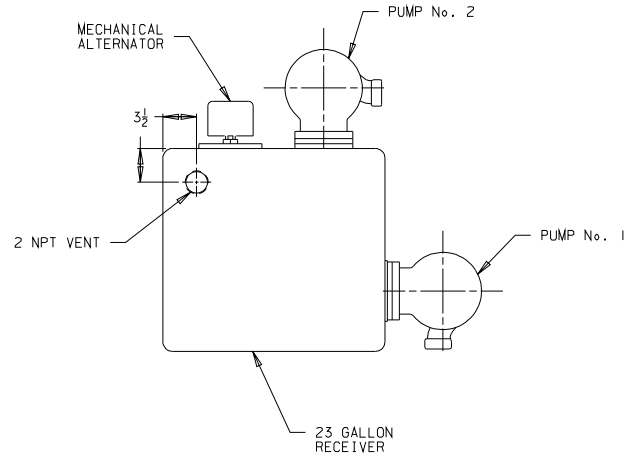
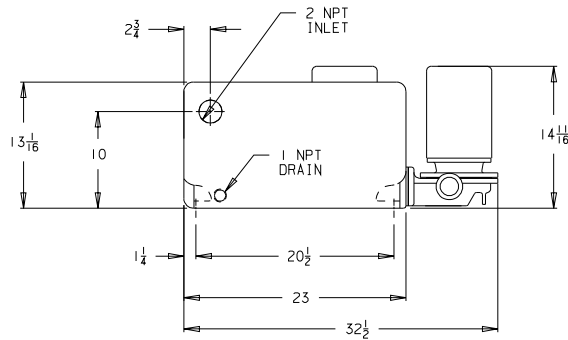
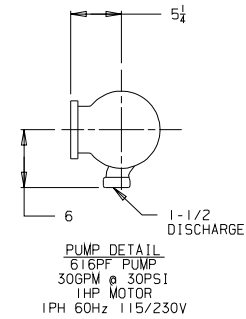


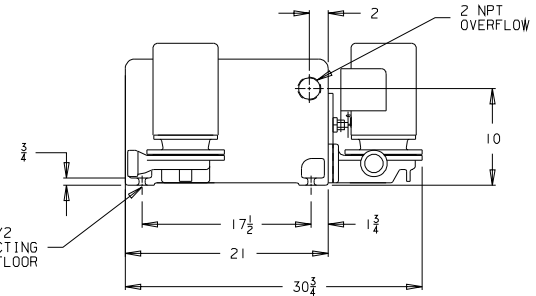
160036



RECEIVER CAPACITY:  
GROSS 23 GALLONS  
NET 16 GALLONS



(4) SLOTS FOR Ø1/2  
MTG. STUDS PROJECTING  
1-1/2 MAX ABOVE FLOOR



THIRD ANGLE PROJECTION



TITLE WATCHMAN ASSY. 23 GAL.

DWG. NO. 160036

MAT'L 23 GAL C.I. RECEIVER

"THIS DRAWING AND THE INFORMATION DEPICTED THEREIN IS THE PROPERTY OF XYLEM. COPIES ARE ISSUED IN STRICT CONFIDENCE AND SHALL NOT BE REPRODUCED OR COPIED, OR USED AS THE BASIS FOR THE MANUFACTURE OR SALE OF PRODUCTS WITHOUT PRIOR WRITTEN PERMISSION OF XYLEM."

2	ECO 23631	02/13	LNT	JC	
1	ECO 19875	2/14/03	TN		WK
	REVISION	DATE	BY	CKD.	APP.

DWN.	DATE.	CKD.	DATE.	SCALE
TN	2/12/03			NONE
TOLERANCES UNLESS OTHERWISE SPECIFIED:				
X.X ±	X.XX ±	X.XXX ±	X.XXXX ±	ANGLE ±
				FRAC. ±
				2°
				1/4

**xylem** Morton Grove, IL USA