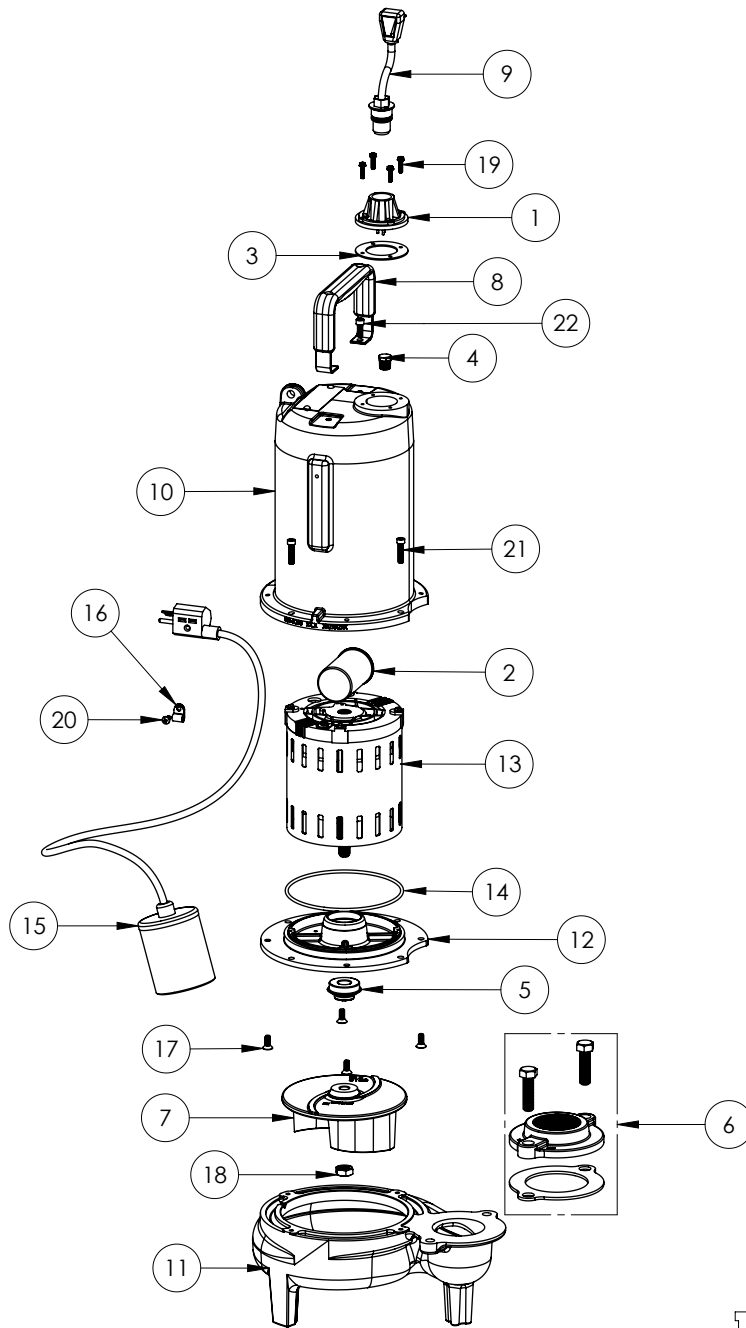


LE102A2

LE102A2 (B71)



Liberty
Pumps

LE102A2**LE102A2 (B71)**

| # | PART # | DESCRIPTION | QTY | Note |
|----|---------|---|-----|------|
| 1 | 5014000 | CORD PLATE | 1 | |
| 2 | 51190F0 | CAPACITOR | 1 | |
| 3 | 5060000 | CORD PLATE GASKET | 1 | |
| 4 | 5071000 | BRASS OIL PLUG | 1 | |
| 5 | K001717 | KIT, 5/8 UNITIZED 5120000 AND LIP SEAL 5860000 | 1 | |
| 6 | K001221 | 2" DISCHARGE KIT | 1 | |
| 7 | K001486 | 5131000 IMPELLER KIT, INCLUDES 1/2" JAM NUT | 1 | |
| 8 | 3411200 | HANDLE | 1 | |
| 9 | K001058 | POWER CORD, 10FT. 230V | 1 | |
| 10 | 531400R | MOTOR COVER | 1 | [1] |
| 11 | 531500R | VOLUTE HOUSING | 1 | |
| 12 | 53260AR | MOTOR PLATE | 1 | |
| 13 | 5343200 | MOTOR 1HP 230V ADDFULL (KIT, MTR REPLACE K001820) | 1 | |
| 14 | 5617000 | O-RING | 1 | |
| 15 | K001019 | 61140A0 PUMP SWITCH, 10' 230V, INCLUDES MOUNTING HARDWARE | 1 | |
| 16 | 8067000 | CABLE CLAMP | 1 | |
| 17 | 8018000 | 1/4-20 x 5/8 SLOTTED FLAT HEAD BOLT | 4 | |
| 18 | 8046000 | 1/2-20 HEX STAINLESS STEEL JAM NUT | 1 | |
| 19 | 8064000 | #8-32 x 5/8 HEX WASHER HEAD SCREW | 4 | |
| 20 | 8082000 | #10-24 x 3/8 EPOXY LOCK SCREW | 1 | |
| 21 | 8091000 | 1/4-20 x 1 HEX SOCKET HEAD BOLT | 4 | |
| 22 | 8103000 | SCREW 1/4-20x5/8" HX SKT SS | 2 | |

PART NOTES:

[1] - Part requires factory authorized service. Contact Liberty Pumps at 1-800-543-2550