



GSD SERIES

SUBMERSIBLE, CAST IRON SEWAGE PUMPS

APPLICATIONS

Specially designed for:

- Residential sewage systems
- Water transfer
- Heavy duty sump/dewatering

FEATURES

- Premium mechanical seal design provides superior protection against sand and abrasive damage (silicon carbide/silicon carbide)
- Cast iron motor housing and oil filled construction for optimal heat dissipation
- Cast iron recessed vortex impeller for durable performance
- Corrosion resistant stainless steel (300 series) motor shaft and hardware for lifetime use
- Reliable mechanical switch coupled with a solid float for consistent on and off operation (automatic version)
- Built in anti-siphon hole to prevent air locking
- Engineered motor designed for peak hydraulic performance without overloading
- Approved for residential use (CSA/CUS listed)
- One (1) year Goulds Water Technology warranty/
Three (3) year GPDA warranty

SPECIFICATIONS

Motor

| | |
|-------------------|--|
| Horse Power | .5 hp |
| Voltage | 115V |
| Phase | Single |
| Hertz | 60 Hz |
| Type | Permanent split capacitor (PSC) |
| Insulation | Class B |
| Maximum Amps | 8.74 amps |
| Mechanical Switch | CSA/UL listed 15A/125V - automatic version |
| Circuit Breaker | 15A |

Pump

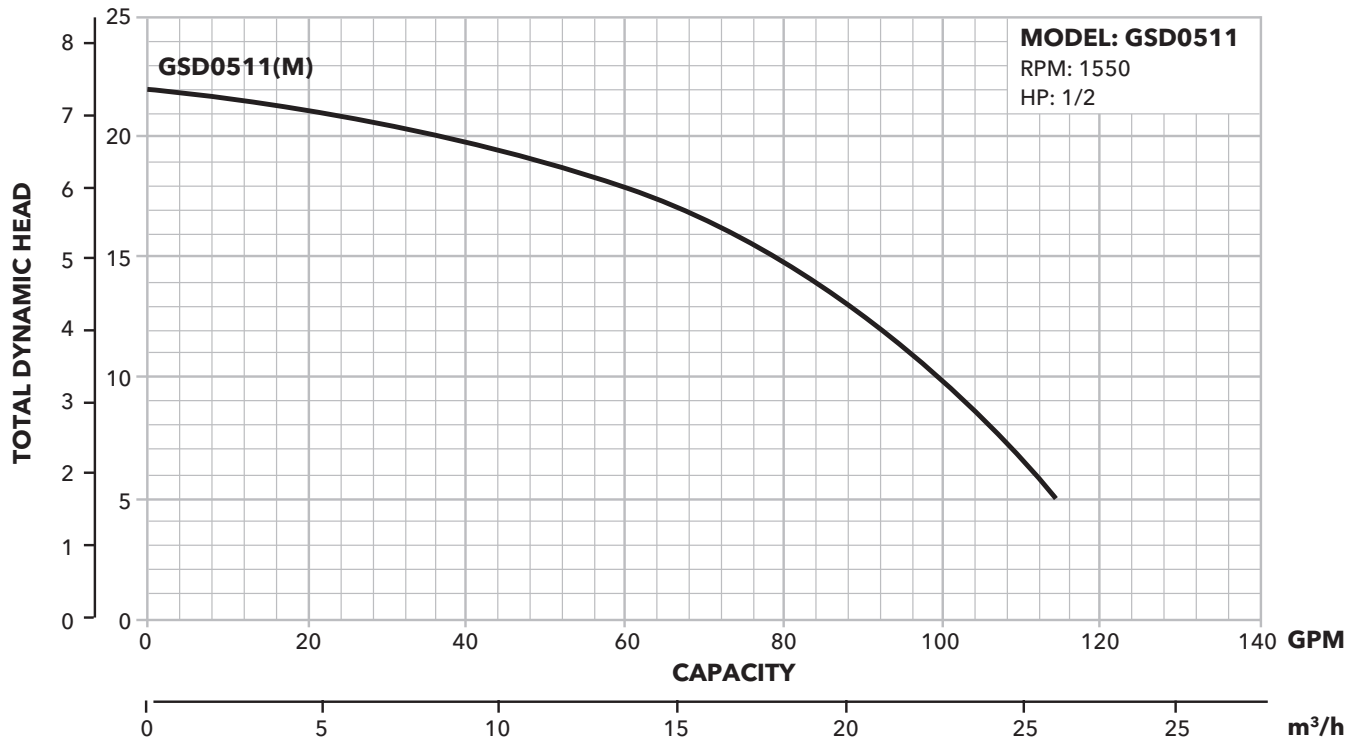
| | |
|---------------------|---|
| Operation | Automatic or Manual |
| Auto On/Off Points | 12" on / 4" off |
| Discharge Size | 2" NPT |
| Solids Handling | 2" spherical solids |
| Cord Length/Type | 20' SJTW power cord with NEMA grounded plug |
| Maximum Head | 22' |
| Maximum Flow Rate | 115 gpm (5 ft head) |
| Max. Operating Temp | 129 °F |
| Cooling | Oil-filled |
| Motor Protection | Auto reset thermal overload |

Materials

| | |
|--------------------|----------------------------------|
| Motor Housing | Cast iron |
| Pump Housing | Cast iron |
| Base | Cast iron |
| Upper Bearing | Oil-fed |
| Lower Bearing | Oil-fed |
| Mechanical Seals | Silicon carbide/Silicon carbide |
| Impeller Type | Recessed vortex |
| Impeller | Cast iron |
| Hardware | Stainless steel (300 series) |
| Motor Shaft | Stainless steel (300 series) |
| Gasket and O-ring | BUNA-N |
| Float | Solid construction |
| Minimum Basin Size | 10.5" diameter |
| Handle | Stainless steel |
| Height | 15" |
| Width | 10.5" |
| Weight | 45 lbs automatic / 44 lbs manual |

PERFORMANCE CURVES

METERS FEET

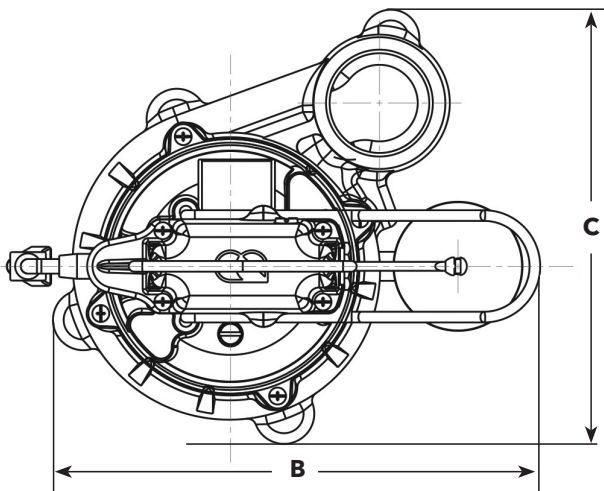
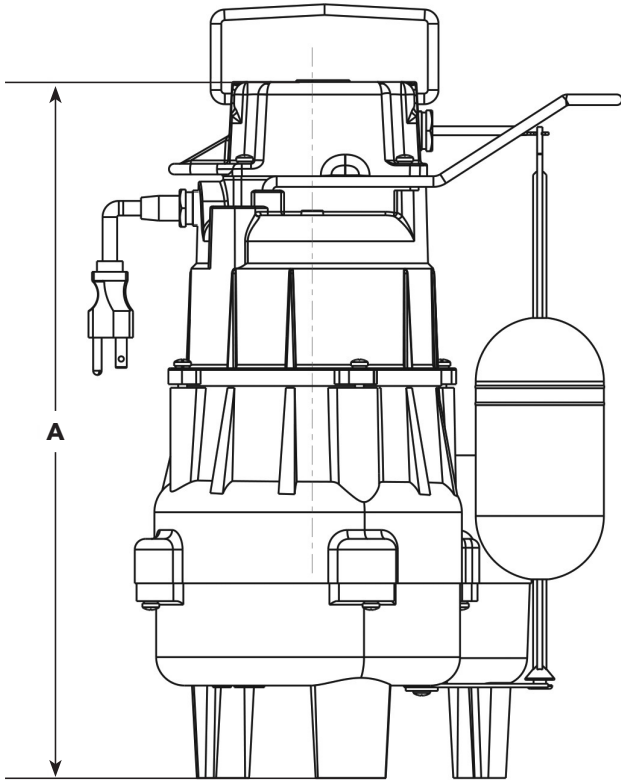


MODEL INFORMATION

| Model Series | Part No. | Operation | HP | Volts | Phase | Discharge | Turn On | Turn Off | Housing | Weight |
|--------------|----------|-----------|-----|-------|-------|-----------|---------|----------|-----------|--------|
| GSD | GSD0511 | Automatic | 0.5 | 115 | 1 | 2" NPT | 12" | 4" | Cast iron | 45 |
| GSD | GSD0511M | Manual | 0.5 | 115 | 1 | 2" NPT | - | - | Cast iron | 44 |

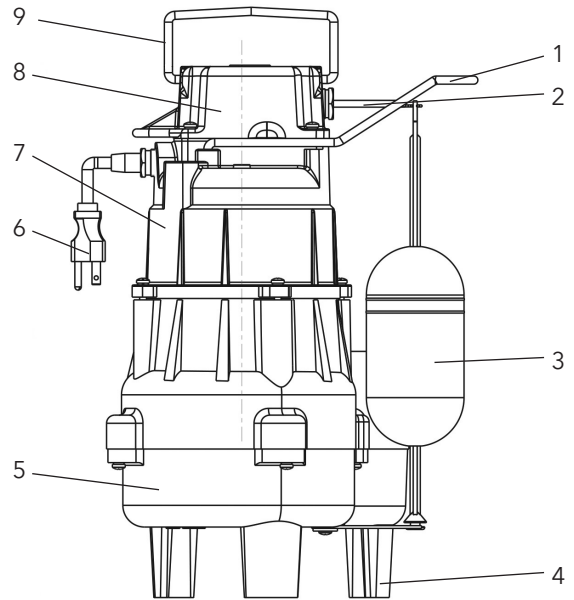
DIMENSIONS

| | A | B | C |
|----------|-------|-------|------|
| GSD0511 | 15.4" | 10.8" | 9.6" |
| GSD0511M | 15.4" | 9.6" | 9.6" |



COMPONENTS

| Item No. | Description |
|----------|---------------------------|
| 1 | Float Bracket |
| 2 | Float Rod |
| 3 | Float |
| 4 | Base |
| 5 | Seal Housing |
| 6 | Plug |
| 7 | Motor Dome |
| 8 | Mechanical Switch Housing |
| 9 | Handle |



xylem
Let's Solve Water

Xylem Inc.
Phone: (866) 325-4210
Fax: (888) 322-5877
www.xylem.com/goulds

Goulds is a registered trademark of Goulds Pumps, Inc. and is used under license.
© 2020 Xylem Inc. BGSD May 2020