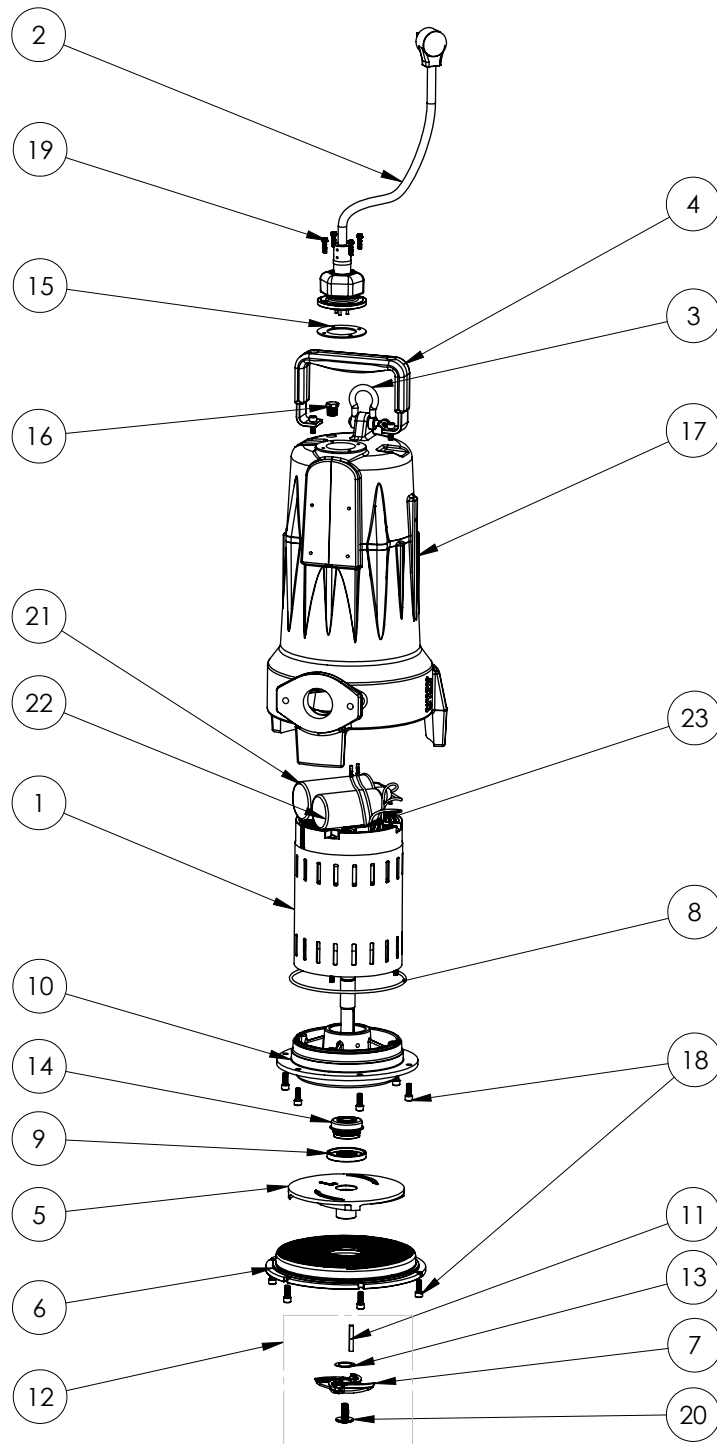


LSG202M (B48)



**LSG202M**

**LSG202M (B48)**

| <b>#</b> | <b>PART #</b> | <b>DESCRIPTION</b>                        | <b>QTY</b> | <b>Note</b> |
|----------|---------------|---|------------|-------------|
| 1        | 5601000       | MOTOR 2HP 230V (KIT, MTR REPLACE K001666) | 1          | [1]         |
| 2        | K001140       | POWER CORD                                | 1          |             |
| 3        | 5611000       | SHACKLE                                   | 1          |             |
| 4        | 5613000       | HANDLE                                    | 1          |             |
| 5        | K001538       | GRINDER IMPELLER KIT                      | 1          |             |
| 6        | 5615000       | CUTTER PLATE                              | 1          |             |
| 7        | 5616900       | ROTARY CUTTER                             | 1          |             |
| 8        | 5617000       | O-RING                                    | 1          |             |
| 9        | 5618000       | DOUBLE LIP SEAL                           | 1          |             |
| 10       | 5632000       | MOTOR PLATE                               | 1          | [2]         |
| 11       | 56350A0       | KEY 3/16 X 1.32 SS                        | 1          |             |
| 12       | K001139       | ROTARY CUTTER KIT                         | 1          | [3]         |
| 13       | K001445       | ROTARY CUTTER SHIM KIT                    | 1          |             |
| 14       | 5633000       | 3/4" UNITIZED SHAFT SEAL                  | 1          | [2]         |
| 15       | 5060000       | CORD PLATE GASKET                         | 1          |             |
| 16       | 5071000       | BRASS OIL PLUG                            | 1          |             |
| 17       | 560000R       | OMNIVORE HOUSING                          | 1          |             |
| 18       | 8103000       | SCREW 1/4-20x5/8" HX SKT SS               | 14         |             |
| 19       | 8064000       | #8-32 x 5/8 HEX WASHER HEAD SCREW         | 4          |             |
| 20       | 56360A0       | FLANGED IMPELLER BOLT                     | 1          |             |
| 21       | K001228       | RUN CAPACITOR                             | 1          |             |
| 22       | K001227       | START CAPACITOR                           | 1          |             |
| 23       | K001229       | START SWITCH                              | 1          |             |

**PART NOTES:**

- [1] - Part requires factory authorized service. Contact Liberty Pumps at 1-800-543-2550  
Part requires factory authorized service. Contact Liberty Pumps at 1-800-543-2550
- [2] - Part requires factory authorized service. Contact Liberty Pumps at 1-800-543-2550
- [3] - ForLSG GrinderCutter Replacment Instructions see LSG Grinder Cutter Replacement