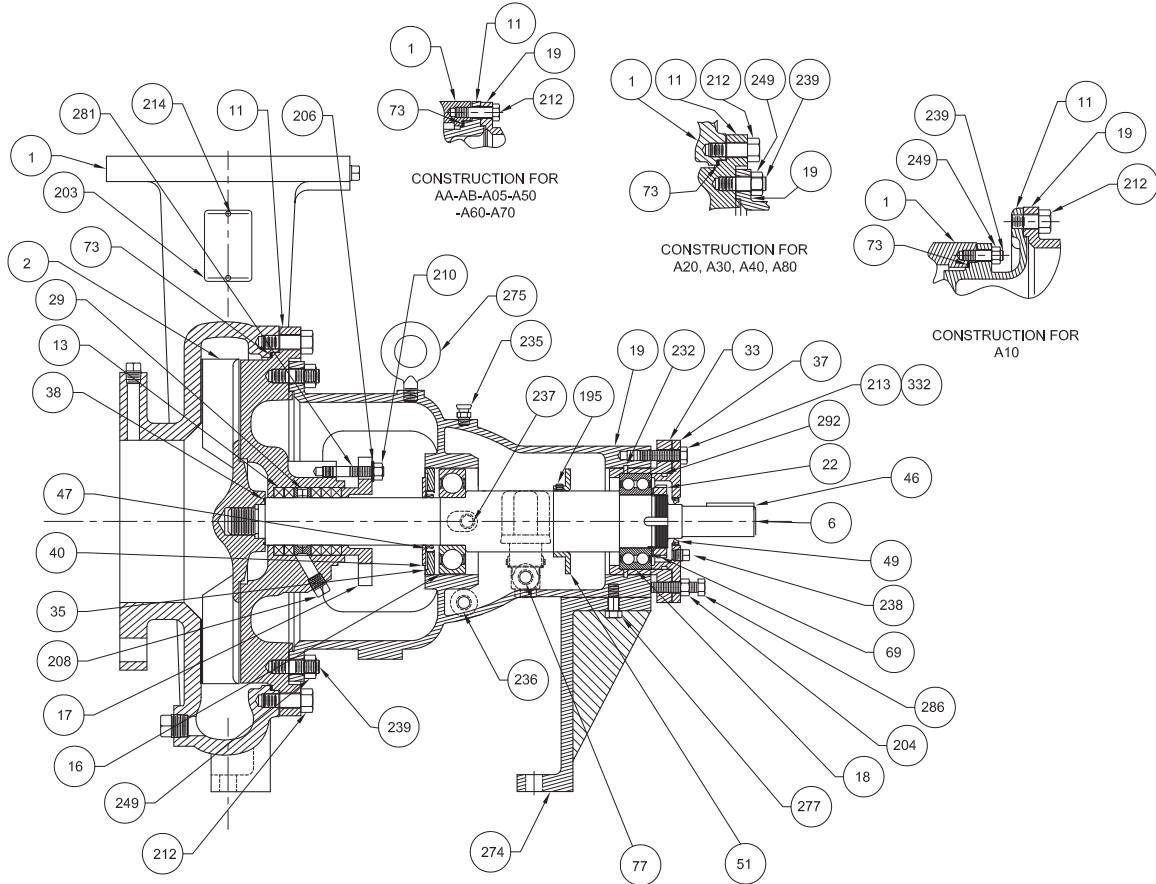


Fig. 3060 Series End Suction Centrifugal Pumps  
Assembly and Parts List Oil Lubricated Construction



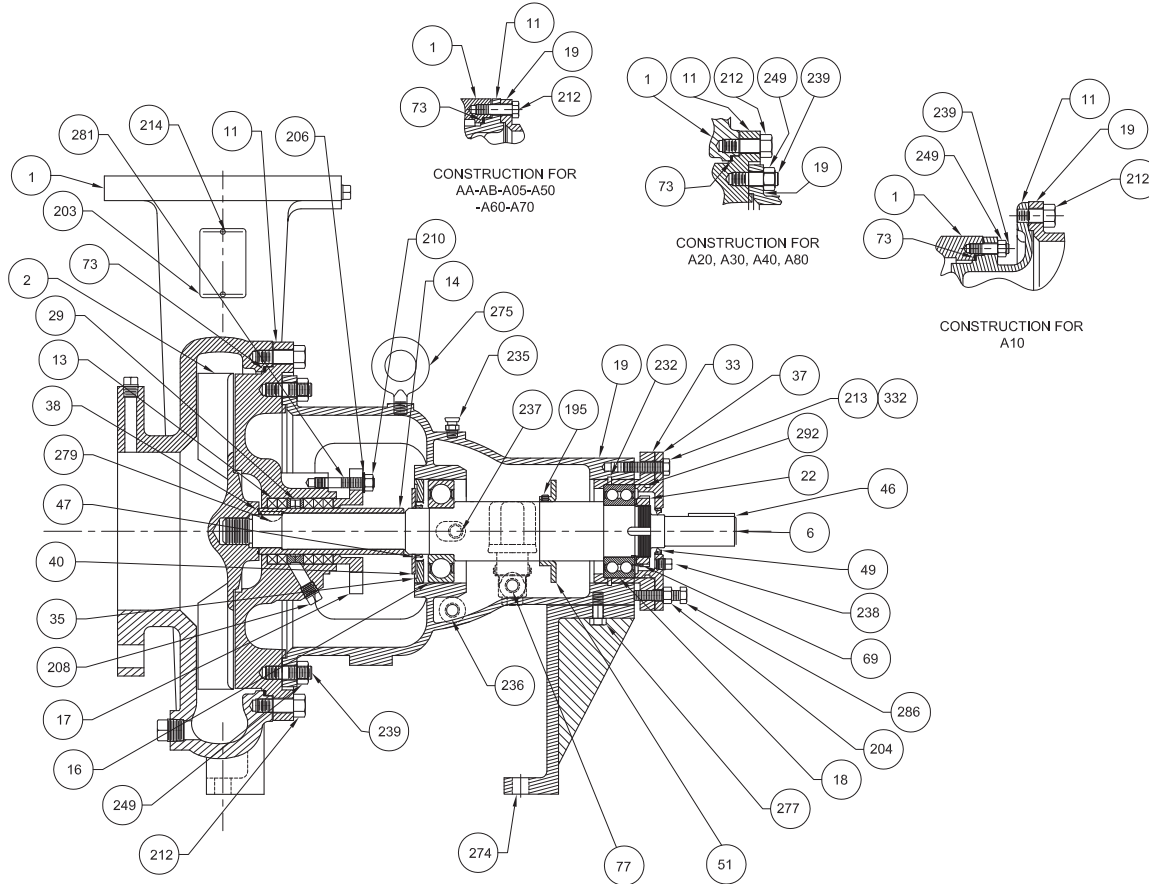
**WARNING:**  
CANCER AND REPRODUCTIVE HARM -  
WWW.P65WARNINGS.CA.GOV

Item No.	Name of Part	Item No.	Name of Part	Item No.	Name of Part
1	Casing	*47	Bearing Cover Seal (Inboard)	235	Breather
2	Impeller	*49	Bearing Cover Seal (Outboard)	236	Pipe Plug
6	Pump Shaft	51	Oil Slinger	237	Pipe Plug
11	Packing Box Cover	*69	Bearing Lock Washer	238	Pipe Plug
*13	Packing	*73	Casing Gasket	239	Stud
*16	Ball Bearing (Inboard)	77	Lubricator	249	Hex Nut
17	Split Gland	195	Set Screw		
*18	Ball Bearing (Outboard)			274	Frame Foot
19	Frame	203	Name Plate	275	Lifting Ring
22	Bearing Lock Nut	204	Adjusting Lock Nut		
*29	Lantern Ring	206	Split Gland Clip	277	Cap Screws
33	Bearing Housing (Outboard)	208	Pipe Plug	281	Gland Stud
35	Bearing Cover (Inboard)	210	Hex Nut	286	Jack Screw (Breathing Cover)
37	Bearing Cover (Outboard)	212	Cap Screw	292	"O" Ring (Bearing Cover)
*38	Shaft Gasket	213	Cap Screw	293	Bearing Name Plate (Not Shown)
40	Deflector	214	Drive Screw	278	Caution Label (Not Shown)
46	Coupling Key	*232	"O" Ring	332	Cap Screw

\* Recommended spare parts

**Repair Parts**

Fig. 3060 Series End Suction Centrifugal Pumps  
Assembly and Parts List Oil Lubricated Construction - with Shaft Sleeve



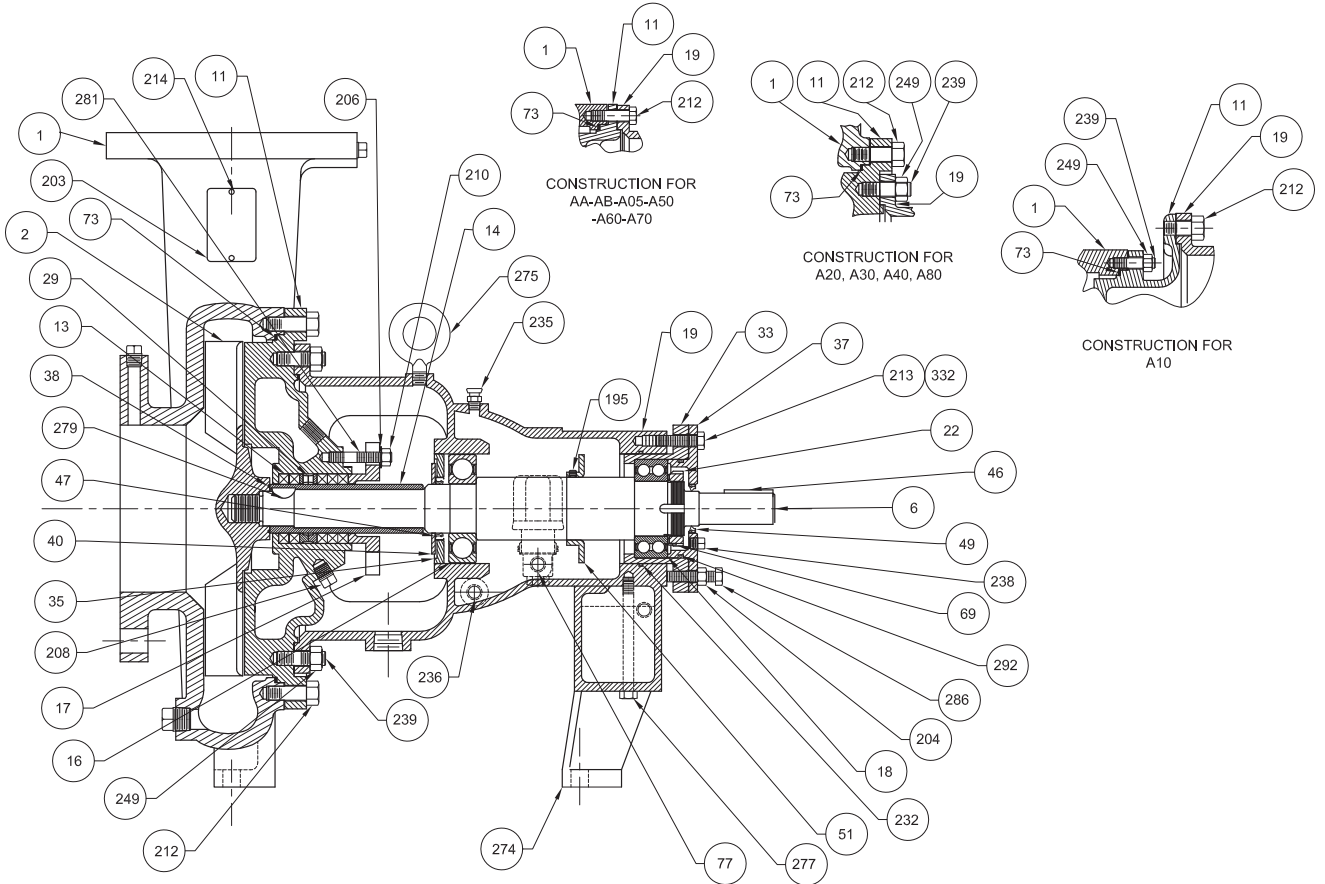
**WARNING:**  
CANCER AND REPRODUCTIVE HARM -  
WWW.P65WARNINGS.CA.GOV

Item No.	Name of Part	Item No.	Name of Part	Item No.	Name of Part
1	Casing	*47	Bearing Cover Seal (Inboard)	235	Breather
2	Impeller	*49	Bearing Cover Seal (Outboard)	236	Pipe Plug
6	Pump Shaft	51	Oil Slinger	237	Pipe Plug
11	Packing Box Cover	*69	Bearing Lock Washer	238	Pipe Plug
*13	Packing	*73	Casing Gasket	239	Stud
*14	Shaft Sleeve	77	Lubricator	249	Hex Nut
*16	Ball Bearing (Inboard)	195	Set Screw	274	Frame Foot
17	Split Gland			275	Lifting Ring
*18	Ball Bearing (Outboard)	203	Name Plate		
19	Frame	204	Adjusting Lock Nut		
22	Bearing Lock Nut	206	Split Gland Clip		
*29	Lantern Ring	208	Pipe Plug		
33	Bearing Housing (Outboard)	210	Hex Nut		
35	Bearing Cover (Inboard)	212	Cap Screw	*279	Shaft Sleeve Key
37	Bearing Cover (Outboard)	213	Cap Screw	281	Gland Stud
*38	Shaft Gasket	214	Drive Screw	286	Jack Screw (Breathing Cover)
40	Deflector	*232	"O" Ring	292	"O" Ring (Bearing Cover)
46	Coupling Key			293	Bearing Name Plate (Not Shown)
				332	Cap Screw

\* Recommended spare parts

### Repair Parts

Fig. 3060 Series End Suction Centrifugal Pumps  
 Assembly and Parts List Water Jacketed - Oil Lubricated Construction with Shaft Sleeve



**WARNING:**  
 CANCER AND REPRODUCTIVE HARM -  
 WWW.P65WARNINGS.CA.GOV

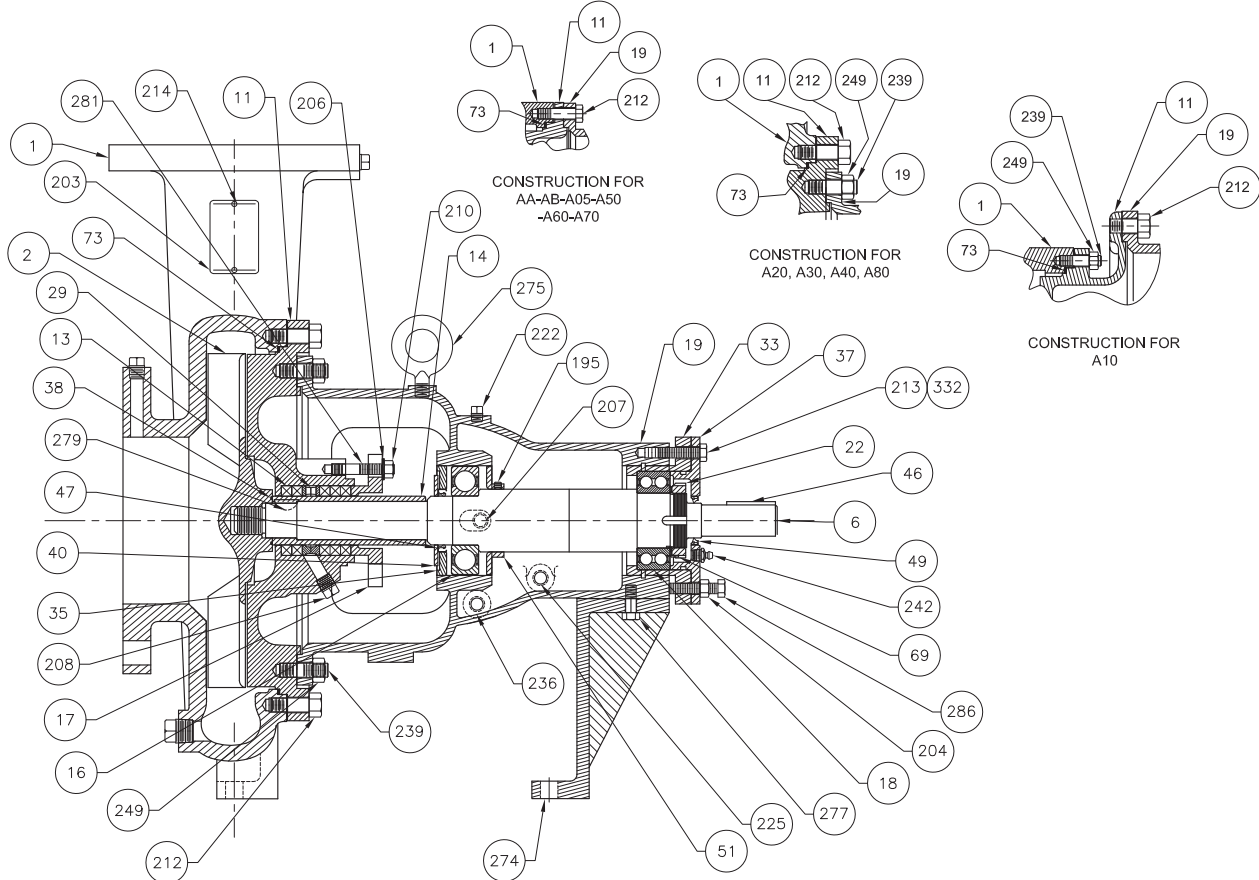
Item No.	Name of Part	Item No.	Name of Part	Item No.	Name of Part
1	Casing	*47	Bearing Cover Seal (Inboard)	235	Breather
2	Impeller	*49	Bearing Cover Seal (Outboard)	236	Pipe Plug
6	Pump Shaft	51	Oil Slinger	237	Pipe Plug
11	Packing Box Cover	*69	Bearing Lock Washer	238	Pipe Plug
*13	Packing	*73	Casing Gasket	239	Stud
*14	Shaft Sleeve	77	Lubricator	249	Hex Nut
*16	Ball Bearing (Inboard)	195	Set Screw		
17	Split Gland			274	Frame Foot
*18	Ball Bearing (Outboard)	203	Name Plate	275	Lifting Ring
19	Frame	204	Adjusting Lock Nut	277	Cap Screws
22	Bearing Lock Nut	206	Split Gland Clip	278	Caution Label (Not Shown)
*29	Lantern Ring	208	Pipe Plug	*279	Shaft Sleeve Key
33	Bearing Housing (Outboard)	210	Hex Nut	281	Gland Stud
35	Bearing Cover (Inboard)	212	Cap Screw	286	Jack Screw (Breathing Cover)
37	Bearing Cover (Outboard)	213	Cap Screw	292	"O" Ring (Bearing Cover)
*38	Shaft Gasket	214	Drive Screw	293	Bearing Name Plate (Not Shown)
40	Deflector	*232	"O" Ring	332	Cap Screw

\* Recommended spare parts



**Repair Parts**

Fig. 3060 Series End Suction Centrifugal Pumps  
Assembly and Parts List Grease Lubricated Construction



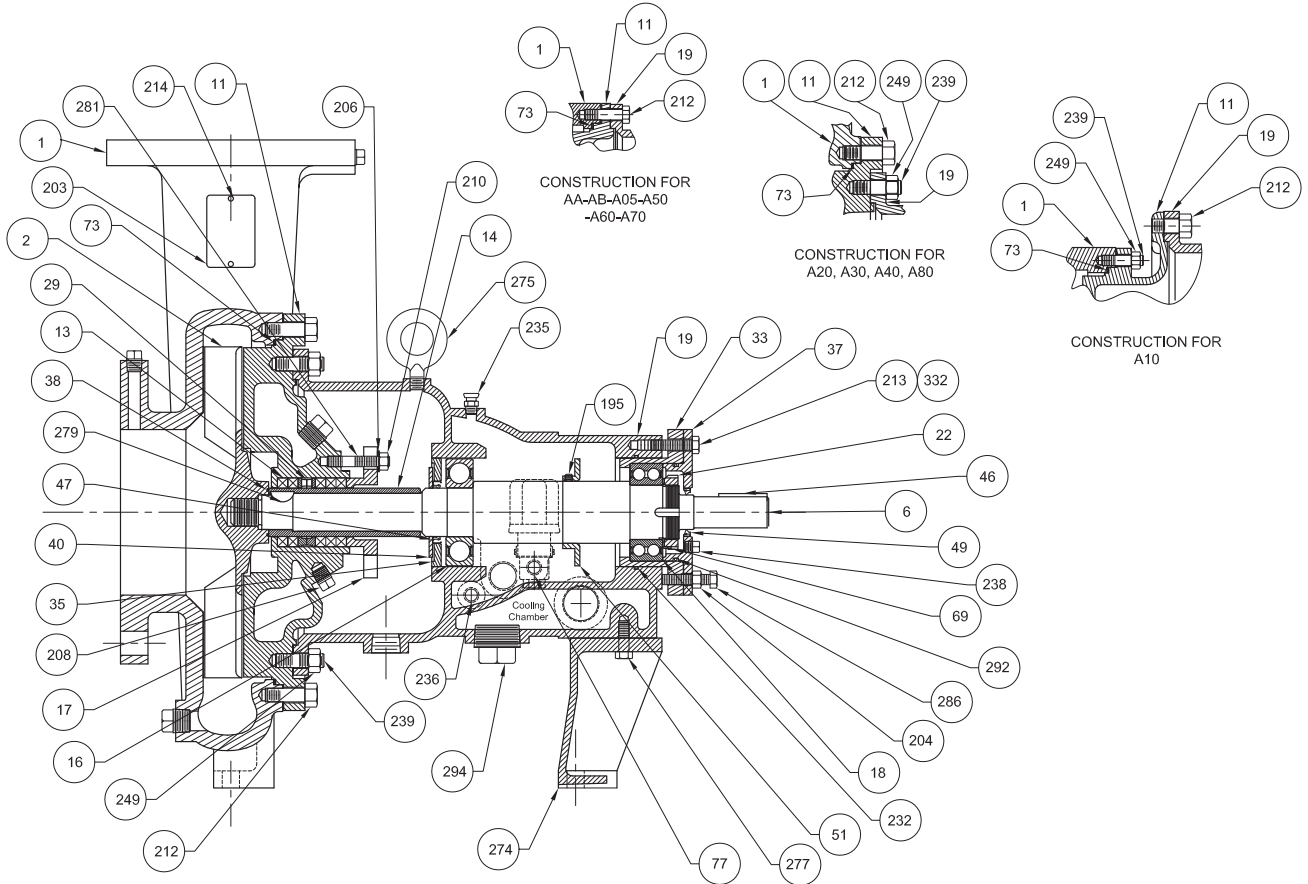
**WARNING:**  
CANCER AND REPRODUCTIVE HARM -  
WWW.P65WARNINGS.CA.GOV

Item No.	Name of Part	Item No.	Name of Part	Item No.	Name of Part
1	Casing	46	Coupling Key	222	Pipe Plug
2	Impeller	*47	Bearing Cover Seal (Inboard)	225	Pipe Plug
6	Pump Shaft	*49	Bearing Cover Seal (Outboard)	236	Pipe Plug
11	Packing Box Cover	51	Oil Slinger	239	Stud
*13	Packing	*69	Bearing Lock Washer	242	Grease Fitting
*14	Shaft Sleeve	*73	Casing Gasket	249	Hex Nut
*16	Ball Bearing (Inboard)	195	Set Screw		
17	Split Gland			274	Frame Foot
*18	Ball Bearing (Outboard)	203	Name Plate	275	Lifting Ring
19	Frame	204	Adjusting Lock Nut		
22	Bearing Lock Nut	206	Split Gland Clip	277	Cap Screws
*29	Lantern Ring	207	Grease Fitting	278	Caution Label (Not Shown)
33	Bearing Housing (Outboard)	208	Pipe Plug	*279	Shaft Sleeve Key
35	Bearing Cover (Inboard)	210	Hex Nut	281	Gland Stud
37	Bearing Cover (Outboard)	212	Cap Screw	286	Jack Screw (Breathing Cover)
*38	Shaft Gasket	213	Cap Screw	293	Bearing Name Plate (Not Shown)
40	Deflector	214	Drive Screw	332	Cap Screw

\* Recommended spare parts

Fig. 3060 Series End Suction Centrifugal Pumps

Assembly and Parts List Water Jacketed - Oil Lubricated Construction High Temp Frame with Shaft Sleeve



**WARNING:**  
 CANCER AND REPRODUCTIVE HARM -  
 WWW.P65WARNINGS.CA.GOV

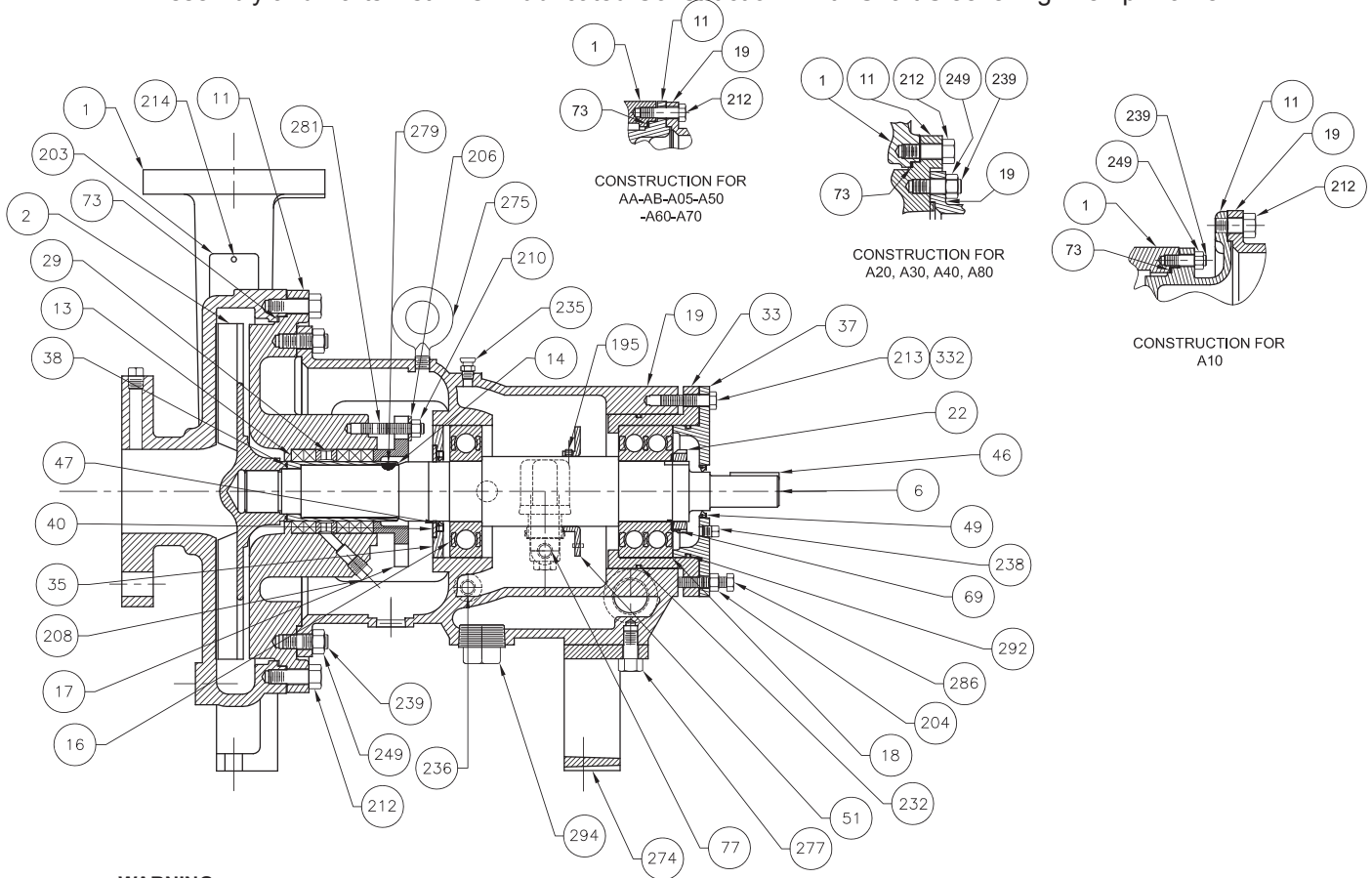
Item No.	Name of Part	Item No.	Name of Part	Item No.	Name of Part
1	Casing	*47	Bearing Cover Seal (Inboard)	235	Breather
2	Impeller	*49	Bearing Cover Seal (Outboard)	236	Pipe Plug
6	Pump Shaft	51	Oil Slinger	238	Pipe Plug
11	Packing Box Cover	*69	Bearing Lock Washer	239	Stud
*13	Packing	*73	Casing Gasket	249	Hex Nut
*14	Shaft Sleeve	77	Lubricator		
*16	Ball Bearing (Inboard)	195	Set Screw	274	Frame Foot
17	Split Gland			275	Lifting Ring
*18	Ball Bearing (Outboard)	203	Name Plate	277	Cap Screws
19	Frame	204	Adjusting Lock Nut	278	Caution Label (Not Shown)
22	Bearing Lock Nut	206	Split Gland Clip	*279	Shaft Sleeve Key
*29	Lantern Ring	208	Pipe Plug	281	Gland Stud
33	Bearing Housing (Outboard)	210	Hex Nut	286	Jack Screw (Breathing Cover)
35	Bearing Cover (Inboard)	212	Cap Screw	292	"O" Ring (Bearing Cover)
37	Bearing Cover (Outboard)	213	Cap Screw	293	Bearing Name Plate (Not Shown)
*38	Shaft Gasket	214	Drive Screw	294	Pipe Plug
40	Deflector	*232	"O" Ring	332	Cap Screw
46	Coupling Key				

\* Recommended spare parts



**Repair Parts**

Fig. 3060 Series End Suction Centrifugal Pumps  
Assembly and Parts List Oil Lubricated Construction - with Shaft Sleeve High Temp Frame



**WARNING:**  
CANCER AND REPRODUCTIVE HARM -  
WWW.P65WARNINGS.CA.GOV

Item No.	Name of Part	Item No.	Name of Part	Item No.	Name of Part
1	Casing	*47	Bearing Cover Seal (Inboard)	235	Breather
2	Impeller	*49	Bearing Cover Seal (Outboard)	236	Pipe Plug
6	Pump Shaft	51	Oil Slinger	238	Pipe Plug (Not Shown)
11	Packing Box Cover	*69	Bearing Lock Washer	239	Stud
*13	Packing	*73	Casing Gasket	249	Hex Nut
*14	Shaft Sleeve	77	Lubricator		
*16	Ball Bearing (Inboard)	195	Set Screw	274	Frame Foot
17	Split Gland			275	Lifting Ring
*18	Ball Bearing (Outboard)	203	Name Plate		
19	Frame	204	Adjusting Lock Nut	277	Cap Screws
22	Bearing Lock Nut	206	Split Gland Clip	278	Caution Label (Not Shown)
*29	Lantern Ring	208	Pipe Plug	*279	Shaft Sleeve Key
33	Bearing Housing (Outboard)	210	Hex Nut	281	Gland Stud
35	Bearing Cover (Inboard)	212	Cap Screw	286	Jack Screw (Breathing Cover)
37	Bearing Cover (Outboard)	213	Cap Screw	292	"O" Ring (Bearing Cover)
*38	Shaft Gasket	214	Drive Screw	293	Bearing Name Plate (Not Shown)
40	Deflector	*232	"O" Ring	294	Pipe Plug
46	Coupling Key			332	Cap Screw

\* Recommended spare parts

**Repair Parts**

Item	Please Order By the Part No.  Name and Description	AA-6 1½ x 1 x 6		AB-6 3 x 1½ x 6		AA-8 1½ x 1 x 8		AB-8 3 x 1½ x 8	
		Part No.	Drawing No.	Part No.	Drawing No.	Part No.	Drawing No.	Part No.	Drawing No.
1	Casing - 150 lb. F.F. Flange Ductile Iron 316 SS Alloy 20 SS	0056049 0056053 0056055	42061 42061 42061	0056075 0056079 0056081	42072 42072 42072	0097790 0097792 0097794	42038 42038 42038	0097806 0097808 0097810	42051 42051 42051
2	Impeller Cast Iron 316 SS Alloy 20 SS	0056303 0056287 0056289	27232 27232 27232	0056329 0056313 0056315	27234 27234 27234	0094471 0097796 0097798	34788 34788 34788	0095670 0097812 0097814	34830 34830 34830
6	Shaft (Solid Type) SAE 4140 Steel 316 SS Carp. 20 SS	0057283 0057285 0057286	27316 27316 27316	0057283 0057285 0057286	27316 27316 27316	0057283 0057285 0057286	27316 27316 27316	0057283 0057285 0057286	27316 27316 27316
6A	Shaft (Sleeve Type) - New Style SAE 4140 Steel 316 SS Carp. 20 SS	0094634 0094700 0094774	28684 28684 28684	0094634 0094700 0094774	28684 28684 28684	0094634 0094700 0094774	28684 28684 28684	0094634 0094700 0094774	28684 28684 28684
11	Packing Box Cover - Standard Ductile iron 316 SS Alloy 20 SS	0056572 0056576 0056578	33626 33626 33626	0056572 0056576 0056578	33626 33626 33626	0097800 0097802 0097804	34791 34791 34791	0097800 0097802 0097804	34791 34791 34791
11	Packing Box Cover (Water Jacketed) Fab. Steel 316 SS Alloy 20 SS	0099944 POA POA	34947 - -	0099944 POA POA	34947 - -	- - -	- - -	- - -	- - -
* 13	Stuff. Box Packing Rings (5 Req'd) GAR 8913 JC1335 Pure Teflon Fibre Graphite Filament	0030713 0057153 0063453 0063451	- - - -	0030713 0057153 0063453 0063451	- - - -	0030713 0057153 0063453 0063451	- - - -	0030713 0057153 0063453 0063451	- - - -
* 14	Shaft Sleeve - Long - New Style 316 SS Alloy 20 SS 440C SS - Hardened	0094635 0094702 0094708	120-934 120-934 120-934	0094635 0094702 0094708	120-934 120-934 120-934	0094635 0094702 0094708	120-934 120-934 120-934	0094635 0094702 0094708	120-934 120-934 120-934
* 14A	Shaft Sleeve - Long - Old Style 316 SS Alloy 20 SS 440C SS - Hardened	0057306 0057308 0057307	118-767 118-767 118-767	0057306 0057308 0057307	118-767 118-767 118-767	0057306 0057308 0057307	118-767 118-767 118-767	0057306 0057308 0057307	118-767 118-767 118-767
* 16	Ball Bearing - 3207 - Inboard - Radiant	0003314	-	0003314	-	0003314	-	0003314	-
17	Split Stuff. Box Gland Ductile Iron Alloy 20 SS	0057000 0057009	118-075 118-075	0057000 0057009	118-075 118-075	0057000 0057009	118-075 118-075	0057000 0057009	118-075 118-075
17A	Stuffing Gland Ductile Iron Alloy 20 SS	0058823 0058826	27132 27132	0058823 0058826	27132 27132	0058823 0058826	27132 27132	0058823 0058826	27132 27132
* 18	Ball Bearing - 5206 WLIA Outboard - Thrust	0003306	-	0003306	-	0003306	-	0003306	-
19	Frame Only - Cast Iron - Std.	0056936	41324	0056936	41324	0056936	41324	0056936	41324
19A	Frame Only - Hi-Temp.	0077203	41532	0077203	41532	0077203	41532	0077203	41532
22	Bearing Locknut - Steel	0003304	-	0003304	-	0003304	-	0003304	-
* 29	Lantern Ring - Teflon (half - 2 req'd)	0076639	119-511	0076639	119-511	0076639	119-511	0076639	119-511

NOTE: 1: All packing assembly parts are for pumps with packed stuffing box.  
 2: For Information and prices on Mechanical Seals, refer to Price Pages 3060.  
 3: Pump Serial Number must be furnished when ordering repair parts.

POA - Price on Application  
 \* Recommended spare parts



**Repair Parts**

Item	Please Order By the Part No.  Name and Description	AA-6 1½ x 1 x 6		AB-6 3 x 1½ x 6		AA-8 1½ x 1 x 8		AB-8 3 x 1½ x 8	
		Part No.	Drawing No.	Part No.	Drawing No.	Part No.	Drawing No.	Part No.	Drawing No.
33	Bearing Housing - O.B. - New Style	0100811	28570	0100811	28570	0100811	28570	0100811	28570
35	Bearing Cover I.B. C.I	0058172	118-809	0058172	118-809	0058172	118-809	0058172	118-809
37	Bearing Cover - O.B. - New Style	0100813	28571	0100813	28571	0100813	28571	0100813	28571
* 38	Shaft Gasket ("O" Ring) Teflon Coated Buna	0057226	-	0057226	-	0057226	-	0057226	-
40	Deflector - Teflon	0058188	118-811	0058188	118-811	0058188	118-811	0058188	118-811
46	Coupling Key - 3/16" Sq. x 1-1/2" - Steel	0002195	-	0002195	-	0002195	-	0002195	-
* 47	Bearing Cover Seal - Inboard	0058134	-	0058134	-	0058134	-	0058134	-
* 49	Bearing Cover Seal - Outboard	0058133	-	0058133	-	0058133	-	0058133	-
51	Oil Slinger or Retainer - Bronze	0057262	118-430	0057262	118-430	0057262	118-430	0057262	118-430
* 69	Brg. Lock Washer - Outboard - Steel	0003300	-	0003300	-	0003300	-	0003300	-
* 73	Casing Gasket - Durlon	0120372	118-654	0120372	118-654	0120487	121-006	0120487	121-006
	Casing Gasket - Teflon	0057161	118-654	0057161	118-654	0118081	-	0118081	-
77	Lubricator - For Oil Lube Only	0057697	-	0057697	-	0057697	-	0057697	-
195	Set Screw - For Item 51	0001463	-	0001463	-	0001463	-	0001463	-
* 202	Brg. Snap Ring - Outboard Steel	0058136	-	0058136	-	0058136	-	0058136	-
204	Adjusting Lock Nut - 20N.C. Zinc Plated (3 Req'd)	0059345	-	0059345	-	0059345	-	0059345	-
206	Split Gland Clip - 316 SS (2 Req'd)	0047657	117-918	0047657	117-918	0047657	117-918	0047657	117-918
207	Grease Fitting - 1/8" - For Grease Lube Only	0003131	-	0003131	-	0003131	-	0003131	-
208	Pipe Plug - 1/4" - For Item 11 Iron	0002009	-	0002009	-	0002009	-	0002009	-
	316 SS	0006252	-	0006252	-	0006252	-	0006252	-
	Carp. 20 SS	0012454	-	0012454	-	0012454	-	0012454	-
210	Hex Nut - 3/8" For Item 281 316 SS (2 Req'd)	0006012	-	0006012	-	0006012	-	0006012	-
	Carp. 20 SS (2 Req'd)	0006013	-	0006013	-	0006013	-	0006013	-
212	Cap Screw - 3/8" For Item 19 to 1 Steel (6 Req'd)	0058787	-	0058787	-	0005238	-	0005238	-
	C-20 SS (6 Req'd)	0093571	-	0093571	-	0000401	-	0000401	-
213	Cap Screw - 1/4" x 1-1/4" - Item 37 to 19 Zinc Plated (3 Req'd)	0059629	-	0059629	-	0059629	-	0059629	-
222	Pipe Plug - 1/8" - Zinc Plated - For Grease Lube Only	0002553	-	0002553	-	0002553	-	0002553	-
225	Pipe Plug - 1/4" - Zinc Plated - For Grease Lube Only	0002009	-	0002009	-	0002009	-	0002009	-
* 232	"O" Ring - For Item 19 For Oil Lube Only	0057228	-	0057228	-	0057228	-	0057228	-
235	Breather - 1/8" Alemite - For Oil Lube Only	0039022	-	0039022	-	0039022	-	0039022	-
236	Pipe Plug - 1/4" - Zinc Plated (Not Shown) For Oil Lube Only	0002009	-	0002009	-	0002009	-	0002009	-
237	Pipe Plug - 1/8" - Zinc Plated - For Oil Lube Only	0002553	-	0002553	-	0002553	-	0002553	-
238	Pipe Plug - 1/8" - Zinc Plated - (Not Shown) For Oil Lube Only	0002553	-	0002553	-	0002553	-	0002553	-
242	Grease Fitting - 1/8" - Steel For Grease Lube Only	0003131	-	0003131	-	0003131	-	0003131	-
1 273	Casing Foot - Cast iron	0056966	27291	0056966	27291	1	-	1	-
274	Frame Foot - Standard Cast Iron - Water Cooled - Hi Temp.	0058138 0057234 0077231	118-813 118-774 119-564	0058138 0057234 0077231	118-813 118-774 119-564	0058138 0057234 0077231	118-813 118-774 119-564	0058138 0057234 0077231	118-813 118-774 119-564
275	Lifting Ring - 3/8" x 1/2" - Steel	0058190	-	0058190	-	0058190	-	0058190	-
276	Cap Screw - 3/8" x 7/8" - Item 273 to 1	0003404	-	0003404	-	0003404	-	0003404	-
277	Cap Screw - 3/8" x 1" - Steel - (2 Req'd) For Regular Frame Foot	0000397	-	0000397	-	0000397	-	0000397	-
	Cap Screw - 3/8" x 2" - Steel - (2 Req'd) For Water Cooled Frame Foot	0000408	-	0000408	-	0000408	-	0000408	-

1. Casing foot is cast integral with the casing.

\* Recommended spare parts



**Repair Parts**

Item	Please Order By the Part No.  Name and Description	AA-6 1½ x 1 x 6		AB-6 3 x 1½ x 6		AA-8 1½ x 1 x 8		AB-8 3 x 1½ x 8	
		Part No.	Drawing No.	Part No.	Drawing No.	Part No.	Drawing No.	Part No.	Drawing No.
* 279	Shaft Sleeve Key - SS 1/8" x 1/2" - #3 Woodruff	0003073	-	0003073	-	0003073	-	0003073	-
280	Gasket - 1/16" - Vellumoid For Water Cooled Frame Foot	0057457	-	0057457	-	0057457	-	0057457	-
281	Gland Stud - 3/8" - 316 SS Carp. 20 SS	0021390 0046048	- -	0021390 0046048	- -	0021390 0046048	- -	0021390 0046048	- -
284	2 Req'd with Item 17 4 Req'd with Item 251 Stuffing Gland Ring GAR8913 (Not Shown)	0057231	-	0057231	-	0057231	-	0057231	-
286	Jack Screw (1/4" - 20 x 1" - Cap Screw) Zinc Plated - For item 37 (3 Req'd)	0056929	-	0056929	-	0056929	-	0056929	-
292	"O" Ring for Item 37 For Oil Lube Only	0093225	-	0093225	-	0093225	-	0093225	-
332	Cap Screw - item 37 to 32 1/4" - 20 x 5/8" - (2 Req'd)	0093231	-	0093231	-	0093231	-	0093231	-

**For Pumps Fitted with Mechanical Seal  
Standard Inside Seals, O-Ring or Clamped Stationary Seats**

Item 65 John Crane Single Seals					
Type 1 - O-Ring Mounted		Type 9 - O-Ring Mounted		Type 9 - Clamped	
Seal Code	Part No.	Seal Code	Part No.	Seal Code	Part No.
BF171	0078880	QXF171	0060650	QF171	0060644
BF1C1	0078879	QXF1C1	0060651	QF1C1	0060645
BF191	0078881	QXF191	0060652	QF191	0060646
XF171	0081430	-	-	-	-
XF1C1	0080372	-	-	-	-
Item 65 John Crane Double Seals - O-Ring Mounted					
BF2C1	0045935	QXF171	0076957	-	-
BF191	0060702	QXF1C1	0076958	-	NA
-	-	QXF191	0076959	-	-

For information and prices on Mechanical Seals, refer to Price Pages 3060

Item 251 Seal Gland - For O-Ring Mounted Stationary Seat						
Description	For Type 1 Seal			For Type 9 Seal		
	(1) Standard Part No.	(2) Cooling Part No.	(3) Quench Part No.	(1) Standard Part No.	(2) Cooling Part No.	(3) Quench Part No.
Ductile Iron	0064932	0064932	0064847	0064932	0064932	0064847
Alloy 20	0065185	0065185	0064843	0065185	0065185	0064843

\* Seal Gland Gasket - Part No. 0066339  
Throttle Bushing - Bronze - Part No. 0064816; Carbon - Part No. 0064817

Item 251 Seal Gland - For Clamped Stationary Seat			
Description	For Type 9 Seal		
	(5) Cooling Part No.	(3) Quench Part No.	(4) Plain Part No.
Ductile Iron	0064836	0064839	0066169
Alloy 20	0064834	0064837	0066167

Throttle Bushing - Bronze - Part No. 0064819; Carbon - Part No. 0064820  
Spring Holder - For use with Type 1; Seal - PN - 0077588; Set Screw - (2 Req'd) PN 0078898

1. Includes 2 taps for flushing or lubricating seal
2. Includes 2 taps - may be used for cooling
3. Includes 4 taps for flushing, vent and drain. Require throttle brushing with single seal
4. Plain gland - no taps
5. Includes 2 taps for cooling, flush or lubrication

\* Recommended Spare Parts



**Repair Parts**

**For Pumps Fitted with Mechanical Seal  
Standard Inside Seals, O-Ring or Clamped Stationary Seats**

Please Order By the Part No.

<b>Item 65 Durametalllic Single Seals</b>				
Seal Code	Type RO		Type ROTT	
	O-Ring Mounted Part No.	Clamped Part No.	O-Ring Mounted Part No.	Clamped Part No.
EX5	0060750	0060738	0060762	0060744
EY5	0060748	0060736	0060760	0060742
E55	0060749	0060737	0060761	0060743

<b>Item 65 Durametalllic Double Seals - O-Ring Mounted</b>			
Seal Code	Type CRO	Type RO	Type ROTT
	Part No.	Part No.	Part No.
EX5	0060798	0060804	0060810
EY5	0060796	0060802	0060808
E55	0060797	0060803	0060809

For information and prices on Mechanical Seals, refer to Price Pages 3060

<b>Item 251 Seal Gland - For O-Ring Mounted Stationary Seat</b>						
Description	Type RO & CRO Seal			Type ROTT Seal		
	(1) Standard Part No.	(2) Cooling Part No.	(3) Quench Part No.	(1) Standard Part No.	(2) Cooling Part No.	(3) Quench Part No.
Ductile Iron	0064932	0064932	0064847	0065296	0065296	0066301
Alloy 20	0065185	0065185	0064843	0065299	0065299	0066303

\* Seal Gland Gasket - Part No. 0066339  
Throttle Bushing - Bronze - Part No. 0064816; Carbon - Part No. 0064817

<b>Item 251 Seal Gland - For Clamped Insert</b>			
Description	Type RO & ROTT Seal		
	(4) Plain Part No.	(5) Cooling Part No.	(3) Quench Part No.
Ductile Iron	0066166	0064827	0064830
Alloy 20	0066164	0064825	0064828

Throttle Bushing - Bronze - Part No. 0064819; Carbon - Part No. 0064820

1. Includes 2 taps for flushing or lubricating seal
  2. Includes 2 taps - may be used for cooling
  3. Includes 4 taps for flushing. vent and drain. Require throttle brushing with single seal
  4. Plain gland - no taps
  5. Includes 2 taps for cooling, flush or lubrication
- \* Recommended Spare Parts

**Repair Parts**

Item	Please Order By the Part No.  Name and Description	A20 3 x 1½ x 12		A30 3 x 2 x 12		A40 4 x 3 x 12		A80 6 x 4 x 12	
		Part No.	Drawing No.	Part No.	Drawing No.	Part No.	Drawing No.	Part No.	Drawing No.
1	Casing - 150 lb. F.F. Flange Ductile Iron 316 SS Alloy 20 SS	0056127 0056131 0056133	42073 42073 42073	0056153 0056157 0056159	42074 42074 42074	0056179 0056183 0056185	42075 42075 42075	0061060 0061064 0061066	42076 42076 42076
2	Impeller Cast Iron 316 SS Alloy 20 SS	0056433 0056417 0056419	27252 27252 27252	0056459 0056443 0056445	27240 27240 27240	0056485 0056469 0056471	27242 27242 27242	0059731 0059715 0059717	27412 27412 27412
6	Shaft (Solid Type) SAE 4140 Steel 316 SS Carp. 20 SS	0057263 0057265 0057266	33690 33690 33690	0057263 0057265 0057266	33690 33690 33690	0057263 0057265 0057266	33690 33690 33690	0057263 0057265 0057266	33690 33690 33690
6A	Shaft (Sleeve Type) - New Style SAE 4140 Steel 316 SS Carp. 20 SS	0094632 0094693 0094776	34829 34829 34829	0094632 0094693 0094776	34829 34829 34829	0094632 0094693 0094776	34829 34829 34829	0094632 0094693 0094776	34829 34829 34829
11	Packing Box Cover - Standard Ductile iron 316 SS Alloy 20 SS	0056832 0056836 0056838	33608 33608 33608	0056832 0056836 0056838	33608 33608 33608	0056832 0056836 0056838	33608 33608 33608	0056832 0056836 0056838	33608 33608 33608
11	Packing Box Cover (Water Jacketed) Ductile iron 316 SS Alloy 20 SS	0056858 0056862 0056864	33680 33680 33680	0056858 0056862 0056864	33680 33680 33680	0056858 0056862 0056864	33680 33680 33680	0056858 0056862 0056864	33680 33680 33680
* 13	Stuff. Box Packing Rings (5 Req'd) GAR 8913 JC1335 Pure Teflon Fibre Graphite Filament	0035045 0057155 0063454 0063452	- - - -	0035045 0057155 0063454 0063452	- - - -	0035045 0057155 0063454 0063452	- - - -	0035045 0057155 0063454 0063452	- - - -
* 14	Shaft Sleeve - Long - New Style 316 SS Alloy 20 SS 440C SS - Hardened	0094633 0094686 0094692	28683 28683 26683	0094633 0094686 0094692	28683 28683 26683	0094633 0094686 0094692	28683 28683 26683	0094633 0094686 0094692	28683 28683 28683
* 14A	Shaft Sleeve - Long - Old Style 316 SS Alloy 20 SS 440C SS - Hardened	0057318 0057320 0057319	118-768 118-768 118-768	0057318 0057320 0057319	118-768 118-768 118-768	0057318 0057320 0057319	118-768 118-768 118-768	0057318 0057320 0057319	118-768 118-768 118-768
* 16	Ball Bearing - 309 - Inboard - Radial	M-5436	-	M-5436	-	M-5436	-	M-5436	-
17	Split Stuff. Box Gland Ductile Iron Alloy 20 SS	0057036 0057045	117-913 117-913	0057036 0057045	117-913 117-913	0057036 0057045	117-913 117-913	0057036 0057045	117-913 117-913
17A	Stuffing Gland Ductile Iron Alloy 20 SS	0058837 0058840	27138 27138	0058837 0058840	27138 27138	0058837 0058840	27138 27138	0058837 0058840	27138 27138
* 18	Ball Bearing - Outboard Thrust	0039989	-	0039989	-	0039989	-	0039989	-
19	Frame Only - Cast Iron	0056942	41326	0056942	41326	0056942	41326	0056942	41326
19A	Frame Only - Hi-Temp.	0077369	45131	0077369	45131	0077369	45131	0077369	45131
22	Bearing Locknut - Steel	0006033	-	0006033	-	0006033	-	0006033	-
* 29	Lantern Ring - Teflon (half - 2 req'd)	0076642	119-511	0076642	119-511	0076642	119-511	0076642	119-511

NOTE: 1: All packing assembly parts are for pumps with packed stuffing box.  
 2: For Information and prices on Mechanical Seals, refer to Price Pages 3060.  
 3: Pump Serial Number must be furnished when ordering repair parts.

\* Recommended spare parts



**Parts for Fig. 3065**

Industrial Section 36  
Bulletin 95

**DEMING®**

www.cranepumps.com

**Repair Parts**

Item	Please Order By the Part No.  Name and Description	A20 3 x 1½ x 12		A30 3 x 2 x 12		A40 4 x 3 x 12		A80 6 x 4 x 12	
		Part No.	Drawing No.	Part No.	Drawing No.	Part No.	Drawing No.	Part No.	Drawing No.
33	Bearing Housing - O.B. - New Style	0100815	28572	0100815	28572	0100815	28572	0100815	28572
35	Bearing Cover I.B. C.I	0058180	118-810	0058180	118-810	0058180	118-810	0058180	118-810
37	Bearing Cover - O.B. - New Style	0100817	28573	0100817	28573	0100817	28573	0100817	28573
* 38	Shaft Gasket ("O" Ring) - Teflon Teflon Coated Buna	0057227	-	0057227	-	0057227	-	0057227	-
40	Delfector - Teflon	0058189	118-812	0058189	118-812	0058189	118-812	0058189	118-812
46	Coupling Key - 1/4" Sq. x 1-3/4" - Steel	0002204	-	0002204	-	0002204	-	0002204	-
* 47	Bearing Cover Seal - Inboard	0058135	-	0058135	-	0058135	-	0058135	-
* 49	Bearing Cover Seal - Outboard	0058134	-	0058134	-	0058134	-	0058134	-
51	Oil Slinger or Retainer - Bronze	0058291	118-817	0058291	118-817	0058291	118-817	0058291	118-817
* 69	Brg. Lock Washer - Outboard - Steel	0007147	-	0007147	-	0007147	-	0007147	-
* 73	Casing Gasket - Durlon	0120378	118-657	0120378	118-657	0120378	118-657	0120378	118-657
	Casing Gasket - Teflon	0057167	118-657	0057167	118-657	0057167	118-657	0057167	118-657
77	Lubricator - For Oil Lube Only	0057697	-	0057697	-	0057697	-	0057697	-
195	Set Screw - For Item 51	0001463	-	0001463	-	0001463	-	0001463	-
* 202	Brg. Snap Ring - Outboard Steel	0058137	-	0058137	-	0058137	-	0058137	-
204	Adjusting Lock Nut - 3/8" - 16N.C. Zinc Plated (3 Req'd)	0038530	-	0038530	-	0038530	-	0038530	-
206	Split Gland Clip - 316 SS (2 Req'd)	0047657	117-918	0047657	117-918	0047657	117-918	0047657	117-918
207	Grease Fitting - 1/8" - For Grease Lube	0003131	-	0003131	-	0003131	-	0003131	-
208	Pipe Plug - 1/4" - For Item 11								
	Iron	0002009	-	0002009	-	0002009	-	0002009	-
	316 SS	0006252	-	0006252	-	0006252	-	0006252	-
	Carp. 20 SS	0012454	-	0012454	-	0012454	-	0012454	-
210	Hex Nut - 3/8" For Item 281								
	316 SS (2 Req'd)	0006012	-	0006012	-	0006012	-	0006012	-
	Carp. 20 SS (2 Req'd)	0006013	-	0006013	-	0006013	-	0006013	-
212	Cap Screw - 1/2" x 1-3/8" For Item 19 to 1								
	Steel (8 Req'd)	0055242	-	0055242	-	0055242	-	0055242	-
	C-20 SS (10 Req'd)	0058790	-	0058790	-	0058790	-	0058790	-
213	Cap Screw - 3/8" x 1-3/4" - Item 37 to 19								
	Zinc Plated (3 Req'd)	0059887	-	0059887	-	0059887	-	0059887	-
222	Pipe Plug - 1/8" - Zinc Plated - For Grease Lube Only	0002553	-	0002553	-	0002553	-	0002553	-
225	Pipe Plug - 1/4" - Zinc Plated - For Grease Lube Only	0002009	-	0002009	-	0002009	-	0002009	-
* 232	"O" Ring - For Item 19								
	For Oil Lube Only	0039023	-	0039023	-	0039023	-	0039023	-
235	Breather - 1/8" Alemite - For Oil Lube Only	0039022	-	0039022	-	0039022	-	0039022	-
236	Pipe Plug - 1/4" - Zinc Plated (Frame Drain Plug)	0002009	-	0002009	-	0002009	-	0002009	-
237	Pipe Plug - 1/8" - Zinc Plated - For Oil Lube Only	0002553	-	0002553	-	0002553	-	0002553	-
238	Pipe Plug - 1/8" - Zinc Plated - (Not Shown) For Oil Lube Only	0002553	-	0002553	-	0002553	-	0002553	-
239	Stud - 1/2" x 1-1/2" - Item 19 to 11 - Steel (4 Req'd)	0000580	-	0000580	-	0000580	-	0000580	-
242	Grease Fitting - 1/8" - Steel For Grease Lube Only	0003131	-	0003131	-	0003131	-	0003131	-
249	Hex Nut - 1/2" - For Item 239 - Steel (4 Req'd)	0001179	-	0001179	-	0001179	-	0001179	-
273	Casing Foot - Cast Iron	0056984	27294	0056984	27294	0056978	27293	0061103	27405
274	Frame Foot - Standard	0058150	27330	0058150	27330	0058150	27330	0058150	27330
	Cast Iron - Water Cooled	0057250	27319	0057250	27319	0057250	27319	0057250	27319
	- Hi Temp.	0058144	27329	0058144	27329	0058144	27329	0058144	27329
275	Lifting Ring - 1/2" x 3/4" - Steel	0057458	-	0057458	-	0057458	-	0057458	-
276	Cap Screw - 1/2" x 1" - Item 273 to 1	0000431	-	0000431	-	0000431	-	0000431	-
	Steel (2 Req'd)								

\* Recommended spare parts

SECTION 95  
PAGE 12  
DATE 7/08



PUMPS & SYSTEMS

A Crane Co. Company

USA: (937) 778-8947 • Canada: (905) 457-6223 • International: (937) 615-3598

**Repair Parts**

Item	Please Order By the Part No.  Name and Description	A20 3 x 1½ x 12		A30 3 x 2 x 12		A40 4 x 3 x 12		A80 6 x 4 x 12	
		Part No.	Drawing No.	Part No.	Drawing No.	Part No.	Drawing No.	Part No.	Drawing No.
277	Cap Screw - 3/8" x 1" - Steel (2 Req'd) For Regular Frame Foot	0000397	-	0000397	-	0000397	-	0000397	-
	Cap Screw - 3/8" x 2-3/4" - Steel (2 Req'd) For Water Cooled Frame Foot	0000410	-	0000410	-	0000410	-	0000410	-
* 279	Shaft Sleeve Key - SS 1/8" x 1/2" - #3 Woodruff	0094328	-	0094328	-	0094328	-	0094328	-
280	Gasket - 1/16" - Vellumoid For Water Cooled Frame Foot	0080797	-	0080797	-	0080797	-	0080797	-
		0057457	-	0057457	-	0057457	-	0057457	-
281	Gland Stud - 3/8" - 316 SS Carp. 20 SS	0049953	-	0049953	-	0049953	-	0049953	-
	2 Req'd with Item 17 4 Req'd with Item 251	0046048	-	0046048	-	0046048	-	0046048	-
284	Stuffing Gland Ring GAR 8913 (Not Shown)	0057232	-	0057232	-	0057232	-	0057232	-
286	Jack Screw (1/4" - 20 x 1" - Cap Screw) Zinc Plated - For item 37 (3 Req'd)	0093248	-	0093248	-	0093248	-	0093248	-
* 292	"O" Ring for Item 37 For Oil Lube Only	0000165	-	0000165	-	0000165	-	0000165	-
332	Cap Screw - item 37 to 32 1/4" - 20 x 5/8" - (2 Req'd)	0058310	-	0058310	-	0058310	-	0058310	-

**For Pumps Fitted with Mechanical Seal  
Standard Inside Seals, O-Ring or Clamped Stationary Seats**

Item 65	John Crane Single Seals					
	Type 1 - O-Ring Mounted		Type 9 - O-Ring Mounted		Type 9 - Clamped	
	Seal Code	Part No.	Seal Code	Part No.	Seal Code	Part No.
	BF171	0078883	QXF171	0060653	QF171	0060647
	BF1C1	0078882	QXF1C1	0060654	QF1C1	0060648
	BF191	0078884	QXF191	0060655	QF191	0060649
	XF171	0081431	-	-	-	-
	XF1C1	0080373	-	-	-	-
Item 65	John Crane Double Seals - O-Ring Mounted					
	BF2C1	0045936	QXF171	0076960	-	NA
	BF191	0060703	QXF1C1	0076961	-	NA
	-	-	QXF191	0076962	-	NA

For information and prices on Mechanical Seals, refer to Price Pages 3060

Item 251	Seal Gland - For O-Ring Mounted Stationary Seat					
Description	For Type 1 Seal			For Type 9 Seal		
Seal Gland Type	(1) Standard Part No.	(2) Cooling Part No.	(3) Quench Part No.	(1) Standard Part No.	(2) Cooling Part No.	(3) Quench Part No.
Ductile Iron	0064930	0064930	0064873	0064930	0064930	0064873
Alloy 20	0065181	0065181	0064869	0065181	0065181	0064869

\* Seal Gland Gasket - Part No. 0066338  
Throttle Bushing - Bronze - Part No. 0062271; Carbon - Part No. 0063724

Item 251	Seal Gland - For Clamped Stationary Seat		
Description	For Type 9 Seal		
Seal Gland Type	Plain Part No.	Cooling Part No.	Quench Part No.
Ductile Iron	0066178	0064862	0064865
Alloy 20	0066176	0064860	0064863

Throttle Bushing - Bronze - Part No. 0062271; Carbon - Part No. 0063724

Spring Holder - For Use with Type 1 Single Seal - P/N 0076813. Set Screw (2 Req'd) P/N 0077303

\* Recommended Spare Parts





**Repair Parts**

**For Pumps Fitted with Mechanical Seal  
Standard Inside Seals, O-Ring or Clamped Stationary Seats**

Please Order By the Part No.

Item 65	Durametallic Single Seals			
Seal Code	Type RO		Type ROTT	
	O-Ring Mounted Part No.	Clamped Part No.	O-Ring Mounted Part No.	Clamped Part No.
EX5	0060753	0060741	0060765	0060747
EY5	0060751	0060739	0060763	0060745
E55	0060752	0060740	0060764	0060746

Item 65	Durametallic Double Seals - O-Ring Mounted		
Seal Code	Type CRO	Type RO	Type ROTT
	Part No.	Part No.	Part No.
EX5	0060801	0060807	0060813
EY5	0060799	0060805	0060811
E55	0060800	0060806	0060812

For information and prices on Mechanical Seals, refer to Price Pages 3060

Item 251	Seal Gland - For O-Ring Mounted Stationary Seat					
Description	Type RO & CRO Seal			Type ROTT Seal		
	(1) Standard Part No.	(2) Cooling Part No.	(3) Quench Part No.	(1) Standard Part No.	(2) Cooling Part No.	(3) Quench Part No.
Ductile Iron	0064930	0064930	0064873	0065292	0065292	0066274
Alloy 20	0065181	0065181	0064869	0065295	0065295	0066276

\* Seal Gland Gasket - Part No. 0066339

Throttle Bushing - Bronze - Part No. 0062271; Carbon - Part No. 0063724

Item 251	Seal Gland - For Clamped Insert		
Description	Type RO & ROTT Seal		
	(4) Plain Part No.	(5) Cooling Part No.	(3) Quench Part No.
Ductile Iron	0066175	0064851	0064854
Alloy 20	0066173	0064849	0064852

Throttle Bushing - Bronze - Part No. 0064822; Carbon - Part No. 0064823

1. Includes 2 taps for flushing or lubricating seal
  2. Includes 2 taps - may be used for cooling
  3. Includes 4 taps for flushing. vent and drain. Require throttle brushing with single seal
  4. Plain gland - no taps
  5. Includes 2 taps for cooling, flush or lubrication
- \* Recommended Spare Parts

**Repair Parts**

Item	Please Order By the Part No.  Name and Description	A10 3 x 2 x 7/4		A05 2 x 1 x 9/2		A50 3 x 1 1/2 x 9 1/2		A60 3 x 2 x 9 1/2		A70 4 x 3 x 9 1/2	
		Part No.	Drawing No.	Part No.	Drawing No.	Part No.	Drawing No.	Part No.	Drawing No.	Part No.	Drawing No.
1	Casing - 150 lb. F.F. Flange Ductile Iron 316 SS Alloy 20 SS	0056101 0056105 0056107	42078 42078 42078	0059581 0059577 0059575	42079 42079 42079	0056205 0056209 0056211	42077 42077 42077	0056231 0056235 0056237	42063 42063 42063	0056257 0056261 0056263	42060 42060 42060
2	Impeller Cast Iron 316 SS Alloy 20 SS	0058681 0058665 0058667	27366 27366 27366	0059426 0059418 0059419	27396 27396 27396	0059410 0059394 0059396	27390 27390 27390	0056537 0056521 0056523	27246 27246 27246	0088304 0088306 0088305	34567 34567 34567
6	Shaft (Solid Type) SAE 4140 Steel 316 SS Carp. 20 SS	0057263 0057265 0057266	33690 33690 33690	0057263 0057265 0057266	33690 33690 33690	0057263 0057265 0057266	33690 33690 33690	0057263 0057265 0057266	33690 33690 33690	0057263 0057265 0057266	33690 33690 33690
6A	Shaft (Sleeve Type) - New Style SAE 4140 Steel 316 SS Carp. 20 SS	0094632 0094693 0094776	34829 34829 34829	0094632 0094693 0094776	34829 34829 34829	0094632 0094693 0094776	34829 34829 34829	0094632 0094693 0094776	34829 34829 34829	0094632 0094693 0094776	34829 34829 34829
11	Packing Box Cover - Standard Ductile iron 316 SS Alloy 20 SS	0056676 0056680 0056682	33638 33638 33638	0056728 0056732 0056734	33607 33607 33607	0056728 0056732 0056734	33607 33607 33607	0056728 0056732 0056734	33607 33607 33607	0056728 0056732 0056734	33607 33607 33607
11	Packing Box Cover (Water Jacketed) Steel 316 SS Alloy 20 SS	0104049 0101010 -	42163 42163 -	0097641 0105892 0107764	42113 42113 42113	0097641 0105892 0107764	42113 42113 42113	0097641 0105892 0107764	42113 42113 42113	0097641 0105892 0107764	42113 42113 42113
* 13	Stuff. Box Packing Rings (5 Req'd) GAR8913 JC1335 Pure Teflon Fibre Graphite Filament	0035045 0057155 0063454 0063452	- - - -	0035045 0057155 0063454 0063452	- - - -	0035045 0057155 0063454 0063452	- - - -	0035045 0057155 0063454 0063452	- - - -	0035045 0057155 0063454 0063452	- - - -
* 14	Shaft Sleeve - Long - New Style 316 SS Alloy 20 SS 440C SS - Hardened	0094633 0094686 0094692	28683 28683 28683	0094633 0094686 0094692	28683 28683 28683	0094633 0094686 0094692	28683 28683 28683	0094633 0094686 0094692	28683 28683 28683	0094633 0094686 0094692	28683 28683 28683
* 14A	Shaft Sleeve - Long - Old Style 316 SS Alloy 20 SS 440C SS - Hardened	0057318 0057320 0057319	118-768 118-768 118-768	0057318 0057320 0057319	118-768 118-768 118-768	0057318 0057320 0057319	118-768 118-768 118-768	0057318 0057320 0057319	118-768 118-768 118-768	0057318 0057320 0057319	118-768 118-768 118-768
* 16	Ball Bearing - 3207 - Inboard - Radial	0005266	-	0005266	-	0005266	-	0005266	-	0005266	-
17	Split Stuff. Box Gland Ductile Iron Alloy 20 SS	0057036 0057045	117-913 117-913	0057036 0057045	117-913 117-913	0057036 0057045	117-913 117-913	0057036 0057045	117-913 117-913	0057036 0057045	117-913 117-913
17A	Stuffing Gland Ductile Iron Alloy 20 SS	0058837 0058840	27138 27138	0058837 0058840	27138 27138	0058837 0058840	27138 27138	0058837 0058840	27138 27138	0058837 0058840	27138 27138
* 18	Ball Bearing - Outboard Thrust	0039989	-	0039989	-	0039989	-	0039989	-	0039989	-
19	Frame Only - Cast Iron	0056942	41326	0056942	41326	0056942	41326	0056942	41326	0056942	41326
19A	Frame Only - Hi-Temp.	0077369	45131	0077369	45131	0077369	45131	0077369	45131	0077369	45131
22	Bearing Locknut - Steel	0006033	-	0006033	-	0006033	-	0006033	-	0006033	-
* 29	Lantern Ring - Teflon (half - 2 req'd)	0076642	119-511	0076642	119-511	0076642	119-511	0076642	119-511	0076642	119-511

NOTE: 1: All packing assembly parts are for pumps with packed stuffing box.  
 2: For Information and prices on Mechanical Seals, refer to Price Pages 3060.  
 3: Pump Serial Number must be furnished when ordering repair parts.

\* Recommended spare parts



**Repair Parts**

Item	Please Order By the Part No.  Name and Description	A10 3 x 2 x 7/4		A05 2 x 1 x 9/2		A50 3 x 1 1/2 x 9 1/2		A60 3 x 2 x 9 1/2		A70 4 x 3 x 9 1/2	
		Part No.	Drawing No.	Part No.	Drawing No.	Part No.	Drawing No.	Part No.	Drawing No.	Part No.	Drawing No.
33	Bearing Housing - O.B. - New Style	0100815	28572	0100815	28572	0100815	28572	0100815	28572	0100815	28572
35	Bearing Cover I.B.C.I	0058180	118-810	0058180	118-810	0058180	118-810	0058180	118-810	0058180	118-810
37	Bearing Cover - O.B. - New Style	0100817	28573	0100817	28573	0100817	28573	0100817	28573	0100817	28573
* 38	Shaft Gasket ("O" Ring) - Teflon	0057227	-	0057227	-	0057227	-	0057227	-	0057227	-
40	Delfector - Teflon	0058189	118-812	0058189	118-812	0058189	118-812	0058189	118-812	0058189	118-812
46	Coupling Key - 1/4" Sq. x 1-3/4" - Steel	0002204	-	0002204	-	0002204	-	0002204	-	0002204	-
* 47	Bearing Cover Seal - Inboard	0058135	-	0058135	-	0058135	-	0058135	-	0058135	-
* 49	Bearing Cover Seal - Outboard	0058134	-	0058134	-	0058134	-	0058134	-	0058134	-
51	Oil Slinger or Retainer - Bronze	0058291	118-817	0058291	118-817	0058291	118-817	0058291	118-817	0058291	118-817
* 69	Brg. Lock Washer - Outboard - Steel	0007147	-	0007147	-	0007147	-	0007147	-	0007147	-
* 73	Casing Gasket - Durlon	0120374	118-655	0120376	118-656	0120376	118-656	0120376	118-656	0120376	118-656
	Casing Gasket - Teflon	0057163	118-655	0057165	118-656	0057165	118-656	0057165	118-656	0057165	118-656
77	Lubricator - For Oil Lube Only	0057697	-	0057697	-	0057697	-	0057697	-	0057697	-
195	Set Screw - For Item 51	0001463	-	0001463	-	0001463	-	0001463	-	0001463	-
* 202	Brg. Snap Ring - Outboard Steel	0058137	-	0058137	-	0058137	-	0058137	-	0058137	-
204	Adjusting Lock Nut - 3/8" - 16N.C. Zinc Plated (3 Req'd)	0038530	-	0038530	-	0038530	-	0038530	-	0038530	-
206	Split Gland Clip - 316 SS (2 Req'd)	0047657	117-918	0047657	117-918	0047657	117-918	0047657	117-918	0047657	117-918
207	Grease Fitting - 1/8" - For Grease Lube For Grease Lube Only	0003131	-	0003131	-	0003131	-	0003131	-	0003131	-
208	Pipe Plug - 1/4" - For Item 11 Iron	0002009	-	0002009	-	0002009	-	0002009	-	0002009	-
	316 SS	0006252	-	0006252	-	0006252	-	0006252	-	0006252	-
	Carp. 20 SS	0012454	-	0012454	-	0012454	-	0012454	-	0012454	-
210	Hex Nut - 3/8" For Item 281 316 SS (2 Req'd)	0006012	-	0006012	-	0006012	-	0006012	-	0006012	-
	Carp. 20 SS (2 Req'd)	0006013	-	0006013	-	0006013	-	0006013	-	0006013	-
212	Cap Screw - 1/2" x 1" For Item 19 to 1 Steel (8 Req'd)	0000431	-	-	-	-	-	-	-	-	-
	Cap Screw - 1/2" x 1-1/2" For Item 19 to 1 Steel (8 Req'd)	-	-	0000434	-	0000434	-	0000434	-	0000434	-
	304 SS (8 Req'd)	-	-	0058791	-	0058791	-	0058791	-	0058791	-
213	Cap Screw - 3/8" x 1-3/4" - Item 37 to 19 Zinc Plated (3 Req'd)	0059887	-	0059887	-	0059887	-	0059887	-	0059887	-
222	Pipe Plug - 1/8" - Zinc Plated - For Grease Lube Only	0002553	-	0002553	-	0002553	-	0002553	-	0002553	-
225	Pipe Plug - 1/4" - Zinc Plated - For Grease Lube Only	0002009	-	0002009	-	0002009	-	0002009	-	0002009	-
* 232	"O" Ring - For Item 19 For Oil Lube Only	0039023	-	0039023	-	0039023	-	0039023	-	0039023	-
235	Breather - 1/8" Alemite - For Oil Lube Only	0039022	-	0039022	-	0039022	-	0039022	-	0039022	-
236	Pipe Plug - 1/4" - Zinc Plated (Not Shown) For Oil Lube Only	0002009	-	0002009	-	0002009	-	0002009	-	0002009	-
237	Pipe Plug - 1/8" - Zinc Plated - For Oil Lube Only	0002553	-	0002553	-	0002553	-	0002553	-	0002553	-
238	Pipe Plug - 1/8" - Zinc Plated - (Not Shown) For Oil Lube Only	0002553	-	0002553	-	0002553	-	0002553	-	0002553	-
239	Stud - 3/8" x 1-1/4" - Item 19 to 11 - Steel (8 Req'd)	0000520	-	-	-	-	-	-	-	-	-
	316 SS (8 Req'd)	0041736	-	-	-	-	-	-	-	-	-
242	Grease Fitting - 1/8" - Steel For Grease Lube Only	0003131	-	0003131	-	0003131	-	0003131	-	0003131	-
249	Hex Nut - 3/8" - For Item 239 - Steel (8 Req'd)	15-23-6	-	-	-	-	-	-	-	-	-
	316 SS (8 Req'd)	0006012	-	-	-	-	-	-	-	-	-
273	Casing Foot - Cast iron	NA	-	0056972	27292	0056972	27292	0056972	27292	0056978	27293

\* Recommended spare parts

**Repair Parts**

Item	Please Order By the Part No.  Name and Description	A10 3 x 2 x 7/4		A05 2 x 1 x 9/2		A50 3 x 1 1/2 x 9 1/2		A60 3 x 2 x 9 1/2		A70 4 x 3 x 9 1/2	
		Part No.	Drawing No.	Part No.	Drawing No.	Part No.	Drawing No.	Part No.	Drawing No.	Part No.	Drawing No.
274	Frame Foot - Cast Iron Regular Water Cooled Hi-Temp	0058144 0057242 0077201	27329 27318 27751	0058144 0057242 0077201	27329 27318 27751	0058144 0057242 0077201	27329 27318 27751	0058144 0057242 0077201	27329 27318 27751	0058144 0057242 0077201	27329 27318 27751
275	Lifting Ring - 1/2" x 3/4" Steel	0057458	-	0057458	-	0057458	-	0057458	-	0057458	-
276	Cap Screw - for Item 273 to 1 1/2" x 1" - Steel (2 Req'd)	NA	-	0000431	-	0000431	-	0000431	-	0000431	-
277	Cap Screw - 3/8" x 1" - Steel (2 Req'd) For Regular Frame Foot Cap Screw - 3/8" x 2-3/4" - Steel (2 Req'd) For Water Cooled Frame Foot	0000397 0000410	- -	0000397 0000410	- -	0000397 0000410	- -	0000397 0000410	- -	0000397 0000410	- -
279	Shaft Key - New Style Woodruff - Old Style	0094328 0080797	1/4 x 1-3/4 1/4 x 7/8	0094328 0080797	- -	0094328 0080797	- -	0094328 0080797	- -	0094328 0080797	- -
280	Gasket - 1/16" - Vellumoid For Water Cooled Frame Foot	0057457	-	0057457	-	0057457	-	0057457	-	0057457	-
281	Gland Stud - 3/8" x 2" (2 Req'd) 316 SS Carp. 20 SS 2 Req'd with Item 17	0021390 0046048	- -	0021390 0046048	- -	0021390 0046048	- -	0021390 0046048	- -	0021390 0046048	- -
284	4 Req'd with Item 251 Stuffing Gland Ring GAR 8913 (Not Shown)	0057232	-	0057232	-	0057232	-	0057232	-	0057232	-
286	Jack Screw (1/4" - 20 x 1" - Cap Screw) Zinc Plated - For item 37	0093248 0000165	- -	0093248 0000165	- -	0093248 0000165	- -	0093248 0000165	- -	0093248 0000165	- -
* 292	"O" Ring for Item 37 For Oil Lube Only	0000165	-	0000165	-	0000165	-	0000165	-	0000165	-
332	Cap Screw - item 37 to 32 1/4" - 20 x 5/8" - (2 Req'd)	0058310	-	0058310	-	0058310	-	0058310	-	0058310	-

**For Pumps Fitted with Mechanical Seal  
Standard Inside Seals, O-Ring or Clamped Stationary Seats**

Item 65 John Crane Single Seals					
Type 1 - O-Ring Mounted		Type 9 - O-Ring Mounted		Type 9 - Clamped	
Seal Code	Part No.	Seal Code	Part No.	Seal Code	Part No.
BF171	0078883	QXF171	0060653	QF171	0060647
BF1C1	0078882	QXF1C1	0060654	QF1C1	0060648
BF191	0078884	QXF191	0060655	QF191	0060649
XF171	0081431	-	-	-	-
XF1C1	0080373	-	-	-	-
Item 65 John Crane Double Seals - O-Ring Mounted					
BF2C1	0045936	QXF171	0076960	-	NA
BF191	0060703	QXF1C1	0076961	-	NA
-	-	QXF191	0076962	-	NA

For information and prices on Mechanical Seals, refer to Price Pages 3060

Item 251 Seal Gland - For O-Ring Mounted Stationary Seat						
Description	For Type 1 Seal			For Type 9 Seal		
	(1) Standard Part No.	(2) Cooling Part No.	(3) Quench Part No.	(1) Standard Part No.	(2) Cooling Part No.	(3) Quench Part No.
Ductile Iron	0064930	0064930	0064873	0064930	0064930	0064873
Alloy 20	0065181	0065181	0064869	0065181	0065181	0064869

\* Seal Gland Gasket - Part No. 0066338  
Throttle Bushing - Bronze - Part No. 0062271; Carbon - Part No. 0063724

Spring Holder - For Use with Type 1 Single Seal - P/N 0076813. Set Screw (2 Req'd) P/N 0077303

\* Recommended Spare Parts



**Repair Parts**

<b>Item 251</b>	<b>Seal Gland - For Clamped Stationary Seat - John Crane</b>		
Description	Type RO & ROTT Seal		
Seal Gland Type	Plain Part No.	Cooling Part No.	Quench Part No.
Ductile Iron	0066178	0064862	0064865
Alloy 20	0066176	0064860	0064863
Throttle Bushing - Bronze - Part No. 0062271; Carbon - Part No. 0063724			

**For Pumps Fitted with Mechanical Seal  
Standard Inside Seals, O-Ring or Clamped Stationary Seats**

Please Order By the Part No.

<b>Item 65</b>	<b>Durametallic Single Seals</b>			
Seal Code	Type RO		Type ROTT	
	O-Ring Mounted Part No.	Clamped Part No.	O-Ring Mounted Part No.	Clamped Part No.
EX5	0060753	0060741	0060765	0060747
EY5	0060751	0060739	0060763	0060745
E55	0060752	0060740	0060764	0060746

<b>Item 65</b>	<b>Durametallic Double Seals - O-Ring Mounted</b>		
Seal Code	Type CRO	Type RO	Type ROTT
	Part No.	Part No.	Part No.
EX5	0060801	0060807	0060813
EY5	0060799	0060805	0060811
E55	0060800	0060806	0060812

For information and prices on Mechanical Seals, refer to Price Pages 3060

<b>Item 251</b>	<b>Seal Gland - For O-Ring Mounted Stationary Seat</b>					
Description	Type RO & CRO Seal			Type ROTT Seal		
Seal Gland Type	(1) Standard Part No.	(2) Cooling Part No.	(3) Quench Part No.	(1) Standard Part No.	(2) Cooling Part No.	(3) Quench Part No.
Ductile Iron	0064930	0064930	0064873	0065292	0065292	0066274
Alloy 20	0065181	0065181	0064869	0065295	0065295	0066276

\* Seal Gland Gasket - Part No. 0066338  
Throttle Bushing - Bronze - Part No. 0062271; Carbon - Part No. 0063274

<b>Item 251</b>	<b>Seal Gland - For Clamped Insert</b>		
Description	Type RO & ROTT Seal		
Seal Gland Type	(4) Plain Part No.	(5) Cooling Part No.	(3) Quench Part No.
Ductile Iron	0066175	0064851	0064854
Alloy 20	0066173	0064849	0064852

Throttle Bushing - Bronze - Part No. 0064822; Carbon - Part No. 0064823

1. Includes 2 taps for flushing or lubricating seal
  2. Includes 2 taps - may be used for cooling
  3. Includes 4 taps for flushing, vent and drain. Require throttle brushing with single seal
  4. Plain gland - no taps
  5. Includes 2 taps for cooling, flush or lubrication
- \* Recommended Spare Parts



**Repair Parts**

Item	Please Order By the Part No.  Name and Description	A20 3 x 1½ x 12-B		A30 3 x 2 x 12-B		A80-15 6 x 4 x 15		
		Part No.	Drawing No.	Part No.	Drawing No.	Part No.	Drawing No.	
1	Casing - 150 lb. F.F. Flange	-	-	-	-	-	-	
	Ductile Iron	-	-	-	-	0096791	42068	
	316 SS	-	-	-	-	0095280	42068	
	Alloy 20 SS	-	-	-	-	0096792	42068	
	Casing - 300 lb. F.F. Flange	-	-	-	-	-	-	
	Ductile Iron	0061523	33770	0061484	33371	-	-	
	316 SS	0061529	33770	0061490	33371	-	-	
	Alloy 20 SS	0061532	33770	0061493	33371	-	-	
	2	Impeller	-	-	-	-	0096797	34849
	Cast Iron	0079593	27799	0079619	27800	-	-	
	316 SS	0079599	27799	0079625	27800	0095236	34849	
	Alloy 20 SS	0079601	27799	0079627	27800	0096795	34849	
6	Shaft (Solid Type)	-	-	-	-	-	-	
	SAE 4140 Steel	0079796	34139	0079796	34139	-	-	
	316 SS	0079798	34139	0079798	34139	-	-	
6A	C-20 SS	0079799	34139	0079799	34139	-	-	
	Shaft (Sleeve Type) - New Style	-	-	-	-	-	-	
	SAE 4140 Steel	0079670	34138	0079670	34138	0095230	28705	
	316 SS	0079672	34138	0079672	34138	0096810	28705	
	Carp. 20 SS	0079673	34138	0079673	34138	0096811	28705	
	11	Packing Box Cover - Standard	-	-	-	-	-	-
	Cast Iron	-	-	-	-	0096802	42066	
	Ductile iron	0079689	41565	0079689	41565	0096812	42066	
	316 SS	0079701	41565	0079701	41565	0095213	42066	
	Alloy 20 SS	0079705	41565	0079705	41565	0096798	42066	
11A	Packing Box Cover (Water Jacketed)	-	-	-	-	-	-	
	Ductile iron	0079745	41566	0079745	41566	-	-	
	316 SS	0079757	41566	0079757	41566	-	-	
	Alloy 20 SS	0079761	41566	0079761	41566	-	-	
	* 13	Stuff. Box Packing Rings (5 Req'd)	-	-	-	-	-	
	GAR 8913	0068472	-	0068472	-	0040031	-	
	JC1335	0068473	-	0068473	-	0068473	-	
	Pure Teflon Fibre	0071816	-	0071816	-	0071816	-	
	* 14	Shaft Sleeve	-	-	-	-	-	
	316 SS	0079578	119-638	0079578	119-638	0079578	119-638	
	Alloy 20 SS	0079580	119-638	0079580	119-638	0079580	119-638	
	440C SS - Hardened	0079587	119-638	0079587	119-638	0079587	119-638	
* 16	Ball Bearing - 3207 - Inboard - Radial	0079980	-	0079980	-	0079980	-	
17	Split Stuff. Box Gland	-	-	-	-	-	-	
	Cast Iron	-	-	-	-	0044000	118-085	
	Alloy 20 SS	0068484	118-085	0068484	118-085	0068484	118085	
17A	Stuffing Gland	-	-	-	-	-	-	
	4140 STL	131366	118-085A	131366	118-085A	131366	118-085A	
	Ductile Iron	0068507	27136	0068507	27136	0068507	27136	
	Alloy 20 SS	0068513	27136	0068513	27136	0068513	27136	
	* 18	Ball Bearing - Outboard Thrust	0005273	-	0005273	-	0095333	DT
	19	Frame Only - Cast Iron	0079681	41557	0079681	41557	0079681	41557
22	Bearing Locknut - Steel	0091402	-	0091402	-	0091402	-	
	24	Lug Nut for Item 6 - 1-1/4 - 12 NF	-	-	-	-	-	
	316 SS	-	-	-	-	0095130	120-971	
	Alloy 20 SS	-	-	-	-	0096813	120-971	
	* 29	Lantern Ring Teflon (2 Req'd)	0076643	119-511	0076643	119-511	0076643	119-511
	* 30	Impeller Washer Gasket - Durabla	-	-	-	-	0095238	116-040
* 32	Impeller Key 316 SS	-	-	-	-	-	0089605	-
	3/8" x 5/16" x 2" Alloy 20 S.S.	-	-	-	-	-	0096815	-
	33	Bearing Hsg. - O.B. New Style	0100819	28605	0100819	28605	0095332	28707
35	Bearing Cover - Inboard	0079574	119-619	0079574	119-619	0079574	119-619	
	Bearing Cover - O.B. New Style	0100821	28609	0100821	28609	0093000	28609	
* 38	Shaft Gasket - O-Ring - Teflon	0080002	-	0080002	-	-	-	
	Sleeve Gasket - Durlon	-	-	-	-	0095237	119-157	
	40	Deflector - Teflon	0079575	119-620	0079575	-	0079575	119-620

\* Recommended spare parts



**Parts for Fig. 3066**

Industrial Section 36

Bulletin 95

**DEMING®**

www.cranepumps.com

**Repair Parts**

Item	Please Order By the Part No. Name and Description	A20 3 x 1½ x 12-B		A30 3 x 2 x 12-B		A80-15 6 x 4 x 15	
		Part No.	Drawing No.	Part No.	Drawing No.	Part No.	Drawing No.
46	Coupling Key - 1/4" Sq. x 1-3/4" - Steel	0002004	-	0002004	-	0002004	-
47	Bearing Cover Seal - Inboard	0080003	-	0080003	-	0080003	-
49	Bearing Cover Seal - Outboard	0073261	-	0073261	-	0073261	-
51	Oil Slinger or Retainer - Bronze	0079572	119-618	0079572	119-618	0079572	119-618
* 69	Brg. Lock Washer - Outboard - Steel	0007148	-	0007148	-	0007148	-
* 73	Casing Gasket - Durlon	0088149	-	0088149	-	0096790	-
77	Lubricator - For Oil Lube Only	0057697	-	0057697	-	0057697	-
195	Set Screw - For Item 51 (2 Req'd)	0001463	-	0001463	-	0001463	-
202	Brg. Snap Ring	0080004	-	0080004	-	-	-
204	Adjusting Lock Nut - (3 Req'd)	0038530	3/8"	0038530	3/8"	0038530	3/8"
206	Gland Clip - 316 SS (2 Req'd)	0044046	118-099	0044046	118-099	0044046	118-099
207	Grease Fitting - For Grease Lube	0003131	-	0003131	-	0003131	-
208	Pipe Plug - 1/4"						
	Iron	0002009	-	0002009	-	0002009	-
	316 SS	0006252	-	0006252	-	0006252	-
	Carp. 20 SS	0012454	-	0012454	-	0012454	-
209	Cap Screw (2 Req'd)	-	-	-	-	0070166	3/8"
210	Hex Nut - 3/8" For Item 281	-	-	-	-	0001168	-
	316 SS (2 Req'd)	0006012	-	0006012	-	0006012	-
	Carp. 20 SS (2 Req'd)	0006013	-	0006013	-	0006013	-
212	Cap Screw - 1/2" x 1-3/8" For Item 1 to 11						
	Steel (8 Req'd)	0055242	-	0055242	-	0055242	-
	316 SS	0058790	-	0058790	-	0058790	-
	Alloy 20	0081021	-	0081021	-	0081021	-
213	Cap Screw - 3/8" x 1-3/4" - Item 37 & 33 to 19	0059887	-	0059887	-	0059887	-
	Zinc Plated (3 Req'd)						
216	Pipe Plug - for Item 1	-	-	-	-	0006223	-
222	Pipe Plug - For Item 19 -						
	For Grease Lube Only	0002553	-	0002553	-	0002553	-
* 232	"O" Ring - For Item 19 - Oil Lube	0000180	-	0000180	-	0000180	-
235	Breather - 1/8" Alemite - Oil Lube	0039022	-	0039022	-	0039022	-
236	Pipe Plug - 1/4" - For Oil Lube	0002009	-	0002009	-	0002009	-
237	Pipe Plug - 1/8" - For Oil Lube	0002553	-	0002553	-	0002553	-
238	Pipe Plug - 1/8" - For Item 37	0002553	-	0002553	-	0002553	-
239	Stud - 1/2" Item 11 to 19	0000580	-	0000580	-	0000580	-
240	Pipe Plug 1/4" - For Item 1	-	-	-	-	0002009	-
242	Grease Fitting	0003131	-	0003131	-	0003131	-
243	Grease Fitting for Item 11	0003131	-	0003131	-	0003131	-
249	Hex Nut - 1/2" - For Item 239	0001179	-	0001179	-	0001179	-
262	Pipe Plug - 1/4" -						
	Iron	-	-	-	-	0002009	-
	316 SS	-	-	-	-	0006252	-
	Alloy 20	-	-	-	-	0012454	-
263	Set Screw Steel	-	-	-	-	0031140	-
	18-8 S.S.	-	-	-	-	0080566	-
	Alloy 20	-	-	-	-	0080518	-
270	Impeller Washer - 316 SS	-	-	-	-	0083269	119-772
273	Casing Foot - Cast Iron	0056984	27294	0056984	27294	-	-
274	Frame Foot Cast Iron	0079589	27798	0079589	27798	0095686	28726
275	Lifting Eye - 1/2" x 3/4"	0057458	-	0057458	-	0057458	-
276	Cap Screw - 1/2" x 1" - (2 Req'd)	0000431	-	0000431	-	-	-
277	Cap Screw - 1/2" x 1" - (2 Req'd)	0000431	-	0000431	-	0000431	-
279	Shaft Key - Woodruff	0080018	-	0080018	-	0080018	-
281	Gland Stud 3/8" - 316 SS	0049953	-	0049953	-	0049953	-
	(2 Req'd) with Item 17	0074167	-	0074167	-	0074167	-
	Alloy 20						
284	Stuffing Gland Ring (Not Shown)	0068471	-	0068471	-	0068471	-
286	Jack Screw - For Item 37 - (3 Req'd)	0093255	-	0093255	-	0093255	-
* 292	"O" Ring - For Item 37 - Oil Lube	0093256	-	0093256	-	0093256	-
294	Pipe Plug (For Item 19) - 3/4"	0003107	-	0003107	-	0003107	-
332	Cap Screw - 3/8" x 5/8" (Not Shown)	0058310	-	0058310	-	0058310	-
	for Item 37 to 32						

\* Recommended spare parts

SECTION 95  
PAGE 20  
DATE 7/08



PUMPS & SYSTEMS

A Crane Co. Company

USA: (937) 778-8947 • Canada: (905) 457-6223 • International: (937) 615-3598

**For Pumps Fitted with Mechanical Seal  
Standard Inside Seals, O-Ring or Clamped Stationary Seats**

Please Order By the Part No.

Item 65		John Crane Single Seals			
Type 1 - O-Ring Mounted		Type 9 - O-Ring Mounted		Type 9 - Clamped	
Seal Code	Part No.	Seal Code	Part No.	Seal Code	Part No.
BF171	0078886	QXF171	0072270	QF171	0072267
BF1C1	0078885	QXF1C1	0072271	QF1C1	0072268
BF191	0078887	QXF191	0072272	QF191	0072269
XF171	0081432	-	-	-	-
XF1C1	0080374	-	-	-	-

Item 65		John Crane Double Seals - O-Ring Mounted			
BF2C1	0045937	QXF171	0076963	NA	NA
BF191	0072277	QXF1C1	0076964		
-	-	QXF191	0076965		

For information and prices on Mechanical Seals, refer to Price Pages 3060

Item 251		Seal Gland - For O-Ring Mounted Stationary Seat				
Description	For Type 1 Seal			For Type 9 Seal		
	(1) Standard Part No.	(2) Cooling Part No.	(3) Quench Part No.	(1) Standard Part No.	(2) Cooling Part No.	(3) Quench Part No.
Ductile Iron	0065173	0065173	0071729	0065173	0065173	0071729
Alloy 20	0065177	0065177	0071735	0065177	0065177	0071735

\* Seal Gland Gasket - Part No. 0071786  
Throttle Bushing - Bronze - Part No. 0071748; Carbon - Part No. 0071749

Item 251		Seal Gland - For Clamped Stationary Seat				
Description	For Type 9 Seal			Seal Holder 0078888 Set Screw 0077303 For Use with Type 1 Steel		
	(4) Plain Part No.	(5) Cooling Part No.	(3) Quench Part No.			
Ductile Iron	0068679	0068685	0068682			
Alloy 20	0068681	0068687	0068684			

Throttle Bushing - Bronze - Part No. 0071751; Carbon - Part No. 0071752

1. Includes 2 taps for flushing or lubricating seal
2. Includes 2 taps - may be used for cooling
3. Includes 4 taps for flushing, vent and drain. Require throttle brushing with single seal
4. Plain gland - no taps
5. Includes 2 taps for cooling, flush or lubrication



**Repair Parts**

**For Pumps Fitted with Mechanical Seal  
Standard Inside Seals, O-Ring or Clamped Stationary Seats**

Please Order By the Part No.

<b>Item 65 Durametalllic Single Seals</b>				
Seal Code	Type RO		Type ROTT	
	O-Ring Mounted Part No.	Clamped Part No.	O-Ring Mounted Part No.	Clamped Part No.
EX5	0072299	0072293	0072302	0072296
EY5	0072297	0072291	0072300	0072294
E55	0072298	0072292	0072301	0072295

<b>Item 65 Durametalllic Double Seals - O-Ring Mounted</b>			
Seal Code	Type CRO	Type RO	Type ROTT
	Part No.	Part No.	Part No.
EX5	0072315	-	-
EY5	0072313	-	-
E55	0072314	-	-

For information and prices on Mechanical Seals, refer to Price Pages 3060

<b>Item 251 Seal Gland - For O-Ring Mounted Insert</b>						
Seal Gland Type	Type RO & CRO Seal			Type ROTT Seal		
	(1) Standard Part No.	(2) Cooling Part No.	(3) Quench Part No.	(1) Standard Part No.	(2) Cooling Part No.	(3) Quench Part No.
Ductile Iron	0065173	0065173	0071729	0065300	0065300	0071730
Alloy 20	0065177	0065177	0071735	0065303	0065303	0071736

\* Seal Gland Gasket - Part No. 0071786  
Throttle Bushing - Bronze - Part No. 0071748; Carbon - Part No. 0071749

<b>Item 251 Seal Gland - For Clamped Insert</b>			
Seal Gland Type	Type RO & ROTT Seal		
	(4) Plain Part No.	(5) Cooling Part No.	(3) Quench Part No.
Ductile Iron	0068641	0068647	0068650
Alloy 20	0068645	0068649	0068652

Throttle Bushing - Bronze - Part No. 0071751; Carbon - Part No. 0071752

1. Includes 2 taps for flushing or lubricating seal
  2. Includes 2 taps - may be used for cooling
  3. Includes 4 taps for flushing. vent and drain. Require throttle brushing with single seal
  4. Plain gland - no taps
  5. Includes 2 taps for cooling, flush or lubrication
- \* Recommended Spare Parts