



Centrifugal Pumps

STA-RITE®

**INSTALLATION AND
OPERATION MANUAL**

DMC Series Two - Stage

**Horsepower Range: 1- 2 H.P.
60 Cycle**

Single Phase Installations

Owner's Record

Pump Model: _____

Pump Serial No.: _____

Pump Date Code: _____

Motor H.P. _____ Voltage _____ Phase _____

Date of Installation: _____

Owner: _____

Installer: _____

Installer Phone Number: _____

**Sta-Rite
293 Wright St., Delavan, WI 53115
PH: 888-782-7483 Orders Fax: 800-426-9446
WWW.STA-RITE.COM**

SAFETY

READ AND FOLLOW SAFETY INSTRUCTIONS!

⚠️ This is the safety alert symbol. When you see this symbol on your pump or in this manual, look for one of the following signal words and be alert to the potential for personal injury:

⚠️ DANGER warns about hazards that **will** cause serious personal injury, death or major property damage if ignored.

⚠️ WARNING warns about hazards that **can** cause serious personal injury, death or major property damage if ignored.

⚠️ CAUTION warns about hazards that **will** or **can** cause minor personal injury or property damage if ignored.

The label **NOTICE** indicates special instructions which are important but not related to hazards.

Carefully read and follow all safety instructions in this manual and on pump.


Keep safety labels in good condition.

Replace missing or damaged safety labels.

Make workshops childproof; use padlocks and master switches; remove starter keys.

California Proposition 65 Warning

⚠️ WARNING This product and related accessories contain chemicals known to the State of California to cause cancer, birth defects or other reproductive harm.

<p>⚠️ WARNING</p>  <p>Hazardous voltage. Can shock, burn, or cause death.</p> <p>Ground pump before connecting to power supply. Disconnect power before working on pump, motor or tank.</p>
--

⚠️ Wire motor for correct voltage. See “Electrical” section of this manual and motor nameplate.

⚠️ Ground motor before connecting to power supply.

⚠️ Meet National Electrical Code, Canadian Electrical Code, and local codes for all wiring.

⚠️ Follow wiring instructions in this manual when connecting motor to power lines.

ELECTRICAL SAFETY

⚠️ WARNING Capacitor voltage may be hazardous. To discharge motor capacitor, hold insulated handle screwdriver **BY THE HANDLE** and short capacitor terminals together. Do not touch metal screwdriver blade or capacitor terminals. If in doubt, consult a qualified electrician.

GENERAL SAFETY

⚠️ CAUTION Do not touch an operating motor. Modern motors can operate at high temperatures. To avoid burns when servicing pump, allow it to cool for 20 minutes after shut-down before handling.

Do not allow pump or any system component to freeze. To do so will void warranty.

Pump water only with this pump.

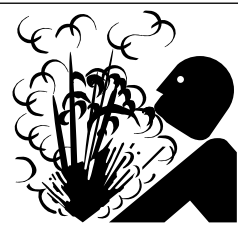
Periodically inspect pump and system components.

Wear safety glasses at all times when working on pumps.

Keep work area clean, uncluttered and properly lighted; store properly all unused tools and equipment.

Keep visitors at a safe distance from the work areas.

Never run pump above recommended pressure shown on the performance chart or with discharge valve closed.

	<p>⚠️ WARNING</p> <p>Hazardous pressure! Do not run pump against closed discharge.</p> <p>Release all pressure on system before working on any component.</p>
--	---

WARRANTY

Limited Warranty

STA-RITE warrants to the original consumer purchaser ("Purchaser" or "You") of the products listed below, that they will be free from defects in material and workmanship for the Warranty Period shown below.

Product	Warranty Period
Water Systems Products — jet pumps, small centrifugal pumps, submersible pumps and related accessories	<i>whichever occurs first:</i> 12 months from date of original installation, or 18 months from date of manufacture
Pro-Source™ Composite Tanks	5 years from date of original installation
Pro-Source™ Steel Pressure Tanks	5 years from date of original installation
Pro-Source™ Epoxy-Lined Tanks	3 years from date of original installation
Sump/Sewage/Effluent Products	12 months from date of original installation, or 18 months from date of manufacture

Our warranty will not apply to any product that, in our sole judgement, has been subject to negligence, misapplication, improper installation, or improper maintenance. Without limiting the foregoing, operating a three phase motor with single phase power through a phase converter will void the warranty. Note also that three phase motors must be protected by three-leg, ambient compensated, extra-quick trip overload relays of the recommended size or the warranty is void.

Your only remedy, and STA-RITE's only duty, is that STA-RITE repair or replace defective products (at STA-RITE's choice). You must pay all labor and shipping charges associated with this warranty and must request warranty service through the installing dealer as soon as a problem is discovered. No request for service will be accepted if received after the Warranty Period has expired. This warranty is not transferable.

STA-RITE SHALL NOT BE LIABLE FOR ANY CONSEQUENTIAL, INCIDENTAL, OR CONTINGENT DAMAGES WHATSOEVER. THE FOREGOING WARRANTIES ARE EXCLUSIVE AND IN LIEU OF ALL OTHER EXPRESS AND IMPLIED WARRANTIES, INCLUDING BUT NOT LIMITED TO THE IMPLIED WARRANTIES OF MERCHANTABILITY AND FITNESS FOR A PARTICULAR PURPOSE. THE FOREGOING WARRANTIES SHALL NOT EXTEND BEYOND THE DURATION EXPRESSLY PROVIDED HEREIN. Some states do not allow the exclusion or limitation of incidental or consequential damages or limitations on the duration of an implied warranty, so the above limitations or exclusions may not apply to You. This warranty gives You specific legal rights and You may also have other rights which vary from state to state.

This Limited Warranty is effective June 1, 2011 and replaces all undated warranties and warranties dated before June 1, 2011.

STA-RITE INDUSTRIES

293 Wright Street • Delavan, WI U.S.A. 53115

Phone: 1-888-782-7483 • Fax: 1-800-426-9446 • Web Site: sta-rite.com

INSTALLATION

BEFORE YOU INSTALL YOUR PUMP

NOTICE: Well must not be more than 20' (6.1m) depth to water.

- Step 1. Long runs and many fittings increase friction and reduce flow. Locate pump as close to well as possible; use as few elbows and fittings as possible. Be sure suction line is straight and angles toward pump.
- Step 2. Be sure well and pipe are clear of sand, dirt and scale. Foreign matter will plug pump and void warranty. Use new pipe for best results.
- Step 3. Protect pump and all piping from freezing. Freezing will split pipe, damage pump and void warranty. Check locally for frost protection requirements (usually pipe must be 12" (30.5cm) below frost line and pump must be insulated).
- Step 4. Be sure all pipes and foot valve are clean and in good shape.
- Step 5. No air pockets in suction pipe.
- Step 6. No leaks in suction pipe. Use Teflon tape or Plasto-Joint Stik to seal pipe joints.
- Step 7. Unions installed near pump and well will aid in servicing. Leave room to use wrenches.

⚠ WARNING Pump body may explode if used as booster pump. DO NOT use in booster application.

⚠ CAUTION Motor normally operates at high temperature and will be too hot to touch. It is protected from heat damage during operation by an automatic internal cutoff switch. Before handling pump or motor, stop motor and allow it to cool for 20 minutes.

WELL PIPE INSTALLATION

NOTICE: Use installation method below which matches your well type.

CASED WELL/DUG WELL INSTALLATION

- Step 1. Inspect foot valve to be sure it works freely. Inspect strainer to be sure it is clean and secure.
- Step 2. Connect foot valve and strainer to first length of suction pipe and lower pipe into well. Add sections of pipe as needed, using Teflon tape on male threads (use 1-1/2" pipe for suction pipe). Be sure all suction pipe is leakproof or pump will lose prime and fail to pump. Install foot valve 10 to 20 ft. (3 to 6 m) below lowest level to which water will drop while pump is operating (pumping water level). Your well driller can furnish this information.
- Step 3. To prevent sand and sediment from entering pumping system, foot valve/strainer should be at least 5 ft. (1.5 m) above bottom of well.
- Step 4. When proper depth is reached, install sanitary well seal over pipe and in well casing. Tighten bolts to seal casing.
- Step 5. When using foot valve, a priming tee and plug are recommended. (Fig. 1).

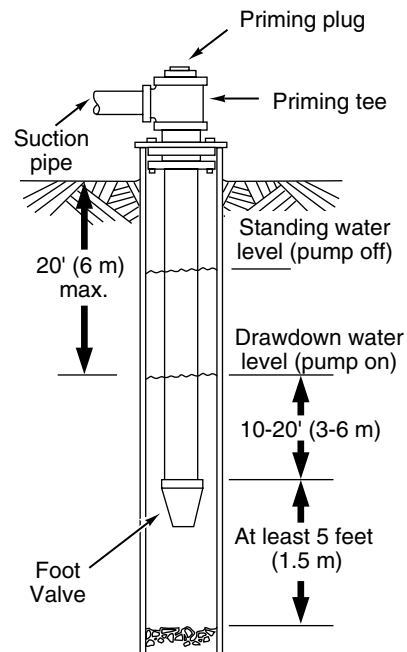


Figure 1: Cased/Dug Well Installation

INSTALLATION

DRIVEN POINT INSTALLATION

- Step 1. Connect suction pipe to drive point (Fig. 2). Keep horizontal pipe run as short as possible. Use Teflon tape on male pipe threads. Multiple well points may be necessary to provide sufficient water to pump.
- Step 2. Install check valve in horizontal pipe. Flow arrow on check valve must point toward pump.

HORIZONTAL PIPING FROM WELL TO PUMP

- Step 1. Pump performance will be decreased if less than 1-1/2" pipe is used as suction pipe.
- Step 2. To aid priming on well point installations, install line check valve. Be sure check valve flow arrow points toward pump.

DISCHARGE PIPE SIZES

Discharge pipe size should be increased to reduce pressure losses caused by friction on long pipe runs. Pipe sizing is based on GPM, type of pipe, and length of pipe.

LAWN SPRINKLING APPLICATION

This pump is designed for lawn sprinkling. Delivers plenty of water at full sprinkler pressure. Pumps from pond, cistern or well points.

Pump discharge can be divided to supply 4 or more sprinkler systems.

Do not use in booster pump applications.

PUMP/PIPING INSTALLATION

If turning pump on and off by pressure, a pressure switch and tank are required. For proper installation and operation instructions call Customer Service.

Use rigid pipe. Do not use hose or plastic tubing. See "Well Pipe Installation" for more information.

NOTICE: Use only Teflon tape or Teflon based joint compounds for making all threaded connections to the pump itself. **Do not use pipe joint compounds on plastic pumps:** they can react with the plastic in pump components. Make sure that all pipe joints in the suction pipe are air tight as well as water tight. *If the suction pipe can suck air, the pump will not be able to pull water from the well.*

- Step 1. Bolt pump to solid, level foundation.
- Step 2. Support all piping connected to pump.
- Step 3. Wrap 1-1/2 to 2 layers of Teflon tape clockwise (as you face end of pipe) on all male threads being attached to pump.
- Step 4. Tighten joints hand tight plus 1-1/2 turns. **Do not overtighten.**
- Step 5. Replace prime plug with pressure gauge. This will aid in sizing zones, troubleshooting, and following pump performance chart.

NOTICE: Install pump as close to well head as possible. Long piping runs and many fittings create friction and reduce flow.

NOTICE: For long horizontal pipe runs, install a priming tee between check valve and well head (Fig. 1). For driven point installations, install check valve. Be sure that check valve flow arrow points **toward** pump.

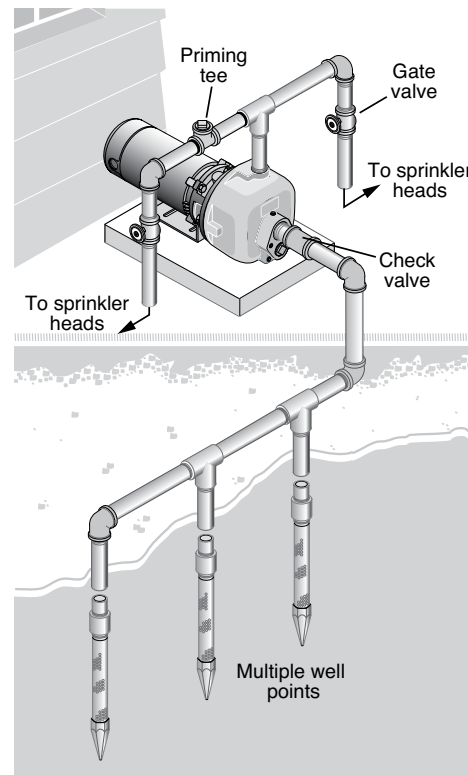


Figure 2: Driven Point Installation, Multiple Well Points

ELECTRICAL

Connection diagram for dual voltage, single-phase motors. Your dual-voltage motor's terminal board (under the motor end cover) will look like Figure 3. If your power supply is 115 volts, use a flat-bladed screwdriver or a nut driver to change the dial from 230 volts to 115 volts (see Figure 3). Connect power supply wires to L1 and L2.

Note: For 3-phase motors, or if motor does not match these pictures, follow the connection diagram on the motor nameplate.

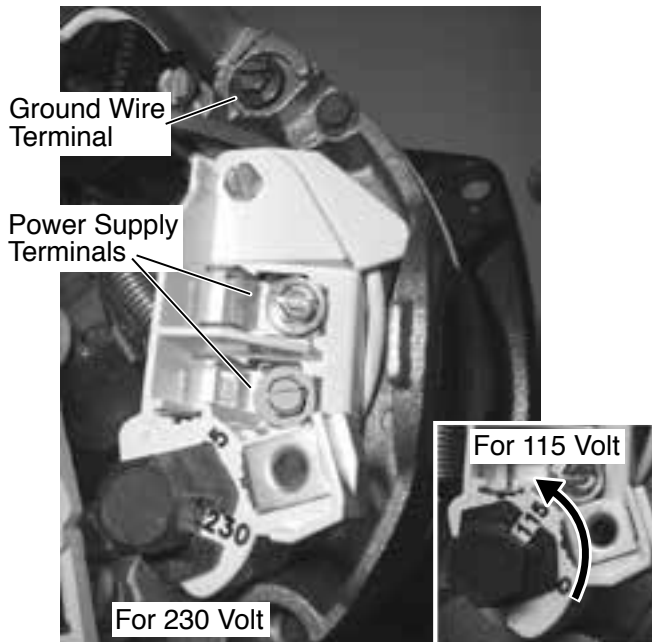


Figure 3 – 115/230V Dual Voltage Single Phase Wiring Diagram

⚠ WARNING Hazardous voltage. Can shock, burn, or cause death. Disconnect power to motor before working on pump or motor. Ground motor before connecting to power supply.

WIRING

⚠ Ground motor before connecting to electrical power supply. Failure to ground motor can cause severe or fatal electrical shock hazard.

⚠ Do not ground to a gas supply line.

⚠ To avoid dangerous or fatal electrical shock, turn OFF power to motor before working on electrical connections.

⚠ Supply voltage must be within $\pm 10\%$ of nameplate voltage. Incorrect voltage can cause fire or damage motor and voids warranty. If in doubt consult a licensed electrician.

⚠ Use wire size specified in Wiring Chart (Page 7). If possible, connect pump to a separate branch circuit with no other appliances on it.

⚠ Wire motor according to diagram on motor nameplate. If nameplate diagram differs from diagrams above, follow nameplate diagram.

- Step 1. Install, ground, wire and maintain this pump in accordance with electrical code requirements. Consult your local building inspector for information about codes.
- Step 2. Provide a correctly fused disconnect switch for protection while working on motor. Consult local or national electrical codes for switch requirements.
- Step 3. Disconnect power before servicing motor or pump. If the disconnect switch is out of sight of pump, lock it open and tag it to prevent unexpected power application.

ELECTRICAL

Step 4. Ground the pump permanently using a wire of the same size as that specified in wiring chart, below. Make ground connection to green grounding terminal under motor canopy marked GRD. or .

Step 5. Connect ground wire to a grounded lead in the service panel or to a metal underground water pipe or well casing at least 10 feet long. Do not connect to plastic pipe or insulated fittings.

Step 6. Protect current carrying and grounding conductors from cuts, grease, heat, oil, and chemicals.

Step 7. Connect current carrying conductors to terminals L1 and L2 under motor canopy. When replacing motor, check wiring diagram on motor nameplate against Figure 3. If the motor wiring diagram does not match either diagram in Figure 3, follow the diagram on the motor.

IMPORTANT: 115/230 Volt single phase models are shipped from factory with motor wired for 230 volts. If power supply is 115 volts, remove motor canopy and reconnect motor as shown in Figure 3. Do not try to run motor as received on 115 volt current.

Step 8. Motor has automatic internal thermal overload protection. If motor has stopped for unknown reasons, thermal overload may restart it unexpectedly, which could cause injury or property damage. Disconnect power before servicing motor.

Step 9. For more assistance on this procedure or the wiring diagrams, consult a licensed electrician.

Recommended Wire and Fuse Sizes

HP	Wire	Volts	Fuse Rating (amps)	Distance in Feet (M) from Meter to Motor for AWG Wire Sizes							
				#14 AWG	#12 AWG	#10 AWG	#8 AWG	#6 AWG	#4 AWG	#2 AWG	#0 AWG
1	1	115	40	—	51' (16)	82' (25)	128' (39)	182' (55)	296' (90)	432' (132)	592' (180)
		230	20	134' (41)	204 (62)	326 (99)	511 (156)	770 (235)	1183 (361)	—	—
	3	230	10	276 (84)	437 (133)	685 (209)	1055 (322)	—	—	—	—
		460	5	1103 (336)	—	—	—	—	—	—	—
1-1/2	1	115	45	—	—	64 (20)	100 (30)	151 (46)	232 (271)	338 (103)	463 (141)
		230	25	105 (32)	160 (49)	255 (78)	400 (122)	602 (183)	926 (282)	1351 (412)	—
	3	230	15	197 (60)	312 (95)	489 (149)	753 (230)	1785 (544)	—	—	—
		460	7 - 1/2	788 (240)	1249 (381)	—	—	—	—	—	—
2	1	230	30	85 (26)	129 (39)	206 (63)	323 (98)	486 (148)	747 (228)	1090 (332)	—
	3	230	20	167 (51)	265 (81)	415 (126)	640 (195)	982 (299)	1515 (462)	—	—
		460	10	669 (204)	1060 (323)	—	—	—	—	—	—

Pumping Capacity in GPM (LPM) at Indicated Pressure and Depth

Catalog No.	Order No.	HP	Discharge Pressure in PSI (kPa)	Depth To Water In Feet (Meters)				
				5' (1.5)	10' (3)	15' (4.6)	20' (6.1)	25' (7.6)
DMC-2-100	07052	1	20 (138)	43 (163)	42 (159)	41 (155)	39 (148)	37 (140)
			30 (207)	36 (136)	35 (132)	33 (125)	31 (117)	28 (106)
			40 (276)	27 (102)	26 (98)	23 (87)	19 (72)	16 (61)
			50 (345)	14 (53)	—	—	—	—
DMC-2-150	07053	1-1/2	20 (138)	49 (185)	47 (178)	46 (174)	45 (170)	44 (167)
			30 (207)	43 (163)	42 (159)	41 (155)	40 (151)	39 (148)
			40 (276)	37 (140)	36 (136)	35 (132)	33 (125)	31 (117)
			50 (345)	30 (114)	27 (102)	25 (95)	22 (83)	19 (72)
			60 (413)	15 (57)	10 (38)	—	—	—
DMC-2-200 and DMC-2-200-3 (3-phase)	07054	2	30 (207)	49 (185)	48 (182)	47 (178)	46 (174)	46 (174)
			40 (276)	44 (167)	43 (163)	42 (159)	40 (151)	39 (148)
			50 (345)	38 (144)	36 (136)	35 (132)	33 (125)	31 (117)
			60 (413)	30 (114)	27 (102)	24 (91)	21 (79)	15 (57)

OPERATION

PRIMING THE PUMP

NOTICE: 'Priming' refers to pump expelling all air in the system and beginning to move water from its source out into system. It does not refer only to pouring water into pump (although pouring water in is usually the first step).

CAUTION NEVER run pump dry. Running pump without water may cause pump to overheat, damaging seal and possibly causing burns to persons handling pump. Fill pump with water before starting.

Step 1. Remove priming plug.

Step 2. Make sure suction and discharge valves and any hoses on discharge side of pump are open.

Step 3. Fill pump and suction pipe with water (Fig. 4).

Step 4. Replace priming plug, using Teflon tape on thread; tighten plug.

NOTICE: If priming tee and plug have been provided for long horizontal run, be sure to fill suction pipe through this tee and replace plug. (Use Teflon tape on plug.)

Step 5. Start pump; water should be produced in 10 minutes or less, time depends on depth to water (not more than 20' (6 m)) and length of horizontal run (10' (3 m) of horizontal suction pipe = 1' (30.5 cm) of vertical lift due to friction losses in pipe). If no water is produced within 10 minutes, stop pump, release all pressure, remove priming plug, refill and try again.

WARNING NEVER run pump against closed discharge. To do so can boil water inside pump, causing hazardous pressure in unit, risk of explosion and possibly scalding persons handling pump (Fig. 5). Replace priming plug with pressure gauge to monitor pressure so that it is not allowed to exceed maximum pumping pressures according to performance chart.

NOTICE: Open water system faucets before priming pump for the first time.

Remove priming plug.

Step A. Fully open control valve (turn counterclockwise).

Step B. Fill pump and suction pipe with water.

Step C. Replace priming plug, using Teflon tape on plug thread; tighten plug.

To prevent explosion, do the following:

Step A. Be sure discharge (valve, pistol grip hose nozzle, etc.) is open whenever pump is running.

Step B. If pump fails to produce water when attempting to prime, release all pressure, drain pump and refill with cold water after every attempt.

Step C. When priming, monitor pump body and piping temperature. Motor will warm up; this is normal. If pump body or piping begin to feel warm to touch, shut off pump and allow system to cool. Release all pressure in system and refill pump and piping with cold water.

Step D. Make sure discharge pipe and zone size are not too small for this pumps performance.

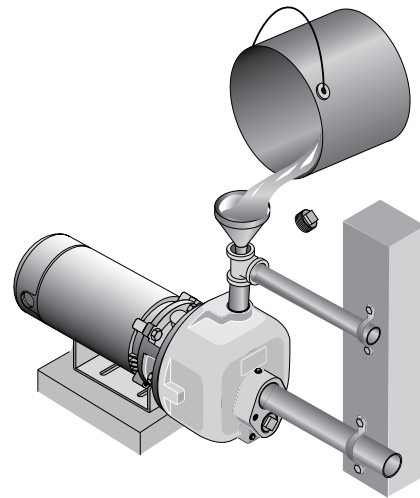


Figure 4: Fill Pump Before Starting

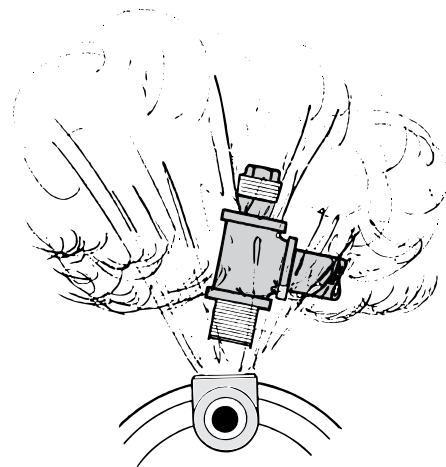


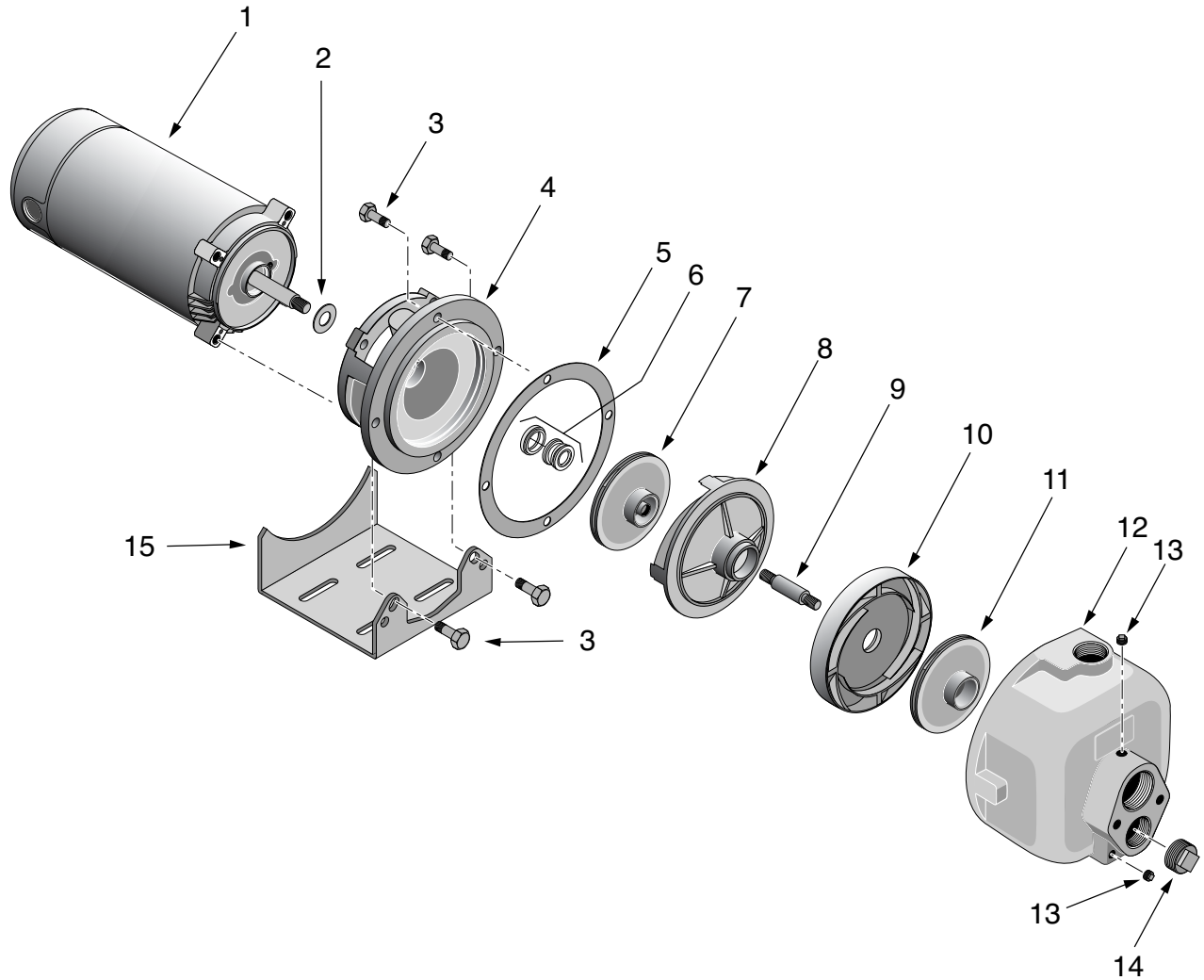
Figure 5: Do Not Run Pump With Outlet Shut Off

TROUBLESHOOTING

⚠ WARNING Capacitor voltage may be hazardous. To discharge capacitor, hold insulated handle screwdriver **BY THE HANDLE** and short capacitor terminals together. Do not touch metal screwdriver blade or capacitor terminals. If in doubt, consult a qualified electrician.

SYMPTOM	POSSIBLE CAUSE(S)	CORRECTIVE ACTION
Motor will not run	Disconnect switch is off Fuse is blown or circuit breaker tripped Starting switch is defective Wires at motor are loose, disconnected, or wired incorrectly	Be sure switch is on. Replace fuse or reset circuit breaker. DISCONNECT POWER; Replace starting switch. Refer to instructions on wiring (Page 7). DISCONNECT POWER; check and tighten all wiring.
Motor runs hot and overload kicks off or motor does not run and only hums	Motor is wired incorrectly Voltage is too low	Refer to instructions on wiring. Check voltage being supplied to motor. Install heavier wiring if wire size is too small (See Electrical / Wiring Chart).
Motor runs but no water is delivered* * (Note: <i>Stop pump</i> ; then check prime before looking for other causes. Unscrew priming plug and see if water is in priming hole).	Pump in new installation did not pick up prime through: 1. Improper priming 2. Air leaks 3. Leaking foot valve or check valve 4. Pipe size too small Pump has lost prime through: 1. Air leaks 2. Water level below suction pipe inlet Impeller is plugged Check valve or foot valve is stuck shut Pipes are frozen Foot valve and/or strainer are buried in sand or mud	In new installation: 1. Re-prime according to instructions. 2. Check all connections on suction line, with soapy water or shaving cream. 3. Replace foot valve or check valve. 4. Re-pipe using size of suction and discharge ports on pump. In installation already in use: 1. Check all connections on suction line and shaft seal with soapy water. 2. Lower suction line into water and re-prime. If receding water level in well exceeds 25' (7.6M), a deep well pump is needed. Clean impeller. Replace check valve or foot valve. Thaw pipes. Bury pipes below frost line. Heat pit or pump house. Raise foot valve and/or strainer above bottom of water source. Clean foot valve and strainer.
*Pump does not deliver water to full capacity	Water level in well is lower than estimated Steel piping (if used) is corroded or limed, causing excess friction Piping is too small in size Pump not being supplied with enough water	A deep well jet will be needed if your well is more than 25' (7.6M) depth to water. Replace with plastic pipe where possible, otherwise with new steel pipe. Re-pipe using size of suction and discharge ports on pump. Add additional well points.

REPAIR PARTS



Repair Parts

Key No.	Description	Qty.	DMC-2-100 1 HP	DMC-2-150 1-1/2 HP	DMC-2-200 2 HP
1	Motor	1	77026	77145	77024*
2	Slinger	1	17351-0009	17351-0009	17359-0009
3	3/8-16x1" Capscrew	8	†	†	†
4	Seal Plate/Bracket	1	27433	27433	27433
5	Gasket	1	26360	26360	26360
6	Shaft Seal	1	17038	17038	17038
7	Rear Impeller	1	31290	31289	31290
8	Rear Diffuser	1	26322	26322	26322
9	Shaft Extension	1	34834	34834	34834
10	Front Diffuser	1	86807	86807	86807
11	Front Impeller	1	27387	27387	27387
12	Pump Body	1	27369	27369	27369
13	1/4" -18 Square Head Pipe Plug	2	†	†	†
14	1"-11-1/2 Square Head Pipe Plug	1	†	†	†
15	Motor Base	1	34867	34867	34867*

† Purchase locally.

* 3HP DMC-2-200-3 uses 3-phase motor 76909 and motor base 35004.



PENTAIR

Pompes centrifuges

**NOTICE D'INSTALLATION
ET D'UTILISATION**

STA-RITE®

Série DMC à deux étages

**Puissances : de 1 à 2 CV
60 cycles**

Installations monophasées

Dossier du propriétaire

Modèle de la pompe: _____

N° de série de la pompe: _____

Code de date de la pompe: _____

Puissance du moteur (en ch) _____

Tension en volts _____ Phase(s) _____

Date de l'installation: _____

Propriétaire: _____

Installateur: _____

Numéro de téléphone de l'installateur: _____

**Sta-Rite
293 Wright St., Delavan, WI 53115
Tél: 888-782-7483 Télécopieur: 800-426-9446
WWW.STA-RITE.COM**

SÉCURITÉ

LIRE TOUTES CES INSTRUCTIONS ET LES SUIVRE!

⚠ Ce symbole indique qu'il faut être prudent. Lorsque ce symbole apparaît sur la pompe ou dans cette Notice, rechercher une des mises en garde qui suivent, car elles indiquent un potentiel possible de blessures corporelles :

⚠ DANGER avertit d'un danger **qui causera** des blessures corporelles, la mort ou des dommages matériels importants si on l'ignore.

⚠ AVERTISSEMENT avertit d'un danger **qui risque** de causer des blessures corporelles, la mort ou des dommages matériels importants si on l'ignore.

⚠ ATTENTION avertit d'un danger qui **causera** ou qui **risquera** de causer des blessures corporelles, la mort ou des dommages matériels importants si on l'ignore.

Le mot **NOTA** indique des instructions spéciales et importantes n'ayant aucun rapport avec les dangers.

Lire attentivement toutes les consignes de sécurité contenues dans cette Notice ou collées sur la pompe.

Garder les autocollants de sécurité en bon état; les remplacer s'ils manquent ou s'ils ont été endommagés.

Prendre des mesures de sécurité dans l'atelier pour protéger les enfants : poser des cadenas et des interrupteurs généraux, et enlever les clés de mise en marche.

Avertissement lié à la proposition 65 de la Californie

⚠ AVERTISSEMENT Ce produit et les accessoires connexes contiennent des produits chimiques reconnus dans l'État de Californie comme pouvant provoquer des cancers, des anomalies congénitales ou d'autres dangers relatifs à la reproduction.

⚠ AVERTISSEMENT

Tension dangereuse. Risque d'électrocution, de brûlure ou d'accident mortel.
Mettre la pompe à la terre avant de brancher l'alimentation électrique.

⚠ Câbler le moteur pour la tension appropriée. Voir la section «Installation électrique» du présent manuel et les indications sur la plaque du moteur.

⚠ Mettre le moteur à la terre avant de brancher l'alimentation électrique.

⚠ Effectuer l'ensemble du câblage conformément aux Codes de l'électricité nationaux ou locaux.

⚠ Respecter les instructions de câblage contenues dans le manuel au moment de connecter le moteur aux lignes d'alimentation.

SÉCURITÉ CONCERNANT L'ÉLECTRICITÉ

⚠ AVERTISSEMENT La tension du condensateur peut être dangereuse. Pour décharger le condensateur du moteur, tenir un tournevis à manche isolé **PAR LE MANCHE** et mettre en court-circuit les bornes du condensateur.

Ne pas toucher la lame métallique du tournevis ni les bornes du condensateur. En cas de doute, consulter un électricien qualifié.

SÉCURITÉ GÉNÉRALE

⚠ ATTENTION Ne pas toucher un moteur qui fonctionne. Les moteurs modernes peuvent fonctionner par des températures élevées. Pour ne pas se brûler lorsque l'on interviendra sur la pompe, la laisser refroidir pendant 20 minutes après l'avoir arrêtée avant de la toucher.

Ne pas laisser geler la pompe ni aucun autre élément du système, sinon la garantie sera annulée.

Ne pomper que de l'eau avec cette pompe.


Périodiquement, inspecter la pompe et tous les éléments du système.

Toujours porter des lunettes de sécurité lorsque l'on intervient sur une pompe.

Garder la zone de travail propre, non encombrée et bien éclairée; tous les outils et tout l'équipement non utilisés doivent être entreposés correctement.

Ne pas laisser les visiteurs s'approcher de la zone de travail.

Ne jamais faire fonctionner la pompe à des pressions supérieures à celles recommandées et indiquées dans le tableau des rendements ou si le robinet du refoulement est fermé.

	⚠ AVERTISSEMENT Pression dangereuse ! Ne pas faire fonctionner la pompe avec le dispositif de refoulement en position fermée. Relâcher toute la pression du système avant d'intervenir sur l'un de ses éléments.
--	--

GARANTIE

Garantie limitée

STA-RITE garantit au consommateur initial (ci-après appelé l'« Acheteur ») que les produits énumérés dans les présentes sont exempts de défaut de matériau et de fabrication pendant la durée des garanties à compter de la durée des garanties indiquées ci-dessous.

Produits	Durée des garanties
Produits de systèmes d'eau — Pompes à éjecteur, petites pompes centrifuges, pompes submersibles et tous les accessoires connexes	<i>Selon le premier terme atteint :</i> 12 mois à compter de la date de la première installation ou 18 mois à compter de la date de fabrication
Réservoirs composites Pro-Source™	5 ans à compter de la date de la première installation
Réservoirs sous pression en acier Pro-Source™	5 ans à compter de la date de la première installation
Réservoirs revêtus d'époxyde Pro-Source™	3 ans à compter de la date de la première installation
Produits de puisard/d'égout/d'effluents	12 mois à compter de la date de la première installation ou 18 mois à compter de la date de fabrication

Nos garanties ne s'appliquent pas aux produits ayant fait l'objet de négligence, d'une mauvaise utilisation, d'une mauvaise installation ou d'un manque d'entretien adéquat. Sans aucune limitation des présentes, la garantie des moteurs triphasés submersibles sera nulle et non avenue si ces moteurs sont branchés et fonctionnent sur le courant monophasé par l'intermédiaire d'un déphaseur. Il faut également noter que les moteurs triphasés doivent être protégés par un relais de surcharge tripolaire thermocompensé à déclenchement extrêmement rapide du calibre recommandé, sinon la garantie sera nulle et non avenue.

Le seul recours de l'Acheteur et la seule responsabilité de STA-RITE consistent à réparer ou à remplacer (au choix de STA-RITE) les produits qui se révéleraient défectueux. L'Acheteur s'engage à payer tous les frais de main d'œuvre et d'expédition du produit couvert par sa garantie et de s'adresser au concessionnaire-installateur ayant procédé à l'installation dès qu'un problème est découvert pour obtenir un service sous garantie. Aucune demande de service en vertu de sa garantie ne sera acceptée après expiration de la durée de sa garantie. Ces garanties ne sont pas transférables.

STA-RITE DÉCLINE TOUTE RESPONSABILITÉ POUR TOUT DOMMAGE INDIRECT OU FORTUIT QUEL QU'IL SOIT.

LA GARANTIE LIMITÉE SUSMENTIONNÉE EST EXCLUSIVE ET REMPLACE TOUTES LES AUTRES GARANTIES EXPRESSES ET TACITES, Y COMPRIS, MAIS SANS S'Y LIMITER, LES GARANTIES DE QUALITÉ MARCHANDE ET D'ADAPTATION À UN USAGE PARTICULIER. LA GARANTIE LIMITÉE SUSMENTIONNÉE NE DOIT PAS ÊTRE PROLONGÉE AU-DELÀ DE LA DURÉE PRÉVUE AUX PRÉSENTES.

Certains états, territoires et certaines provinces ne permettent pas l'exclusion ou la limitation des dommages indirects ou fortuits, ni les limitations relatives à la durée des garanties tacites. Par conséquent, il se peut que les limitations ou les exclusions stipulées dans les présentes ne s'appliquent pas dans ce cas. Ces garanties accordent des droits juridiques précis, bien que l'on puisse bénéficier d'autres droits, selon la province, le territoire ou l'état dans lequel on réside.

La présente garantie limitée est entrée en vigueur le 1er juin 2011 et remplace toute garantie non datée ou antérieure à cette date.

STA-RITE INDUSTRIES

293 Wright Street • Delavan, WI U.S.A. 53115

Tél. : | 888-782-7483 • Télécopieur : | 800 426-9446 • Site Web : sta-rite.com

INSTALLATION

VANT D'INSTALLER LA POMPE

REMARQUE : L'eau ne doit pas se trouver à une profondeur en dessous de 6,1 m (20 pi) dans le puits.

- 1 ° Les longueurs de câble excessives et la présence de nombreux raccords augmentent les problèmes de friction et réduisent la capacité du débit. Installer la pompe le plus près possible du puits ; utiliser le moins de coudes et de raccords que possible. Vérifier si la tuyauterie d'aspiration est droite et si elle incline vers la pompe.
- 2 ° Vérifier que le puits et la tuyauterie ne contiennent pas de sable, d'impuretés, ni d'écailles. L'obstruction de la pompe par des corps étrangers annule la garantie. Utiliser une tuyauterie neuve pour obtenir les meilleurs résultats.
- 3 ° Protéger la pompe et l'ensemble de la canalisation contre le gel. L'exposition au gel fait éclater les canalisations, endommage la pompe, et annule la garantie. Se renseigner sur les normes de protection contre le gel en vigueur localement (en règle générale, il faut que la tuyauterie soit enterrée à 30,5 cm (12 po) au-dessous du niveau de la ligne de gel, et que la pompe soit isolée).
- 4 ° Vérifier que la tuyauterie et le clapet de pied sont propres et en bon état.
- 5 ° Vérifier l'absence de poches d'air dans le tuyau d'aspiration.
- 6 ° Vérifier l'absence de fuites dans le tuyau d'aspiration. Utiliser de la bande téflon ou de la pâte à joint Plasto-Joint Stik pour rendre hermétiques les raccords des tuyaux.
- 7 ° Les raccords universels montés près de la pompe et du puits faciliteront la distribution. Prévoir un espace suffisant pour le passage des clés de serrage.

⚠ AVERTISSEMENT L'ensemble de la pompe risque d'exploser si on l'utilise en pompe d'appoint. NE PAS utiliser la pompe pour la suralimentation.

⚠ ATTENTION Le moteur fonctionne normalement par des températures élevées et il sera trop chaud pour qu'on le touche. Pendant qu'il fonctionne, il est protégé contre les dommages que pourrait causer la chaleur par un disjoncteur interne à déclenchement automatique. Avant de manipuler la pompe ou le moteur, arrêter le moteur et le laisser refroidir pendant 20 minutes.

INSTALLATION DE LA TUYAUTERIE DU PUIT

REMARQUE : Appliquer la méthode d'installation ci-dessous qui correspond au type de puits utilisé.

INSTALLATION PUITTS CUVELÉ/CREUSÉ

- 1 ° Inspecter le clapet de pied pour s'assurer qu'il fonctionne librement. Inspecter la crépine pour s'assurer qu'elle est propre et bien fixée.
- 2 ° Relier le clapet de pied et l'épurateur à la première longueur du tuyau d'aspiration et abaisser le tuyau à l'intérieur du puits. Ajouter, selon le besoin, les sections de tuyaux et utiliser du ruban Téflon sur les filets mâles (utiliser des tuyaux de 1-1/2 pouce de diamètre pour l'aspiration). S'assurer que la tuyauterie d'aspiration ne présente aucune fuite, sinon la pompe perd de sa capacité et le pompage est défaillant. Installer le clapet de pied entre 3 et 6 m (10 à 20 pi) au-dessous du niveau le plus bas auquel l'eau descend pendant le fonctionnement de la pompe (niveau d'eau du pompage). L'entrepreneur du forage est capable de fournir ce type de renseignement.
- 3 ° Pour éviter que le sable et les sédiments ne pénètrent dans le système de la pompe, l'ensemble clapet de pied/épurateur doit être installé à 1,5 m (5 pi) au moins au-dessus du fond du puits.
- 4 ° Une fois la bonne profondeur atteinte, installer le plombage sanitaire sur le tuyau et dans le cylindre du puits. Serrer les boulons pour assurer l'étanchéité du cylindre.
- 5 ° Avec un clapet de pied, il est conseillé d'utiliser pour l'amorçage une connexion en té et un bouchon. (Fig. 1)

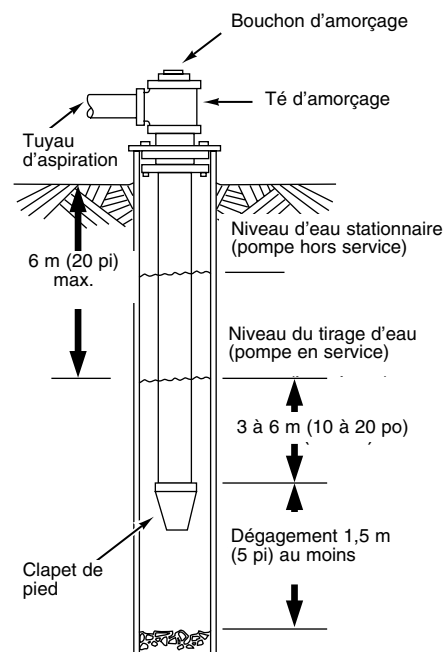


Figure 1: Installation de puits cuvelé creusé

INSTALLATION

INSTALLATION DE PUISAGE PAR POINT MENÉ

- 1 ° Relier le tuyau d'aspiration au point d'entraînement (Fig. 2). Prévoir une longueur de tuyau horizontale aussi courte que possible. Utiliser de la bande téflon sur les filets de tuyau mâles. Il faut sans doute puiser à partir de points de puits multiples pour alimenter suffisamment la pompe en eau.
- 2 ° Installer un clapet de retenue dans le tuyau horizontal. La flèche indiquant le flux de débit sur le clapet de retenue doit être orientée vers la pompe.

TUYAUTERIE HORIZONTALE ENTRE LE PUIS ET LA POMPE

- 1 ° Le rendement de la pompe diminuera si un tuyau d'un diamètre inférieur à 1-1/2 pouce est utilisé en tant que tuyau d'aspiration.
- 2 ° Pour faciliter l'amorçage de la pompe sur les installations par points de puisage, installer des clapets de retenue sur la tuyauterie. Vérifier si la flèche indiquant le flux du débit sur le clapet de retenue est orientée vers la pompe.

CALIBRE DU TUYAU DE REFOULEMENT

Le calibre du tuyau de refoulement doit être augmenté afin de réduire les pertes de pression provoquées par la friction sur les grandes longueurs de câblage. La dimension des tuyaux est basée sur le débit en gallons par minute, le type de tuyaux et leur longueur.

APPLICATION DE LA POMPE D'ARROSAGE

Cette pompe est conçue pour l'arrosage des pelouses. Elle débite une bonne quantité d'eau lorsque le système d'arrosage fonctionne à pleine pression. Elle est capable de pomper à partir d'un étang, d'une citerne, ou d'un puits. On peut séparer le refoulement de la pompe pour qu'il alimente 4 ou plusieurs systèmes d'arrosage. Ne pas utiliser si une pompe de surpression est déjà utilisée.

INSTALLATION DE LA POMPE/ CANALISATION INSTALLATION DE LA POMPE

Si la pompe est mise en marche et arrêtée par pression, un manostat et un réservoir sont requis. Pour connaître les instructions pour la bonne installation et le bon fonctionnement, appeler le service à la clientèle.

Utiliser un tuyau rigide. Ne pas utiliser de tuyaux flexibles ou en plastique. Voir «Installation de la tuyauterie du puits» pour plus de détails.

REMARQUE : N'utiliser que du ruban téflon ou de la pâte d'étanchéité pour raccords filetés à base de téflon pour procéder à tous les raccords filetés sur la pompe. **Ne pas utiliser de pâte pour raccords filetés sur les pompes en plastique :** cette pâte peut réagir avec les éléments en plastique de la pompe. S'assurer que tous les raccords du tuyau d'aspiration sont bien étanches, aussi bien à l'air qu'à l'eau. *Si le tuyau d'aspiration aspire de l'air, la pompe ne pompera pas l'eau du puits.*

- 1 ° Boulonner la pompe à un socle solide et à niveau.
- 2 ° Fixer la tuyauterie reliée à la pompe.
- 3 ° Envelopper les filets mâles de fixation sur la pompe avec 1-1/2 à 2 couches de bande téflon, en appliquant chacune dans le sens des aiguilles d'une montre (en faisant face à l'extrémité du tuyau).
- 4 ° Serrer les raccords à la main, un tour et demi à la fois. Ne pas trop forcer le serrage.
- 5 ° Remplacer le bouchon d'amorçage par un monomètre. Ceci permettra de déterminer la dimension des zones, de procéder à la recherche des pannes et de suivre les rendements de la pompe.

REMARQUE : Installer la pompe aussi près que possible de la tête du puits. Les longueurs de câble excessives et la présence de nombreux raccords augmentent les problèmes de friction et réduisent la capacité du débit.

REMARQUE : Pour les longs chemins de câblage à l'horizontale, monter une connexion d'amorçage en té entre le clapet de retenue et la tête du puits (Fig. 1). Pour les installations par points de puisage menés, installer un clapet de retenue sur la tuyauterie. Vérifier si la flèche indiquant le flux du débit sur le clapet de retenue est orientée **en direction** de la pompe.

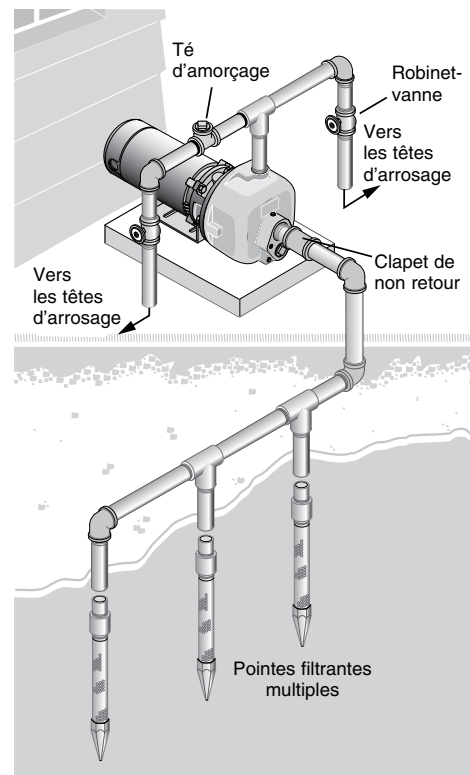


Figure 2 : Installation de puisage par pointes filtrantes multiples

ÉLECTRICITÉ

Schéma de connexion des moteurs monophasés bitension. La plaque à bornes du moteur bitension (qui se trouve sous le couvercle d'extrémité du moteur) ressemblera à la Figure 3. Si l'alimentation électrique est de 115 volts, utiliser un tournevis à lame plate ou un tourne-écrou pour changer le cadran de 230 volts à 115 volts (voir la Figure 3). Brancher les fils de tension sur L1 et L2.

NOTA: Dans le cas des moteurs triphasés, ou si le moteur ne correspond pas à ces illustrations, suivre le schéma de connexion de la plaque signalétique du moteur.

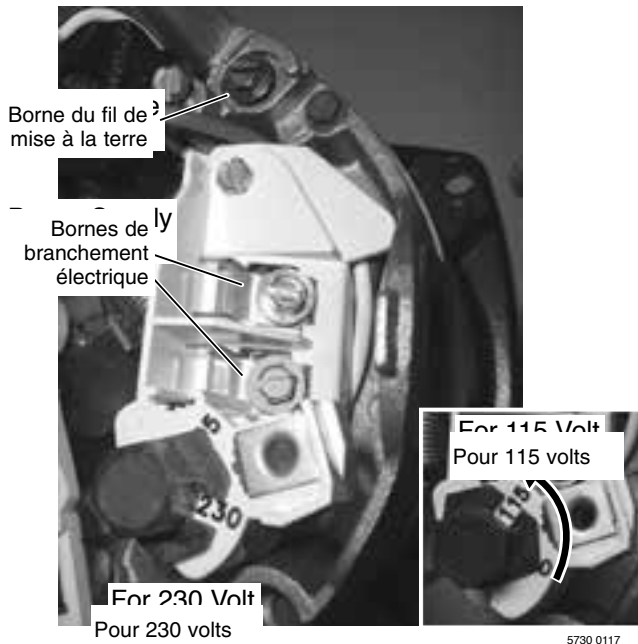


Figure 3 - Schéma de câblage des moteurs monophasés bitension 115/230 volts

⚠ AVERTISSEMENT Tension dangereuse. Risque de secousses électriques, de brûlures, voire de mort. Débrancher le moteur avant d'intervenir sur la pompe ou sur le moteur. Mettre le moteur à la terre avant de le brancher sur le courant d'alimentation.

CÂBLAGE

Mettre le moteur à la terre avant de le brancher sur le courant électrique. Ne pas mettre le moteur à la terre risque de causer des secousses électriques graves, voire mortelles.

⚠ Ne pas mettre à la terre sur une conduite d'alimentation en gaz.

⚠ Pour éviter les secousses électriques dangereuses, voire mortelles, couper le courant alimentant le moteur avant d'intervenir sur les connexions électriques.


⚠ La tension d'alimentation doit correspondre à $\pm 10\%$ de la tension indiquée sur la plaque signalétique. Une mauvaise tension risque de causer un incendie ou d'endommager le moteur et d'annuler la garantie. En cas de doute, s'adresser à un électricien qualifié.

⚠ Utiliser des fils d'après les diamètres spécifiés dans le Tableau de câblage (page 16). Dans la mesure du possible, brancher la pompe sur un circuit séparé sur lequel aucun autre appareil ne sera branché.

⚠ Câbler le moteur conformément au schéma figurant sur la plaque signalétique du moteur. Si le schéma de la plaque signalétique du moteur diffère de ceux ci-dessus, suivre le schéma de la plaque signalétique.

- 1 ° Cette pompe doit être installée, mise à la terre, câblée et entretenue conformément aux Codes de l'électricité. S'adresser à un inspecteur de la construction pour plus de renseignements concernant les codes.
- 2 ° Pour être protégé pendant que l'on intervient sur le moteur, prévoir un sectionneur équipé d'un fusible adéquat. Consulter les Codes de l'électricité de la municipalité et du Canada en ce qui concerne les sectionneurs.
- 3 ° Couper le courant avant d'intervenir sur la pompe ou sur le moteur. Si le sectionneur n'est pas visible de la pompe, le verrouiller en position ouverte et l'étiqueter pour empêcher que le courant puisse être rétabli accidentellement.

ÉLECTRICITÉ

- 4 ° La pompe doit être mise à la terre en permanence à l'aide d'un fil du même diamètre que celui spécifié dans le tableau de câblage. Procéder au raccordement de mise à la terre sur la borne de terre verte qui se trouve sous le carter du moteur et repérée GRD ou .
- 5 ° Brancher le fil de mise à la terre sur un fil de mise à la terre du tableau de distribution ou sur un tuyau d'eau métallique enterré ou sur le tubage d'un puits ayant au moins 10 pieds de long. Ne pas brancher sur un tuyau en plastique ou sur des raccords isolés.
- 6 ° Protéger les conducteurs transporteurs de courant mis à la terre contre les coupures, la graisse, la chaleur, l'huile et les produits chimiques.
- 7 ° Brancher les conducteurs transporteurs de courant sur les bornes L1 et L2 qui se trouvent sous le carter du moteur. Lorsque l'on remplace le moteur, comparer le schéma de câblage de la plaque signalétique par rapport à la Figure 3. Si le schéma de câblage du moteur ne correspond pas au schéma de la Figure 3, suivre le schéma de câblage du

moteur.

IMPORTANT : Les modèles monophasés fonctionnant sur le 115/230 volts sont expédiés de l'usine câblés pour fonctionner sur le 230 volts. Si le courant d'alimentation est de 115 volts, déposer le carter du moteur et rebrancher le moteur comme il est illustré à la Figure 3. Ne pas essayer de faire fonctionner un moteur comme il est reçu sur le courant de 115 volts.

8 ° Le moteur comporte une protection interne automatique contre les surcharges thermiques. Si, pour une raison inconnue, le moteur cesse de fonctionner, le protecteur contre les surcharges thermiques risque de redémarrer inopinément, ce qui risque de causer des blessures ou des dommages matériels. Toujours couper le courant avant d'intervenir sur le moteur.

9 ° Pour toute assistance concernant cette opération ou les schémas de câblage, consulter un électricien qualifié.

Indices des fusibles et des fils recommandés

CV	Conducteurs	Volts	Calibre des fusibles (en ampères)	Distance en pieds (mètres) du compteur au moteur pour les calibres de fils AWG							
				N°14 AWG	N°12 AWG	N°10 AWG	N°8 AWG	N°6 AWG	N°4 AWG	N°2 AWG	N°0 AWG
1	1	115	40	—	51' (16)	82' (25)	128' (39)	182' (55)	296' (90)	432' (132)	592' (180)
		230	20	134' (41)	204 (62)	326 (99)	511 (156)	770 (235)	1183 (361)	—	—
	3	230	10	276 (84)	437 (133)	685 (209)	1055 (322)	—	—	—	—
		460	5	1103 (336)	—	—	—	—	—	—	—
1-1/2	1	115	45	—	—	64 (20)	100 (30)	151 (46)	232 (271)	338 (103)	463 (141)
		230	25	105 (32)	160 (49)	255 (78)	400 (122)	602 (183)	926 (282)	1351 (412)	—
	3	230	15	197 (60)	312 (95)	489 (149)	753 (230)	1785 (544)	—	—	—
		460	7 - 1/2	788 (240)	1249 (381)	—	—	—	—	—	—
2	1	230	30	85 (26)	129 (39)	206 (63)	323 (98)	486 (148)	747 (228)	1090 (332)	—
	3	230	20	167 (51)	265 (81)	415 (126)	640 (195)	982 (299)	1515 (462)	—	—
		460	10	669 (204)	1060 (323)	—	—	—	—	—	—

*Les fusibles recommandés pour tous les circuits du moteur sont les fusibles temporisés à bicomposants ou de type Fusetron.

Capacité de pompage en gal./min. (L/min.) aux pressions et profondeurs indiquées

N° de catalogue	N° de commande	CV	Pressions de refoulement en PSI (kPa)	Profondeurs jusqu'à l'eau en pieds (mètres)				
				5' (1.5)	10' (3)	15' (4.6)	20' (6.1)	25' (7.6)
DMC-2-100	07052	1	20 (138)	43 (163)	42 (159)	41 (155)	39 (148)	37 (140)
			30 (207)	36 (136)	35 (132)	33 (125)	31 (117)	28 (106)
			40 (276)	27 (102)	26 (98)	23 (87)	19 (72)	16 (61)
			50 (345)	14 (53)	—	—	—	—
DMC-2-150	07053	1-1/2	20 (138)	49 (185)	47 (178)	46 (174)	45 (170)	44 (167)
			30 (207)	43 (163)	42 (159)	41 (155)	40 (151)	39 (148)
			40 (276)	37 (140)	36 (136)	35 (132)	33 (125)	31 (117)
			50 (345)	30 (114)	27 (102)	25 (95)	22 (83)	19 (72)
			60 (413)	15 (57)	10 (38)	—	—	—
DMC-2-200 et DMC-2-200-3 (3-phases)	07054	2	30 (207)	49 (185)	48 (182)	47 (178)	46 (174)	46 (174)
			40 (276)	44 (167)	43 (163)	42 (159)	40 (151)	39 (148)
			50 (345)	38 (144)	36 (136)	35 (132)	33 (125)	31 (117)
			60 (413)	30 (114)	27 (102)	24 (91)	21 (79)	15 (57)

FONCTIONNEMENT

AMORÇAGE DE LA POMPE

REMARQUE : L'“amorçage” signifie que la pompe chasse tout l'air hors du système, avant de commencer à pomper l'eau dans le système à partir de la source. L'amorçage ne concerne pas seulement le fait de verser de l'eau dans la pompe (même si cela est généralement la première étape de l'opération).

▲ ATTENTION Ne jamais faire tourner la pompe à sec. Si la pompe fonctionne sans apport d'eau, son mécanisme risque de surchauffer, et d'endommager le dispositif d'étanchéité et éventuellement de provoquer des brûlures corporelles aux personnes en train de manipuler la pompe. Verser de l'eau dans la pompe avant de commencer.

- 1 ° Déposer le bouchon d'amorçage.
- 2 ° S'assurer que les clapets d'aspiration et de refoulement et tous les flexibles du côté refoulement de la pompe sont en position ouvert.
- 3 ° Remplir d'eau la pompe et le tuyau d'aspiration (Fig. 4).
- 4 ° Remettre en place le bouchon d'amorçage et assurer son filetage avec de la bande téflon ; serrer le bouchon.

REMARQUE : Si une connexion en té et un bouchon d'amorçage sont utilisés dans le cadre d'un long chemin de tuyauterie horizontale, faire en sorte que le tuyau d'aspiration se remplit par ce té, et repositionner le bouchon (appliquer de la bande téflon sur le bouchon).

- 5 ° Mettre la pompe en marche ; elle doit pouvoir extraire l'eau en 10 minutes au plus, le temps d'extraction dépendant de la profondeur où la pompe va chercher l'eau (la profondeur ne doit pas descendre en dessous de 6 m (20 pi)), et de la longueur de canalisation horizontale (3 m (10 pi) de tuyau d'aspiration horizontal = 30,5 cm (1 pi) d'élévation verticale provoquée par les pertes de friction dans le tuyau). Si la pompe n'extrait aucune quantité d'eau dans les 10 minutes, arrêter la pompe, libérer toute la pression, déposer le bouchon d'amorçage, remplir d'eau et recommencer l'opération.

▲ AVERTISSEMENT NE JAMAIS faire fonctionner la pompe avec le dispositif de refoulement en position fermée. Cela peut faire bouillir l'eau à l'intérieur de la pompe, créant une pression dangereuse dans l'équipement posant des risques d'explosion, ce qui peut ébouillanter les personnes manipulant la pompe (Fig. 5). Remplacer le bouchon d'amorçage par un manomètre pour pouvoir surveiller la pression de façon qu'elle ne dépasse pas les pressions de pompage maximum, conformément au Tableau de rendement.

REMARQUE : Ouvrir les robinets du circuit d'eau avant d'amorcer la pompe pour la première fois.

Déposer le bouchon d'amorçage.

- A ° Ouvrir la vanne de débit à fond (dans le sens contraire des aiguilles d'une montre).
- B ° Remplir d'eau la pompe et le tuyau d'aspiration.
- C ° Remettre en place le bouchon d'amorçage et maintenir son filetage avec de la bande téflon ; serrer le bouchon.

Pour éviter les risques d'explosion, effectuer les opérations suivantes :

- A ° S'assurer que le refoulement (clapet, gicleur de flexible, etc.) est en position ouvert pendant le fonctionnement de la pompe.

- B ° Si la pompe n'extrait aucune quantité d'eau au moment de la tentative d'amorçage, relâcher toute la pression, vider la pompe et refaire le plein avec de l'eau froide après chaque essai.
- C ° Lors de l'amorçage, surveiller la température du corps de la pompe et de la tuyauterie. Le moteur montera en température; ceci est tout à fait normal. Si le corps de la pompe ou la tuyauterie venait à être chaud au toucher, arrêter la pompe et laisser refroidir le système. Dissiper toute la pression du système et refaire le plein de la pompe et de la tuyauterie avec de l'eau froide.
- D ° S'assurer que le tuyau de refoulement et que la dimension de la zone ne sont pas trop petits pour le rendement de cette pompe.

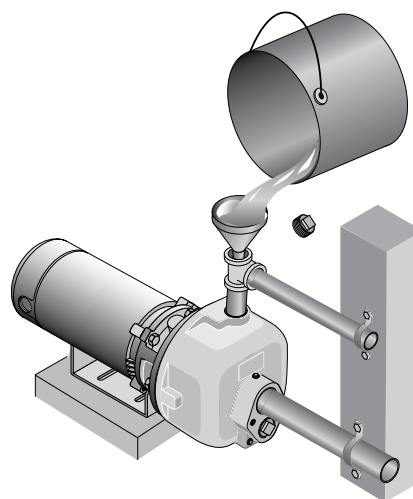


Figure 4: Remplir la pompe avant de commencer

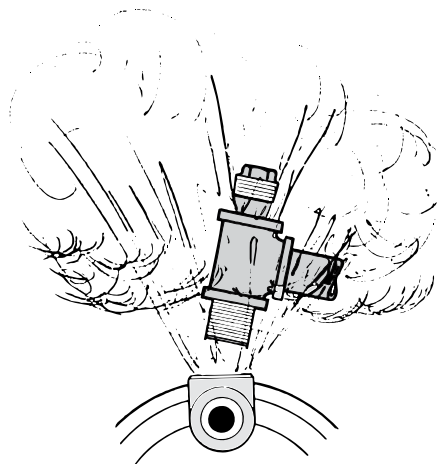


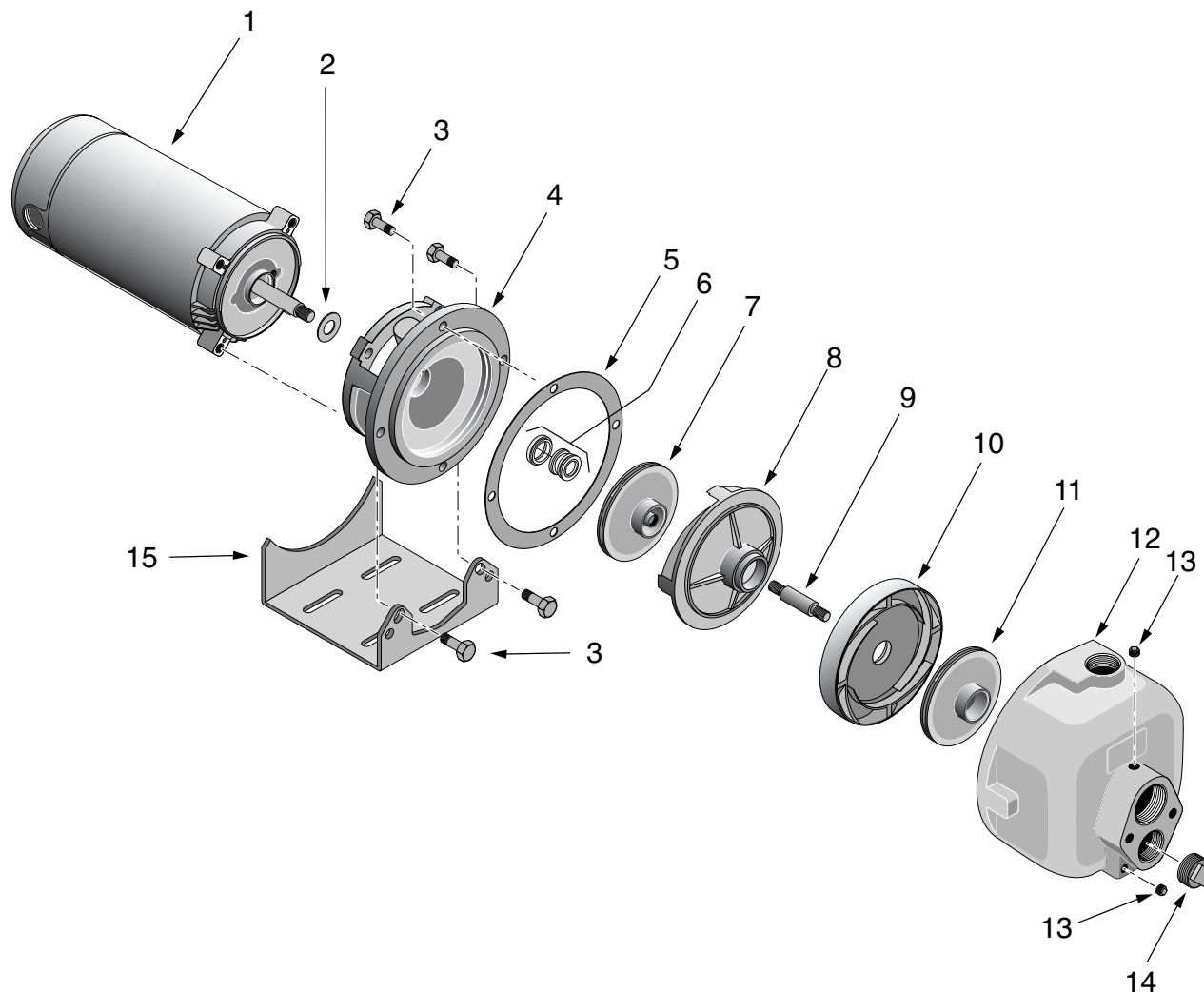
Figure 5: Ne pas faire fonctionner la pompe avec l'ouverture de refoulement fermée.

DIAGNOSTIC DES PANNES

⚠ AVERTISSEMENT La tension du condensateur peut être dangereuse. Pour décharger le condensateur, court-circuiter ensemble les bornes du condensateur, en tenant le tournevis dont le manche est isolé, PAR LE MANCHE. Ne toucher ni la lame métallique du tournevis ni les bornes du condensateur. En cas de doute, contacter un électricien qualifié.

SYMPTÔME	CAUSE(S) PROBABLE(S)	MESURE CORRECTIVE
Le moteur ne tourne pas.	Le sectionneur est en position arrêt. Le fusible est fondu. L'interrupteur de démarrage est défectueux. Les fils au niveau du moteur sont trop détendus, déconnectés, ou connectés de manière incorrecte.	Mettre le sectionneur en position marche. Remplacer le fusible. Remplacer l'interrupteur de démarrage. Se reporter aux instructions de câblage. Contrôler et serrer tous les fils.
Le moteur chauffe en fonctionnement et le dispositif de surcharge se déclenche ou bien le moteur ne fonctionne pas il bourdonne.	Le moteur n'est pas câblé correctement. La tension est trop faible.	Se reporter aux instructions de câblage. Vérifier la tension parvenant au moteur. Installer un câblage de type plus épais si le calibre du fil est trop mince (voir Schéma de câblage/Installation électrique).
Le moteur fonctionne mais ne débite pas d'eau. (*Remarque : Vérifier l'amorçage avant de rechercher d'autres causes de panne. Dévisser le bouchon d'amorçage et vérifier visuellement si le trou d'amorçage contient de l'eau.)	*La pompe de la nouvelle installation n'est pas parvenue à amorcer le prélèvement d'eau : 1. Amorçage incorrect. 2. Fuites d'air. 3. Fuite sur le clapet de pied. 4. Le diamètre du tuyau est trop petit. * La perte d'amorçage de la pompe est provoquée par : 1. Fuites d'air. 2. Niveau d'eau au-dessous du seuil d'aspiration de la pompe. La roue motrice est bloquée. Vérifier si le clapet de retenu ou le clapet de pied est bloqué en position fermée. La tuyauterie est gelée. Faire chauffer la cavité ou le logement de la pompe.	Dans une nouvelle installation : 1. Réamorcer la pompe en suivant les instructions. 2. Vérifier tous les raccords de la conduite d'aspiration avec de l'eau savonneuse ou de la crème à raser. 3. Remplacer le clapet de pied. 4. Poser des tuyaux de plus gros et du même diamètre que les orifices d'aspiration et de refoulement de la pompe. Dans une installation fonctionnant déjà : 1. Vérifier les connexions sur le tuyau d'aspiration et le joint d'étanchéité de l'arbre avec de l'eau savonneuse. 2. Abaisser le tuyau d'aspiration dans le volume d'eau du puits et réamorcer la pompe. Si la baisse de niveau de l'eau dans le puits est supérieure à la force d'élevation de l'aspiration, il faut utiliser une pompe de puisage en eau profonde. Nettoyer la roue motrice. Remplacer le clapet de retenu ou le clapet de pied. Faire fondre l'eau des tuyaux. Enterrer les tuyaux au-dessous de la ligne de gel. Le clapet de pied et/ou l'épurateur sont enfouis dans le sable ou la boue. Extraire le clapet de pied et/ou l'épurateur et les élever du fond du puits.
*La pompe n'extraie pas volume.	Le niveau d'eau dans le puits est plus bas le débit d'eau à plein L'acier de la tuyauterie utilisée (le cas échéant) est corrodé ou limé, ce qui provoque une friction excessive. Le diamètre du tuyau est trop petit. Pas assez d'eau parvient à la pompe	Il faut sans doute utiliser une pompe à vide adaptée à un puisage en eau profonde que prévu. (à une profondeur descendant en dessous de 6,1 m (20 pi)). Remplacer l'installation par des tuyaux en plastique quand c'est possible, ou sinon, par des nouveaux tuyaux en acier. Poser des tuyaux de plus gros et du même diamètre que les orifices d'aspiration et de refoulement de la pompe. Ajouter d'autres pointes filtrantes.

PIÈCES DE RECHANGE



Pièces de rechange

Réf.	Désignation	Qté.	DMC-2-100 1 ch	DMC-2-150 1-1/2 ch	DMC-2-200 2 ch
1	Moteur	1	77026	77145	77024*
2	Défecteur	1	17351-0009	17351-0009	17359-0009
3	Vis d'assemblage de 3/8-16x1 po	8	†	†	†
4	Plaque d'étanchéité/support	1	27433	27433	27433
5	Joint plat	1	26360	26360	26360
6	Bague d'étanchéité de l'arbre	1	17038	17038	17038
7	Impulseur arrière	1	31290	31289	31290
8	Diffuseur arrière	1	26322	26322	26322
9	Rallonge de l'arbre	1	34834	34834	34834
10	Diffuseur avant	1	86807	86807	86807
11	Impulseur avant	1	27387	27387	27387
12	Corps de la pompe	1	27369	27369	27369
13	Bouchon fileté à tête carrée de 1/4 de po - 18	2	†	†	†
14	Bouchon fileté à tête carrée de 1 po - 11 1/2	1	†	†	†
15	Socle du moteur	1	34867	34867	34867*

† Pièces à acheter localement.

* Le modèle DMC-2-200-3 est doté d'un moteur triphasé 76909 et d'un socle-moteur 35004.



PENTAIR

Bombas centrífugas

STA-RITE®

**MANUAL DE INSTALACIÓN
Y DE OPERACIÓN**

Serie DMC de dos etapas

**Gama de potencia: 1 - 2 HP
60 ciclos**

Instalaciones monofásicas

Registro del propietario

Modelo de la bomba: _____

No. de serie de la bomba: _____

Código de fecha de la bomba: _____

H.P. del motor _____ Tensión _____ Fase _____

Fecha de instalación: _____

Propietario: _____

Instalador: _____

Número de teléfono del instalador: _____

**Sta-Rite
293 Wright St., Delavan, WI 53115
Teléfono: 888-782-7483 Fax: 800-426-9446
WWW.STA-RITE.COM**

SEGURIDAD

LEA Y SIGA LAS INSTRUCCIONES DE SEGURIDAD!

⚠ Este es el símbolo de alerta de seguridad. Cuando usted vea este símbolo en su bomba o en este manual, busque alguna de las siguientes palabras de advertencia y esté alerta a la posibilidad de una herida personal:

⚠ PELIGRO advierte acerca de los peligros que **ocasionarán** lesiones personales serias, la muerte o un daño severo a la propiedad si se ignoran dichos peligros.

⚠ ADVERTENCIA advierte acerca de los peligros que **pueden** ocasionar lesiones personales serias, la muerte o un daño severo a la propiedad si se ignoran dichos peligros.

⚠ PRECAUCIÓN advierte acerca de los peligros que **ocasionarán** o **podrán** ocasionar lesiones personales menores o daños a la propiedad si se ignoran dichos peligros.

La etiqueta **AVISO** indica instrucciones especiales que son importantes pero no relacionados a los peligros.

Lea y siga cuidadosamente todas las instrucciones de seguridad en este manual y en la bomba.

Mantenga las etiquetas de seguridad en buenas condiciones.

Reemplace las etiquetas de seguridad faltantes o dañadas.

Haga los talleres a prueba de niños. Use candados e interruptores maestros; retire las llaves de arranque

Advertencia de la Proposición 65 de California

⚠ ADVERTENCIA Este producto y accesorios afines contienen sustancias químicas identificadas por el Estado de California como carcinógenas y que provocan defectos congénitos u otros daños para la salud reproductora.

⚠ ADVERTENCIA

Voltaje peligroso. Puede ser causa de descargas, quemaduras, o muerte.
Ponga a tierra la bomba antes de conectar la fuente eléctrica de alimentación.

- ⚠ Conecte el motor al voltaje correcto. Véase la sección "Electricidad" del presente manual y los datos sobre la chapa del motor.**
- ⚠ Ponga a tierra el motor antes de conectarlo a la corriente eléctrica.**
- ⚠ Respete todas las disposiciones del Código Nacional de Electricidad, del Código Canadiense de Electricidad y los códigos locales en todos los alambrados.**
- ⚠ Respete las instrucciones sobre el alambrado dadas en el presente manual al conectar el motor a la línea de corriente eléctrica.**

SEGURIDAD ELECTRICA

⚠ ADVERTENCIA El voltaje del capacitor puede ser **peligroso**. Para descargar el capacitor del motor, tome un desatornillador con mango aislado **POR EL MANGO** y ponga en corto las terminales del capacitor. No toque la superficie de metal del desatornillador ni las terminales del capacitor. Si tiene alguna duda, consulte a un electricista calificado.

SEGURIDAD GENERAL

⚠ PRECAUCIÓN No toque un motor en operación. Los motores modernos pueden funcionar a alta temperatura. Para evitar quemaduras al realizar el servicio a una bomba, déjela enfriar por 20 minutos después de apagarla.

No deje que la bomba o el sistema de tubería se congelen. El congelamiento puede dañar la bomba y la tubería, puede provocar lesiones por fallas del equipo y anulará la garantía.

Utilice esta bomba solamente para bombear agua.


Inspeccione periódicamente la bomba y los componentes del sistema.

Cuando trabaje con bombas use siempre anteojos de seguridad.

Mantenga el lugar de trabajo limpio, sin objetos acumulados y adecuadamente iluminado. Guarde como corresponde todas las herramientas y equipos sin utilizar.

Mantenga a los visitantes a una distancia segura de los lugares de trabajo.

Nunca haga marchar la bomba por encima de la presión recomendada que aparece en el cuadro de desempeño, o con la válvula de descarga cerrada.

	⚠ ADVERTENCIA
	¡Presión peligrosa! No haga funcionar la bomba con la descarga cerrada.
	Reduzca a cero todas las presiones del sistema antes de trabajar en ningún componente.

GARANTÍA

Garantía limitada

STA-RITE le garantiza al comprador/consumidor original ("Comprador" o "Usted") de los productos enumerados abajo, que estos estarán libres de defectos en material y mano de obra durante el Período de garantía indicado a continuación.

Producto	Período de garantía
Productos de sistemas de agua — bombas de chorro, pequeñas bombas centrífugas, bombas sumergibles inicial, o y accesorios asociados	<i>lo que ocurra primero:</i> 12 meses desde la fecha de la instalación, o 18 meses desde la fecha de fabricación
Tanques de compuesto Pro-Source™	5 años desde la fecha de la instalación inicial
Tanques a presión de acero Pro-Source™	5 años desde la fecha de la instalación inicial
Tanques con revestimiento epoxídico Pro-Source™	3 años desde la fecha de la instalación inicial
Productos para sumideros/aguas residuales/efluente	12 meses desde la fecha de la instalación inicial, o 18 meses desde la fecha de fabricación

Nuestra garantía no se aplicará a ningún producto que, a nuestro sólo juicio, haya sido sometido a negligencia, mal uso, instalación inadecuada o mal mantenimiento. Sin perjuicio a lo que antecede, la garantía quedará anulada en el caso en que un motor trifásico se haya usado con una fuente de alimentación monofásica, a través de un convertidor de fase. Es importante indicar que los motores trifásicos deben estar protegidos por relés de sobrecarga de disparo extra-rápido, con compensación ambiental de tres etapas, del tamaño recomendado, de lo contrario, la garantía quedará anulada.

Su único recurso, y la única obligación de STA-RITE es que STA-RITE repare o reemplace los productos defectuosos (a juicio de STA-RITE). Usted deberá pagar todos los cargos de mano de obra y de envío asociados con esta garantía y deberá solicitar el servicio bajo garantía a través del concesionario instalador tan pronto como se descubra un problema. No se aceptará ninguna solicitud de servicio bajo garantía que se reciba después del vencimiento del Período de Garantía. Esta garantía no se puede transferir.

STA-RITE NO SE HARÁ RESPONSABLE DE NINGÚN DAÑO CONSECUENTE, INCIDENTAL O CONTINGENTE.

LAS GARANTÍAS LIMITADAS QUE ANTECEDEN SON EXCLUSIVAS Y EN LUGAR DE TODA OTRA GARANTÍA EXPLÍCITA E IMPLÍCITA, INCLUYENDO, PERO SIN LIMITARSE A LAS GARANTÍAS IMPLÍCITAS DE COMERCIABILIDAD E IDONEIDAD PARA UN FIN ESPECÍFICO. LAS GARANTÍAS LIMITADAS QUE ANTECEDEN NO SE EXTENDERÁN MÁS ALLÁ DEL PERÍODO DE DURACIÓN INDICADO EN LA PRESENTE.

Algunos estados no permiten la exclusión o limitación de daños incidentales o consecuentes o de limitaciones de tiempo sobre garantías implícitas, de modo que es posible que las limitaciones o exclusiones que preceden no correspondan en su caso. Esta garantía le otorga derechos legales específicos y es posible que usted también tenga otros derechos que pueden variar de un estado al otro.

Esta Garantía Limitada entra en vigor el 1 de junio de 2011 y sustituye toda garantía sin fecha o garantía con fecha anterior al 1 de junio de 2011.

STA-RITE INDUSTRIES

293 Wright Street • Delavan, WI U.S.A. 53115

Teléfono: 1-888-782-7483 • Fax: 1-800-426-9446 • Sitio Web: sta-rite.com

INSTALACIÓN

ANTES DE INSTALAR LA BOMBA

AVISO: El nivel de agua en el pozo no debe estar a una distancia mayor de 20 pies (6,1 m).

- Paso 1. El uso de tramos prolongados y el empleo de numerosos accesorios aumenta la fricción y reduce el caudal. Ubique la bomba lo más cerca posible del pozo, use la cantidad mínima posible de codos y uniones, asegúrese de que el tubo de succión sea recto y esté orientado hacia la bomba.
- Paso 2. Asegúrese de que el pozo y el tubo estén limpios, sin arena, suciedad o incrustaciones. Las materias extrañas taponarán la bomba y cancelarán la garantía. Para obtener los mejores resultados use tubos nuevos.
- Paso 3. Proteja la bomba y toda la tubería contra el congelamiento. El congelamiento rajará los tubos, dañará la bomba y anulará la garantía. Verifique en la localidad cuáles son las medidas de protección contra el congelamiento (por lo común la tubería debe enterrarse unas 12 pulg. [30 cm] por debajo del nivel de la helada y la bomba deberá aislarse).
- Paso 4. Asegúrese de que todos los tubos y la válvula de pie estén limpios y en buen estado.
- Paso 5. Verifique que en el tubo de succión no queden espacios llenos de aire.
- Paso 6. Verifique que no haya pérdidas en el tubo de succión. Use cinta de teflón o masilla de juntas para sellar las uniones entre tubos.
- Paso 7. Las uniones instaladas cerca de la bomba y del pozo facilitan los servicios a la instalación. Deje suficiente lugar para utilizar llaves.

⚠ ADVERTENCIA El cuerpo de la bomba puede explotar si la bomba se utiliza como bomba de presión. **NO USE** la bomba para obtener aumentos de presión.

⚠ PRECAUCIÓN El motor normalmente funciona a altas temperaturas y estará muy caliente para tocarlo. Esta protegido contra el daño que puede causar el calor durante el funcionamiento mediante un interruptor interno de cierre automático. Antes de manipular la bomba o el motor, pare el motor y déjelo enfriar durante aproximadamente 20 minutos.

INSTALACIÓN DEL TUBO EN EL POZO

AVISO: Use el método de instalación descrito a continuación que mejor se adapte al tipo de pozo que usted tiene.

INSTALACIÓN EN POZO REVESTIDO O EN POZO EXCAVADO

- Paso 1. Inspect foot valve to be sure it works freely. Inspeccione la válvula de pie para asegurarse de que funcione sin problemas. Inspeccione la cesta de aspiración para asegurarse de que esté limpia y firme.
- Paso 2. Conecte la válvula de pie y el filtro al primer tramo del tubo de succión y baje el tubo por el interior del pozo. Agregue secciones a la tubería según se requiera, usando una cinta de Teflón en las roscas macho (use tubos de 1-1/2" para tuberías de aspiración). Use cinta de teflón sobre las roscas macho. Asegúrese de que no haya pérdidas a través de todo el tubo de succión, en caso contrario la bomba perderá el cebado y dejará de bombear. Instale la válvula de pie a unos 10 a 20 pies (3 a 6 m) por debajo del nivel mínimo al que descenderá el agua con la bomba en funcionamiento (abatimiento). El perforador de pozos que haga el trabajo le podrá dar esta información.
- Paso 3. Para impedir que la arena y los sedimentos entren al sistema de bombeo la válvula de pie y el filtro deben estar por lo menos a 5 pies (1,5 m) por encima del fondo del pozo.
- Paso 4. Cuando se alcance la profundidad correcta coloque el sello sanitario sobre el pozo y dentro del revestimiento del pozo. Ajuste los pernos para sellar la tubería de revestimiento.
- Paso 5. Cuando se usa válvula de pie se recomienda una unión T con tapón para cebar la bomba (Fig. 1).

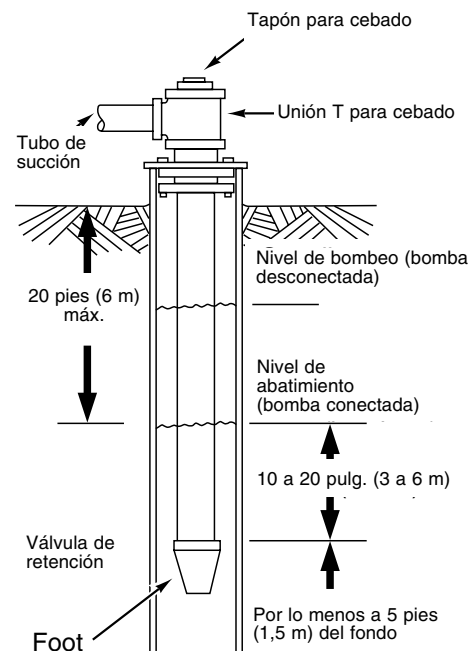


Figura 1: Instalación en pozo revestido o excavado

INSTALACIÓN

INSTALACIÓN EN POZOS CON TUBERÍA HINCADA

- Paso 1. Conecte el tubo de succión al tubo enclavado (fig. 2). Mantenga el tramo de tubo horizontal tan corto como sea posible. Use cinta de teflón en las roscas machos. Quizás sean necesarios varios pozos hincados para que proporcionen suficiente agua a la bomba.
- Paso 2. Instale una válvula de retención en el tubo horizontal. La flecha indicadora de dirección de flujo en la válvula de retención debe apuntar hacia la bomba.

TUBERÍA HORIZONTAL DEL POZO A LA BOMBA

- Paso 1. El rendimiento de la bomba disminuirá si se usa un tubo menor de 1-1/2" como tubo de aspiración.
- Paso 2. Para facilitar el cebado en las instalaciones de tubos de pozos hincados, instale una válvula de retención en la tubería. Asegúrese de que la flecha indicadora de sentido de flujo en la válvula de retención apunte hacia la bomba.

TAMAÑOS DE LOS TUBOS DE DESCARGA

El tamaño del tubo de descarga debe aumentarse para reducir las pérdidas de presión causadas por fricción en tramos de tubería de gran longitud. El tamaño de la tubería se basa en los GPM, el tipo de tubería y el largo de la tubería.

APLICACIÓN PARA REGADÍO DE CÉSPED

Esta bomba, que se ha diseñado para regar césped, entrega un considerable caudal de agua con presión plena en los rociadores. La bomba bombea de albercas, cisternas o pozos. La descarga de la bomba puede dividirse para abastecer a 4 o más sistemas de rociadores.

No la use en aplicaciones de bomba de refuerzo.

INSTALACIÓN DE LA BOMBA Y TUBERÍAS

Si la bomba se enciende y apaga por medio de presión, se requieren un conmutador a presión y un tanque. Para instrucciones sobre la instalación y operación adecuadas llame al departamento de servicio al cliente.

Use tubería rígida. No utilice mangueras o tubos de plástico. Para mayor información consúltese la sección "Instalación de la tubería en el pozo".

AVISO: Utilice solamente cinta de teflón o compuestos para enchufes a base de teflón para todas las conexiones de rosca a la bomba. **No use compuestos de burlete para tuberías en bombas de plástico:** estos pueden reaccionar con los componentes de plástico de la bomba. Asegúrese de que todos los burletes en la tuberías de aspiración sean impermeables y herméticos. *Si la tubería de aspiración aspira aire, la bomba no podrá sacar agua del pozo.*

- Paso 1. Instale la bomba con pernos a una base sólida y nivelada.
- Paso 2. Instale todas las tuberías conectadas a la bomba.
- Paso 3. Envuelva a dos capas de cinta de teflón en sentido de las agujas del reloj (mirando de frente al tubo) en todas las roscas macho que se conecten a la bomba.
- Paso 4. Apriete las juntas manualmente hasta ponerlas firmes y añada una y media vueltas. **No ajuste en exceso.**
- Paso 5. Substituya el tapón de cebado con un manómetro. Esto ayudará a calcular el tamaño de las zonas, localizar fallas y en la lectura de la tabla de rendimiento de la bomba.

AVISO: Instale la bomba tan cerca de la boca del pozo como sea posible. Los tramos largos de tubería y el uso de numerosos accesorios crean fricción y reducen el caudal.

AVISO: Para tramos de tuberías horizontales muy largos, instale una unión T para cebado entre la válvula de retención y la boca del pozo (fig. 1). Para las instalaciones de pozos hincados instale la válvula de retención. Asegúrese de que la flecha indicadora de dirección de corriente en la válvula de retención apunta **hacia** la bomba.

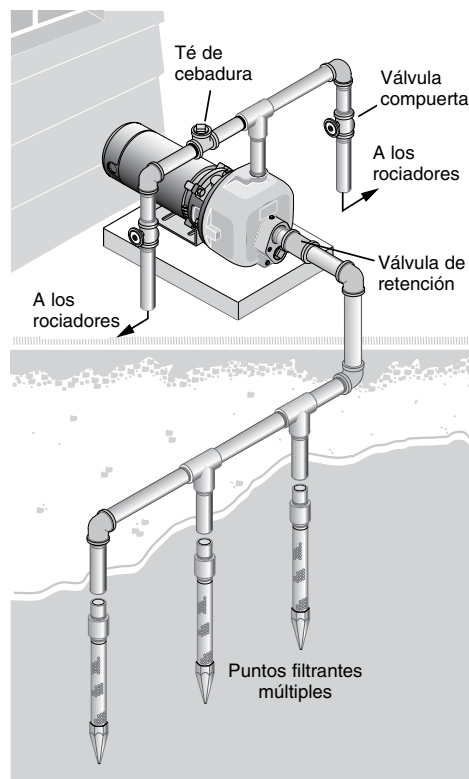


Figura 2: Instalación en pozos hincados, pozos hincados múltiples

ÉLECTRICITÉ

Diagrama de conexión para motores monofásicos de doble tensión. El tablero de bornes de su motor de doble tensión (debajo de la cobertura del motor) será similar al que aparece en la Figura 3. Si su suministro de corriente eléctrica es de 115 voltios, use un destornillador de hoja plana o un sacatuercas para cambiar el cuadrante de 230 voltios a 115 voltios (consulte la Figura 3). Conecte los cables de suministro de corriente a L1 y L2.

NOTA: Para los motores trifásicos o si el motor no corresponde a estos diagramas, siga el diagrama de conexión que aparece en la placa de fábrica del motor.

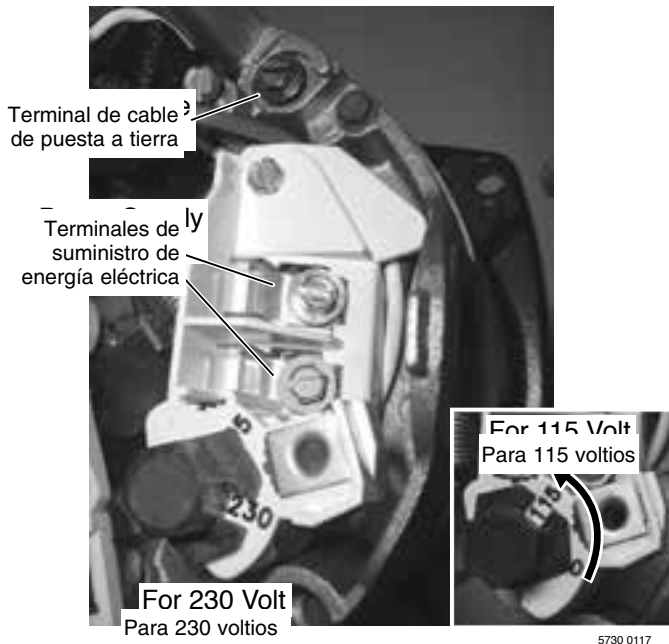


Figura 3 - Diagrama de cableado monofásico de doble tensión 115/230 V

⚠ ADVERTENCIA Tensión peligrosa. Puede causar choques, quemaduras o muerte. Desconecte la corriente al motor antes de trabajar en la bomba o en el motor. Conecte el motor a tierra antes de conectarlo al suministro de corriente.

CABLEADO

⚠ Conecte el motor a tierra antes de conectarlo al suministro de energía eléctrica. Si no se conecta el motor a tierra existe el riesgo de choque eléctrico grave o fatal.

⚠ La conexión a tierra no debe ser por medio de una línea de suministro de gas.

⚠ Para evitar choques eléctricos peligrosos o fatales, apague el motor antes de trabajar con conexiones eléctricas.


⚠ La tensión de suministro debe encontrarse dentro de $\pm 10\%$ de la tensión de la placa de fábrica. Una tensión incorrecta puede causar incendios o dañar al motor, anulando la garantía. Si está en duda, consulte con un electricista certificado.

⚠ Use alambres del tamaño especificado en la Tabla de Cableado (Página 25). Si es posible, conecte la bomba a un circuito derivado separado, sin otros aparatos conectados al mismo.

⚠ Conecte los cables del motor según el diagrama que aparece en la placa de fábrica del motor. Si el diagrama de la placa de fábrica es diferente a los diagramas presentados arriba, siga el diagrama de la placa de fábrica.

- Paso 1. Instale, ponga a tierra, conecte los cables y mantenga esta bomba conforme a los requisitos del código eléctrico. Consulte a su inspector local de construcciones para obtener información sobre los códigos.
- Paso 2. Suministre un interruptor de desconexión con el fusible correcto para protección mientras se trabaja con el motor. Consulte los códigos eléctricos locales o nacionales con respecto a los requisitos para interruptores.
- Paso 3. Desconecte la corriente antes de reparar el motor o la bomba. Si el interruptor de desconexión está fuera de la vista de la bomba, trábelo en posición abierta y ponga un etiqueta para evitar que se aplique la corriente accidentalmente.

ÉLECTRICITÉ

- Paso 4. Conecte la bomba a tierra en forma permanente usando un alambre del mismo tamaño que el especificado en la tabla de cableado. Haga la conexión a tierra con el borne verde de puesta a tierra bajo el techo que está marcado GRD o .
- Paso 5. Conecte el alambre de puesta a tierra a un cable de ida a tierra en el tablero de servicio o a una tubería de metal para agua subterránea o una envoltura para pozos de por lo menos 10 pies de largo. No conecte a un tubo de plástico o a accesorios aislados.
- Paso 6. Proteja los conductores de puesta a tierra y los que llevan la corriente contra cortes, grasa, calor, aceite y productos químicos.
- Paso 7. Conecte los conductores que llevan la corriente a los bornes L1 y L2 bajo el techo del motor. Cuando cambie el motor, inspeccione el diagrama de cableado en la placa de fábrica del motor contra la Figura 3. Si el diagrama de cableado del motor no corresponde a ninguno de los diagramas en la Figura 3, siga el diagrama en el motor.

IMPORTANTE: Los modelos monofásicos de 115/230 voltios se despachan de fábrica con el motor cableado para 230 voltios. Si el suministro de corriente es de 115 voltios, saque el techo del motor y vuelva a conectarlo según se ilustra en la Figura 3. No trate de hacer marchar el motor en el estado que se recibió, si la corriente es de 115 voltios.

Paso 8. El motor tiene una protección automática interna de sobrecarga térmica. Si el motor se ha detenido por razones desconocidas, la sobrecarga térmica puede volver a arrancarlo sorpresivamente, lo que podría causar lesiones o daños a la propiedad. Desconecte el suministro de corriente antes de reparar el motor.

Paso 9. Para obtener más ayuda con este procedimiento o con los diagramas de cableado, consulte a un electricista certificado.

Tamaños recomendados para el alambre y los fusibles

HP	Cable	Tensión	Amperaje del fusible	Distancia en pies (m) desde el contador al motor para los tamaños de hilos AWG							
				#14 AWG	#12 AWG	#10 AWG	#8 AWG	#6 AWG	#4 AWG	#2 AWG	#0 AWG
1	1	115	40	—	51' (16)	82' (25)	128' (39)	182' (55)	296' (90)	432' (132)	592' (180)
		230	20	134' (41)	204 (62)	326 (99)	511 (156)	770 (235)	1183 (361)	—	—
	3	230	10	276 (84)	437 (133)	685 (209)	1055 (322)	—	—	—	—
		460	5	1103 (336)	—	—	—	—	—	—	—
1-1/2	1	115	45	—	—	64 (20)	100 (30)	151 (46)	232 (271)	338 (103)	463 (141)
		230	25	105 (32)	160 (49)	255 (78)	400 (122)	602 (183)	926 (282)	1351 (412)	—
	3	230	15	197 (60)	312 (95)	489 (149)	753 (230)	1785 (544)	—	—	—
		460	7 - 1/2	788 (240)	1249 (381)	—	—	—	—	—	—
2	1	230	30	85 (26)	129 (39)	206 (63)	323 (98)	486 (148)	747 (228)	1090 (332)	—
	3	230	20	167 (51)	265 (81)	415 (126)	640 (195)	982 (299)	1515 (462)	—	—
		460	10	669 (204)	1060 (323)	—	—	—	—	—	—

*Para todos los circuitos del motor se recomienda el uso de fusibles de doble elemento o del tipo Fustron con retardo de tiempo.

Capacidad de bombeo en gpm (lpm) a la presión y profundidad indicadas

No. de catálogo	No. de orden	HP	Presión de descarga en psi (kPa)	Profundidad al agua en pies (metros)				
				5' (1.5)	10' (3)	15' (4.6)	20' (6.1)	25' (7.6)
DMC-2-100	07052	1	20 (138)	43 (163)	42 (159)	41 (155)	39 (148)	37 (140)
			30 (207)	36 (136)	35 (132)	33 (125)	31 (117)	28 (106)
			40 (276)	27 (102)	26 (98)	23 (87)	19 (72)	16 (61)
			50 (345)	14 (53)	—	—	—	—
DMC-2-150	07053	1-1/2	20 (138)	49 (185)	47 (178)	46 (174)	45 (170)	44 (167)
			30 (207)	43 (163)	42 (159)	41 (155)	40 (151)	39 (148)
			40 (276)	37 (140)	36 (136)	35 (132)	33 (125)	31 (117)
			50 (345)	30 (114)	27 (102)	25 (95)	22 (83)	19 (72)
			60 (413)	15 (57)	10 (38)	—	—	—
DMC-2-200 y DMC-2-200-3 (trifásicas)	07054	2	30 (207)	49 (185)	48 (182)	47 (178)	46 (174)	46 (174)
			40 (276)	44 (167)	43 (163)	42 (159)	40 (151)	39 (148)
			50 (345)	38 (144)	36 (136)	35 (132)	33 (125)	31 (117)
			60 (413)	30 (114)	27 (102)	24 (91)	21 (79)	15 (57)

OPERACIÓN

CEBADO DE LA BOMBA

AVISO: La operación de “cebado” se refiere a la operación en que la bomba expulsa todo el aire contenido en el sistema y comienza a desplazar agua de la fuente al sistema. No se refiere solamente al hecho de llenar la bomba de agua, aunque ésta sea normalmente la primera de todas las operaciones.

JAMÁS deje que la bomba funcione en seco. El hecho de hacer funcionar la bomba sin agua puede causar sobrecalentamiento, provocar daños en los retenes de sello y posiblemente causar quemaduras a la persona que maneja la bomba. Llene la bomba con agua antes de comenzar su operación.

Paso 1. Retire el tapón de cebado.

Paso 2. Asegúrese de que las válvulas de succión y descarga y toda manguera que se hubiera conectado al lado de la descarga de la bomba estén despejadas.

Paso 3. Llene la bomba y el tubo de succión con agua (figura 4).

Paso 4. Para reponer el tapón de cebado utilice cinta de teflón en la rosca: ajuste bien el tapón.

AVISO: Si la unión T de cebado y su tapón están conectados a un tramo de tubería horizontal largo, asegúrese de llenar el tubo de succión a través de la T y vuelva a colocar el tapón (use cinta de teflón en el tapón).

Paso 5. Ponga en marcha la bomba, ésta deberá producir agua en menos de 10 minutos, el tiempo depende de la altura que separa a la bomba del agua (que no debe ser mayor de 20 pies/6 m), y de la longitud del tramo horizontal (10 pies o 3 m) de tubo horizontal de succión que equivalen a 1 pie (30,5 cm) de ascenso vertical debido a las pérdidas de fricción producidas en el tubo. Si no sale agua dentro de los 10 minutos, detenga la bomba, reduzca toda la presión, saque el tapón de cebado, vuelva a llenar y pruebe nuevamente.

⚠ ADVERTENCIA **JAMÁS haga funcionar la bomba con la descarga cerrada. Si así se hace, el agua en la bomba puede hervir y provocar presiones peligrosas dentro de la unidad, con riesgo de explosión y posibles quemaduras de las personas que manejan la bomba (fig. 5). Substituya el tapón de cebado con un manómetro para controlar la presión de modo que no se permita exceder el máximo de presión de bombeo según la tabla de rendimiento.**

AVISO: Abra las llaves (canillas) del sistema de agua corriente antes de cebar la bomba por primera vez.

Retire el tapón de cebado.

Paso A. Abra totalmente la válvula de control girándola en sentido contrario a las agujas del reloj.

Paso B. Llene la bomba y el tubo de succión con agua.

Paso C. Reponga el tapón de cebado, coloque cinta de teflón en la rosca del tapón y ajústelo.

Para impedir explosiones haga lo siguiente:

Paso A. Asegúrese de que la válvula de descarga, el pico de la pistola del riego y otros medios de descarga estén abiertos cuando la bomba esté en funcionamiento.

Paso B. Si después de tratar de cebar el sistema la bomba no produjera agua reduzca a cero toda la presión, drene la bomba y vuelva a llenarla con agua fría después de cada tentativa.

Paso C. Al cebar la bomba, controlar el cuerpo de la misma y la temperatura de los tubos. Normalmente, el motor se calentará. No obstante, si el cuerpo de la bomba o el tubo empieza a sentirse tibio al tacto, cerrar la bomba y dejar que se enfríe el sistema. Dejar salir la presión y llenar la bomba y los tubos con agua fría.

Paso D. **Asegúrese de que el tubo de descarga y el tamaño de la zona no sean demasiado pequeños para el rendimiento de esta bomba.**

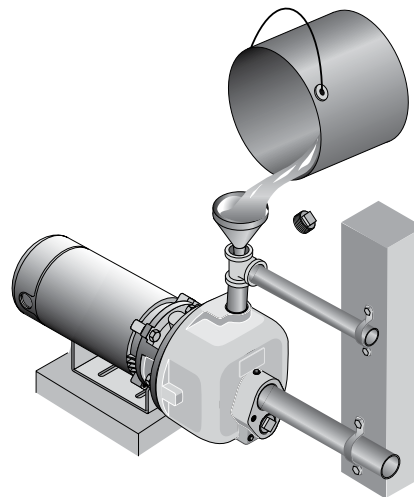


Figura 4: Llene la bomba antes de comenzar

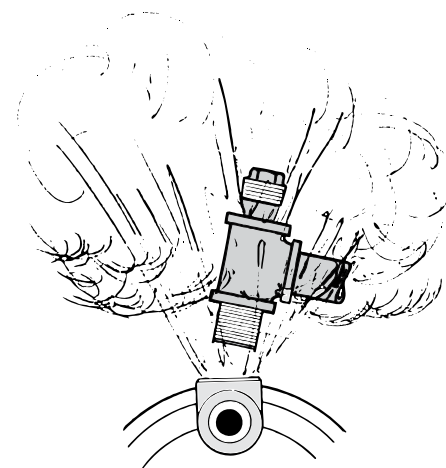


Figura 5: No haga funcionar la bomba con la descarga cerrada

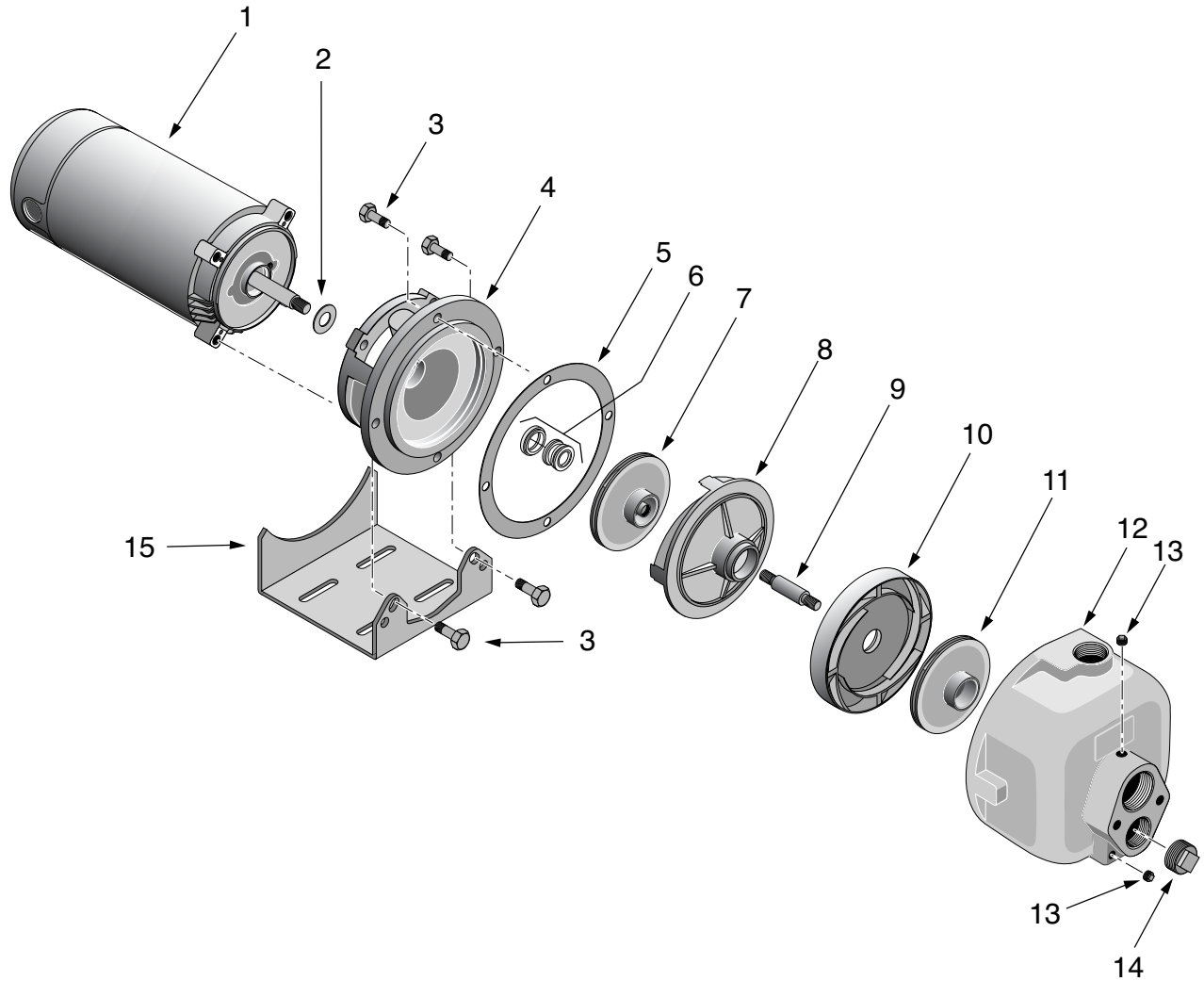
SOLUCIÓN DE PROBLEMAS

⚠ ADVERTENCIA

El voltaje del capacitor puede ser peligroso. Para descargar el capacitor use un destornillador de mango aislado. Teniendo el destornillador POR EL MANGO haga un cortocircuito a los terminales del capacitor. No toque la parte metálica del destornillador ni los terminales del capacitor. En caso de duda consulte a un electricista capacitado.

SÍNTOMA	CAUSA PROBABLE	MEDIDA CORRECTIVA
El motor no funciona	El interruptor de desconexión está abierto (OFF). El fusible está quemado. El interruptor de puesta en marcha está fallado. Los alambres de conexión al motor están flojos, desconectados o conectados incorrectamente.	Asegúrese de que el interruptor esté conectado (ON). Reemplace el fusible. Reemplace el interruptor de puesta en marcha. Consulte las instrucciones sobre conexiones de alambrado. Verifique y ajuste todas las conexiones.
El motor funciona en caliente y el interruptor de sobrecarga interrumpe la corriente o el motor no funciona y solamente hace ruido.	El motor está conectado incorrectamente. El voltaje es demasiado bajo.	Consulte las instrucciones sobre conexiones de alambrado. Examine la tensión suministrada al motor. Instale alambres de mayor diámetro si el diámetro de los conductores es muy reducido. (Vea Cuadro de Conexiones Eléctricas y Alambrado)
El motor funciona pero no sale agua (* Nota: Verifique el cebado antes de comenzar a buscar otras causas. Destornille el tapón de cebado y compruebe que haya agua dentro del agujero.)	* El motor de una nueva instalación no ha recibido suficiente agua de cebado: 1. Cebado inadecuado. 2. Pérdidas de aire. 3. Hay una fuga en la válvula de pie. 4. El tamaño del tubo es demasiado pequeño. * La bomba ha perdido el cebado debido a: 1. fugas de aire. 2. El nivel de agua se encuentra por debajo del nivel de succión de la bomba. El impulsor está tapado Verifique el estado de la válvula, la válvula de pie puede estar enclavada en posición cerrada. La tubería se ha congelado. La válvula de pie, el filtro o ambos están enterrados en arena o lodo.	En las nuevas instalaciones: 1. Vuelva a cebar de acuerdo con las instrucciones. 2. Verifique el estado de todas las conexiones y de la línea de succión. 3. Reemplace la válvula de pie 4. Cambie la tubería usando el tamaño de los orificios de aspiración y descarga en la bomba. En instalaciones ya en uso: 1. Verifique las conexiones en la línea de succión y el sello de la bomba con agua jabonosa. 2. Baje la tubería de succión a mayor profundidad en el agua y vuelva a cebar. Si el nivel de abatimiento en el pozo es superior a la capacidad de la bomba, se necesita una bomba para pozo profundo. Limpie el impulsor. Reemplace la válvula de retención o la válvula de pie. Descongele la tubería. La tubería debe enterrarse por debajo del nivel de congelamiento. Instale calefacción en el pozo o en la casa de bombas.
* La bomba no bombea agua a capacidad plena.	El nivel de agua en el pozo es inferior al calculado. La tubería de acero (en caso de que se usara) está corroída o tiene incrustaciones de calcio, lo que causa un exceso de presión. El tamaño del tubo es demasiado pequeño La bomba no recibe suficiente agua	Podrá ser necesario instalar una bomba de chorro para pozo profundo (más de 20 pies/6,1 m de profundidad hasta el agua). Reemplace la tubería con tubería de plástico, si fuera posible, en caso contrario utilice una tubería nueva de acero. Cambie el tubo usando el tamaño de los orificios de aspiración y descarga en la bomba. Agregue puntos filtrantes adicionales.

REFACCIONES



Piezas de repuesto

Clave No.	Descripción	Cant.	DMC-2-100 1 HP	DMC-2-150 1-1/2 HP	DMC-2-200 2 HP
1	Motor	1	77026	77145	77024*
2	Deflector	1	17351-0009	17351-0009	17359-0009
3	Tornillo prisionero de 3/8 – 16 X 1"	8	†	†	†
4	Placa de estanqueidad / ménsula	1	27433	27433	27433
5	Empaquetadura	1	26360	26360	26360
6	Sello del eje	1	17038	17038	17038
7	Impulsor trasero	1	31290	31289	31290
8	Difusor trasero	1	26322	26322	26322
9	Alargue del eje	1	34834	34834	34834
10	Difusor delantero	1	86807	86807	86807
11	Impulsor delantero	1	27387	27387	27387
12	Unidad de la bomba	1	27369	27369	27369
13	Tapón de tubo de cabeza cuadrada de 1/4" - 18	2	†	†	†
14	Tapón de tubo de cabeza cuadrada de 1" 11-1/2	1	†	†	†
15	Base del motor	1	34867	34867	34867*

† Se debe adquirir a nivel local.

* La DMC-2-200-3 de 3 HP usa motor trifásico 76909 y base de motor 35004

