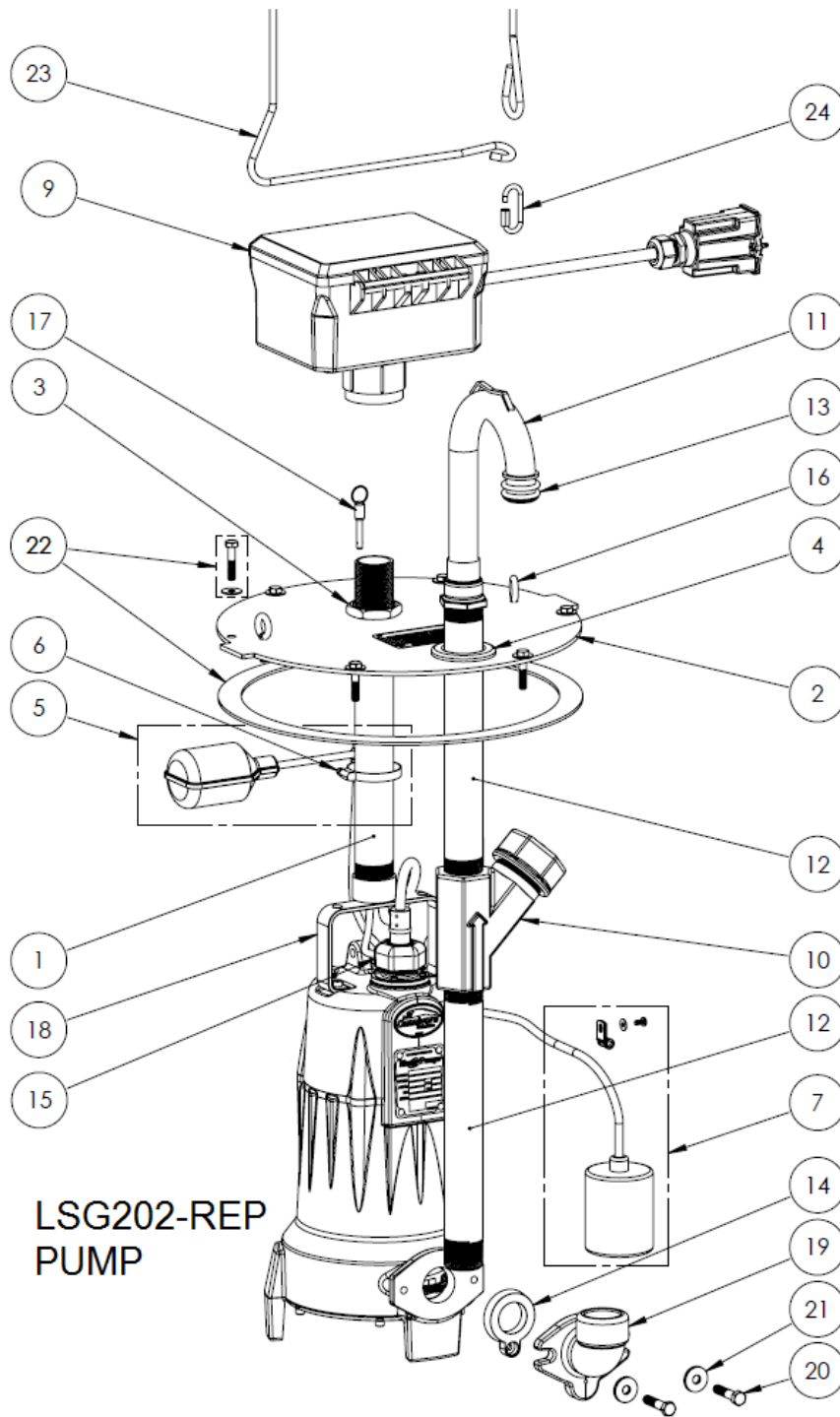


LSG202-RE (B53)



LSG202-RE

LSG202-RE (B53)

| # | PART # | DESCRIPTION | QTY | Note |
|----------|---------------|---|------------|-------------|
| 1 | 5669000 | 1-1/4" PIPE HANGER, STRAIGHT THREADS | 1 | |
| 2 | 5661000 | COVER | 1 | |
| 3 | 5670000 | 1-1/4" GALVANIZED PIPE NUT | 2 | |
| 4 | K001353 | 4766000 PIPE SEAL GROMMET, 1-1/4" PIPE | 1 | |
| 5 | K001301 | ALARM SWITCH WITH CLAMP | 1 | |
| 6 | 5870000 | SWITCH CLAMP | 1 | |
| 7 | K001302 | PUMP SWITCH INCLUDING HARDWARE | 1 | |
| 9 | K001244 | ELECTRICAL ENCLOSURE | 1 | |
| 10 | ACV125 | 1.25" ANTI-SIPHON VALVE | 1 | |
| 11 | 5738000 | DISCHARGE ELBOW, STAINLESS STEEL | 1 | |
| 12 | 56710A0 | DISCHARGE PIPE, 1-1/4", STAINLESS STEEL | 2 | |
| 13 | 5666000 | O-RING | 2 | [1] |
| 14 | 5644000 | 1-1/4" FLANGE SEAL GROMMET | 1 | |
| 15 | K001303 | POWER CORD ASSY | 1 | |
| 16 | 5673000 | EYEBOLT | 2 | |
| 17 | 5662000 | QUICK RELEASE PIN | 1 | |
| 18 | 56740A0 | PUMP HANDLE / HANGER | 1 | |
| 19 | G90 | FLANGED ELBOW KIT, INCLUDES GASKET, SCREWS AND WASHER | 1 | |
| 20 | 8143000 | SCREW, 3/8-16 x 1-3/4 LG, SS | 2 | |
| 21 | 8158000 | WASHER, 3/8 x 1-1/8, SS | 2 | |
| 22 | K001304 | COVER GASKET INCLUDING HARDWARE | 1 | |
| 23 | 5667000 | 14 FT BLACK ROPE, SPECIAL ENDS | 1 | |
| 24 | 4755000 | 3/16" QUICK LINK, STAINLESS STEEL | 1 | |

PART NOTES:

[1] - Part requires factory authorized service. Contact Liberty Pumps at 1-800-543-2550