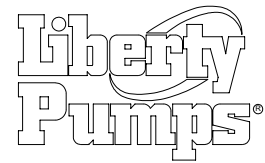
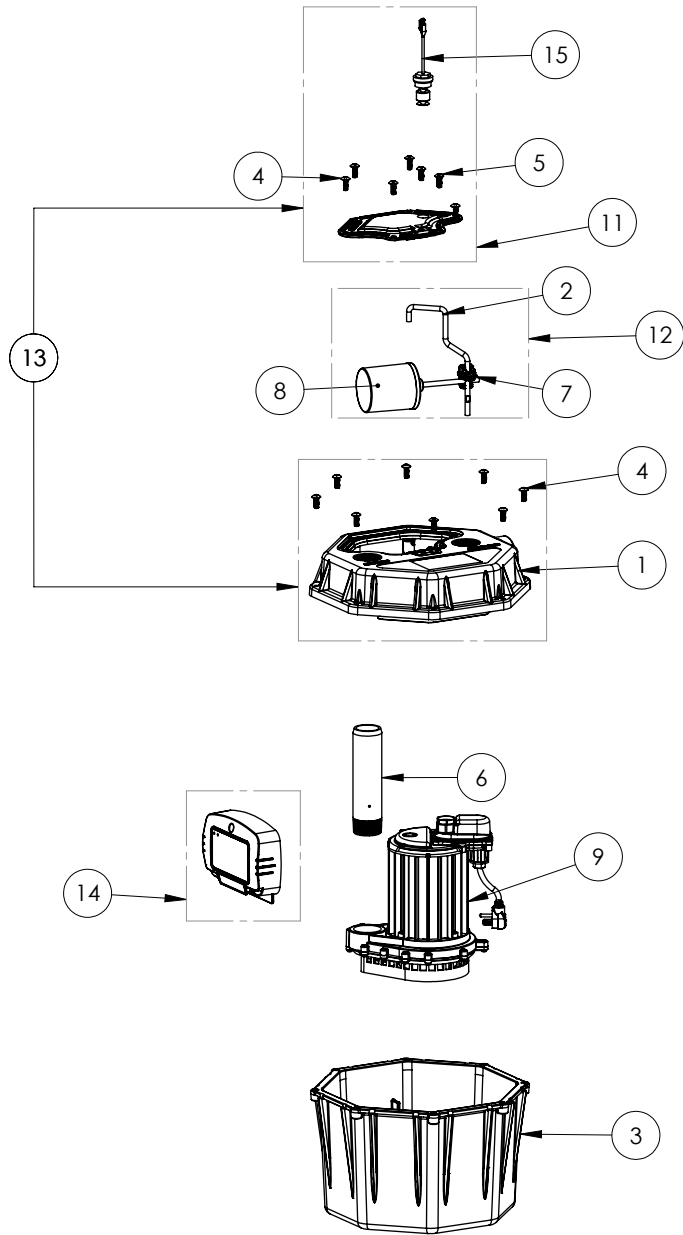


404A (B59)



404A**404A (B59)**

#	PART #	DESCRIPTION	QTY	Note
1	53230AG	404 COVER 1.5" INLET, 1.5" VENT, 1.5" DISCHARGE	1	
2	5360000	404/405 QUICK TREE FLOAT ROD	1	
3	K001153	404 TANK	1	
4	8156000	TRUSS HD, 1/4-20X3/4 18-8 SCREW	14	
5	8157000	TRUSS HD 1/4-20 X 1 18-8 SCREW	1	
6	40500A0	TOE NIPPLE PVC SCH 80 7.125 IN	1	
7	5045000	FLOAT SUPPORT CLAMP 10-24	1	
8	61400A0	SWITCH NARROW ANGLE 404	1	
9	404P	PUMP, DOES NOT INCLUDE DISCHARGE PIPE	1	[1]
11	K001721	KIT ACCESS COVERW/ FLOAT FOR 404A, 405A	1	
12	K001155	SWITCH TREE KIT	1	
13	K001899	404A COVER KIT INCLUDES ACESS COVER W/ SWITCH, HARDWARE	1	
14	K001282	KIT ALARM 115V SWT-ACTV	1	
15	2367000	FLOAT HIGH TEMP THEARED REED SWITCH	1	

PART NOTES:

[1] - [clickhere](#) for 404P pump assembly