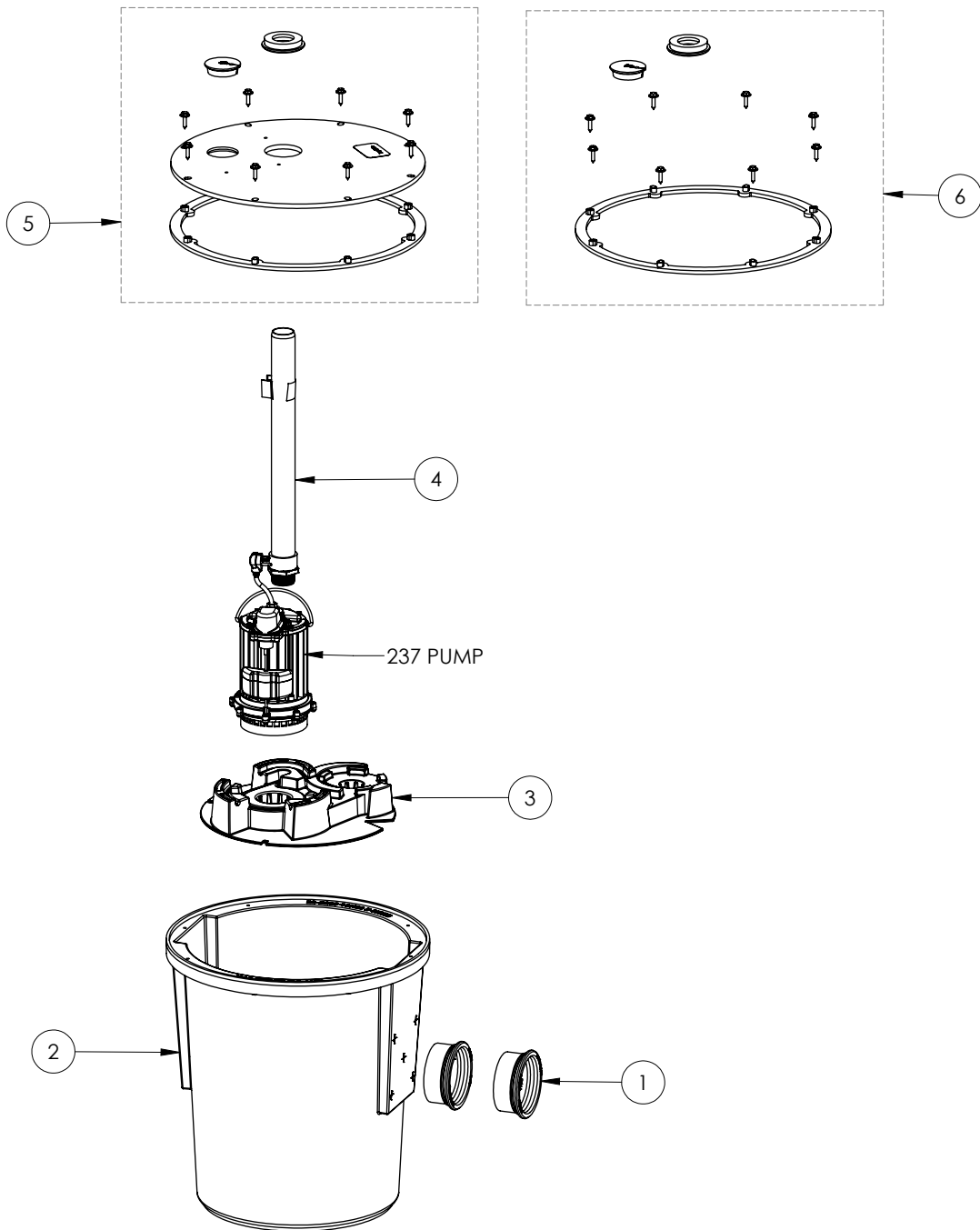


SPAC-237 (C12-A)



SPAC-237

SPAC-237 (C12-A)

#	PART #	DESCRIPTION	QTY	Note
1	K001141	4" FERNCO SEALING DONUT	2	
2	SP1822B	SUMP PIT 18X22 INJECTION MOLDED TANK WITH HUB	1	
3	K001338	18X22 BASIN INSERT	1	
4	K001911	SPAC PIPE ASSEMBLY KIT	1	
5	K001912	SPAC COVER AND HARDWARE	1	
6	K001914	SPAC COVER HARDWARE KIT	1	