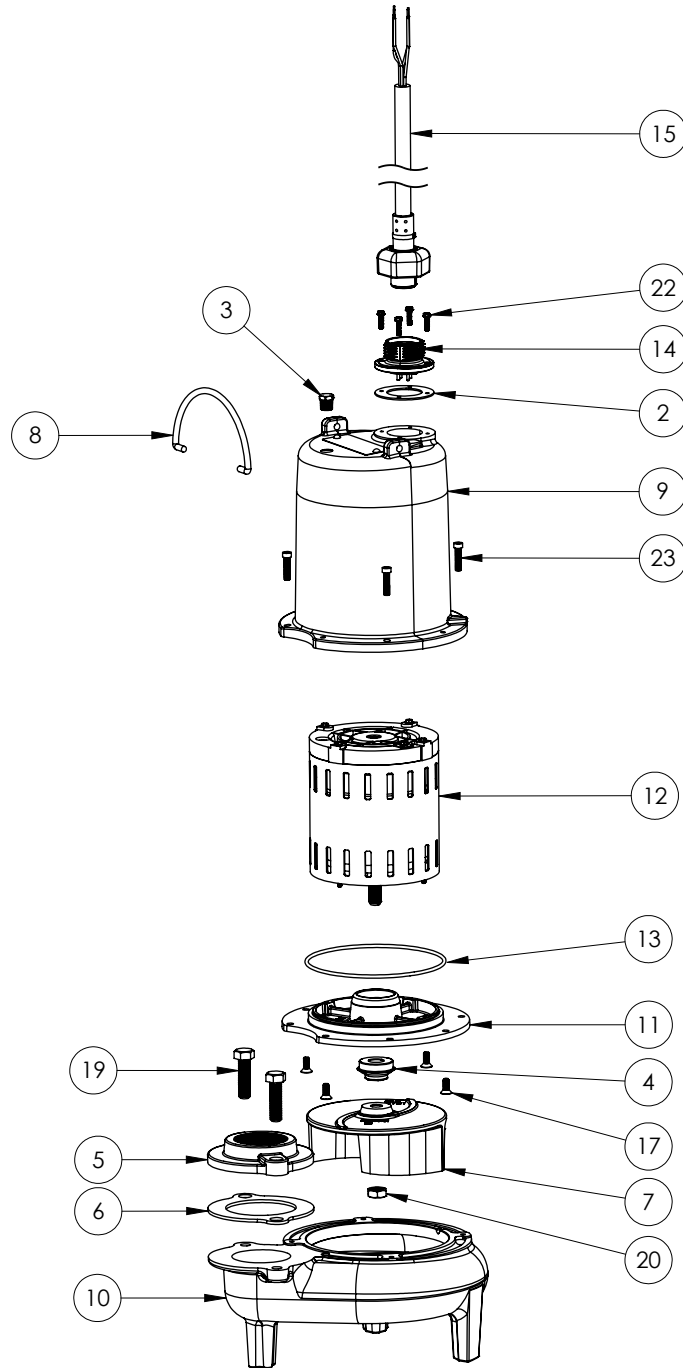


LE105M2-3 (B62)



LE105M2-3**LE105M2-3 (B62)**

#	PART #	DESCRIPTION	QTY	Note
2	5060000	CORD PLATE GASKET	1	
3	5071000	BRASS OIL PLUG	1	
4	K001717	KIT, 5/8 UNITIZED 5120000 AND LIP SEAL 5860000	1	
5	K001221	2" DISCHARGE KIT	1	
6	5129000	FLANGE GASKET, FITS 2" OR 3"	1	
7	K001486	5131000 IMPELLER KIT, INCLUDES 1/2" JAM NUT	1	
8	K001095	STAINLESS STEEL HANDLE	1	
9	531400R	MOTOR COVER	1	[1]
10	531500R	VOLUTE HOUSING	1	
11	53260B0	MOTOR PLATE	1	[1]
12	5332000	MOTOR	1	[1]
13	5617000	O-RING	1	
14	5629000	CORDPLATE	1	
15	K001358	POWER CORD, 35FT	1	
17	8018000	1/4-20 x 5/8 SLOTTED FLAT HEAD BOLT	4	
19	8037000	1/2-13 x 1-3/4 STAINLESS STEEL BOLT	2	
20	8046000	1/2-20 HEX STAINLESS STEEL JAM NUT	1	
22	8064000	#8-32 x 5/8 HEX WASHER HEAD SCREW	4	
23	8091000	1/4-20 x 1 HEX SOCKET HEAD BOLT	4	

PART NOTES:

[1] - Part requires factory authorized service. Contact Liberty Pumps at 1-800-543-2550