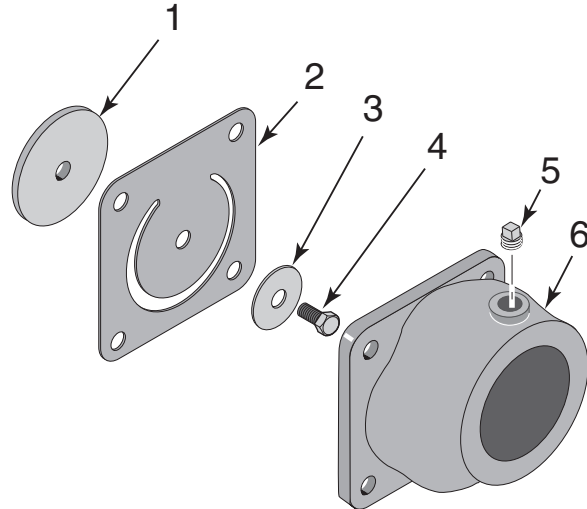


Ref.	Description	Qty.	3 HP, LTM-3 S40099 S40100	5 HP, LTM-5 S40102 S40103	3 HP, LTH-3 S40093 S40094	5 HP, LTH-5 S40097 S40096
1	Motor - 60 Cycle - 230V, Single Phase	1	C218-177	C218-180	C218-177	C218-180
	Motor - 60 Cycle - 230/460V, Three Phase	1	C218-179BD	C218-182BD	C218-179BD	C218-182BD
2	O-Ring	1	U9-265			
2A	Sleeve	1	C23-58			
3	Key - Square	1	U65-42A			
4	Water Slinger - Single Phase	1	C69-15			
	Water Slinger - 230/460V, Three Phase	1	C69-16	C69-15	C69-16	C69-15
5	Capscrew - 3/8 - 16 x 7/8" Lg.	8	*			
6	Adapter	1	C2-66			
7	Gasket - Adapter	1	C20-46			
8	Lockwasher - 3/8"	4	*			
9	Capscrew - 3/8 - 16 x 1" Lg.	4	*			
10	Shaft Seal	1	U9-433SS			
11	Gasket - Seal	1	C20-101			
12	Impeller	1	C5-246	C5-247	C5-248	C5-249
13	Wear Ring	1	J23-5	C23-14	J23-5	
14	Gasket	1	C20-100			
15	Washer - Impeller	1	C43-45SS			
16	Gasket	1	C43-46			
17	Screw - Impeller - 3/8 - 16 x 3/4" Lg.	1	U30-72SS			
18	Volute Diffuser (w/Wear Ring, Ref. No. 13)	1	C101-126	C101-126B	C101-132	
19	Diffuser Ring	1	C21-2			
20	Pump Body	1	C76-12	C76-12C	C76-12B	C76-12
21	Pipe Plug - 1/4" NPT	2	*			
22	Capscrew - 5/16 - 18 x 3/4" Lg.	4	*			

* Purchase locally.



Ref.	Description	Qty.	Part Number
1	Valve Plate	1	C61-5SS
2	Gasket - Flange	1	C20-15
3	Valve Washer	1	C43-15SS
4	Machine Screw 1/4-20 x 1/2"	1	*
5	Pipe Plug - 1/4" NPT Sq. Hd.	1	*
6	Suction Flange 2" NPT	1	C3-22A
	Suction Flange 2-1/2" NPT	1	C3-74
	Suction Flange 3" NPT	1	C3-74B
*	Nut, 1/4-20, Hex	1	35407-0071
	Suction Flange Assembly:		
	Complete 1-1/2" NPT		C203-22
	Complete 2" NPT		C203-22A

* Purchase locally.