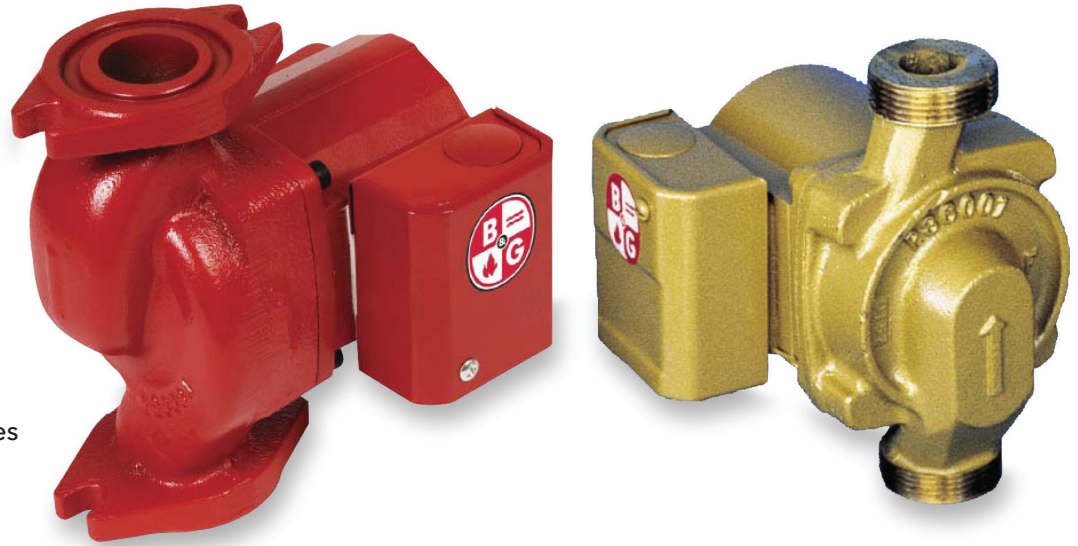


- High starting torque provides years of trouble-free start-up
- DuraGlide™ Bearing System assures whisper-quiet, maintenance-free operation
- Residential and Light Commercial Applications
- Available in cast iron and Lead-free† bronze
- Replaces TACO 0010
- Backed by B&G's representatives and a great 3-year warranty

† Low Lead Content



NRF-33 and NBF-33 Wet Rotor Circulators

Bell & Gossett NRF-33 and NBF-33 Wet Rotor Circulators for Hydronic Heating and Potable Water Circulating Systems



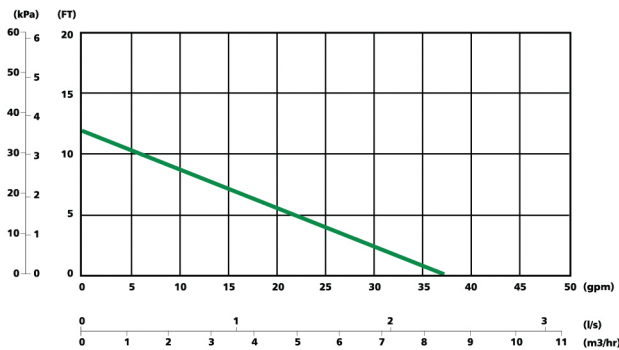
Description

Maintenance free, in-line, wet rotor circulators constructed with a cast iron pump body closed hydronic heating systems, or with a lead-free† bronze pump body for domestic potable water applications. 3/4", 1" 1-1/4", 1-1/2" flange sizes available. **UL and cUL listed.**

Operating Data

Maximum working pressure 150 psi (10 bar)
Maximum operating temperature 225°F (107°C)

**NRF-33 & NBF-33
Pump Performance Curve**



Materials of Construction

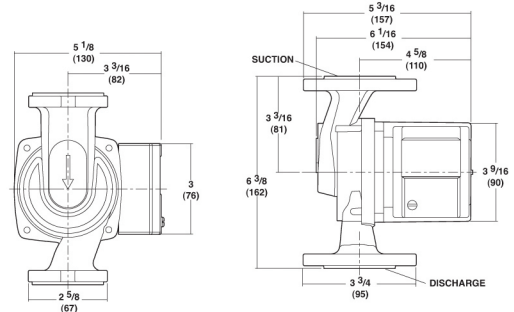
Pump Body: NRF-33 Cast Iron
NBF-33 Lead-Free† Bronze
Impeller Noryl® (30% Glass Filled)
Shaft Ceramic
Bearings Double-Sintered Carbon

Warranty

Bell & Gossett offers a warranty of three years from date of manufacture or 18 months from date of installation (which ever comes first) against failure as a result of defects in materials and workmanship

Dimensions

Dimensions are approximate and subject to change. Contact factory for certified dimensions.



Model Number	Part Number	Pump Body Materials	Flange Sizes Inches - NPT	Standard 60 Cycle Motor Characteristics*					Approx. Shpg. Wt. lbs. (Kg)
				Watts	∅	Voltage	F.L. Amps	RPM	
NRF-33	103350	Cast Iron	3/4, 1, 1-1/4, 1-1/2	125	1	115	1.10	2950	10.4 (4.7)
	103352	Cast Iron	3/4, 1, 1-1/4, 1-1/2	125	1	230	.55	2950	10.4 (4.7)
NBF-33	103351LF	Lead-Free† Bronze	3/4, 1, 1-1/4, 1-1/2	125	1	115	1.10	2950	10.4 (4.7)
	103353LF	Lead-Free† Bronze	3/4, 1, 1-1/4, 1-1/2	125	1	230	.55	2950	10.4 (4.7)

† Contains less than 0.25% lead content by weight on wetted surfaces.

1 DuraGlide™ Bearing System (blue areas in cutaway illustration) incorporates several components working together to eliminate seasonal freeze-up

2 Powerful motor provides years of trouble-free operation

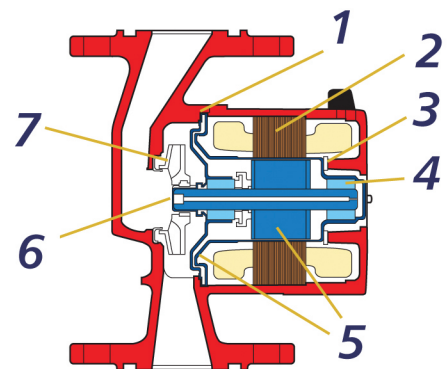
3 One-piece, high-nickel stainless steel stator can isolate the stator from system fluid and maintains precision bearing alignment for longer bearing life

4 Carbon bearings, diamond-like ceramic shaft and generous clearances are more resistant to lime, chloride and oxide build-up

5 Face plate and rotor sleeve feature corrosion resistant stainless steel construction for longer life

6 Self-cleaning particle shield protects the shaft and bearings from system start-up debris

7 Stabilized, heat resistant, Noryl impeller, its closed design improves operating efficiency



Xylem Inc.
8200 N. Austin Avenue
Morton Grove, Illinois 60053
Phone: (847) 966-3700
Fax: (847) 965-8379
www.bellgossett.com

