

Product information presented here reflects conditions at time of publication. Consult factory regarding discrepancies or inconsistencies.

PUMP COMPANY

Zoeller Family of Water Solutions™

MAIL TO: P.O. BOX 16347 • Louisville, KY 40256-0347
 SHIP TO: 3649 Cane Run Road • Louisville, KY 40211-1961
 (502) 778-2731 • 1 (800) 928-PUMP • FAX (502) 774-3624

visit our web site:
www.zoeller.com

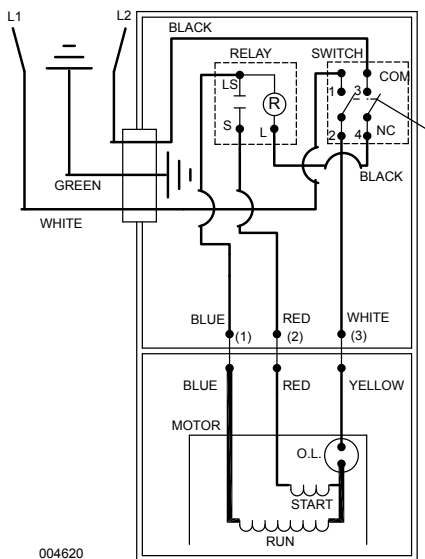
REPLACEMENT PARTS LIST FOR MODELS:

- M266 AUTOMATIC 115V**
- D266 AUTOMATIC 230V**
- N266 NONAUTOMATIC 115V**
- E266 NONAUTOMATIC 230V**
- WM266 AUTOMATIC w/wired VLFS 115V**

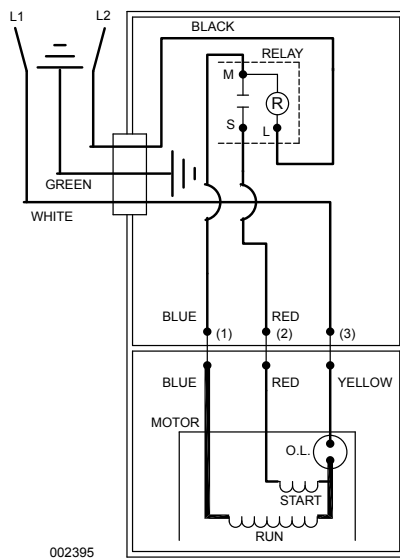
Consult factory for all other models.

TO ORDER REPLACEMENT PARTS:
PLEASE FURNISH THE FOLLOWING INFORMATION:

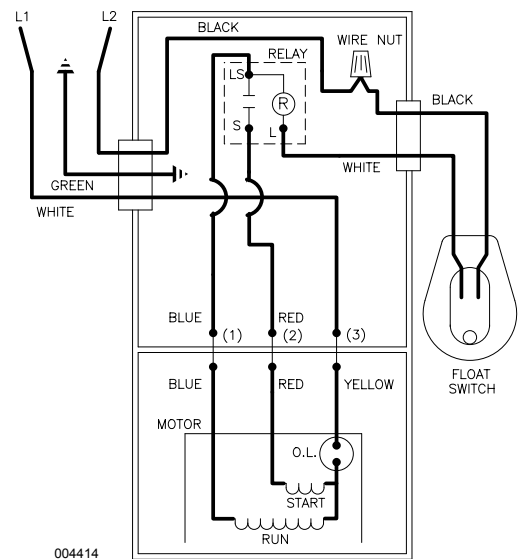
- Model number
- Part number of pump
 (If manufactured prior to June 1988, give 2 letter date code following Model No.)
- Part number and description of part



WIRING DIAGRAM FOR MODELS
 "M266-A" and "M266-B"
 "D266-A" and "D266-B"
 8/87 (UT) to Current



WIRING DIAGRAM FOR MODELS
 "N266-A" and "N266-B"
 "E266-A" and "E266-B"
 8/87 (UT) to Current



WIRING DIAGRAM FOR MODELS
 "WM266-A", "WM266-B" and
 "WM266-C"
 8/88 (UU) to Current

REPLACEMENT PARTS LIST FOR MODELS "M266" & "D266"

See page 4 for "M266" & "D266" illustrations.

REF. NO.	DESCRIPTION	QTY	NOTES	MODELS: M266-A		M266-B	D266-A		D266-B
				8/87 UT thru 6/91	7/91 thru Current		8/87 UT thru 6/91	7/91 thru Current	
1	Case & Switch Asm	1		004739	004739		004739	004739	
2	• Handle	1		267032	267032		267032	267032	
3	Case-Mach	1		004610	004610		004610	004610	
4	• Gasket, Case/Cover	1		267007	267007		267007	267007	
5	Relay Asm G5	1		002474	002474		147135	147135	
6	• Wire Pkg (2) Wires	1		267014	267014		267014	267014	
7	Housing, Mtr & Str GE	1	1,2	002475	002475		002476	002476	
	Housing, Mtr & Str EMD	1	1,2	004003	004003		005534	005534	
8	• Seal, Cord-Asm & Strain Relief	1	3	094032	094032		094032	094032	
9	Cord Term & Seal Asm	1	3	094071	094071		094072	094072	
10	Bearing, Upper	1		N/A	N/A		N/A	N/A	
11	• Guard	1		267008	267008		267008	267008	
12	• Arm & Seal Asm	1		004741	004741		004741	004741	
13	Switch Asm	1		004740	004740		004740	004740	
14	Float, Polypropylene	1		034019	034019		034019	034019	
15	Rod, Float	1		001526	001526		001526	001526	
16	Rotor Asm 115/230V/1Ph GE	1	2	267005	267005		267005	267005	
	Rotor Asm 115/230V/1Ph EMD	1	2	004021	004021		004021	004021	
17	• Seal, Mtr Hsg	1		267006	267006		267006	267006	
18	• Washer, Trst-Nyl.875X.504X.050"	1		002140	002140		002140	002140	
19	Housing, Pump-Mach	1		003877	003877		003877	003877	
20	• Seal Asm, Shaft	1		267027	267027		267027	267027	
21	Impeller "266"	1		003884	150857		003884	150857	
22	• Seal, O-Ring			005701	005701		005701	005701	
23	Base, Molded	1		005199	005199		005199	005199	
24	Guide Asm, Fit Rod	1		005454	005454		005454	005454	
25	• Oil, Dielectric (24.5 Oz)	1		267056	267056		267056	267056	
26	• Seal, Thru Wall Term	3		003402	003402		003402	003402	
27	• Plug, Test-White	2		034090	034090		034090	034090	
28	• Clamp, Strain Relief	1	3	001770	001770		001770	001770	
29	• Screw, .25-20 X .75 HHm-SS	4		001916	001916		001916	001916	
30	• Screw, #10-24 X.375 RHM-SI SS	2		001883	001883		001883	001883	
31	• Screw, #6-32x.438Rhs1tp"1"Stlzi	2		004644	004644		004644	004644	
32	• Screw, #6-32x.25RHM SI Tc Stlgr	3		001877	001877		001877	001877	
33	• Screw, #10-10x1-Unsltd Hex Wash	10		005326	005326		005326	005326	
34	• Sem, 10-12x5HH-SIShmt ScTp A	1		003229	003229		003229	003229	
35	• Screw, .25-20 X .875 HH SS	4		012491	012491		012491	012491	
□	Rebuild Kit			004743	004743		004743	004743	

• Items included in Rebuild Kit.

□ Not shown in illustration.

DATE CODE OF MANUFACTURE FROM 12/70 to 12/88					
1st LETTER MONTH			2nd LETTER YEAR		
M ---JAN.	T ---JULY	A ---1971	G ---1977	O ---1983	
N ---FEB.	U ---AUG.	B ---1972	H ---1978	P ---1984	
O ---MARCH	V ---SEPT.	C ---1973	I ---1979	R ---1985	
P ---APRIL	W ---OCT.	D ---1974	J ---1980	S ---1986	
R ---MAY	X ---NOV.	E ---1975	M ---1981	T ---1987	
S ---JUNE	Y ---DEC.	F ---1976	N ---1982	U ---1988	

NOTE: Four digit (MMYY) date of mfg. used after June, 1988.
IE: MMYY = 0192 = Jan. 1992.

NOTES:

- 1) Mtr. Hsg., Brg., Stator & Term (Item 7) are preassembled at the factory and must be replaced as a unit. Stator is permanently attached to the Motor Housing. Plug (Item 27); Seal, Thru Wall Term. (Item 26) and Bearing - Upper (Item 10) are replaceable.
- 2) When ordering Motor Housing, Bearing, Stator and Term. (Item 7) or Rotor (Item 16) specify either GE or Emerson motor. GE motor can be identified by (4) half oval slots spaced at 90° around the outside diameter of the stator. Emerson motor can be identified by (2) half oval slots spaced at 180° around the outside diameter of the stator.
- 3) If an "X" follows Model No., or Date Mfg. on brass ID tag, consult factory for ordering any parts.
- 4) See FM0160 Parts Price Sheet for listing of parts prices.
- 5) "NA" indicates, not applicable.

REPLACEMENT PARTS LIST FOR MODELS "N266" & "E266"

See page 4 for "N266" & "E266" illustrations.

REF. NO.	DESCRIPTION	QTY	NOTES	MODELS: N266-A		N266-B		E266-A		E266-B	
				8/87 UT thru 6/91	7/91 thru Current	8/87 UT thru 6/91	7/91 thru Current	8/87 UT thru 6/91	7/91 thru Current		
1	Cover & Handle Asm	1		267051	267051			267051	267051		
2	• Handle	1		267032	267032			267032	267032		
3	Cover, Mach	1		267052	267052			267052	267052		
4	Retainer, HdI-Na	1		267053	267053			267053	267053		
5	• Gasket, Case/Cover	1		267007	267007			267007	267007		
6	Relay Asm G5	1		002474	002474			147135	147135		
7	• Wire Pkg (2) Wires	1		267014	267014			267014	267014		
8	Housing, Mtr & Str GE	1	1,2	002475	002475			002476	002476		
	Housing, Mtr & Str EMD	1	1,2	004003	004003			005534	005534		
9	Cord Term & Seal	1	3	003617	003617			003618	003618		
10	• Seal, Cord-Asm & Strain Relief	1	3	094032	094032			094032	094032		
11	Bearing, Upper	1		N/A	N/A			N/A	N/A		
12	Rotor Asm 115/230V/1Ph GE	1	2	267005	267005			267005	267005		
	Rotor Asm 115/230V/1Ph EMD	1	2	004021	004021			004021	004021		
13	• Seal, Mtr Hsg	1		267006	267006			267006	267006		
14	• Washer, Trst-Nyl.875X.504X.050"	1		002140	002140			002140	002140		
15	Housing, Pump-Mach	1		003877	003877			003877	003877		
16	• Oil, Dielectric (24.5 Oz)	1		267056	267056			267056	267056		
17	• Seal Asm, Shaft	1		267027	267027			267027	267027		
18	Impeller "266"	1		003884	150857			003884	150857		
19	• Seal, O-Ring-.093 X 34+/- .50"	1		005701	005701			005701	005701		
20	Base, Molded	1		005199	005199			005199	005199		
21	• Seal, Thru Wall Term	3		003402	003402			003402	003402		
22	• Plug, Test-White	2		034090	034090			034090	034090		
23	• Clamp, Strain Relief	1		001770	001770			001770	001770		
24	• Screw, .25-20 X .75 HHm-SS	4		001916	001916			001916	001916		
25	• Screw, #10-24 X.375 RHM-SI SS	2		001883	001883			001883	001883		
26	• Screw, #6-32x.25RHM SI Tc Stlgr	3		001877	001877			001877	001877		
27	• Screw, #10-10x1-Unsltd Hex Wash	10		005326	005326			005326	005326		
28	Screw, 1/4-20x.875 HH SS	4		012491	012491			012491	012491		
▣	Rebuild Kit			004743	004743			004743	004743		

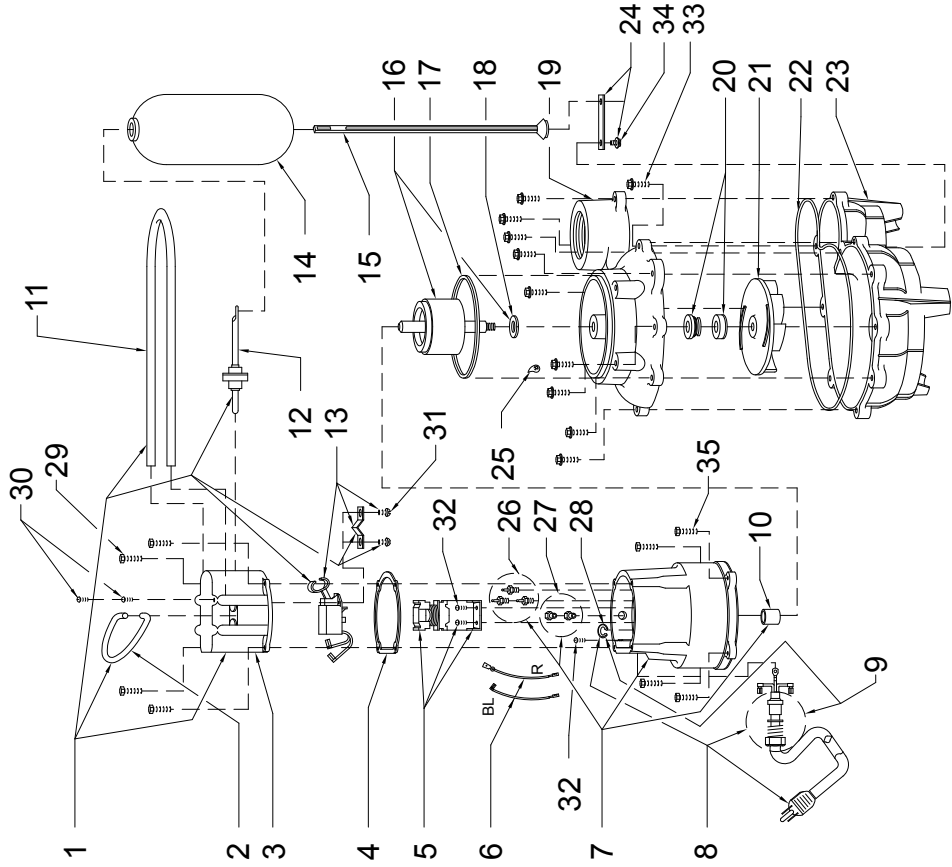
• Items included in Rebuild Kit.

▣ Not shown in illustration.

NOTES:

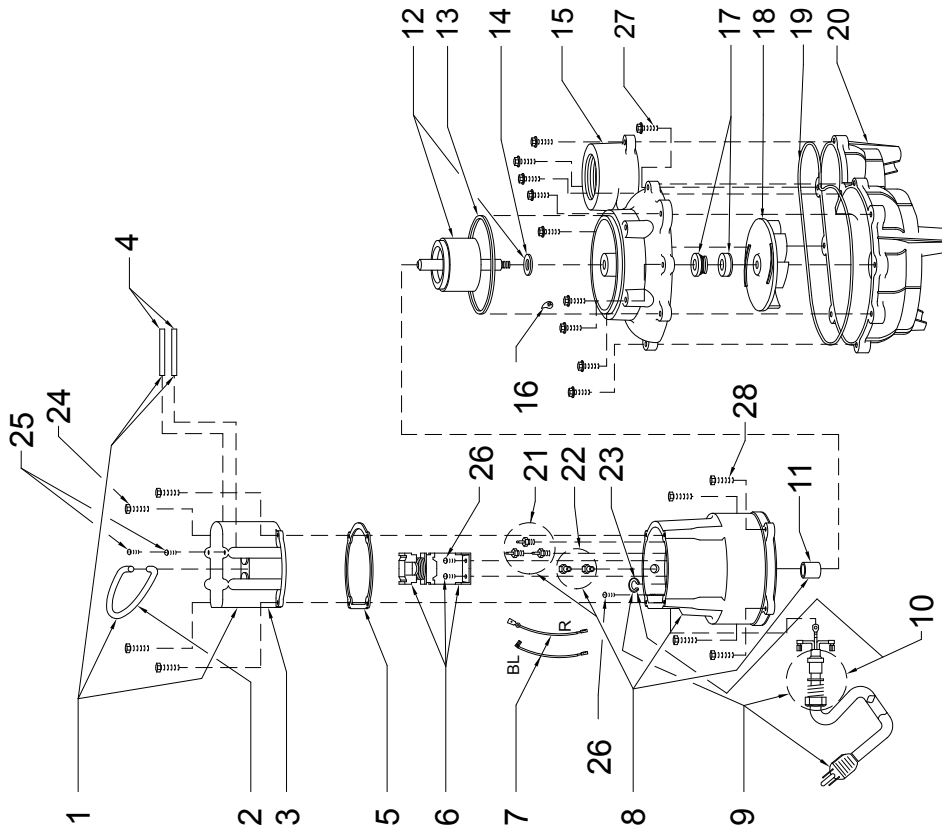
- 1) Mtr. Hsg., Brg., Stator & Term (Item 8) are preassembled at the factory and must be replaced as a unit. Stator is permanently attached to the Motor Housing. Plug (Item 22); Seal, Thru Wall Term. (Item 21) and Bearing - Upper (Item 11) are replaceable.
- 2) When ordering Motor Housing, Bearing, Stator and Term. (Item 8) or Rotor (Item 12) specify either GE or Emerson motor. GE motor can be identified by (4) half oval slots spaced at 90° around the outside diameter of the stator. Emerson motor can be identified by (2) half oval slots spaced at 180° around the outside diameter of the stator.
- 3) If an "X" follows Model No., or Date Mfg. on brass ID tag, consult factory for ordering any parts.
- 4) See FM0160 Parts Price Sheet for listing of parts prices.
- 5) "NA" indicates, not applicable.

REPLACEMENT PARTS ILLUSTRATION FOR MODELS "M266" AND "D266"



SK795

REPLACEMENT PARTS ILLUSTRATION FOR MODEL "N266" AND "E266"



SK919

REPLACEMENT PARTS LIST FOR MODELS "WM266"

See page 6 for "WM266" illustration.

REF. NO.	DESCRIPTION	QTY	NOTES	MODELS: WM266-A			
				8/87 UT thru 6/91	7/91 thru 3/96	WM266-B	WM266-C
1	Cover & Handle Asm	1		267051	267051	267051	267051
2	• Handle	1		267032	267032	267032	267032
3	Cover, Mach	1		267052	267052	267052	267052
4	• Retainer, HdI-Na	1		267053	267053	267053	267053
5	• Gasket, Case/Cover	1		267007	267007	267007	267007
6	Relay Asm 115V/G5	1		002474	002474	002474	002474
7	• Wire Pkg (2) Wires	1		267014	267014	267014	267014
8	Housing, Mtr & Str 115V/1Ph GE	1	1,2	004672	004672	004672	004672
	Housing, Mtr & Str 115V/1Ph EMD	1	1,2	005580	005580	005580	005580
9	Cord Term & Seal	1	3	003617	003617	003617	003617
10	• Seal, Cord-Asm & Strain Relief	1		094032	094032	094032	094032
11	Bearing, Upper	1		N/A	N/A	N/A	N/A
12	Rotor Asm 115/230V/1Ph GE	1	2	267005	267005	267005	267005
	Rotor Asm 115/230V/1Ph EMD	1	2	004021	004021	004021	004021
13	• Seal, Mtr Hsg	1		267006	267006	267006	267006
14	• Washer, Trst-Nyl.875X.504X.050"	1		002140	002140	002140	002140
15	Housing, Pump-Mach	1		003877	003877	003877	003877
16	• Oil, Dielectric (24.5 Oz)	1		267056	267056	267056	267056
17	• Seal Asm, Shaft	1		267027	267027	267027	267027
18	Impeller "266"	1		003884	150857	150857	150857
19	Base, Mach "266"	1		008646	008646	010682	010682
20	• Seal, Thru Wall Term	3		003402	003402	003402	003402
21	• Plug, Test-White	2		034090	034090	034090	034090
22 ^a	Clamp, Cable-Nylon	1		004413	004413	NA	NA
23 ^a	• Seal, Cord-Asm & Strain Relief	1		094032	094032	NA	NA
24 ^a	Switch, Mf-Asm "WM266 QJ"	1		004485	004485	NA	NA
25 ^a	Seal, Cord-Asm "WM266 QJ"	1		004486	004486	NA	NA
26	Connector, Wirenut	1		001776	001776	001776	001776
27	• Screw, .25-20 X .75 HHm-SS	4		001916	001916	001916	001916
28	• Screw, #10-24 X.375 RHM-SI SS	3		001883	001883	001883	001883
29	• Screw, #6-32x.25RHM SI Tc Stlgr	3		001877	001877	001877	001877
30	Screw, #10-10 X 1 - UNSLTD HEX	10		NA	NA	005326	005326
31	Seal, O-Ring	1		NA	NA	005701	005701
32	Switch, Flt & Bkt Asm	1		NA	NA	010700	152340
33	Switch, Vert. Flt & Seal	1		NA	NA	009631	009631
34	Clamp, #40HS Worm-SS	1		NA	NA	004304	NA
35	Seal, Cord Asm	1		NA	NA	004486	004486
36	Clamp, Strain Relief	1		NA	NA	001770	001770
37	Rod, Float	1	6	NA	NA	009118	010499
38	Float Rod Retaining Pin	1		NA	NA	009121	009121
39	Float Rod Stop	2		NA	NA	009120	009120
40	Float, Mech Switch	1		NA	NA	009119	009119
41	Bracket, Switch Mtg.	1		NA	NA	009117	NA
42	Grommet, Guide	1		NA	NA	003052	NA
43	Screw, #8-32 X .625"	2		NA	NA	009111	NA
44	Screw, ¼-20x.875 HH SS	4		012491	012491	012491	012491
^a	Rebuild Kit			004743	004743	004743	004743

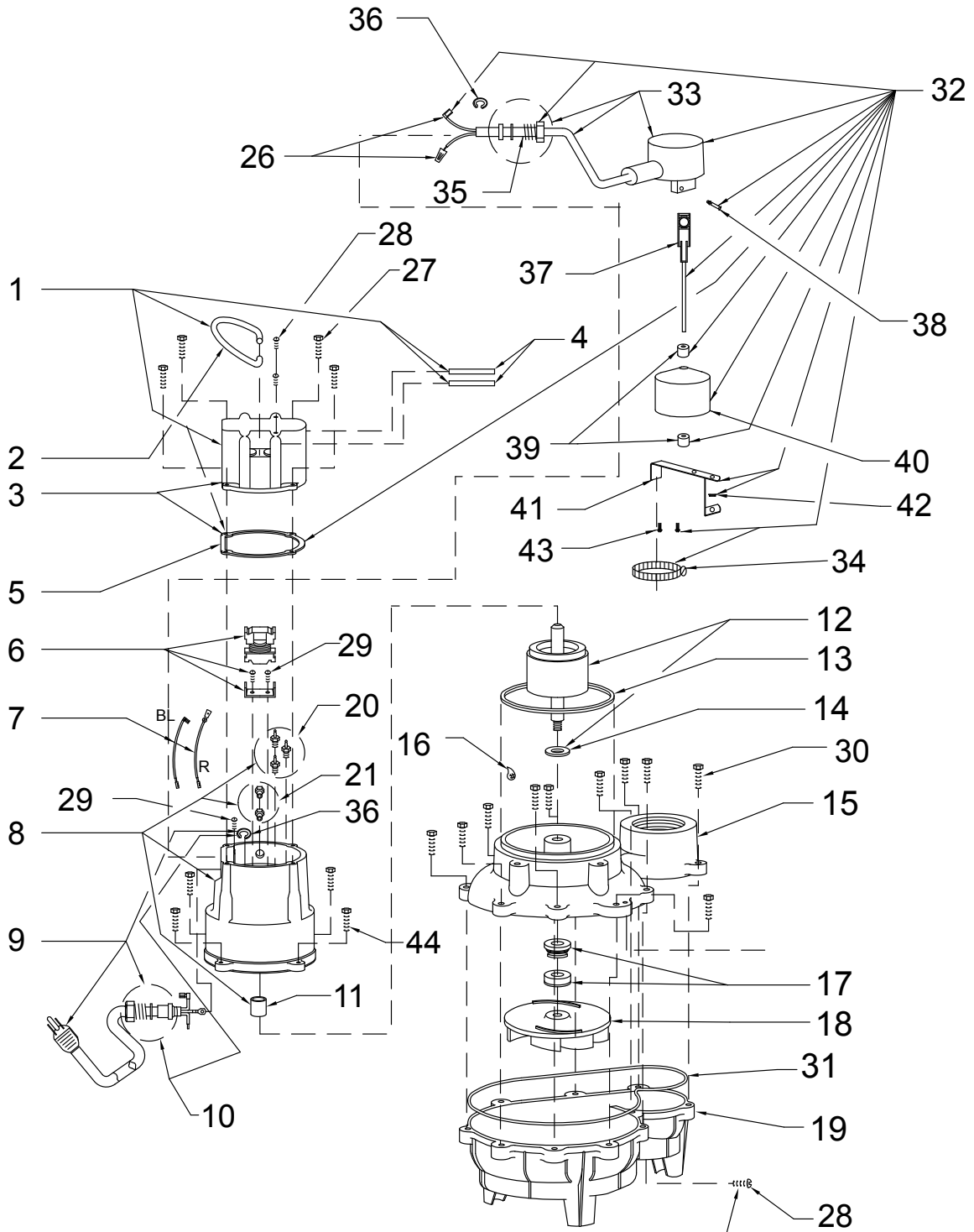
• Items included in Rebuild Kit.

□ Not shown in illustration.

NOTES:

- 1) Mtr. Hsg., Brg., Stator & Term (Item 8) are preassembled at the factory and must be replaced as a unit. Stator is permanently attached to the Motor Housing. Plug (Item 21); Seal, Thru Wall Term. (Item 20) and Bearing - Upper (Item 11) are replaceable.
- 2) When ordering Motor Housing, Bearing, Stator and Term. (Item 8) or Rotor (Item 12) specify either GE or Emerson motor. GE motor can be identified by (4) half oval slots spaced at 90° around the outside diameter of the stator. Emerson motor can be identified by (2) half oval slots spaced at 180° around the outside diameter of the stator.
- 3) If an "X" follows Model No., or Date Mfg. on brass ID tag, consult factory for ordering any parts.
- 4) See FM0160 Parts Price Sheet for listing of parts prices.
- 5) "NA" indicates, not applicable.
- 6) Units manufactured from 7/91 - 9/97 use a 7" float rod; units manufactured after 9/97 use a 10" float rod.

REPLACEMENT PARTS ILLUSTRATION FOR MODELS "WM266"



22,23,24, & 25 NOT SHOWN

FOR CAST IRON BASE
DATE CODE YS TO 0396

NOTES



PUMP COMPANY

MAIL TO: P.O. BOX 16347 • Louisville, KY 40256-0347
SHIP TO: 3649 Cane Run Road • Louisville, KY 40211-1961
(502) 778-2731 • 1 (800) 928-PUMP • FAX (502) 774-3624

Your Peace of Mind is Our Top Priority®

visit our web site:
www.zoeller.com