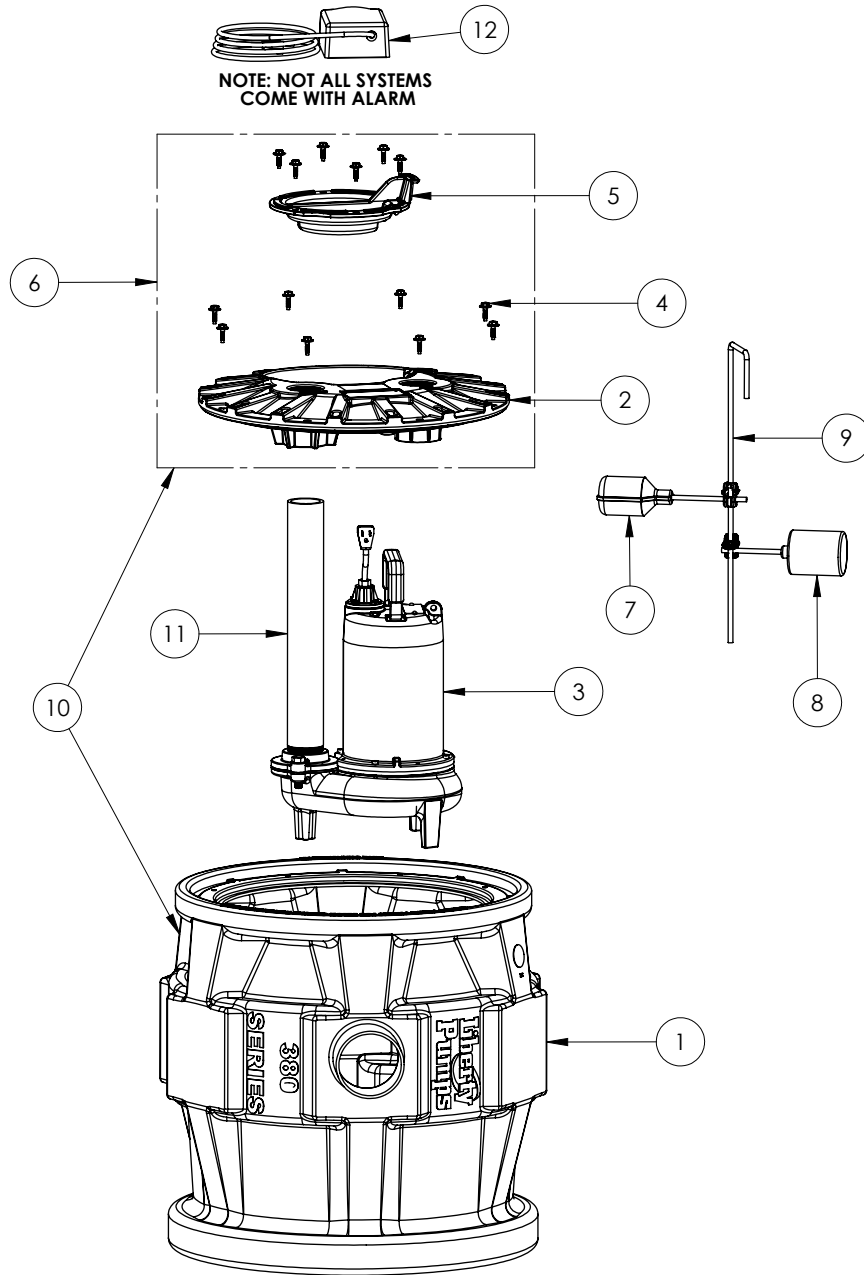


P382LE102 (B10)



**P382LE102**

**P382LE102 (B10)**

#	PART #	DESCRIPTION	QTY	Note
1	K001110	PRO380 SERIES 24" BASIN	1	
2	50340A0	2X2 COVER, 8 BOLTS, FOR PVC PIPE	1	
3	LE102M2	1 HP SEWAGE PUMP 208-230V 10' POWER CORD	1	[1]
4	K001162	COVER HARDWARE, WASHER HEAD HEX SCREWS 14 INCLUDED IN KIT	1	
5	K001233	INSPECTION COVER, INCLUDES MOUNTING SCREWS (6)	1	
6	K001101	COVER ASY 2X2, 8 BOLTS, FOR PVC PIPE	1	
7	Pro Series Alarm switch (B10)	REPLACEMENT SWITCH BASED ON SYSTEM LABEL	1	[2]
8	K001019	61140A0 PUMP SWITCH, 10' 230V, INCLUDES MOUNTING HARDWARE	1	
15	K001019	61140A0 PUMP SWITCH, 10' 230V, INCLUDES MOUNTING HARDWARE	1	
9	K001123	QUICKTREE KIT, ROD & CLAMPS ONLY	1	
10	K001107	P382 TANK & 2X2 COVER ASSEMBLY	1	
12	SEE NOTE FOR ALARM	ALARM ONLY		[3]
11	K001399	PRO SERIES PIPE KIT 2" SCH80 X17.50"	1	
13	K001431	61140B0 PUMP SWITCH, 25' 230V	1	
14	K001134	FLOAT SWITCH, 20FT CORD, INCLUDES 1 SWITCH PER KIT	1	
16	K001415	60050D0 SWITCH, 10' PILOT DUTY PIGTAIL	1	

**PART NOTES:**

- [1] - **\*\*NOTE\*\***  
Select PROSERIES Pump below to show sewage pump assembly parts  
ex: P382LE102/A2  
LE102  
LE102-2
- [2] - **\*\*NOTE\*\***  
ALARM SWITCH KITS  
For /A2 Suffix of model number use Part No. K001134  
For /A21 Suffix of model number use Part No. K001415  
For /A2W Suffix of model number use Part No. K001134
- [3] - ALARM PRO SERIES  
FORA2 SUFFIX OF MODEL  
NUMBER: USE PART NO 6225000  
FORA2W SUFFIX OF MODEL  
NUMBER: USE PART NO 6226000  
FORA21 SUFFIX OF MODE  
NUMBER: USE PART NO 6242000  
Part requires factory authorized service. Contact Liberty Pumps at 1-800-543-2550