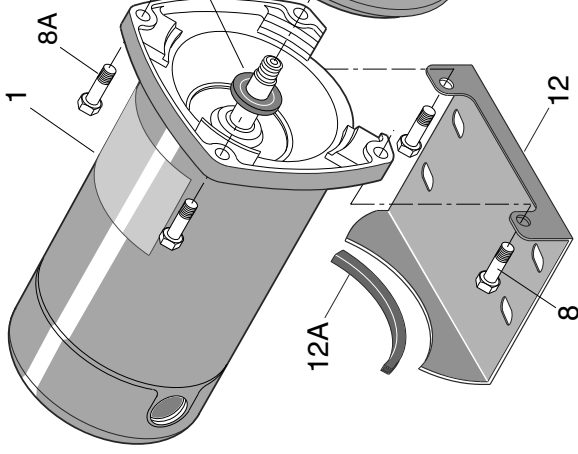
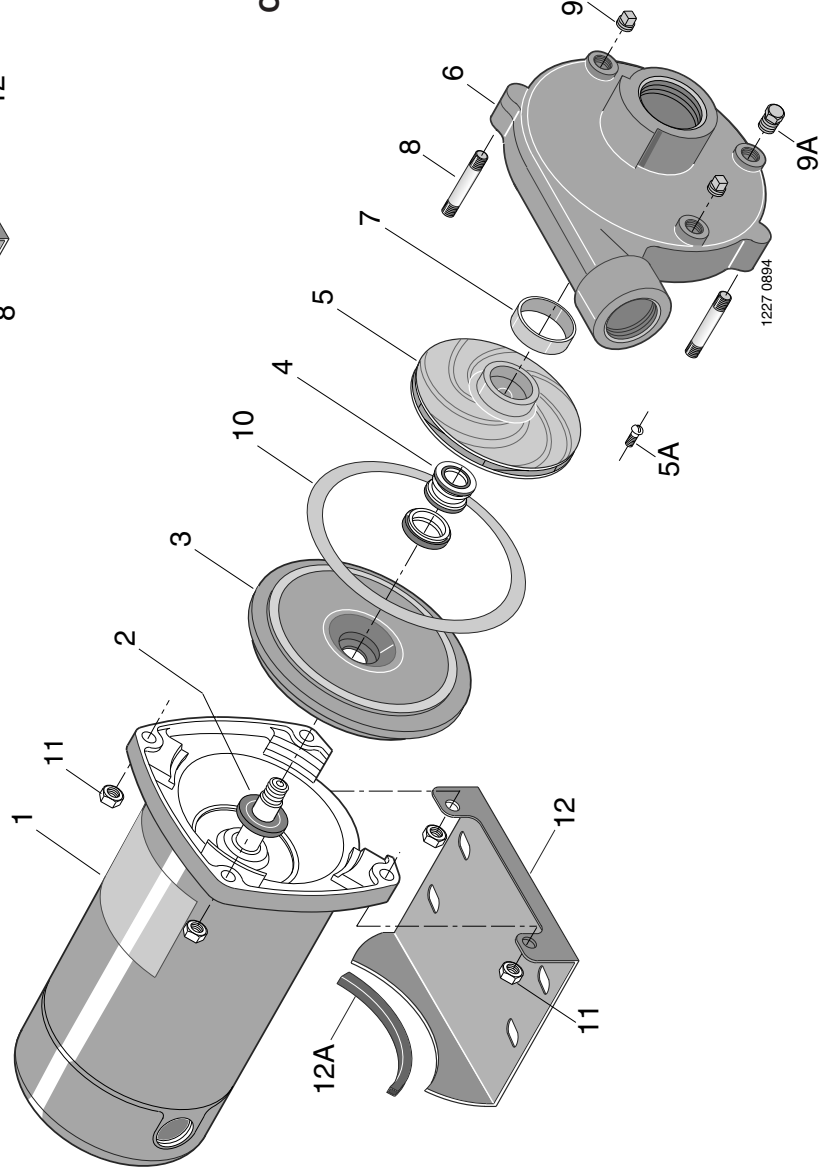


Stud Configuration



Capscrew Configuration



REPAIR PARTS LIST – MEDIUM HEAD – NORYL® IMPELLER

Key No.	Part Description	No. Used	MOTOR AND HORSEPOWER							
			CP1MPS				CP1 1/4 XPS			
			1/3 HP	1/2 HP	3/4 HP	1 HP	1 1/2 HP	2 HP		
1*	Motor - 115/230V, 60 Cycle, Single Phase	1	J218-582APKG	J218-582APKG	J218-590PKG	J218-596PKG	J218-601PKG	J218-883APKG		
1*	Motor - 230/460V, 60 Cycle, Three Phase	1	-	AP100CL	AP100DL	AP100EL	AP100FL	AP100GL		
†2	Water Slinger	1	17351-0009	17351-0009	17351-0009	17351-0009	17351-0009	17351-0009		
3	Seal Plate	1	N3-8	N3-8	N3-8	N3-8	C3-52	C3-52		
†4	Shaft Seal	1	U109-6A	U109-6A	U109-6A	U109-6A	U109-6A	U109-6A		
5	Impeller - Single Phase	1	J105-42PHA	J105-42PHA	J105-42PJA	J105-42PP	C105-114PC	C105-114PA		
5	Impeller - Three Phase	1	-	J105-42PHA	J105-42PJA	J105-42PPA	C105-114PCA	C105-114PA		
5A	Impeller Screw - Single Phase	1	-	-	-	-	-	C30-14SS		
5A	Impeller Screw - Three Phase	1	-	C30-6SS	C30-6SS	C30-6SS	C30-14SS	C30-14SS		
6	Volute Assembly - Complete	1	-	-	-	-	C201-123	C201-123		
6	Volute Assembly - w/Wear Ring	1	C101-122E	C101-122E	C101-122E	C101-122	-	-		
7	Wear Ring (only)	(1)	N23-7	N23-7	N23-7	N23-7	C23-19	C23-19		
8	Studs - 3/8 - 16 x 2" Lg.	(4)	-	-	-	-	U30-29	U30-29		
9	Pipe Plug - 1/4" NPT	(3)	-	-	-	-	U78-57CT	U78-57CT		
9A	Drain Plug - 1/4" NPT	(1)	-	-	-	-	U78-941ZPV	U78-941ZPV		
8	Capscrew - 3/8 - 16 x 1-1/2" Lg.	2	U30-76ZP	U30-76ZP	U30-76ZP	U30-76ZP	-	-		
8A	Capscrew - 3/8 - 16 x 1-1/4" Lg.	2	U30-75ZP	U30-75ZP	U30-75ZP	U30-75ZP	-	-		
9	Pipe Plug - 1/4" NPT	3	U78-57CT	U78-57CT	U78-57CT	U78-57CT	-	-		
9A	Drain Plug - 1/4" NPT	1	U78-941ZPV	U78-941ZPV	U78-941ZPV	U78-941ZPV	-	-		
†10	Gasket - Volute	1	N20-26	N20-26	N20-26	N20-26	C20-21	C20-21		
11	Nuts - 3/8 - 16 Hex	4	-	-	-	-	U36-38ZP	U36-38ZP		
12	Base	1	J104-9A	J104-9A	J104-9A	J104-9A	J104-9A	J104-9A		
12A	Motor Pad	1	C35-5	C35-5	C35-5	C35-5	C35-5	C35-5		

* For repair or service to motors, always give the motor Model Number and any other data found on the Motor Model Plate.

† Included in Seal & Gasket Kit.

REPAIR PARTS LIST – MEDIUM HEAD – BRASS IMPELLER

Key No.	Part Description	No. Used	MOTOR AND HORSEPOWER							
			CB1MPS		CB1 ¹ / ₄ XPS				CB1 ¹ / ₂ XPS	
			1/2 HP S39503 S39504	3/4 HP S39505 S39506	1 HP S39507 S39508	1-1/2 HP S39509 S39510	2 HP S39511 S39512	2-1/2 HP S39513 S39514		
1*	Motor - 115/230V, 60 Cycle, Single Phase	1	J218-582APKG	J218-590PKG	J218-596PKG	J218-601PKG	J218-883APKG	-	-	
1*	Motor - 230/460V, 60 Cycle, Three Phase	1	AP100CL	AP100DL	AP100EL	AP100FL	AP100GL	AP100GL	AP100GL	
†2	Water Slinger	1	17351-0009	17351-0009	17351-0009	17351-0009	17351-0009	17351-0009	17351-0009	
3	Seal Plate	1	N3-8	N3-8	N3-8	C3-52	C3-52	C3-52	C3-52	
†4	Shaft Seal	1	U109-6A	U109-6A	U109-6A	U109-6A	U109-6A	U109-6A	U109-6A	
5	Impeller - Single Phase	1	J105-42MA	J105-42LA	J105-42NA	C105-79B	C105-73BA	C105-80BA	C105-80BA	
5	Impeller - Three Phase	1	J105-42MA	J105-42LA	J105-42NA	C105-79BA	C105-73BA	C105-80BA	C105-80BA	
5A	Impeller Screw - Single Phase	1	-	-	-	-	C30-14SS	C30-14SS	C30-14SS	
5A	Impeller Screw - Three Phase	1	C30-6SS	C30-6SS	C30-6SS	C30-14SS	C30-14SS	C30-14SS	C30-14SS	
6	Volute Assembly - Complete	1	-	-	-	C201-123	C201-123	C201-123	C201-123B	
6	Volute Assembly - w/Wear Ring	1	C101-122E	C101-122E	C101-122	-	-	-	-	
7	Wear Ring (only)	(1)	N23-27	N23-27	N23-27	-	-	-	-	
8	Studs - 3/8 - 16 x 2" Lg.	(4)	-	-	-	C23-19	C23-19	C23-19	C23-19	
9	Pipe Plug - 1/4" NPT	(3)	-	-	-	U30-29	U30-29	U30-29	U30-29	
9A	Drain Plug - 1/4" NPT	(1)	-	-	-	U78-57CT	U78-57CT	U78-57CT	U78-57CT	
8	Capscrew - 3/8 - 16 x 1-1/2" Lg.	2	U30-76ZP	U30-76ZP	U30-76ZP	-	-	-	-	
8A	Capscrew - 3/8 - 16 x 1-1/4" Lg.	2	U30-75ZP	U30-75ZP	U30-75ZP	-	-	-	-	
9	Pipe Plug - 1/4" NPT	3	U78-57CT	U78-57CT	U78-57CT	-	-	-	-	
9A	Drain Plug - 1/4" NPT	1	U78-941ZPV	U78-941ZPV	U78-941ZPV	-	-	-	-	
†10	Gasket - Volute	1	N20-26	N20-26	N20-26	C20-21	C20-21	C20-21	C20-21	
11	Nuts - 3/8 - 16 Hex	4	-	-	-	U36-38ZP	U36-38ZP	U36-38ZP	U36-38C	
12	Base	1	J104-9A	J104-9A	J104-9A	J104-9A	J104-9A	J104-9A	J104-9F	
12A	Motor Pad	1	C35-5	C35-5	C35-5	C35-5	C35-5	C35-5	C35-5	

* For repair or service to motors, always give the motor Model Number and any other data found on the Motor Model Plate.

† Included in Seal & Gasket Kit.

REPAIR PARTS LIST – HIGH HEAD – NORYL® IMPELLER

Key No.	Part Description	No. Used	MOTOR AND HORSEPOWER							
			CP1XPHS							
			1/2 HP	3/4 HP	1 HP	1-1/2 HP	2 HP	CP1 1/4 TPHS	CP1 1/2 TPHS	
1*	Motor - 115/230V, 60 Cycle, Single Phase	1	J218-582APKG	J218-590PKG	J218-596PKG	J218-601PKG	J218-883APKG	J218-628APKG		
1*	Motor - 230/460V, 60 Cycle, Three Phase	1	AP100CL	AP100DL	AP100EL	AP100FL	AP100GL	AP100G5L		
†2	Water Slinger	1	17351-0009	17351-0009	17351-0009	17351-0009	17351-0009	17351-0009		
3	Seal Plate	1	C3-1042P	C3-1042P	C3-1042P	C3-1042P	C3-181	C3-181		
†4	Shaft Seal	1	U109-6A	U109-6A	U109-6A	U109-6A	U109-93SS	U109-93SS		
5	Impeller - Single Phase	1	C105-92PN	C105-92PM	C105-92PL	C105-92PB	C105-214PCA	C105-214PA		
5	Impeller - Three Phase	1	C105-92PNA	C105-92PMA	C105-92PLA	C105-92PBA	C105-214PCA	C105-214PA		
5A	Impeller Screw - Single Phase	1	-	-	-	-	C30-14SS	C30-14SS		
5A	Impeller Screw - Three Phase	1	C30-14SS	C30-14SS	C30-14SS	C30-14SS	C30-14SS	C30-14SS		
6	Volute Assembly - Complete	1	C101-281E	C101-281E	C101-281E	C101-281E	C101-264E	C101-264E		
7	Wear Ring (only)	(1)	C23-27	C23-27	C23-27	C23-27	C23-19	C23-19		
8	Capscrew - 3/8 - 16 x 1"	2	-	-	-	-	U30-74ZP	U30-99SS		
8A	Capscrew - 3/8 - 16 x 1-1/4"	2	U30-75ZP	U30-75ZP	U30-75ZP	U30-75ZP	U30-75ZP	U30-104ZP		
8	Capscrew - 3/8 - 16 x 1-1/2"	2	U30-76ZP	U30-76ZP	U30-76ZP	U30-76ZP	-	-		
9	Pipe Plug - 1/4" NPT	(2)	U78-57CT	U78-57CT	U78-57CT	U78-57CT	U78-57CT	U78-57CT		
9A	Drain Plug - 1/4" NPT	(1)	U78-941ZPV	U78-941ZPV	U78-941ZPV	U78-941ZPV	U78-941ZPV	U78-941ZPV		
†10	Gasket - Volute	1	C20-121	C20-121	C20-121	C20-121	C20-122	C20-122		
12	Base	1	J104-9F	J104-9F	J104-9F	J104-9F	J104-9F	J104-9F		
12A	Motor Pad	1	C35-5	C35-5	C35-5	C35-5	C35-5	C35-5		

* For repair or service to motors, always give the motor Model Number and any other data found on the Motor Model Plate.

† Included in Seal & Gasket Kit.

REPAIR PARTS LIST – HIGH HEAD – BRASS IMPELLER

Key No.	Part Description	No. Used	MOTOR AND HORSEPOWER							CB1 1/2 TPHS	
			CB1XPHS								CB1 1/4 TPHS
			1/2 HP	3/4 HP	1 HP	1-1/2 HP	2 HP	2-1/2 HP			
1*	Motor - 115/230V, 60 Cycle, Single Phase	1	J218-582APKG	J218-590PKG	J218-596PKG	J218-601PKG	J218-883APKG	J218-628APKG			
1*	Motor - 230/460V, 60 Cycle, Three Phase	1	AP100CL	AP100DL	AP100EL	AP100FL	AP100GL	AP100G5L			
†2	Water Slinger	1	17351-0009	17351-0009	17351-0009	17351-0009	17351-0009	17351-0009			
3	Seal Plate	1	C3-1042P	C3-1042P	C3-1042P	C3-1042P	C3-181	C3-181			
†4	Shaft Seal	1	U109-6A	U109-6A	U109-6A	U109-6A	U109-6A	U109-6A			
5	Impeller - Single Phase	1	C5-256BA	C5-256BAA	C5-254B	C5-254BB	C5-257BB	C5-257B			
5	Impeller - Three Phase	1	C5-256BA	C5-256BAA	C5-254BA	C5-254BC	C5-257BB	C5-257B			
5A	Impeller Screw - Single Phase	1	-	-	-	-	C30-14SS	C30-14SS			
5A	Impeller Screw - Three Phase	1	C30-14SS	C30-14SS	C30-14SS	C30-14SS	C30-14SS	C30-14SS			
6	Volute Assembly - Complete	1	C101-281E	C101-281E	C101-281E	C101-281E	C101-264E	C101-264EB			
7	Wear Ring (only)	(1)	C23-27	C23-27	C23-27	C23-27	C23-19	C23-19			
8	Capscrew - 3/8 - 16 x 1"	2	-	-	-	-	U30-74ZP	U30-74ZP			
8A	Capscrew - 3/8 - 16 x 1-1/4"	2	U30-75ZP	U30-75ZP	U30-75ZP	U30-75ZP	U30-75ZP	U30-75ZP			
8	Capscrew - 3/8 - 16 x 1-1/2"	2	U30-76ZP	U30-76ZP	U30-76ZP	U30-76ZP	U30-76ZP	U30-76ZP			
9	Pipe Plug - 1/4" NPT	(3)	U78-57CT	U78-57CT	U78-57CT	U78-57CT	U78-57CT	U78-57CT			
9A	Drain Plug - 1/4" NPT	(1)	U78-941ZPV	U78-941ZPV	U78-941ZPV	U78-941ZPV	U78-941ZPV	U78-941ZPV			
†10	Gasket - Volute	1	C20-121	C20-121	C20-121	C20-121	C20-122	C20-122			
12	Base	1	J104-9A	J104-9A	J104-9A	J104-9A	J104-9A	J104-9F			
12A	Motor Pad	1	C35-5	C35-5	C35-5	C35-5	C35-5	C35-5			

* For repair or service to motors, always give the motor Model Number and any other data found on the Motor Model Plate.

† Included in Seal & Gasket Kit.