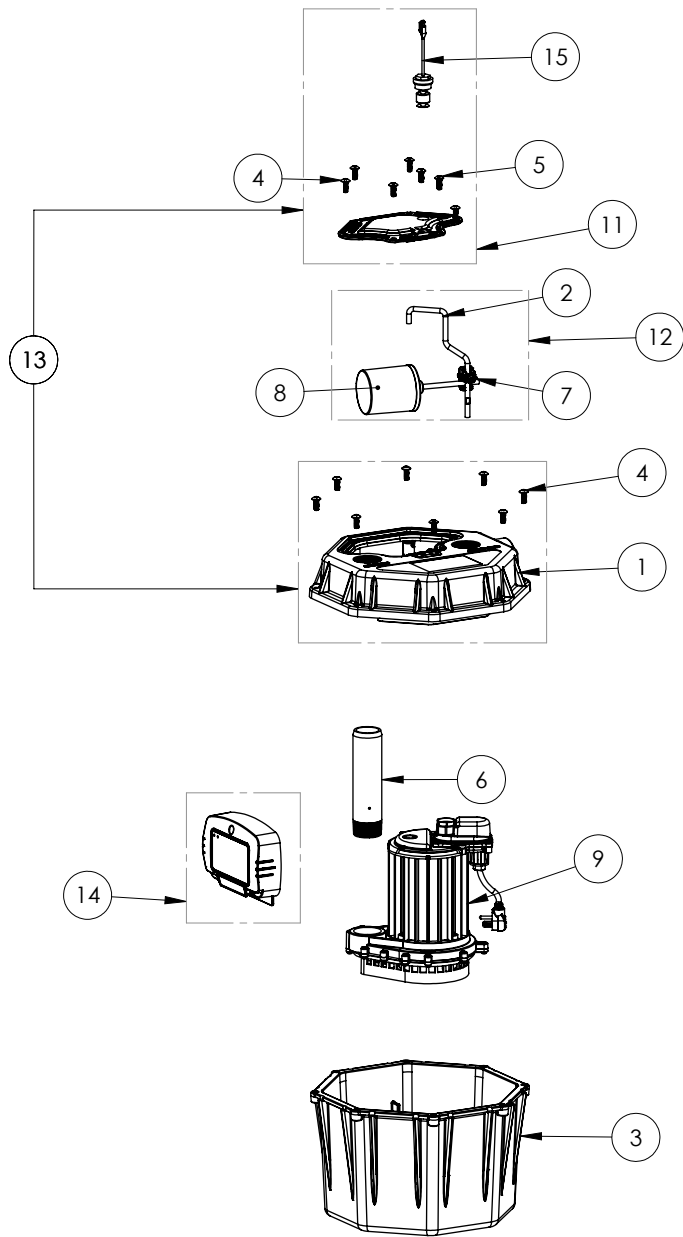


404A

# 404A (B59)



Liberty  
Pumps®

**404A****404A (B59)**

| #  | PART #  | DESCRIPTION  | QTY | Note |
|----|---------|--|-----|------|
| 1  | 53230AG | 404 COVER 1.5" INLET, 1.5" VENT, 1.5" DISCHARGE            | 1   |      |
| 2  | 5360000 | 404/405 QUICK TREE FLOAT ROD                               | 1   |      |
| 3  | K001153 | 404 TANK   | 1   |      |
| 4  | 8156000 | TRUSS HD, 1/4-20X3/4 18-8 SCREW                            | 14  |      |
| 5  | 8157000 | TRUSS HD 1/4-20 X 1 18-8 SCREW                             | 1   |      |
| 6  | 40500A0 | TOE NIPPLE PVC SCH 80 7.125 IN                             | 1   |      |
| 7  | 5045000 | FLOAT SUPPORT CLAMP 10-24                                  | 1   |      |
| 8  | 61400A0 | SWITCH NARROW ANGLE 404                                    | 1   |      |
| 9  | 404P    | PUMP, DOES NOT INCLUDE DISCHARGE PIPE                      | 1   | [1]  |
| 11 | K001721 | KIT ACCESS COVERW/ FLOAT FOR 404A, 405A                    | 1   |      |
| 12 | K001155 | SWITCH TREE KIT  | 1   |      |
| 13 | K001899 | 404A COVER KIT INCLUDES ACESS COVER W/ SWITCH,<br>HARDWARE | 1   |      |
| 14 | K001282 | KIT ALARM 115V SWT-ACTV                                    | 1   |      |
| 15 | 2367000 | FLOAT HIGH TEMP THEARED REED SWITCH                        | 1   |      |

**PART NOTES:**

[1] - [clickhere](#) for 404P pump assembly