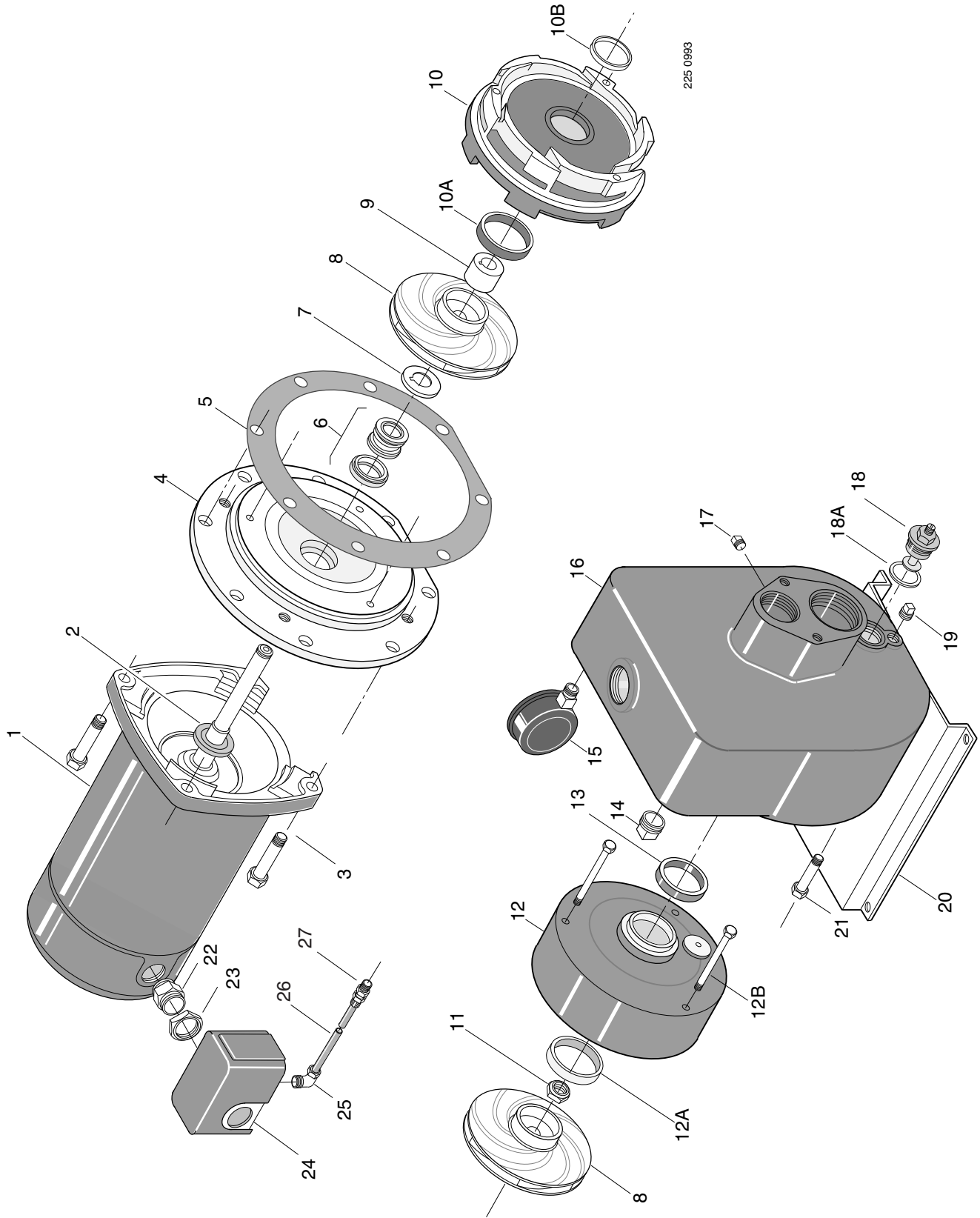


EXPLODED VIEW



REPAIR PARTS

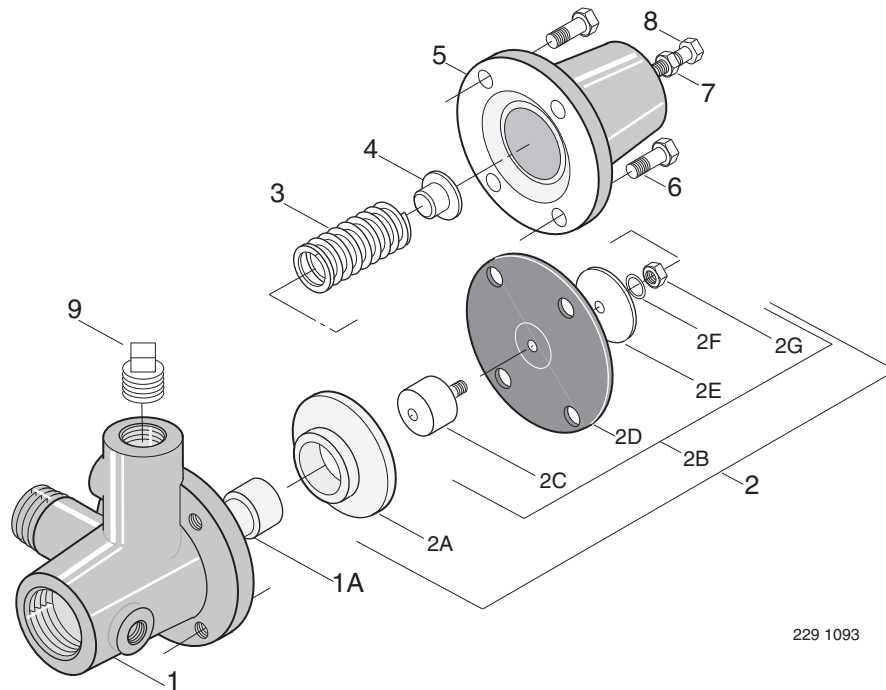
| KEY NO. | PART DESCRIPTION | W/KIT | NO. USED | 7LT2 3/4 HP | 10LT2 1 HP | 15LT2 1-1/2 HP |
|---------|---------------------------------------|-------|----------|----------------|---------------|-------------------|
| 1 | Motor, 60 Hz, 115/230V - Single Phase | | 1 | A700DH | A700EH | A700FH |
| •1A | Key - Shaft | OH | 2 | U65-15SS | U65-15SS | U65-15SS |
| 2 | Water Slinger | | 1 | 17351-0009 | 17351-0009 | 17351-0009 |
| 3 | Stud - 3/8" - 16 x 1" Hex Head | | 4 | U30-74ZP | U30-74ZP | U30-74ZP |
| 4 | Seal Plate | | 1 | L3-26 | L3-26 | L3-26 |
| 5 | Gasket - Seal Plate | OH/SG | 1 | L20-43 | L20-43 | L20-43 |
| 6 | Shaft Seal | OH/SG | 1 | U109-267 | U109-267 | U109-267 |
| 7 | Spring Holder Washer | OH/SG | 1 | J24-11 | J24-11 | J24-11 |
| 8 | Impeller | OH | 2 | L105-2PC | L105-2PB | L105-2P |
| 9 | Spacer - Impeller | | 1 | J43-23 | J43-23 | J43-23 |
| 10 | Diffuser Assembly w/Wear Rings | | 1 | L101-45 | L101-45 | L101-45 |
| 10A | Wear Ring | OH | (1) | L23-9 | L23-9 | L23-9 |
| 10B | Wear Ring | OH | (1) | P23-19 | P23-19 | P23-19 |
| 11 | Stop Nut - Shaft | OH | 1 | U36-175SSW | U36-175SSW | U36-175SSW |
| 12 | Diffuser Cover w/Wear Ring | | 1 | L103-27 | L103-27 | L103-27 |
| 12A | Wear Ring | | (1) | L23-9 | L23-9 | L23-9 |
| 12B | Capscrew - 1/4" - 20 x 3" Lg. | | 3 | U30-528SS | U30-528SS | U30-528SS |
| 13 | Diffuser Ring | OH/SG | 1 | L21-1 | L21-1 | L21-1 |
| 14 | Pipe Plug - 1/2" NPT | | 1 | U78-59ZPS | U78-59ZPS | U78-59ZPS |
| 15 | Pressure Gauge | | 1 | U239-8 | U239-8 | U239-8 |
| 16 | Pump Body | | 1 | L76-36 | L76-36 | L76-36 |
| 17 | Pipe Plug - 1/8" NPT | | 1 | U78-56ZPS | U78-56ZPS | U78-56ZPS |
| 18 | Valve Assembly | | 1 | 01322 | 01322 | 01322 |
| 18A | Gasket | | 1 | L20-39 | L20-39 | L20-39 |
| 19 | Plug - 1/4" NPT | | 1 | U78-941ZPV | U78-941ZPV | U78-941ZPV |
| 20 | Base | | 1 | U4-5 | U4-5 | U4-5 |
| •20A | Lockwasher - 3/8" | | 2 | U43-12ZP | U43-12ZP | U43-12ZP |
| •20B | Capscrew - 3/8" - 16 x 5/8" Lg. | | 2 | U30-71ZP | U30-71ZP | U30-71ZP |
| 21 | Capscrew - 3/8" - 16 x 7/8" Hex Head | | 8 | U30-73ZP | U30-73ZP | U30-73ZP |
| 22 | Connector | | 1 | L43-5C | L43-5C | L43-5C |
| 23 | Locknut - 1/2" | | 1 | U36-112ZP | U36-112ZP | U36-112ZP |
| 24 | Pressure Switch | | 1 | U217-1219 | U217-1219 | U217-1219 |
| 25 | Compression Fitting - Elbow - 1/4" | | 1 | U111-86T | U111-86T | U111-86T |
| 26 | Tube - Pressure Switch | | 1 | U37-217P | U37-217P | U37-217P |
| 27 | Compression Fitting - Straight - 1/4" | | 1 | U111-100T | U111-100T | U111-100T |

• Not shown.

SERVICE KITS

| | | | | |
|---|---|--------|--------|--------|
| Seal and Gasket Kit | 1 | PP1625 | PP1625 | PP1625 |
| Overhaul Kit | 1 | PP1631 | PP1632 | PP1633 |
| NOTE: SG Included in Seal and Gasket Kit. OH Included in Overhaul Kit. | | | | |

J212-24H Regulator Valve EXPLODED VIEW



229 1093

REPAIR PARTS

| KEY NO. | PART DESCRIPTION | QTY. | PART NUMBER |
|---------|---|------|-------------|
| | Pressure Regulator – Complete | 1 | Pkg. 107 |
| 1 | Regulator Body w/Seat | 1 | J112-14 |
| 1A | Seat | 1 | J66-16 |
| 2 | Diaphragm Assembly w/Guide (Incl. 2A, 2B) | 1 | J220-16B |
| 2A | Guide | 1 | J42-5 |
| 2B | Diaphragm Assembly (Incl. 2C, 2D, 2E, 2F, 2G) | 1 | J120-16 |
| 2C | Stem | 1 | J62-9 |
| 2D | Diaphragm | 1 | J20-16 |
| 2E | Spring Follower | 1 | J43-31 |
| 2F | Ext. Tooth Washer | 1 | U43-23ZP |
| 2G | Nut, Hex Head 1/4-20 | 1 | U36-36ZP |
| 3 | Spring | 1 | J24-13 |
| 4 | Spring Guide | 1 | J61-5 |
| 5 | Bonnet | 1 | J52-9 |
| 6 | Capscrew 5/16-18 x 3/4" | 4 | U30-60ZP |
| 7 | Nut, Hex Flanged 5/16-18 | 1 | U36-205ZP |
| 8 | Capscrew 5/16-18 x 2" | 1 | U30-69FTZP |
| 9 | Pipe Plug 1/2 NPT | 1 | U78-59ZPS |
| • | Compression Fitting 1/4" 90°EL | 1 | U111-212T |
| • | Tubing - Pressure Switch | 1 | U37-678P |

• Not shown