



---

# Series 60

Sleeve Bearing  
In-Line Mounted Centrifugal Pumps  
Replacement Parts

---

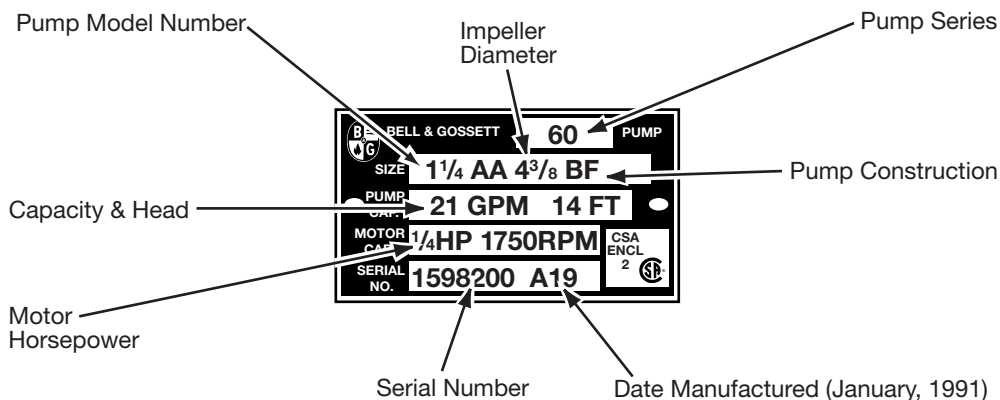


# Index

How to Use This Parts List .....	3
Exploded View – Series 60 Pump .....	4
Exploded View –	
Series 60 Bearing Assembly .....	5
Standard Size Pump Designations .....	6
Series 60 1AA Replacement Parts .....	7
Series 60 1 <sup>1</sup> / <sub>4</sub> AA Replacement Parts .....	8
Series 1 <sup>1</sup> / <sub>2</sub> AA Replacement Parts .....	9
Series 60 2AA Replacement Parts .....	10
Series 60 1 <sup>1</sup> / <sub>2</sub> A Replacement Parts .....	11
Series 60 2A Replacement Parts .....	12
Series 60 2 <sup>1</sup> / <sub>2</sub> F Replacement Parts .....	13
Maintenance-Free Ball Bearing Power Packs .....	14
XL-II™ Bearing Assemblies .....	15

# How to use this PARTS LIST

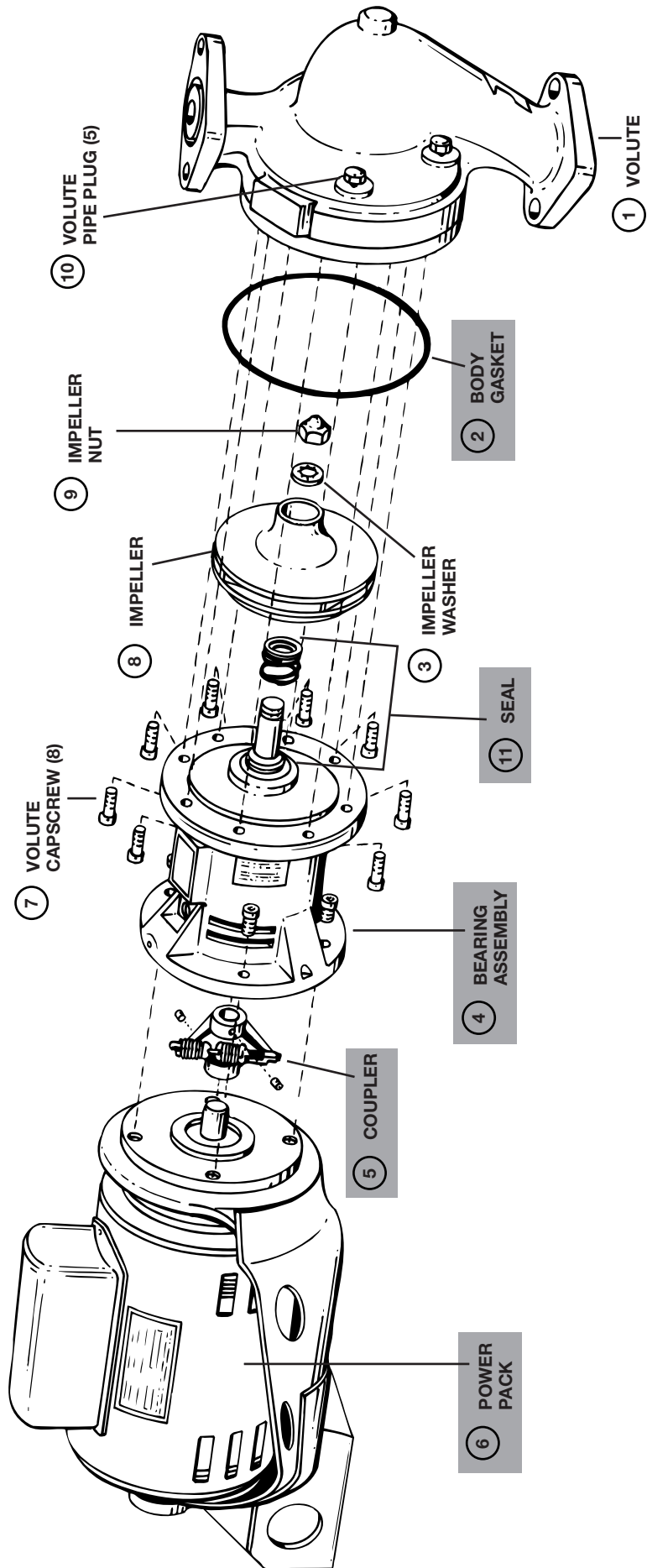
The pump nameplate identifies the pump by model number, pump construction and impeller diameter as shown below.



The nameplate above identifies the pump as a Series 60, 1<sup>1</sup>/<sub>4</sub>AA in bronze fitted (BF) construction. The impeller diameter is 4<sup>3</sup>/<sub>8</sub>" and is capable of pumping 21 GPM at 14 FT. The motor horsepower is 1/4, the RPM is 1750. The serial number specifically identifies the unit for future reference. **DO NOT REMOVE THE NAMEPLATE.** It is important when ordering replacement parts to furnish complete nameplate data.

The following procedure will result in proper parts selection.

1. Determine from the nameplate the model number, pump construction and impeller diameter.
2. Refer to the index for the page number of the parts breakdown for the specific model pump.
3. Find the proper column in the parts breakdown for the pump construction involved.
4. Select part numbers using the numbered drawings on pages 4 & 5 for identification.



# Series 60 Pump

## Exploded View

— Factory recommended spare part



## STANDARD SIZE DESIGNATIONS

			(6) SLEEVE BEARING POWER PACK		(5)		(8)
STANDARD PUMP SIZE	EQUIVALENT SIZE	HP	1 PHASE 115/230	3 PHASE TRI VOLT	COUPLER	IMPELLER DIAMETER	IMPELLER
60-1S & 60-1T	1"AA	1/4	169035+	169037	118473	5 1/4"	186359
60-2S & 60-2T	1 1/4"AA	1/3	169038	169039	118473	5 1/4"	186359
60-3S & 60-3T	1 1/2"AA	1/2	111044	111046	118473	5 1/4"	186368
60-4S & 60-4T	2"AA	3/4	111047	111049	118473	5 1/4"	186326
60-5S & 60-5T	1 1/2"A	1/2	111044	111046	186410	5 3/4"	P57447
60-6S & 60-6T	1 1/2"A	3/4	111047	111049	186410	6 1/2"	P57445*
60-7S & 60-7T	1 1/2"A	1	N/A	N/A	186004	7"	P57445
60-8S & 60-8T	2"A	3/4	111047	111049	186410	5 5/8"	P57452*
60-9S & 60-9T	2"A	1	N/A	N/A	186004	6 1/8"	P57451*
60-10T	2"A	1 1/2	-	N/A	186003	6 3/4"	P57450*
60-10S	1"AA	1/4	169035+	-	118473	5 3/4"	186359
60-11S & 60-11T	1 1/4"AA	1/4	169035+	169037	118473	5 3/16"	186360
60-B11S	1 1/4"AA	1/4	169035+	-	118473	5 3/16"	186360
60-13S & 60-13T	1 1/2"AA	1/2	111044	111046	118473	5 1/4"	186368
60-B13S & 60-B13T	1 1/2"AA	1/2	111044	111046	118473	5 1/4"	186368
60-14S & 60-14T	2"AA	3/4	111047	111049	118473	5 1/4"	118626
60-B14S & 60-B14T	2"AA	3/4	111047	111049	118473	5 1/4"	118626
60-15S & 60-15T	1 1/2"A	1/2	111044	111046	186410	5 3/4"	P57447
60-16S & 60-16T	1 1/2"A	3/4	111047	111049	186410	6 3/8"	P57446
60-17S & 60-17T	1 1/2"A	1	N/A	N/A	186004	7"	P57445
60-19S & 60-19T	2"A	1	N/A	N/A	186004	6"	P57452
60-20S & 60-20T	2"A	1 1/2	N/A	N/A	186003	6 1/2"	P57451
60-21T	2"A	2	-	N/A	186003	7"	P57450
60-22T	2 1/2"F	3	-	169221	P77279	7 3/4"	P57584

+ 115V only. For 230V, use 169036.

\*Trim impeller to diameter shown.

N/A – No longer available. See note below.

– Factory recommended spare parts.

NOTE: Sleeve bearing power packs and maintenance-free ball bearing power packs are interchangeable. Refer to the Power Pack Cross Reference chart on page 14.

# 1AA

ITEM NO.	DESCRIPTION	BRONZE FITTED	ALL BRONZE	ALL IRON
1	Volute	186384	186385LF	186384
10	Volute Drain Plug (5)	P39020	P39470	P39020
7	Volute Capscrew (8)	P10620	P01850	P10620
8	Impeller (State Diameter)	P56550	P56550	P60350*
	Flange (2)	P01510	P00836	P01510
	Fastener Package w/ Flange Gaskets	P64910	P64900	P64910
	Flange Gasket Set	118368	118368	118368
4	Sleeve Bearing Assembly	186863LF	186863LF	186865
	Consisting of:			
13	Bearing Bracket	P77179	P77179	P77179
14	Front Bearing	P77216	P77216	P77215
15	Front Bearing Gasket	P80816	P80816	P80816
16	Shaft Assembly	189035LF	189035LF	P81960
11	Seal Kit	118681LF	118681LF	186681LF
2	Body Gasket	P57410	P57410	P57410
	Impeller Key	P04940	P04940	P04940
9	Impeller Nut	P2000236	P2000236	P04670
3	Impeller Washer	P57000	P57000	P04650
18	Oil Well Cover	P81239	P81239	P81239
19	Oil Wick	118395	118395	118395

\*Steel Impeller

## COUPLER SELECTION

ITEM NO.	PUMP SHAFT SIZE	HP	FRAME SIZE	MOTOR SHAFT SIZE	STANDARD COUPLER	EXPLOSION PROOF COUPLER
5	1/2"	-	B&G	1/2"	118473	P77234
5	1/2"	-	56	5/8"	118709	118635

## SLEEVE BEARING POWER PACK SELECTION

ITEM NO.	HP	1 PHASE 115/230V	3 PHASE 208-230/460V	RING MOUNTS
6	1/4	169035+	169037	118228
6	1/3	169038	169039	118228
6	1/2	111044	111046	118228

+115V only. For 230V, use part number 169036.

 - Factory recommended spare parts.

**1 1/4AA**

ITEM NO.	DESCRIPTION	BRONZE FITTED	ALL BRONZE	ALL IRON
1	Volute	186386	186931LF	186386
10	Volute Drain Plug (5)	P39020	P39470	P39020
7	Volute Capscrew (8)	P10620	P01850	P10620
8	Impeller (State Diameter)	P56550	P56550	P60350*
	Flange (2)	P03250	P00837	P03250
	Fastener Package w/ Flange Gaskets	P64910	P64900	P64910
	Flange Gasket Set	118368	118368	118368
4	Sleeve Bearing Assembly	186863LF	186863LF	186865
	Consisting of:			
13	Bearing Bracket	P77179	P77179	P77179
14	Front Bearing	P77216	P77216	P77215
15	Front Bearing Gasket	P80816	P80816	P80816
16	Shaft Assembly	189035LF	189035LF	P81960
11	Seal Kit	118681LF	118681LF	186681LF
2	Body Gasket	P57410	P57410	P57410
	Impeller Key	P04940	P04940	P04940
9	Impeller Nut	P2000236	P2000236	P04670
3	Impeller Washer	P57000	P57000	P04650
18	Oil Well Cover	P81239	P81239	P81239
19	Oil Wick	118395	118395	118395

\*Steel Impeller

**COUPLER SELECTION**

ITEM NO.	PUMP SHAFT SIZE	HP	FRAME SIZE	MOTOR SHAFT SIZE	STANDARD COUPLER	EXPLOSION PROOF COUPLER
5	1/2"	-	B&G	1/2"	118473	P77234
5	1/2"	-	56	5/8"	118709	118635

**SLEEVE BEARING POWER PACK SELECTION**

ITEM NO.	HP	1 PHASE 115/230V	3 PHASE 208-230/460V	RING MOUNTS
6	1/4	169035+	169037	118228
6	1/3	169038	169039	118228
6	1/2	111044	111046	118228

+115V only. For 230V, use part number 169036.

 - Factory recommended spare parts.



**1 1/2AA**

ITEM NO.	DESCRIPTION	BRONZE FITTED	ALL BRONZE	ALL IRON
1	Volute	186389	186932LF	186389
10	Volute Drain Plug (5)	P39020	P39470	P39020
7	Volute Capscrew (8)	P10620	P01850	P10620
8	Impeller (State Diameter)	P56740	P56740	P61010*
	Flange (2)	P03410	P06690	P03410
	Fastener Package w/ Flange Gaskets	P64940	P64930	P64940
	Flange Gasket Set	118373	118373	118373
4	Sleeve Bearing Assembly	186863LF	186863LF	186865
	Consisting of:			
13	Bearing Bracket	P77179	P77179	P77179
14	Front Bearing	P77216	P77216	P77215
15	Front Bearing Gasket	P80816	P80816	P80816
16	Shaft Assembly	189035LF	189035LF	P81960
11	Seal Kit	118681LF	118681LF	186681LF
2	Body Gasket	P57410	P57410	P57410
	Impeller Key	P04940	P04940	P04940
9	Impeller Nut	P2000236	P2000236	P04670
3	Impeller Washer	P57000	P57000	P04650
18	Oil Well Cover	P81239	P81239	P81239
19	Oil Wick	118395	118395	118395

\*Steel Impeller

**COUPLER SELECTION**

ITEM NO.	PUMP SHAFT SIZE	HP	FRAME SIZE	MOTOR SHAFT SIZE	STANDARD COUPLER	EXPLOSION PROOF COUPLER
5	1/2"	-	B&G	1/2"	118473**	P77234
5	1/2"	-	56	5/8"	118709	118635

\*\*Use 185329 sleeve-type coupler with 3/4 HP maintenance-free ball bearing motors

**SLEEVE BEARING POWER PACK SELECTION**

ITEM NO.	HP	1 PHASE 115/230V	3 PHASE 208-230/460V	RING MOUNTS
6	1/4	169035+	169037	118228
6	1/3	169038	169039	118228
6	1/2	111044	111046	118228
6	3/4	111047	111049	118228

+115V only. For 230V, use part number 169036.

- Factory recommended spare parts.

## 2AA

ITEM NO.	DESCRIPTION	BRONZE FITTED	ALL BRONZE	ALL IRON
1	Volute	186392	186933LF	186392
10	Volute Drain Plug (5)	P39020	P39470	P39020
7	Volute Capscrew (8)	P10620	P01850	P10620
8	Impeller (State Diameter)	P56810	P56810	P61550*
	Flange (2)	F14200	F54200	F14200
	Fastener Package w/ Flange Gasket (2)	P65030	P65031	P65030
	Flange Gasket Set	118378	118378	118378
4	Sleeve Bearing Assembly	186863LF	186863LF	186865
	Consisting of:			
13	Bearing Bracket	P77179	P77179	P77179
14	Front Bearing	P77216	P77216	P77215
15	Front Bearing Gasket	P80816	P80816	P80816
16	Shaft Assembly	189035LF	189035LF	P81960
11	Seal Kit	118681LF	118681LF	186681LF
2	Body Gasket	P57410	P57410	P57410
	Impeller Key	P04940	P04940	P04940
9	Impeller Nut	P2000236	P2000236	P04670
3	Impeller Washer	P57000	P57000	P04650
18	Oil Well Cover	P81239	P81239	P81239
19	Oil Wick	118395	118395	118395

\*Steel Impeller

## COUPLER SELECTION

ITEM NO.	PUMP SHAFT SIZE	HP	FRAME SIZE	MOTOR SHAFT SIZE	STANDARD COUPLER	EXPLOSION PROOF COUPLER
5	1/2"	-	B&G	1/2"	118473**	P77234
5	1/2"	-	56	5/8"	118709	118635

\*\*Use 185329 sleeve-type coupler with 3/4 HP maintenance-free ball bearing motors

## SLEEVE BEARING POWER PACK SELECTION

ITEM NO.	HP	1 PHASE 115/230V	3 PHASE 208-230/460V	RING MOUNTS
6	1/4	169035+	169037	118228
6	1/3	169038	169039	118228
6	1/2	111044	111046	118228
6	3/4	111047	111049	118228

+115V only. For 230V, use part number 169036.

■ - Factory recommended spare parts.

**1 1/2A**

ITEM NO.	DESCRIPTION	BRONZE FITTED	ALL BRONZE	ALL IRON
1	Volute	186390	186934LF	186390
10	Volute Drain Plug (5)	P39020	P39470	P39020
7	Volute Capscrew (8)	P40020	P52310	P40020
8	Impeller (State Diameter)	P57445	P57445	P57500
	Flange (2)	P03410	P06690	P03410
	Fastener Package w/ Flange Gaskets	P64940	P64930	P64940
	Flange Gasket Set	118373	118373	118373
4	Sleeve Bearing Assembly	185260LF	185262LF	185261
	Consisting of:			
13	Bearing Bracket	P57282	P57282	P57282
12	Coverplate	P57246	P2000095	P57246
14	Front Bearing*	185241	185241	185241
21	Rear Bearing	185240	185240	185240
16	Shaft	118469	118469	P08725
	Coupler Key	H32400	H32400	H32400
11	Seal Kit	186499LF	186499LF	186433
2	Body Gasket	P57700	P57700	P57700
	Impeller Key	P49358	P49358	P49358
9	Impeller Nut	P45910	P2000220	P45910
3	Impeller Washer	P11150	P11220	P11150
18	Oil Well Cover	P57302	P57302	P57302
17	Oil Well Gasket	P57300	P57300	P57300
19	Oil Wick (2)	P04883	P04883	P04883
20	Oil Wick Retainer (2)	P12422	P12422	P12422

\*Includes P57303 Lip Seal

**COUPLER SELECTION**

ITEM NO.	PUMP SHAFT SIZE	HP	FRAME SIZE	MOTOR SHAFT SIZE	STANDARD COUPLER	EXPLOSION PROOF COUPLER
5	5/8"	1/2, 3/4	B&G	1/2"	186410	P77237
5	5/8"	1	56	5/8"	186004	186004
5	5/8"	1	143TZ	5/8"	186004	186004
5	5/8"	1 1/2	56	5/8"	186003	186003
5	5/8"	1 1/2	145TZ	5/8"	186003	186003

**SLEEVE BEARING POWER PACK SELECTION**

ITEM NO.	HP	1 PHASE 115/230V	3 PHASE 208-230/460V	RING MOUNTS
6	1/2	111044	111046	118228
6	3/4	111047	111049	118228
6	1	N/A	N/A	118848**
6	1 1/2	N/A	N/A	118848**

\*\*For 3 phase only. Motor mounts for single phase power packs not available.

N/A - Not available. See note below.

NOTE: Sleeve bearing power packs and maintenance-free ball bearing power packs are interchangeable.

Refer to the Power Pack Cross Reference chart on page 14.

- Factory recommended spare parts.

## 2A

ITEM NO.	DESCRIPTION	BRONZE FITTED	ALL BRONZE	ALL IRON
1	Volute	186937LF	186938LF	186937LF
10	Volute Drain Plug (5)	P39020	P39470	P39020
7	Volute Capscrew (8)	P40020	P52310	P40020
8	Impeller (State Diameter)	P57450	P57450	N/A
	Flange (2)	F14200	F54200	F14200
	Fastener Package w/ Flange Gasket (2)	P65030	P65031	P65030
	Flange Gasket Set	118378	118378	118378
4	Sleeve Bearing Assembly	185260LF	185262LF	185261LF
	Consisting of:			
13	Bearing Bracket	P57282	P57282	P57282
12	Coverplate	P57246	P2000095	P57246
14	Front Bearing*	185241	185241	185241
21	Rear Bearing	185240	185240	185240
16	Shaft	118469	118469	P08725
	Coupler Key	H32400	H32400	H32400
11	Seal	186499LF	186499LF	186433
2	Body Gasket	P57700	P57700	P57700
	Impeller Key	P49358	P49358	P49358
9	Impeller Nut	P45910	P2000236	P45910
3	Impeller Washer	P11150	P11220	P11150
18	Oil Well Cover	P57302	P57302	P57302
17	Oil Well Gasket	P57300	P57300	P57300
19	Oil Wick (2)	P04883	P04883	P04883
20	Oil Wick Retainer (2)	P12422	P12422	P12422

\*Includes P57303 Lip Seal

## COUPLER SELECTION

ITEM NO.	PUMP SHAFT SIZE	HP	FRAME SIZE	MOTOR SHAFT SIZE	STANDARD COUPLER	EXPLOSION PROOF COUPLER
5	5/8"	1/2, 3/4	B&G	1/2"	186410	P77237
5	5/8"	1	56	5/8"	186004	186004
5	5/8"	1	143TZ	5/8"	186004	186004
5	5/8"	1 1/2, 2	56	5/8"	186003	186003
5	5/8"	1 1/2, 2	145TZ	5/8"	186003	186003

## SLEEVE BEARING POWER PACK SELECTION

ITEM NO.	HP	1 PHASE 115/230V	3 PHASE 208-230/460V	RING MOUNTS
6	1/2	111044	111046	118228
6	3/4	111047	111049	118228
6	1	N/A	N/A	118848**
6	1 1/2	N/A	N/A	118848**
6	2	-	N/A	118848

\*\*For 3 phase only. Motor mounts for single phase power packs not available.

N/A - Not available. See note below.

NOTE: Sleeve bearing power packs and maintenance-free ball bearing power packs are interchangeable.

Refer to the Power Pack Cross Reference chart on page 14.

- Factory recommended spare parts.

**2<sup>1</sup>/<sub>2</sub>F**

ITEM NO.	DESCRIPTION	BRONZE FITTED	ALL BRONZE	ALL IRON
1	Volute	P57232	P2000060	NOT AVAILABLE
10	Volute Drain Plug (5)	P39040	P39480	
7	Volute Capscrew (12)	P03470	S04180	
8	Impeller (State Diameter)	P57583	P57583	
4	Sleeve Bearing Assembly	185264LF	185265	
	Consisting of:			
13	Bearing Bracket	P57282	P57282	
12	Coverplate	P57242	P2000062	
14	Front Bearing*	185241	185241	
21	Rear Bearing	185240	185240	
16	Shaft Assembly	118469	118469	
	Coupler Key	H32400	H32400	
11	Seal Kit	186499LF	186499LF	
2	Body Gasket	P57701	P57701	
	Impeller Key	P49358	P49358	
9	Impeller Nut	P45910	P2000220	
3	Impeller Washer	P11150	P11220	
18	Oil Well Cover	P57302	P57302	
17	Oil Well Gasket	P57300	P57300	
19	Oil Wick (2)	P04883	P04883	
20	Oil Wick Retainer (2)	P12422	P12422	

\*Includes P57303 Lip Seal

**COUPLER SELECTION**

ITEM NO.	PUMP SHAFT SIZE	HP	FRAME SIZE	MOTOR SHAFT SIZE	STANDARD COUPLER	EXPLOSION PROOF COUPLER
5	5/8"	1 <sup>1</sup> / <sub>2</sub> , 2	145TZ	5/8"	186003	186003
5	5/8"	3	145TC	7/8"	P77279	P77279
5	5/8"	3	182TC	1 <sup>1</sup> / <sub>8</sub> "	P77281	P77281

**POWERPACK SELECTION**

ITEM NO.	HP	1 PHASE 115/230V	3 PHASE 208-230/460V	RING MOUNTS
6	1 <sup>1</sup> / <sub>2</sub>	N/A	N/A	118848**
6	2	-	N/A	118848
6	3	-	169221 (145TC)	NONE
6	3	-	169223+ (182TC)	NONE

+For 208V only, use 169222.

\*\*For 3 phase only. Motor mounts for single phase power packs not available.

N/A - Not available. See note below.

NOTE: Sleeve bearing power packs and maintenance-free ball bearing power packs are interchangeable. Refer to the Power Pack Cross Reference chart on page 14.

 - Factory recommended spare parts.

# MAINTENANCE-FREE BALL BEARING POWER PACKS

## POWER PACK CROSS REFERENCE

HP	PH	SLEEVE BEARING			MAINTENANCE-FREE BALL BEARING		
		VOLTAGE	MOTOR MOUNTS	POWER PACK PART NO.	VOLTAGE	MOTOR MOUNTS	POWER PACK PART NO.
¼	1	115/230	118228	169035/169036	115/208-230	118228	169224
¼	3	208-230/460	118228	169037	208-230/460	118228	169225
⅛	1	115/230	118228	169038	115/208-230	118228	169226
⅛	3	208-230/460	118228	169039	208-230/460	118228	169227
½	1	115/230	118228	111044	115/208-230	118228	169228
½	3	208-230/460	118228	111046	208-230/460	118228	169229
¾	1	115/230	118228	111047*	115/208-230	118228	169230*
¾	3	208-230/460	118228	111049*	208-230/460	118228	169231*
1	1	115/230	N/A	N/A**	115/208-230	118848	169232**
1	3	208-230/460	118848	N/A**	208-230/460	118848	169233**
1½	1	115/230	N/A	N/A	115/208-230	NONE	169236
1½	3	208-230/460	118848	N/A	208-230/460	NONE	169237
2	3	208-230/460	118848	N/A	208-230/460	NONE	169238
3	3	208-230/460	NONE	169221	208-230/460	NONE	169234

\*When replacing the sleeve bearing motor with the maintenance-free ball bearing motor, the 118473 spring-type coupler must be changed to the 185329 sleeve-type coupler.

\*\*When replacing the old sleeve bearing motor with the new maintenance-free ball bearing motor, the 5/8" x 5/8" coupler part number 186004 must be changed to the 5/8" x 1/2" coupler part number 185330.

**NOTE: Sleeve bearing power packs and maintenance-free ball bearing power packs are interchangeable.**

When replacing a sleeve bearing power pack with a ball bearing power pack, the old motor bracket must be removed from the pump and discarded. The ball bearing power pack is bolted directly to the bearing assembly.

■ – Factory recommended spare parts.

N/A – Not Available.

# XL-11™ BEARING ASSEMBLIES

## BEARING ASSEMBLY CROSS REFERENCE

SLEEVE BEARING			XL-11™ BEARING	
PUMP SIZE	PUMP TYPE	BEARING ASSEMBLY PART NO.	BEARING ASSEMBLY PART NO.	SIZE
AA	BF or AB	186863LF	185332LF*	SMALL
A	BF	185260LF	185333LF**	LARGE
A	AB	185262LF	185334LF**	LARGE
F	BF	185264LF	N/A	N/A
F	AB	185265	N/A	N/A

**NOTE: Sleeve bearing assemblies and XL-11 bearing assemblies are interchangeable.**

\*The 185332 Bearing Assembly is 5/8" longer than the AA sleeve bearing frame.

\*\*When replacing a sleeve bearing assembly with a new XL-11 bearing assembly on an "A" size pump that has the original factory-installed 7" power pack, an adapter kit is required.

## XL-11™ BEARING ASSEMBLIES

ITEM NO.	DESCRIPTION	SMALL	LARGE	
		185332	185333	185334
11	Seal Kit	118681LF	186499LF	186499LF
	XL-11™ Bearing Frame Repair Kit <sup>+</sup>	185335LF	185337LF	185337LF
2	Volute Gasket	P57410	P57700	P57700
12	Coverplate	NONE	P57246	P2000095
	Coupler Cover	NONE	P03982	P03982

<sup>+</sup>Includes pre-assembled shaft, sleeve and bearings, wave spring and volute gasket.

■ – Factory recommended spare parts.

N/A – Not Available.

# Xylem |'zīləm|

- 1) The tissue in plants that brings water upward from the roots;
- 2) a leading global water technology company.

We're 12,700 people unified in a common purpose: creating innovative solutions to meet our world's water needs. Developing new technologies that will improve the way water is used, conserved, and re-used in the future is central to our work. We move, treat, analyze, and return water to the environment, and we help people use water efficiently, in their homes, buildings, factories and farms. In more than 150 countries, we have strong, long-standing relationships with customers who know us for our powerful combination of leading product brands and applications expertise, backed by a legacy of innovation.

**For more information on how Xylem can help you, go to [www.xyleminc.com](http://www.xyleminc.com)**



Xylem Inc.  
8200 N. Austin Avenue  
Morton Grove, Illinois 60053  
Phone: (847) 966-3700  
Fax: (847) 965-8379  
[www.bellgossett.com](http://www.bellgossett.com)

Bell & Gossett is a trademark of Xylem Inc. or one of its subsidiaries.  
© 2013 Xylem Inc. CP-105H-PL July 2010