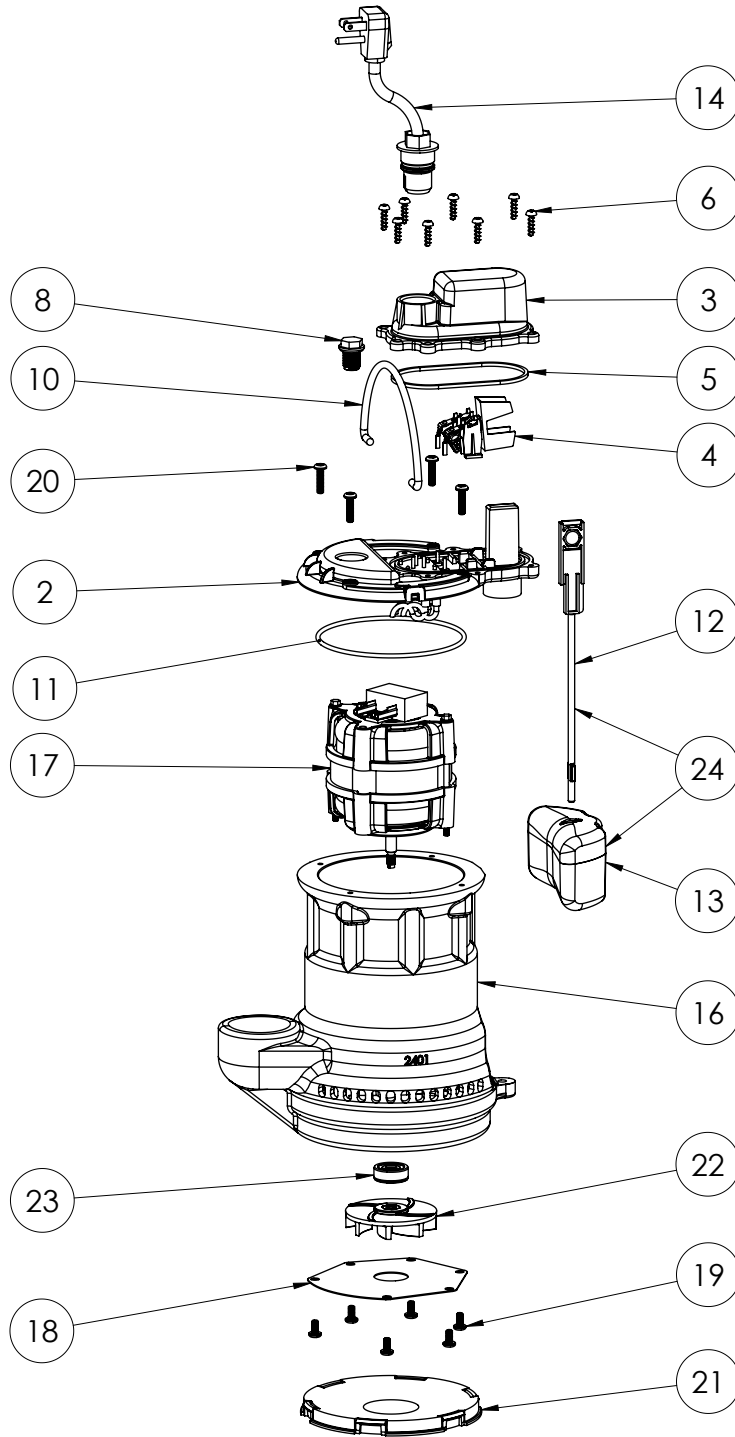


247-2 (B59)



247-2 (B59)

#	PART #	DESCRIPTION	QTY	Note
2	206500B	VMF MOTOR COVER, BLACK	1	
3	K001069	VMF SWITCH COVER, BLACK	1	
4	K001012	VMF SWITCH	1	
5	2072000	SEALRING, SWITCH COVER	1	
6	8104200	#10 HILO X 5/8" STAINLESS STEEL SCREW	8	
8	8089000	OIL PLUG, O-RING ASSEMBLY	1	
10	K001082	HANDLE	1	
11	2357000	O-RING	1	[1]
12	2075000	VMF FLOAT ROD	1	[1]
13	2362000	VMF FLOAT	1	[1]
14	K001008	POWER CORD, 115V, 25 FOOT CORD	1	
16	242300J	CAST IRON HOUSING VMF	1	[1]
17	2415200	PSC MOTOR	1	[1]
18	24030A0	FLAT VOLUTE PLATE	1	
19	8092000	#10 - 24 x 3/8" SCREW	6	
20	8072000	#10 - 24 x 3/4" SCREW	4	
21	25020A0	SOLID BOTTOM PLUG	1	
22	2416000	IMPELLER	1	
23	K001254	3043000 5/16" SHAFT SEAL	1	[1]
24	K001048	VMF FLOAT AND ROD KIT	1	

PART NOTES:

[1] - Part requires factory authorized service. Contact Liberty Pumps at 1-800-543-2550