



Booster Pumps

**INSTRUCTIONS FOR THE
FOLLOWING B&G PRODUCTS:
2 1/2", LD3, HD3, PD35, PD37, 1HP & 1 1/2HP**

INSTALLER: PLEASE LEAVE THIS MANUAL FOR THE OWNER'S USE.

DESCRIPTION

For applications requiring higher flow and head pressures, Bell & Gossett provides an entire range of booster pumps. The designs of these pumps are based on three-part configuration which offers complete field repairability and compact construction. All Bell & Gossett boosters are equipped with the incomparable B&G manufactured motor for quiet and efficient operation.

These pumps are for indoor use only.



This product can expose you to chemicals including Lead, which is known to the State of California to cause cancer and birth defects or other reproductive harm. For more information go to: www.P65Warnings.ca.gov.

PUMP APPLICATION

Bell & Gossett Booster Pumps may be used for hydronic heating and cooling systems, domestic water, industrial applications and general service operations. Bell & Gossett recommends that bronze constructed pumps be used for pumping potable water.

OPERATIONAL LIMITS

These pumps are designed to pump liquids compatible with their iron or bronze body construction. This pump line delivers maximum capacities from 100 GPM to 150 GPM. Unless special provisions have been made by Bell & Gossett, the operational limits for Series 2 1/2", LD3, HD3, PD35, PD37, PD38 & PD40 Pumps are listed below.

Max. Working Pressure:	125 psi
Max. Operating Temperature:	225°F
Electrical Rating:	115/230V, 60 Hz, 1PH 208-230/460V, 60 Hz, 3PH
(1/4 HP only)	115V or 230V, 60 Hz, 1PH

Motors with special electrical characteristics are available on request. Contact your local Bell & Gossett Representative for details.



SAFETY INSTRUCTIONS

This safety alert symbol will be used in this manual and on the pump safety instructions decal to draw attention to safety related instructions. When used, the safety alert symbol means ATTENTION! BECOME ALERT! YOUR SAFETY IS INVOLVED! FAILURE TO FOLLOW THE INSTRUCTIONS MAY RESULT IN A SAFETY HAZARD.



Your Booster Pump should have this warning label affixed to the pump near the conduit box cover. If this warning is missing or illegible, contact your local Bell & Gossett Representative for a replacement.

SAFETY REQUIREMENTS

MECHANICAL SAFETY

WARNING: EXCESSIVE SYSTEM PRESSURE HAZARD

The maximum working pressure of the pump is listed on the nameplate – DO NOT EXCEED THIS PRESSURE. Failure to follow these instructions could result in serious personal injury, death and/or property damage.

WARNING: EXCESSIVE PRESSURE HAZARD – VOLUMETRIC EXPANSION

The heating of water and other fluids causes volumetric expansion. The associated forces may cause failure of system components and the release of high temperature fluids. This can be prevented by installing properly sized and located compression tanks and pressure relief valves. Failure to follow these instructions could result in serious personal injury, death and/or property damage.

THERMAL SAFETY

WARNING: EXTREME TEMPERATURE HAZARD

If the pump, motor or piping are operating at extremely high or low temperature, guarding or insulation is required. Failure to follow these instructions could result in serious personal injury, death and/or property damage.

WARNING: HOT WATER HAZARD

When disassembling a gasketed joint, always use a new gasket upon reassembly. NEVER REUSE OLD GASKETS. Failure to follow these instructions could result in serious personal injury, death and/or property damage.

ELECTRICAL SAFETY

WARNING: ELECTRICAL SHOCK HAZARD

Electrical connections are to be made by a qualified electrician in accordance with all applicable codes, ordinances and good practices. Failure to follow these instructions could result in serious personal injury, death and/or property damage.

WARNING: ELECTRICAL OVERLOAD HAZARD

Three phase motors must have properly sized heaters to provide overload and under voltage protection. Single phase motors have built-in overload protectors. Failure to follow these instructions could result in serious personal injury, death and/or property damage.

WARNING: ELECTRICAL GROUNDING HAZARD

Adequate electrical grounding is required for the safe operation of B&G Pumps. The use of grounded metal conduit assures this requirement. If the means of connection to the supply-connection box (wiring compartment) is other than grounded metal conduit, ground the pump back to the service by connecting a copper conductor at least the size of the circuit conductors supplying the pump to the green grounding screw provided within the wiring compartment. Failure to follow these instructions could result in serious personal injury, death and/or property damage.

REMOVAL OF THE PUMP FROM EXISTING SYSTEM FOR REPLACEMENT

WARNING: ELECTRICAL SHOCK HAZARD

Disconnect and lockout the power before servicing. Failure to follow these instructions could result in serious personal injury or death.

1. Close the valves on the suction and discharge sides of the pump. If no valves have been installed, it may be necessary to drain the system.

WARNING: HOT WATER HAZARD

Before draining the system, allow water to cool to 100°F max., open the drain valve (take precautions against water damage) and leave the drain valve open until servicing is complete. Failure to follow these instructions could result in serious personal injury, death and/or property damage.

WARNING: ELECTRICAL SHOCK HAZARD

Be certain the electrical power is not present at the motor leads before continuing. Failure to follow these instructions could result in serious personal injury or death.

2. Loosen the conduit box cover screw and remove the cover.

WARNING: UNEXPECTED START-UP HAZARD

Single phase motors are equipped with automatic reset overload protectors. The pump can restart without warning. Disconnect and lockout power before servicing. Failure to follow these instructions could result in serious personal injury, death and/or property damage.

3. Disconnect the electrical supply lines to the pump.

WARNING: HIGH PRESSURE HAZARD

Pressure may be present in the pump body. This pressure can be relieved by loosening the flange bolts and shifting the pump assembly slightly to allow the pressurized water to escape. Failure to follow these instructions could result in serious personal injury or death.

4. Remove the flange bolts and nuts and then remove the pump from the piping.

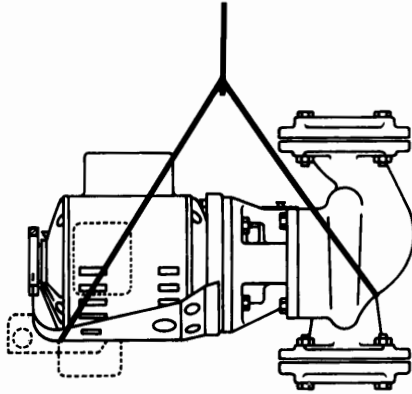
PUMP INSTALLATION

PUMP LOCATION

Bell & Gossett booster pumps should be installed where there will be sufficient room for future inspection, maintenance and service. It is highly recommended that service valves (shut-off) also be installed on each side of circulator pumps to facilitate servicing or replacing the pump without draining the system.

If it is required to lift the entire pump, do so with slings placed around the pump assembly as shown below.

IMPORTANT: In closed systems, do not install and operate Bell & Gossett pumps, 3D valves, suction diffusers, etc., without properly sized safety and control devices. Such devices include the properly sized and located pressure relief valves, compression tanks and pressure, temperature, and flow controls. If the system is not equipped with these devices, consult the responsible engineer or architect before operating.



PUMP SUPPORT AND PIPING

Install the suction and discharge flanges on the pipe ends using Teflon®* tape sealer or high quality thread sealant. Minimize strain on the pump by supporting the suction and discharge piping with pipe hangers near the pump. Line up the vertical and horizontal pipings so that the bolt-holes in both the pump and pipe flanges are aligned. **DO NOT ATTEMPT TO SPRING THE SUCTION OR DISCHARGE LINES INTO POSI-**

TION. THIS MAY RESULT IN UNWANTED STRESS IN THE PUMP BODY, FLANGE CONNECTIONS AND/OR PIPING. The code for pressure piping, ANSI B31.1, lists types of supports for various applications.

Ordinary wire or band hangers are not adequate to maintain alignment. It is very important to provide strong, rigid support for the suction and discharge lines.

IMPORTANT: Do not support the pump by its power pack. To function properly, the power pack must not be restrained.

PUMP FLANGES

New Bell & Gossett flange gaskets must be installed between the flanges of the pump body and suction and discharge pipes. The gaskets should be clean and grease-free; old gaskets should never be reused.

WARNING: HOT WATER HAZARD
 When disassembling a gasketed joint, always use a new gasket upon reassembly. NEVER RE-USE OLD GASKETS. Failure to follow these instructions could result in serious personal injury, death and/or property damage.

WARNING: HOT WATER HAZARD
 Make sure that each flange gasket remains seated in the flange groove during and after installation. Failure to follow these instructions could result in serious personal injury, death and/or property damage.

Apply torque in even increments to all (4) flange bolts using a diagonal tightening pattern to a value of 96-132 in-lbs. (8-11 ft. lbs.). Both the suction and discharge flanges must be torqued in this manner.

WARNING: WATER LEAKAGE HAZARD
 To prevent leakage, make certain that the flange bolts have been adequately torqued. Failure to follow these instructions could result in serious personal injury and/or property damage.

*Teflon® is a registered trademark of E.I. DuPont de Nemours and Company.

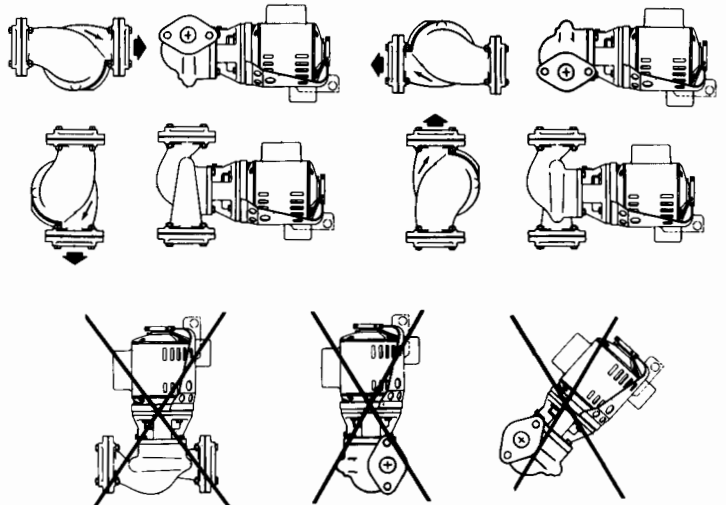
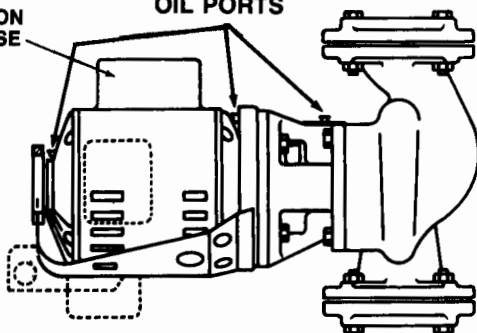
MODE OF DISCHARGE

Bell & Gossett Pumps can be installed to discharge up, down, left or right. The oiling ports must always be in the twelve o'clock position (on top) as shown below with the motor and bearing assembly always in a horizontal position as shown to the right. **THE ARROW ON THE PUMP BODY MUST POINT IN THE DIRECTION OF THE FLOW.** If it becomes necessary to change the mode of discharge, refer to B&G Instruction Manual HS-105-SM for specific instructions in removing the motor and bearing assembly from the pump body.

NOTE: The position of the conduit box is determined by the model of the motor used and must be positioned on the bottom or the side of the motor housing. As shown to the left.

CAPACITOR ON SINGLE PHASE ONLY

OIL PORTS



WIRING INSTRUCTIONS

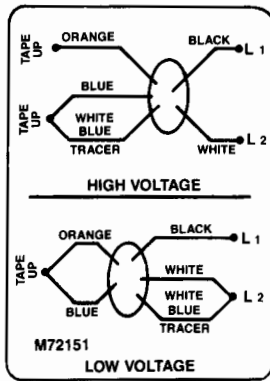
WARNING: ELECTRICAL SHOCK HAZARD
 Disconnect and lockout the power before making electrical connections. Failure to follow these instructions could result in serious personal injury or death.

Remove the screws securing the conduit box cover (wiring compartment) and lift off the cover. Attach the appropriate size connector to the hole in the side of the conduit box.

I. SINGLE PHASE MOTORS

Single phase dual voltage motors can operate at low voltage (115V) or high voltage (230V). Determine the voltage at which you choose to operate your B&G pump. Locate the wiring diagram inside the conduit box of the motor. Make the connections as per the diagram provided with the motor. Connect the ground wire to the ground screw inside the conduit box.

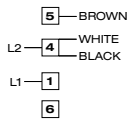
SLEEVE BEARING MOTORS



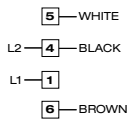
BALL BEARING MOTORS

FOR 1 HP, 1 PHASE MOTORS ONLY

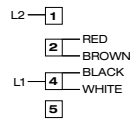
LOW VOLTAGE



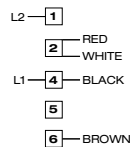
HIGH VOLTAGE



LOW VOLTAGE



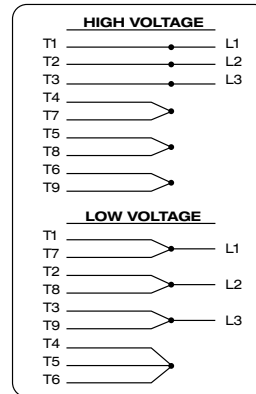
HIGH VOLTAGE



NOTE: Single phase motors are protected with inherent overheating devices and do not require external overload protection.

II. THREE PHASE MOTORS

Three phase motors can operate at either low voltage (208-230V) or at high voltage (460V). Determine the voltage you choose to operate your B&G pump. Wiring instructions for each option are listed below and are also found in the conduit box cover or on the motor nameplate.



Replace the conduit box cover and screws.

WARNING: ELECTRICAL SHOCK HAZARD
 Be certain that all connections are secure and the conduit box cover is closed before electrical power is connected. Failure to follow these instructions could result in serious personal injury, death and/or property damage.

OPERATIONAL INSTRUCTIONS

SYSTEM PREPARATION

Prior to pump start up, closed heating and cooling systems should be flushed with clean water and drained. The system should then be filled with clean water having a PH between 7 and 9.

LUBRICATION

Although all new B&G pumps are test run at the factory, they must be lubricated thoroughly before being placed in operation. Bell & Gossett supplies a high quality lubricant specifically for this purpose which can be purchased from any B&G Representative (Part No. L23401). Proper lubrication procedures are as follows:

- PUMP BEARINGS:** Fill the bearing frame according to the oiling instructions decal. At the time of installation or start of each heating season, add approximately 1 oz. of B&G #20 weight non-detergent oil. A SAE 20 (non-detergent) or 10W-30 oil may be substituted. More frequent lubrication may be required under adverse conditions such as high ambient temperatures.
- MOTOR BEARINGS:** Lubricate through the two motor oil ports according to lubrication decal once every four months (more often under adverse conditions). Use eight to ten drops in each oil cup. Does not apply to PD38 & PD40 pumps. These models use permanently lubricated ball bearing motors.

For non-Bell & Gossett Motors, lubrication should be in accordance with the motor manufacturer's instructions on the nameplate.

NOTE: Over-oiling can cause motor mount deterioration and may cause spillage onto surrounding surfaces. Deteriorated motor mounts will lead to misalignment and excessive coupler wear.

ROTATION

Pump rotation for the 2 1/2", LD3 and HD3 is counterclockwise when viewed from the back of the motor. Whereas the rotation is clockwise when views from the back of the motor for the PD35, PD37, PD38, and PD40 pumps. An arrow is provided to show the rotational direction.

PRIMING AND STARTING



CAUTION: SEAL DAMAGE HAZARD

Do not run the pump dry – seal damage may occur. Failure to follow these instructions could result in moderate personal injury and/or property damage.

Do not run B&G circulator pumps dry. Before starting, the pump must be filled with water. Air should be vented from the system by means of a system air vent at a high point in the system or by an alternate method. The system must be completely vented prior to pump operation.



WARNING: HOT WATER LEAKAGE HAZARD

Pressurize the pump body slowly while checking for leaks at all joints with gaskets. Failure to follow these instructions could result in serious personal injury and/or property damage.

The pump should be started with the discharge valve closed and the suction valve fully open. After the pump is at operating speed, the discharge valve should be opened gradually.

REPLACING THE SEAL

DISCONNECT THE ELECTRICAL SUPPLY



WARNING: ELECTRICAL SHOCK HAZARD

Disconnect and lockout the power before servicing. Failure to follow these instructions could result in serious personal injury or death.

The electrical supply must be turned off and the pump service valves must be closed before servicing procedures begin. If no service valves are installed, the city water supply valve should be closed.



WARNING: ELECTRICAL SHOCK HAZARD

Be certain the electrical power is not present at the motor leads before continuing. Failure to follow these instructions could result in serious personal injury or death.



WARNING: UNEXPECTED START-UP HAZARD

Disconnect and lockout power before servicing. Failure to follow these instructions could result in serious personal injury, death and/or property damage.

Loosen the conduit box cover screws and remove the cover. Follow this procedure with the removal of the wire nuts and flexible conduit connector.

REMOVE THE MOTOR AND BEARING ASSEMBLY



WARNING: HOT WATER HAZARD

Before draining the system, allow water to cool to 100°F max., open the drain valve (take precautions against water damage) and leave the drain valve open until servicing is complete. Failure to follow these instructions could result in serious personal injury, death and/or property damage.

The system should be drained by opening the boiler drain valve and the vent near the top of the system. If a Flo-Control valve is installed and there are balance valves on the returns, then the balance valves may be closed to isolate the boiler from the system. The Flo-Control valve will act as a check valve on the supply and only the boiler will need to be drained. Open a vent between the boiler and the system.



WARNING: HIGH PRESSURE HAZARD

Pressure may be present in the pump body. This pressure can be relieved by loosening the volute cap-screws and shifting the bearing assembly slightly to allow the pressurized water to escape. Failure to follow these instructions could result in serious personal injury or death.

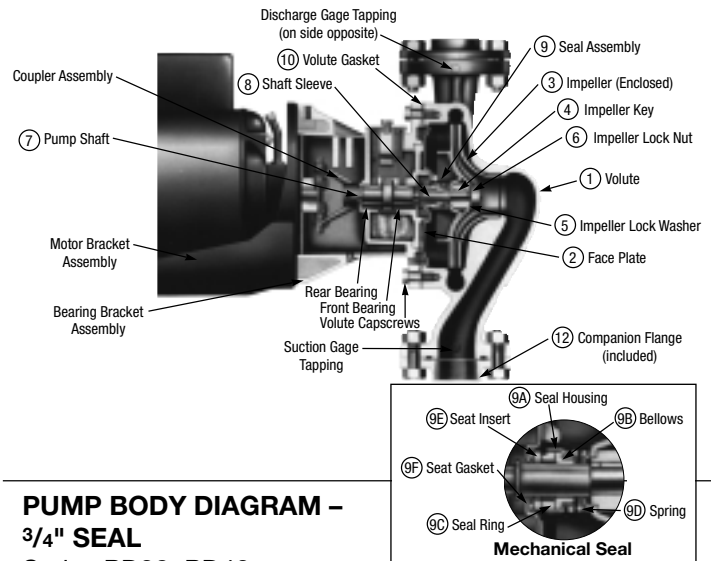
Separate the bearing assembly and motor from the pump body by removing the volute cap screws from the bearing bracket or cover plate (see diagrams at right).

DETERMINE THE SEAL TYPE

Cut away diagrams have been provided to illustrate the components of the booster bearing assemblies. The primary feature distinguishing the mechanical seals of the 2 1/2", LD3, HD3, PD35, and PD37 pumps from the PD38 and PD40 is the shape of the spring retainer which is seated between the spring and the impeller. Refer to the following diagrams whenever seal replacement becomes necessary.

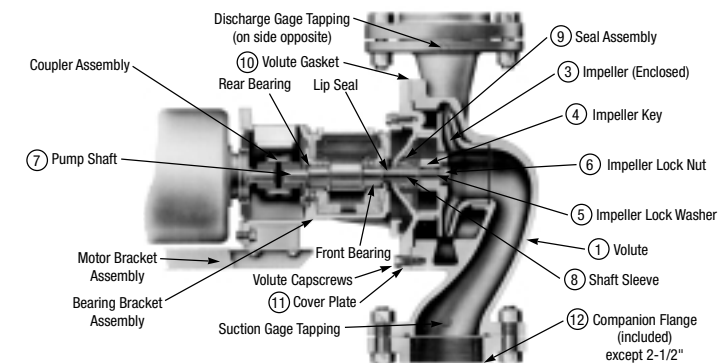
PUMP BODY DIAGRAM – 1/2" SEAL

Series 2 1/2", LD3, HD3, PD35, PD37



PUMP BODY DIAGRAM – 3/4" SEAL

Series PD38, PD40



REPLACEMENT PROCEDURE

With the bearing assembly and motor removed from the system, use the following instructions to facilitate the replacement.

1. Use a strap wrench or rag to prevent the impeller from turning with one hand and loosen the impeller nut with the other.
2. Lift the spring retainer and the seal spring from the shaft. Remove the compression ring from the seal collar by inserting a small screwdriver underneath the ring and carefully applying an upward prying force. Remove the ring, collar and the remaining seal components from the shaft.

NOTE: Bell & Gossett seal assemblies consist of an insert retainer, rubber gasket, ceramic insert, carbon seal ring, rubber collar, brass collar and compression ring, spring and spring retainer. Each of these components must be replaced when replacing the mechanical seal. NEVER REPLACE INDIVIDUAL COMPONENTS SEPARATELY.

3. Using a clean, lint free rag, remove any debris that may have accumulated in the seal recess.
4. Place the new retainer in the bearing assembly's seal recess. Seat the thin rubber gasket in the recess and set the ceramic insert atop the gasket. The ceramic has a top side and bottom side. The bottom is identifiable by its slightly recessed grooves. These grooves should face downward toward the rubber gasket.
5. Before proceeding, place the shaft end on a wooden block; the wooden block should push the shaft to its forward-most position (there should not be any end-play in the shaft).
6. Lubricate the rubber seal collar with soapy water. The entire *rotating* seal assembly, which includes the carbon seal ring, rubber collar, brass collar and compression ring, is to be pushed onto the shaft as one unit. Do not attempt

to assemble the seal by placing the components on the shaft individually. The notches in the brass collar should be aligned with the recesses found on each side of the carbon ring.

7. Press the brass compression ring tightly against the upper end of the rubber collar. A screwdriver can be used at several points along its periphery to provide a tight and even fit. Press with the screwdriver – do not tap. Tapping on the seal may break the ceramic or carbon insert.
8. With the shaft resting on the wooden block, place the seal spring and spring retainer on the shaft. Next, place the impeller and lock washer. Thread the impeller nut to the shaft and tighten to 96-144 in.-lbs. (8-12 ft. lbs.). Do not overtighten.



WARNING: HOT WATER HAZARD

Whenever the bearing assembly is removed from the piping, use a new gasket when re-installing. Failure to follow these instructions could result in serious personal injury and/or property damage.

9. Clean the pump body of excess debris. Place a new gasket in the recess of the pump body; ensure that it sits flush against the gasket surface.
10. Replace the motor and bearing assembly by inserting the impeller in the pump body and evenly tightening the cap-screws to 156 in.-lbs. (13 ft. lbs.) using a diagonal tightening pattern.
11. Refer to the WIRING INSTRUCTIONS section in this manual to properly configure all electrical connections.
12. Following the OPERATIONAL INSTRUCTIONS section in this manual to 1) check the PH of the system water, 2) to check the rotation of the pump, and 3) to prime the system prior to starting.

GENERAL INSTRUCTIONS

1. Keep the pump and motor properly lubricated.
2. If the system is to be exposed to freezing temperatures, drain the pump.

PERIODIC INSPECTION

Inspect the pump for leaking seals, worn gaskets, and looses or damaged components. Replace or repair as required.

DEALER SERVICING

If your pump requires further repair, contact your local B&G Representative. Having the following information at hand will facilitate your representative's ability to assist you:

1. Complete data from nameplate.
2. Suction and discharge pipe pressure gauge readings.
3. Ampere draw of the motor.
4. A sketch of the pumping system (includes pipes, valves, etc.)

ADDITIONAL PUMP REPAIR

Refer to the following manual for further repair instructions for the Bell & Gossett Pumps:

Coupler & Motor Mount Replacement #P06452
or #S15900 Rev. D
Booster Pump Service Manual #HS-105-SM, Rev. 3

YOUR BELL & GOSSETT REPRESENTATIVE IS...



Xylem Inc.
8200 N. Austin Avenue
Morton Grove, Illinois 60053
Phone: (847) 966-3700
Fax: (847) 965-8379
www.xylem.com/bellgossett