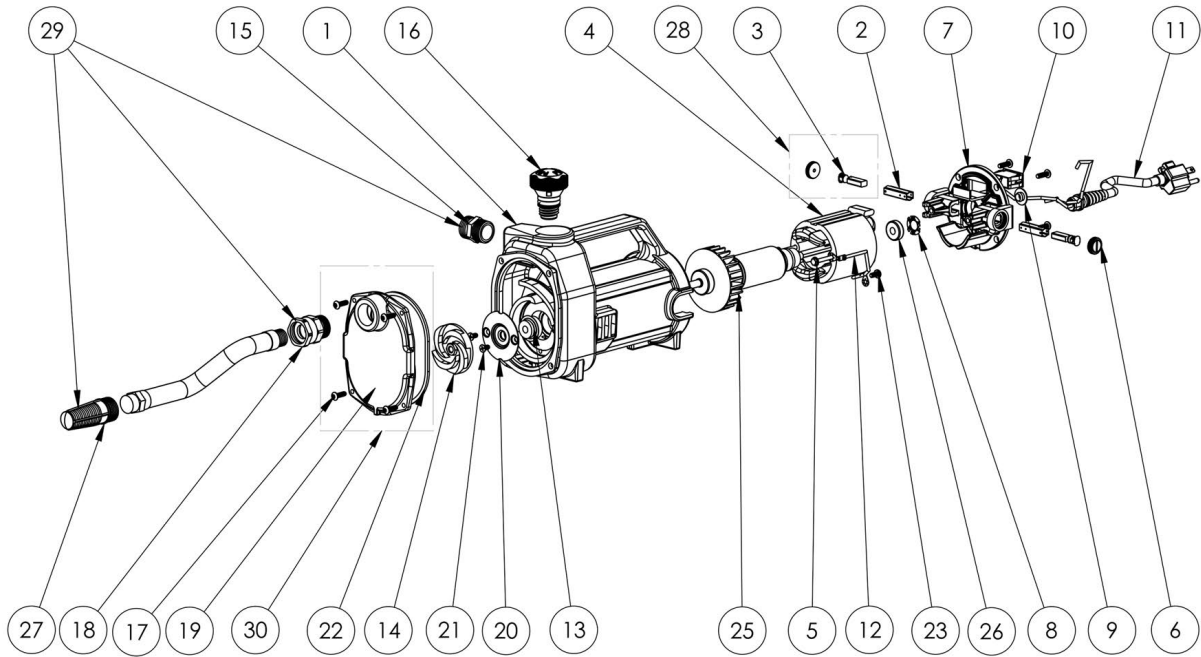


331 (B44)



## 331 (B44)

#	PART #	DESCRIPTION	QTY	Note
1	3310000	CASTING ALUMINUM	1	[1]
2	3365E00	BRUSH HOLDER BRASS	2	
3	3375000	BRUSH WITH SPRING	2	
4	3326E00	MOTOR	1	
5	3316000	DELTA PT SCREW PP50X80	2	
6	3370000	BRUSH CAP	2	
7	3315000	BACKPLATE	1	
8	3324000	SPRING WASHER	1	
9	3385000	SHAFT, PROTECTION CAP	1	[1]
10	3355000	ELECTRICAL SWITCH PANEL MOUNT	1	
11	3394000	POWER CORD WITH STRAIN RELIEF	1	
12	3393000	GROUND WIRE JUMPER	1	[1]
13	2309000	5/16 SHAFT SEAL	1	
14	K001023	IMPELLER KIT, INCLUDES SHAFT CAP, COVER SEAL AND COVER SCREWS	1	
15	8335000	MALE HOSE TO MALE NPT FITTING	1	
16	K001149	PRIME PLUG WITH O-RING	1	
17	8544000	SCREW, #10-24X5/8" PAN HEAD SS SCREW	8	[1]
18	8330000	SWIVEL, HOSE TO MALE NPT	1	
19	33400AR	CASTING FRONT PLATE	1	
20	3390000	SEAL PLATE STAINLESS STEEL	1	[1]
21	8542000	#10 FLAT HEAD STAINLESS STEEL SCREW	2	
22	3342000	SQUARE RING	1	[1]
23	8543000	#10 - 24 x 3/8 STAINLESS STEEL SCREW	1	[1]
25	3325E00	ARMATURE	1	
26	3322000	BALL BEARING, 8MM 22MM 7MM	1	
27	3335000	3/4" STRAINER, GREY	1	
28	K001021	BRUSH KIT, INCLUDES CAPS, SET OF 2	1	
29	K001025	FITTINGS PACKAGE	1	
30	K001173	FRONT PLATE, GASKET AND HARDWARE	1	
31	K001247	MASTER KIT (BRUSH KIT, IMPELLAR, FILL PLUG)	1	

**PART NOTES:**

[1] - Part requires factory authorized service. Contact Liberty Pumps at 1-800-543-2550