

Trusted. Tested. Tough.®

Product information presented here reflects conditions at time of publication. Consult factory regarding discrepancies or inconsistencies.



Zoeller Family of Water Solutions™

MAIL TO: P.O. BOX 16347 • Louisville, KY 40256-0347
SHIP TO: 3649 Cane Run Road • Louisville, KY 40211-1961
TEL: (502) 778-2731 • 1 (800) 928-PUMP • FAX: (502) 774-3624

FM3287
1220
Supersedes
New

Visit our web site:
zoeller.com

APak™ Outdoor High Water Alarm

ELECTRICAL SHOCK HAZARD.
DISCONNECT POWER BEFORE SERVICING

All electrical and safety codes must be followed including the National Electrical Code and all applicable local codes.

SPECIFICATIONS

This alarm unit monitors liquid levels in lift pump chambers, sump pump basins, holding tanks, and other non-potable water applications (See Figure A). APak™ Outdoor High Water Alarm features a green Power On LED, red alarm LEDs, an audible buzzer, one set of normally closed and normally open Auxiliary contacts, and a Silence/Reset/Test toggle switch. The APak™ Outdoor High Water Alarm can be wired to a 120 V, 60 Hz, electrical power source. This product is rated as NEMA 4X. To maintain rating, use only equivalent rated conduits and install in accordance with applicable standards. Tighten enclosure screws once a year, (recommended torque of 0.45 Nm or 4 in-lbs.) and perform any required maintenance to ensure protection. 15A household circuit breaker required.

ALARM UNIT INSTALLATION / WIRING

- 1) Drill openings on the bottom of the enclosure sufficient to accommodate the appropriate conduit adapter. Follow guidelines to ensure a water tight fit where applicable.
- 2) Install unit in desired location using mounting flanges on enclosure.
- 3) Remove the 4 cover screws to access the terminal contacts and the auxiliary contacts.
- 4) Wire line and neutral to terminal contacts 1 & 2 and connect earth ground to the ground lug located on metal backplate (See Figure B).
- 5) Wire mechanical float switch to terminal contacts 3 & 4 (See Figure B).
- 6) Terminal contacts 5, 6, 7 are provided as an optional wiring junction point for the pump. 115/230V, 20A max.
- 7) Auxiliary contacts may be used to control other alarm circuits and are rated for 115V, 60Hz, 5A resistive load.

Figure A

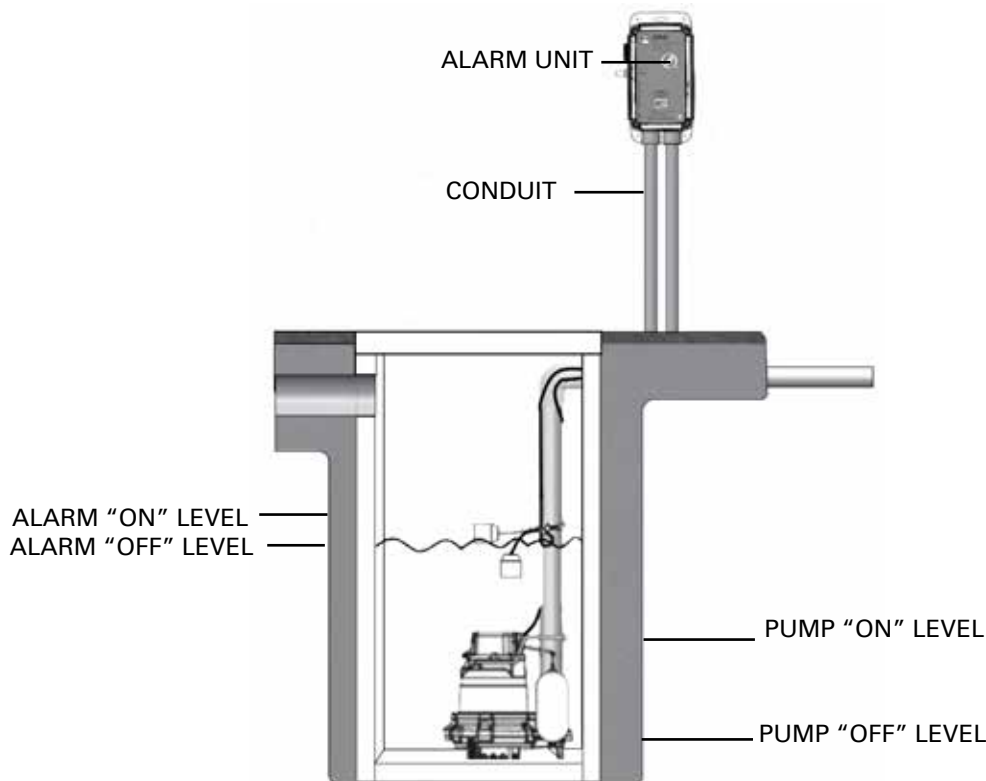
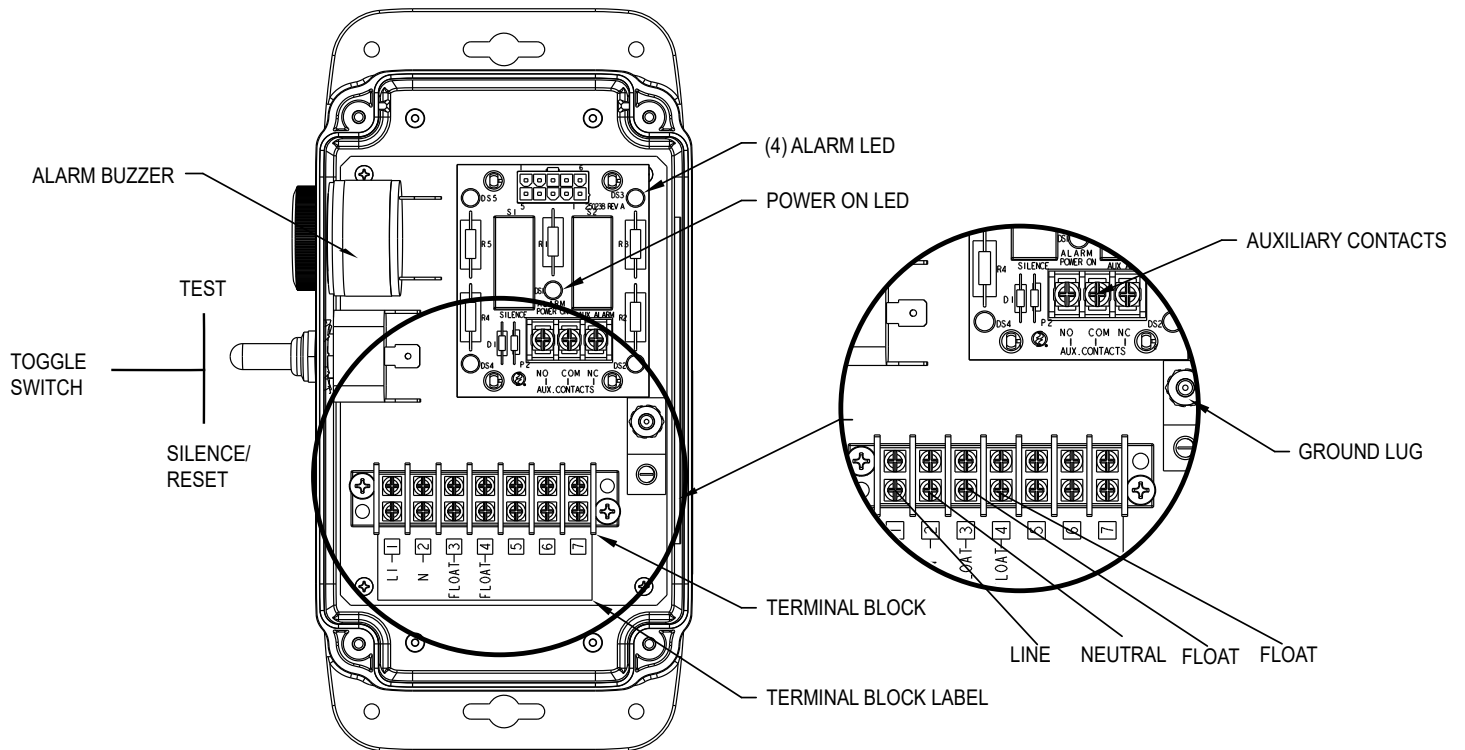


Figure B



CONTROL/MECHANICAL SWITCH WIRING

Connect the two conductors from the high water float switch to input terminals as described above for the alarm unit (see Figure B). The alarm switch operates on low voltage to reduce shock hazards. The auxiliary contacts may be used to control another alarm circuit away from the location of the APak™ Outdoor High Water Alarm system.

OPERATION AND TESTING

Check and test your installation by lifting the float manually. The alarm unit will indicate an alarm condition by buzzer chirping and lighting the red LEDs. The alarm may be silenced for 24 hours by briefly pressing the Silence toggle switch. Once silenced, the Red LEDs will remain on but the buzzer will not sound. Once the high-water condition is remedied, the alarm should be reset by holding the Silence toggle switch for 2 seconds. Hold the Silence toggle switch up to Test once per week to verify proper operation.

INSTALL MECHANICAL FLOAT SWITCH (011833)

- 1) Place cord into clamp and secure to discharge pipe as shown in clamp detail (see Figure C).
NOTE: Do not install the cord under the hose clamp.
- 2) Tighten the hose clamp with a screwdriver.
NOTE: Do not over tighten; over-tightening may cause damage to the plastic clamp.
- 3) Make sure the float cable is not allowed to touch the excess hose clamp band during operation.
- 4) The float switch must be suspended 7" (17.8 cm) below desired activation level (see Figure D).
- 5) Be certain that installation of float allows for unobstructed range of motion.

IN A LIFT PUMP

Install float switch at a level above where the pump will energize. If a pump failure causes high-level condition, the APak™ Outdoor High Water Alarm System will activate (see Figure A).

IN A HOLDING TANK

Suspend float switch into tank 7" (17.8 cm) below desired alarm level. APak™ Outdoor High Water Alarm System will activate if float ascends to alarm level (see Figure D).

CLAMP DETAIL

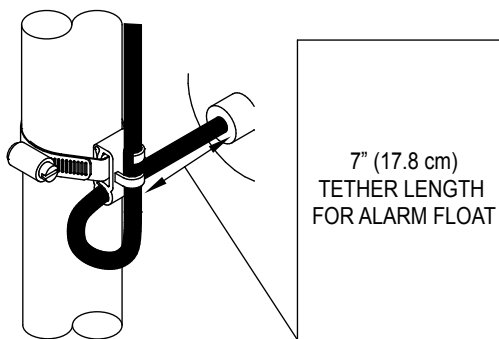


Figure C

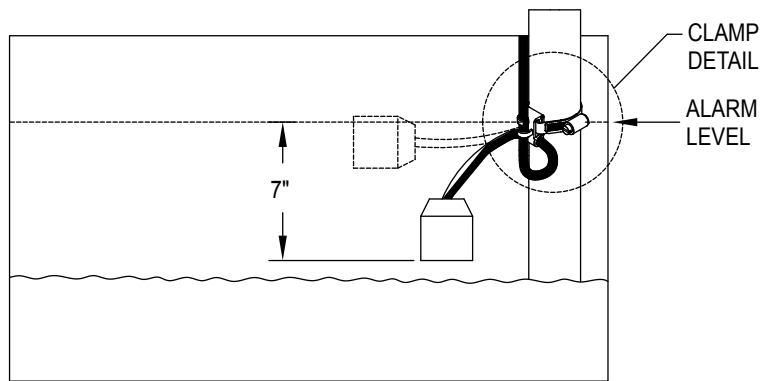
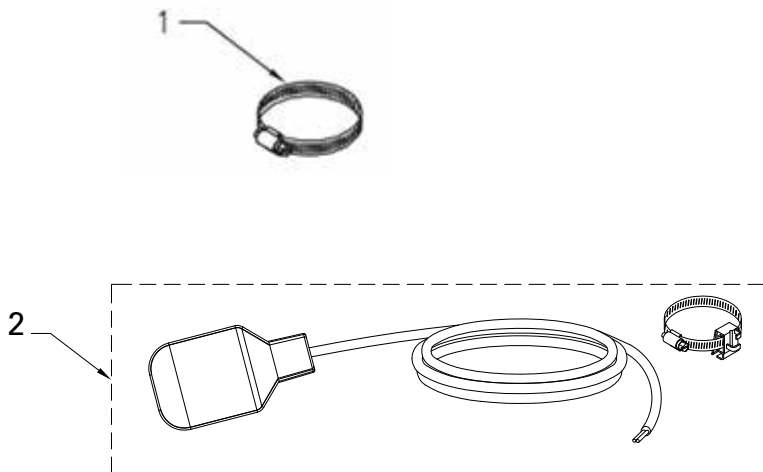


Figure D

		Model Number	91104-0001
Item	Description	Qty	Part #
1	Clamp, #36 worm-SS	1	001766
2	Switch, mechanical float	1	011833



Zoeller Company cannot be responsible for damages caused by faulty or negligent installation of this device. We respectfully suggest you engage the services of a qualified, licensed electrician or service person.

LIMITED WARRANTY

Manufacturer warrants, to the purchaser and subsequent owner during the warranty period, every new product to be free from defects in material and workmanship under normal use and service, when properly used and maintained, for a period of 5 years from date of purchase by the end user. Parts that fail within the warranty period, that inspections determine to be defective in material or workmanship, will be repaired, replaced or remanufactured at Manufacturer's option, provided however, that by so doing we will not be obligated to replace an entire assembly, the entire mechanism or the complete unit. No allowance will be made for shipping charges, damages, labor or other charges that may occur due to product failure, repair or replacement.

This warranty does not apply to and there shall be no warranty for any material or product that has been disassembled without prior approval of Manufacturer, subjected to misuse, misapplication, neglect, alteration, accident or uncontrollable act of nature; that has not been installed, operated or maintained in accordance with Manufacturer's installation instructions; that has been exposed to outside substances including but not limited to the following: sand, gravel, cement, mud, tar, hydrocarbons, hydrocarbon derivatives (oil, gasoline, solvents, etc.), or other abrasive or corrosive substances, wash towels or feminine sanitary products, etc. in all pumping applications. The warranty set out in the paragraph above is

in lieu of all other warranties expressed or implied; and we do not authorize any representative or other person to assume for us any other liability in connection with our products.

Contact Manufacturer at, 3649 Cane Run Road – Louisville, KY 40211-1961, Attention: Customer Support Department to obtain any needed repair or replacement of part(s) or additional information pertaining to our warranty.

MANUFACTURER EXPRESSLY DISCLAIMS LIABILITY FOR SPECIAL, CONSEQUENTIAL OR INCIDENTAL DAMAGES OR BREACH OF EXPRESSED OR IMPLIED WARRANTY; AND ANY IMPLIED WARRANTY OF FITNESS FOR A PARTICULAR PURPOSE AND OF MERCHANTABILITY SHALL BE LIMITED TO THE DURATION OF THE EXPRESSED WARRANTY.

Some states do not allow limitations on the duration of an implied warranty, so the above limitation may not apply to you. Some states do not allow the exclusion or limitation of incidental or consequential damages, so the above limitation or exclusion may not apply to you.

This warranty gives you specific legal rights and you may also have other rights which vary from state to state.



MAIL TO: P.O. BOX 16347 • Louisville, KY 40256-0347
SHIP TO: 3649 Cane Run Road • Louisville, KY 40211-1961
(502) 778-2731 • 1 (800) 928-PUMP • **FAX** (502) 774-3624
Trusted. Tested. Tough.®

Visit our web site:
zoeller.com