



TYPE "B" SINGLE STAGE CENTRIFUGAL PUMP SAE Engine Mount

Section	SAE
Page	170.1
Date	January 1, 2004
Supersedes 12/1/95	

CAST IRON IMPELLER

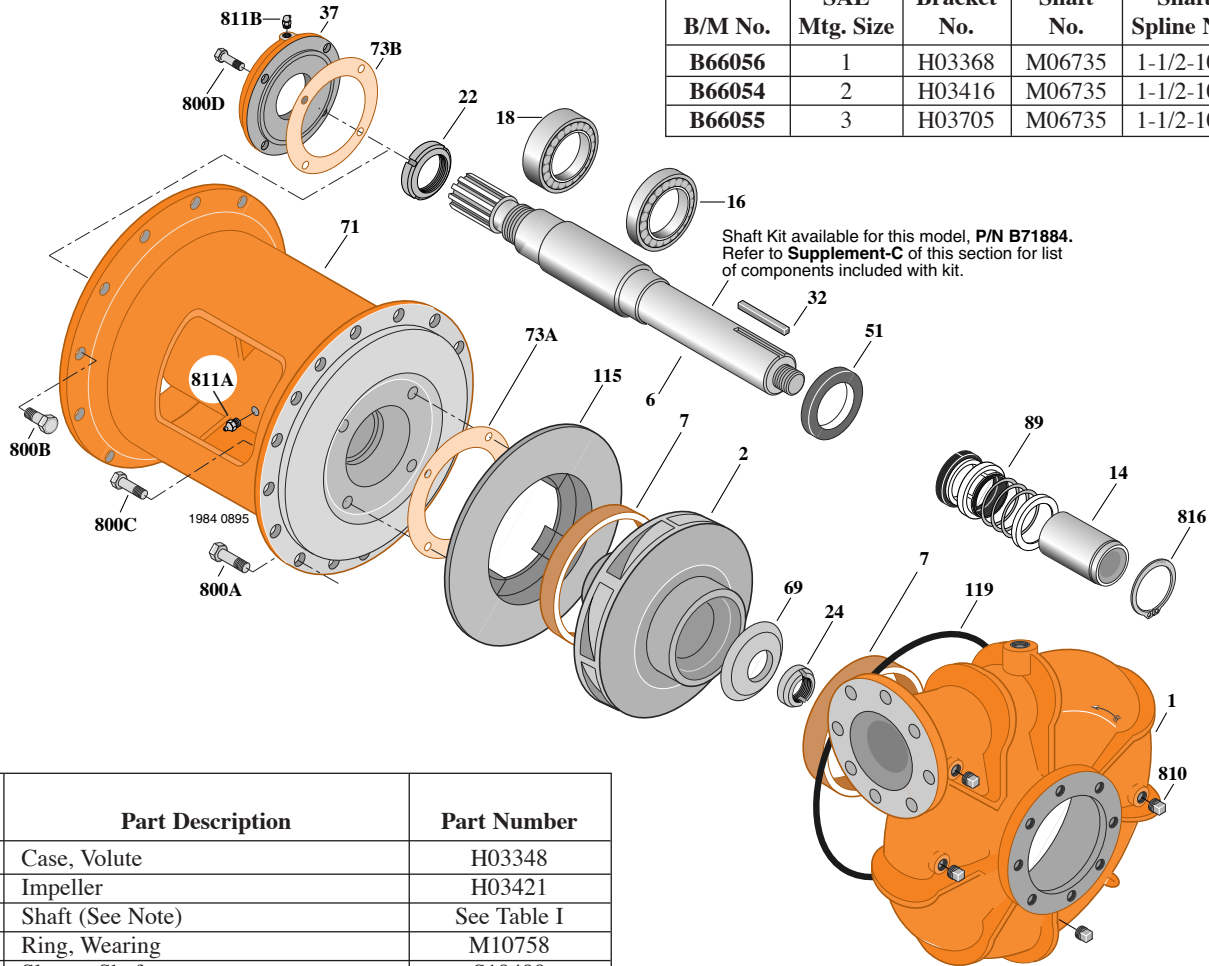
B5EXQBHS

Flanged Case

Mechanical Seal Construction

TABLE I

B/M No.	SAE Mtg. Size	Bracket No.	Shaft No.	Shaft Spline No.	Shaft Ext.
B66056	1	H03368	M06735	1-1/2-10T	3"
B66054	2	H03416	M06735	1-1/2-10T	3"
B66055	3	H03705	M06735	1-1/2-10T	3"



Item No.	Part Description	Part Number
1	Case, Volute	H03348
2	Impeller	H03421
6	Shaft (See Note)	See Table I
7	Ring, Wearing	M10758
14	Sleeve, Shaft	S19499
16	Bearing, Ball	S19502
18	Bearing, Ball	S18336
22	Nut, Bearing Lock	S19498
24	Nut, Impeller Lock	S09606
32	Key, 1/2 x 2"	S26545
37	Outer Bearing Cap	M06729
51	Seal, Oil	S19501
69	Washer, Impeller	S18720
71	Bracket	See Table I
73A	Gasket, Balance Ring	S09943
73B	Gasket	S19665
89	Seal, Mechanical Shaft	S30320
115	Ring, Balance	M06728
119	O-Ring	S14444
800A	Capscrew, 5/8-11x1-3/4" (16 Req.)	S27001

Item No.	Part Description	Part Number
800B	Capscrew, 7/16-14x1-1/2" (12 Req. - SAE 1)	S26874
800B	Capscrew, 3/8-16x1-1/4" (12 Req. - SAE 2, SAE 3)	S26828
800C	Capscrew, 3/8-16x1" (4 Req.)	S26826
800D	Capscrew, 3/8-16x7/8" (4 Req.)	S26825
810	Plug, Pipe 1/2 NPT (4 Req.)	S23717
811A	Fitting, Grease	S23670
811B	Fitting, Grease	S23702
816	Ring, Retaining	S17831
•	Fitting, Grease	S23670

• Not illustrated.