

## 40. MAGNA

### MAGNA1 plug-connected versions

#### Clamp

Pos.	Description/ kit No	98148760
92	Clamp with screw	1

#### Control box, unconfigured

##### Model A and C

Kit No	99363376	99364500
DN	Model	
25-	40 (6/10 bar)	40 (16 bar)
	60 (6/10 bar)	60 (16 bar)
	80 (6/10 bar)	80 (16 bar)
	100 (6/10 bar)	100 (16 bar)
	-	120 (16 bar)
32-	40 (6/10 bar)	40 (16 bar)
	60 (6/10 bar)	60 (16 bar)
	80 (6/10 bar)	80 (16 bar)
	-	100 (16 bar)
	-	100 (6/10 bar)
40-	-	120 (6/10 bar)
	-	40 (16 bar)
	-	60 (16 bar)
	-	40 (6/10 bar)
	-	60 (6/10 bar)

#### Control box, configured single-head pumps

##### Control box content - Model A

Pump type	Kit No	
	PN 6/10	PN 16
MAGNA1 25-40 (N)	99089445	99260997
MAGNA1 25-60 (N)	99089446	99260998
MAGNA1 25-80 (N)	99089447	99260999
MAGNA1 25-100 (N)	99089444	99261000
MAGNA1 25-120 (N)	99260996	99261001
MAGNA1 32-40 (F) (N)	99089448	99261013
MAGNA1 32-60 (N)	99089449	99261014
MAGNA1 32-80 (N)	99089450	99261015
MAGNA1 32-100 (N)	99261002	99261016
MAGNA1 32-120 (N)	99261039	99261040
MAGNA1 40-40 (N)	99261017	99261019
MAGNA1 40-60 (N)	99261018	99261020

#### Control box, configured twin-head pumps

##### PN 6/10, Model A

Pump type	Kit No	
	Head 1	Head 2
MAGNA1 D 32-40 (F)	99089451	
MAGNA1 D 32-60 (F)	99089452	
MAGNA1 D 32-80 (F)	99089453	
MAGNA1 D 32-100 (F)	99261021	99261022
MAGNA1 D 40-40 (F)	99261031	99261032
MAGNA1 D 40-60 (F)	99261033	99261034

#### Control box, configured twin-head pumps

##### Model A

##### PN 16

Pump type	Kit No	
	Head 1	Head 2
MAGNA1 D 32-40 (F)	99261023	99261024
MAGNA1 D 32-60 (F)	99261025	99261026
MAGNA1 D 32-80 (F)	99261027	99261028
MAGNA1 D 32-100 (F)	99261029	99261030
MAGNA1 D 40-40 (F)	99261035	99261036
MAGNA1 D 40-60 (F)	99261037	99261038

Pos.	Description	Quantity
163	Complete control box	1
163a	Screw	2
164	Control box cover	1
164a	Screw	5

#### Control box, configured single-head pumps

##### Control box content - Model C

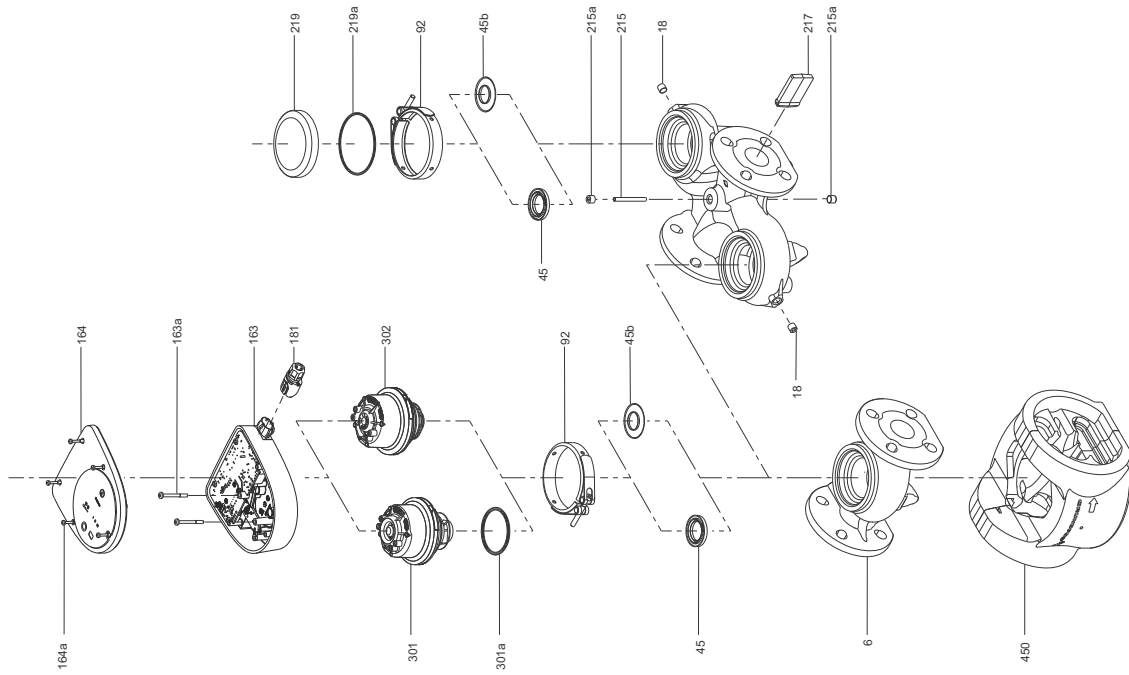
Pump type	Kit No	
	PN 6/10	PN 16
MAGNA1 25-40 (N)	99487535	99487536
MAGNA1 25-60 (N)	99487538	99487539
MAGNA1 25-80 (N)	99487541	99487542
MAGNA1 25-100 (N)	99487544	99487545
MAGNA1 25-120 (N)	99487547	99487548
MAGNA1 32-40 (F) (N)	99487550	99487551
MAGNA1 32-60 (N)	99487556	99487557
MAGNA1 32-80 (N)	99487562	99487563
MAGNA1 40-40 (N)	99487575	99487574
MAGNA1 40-60 (N)	99487578	99487577

#### Control box, configured twin-head pumps

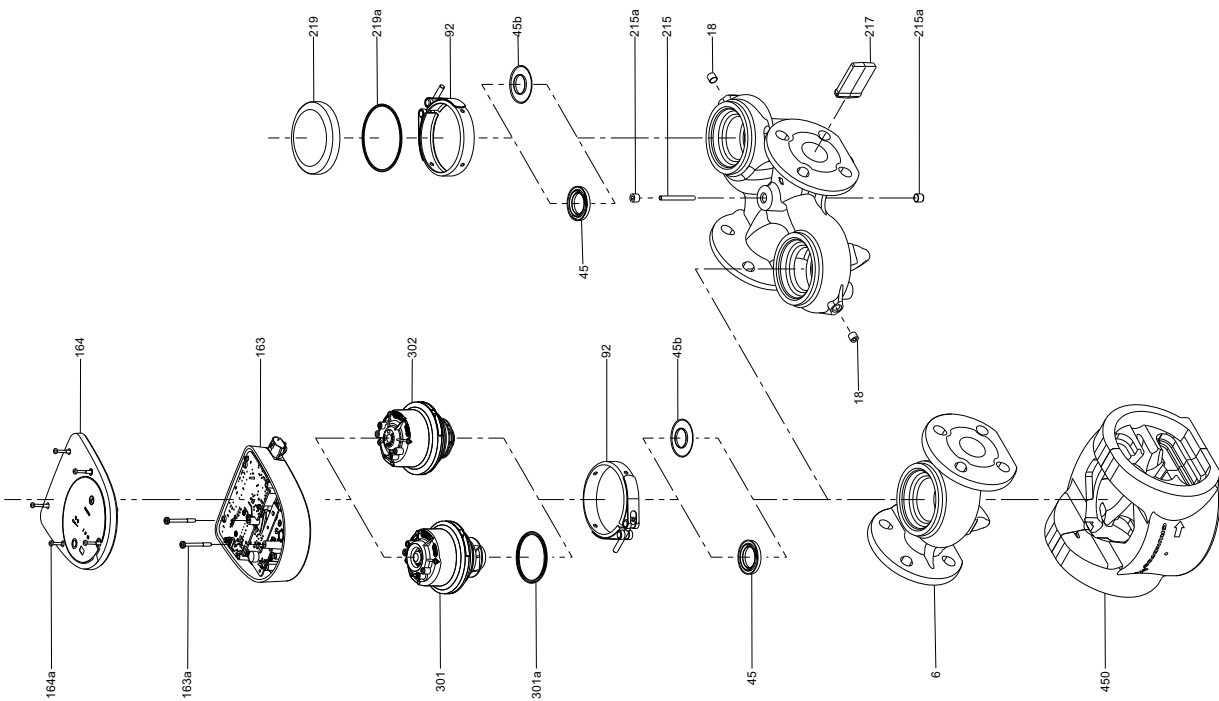
##### PN 6/10, Model C

Pump type	Kit No	
	Head 1	Head 2
MAGNA1 D 32-40 (F)	99487580	99487665
MAGNA1 D 32-60 (F)	99487584	99487669
MAGNA1 D 32-80 (F)	99487588	99487673
MAGNA1 D 32-100 (F)	99487592	99487677
MAGNA1 D 40-40 (F)	99487597	99487682
MAGNA1 D 40-60 (F)	99487599	99487684

**MAGNA1 plug-connected versions**  
**Model A**



**Model C**



TM05 5854 4312

TM07 1647 1019

**Control box, configured twin-head pumps****Model C****PN 16**

Pump type	Kit No	
	Head 1	Head 2
MAGNA1 D 32-40 (F)	99487581	99487666
MAGNA1 D 32-60 (F)	99487585	99487670
MAGNA1 D 32-80 (F)	99487589	99487674
MAGNA1 D 32-100 (F)	99487593	99487678
MAGNA1 D 40-40 (F)	99487596	99487681
MAGNA1 D 40-60 (F)	99487598	99487683

Pos.	Description	Quantity
163	Complete control box	1
163a	Screw	2
164	Control box cover	1
164a	Screw	5

**Control box cover**

Pos.	Description/ kit No/pcs	Model A	Model C
164	Control box cover	98988010	99364501

**O-ring**

Pos.	Description/ kit No	98357755
301a	O-ring	1

**Insulation shells**

Description	Kit No
DN25/DN32 180	98615808
DN32-100 F 220	98615809
DN40-60 F 220	98615810

**Plug**

Pos.	Description/ kit No	Model A	Model C
		98284561	99461932
181	Plug (ALPHA)	1	1
-	Green connector, angled		1
-	Green connector, angled		1

**Pump head**

Model A and C

Including shaft with impeller and rotor can

Pos.	Description	Kit No/pcs
	DN 25/32 (10 bar) (stainless rotor can)	98357751
	DN 25/32 (16 bar) (Composite rotor can)	98357752
	DN 40 (16 bar) (Composite rotor can)	98357753
92	Clamp	1
163a	Screw	2
301	Pump head	1

**Two-way flap**

Pos.	Description	Kit No/pcs
	DN 32	96407253
	DN 40	96407254
215	Pin	1
217	Rubber flap	1

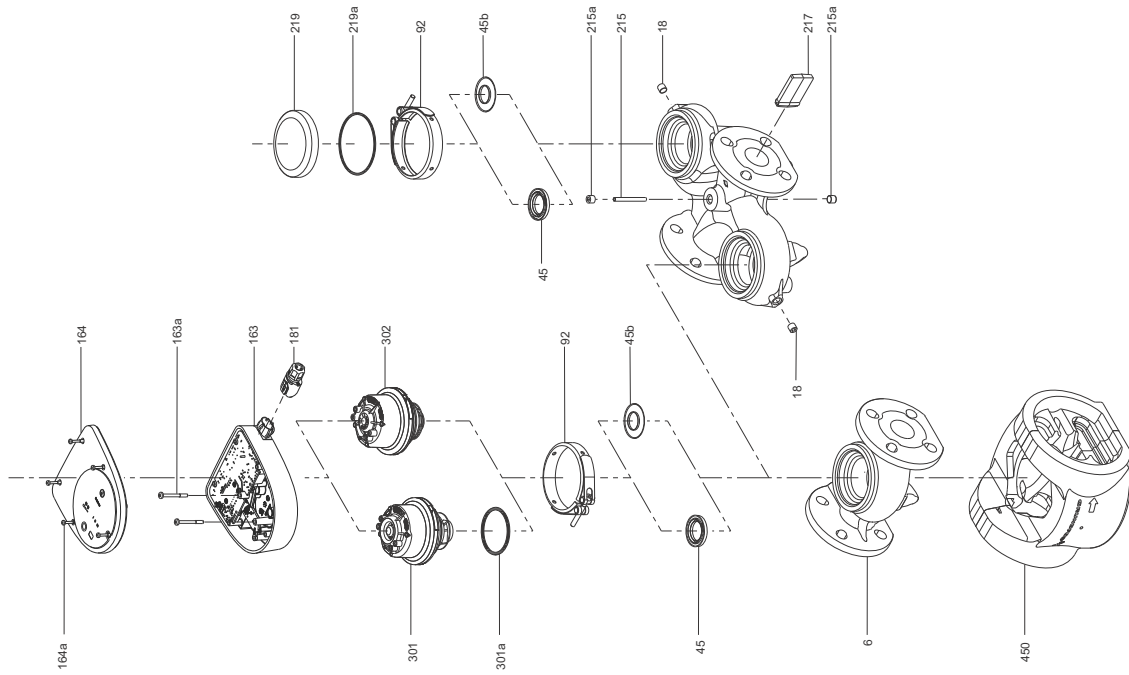
Pump housing

Model A and C

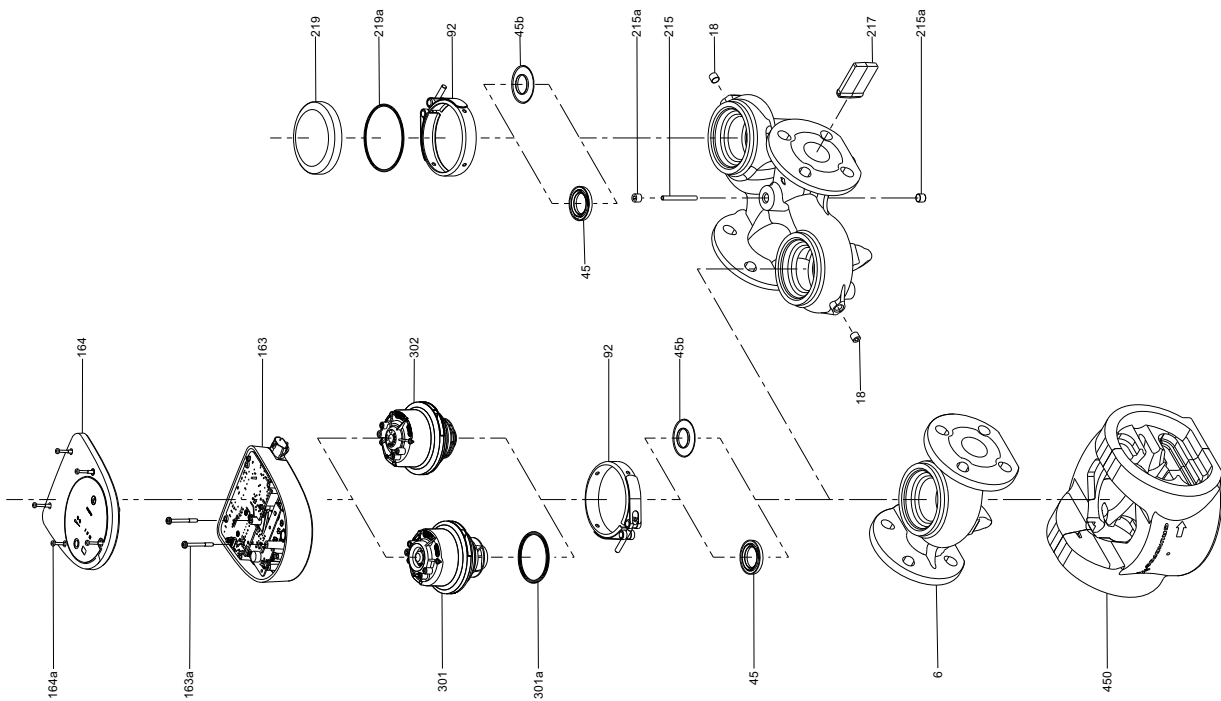
Pump DN size	Size			Kit no.
	PN6	PN10	PN16	
MAGNA1 DN32	•	•	•	98660054

Service pump housings are only available for flanged versions.

**MAGNA1 plug-connected versions**  
**Model A**



**Model C**



TM05 5654 4312

TM07 1647 1019

**NAMREG MAGNA1****Clamp**

Model B

Pos.	Description/ kit No	
92	Clamp with screw	<b>98700283</b>

**Control box, unconfigured**

Model B

Pos.	Description/ kit No	<b>98463319</b>
163	Control box complete	1
163a	Screw	2
164	Control box cover	1
164a	Screw	5

**Control box, configured single-head pumps**

Pump type	Kit No
MAGNA1 32-60	<b>99072283</b>
MAGNA1 32-100	<b>99072284</b>

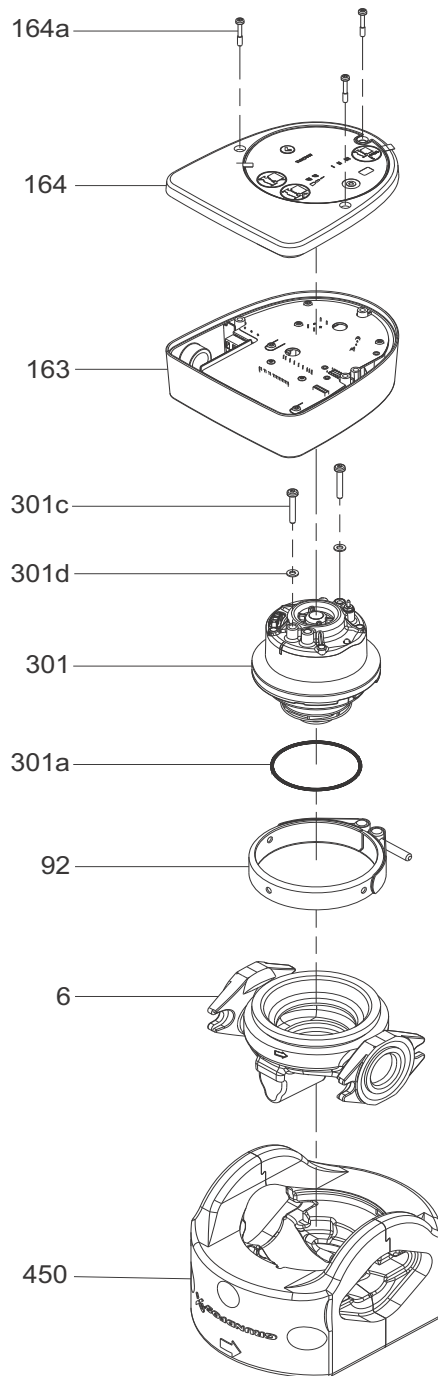
**Insulation shells**

Description	Kit No
DN32-xx	<b>98827412</b>

**O-ring**

Pos.	Description/ kit No	<b>98700281</b>
301a	O-ring	1

**NAMREG MAGNA1**  
**Model B**



TM07 5563 4519

## MAGNA1 terminal-connected versions

### Clamp

Pos.	Description/ kit No	98148759
92	Clamp with screw	1

### Control box, unconfigured

Model A, B and C

Pos.	Description Kit No	750W	1600W
		99280445	98280446
163	Control box complete	1	1
163a	Screw	2	2
163d	Screw	1	1
164	Control box cover	1	1
301b	Protector (EMC)	1	1

### Control box, configured single-head pumps

Model A and B

Pump type	Kit No	
	PN 6/10	PN 16
MAGNA1 32-120 F (N)	99090662	99090695
MAGNA1 40-80 F (N)	99090661	99090696
MAGNA1 40-100 (N)	99090693	99090698
MAGNA1 40-120 (N)	99090697	99090703
MAGNA1 40-150 (N)	99090704	99090715
MAGNA1 40-180 (N)	99090712	99090729
MAGNA1 50-40 F (N)	99090694	99090699
MAGNA1 50-60 (N)	99090700	99090706
MAGNA1 50-80 F (N)	99090702	99090711
MAGNA1 50-100 (N)	99090705	99090716
MAGNA1 50-120 F	99090708	99090723
MAGNA1 50-150 F	99090719	99090738
MAGNA1 50-180 F	99090739	99090752
MAGNA1 65-40 F	99090701	99090709
MAGNA1 65-60 F	99090707	99090720
MAGNA1 65-80 F	99090713	99090730
MAGNA1 65-100 (N)	99090717	99090735
MAGNA1 65-120 (N)	99090726	99090743

Pump type	Kit No		
	PN 6	PN 6/10	PN 16
MAGNA1 80-40 F	99090710	99090714	99090725
MAGNA1 80-60 (N)	99090718	99090724	99090737
MAGNA1 80-80 F (N)	99090728	99090734	99090746
MAGNA1 80-100 F	99426917	99426921	99426971
MAGNA1 80-120 F	99426918	99426922	99426972
MAGNA1 100-40 F (N)	99090727	99090733	99090745
MAGNA1 100-60 (N)	99090736	99090742	99090751
MAGNA1 100-80 F	99426933	99426938	99426975
MAGNA1 100-100 F	99426934	99426939	99426976
MAGNA1 100-120 F	99426935	99426940	99427004

### Control box, configured single-head pumps

Model C

Pump type	Kit No	
	PN 6/10	PN 16
MAGNA1 40-80 F (N)	99426871	99426952
MAGNA1 40-100 (N)	99426872	99426953
MAGNA1 40-120 (N)	99426883	99426954
MAGNA1 40-150 (N)	99426884	99426955
MAGNA1 40-180 (N)	99426885	99426956
MAGNA1 50-60 (N)	99426891	99426957
MAGNA1 50-80 F (N)	99426892	99426958
MAGNA1 50-100 (N)	99426893	99426959
MAGNA1 50-120 F	99426894	99426960

Pump type	Kit No	
	PN 6/10	PN 16
MAGNA1 50-150 F	99426895	99426961
MAGNA1 50-180 F	99426896	99426962
MAGNA1 65-40 F	99426903	99426963
MAGNA1 65-60 F	99426904	99426964
MAGNA1 65-80 F	99426905	99426965
MAGNA1 65-100 (N)	99426906	99426966
MAGNA1 65-120 (N)	99426907	99426967
MAGNA1 65-150 (N)	99426908	99426968

Pump type	Kit No		
	PN 6	PN 6/10	PN 16
MAGNA1 80-60 (N)	99426915	99426919	99426969
MAGNA1 80-80 F (N)	99426916	99426920	99426970
MAGNA1 80-100 F	99426917	99426921	99426971
MAGNA1 80-120 F	99426918	99426922	99426972
MAGNA1 100-40 F (N)	99426931	99426936	99426973
MAGNA1 100-60 (N)	99426932	99426937	99426974
MAGNA1 100-80 F	99426933	99426938	99426975
MAGNA1 100-100 F	99426934	99426939	99426976
MAGNA1 100-120 F	99426935	99426940	99427004

### Control box cover

Pos.	Description/ kit No	Model A, B	Model C
		98148728	99280465
164	Control box cover	1	1
164a	Screw	5	5

### O-ring

Model A, B and C

Pos.	Description/ kit No	98148761
301a	O-ring	1

### Control box, configured twin-head pumps

Model A,B

PN 6/10

Pump type	Kit No	
	Model A,B	
	Head I and head II	
MAGNA1 D 32-120 F (N)	99090722	
MAGNA1 D 40-80 F (N)	99090721	
MAGNA1 D 40-100 (N)	99090731	
MAGNA1 D 40-120 (N)	99090747	
MAGNA1 D 40-150 (N)	99090756	
MAGNA1 D 40-180 (N)	99090764	
MAGNA1 D 50-40 F (N)	99090732	
MAGNA1 D 50-60 (N)	99090750	
MAGNA1 D 50-80 F (N)	99090754	
MAGNA1 D 50-100 (N)	99090757	
MAGNA1 D 50-120 F	99090760	
MAGNA1 D 50-150 F	99090771	
MAGNA1 D 50-180 F	99090787	
MAGNA1 D 65-40 F	99090753	
MAGNA1 D 65-60 F	99090759	
MAGNA1 D 65-80 F	99090765	
MAGNA1 D 65-100 F (N)	99090769	
MAGNA1 D 65-120 F (N)	99090776	
MAGNA1 D 65-150 F (N)	99426914	

**Control box, configured twin-head pumps****Model A,B**

PN16

Pump type	Kit No	
	Model A,B	
	Head I	Head II
MAGNA1 D 32-120 F (N)	99090741	
MAGNA1 D 40-80 F (N)	99090740	
MAGNA1 D 40-100 (N)	99090748	
MAGNA1 D 40-120 (N)	99090755	
MAGNA1 D 40-150 (N)	99090767	
MAGNA1 D 40-180 (N)	99090779	
MAGNA1 D 50-40 F (N)	99090749	
MAGNA1 D 50-60 (N)	99090758	
MAGNA1 D 50-80 F (N)	99090763	
MAGNA1 D 50-100 (N)	99090768	
MAGNA1 D 50-120 F	99090773	
MAGNA1 D 50-150 F	99090786	
MAGNA1 D 50-180 F	99090793	
MAGNA1 D 65-40 F	99090761	
MAGNA1 D 65-60 F	99090772	
MAGNA1 D 65-80 F	99090780	
MAGNA1 D 65-100 (N)	99090783	
MAGNA1 D 65-120 (N)	99090789	
MAGNA1 D 65-150 (N)	-	

**Control box, configured twin-head pumps****Model C**

PN6/10

Pump type	Kit No	
	Model C	
	Head I	Head II
MAGNA1 D 40-80 F (N)	99426886	99427011
MAGNA1 D 40-100 (N)	99426887	99427012
MAGNA1 D 40-120 (N)	99426888	99427013
MAGNA1 D 40-150 (N)	99426889	99427014
MAGNA1 D 40-180 (N)	99426890	99427015
MAGNA1 D 50-40 F (N)	99427005	99427073
MAGNA1 D 50-60 (N)	99426897	99427016
MAGNA1 D 50-80 F (N)	99426898	99427017
MAGNA1 D 50-100 (N)	99426899	99427018
MAGNA1 D 50-120 F	99426900	99427019
MAGNA1 D 50-150 F	99426901	99427020
MAGNA1 D 50-180 F	99426902	99427021
MAGNA1 D 65-40 F	99426909	99427022
MAGNA1 D 65-60 F	99426910	99427023
MAGNA1 D 65-80 F	99426911	99427024
MAGNA1 D 65-100 (N)	99426912	99427025
MAGNA1 D 65-120 (N)	99426913	99427026
MAGNA1 D 65-150 (N)	99426914	99427027

**Control box, configured twin-head pumps****Model C**

PN16

Pump type	Kit No	
	Model C	
	Head I	Head II
MAGNA1 D 40-80 F (N)	99426978	99427047
MAGNA1 D 40-100 (N)	99426979	99427048
MAGNA1 D 40-120 (N)	99426980	99427049
MAGNA1 D 40-150 (N)	99426981	99427050
MAGNA1 D 40-180 (N)	99426982	99427051
MAGNA1 D 50-40 F (N)	99427008	99427076
MAGNA1 D 50-60 (N)	99426983	99427052
MAGNA1 D 50-80 F (N)	99426984	99427053
MAGNA1 D 50-100 (N)	99426985	99427054
MAGNA1 D 50-120 F	99426986	99427055
MAGNA1 D 50-150 F	99426987	99427056
MAGNA1 D 50-180 F	99426988	99427057
MAGNA1 D 65-40 F	99426989	99427058
MAGNA1 D 65-60 F	99426990	99427059
MAGNA1 D 65-80 F	99426991	99427060
MAGNA1 D 65-100 (N)	99426992	99427061
MAGNA1 D 65-120 (N)	99426993	99427062
MAGNA1 D 65-150 (N)	99426994	99427063

**Control box, configured twin-head pumps****Model C**

PN6

Pump type	Kit No	
	Model C	
	Head I	Head II
MAGNA1 D 80-40 F (N)	99427006	99427074
MAGNA1 D 80-60 (N)	99426923	99427028
MAGNA1 D 80-80 F (N)	99426924	99427029
MAGNA1 D 80-100 (N)	99426925	99427030
MAGNA1 D 80-120 F	99426926	99427031
MAGNA1 D 100-40 F	99426941	99427036
MAGNA1 D 100-60 F	99426942	99427037
MAGNA1 D 100-80 F	99426943	99427038
MAGNA1 D 100-100 (N)	99426944	99427039
MAGNA1 D 100-120 (N)	99426945	99427040

**Control box, configured twin-head pumps****Model C**

PN10

Pump type	Kit No	
	Model C	
	Head I	Head II
MAGNA1 D 80-40 F (N)	99427007	99427075
MAGNA1 D 80-60 (N)	99426927	99427032
MAGNA1 D 80-80 F (N)	99426928	99427033
MAGNA1 D 80-100 (N)	99426929	99427034
MAGNA1 D 80-120 F	99426930	99427035
MAGNA1 D 100-40 F	99426946	99427041
MAGNA1 D 100-60 F	99426947	99427042
MAGNA1 D 100-80 F	99426948	99427043
MAGNA1 D 100-100 (N)	99426949	99427044
MAGNA1 D 100-120 (N)	99426950	99427045

**Control box, configured twin-head pumps****Model C**

PN16

Pump type	Kit No	
	Model C	
	Head I	Head II
MAGNA1 D 80-40 F (N)	99427009	99427077
MAGNA1 D 80-60 (N)	99426995	99427064
MAGNA1 D 80-80 F (N)	99426996	99427065
MAGNA1 D 80-100 (N)	99426997	99427066
MAGNA1 D 80-120 F	99426998	99427067
MAGNA1 D 100-40 F	99426999	99427072
MAGNA1 D 100-60 F	99427000	99427068
MAGNA1 D 100-80 F	99427001	99427069
MAGNA1 D 100-100 (N)	99427002	99427070
MAGNA1 D 100-120 (N)	99427003	99427071

**Pump head**

Including shaft with impeller and rotor can

Pos.	Description	Kit No/pcs
	Model	A, B and C
	DN 32-120	98148737
	DN 40-80/100	98148739
	DN 40-120/150/180	98148741
	DN 50-40/60/80	98148743
	DN 50-100	98980689
	DN 50-120	98148745
	DN 50-150/180	98148747
	DN 65-40/60	98148749
	DN 65-80/100/120	98148751
	DN 65-150	98148753
	DN 80-40/60	98148755
	DN 80-80/100/120	98148757
	DN 100-40/60	98148755
	DN 100-80/100/120	98148757
92	Clamp	1
163a	Screw	2
163d	Screw	1
301	Pump head	1
301a	O-ring	1
301b	Gasket (EMC protection)	1

**Two-way flap**

Model A, B and C

Pos.	Description	Kit No/pcs
	DN 32	96407253
	DN 40	96407254
	DN 50	96407255
	DN 65	96407256
	DN 80	96407257
	DN 100	96407258
215	Pin	1
217	Rubber flap	1

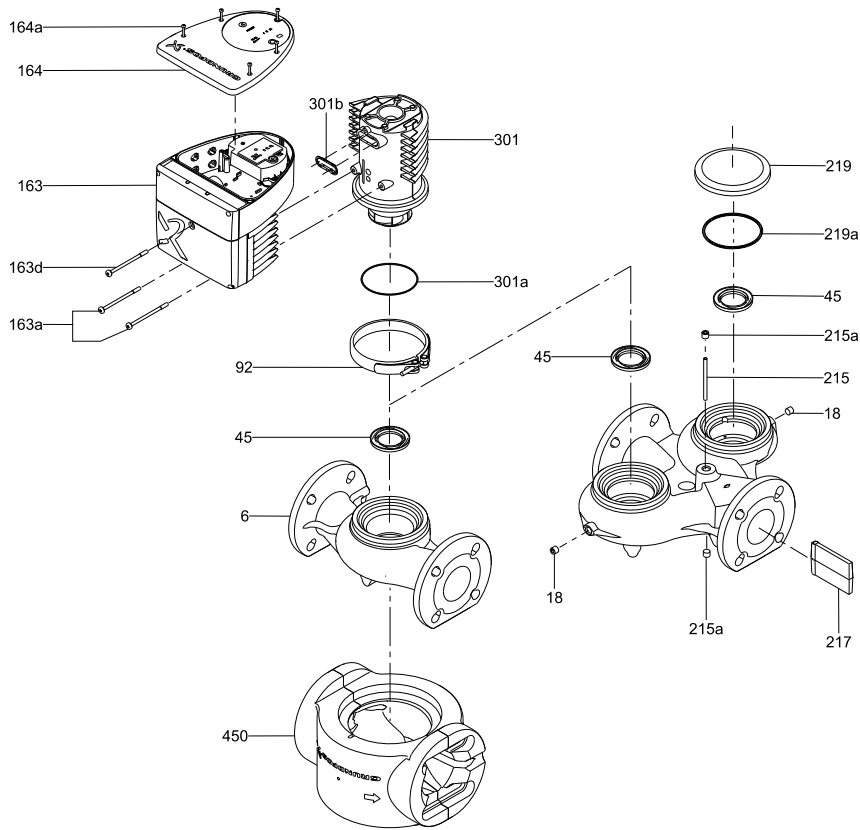
**Pump housing\***

Model A, B and C

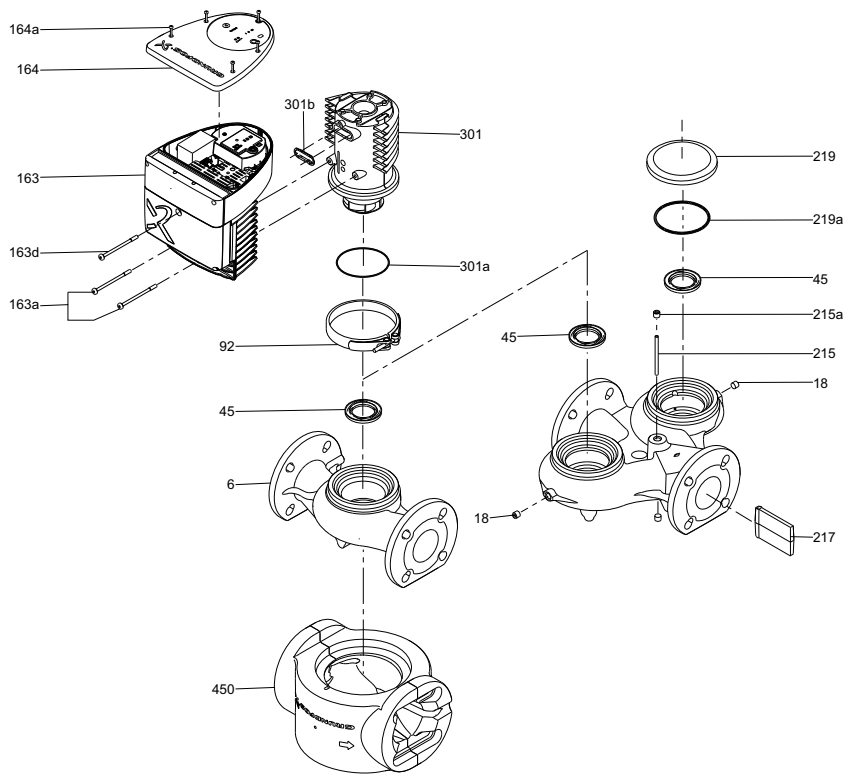
Pump DN size	Size			Kit no.
	PN6	PN10	PN16	
MAGNA1 DN32	•	•	•	98660054
MAGNA1 DN40	•	•	•	98660055
MAGNA1 DN50	•	•	•	98660056
MAGNA1 DN65	•	•	•	98660057
MAGNA1 DN80	•			98660058
MAGNA1 DN80		•	•	98660059
MAGNA1 DN100	•			98660060
MAGNA1 DN100		•	•	98660061
MAGNA1 D DN32	•	•	•	98660070
MAGNA1 D DN40	•	•	•	98660071
MAGNA1 D DN50	•	•	•	98660072
MAGNA1 D DN65	•	•	•	98660073
MAGNA1 D DN80	•			98660074
MAGNA1 D DN80		•	•	98660075
MAGNA1 D DN100	•			98660076
MAGNA1 D DN100		•	•	98660077

\*) Pump houses for DN 40, port to port length 220 mm and DN 50, port to port length 240 mm are not available.

**MAGNA1 terminal-connected versions  
Model A, B**



**Model C**



TM05 4005 1812

TM07 1648 4818

## NAMREG MAGNA1 terminal-connected versions

### Additional kits

Description	Kit No/pcs
Terminal connector plug kit	98529570
Gasket GF 15/40 kit	98721416
Cable gland kit	98578414

### Clamp

Pos.	Description/ kit No	98700282
92	Clamp with screw	1

### Control box, unconfigured

#### Model B

Pos.	Description Kit No	650W	750W	1600W
		98463325	98463323	98463321
163	Control box complete	1	1	1
163a	Screw	2	2	2
163d	Screw	1	1	1
301b	Protector (EMC)	1	1	1

### Control box, configured single-head pumps

#### Model B

Pump type	Kit No
MAGNA1 40-80 115V	99072289
MAGNA1 40-80 230V	99072290
MAGNA1 40-120 115V	99072285
MAGNA1 40-120 230V	99072286
MAGNA1 40-180 115V	99072287
MAGNA1 40-180 230V	99072288
MAGNA1 50-80 115V	99072293
MAGNA1 50-80 230V	99072294
MAGNA1 50-150 115V	99072291
MAGNA1 50-150 230V	99072292
MAGNA1 65-120 115V	99072295
MAGNA1 65-120 230V	99072296
MAGNA1 65-150 230V	99072297
MAGNA1 80-100 230V	99072298
MAGNA1 100-120 230V	99072299
MAGNA1 32-60 230V	99072284
MAGNA1 32-100 230V	99072283
MAGNA1 40-80 115V	99072289
MAGNA1 40-80 230V	99072290
MAGNA1 40-120 115V	99072285
MAGNA1 40-120 230V	99072286
MAGNA1 40-180 115V	99072287
MAGNA1 40-180 230V	99072288
MAGNA1 50-80 115V	99072293
MAGNA1 50-80 230V	99072294
MAGNA1 50-150 115V	99072291
MAGNA1 50-150 230V	99072292
MAGNA1 65-120 115V	99072295
MAGNA1 65-120 230V	99072296
MAGNA1 65-150 230V	99072297
MAGNA1 80-100 230V	99072298
MAGNA1 100-120 230V	99072299

### Insulation shells

Description	Kit No
DN40-xx	98827415
DN50-xx	98827416
DN65-xx	98827417
DN80-xx	98827418
DN100-120	98827419

### O-ring

Pos.	Description/ kit No	98148761
301a	O-ring	1

### Pump head

#### Model B

Including shaft with impeller and rotor can

Pos.	Description	Kit No/pcs
	MAGNA1 65-120 GF 340 115V	98460156
	MAGNA1 40-80 GF 216 115V	98460169
	MAGNA1 40-120 GF 216 115V	98460167
	MAGNA1 50-80 GF 240 115V	98460163
	MAGNA1 50-150 GF 280 115V	98460160
	MAGNA1 40-80 GF 216 230V	98460171
	MAGNA1 40-120 GF 216 230V	98460164
	MAGNA1 50-150 GF 280 230V	98460172
	MAGNA1 65-120 GF 340 230V	98460155
	MAGNA1 65-150 GF 340 230V	98460153
	MAGNA1 80-100 GF 360 230V	98460152
92	Clamp	1
163a	Screw	2
163d	Screw	1
301	Pump head	1
301a	O-ring	1

### Pump housing

#### Model B

Pump DN size	Size	Kit no.
MAGNA1 GF40	Psi 150	98660086
MAGNA1 GF65	Psi 150	98660087
MAGNA1 GF100	Psi 150	98660088
MAGNA1 D GF100	Psi 150	98660092



**MAGNA3 plug-connected versions****Clamp**

Pos.	Description /kit No	98148760
92	Clamp with screw	1

**Control box, unconfigured**

Pos.	Description/ kit No	98148726
-	Control box complete incl. sensor and cable	1
163e	Locking pin	1

**Control box, configured single-head pumps****Model A, B, C and D**

Pump type	Kit No	
	Model A,B and C	Model D
MAGNA3 25-40 (N) PN10	99091429	99331450
MAGNA3 25-40 (N) PN16	99091430	99331507
MAGNA3 25-60 (N) PN10	99091431	99331523
MAGNA3 25-60 (N) PN16	99091454	99331532
MAGNA3 25-80 (N) PN10	99091453	99331526
MAGNA3 25-80 (N) PN16	99091459	99331599
MAGNA3 25-100 (N) PN10	99091457	99331595
MAGNA3 25-100 (N) PN16	99091464	99331632
MAGNA3 25-120 (N) PN10	99091462	99331629
MAGNA3 25-120 (N) PN16	99091469	99331650
MAGNA3 32-40 (F) (N) PN10	99091432	99331525
MAGNA3 32-40 (F) (N) PN16	99091456	99331660
MAGNA3 32-60 (F) (N) PN10	99091455	99331547
MAGNA3 32-60 (F) PN16	99091461	99331624
MAGNA3 32-80 (F) (N) PN10	99091458	99331617
MAGNA3 32-80 (F) (N) PN16	99091465	99331644
MAGNA3 32-100 (F) (N) PN10	99091460	99331615
MAGNA3 32-100 (F) (N) PN16	99091468	99331648
MAGNA3 32-120 (N) PN10	99091466	99332321
MAGNA3 32-120 PN16	99091471	99332347
MAGNA3 40-40 F (N) PN10	99091463	99331631
MAGNA3 40-40 F PN16	99091470	99331596
MAGNA3 40-60 F (N) PN10	99091467	99331647
MAGNA3 40-60 F PN16	99091472	99331660

Pos.	Description	
162	Control box , upper part	1
163	Control box. lower part	1
531	Sensor	1
531a	Seal cap	1
159	Cable	1
164	Control box cover	1
163f	Screw	2
164a	Screw	3

**Control box, configured twin-head pumps****Model A**

Pump type	Kit No	
	Model A,B and C	
	Head I	Head II
MAGNA3 D 32-40 (F) PN10	99091473	99805568
MAGNA3 D 32-40 (F) PN16	99091475	99805569
MAGNA3 D 32-60 (F) PN10	99091474	99805570
MAGNA3 D 32-60 (F) PN16	99091479	99805571
MAGNA3 D 32-80 (F) PN10	99091476	99805572
MAGNA3 D 32-80 (F) PN16	99091481	99805593
MAGNA3 D 32-100 (F) PN10	99091478	99805594
MAGNA3 D 32-100 (F) PN16	99091483	99805595
MAGNA3 D 32-100 F PN6/10	99091478	99805602
MAGNA3 D 32-100 F PN16	99091483	99805603
MAGNA3 D 32-120 F PN6/10	99092742	99805604
MAGNA3 D 32-120 F PN16	99092762	99805605
MAGNA3 D 40-40 F PN6/10	99091480	99805606
MAGNA3 D 40-40 F PN16	99091484	99805607

**Control box, configured twin-head pumps****Model D**

Pump type	Kit No	
	Model D	
	Head I	Head II
MAGNA3 D 32-40 PN10	99331660	99332174
MAGNA3 D 32-40 PN16	99331675	99332178
MAGNA3 D 32-60 PN10	99331673	99332176
MAGNA3 D 32-60 PN16	99331682	99332277
MAGNA3 D 32-80 PN10	99331678	99332180
MAGNA3 D 32-80 PN16	99332124	99332281
MAGNA3 D 32-100 PN10	99331680	99332197
MAGNA3 D 32-100 PN16	99332126	99332284
MAGNA3 D 32-120 F PN6/10	99332483	99334279
MAGNA3 D 32-120 F PN16	99333708	99334307
MAGNA3 D 40-40 F PN6/10	99331685	99332279
MAGNA3 D 40-40 F PN16	99332127	99332286

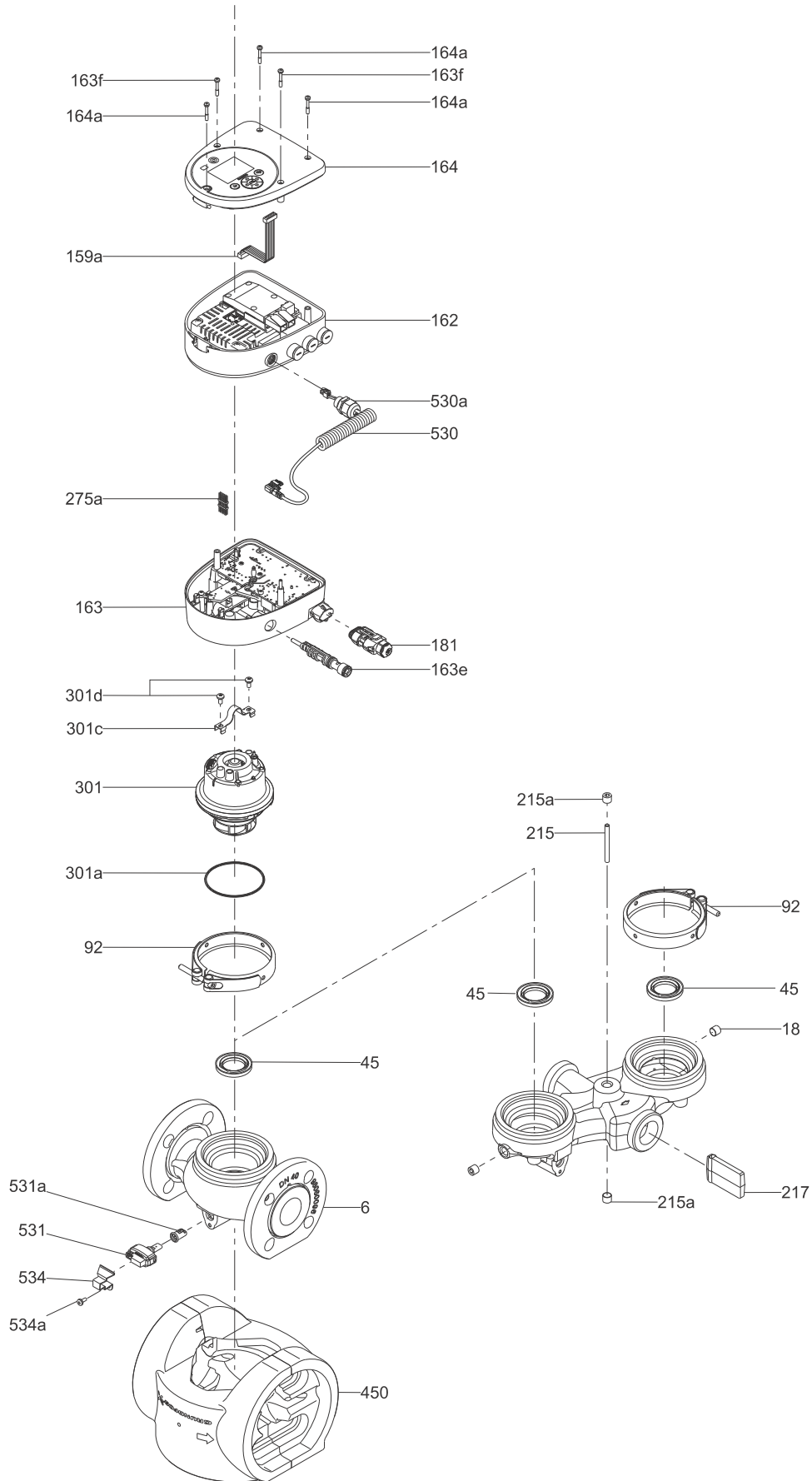
**Display board**

Pos.	Description/ kit No	98148734
-	Display board	1

**Kit, cover w. display board (model B, C and D)**

Pos.	Description/ kit No	99032834
<b>164</b>	<b>Cover</b>	
-	Display board	
163f	Screw	2
164a	Screw	3

MAGNA3 plug-connected versions



TM07 4131 0519

**Insulation shells**

Description	Kit No
DN25/DN32 180	98615808
DN32-100 F 220	98615809
DN40-60 F220	98615810
DN32 220	98159366
DN40 220/250	98159368

**O-ring**

Pos.	Description/ kit No	98357755
301a	O-ring	1

**Plug**

Pos.	Description/kit No	98284561
181	Plug (ALPHA)	1

**Connector plug**

Pos.	Description/ kit No	98357861
-	3-Pole connector plug angled	2
-	3-pole connector plug up-right	1
-	4-pole connector plug angled w/wire	1

**Pump housing****Model A, B, C and D**

Pump DN size	Size			Kit no.
	PN6	PN10	PN16	
MAGNA3 DN32	•	•	•	98660062

Service pump housings are only available for flanged versions.

**Pump head**

All models

Including shaft with impeller and rotor can

Pos.	Description	Kit No/pcs
	DN 25-32	98419522
	DN 40-40/60	98357754
92	Clamp	1
301	Pump head	1
301a	O-ring	1
301c	Leaf spring	1
301d	Screw	2

**Sealing cap**

Pos.	Description	Kit No	Bulk No (10 pcs)
531a	Sealing cap	98613455	98708139

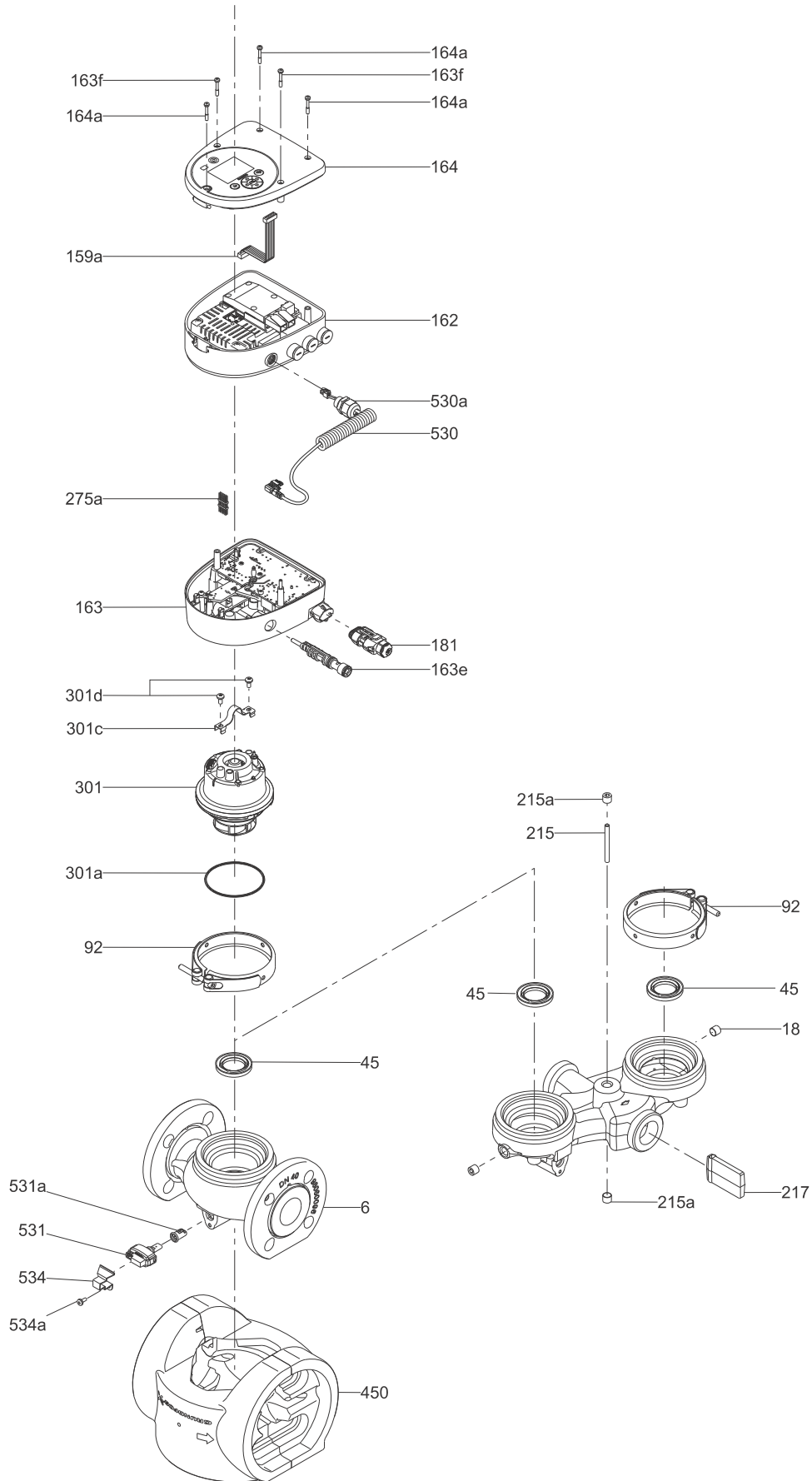
**Sensor with cable**

Pos.	Description/ kit No	1 pcs	Bulk (10 pcs,)
		99313067	99313072
530	Cable	1	10
530a	Cable gland	1	10
531	Sensor	1	10
531a	Sealing cap	1	10
534	Bracket	1	10
534a	Screw	1	10

**Two-way flap**

Pos.	Description	Kit No/pcs
	DN 32	96407253
	DN 40	96407254
215	Pin	1
217	Rubber flap	1

MAGNA3 plug-connected versions



TM07 4131 0519

**NAMREG MAGNA3 w. conduit box**

Model A and D

**Clamp**

Pos.	Description /kit No	98700283
92	Clamp with screw	1

**Configured control box complete**

Pump type	Kit No	
	Model A and D	
MAGNA3 32-60	99610484	
MAGNA3 32-100	99610462	

Pos.	Description/ kit No	
-	Control box	1
301b	EMC protector	1
-	Nameplate (to be filled out)	1
531	Sensor cable w. sensor	1
-	Pen	1
163e	Locking pin	1

**O-ring**

Pos.	Description/ kit No	98700281
301a	O-ring	1

**Pump head**

Pos.	Description	Kit No/pcs
	DN 25-32	98460815
92	Clamp	1
301	Pump head	1
301a	O-ring	1
301c	Leaf spring	1
301d	Screw	2

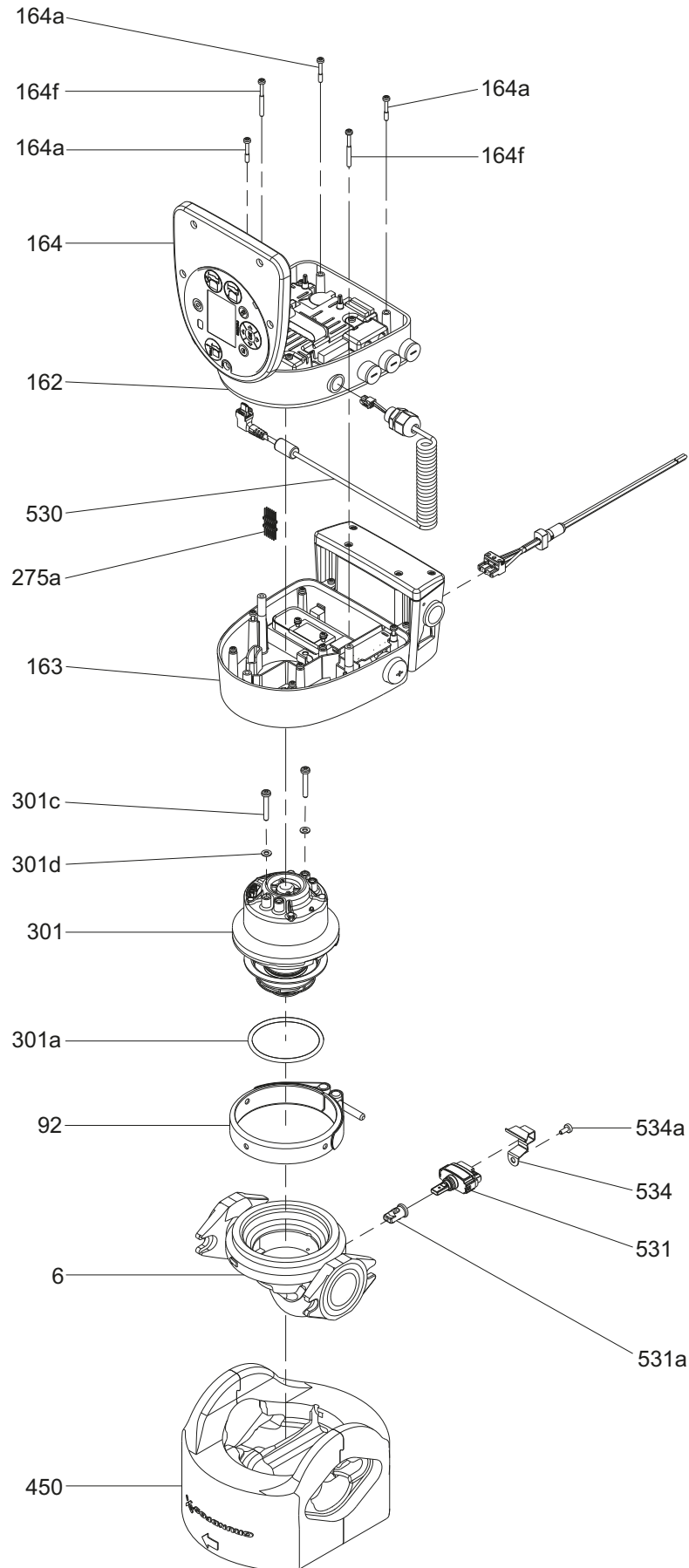
**Sealing cap**

Pos.	Description	Kit No	Bulk No (10 pcs)
531a	Sealing cap	98613455	98708139

**Sensor with cable**

Pos.	Description/ kit No	1 pcs		Bulk (10 pcs,)	
		99313067	99313072		
530	Cable	1	10		
530a	Cable gland	1	10		
531	Sensor	1	10		
531a	Sealing cap	1	10		
534	Bracket	1	10		
534a	Screw	1	10		

MAGNA3 plug-connected versions, NAMREG



NAMREG MAGNA3 w. conduit box MAGNA

TM07 5563 4619

## MAGNA3 terminal-connected versions

### Clamp

Pos.	Description/ kit No	98148759
92	Clamp with screw	1

### Connector plug

Pos.	Description/ kit No	98357861
-	3-Pole connector plug angled	2
-	3-pole connector plug up-right	1
-	4-pole connector plug angled w/wire	1

### Control box, unconfigured

Pos.	Description/ kit No	750W	1600W
		98859585	88595869
-	Control box	1	1
163a	Screw	2	2
163d	Screw	1	1
301b	Protector (EMC)	1	1

### Control box, configured single-head pumps

Pump type	Kit No	
	Model A,B,C	Model D
MAGNA3 40-80 F (N) PN6/10	99092713	99332331
MAGNA3 40-80 F PN16	99092716	99332346
MAGNA3 40-100 (N) PN6/10	99092714	99332332
MAGNA3 40-100 F PN 16	99092718	99332350
MAGNA3 40-120 (N) PN6/10	99092717	99332348
MAGNA3 40-120 F PN 16	99092723	99332391
MAGNA3 40-150 (N) PN6/10	99092724	99332392
MAGNA3 40-150 F PN 16	99092735	99332463
MAGNA3 40-180 (N) PN6/10	99092732	99332458
MAGNA3 40-180 F PN 16	99092749	99333668
MAGNA3 50-40 F (N) PN6/10	99092715	99332343
MAGNA3 50-40 F PN16	99092719	99332358
MAGNA3 50-60 (N) PN6/10	99092720	99332360
MAGNA3 50-60 F PN 16	99092726	99332435
MAGNA3 50-80 F (N) PN6/10	99092722	99332389
MAGNA3 50-80 F PN16	99092731	99332453
MAGNA3 50-100 (N) PN6/10	99092725	99332433
MAGNA3 50-100 F PN 16	99092736	99332465
MAGNA3 50-120 (N) PN6/10	99092728	99332438
MAGNA3 50-120 F PN 16	99092743	99332484
MAGNA3 50-150 (N) PN6/10	99092739	99332472
MAGNA3 50-150 F PN 16	99092759	99333703
MAGNA3 50-180 (N) PN6/10	99092760	99333704
MAGNA3 50-180 F PN 16	99092772	99333759
MAGNA3 65-40 F (N) PN6/10	99092721	99332386
MAGNA3 65-40 F PN16	99092729	99332441
MAGNA3 65-60 (N) PN6/10	99092727	99332437
MAGNA3 65-60 F PN 16	99092740	99332478
MAGNA3 65-80 F (N) PN6/10	99092733	99332460
MAGNA3 65-80 F PN16	99092750	99333669
MAGNA3 65-100 (N) PN6/10	99092737	99332467
MAGNA3 65-100 F PN 16	99092756	99333689
MAGNA3 65-120 (N) PN6/10	99092746	99333498
MAGNA3 65-120 F PN 16	99092764	99333710
MAGNA3 65-150 (N) PN6/10	99092574	99334811
MAGNA3 65-150 F PN 16	99092582	99334833
MAGNA3 80-40 F (N) PN6	99092730	99332442
MAGNA3 80-40 F (N) PN10	99092734	99332462

Pump type	Kit No	
	Model A,B,C	Model D
MAGNA3 80-40 F PN16	99092745	99333486
MAGNA3 80-60 (N) PN6	99092738	99332469
MAGNA3 80-60 (N) PN10	99092744	99333497
MAGNA3 80-60 F PN 16	99092758	99333692
MAGNA3 80-80 F (N) PN6	99092748	99333664
MAGNA3 80-80 F (N) PN10	99092754	99333686
MAGNA3 80-80 F PN16	99092766	99333718
MAGNA3 80-100 F PN6	99092573	99334810
MAGNA3 80-100 F PN10	99092575	99334823
MAGNA3 80-100 F PN16	99092579	99334829
MAGNA3 80-120 F PN6	99092577	99334826
MAGNA3 80-120 F PN10	99092581	99334832
MAGNA3 80-120 F PN16	99092585	99334839
MAGNA3 100-40 F (N) PN6	99092747	99333561
MAGNA3 100-40 F (N) PN10	99092753	99333685
MAGNA3 100-40 F PN16	99092765	99333713
MAGNA3 100-60 (N) PN6	99092757	99333690
MAGNA3 100-60 (N) PN10	99092763	99333708
MAGNA3 100-60 F PN 16	99092771	99333728
MAGNA3 100-80 F PN6	99092576	99334825
MAGNA3 100-80 F PN10	99092578	99334828
MAGNA3 100-80 F PN16	99092584	99334837
MAGNA3 100-100 F PN6	99092580	99334831
MAGNA3 100-100 F PN10	99092583	99334835
MAGNA3 100-100 F PN16	99092587	99334847
MAGNA3 100-120 F PN6	99092586	99334844
MAGNA3 100-120 F PN10	99092588	99334852
MAGNA3 100-120 F PN16	99092589	99334864

Pos.	Description/ kit No	98148727
164	Control box cover	1
164a	Screw	5

### Display board (model A only)

Pos.	Description/ kit No	98148734
-	Display board	1

### Kit, cover w. display board (model B, C and D)

Pos.	Description/ kit No	99338995
164	Cover	
-	Display board	
163f	Screw	2
164a	Screw	3

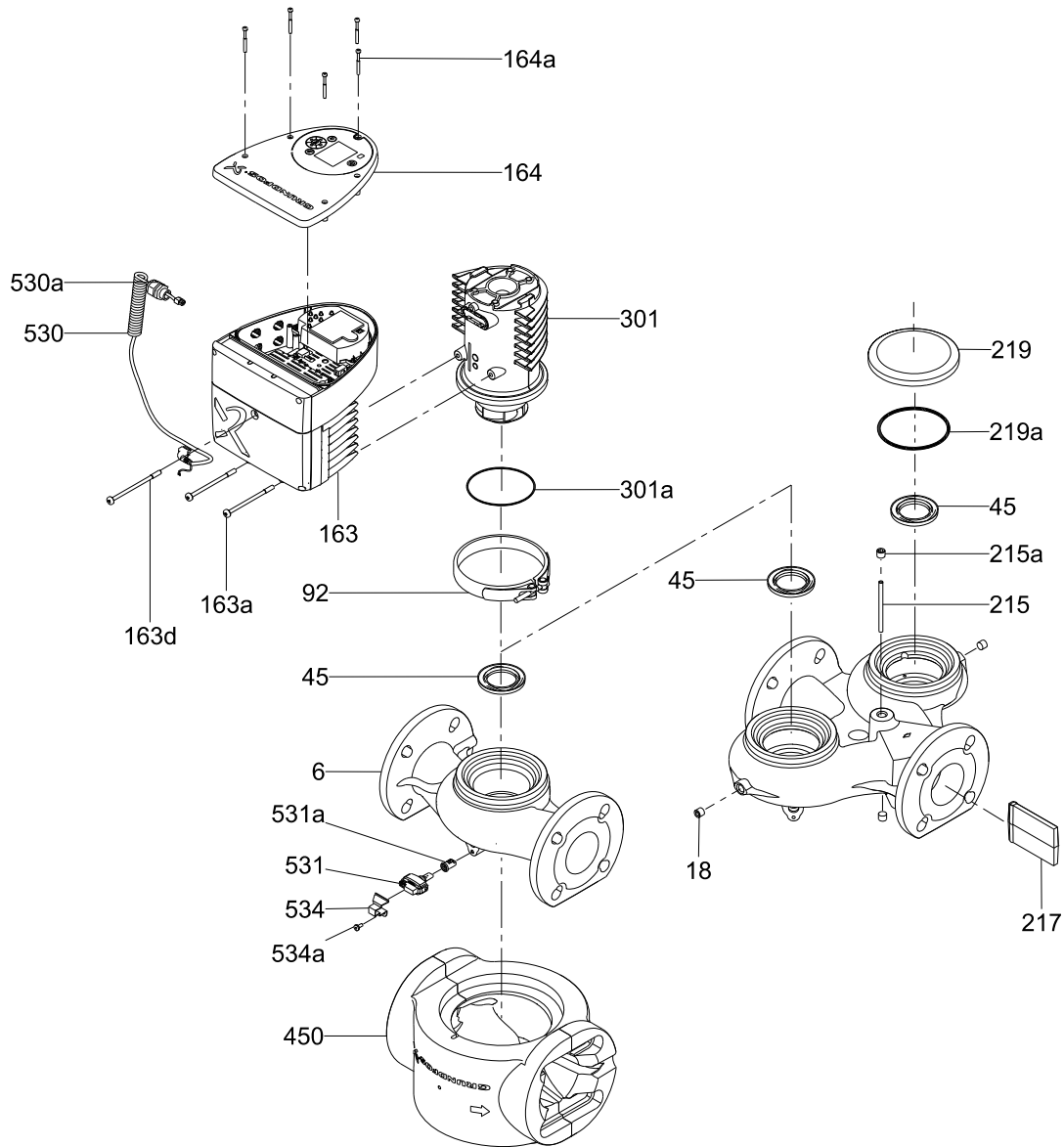
### Insulation shells

Description	Kit No
DN32 220	98159366
DN40 220/280	98159368
DN50 240/280	98159367
DN65 340	98159361
DN80 360	98159363
DN100 450	98159362

### O-ring

Pos.	Description/ kit No	98148761
301a	O-ring	1

MAGNA3 terminal-connected versions



TM05 7299 0913

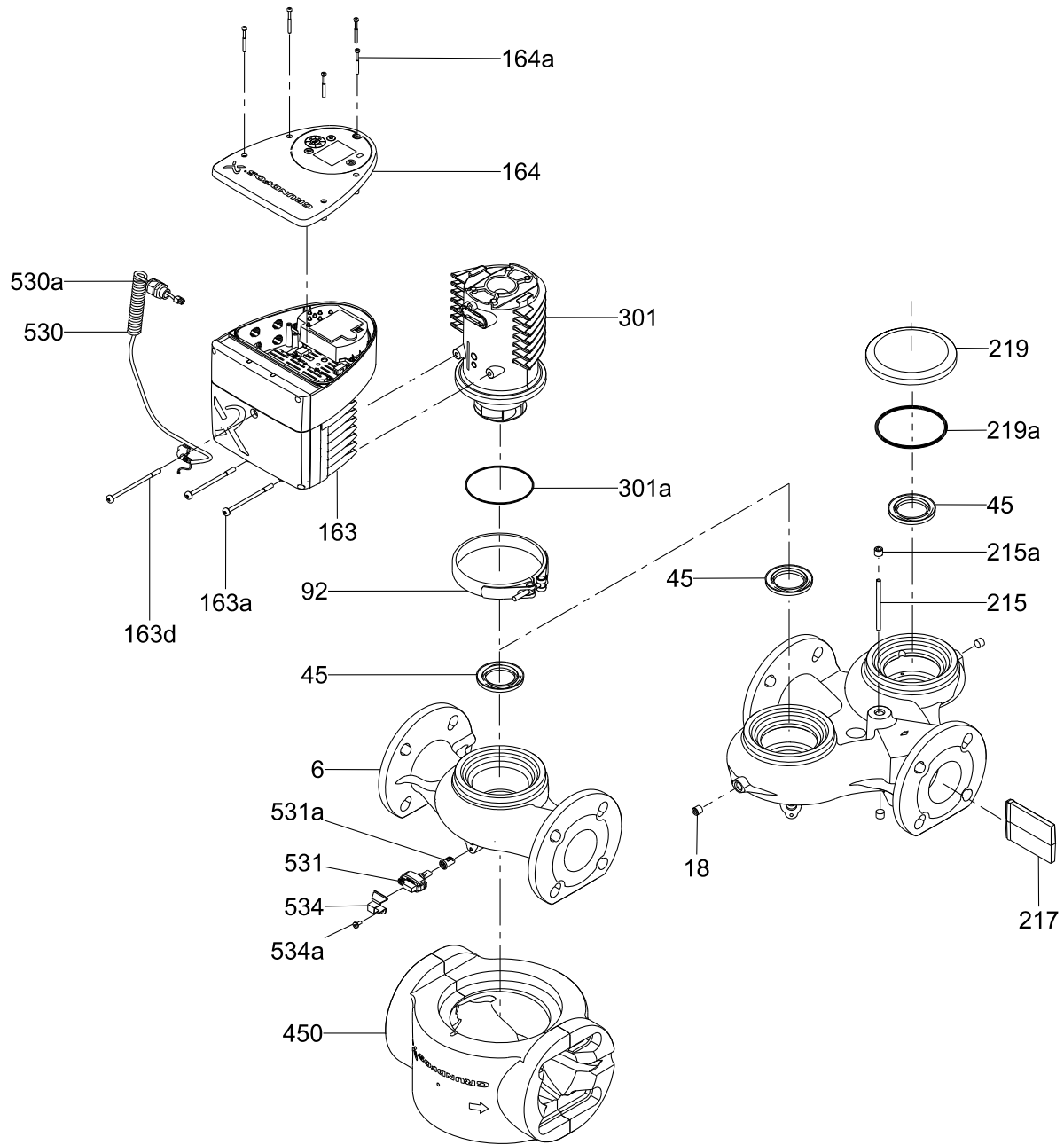
**Control box, configured twin-head pumps**

Model A,B,C

Pump type	Kit No	
	Model A,B,C	
	Head I	Head II
MAGNA3 D 40-80 F (N) PN6/10	99092741	99805610
MAGNA3 D 40-80 F PN16	99092761	99805611
MAGNA3 D 40-100 (N) PN6/10	99092751	99805612
MAGNA3 D 40-100 F PN 16	99092768	99805613
MAGNA3 D 40-120 (N) PN6/10	99092767	99805614
MAGNA3 D 40-120 F PN 16	99092775	99805615
MAGNA3 D 40-150 (N) PN6/10	99092776	99805616
MAGNA3 D 40-150 F PN 16	99092786	99805617
MAGNA3D 40-180 (N) PN6/10	99092755	99805618
MAGNA3 D 40-180 F PN 16	99092798	99805619
MAGNA3 D 50-40 F (N) PN6/10	99092752	99805620
MAGNA3 D 50-40 F PN16	99092769	99805621
MAGNA3 D 50-60 (N) PN6/10	99092770	99805622
MAGNA3 D 50-60 F PN 16	99092778	99805623
MAGNA3 D 50-80 F (N) PN6/10	99092774	99805624
MAGNA3 D 50-80 F PN16	99092783	99805625
MAGNA3 D 50-100 (N) PN6/10	99092777	99805626
MAGNA3 D 50-100 F PN 16	99092787	99805627
MAGNA3 D 50-120 (N) PN6/10	99092780	99805629
MAGNA3 D 50-120 F PN 16	99092792	99805630
MAGNA3 D 50-150 (N) PN6/10	99092790	99805631
MAGNA3 D 50-150 F PN 16	99092805	99805632
MAGNA3 D 50-180 (N) PN6/10	99092806	99805633
MAGNA3 D 50-180 F PN 16	99092812	99805634
MAGNA3 D 65-40 F (N) PN6/10	99092773	99805635
MAGNA3 D 65-40 F PN16	99092781	99805636
MAGNA3 D 65-60 (N) PN6/10	99092779	99805637
MAGNA3 D 65-60 F PN 16	99092791	99805638
MAGNA3 D 65-80 F (N) PN6/10	99092784	99805639
MAGNA3 D 65-80 F PN16	99092799	99805640
MAGNA3 D 65-100 (N) PN6/10	99092788	99805641
MAGNA3 D 65-100 F PN 16	99092802	99805642
MAGNA3 D 65-120 (N) PN6/10	99092795	99805643
MAGNA3 D 65-120 F PN 16	99092808	99805644
MAGNA3 D 65-150 (N) PN6/10	99092591	99805645
MAGNA3 D 65-150 F PN 16	99092599	99805646
MAGNA3 D 80-40 F (N) PN6	99092782	99805647
MAGNA3 D 80-40 F (N) PN10	99092785	99805648
MAGNA3 D 80-40 F PN16	99092794	99805649
MAGNA3 D 80-60 (N) PN6	99092789	99805650
MAGNA3 D 80-60 (N) PN10	99092793	99805651
MAGNA3 D 80-60 F PN 16	99092804	99805652
MAGNA3 D 80-80 F (N) PN6	99092797	99805653
MAGNA3 D 80-80 F (N) PN10	99092801	99805654
MAGNA3 D 80-80 F PN16	99092810	99805655
MAGNA3 D 80-100 F PN6	99092590	99805656
MAGNA3 D 80-100 F PN10	99092592	99805657
MAGNA3 D 80-100 F PN16	99092596	99805658
MAGNA3 D 80-120 F PN6	99092594	99805659
MAGNA3 D 80-120 F PN10	99092598	99805660
MAGNA3 D 80-120 F PN16	99092602	99805661
MAGNA3 D 100-40 F (N) PN6	99092796	99805662
MAGNA3 D 100-40 F (N) PN10	99092800	99805663
MAGNA3 D 100-40 F PN16	99092809	99805664

Pump type	Kit No	
	Model A,B,C	
	Head I	Head II
MAGNA3 D 100-60 (N) PN6	99092803	99805665
MAGNA3 D 100-60 (N) PN10	99092807	99805666
MAGNA3 D 100-60 F PN 16	99092811	99805667
MAGNA3 D 100-80 F PN6	99092593	99805668
MAGNA3 D 100-80 F PN10	99092595	99805669
MAGNA3 D 100-80 F PN16	99092601	99805670
MAGNA3 D 100-100 F PN6	99092597	99805671
MAGNA3 D 100-100 F PN10	99092600	99805672
MAGNA3 D 100-100 F PN16	99092604	99805673
MAGNA3 D 100-120 F PN6	99092603	99805674
MAGNA3 D 100-120 F PN10	99092605	99805675
MAGNA3 D 100-120 F PN16	99092606	99805676
<b>Pos.</b>	<b>Description/ kit No</b>	<b>98148727</b>
164	Control box cover	1
164a	Screw	5

MAGNA3 terminal-connected versions



TM05 7299 0913

**Control box, configured twin-head pumps**

Model D

Pump type	Kit No	
	Model D	
	Head I	Head II
MAGNA3 D 40-80 F (N) PN6/10	99332480	99334278
MAGNA3 D 40-80 F PN16	99333706	99334303
MAGNA3 D 40-100 (N) PN6/10	99333670	99334280
MAGNA3 D 40-100 F PN 16	99333722	99334311
MAGNA3 D 40-120 (N) PN6/10	99333721	99334310
MAGNA3 D 40-120 F PN 16	99333764	99334455
MAGNA3 D 40-150 (N) PN6/10	99333765	99334456
MAGNA3 D 40-150 F PN 16	99333795	99334500
MAGNA3D 40-180 (N) PN6/10	99333688	99337036
MAGNA3 D 40-180 F PN 16	99333860	99334529
MAGNA3 D 50-40 F (N) PN6/10	99333672	99334281
MAGNA3 D 50-40 F PN16	99333723	99334323
MAGNA3 D 50-60 (N) PN6/10	99333725	99334450
MAGNA3 D 50-60 F PN 16	99333768	99334462
MAGNA3 D 50-80 F (N) PN6/10	99333763	99334454
MAGNA3 D 50-80 F PN16	99333778	99334480
MAGNA3 D 50-100 (N) PN6/10	99333766	99334457
MAGNA3 D 50-100 F PN 16	99333799	99334502
MAGNA3 D 50-120 (N) PN6/10	99333772	99334474
MAGNA3 D 50-120 F PN 16	99333807	99334519
MAGNA3 D 50-150 (N) PN6/10	99333805	99334513
MAGNA3 D 50-150 F PN 16	99334240	99334771
MAGNA3 D 50-180 (N) PN6/10	99334242	99334784
MAGNA3 D 50-180 F PN 16	99334277	99334806
MAGNA3 D 65-40 F (N) PN6/10	99333761	99334453
MAGNA3 D 65-40 F PN16	99333773	99334476
MAGNA3 D 65-60 (N) PN6/10	99333770	99334460
MAGNA3 D 65-60 F PN 16	99333806	99092791
MAGNA3 D 65-80 F (N) PN6/10	99333781	99334495
MAGNA3 D 65-80 F PN16	99333861	99334531
MAGNA3 D 65-100 (N) PN6/10	99333801	99334505
MAGNA3 D 65-100 F PN 16	99334236	99334545
MAGNA3 D 65-120 (N) PN6/10	99333812	99334526
MAGNA3 D 65-120 F PN 16	99334258	99334789
MAGNA3 D 65-150 (N) PN6/10	99335000	99335052
MAGNA3 D 65-150 F PN 16	99335026	99335080
MAGNA3 D 80-40 F (N) PN6	99333775	99334479
MAGNA3 D 80-40 F (N) PN10	99333793	99334498
MAGNA3 D 80-40 F PN16	99333811	99334524
MAGNA3 D 80-60 (N) PN6	99333803	99334509
MAGNA3 D 80-60 (N) PN10	99333810	99334520
MAGNA3 D 80-60 F PN 16	99334238	99334770
MAGNA3 D 80-80 F (N) PN6	99333859	99334528
MAGNA3 D 80-80 F (N) PN10	99334235	99334543
MAGNA3 D 80-80 F PN16	99334273	99334803
MAGNA3 D 80-100 F PN6	99334867	99335050
MAGNA3 D 80-100 F PN10	99335003	99335064
MAGNA3 D 80-100 F PN16	99335009	99335070
MAGNA3 D 80-120 F PN6	99335007	99335068
MAGNA3 D 80-120 F PN10	99335024	99335078
MAGNA3 D 80-120 F PN16	99335034	99335150
MAGNA3 D 100-40 F (N) PN6	99333855	99334527
MAGNA3 D 100-40 F (N) PN10	99334173	99334532
MAGNA3 D 100-40 F PN16	99334259	99334792

Pump type	Kit No	
	Model D	
	Head I	Head II
MAGNA3 D 100-60 (N) PN6	99334237	99334546
MAGNA3 D 100-60 (N) PN10	99334253	99334788
MAGNA3 D 100-60 F PN 16	99334276	99334804
MAGNA3 D 100-80 F PN6	99335004	99335066
MAGNA3 D 100-80 F PN10	99335008	99335069
MAGNA3 D 100-80 F PN16	99335029	99335050
MAGNA3 D 100-100 F PN6	99335011	99335073
MAGNA3 D 100-100 F PN10	99335028	99335148
MAGNA3 D 100-100 F PN16	99335040	99335152
MAGNA3 D 100-120 F PN6	99335036	99335151
MAGNA3 D 100-120 F PN10	99335044	99335163
MAGNA3 D 100-120 F PN16	99335045	99335164

Pos.	Description/ kit No	98148727
164	Control box cover	1
164a	Screw	5

**Sealing cap**

Pos.	Description	Kit No	Bulk No (10 pcs)	Bulk No (100 pcs)
531a	Sealing cap	98613455	98708139	98937750

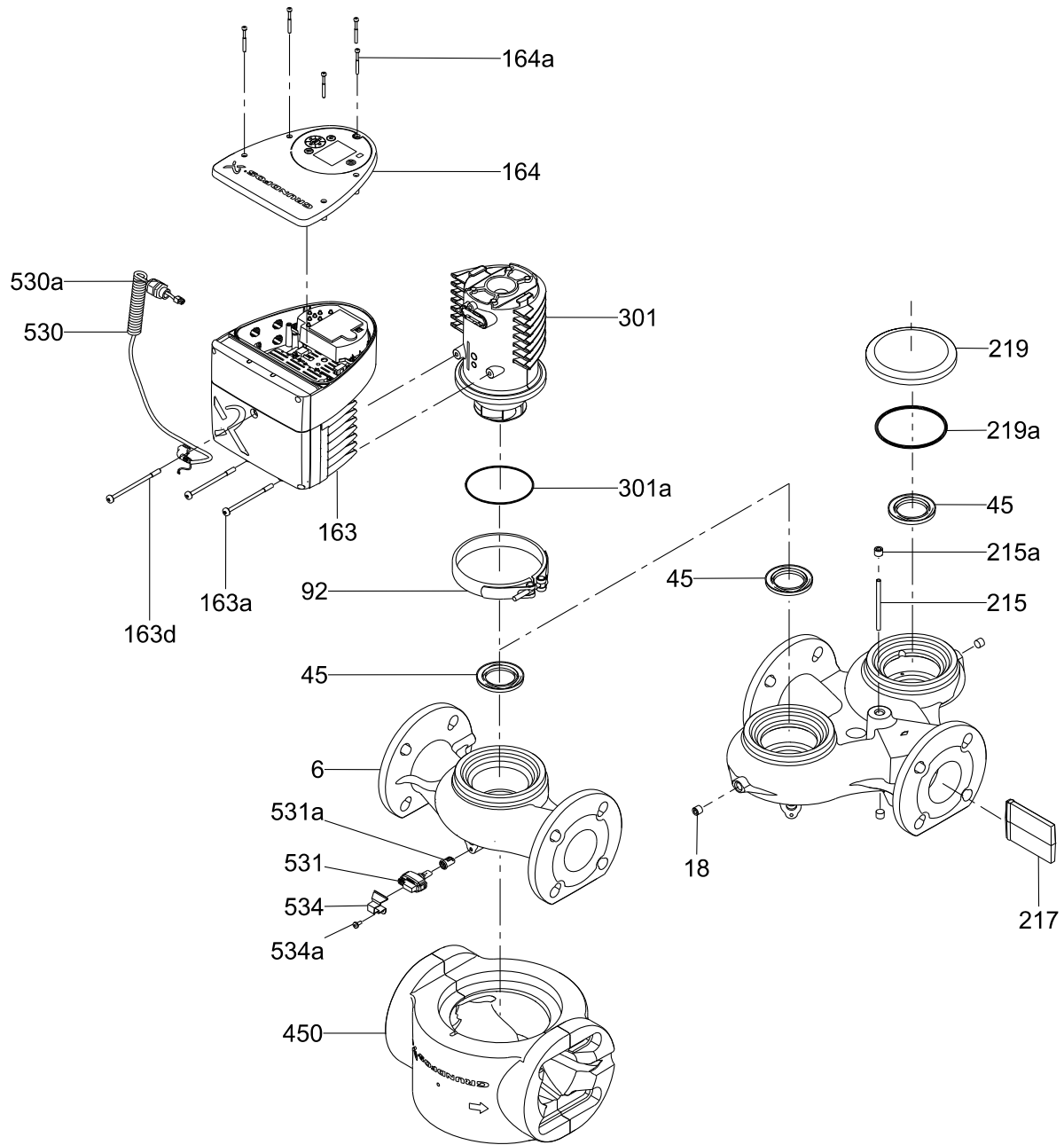
**Pump head**

Pos.	Description	Kit No/pcs	
		A+B+C	D
	Model		
	DN 32-120	98148736	98148737
	DN 40-80/100	98148738	98148739
	DN 40-120/150/180	98148740	98148741
	DN 50-40/60/80	98148742	98148743
	DN 50-100	98980702	98980689
	DN 50-120	98148744	98148745
	DN 50-150/180	98148746	98148747
	DN 65-40/60	98148748	98148749
	DN 65-80/100/120	98148750	98148751
	DN 65-150	98148752	98148753
	DN 80-40/60	98148754	98148755
	DN 80-80/100/120	98148756	98148757
92	Clamp		1
163a	Screw		2
163d	Screw		1
301	Pump head		1
301a	O-ring		1
301b	Gasket (EMC)		1

**Sensor with cable**

Pos.	Description/ kit No	1 pcs	Bulk (10 pcs,)
		99313067	99313072
530	Cable	1	10
530a	Cable gland	1	10
531	Sensor	1	10
531a	Sealing cap	1	10
534	Bracket	1	10
534a	Screw	1	10

MAGNA3 terminal-connected versions



TM05 7299 0913

**Two-way flap**

Pos.	Description	Kit No/pcs
	Model	A
	DN 32-	96407253
	DN 40-	96407254
	DN 50-	96407255
	DN 65-	96407256
	DN 80	96407257
	DN 100	96407258

**Connector plug**

Pos.	Description/ kit No	98357861
-	3-Pole connector plug angled	2
-	3-pole connector plug up-right	1
-	4-pole connector plug angled w/wire	1

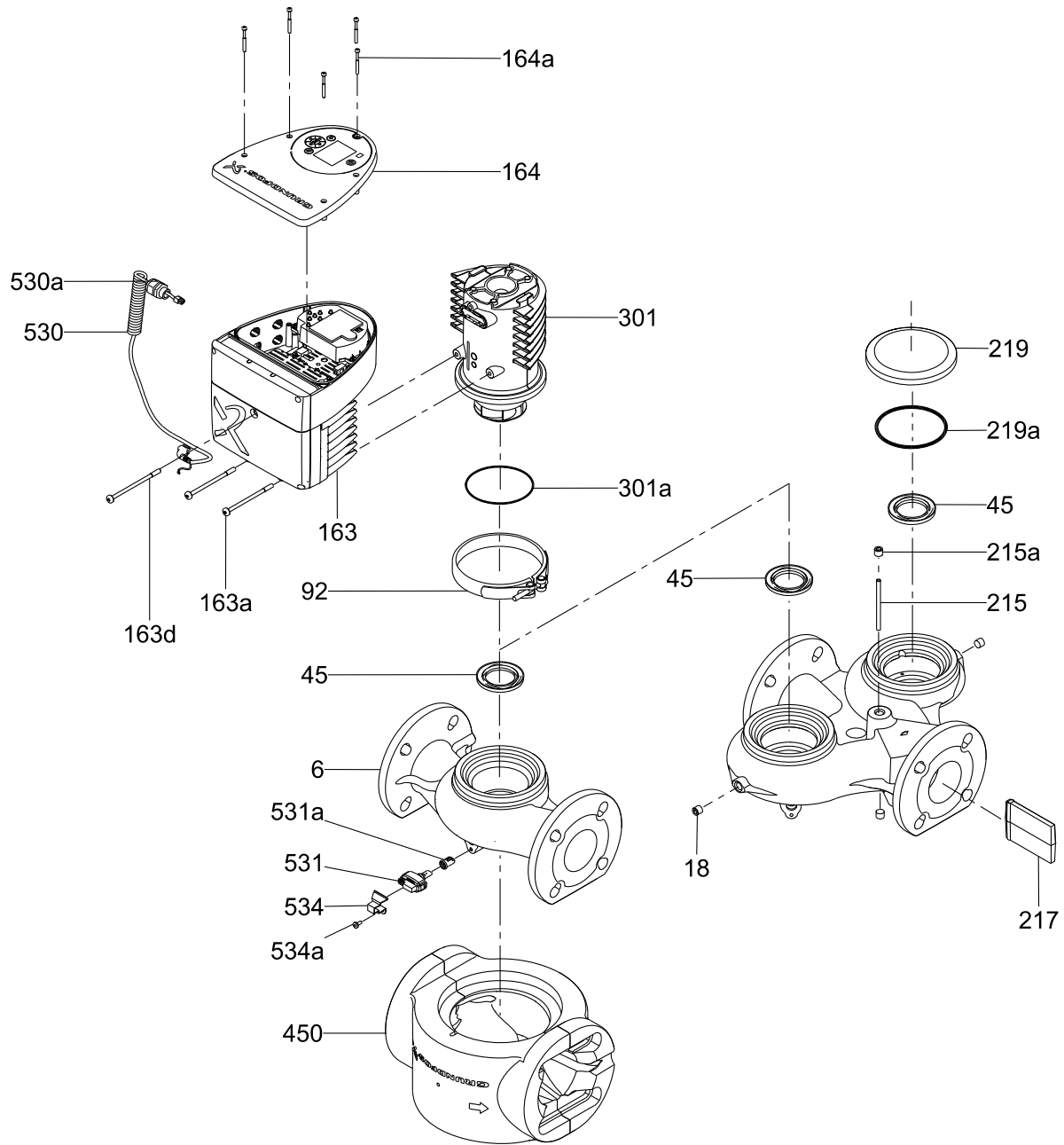
**Pump housing\***

Model A,B,C and D

Pump DN size	Size			Kit no.
	PN6	PN10	PN16	
MAGNA3 DN32	•	•	•	98660062
MAGNA3 DN40	•	•	•	98660063
MAGNA3 DN50	•	•	•	98660064
MAGNA3 DN65	•	•	•	98660065
MAGNA3 DN80	•			98660066
MAGNA3 DN80		•	•	98660067
MAGNA3 DN100	•			98660068
MAGNA3 DN100		•	•	98660069
MAGNA3 D DN32	•	•	•	98660078
MAGNA3 D DN40	•	•	•	98660079
MAGNA3 D DN50	•	•	•	98660080
MAGNA3 D DN65	•	•	•	98660081
MAGNA3 D DN80	•			98660082
MAGNA3 D DN80		•	•	98660083
MAGNA3 D DN100	•			98660084
MAGNA3 D DN100		•	•	98660085

\*) Pump houses for DN 40, port to port length 220 mm and DN 50, port to port length 240 mm are not available.

MAGNA3 terminal-connected versions



TM05 7299 0913

## NAMREG MAGNA3 terminal-connected versions

### Additional kits

Pos.	Description	Kit No/pcs
-	Terminal connector plugs	98607782
-	Gasket	98721416
-	Cable gland	98578414

### Clamp

Pos.	Description/ kit No	98700282
92	Clamp with screw	1

### Control box, unconfigured

Pos.	Description Kit No	650W	750W	1600W
		98463326	98463324	98463322
163	Control box complete	1	1	1
163a	Screw	2	2	2
163d	Screw	1	1	1
301b	Protector (EMC)	1	1	1

### Control box, configured single-head pumps

Pump type	Kit No	
	Model A	Model D
MAGNA3 40-80 115V	99068772	99372335
MAGNA3 40-80 230V	99068783	99372336
MAGNA3 40-120 115V	99068768	99372318
MAGNA3 40-120 230V	99068769	99372321
MAGNA3 40-180 115V	99068770	99372333
MAGNA3 40-180 230V	99068771	99372334
MAGNA3 50-80 115V	99068786	99372341
MAGNA3 50-80 230V	99068788	99372344
MAGNA3 50-150 115V	99068784	99372338
MAGNA3 50-150 230V	99068785	99372339
MAGNA3 65-120 115V	99068789	99372345
MAGNA3 65-120 230V	99068790	99372347
MAGNA3 65-150 230V	99068791	99372349
MAGNA3 80-100 230V	99068792	99372350
MAGNA3 100-120 230V	99068793	99372378

### Control box, configured twin-head pumps

#### Model A

Pump type	Kit No
	Head I and head II
MAGNA3 D 65-150 230V	99068794
MAGNA3 D 80-100 230V	99068795
MAGNA3 D 100-120 230V	99068796

### Control box, configured twin-head pumps

#### Model D

Pump type	Kit No
	Head I and head II
MAGNA3 D 65-150 230V	99372381
MAGNA3 D 80-100 230V	99372384
MAGNA3 D 100-120 230V	99372387

### Insulation shells

Description	Kit No
DN40-xx	98827415
DN50-xx	98827416
DN65-xx	98827417
DN80-xx	98827418
DN100-120	98827419

### O-ring

Pos.	Description/ kit No	98148761
301a	O-ring	1

### Pump head

Pos.	Description	Kit No/pcs
	MAGNA1 65-120 GF 340 115V	98460157
	MAGNA1 40-80 GF 216 115V	98460170
	MAGNA1 40-120 GF 216 115V	98460166
	MAGNA1 50-80 GF 240 115V	98460162
	MAGNA3 50-150 GF 280 115V	98460159
	MAGNA3 40-80 GF 216 230V	98460168
	MAGNA3 40-120 GF 216 230V	98460165
	MAGNA3 50-80 GF 240 230V	98460161
	MAGNA3 50-150 GF 280 230V	98460173
	MAGNA3 65-120 GF 340 230V	98460158
	MAGNA3 65-150 GF 340 230V	98148752
	MAGNA3 80-100 GF 360 230V	98460151
	MAGNA3 D 65-150 GF 340 230V	98460154
92	Clamp	1
163a	Screw	2
163d	Screw	1
301	Pump head	1
301a	O-ring	1
301b	Gasket (EMC protection)	1

### Sealing cap

Pos.	Description	Kit No	Bulk No (10 pcs)	Bulk No (100 pcs)
531a	Sealing cap	98613455	98708139	98937750

### Sensor with cable

Pos.	Description/ kit No	1 pcs	Bulk (10 pcs.)
		99313067	99313072
530	Cable	1	10
530a	Cable gland	1	10
531	Sensor	1	10
531a	Sealing cap	1	10
534	Bracket	1	10
534a	Screw	1	10

### Two-way flap

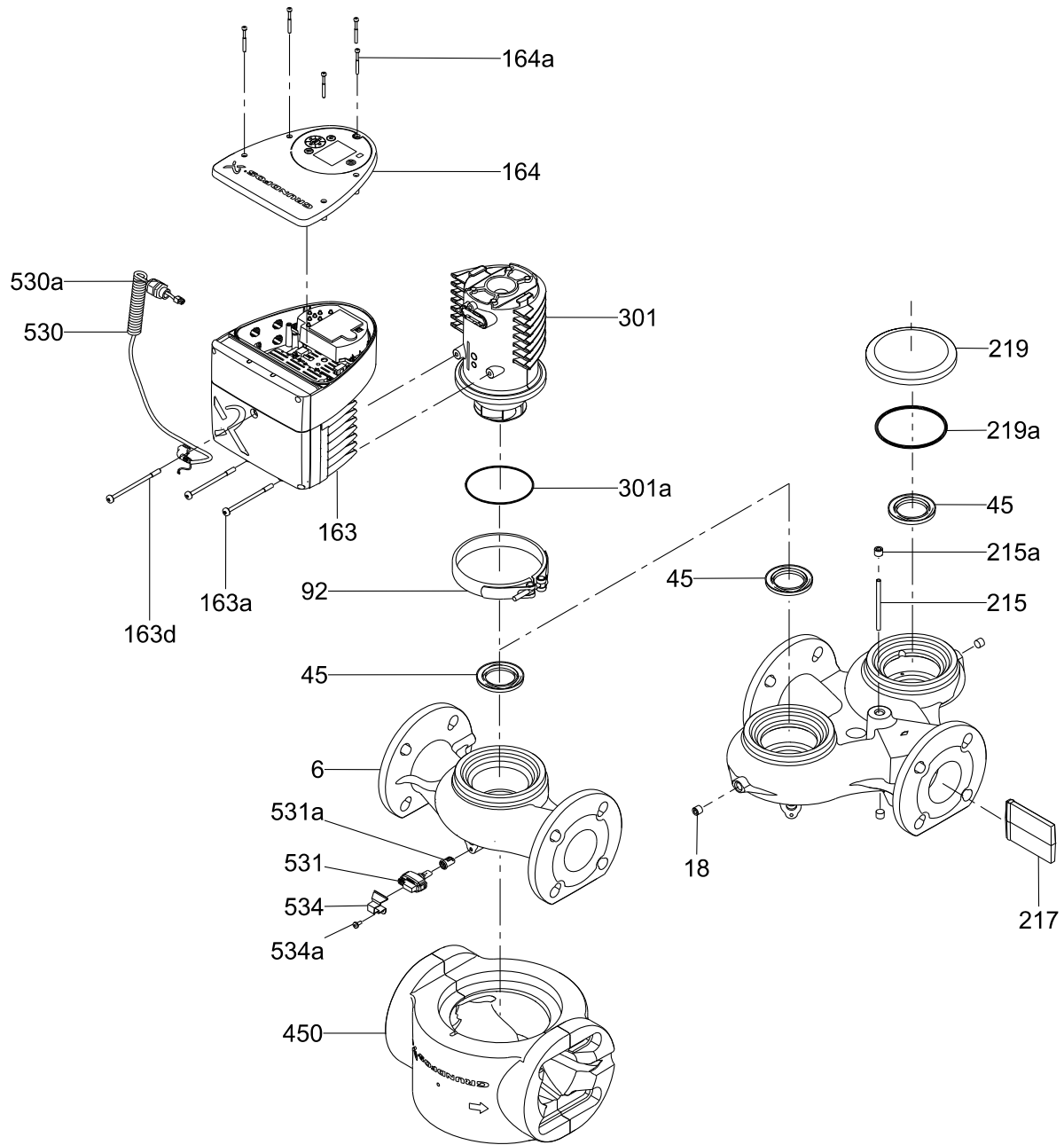
Pos.	Description	Kit No/pcs
	DN 65	96407256
	DN 80	96407257
	DN 100	96407258
215	Pin	1
217	Rubber flap	1

### Pump housing

#### Model A and D

Pump DN size	Size	Kit no.
MAGNA3 GF40	Psi 150	98660089
MAGNA3 GF65	Psi 150	98660090
MAGNA3 GF100	Psi 150	98660091
MAGNA3 D GF100	Psi 150	98660093

MAGNA3 terminal-connected versions



TM05 7299 0913

## Model E

Pump type	Pump number	Pump head	Terminal box	Seal kit	Drawing
MAGNA 32-120 F	96513625	96513648	96513647		
MAGNA 32-120 FN	96513643	96513648	96513647		
MAGNA 32-120 F (D)	96513629	96513648	96513647		
MAGNA 40-120 F	96513626	96513649	96513647		
MAGNA 40-120 FN	96513644	96513649	96513647		
MAGNA 40-120 F (D)	96513640	96513649	96513647		
MAGNA 50-60 F	96513627	96513660	96513647		
MAGNA 50-60 FN	96513645	96513660	96513647		
MAGNA 50-60 F (D)	96513641	96513660	96513647		
MAGNA 50-120 F	96504872	96499918	96500020	96406940	1
MAGNA 50-120 F (D)	96504874	96499918	96500020		
MAGNA 50-120 FN	96504876	96499918	96500020		
MAGNA 65-60 F	96513628	96513661	96513647		
MAGNA 65-60 FN	96513646	96513661	96513647		
MAGNA 65-60 F (D)	96513642	96513661	96513647		
MAGNA 65-120 F	96504873	96499919	96500020		
MAGNA 65-120 F	96504875	96499919	96500020		
MAGNA 65-120 FN (D)	96504877	96499919	96500020		

### Pump head content

Pos.	Description	Drawing 1
12	Split cone	
17	Inspection screw	1
48	Spilt cone nut	1
49	Impeller complete	1
49b	Split cone	1
59	Bearing plate	1
61	Stop ring	1
72a	O-ring/gasket	1
76	Nameplate	1
100	O-ring	1
109	O-ring	1
148	Rotor can with bearing (158a)	1
153	Bearing	1
159	Rubber for bearing	1
172	Shaft with rotor	1
175	Screw	3

### Seal kit content

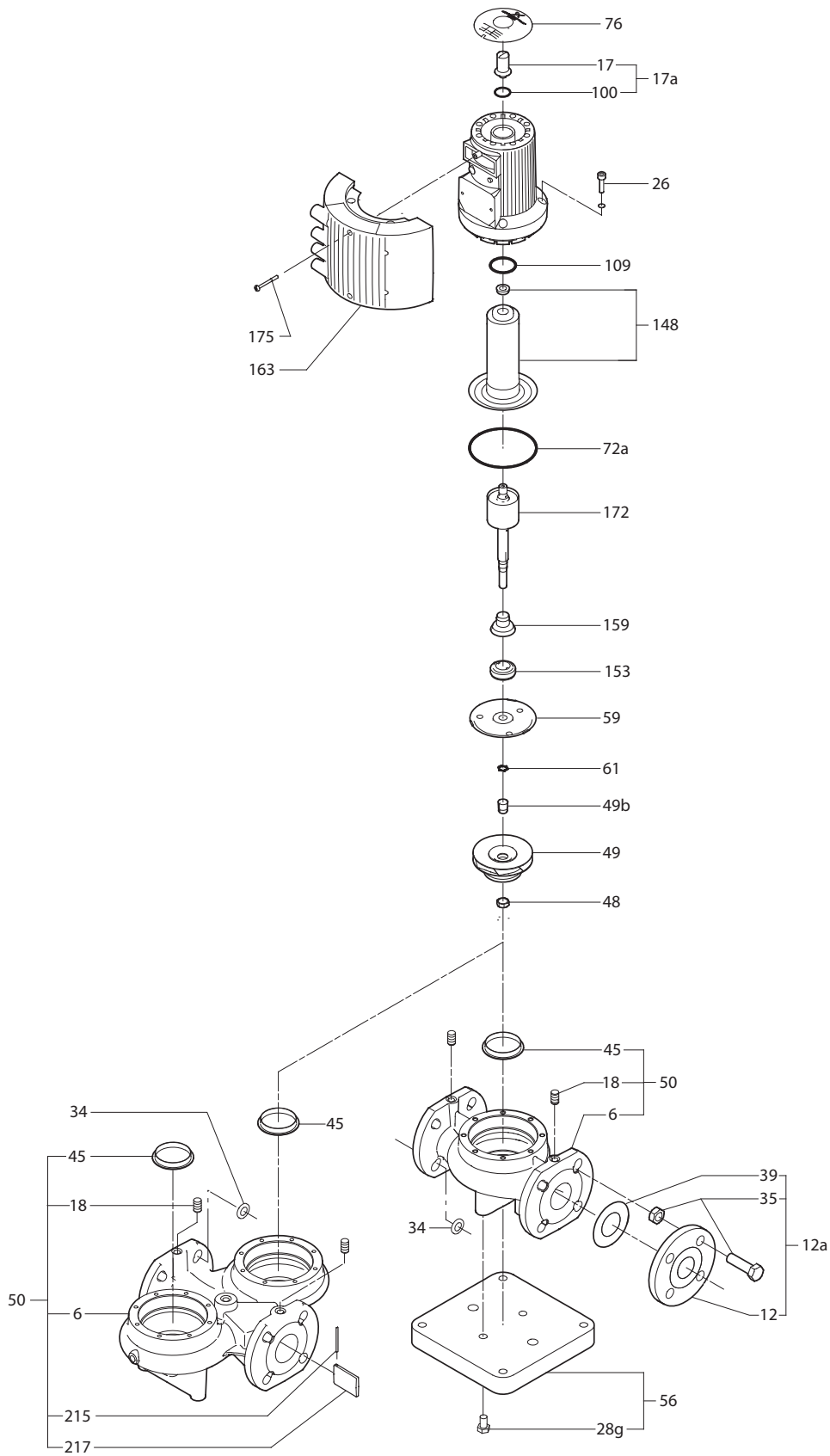
Pos.	Description	Quantity
72a	O-ring 155 x 4	1
	O-ring 113 x 3	1
100	O-ring 18 x 4	1
-	O-ring for pressure sensor 7 x 1.5	1
-	Gasket for pressure sensor 30/24 x 2	1
-	Gasket for cylinder part on pressure sensor	1
19d	O-ring for pressure sensor 15 x 3	1

### Terminal box content

Pos.	Description	Drawing 1
26	Screw	2
163	Terminal box complete	1
175	Screw	3

Model E

Drawing 1



TMO2 1119 3404

Pump type	Pump number	Pump head	Terminal box	Drawing
MAGNA 25-40	96817929 96817931	96817961	97752743	
MAGNA 25-60	96281022	96281047	97752743	
MAGNA 25-80	97691265			
MAGNA 25-80	97691267			
MAGNA 25-80 N	97691268	97752745	97752743	
MAGNA 25-80 N	97691269			
MAGNA 25-100	96281015	96281049	97752743	
MAGNA 32-40	96817952 96817953	96817972	97752743	
MAGNA 32-40 N	96817954 96817956	96817972	97752743	
MAGNA 32-60	96281023	96281048	97752743	
MAGNA 32-60 N	96700323 96748695	96281048	97752743	
MAGNA 32-80	97691270			2
MAGNA 32-80	97691271			
MAGNA 32-80 N	97691272			
MAGNA 32-80 N	97691273	97752747	97752743	
MAGNA 32-80 F	97691276			
MAGNA 32-80 F	97691279			
MAGNA 32-100	96281016	96281050	97752743	
MAGNA 32-100 N	96281017	96281050	97752743	
MAGNA 32-100 F	96281018	96281050	97752743	
MAGNA 40-60 F	97691280			
MAGNA 40-60 F	97691281	97752749	97752743	
MAGNA 40-80 F	97711652			
MAGNA 40-80 F	97711653	97752750	97752743	
MAGNA 40-100 F	96281019	96281051	97752743	
MAGNA 40-100 F (D)	96281021	96281051	97752743	
MAGNA 50-100 F	96281020	96281052	97752743	

#### Cable for twin-head pump

Pos.	Description/ kit No	605779
-	Communication cable	1

#### Pump head content

Pos.	Description	Drawing 2
12	Split cone	1
49	Impeller complete	1
59	Bearing plate	1
72a	O-ring/gasket	1
109	O-ring	1
148	Rotor can with bearing (158a)	1
153	Bearing	1
172	Shaft with rotor	1

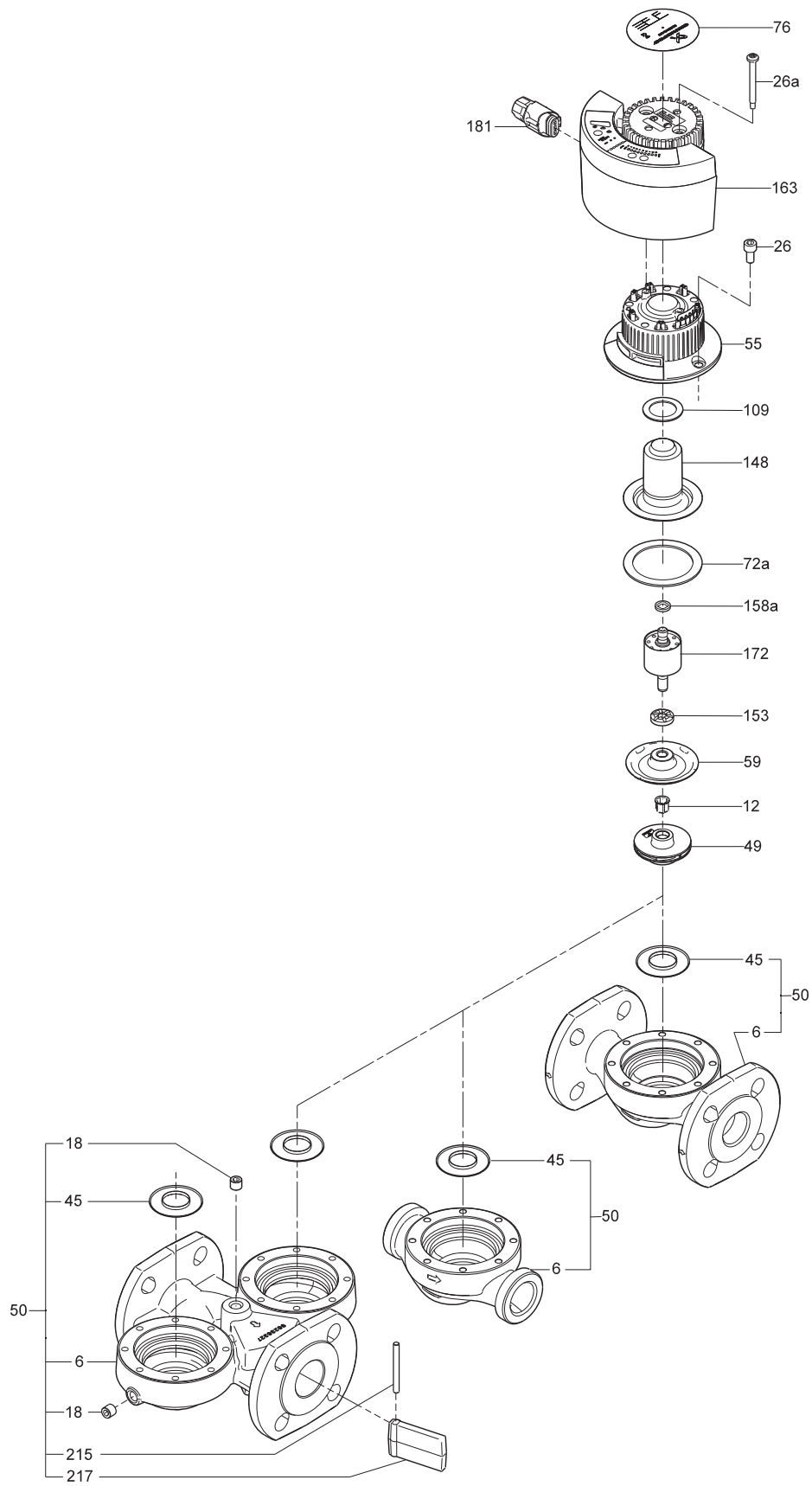
#### Terminal box content

Pos.	Description	Drawing 2
163	Terminal box complete	1

Model E

Drawing 2

Model E MAGNA



TM03 0535 0205