

NPE/NPE-F REPAIR PARTS

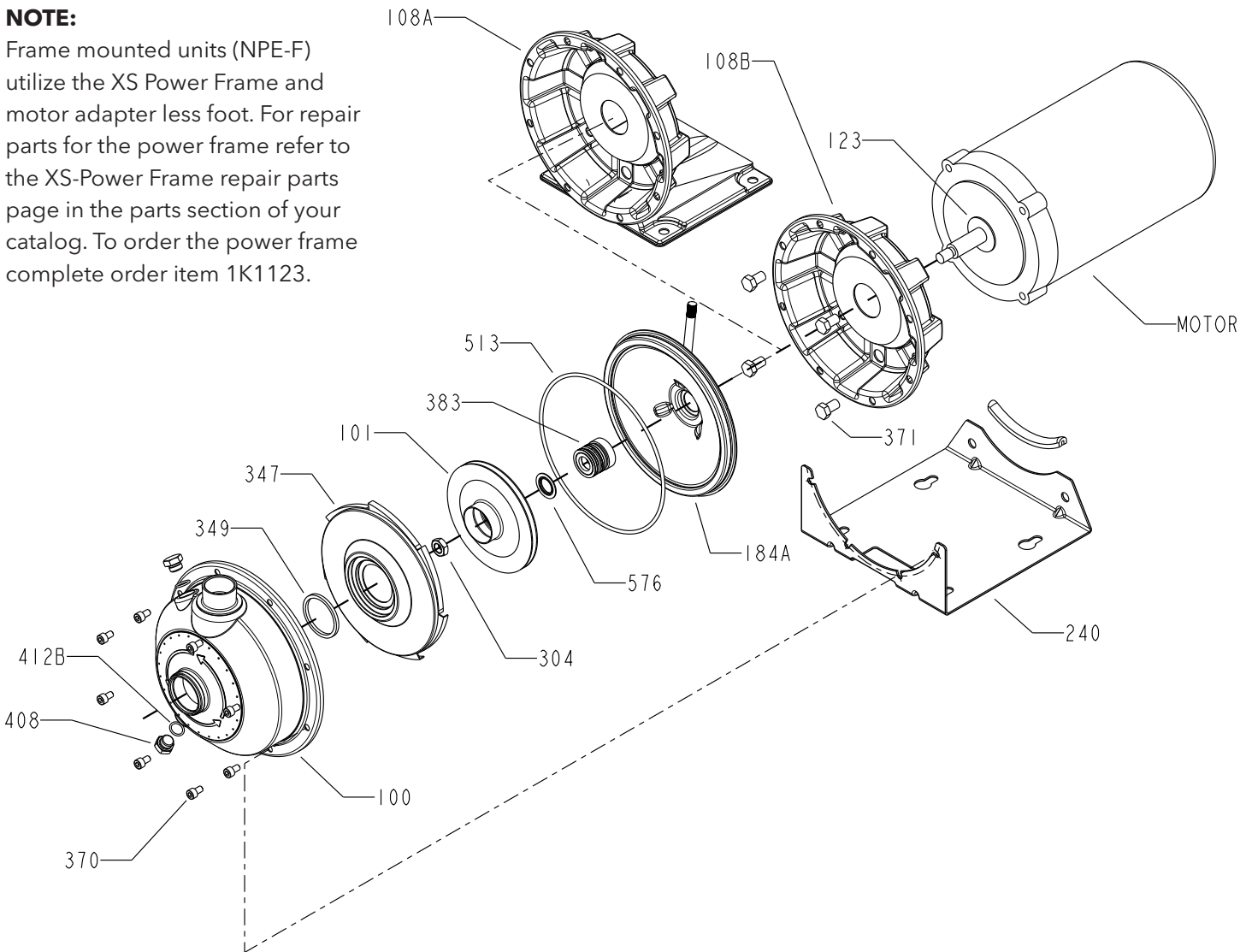
TABLE OF CONTENTS

NPE END SUCTION

Pictorial Breakdown of Pump	2	Impeller Chart Standard Impeller by Impeller Code	4
Parts List	3	Motor Chart	4
Optional Components	3		

NOTE:

Frame mounted units (NPE-F) utilize the XS Power Frame and motor adapter less foot. For repair parts for the power frame refer to the XS-Power Frame repair parts page in the parts section of your catalog. To order the power frame complete order item 1K1123.



Type 21 Mechanical Seal ($\frac{5}{8}$ " seal)						
Seal Code	Rotary	Stationary	Elastomers	Metal Parts	Part No.	Casing O-Ring
2	Carbon	Silicon Carbide	EPR	316 SS	10K18	EPR
4			Viton		10K55	Viton
5	EPR		10K81		EPR	
6	Viton		10K62		Viton	
8*	Carbon	Ceramic	EPR		10K167	EPR
9			Teflon		10K52	Teflon

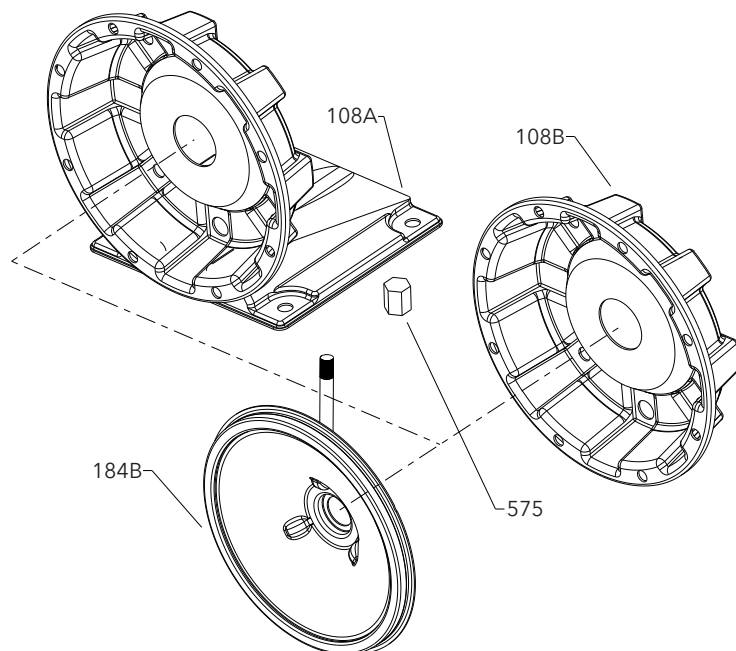
* This is a JC Type 2100 unitized seal ideal for glycol applications.

NPE STANDARD REPAIR PARTS LIST

Item No.	Description	Materials of Construction	1ST 1 x 1¼	2ST 1¼ x 1½	3ST 1½ x 2	QUANTITY
100	Casing	AISI 316L SS	1L81	1L82	1L83	1
101	Impeller + Spring Retainer		See Impeller chart on page 4			1
108A	Motor adapter with foot*	304 SS	1L80			1
108B	Motor adapter less foot*		1L87			
123	Deflector	BUNA-N	5K7			1
184A	Seal housing standard	AISI 316L SS	1L79			1
184B	Seal housing with seal flush		1L333			
240	Motor support	300 SS	4L423			1
	Rubber channel	Rubber	9K188 , 9K753 (based on HP)			1
304	Impeller locknut	AISI 316 SS	13K286			1
347	Guidevane	AISI 316L SS	3L23	3L24	3L25	1
349	Seal ring, guidevane	Viton standard	5K269	5K270		1
		EPR	5K273	5K274		
		BUNA	5K271	5K272		
		Teflon	5L96	5L97		
370	Socket head screw, casing	AISI 410 SS	13L65			8
371	Bolts, motor	Steel/plated	13K252			4
383	Mechanical seal		See Mechanical Seal Chart on Page 2			1
408	Drain and vent plug, casing	AISI 316 SS	6L3			2
412B	O-ring, drain plugs	Viton, standard	5L99			2
		EPR	5L80			
		BUNA	5L62			
		Teflon	5L100			
513	O-ring, casing	Viton standard	5K206			1
		EPR	5K193			
		BUNA	5K4			
		Teflon	5L98			
575	Pipe Cap	304 SS	6K150			1
576	Spring Retainer	316 SS	4K1221			1

* Flush access hole provided.

NOTE:
OPTIONAL SEAL FLUSH COMPONENTS



NOTE:

Close-coupled units using motors ½ - 1 HP (TEFC and ODP) will use footed motor adapter as standard.

Close-coupled units using motors 1½ - 3 HP (TEFC and ODP) will use footless motor adapter as standard.

Close-coupled units using motors 5 HP and all X-Proof will have a foot attached to the motor.

NPE STANDARD IMPELLERS
For Units Built After January 6, 2020

Impeller Code	Pump Size					
	1 x 1¼ - 6		1¼ x 1½ - 6		1½ x 2 - 6	
	Diameter	Part No.	Diameter	Part No.	Diameter	Part No.
A	6 ¹ / ₈	2K1203	6 ¹ / ₈	2K1391	5 ¹ / ₈	2K1401
B	5 ³ / ₄	2K1202	5 ¹⁵ / ₁₆	2K1392	5	2K1402
C	5 ³ / ₁₆	2K1201	5 ³ / ₄	2K1393	4 ³ / ₄	2K1403
D	4 ³ / ₄	2K1200	5 ¹¹ / ₃₂	2K1394	4 ¹ / ₂	2K1404
E	4 ⁷ / ₁₆	2K1199	5 ¹ / ₁₆	2K1395	4 ³ / ₈	2K1405
F	4 ¹ / ₁₆	2K1211	4 ⁷ / ₈	2K1396	4	2K1406
G			4 ⁵ / ₈	2K1397	3 ⁵ / ₈	2K1407
H			4 ¹ / ₄	2K1398		
J			4	2K1399		

NPE CLOSE-COUPLED MOTORS
MODEL NPE 3500 RPM

HP	Single-Phase, 60 Hz, 115/230 V**, 56J Frame								
	Open, Drip-Proof ①			Totally Enclosed, Fan Cooled			Explosion Proof		
	Order No.	Max. Amps	Wt. (lbs.)	Order No.	Max. Amps	Wt. (lbs.)	Order No.	Max. Amps	Wt. (lbs.)
½	E04853S	10.0/5.0	16	E04821S	6.2/3.1	21	BBC04825	6.2/3.1	47
¾	E05853S	14.0/7.0	19	E05821S	8.8/4.4	24	BBC05825	8.8/4.4	41
1	E06853S	16.0/8.0	22	E06821S	11.6/5.8	26	BBC06825	11.6/5.8	49
1½	E07858S	21.4/10.7	31	E07821S	16.2/8.1	35	BBC07825	16.2/8.1	56
2	E08854S	26.8/13.4	36	E08821S	20.8/10.4	39	BBC08825	20.8/10.4	60
3	E09854S	14.0	40	E09821S	11.89	44			
5	E10A12D1EB1G	14.4	55						

Note:** 3 and 5 HP Single-Phase motors are 230 V only.

HP	Three-Phase, 60 Hz, 208-230/460 V, 56J Frame								
	Open, Drip-Proof ①			Totally Enclosed, Fan Cooled			Explosion Proof		
	Order No.	Max. Amps	Wt. (lbs.)	Order No.	Max. Amps	Wt. (lbs.)	Order No.	Max. Amps	Wt. (lbs.)
½	E04873S	2.6/1.3	19	E04876S	1.9/0.95	18	BBC04875	1.9/0.95	27
¾	E05873S	3.4/1.7	19	E05876S	2.3/1.15	21	BBC05875	2.3/1.15	30
1	E06873S	4.2/2.1	22	E06D32E5HB5G	3.2/1.6	21	K06C32E6EB1S	3.2/1.6	30
1½	E07878S	5.8/2.9	25	E07D32E5HB4G	4.8/2.4	27	K07C32E6EB1S	4.8/2.4	37
2	E08874S	6.9/3.3	39	E08D32E5HB3G	5.4/2.7	33	F08C32E6EB1G	5.4/2.7	44
3	E09874S	7.2/3.6	31	E09D32E5HB2G	7.6/3.8	37			
5	E10774S	7.2/14.4	50	K10D32E2EB1G	6.2/12.4	48			
7.5				K11A32E5BT1S***	16.8/8.4	96			

① For vertical mounting order motor canopy separately - 9K272 for ½, ¾ and 1 HP single phase or 9K273 for all other ODP motors

Note: *** K11A32E5BT1S is 184CZ frame, 180 frame with 56 shaft

MODEL NPE 1750 RPM

HP	Single-Phase, 60 Hz, 115/230 V, 56J Frame								
	Open, Drip-Proof ①			Totally Enclosed, Fan Cooled			Explosion Proof		
	Order No.	Max. Amps	Wt. (lbs.)	Order No.	Max. Amps	Wt. (lbs.)	Order No.	Max. Amps	Wt. (lbs.)
½	E04811	8.6/4.3	19	E04812	8.0/4.0	20	BBC04815	8.0/4.0	45
¾	C05811BM	11.4/5.7	33	C05812BM	9.8/4.9	33	E05A14B3BB1S	10.6/5.3	48

HP	Three-Phase, 60 Hz, 208-230/460 V, 56J Frame								
	Open, Drip-Proof ①			Totally Enclosed, Fan Cooled			Explosion Proof		
	Order No.	Max. Amps	Wt. (lbs.)	Order No.	Max. Amps	Wt. (lbs.)	Order No.	Max. Amps	Wt. (lbs.)
½	E04831	3.76/4.0/2.0	20	E04C34E2EB1G	1.77/1.6/0.8	20	BBC04835	1.77/1.6/0.8	45
¾	C05831	3.6-3.4/1.7	27	BM05832	3/1.5	28	E05A34E3BB2S	3.3-3/1.5	33

Note: Explosion Proof Motors are class 1 and 2, Group D



Xylem Inc.
www.xylem.com/goulds

Goulds is a registered trademark of Goulds Pumps, Inc. and is used under license.

© 2021 Xylem Inc. RNPE R7 February 2021