



CWK21/22/23

UNASSEMBLED ROLL TOP POLYETHYLENE BASIN KITS

FEATURES

Structural foam cover is strong and corrosion resistant.

Vent grommets for both 2" and 3" vent provided on A8SF18, 2" only on A8ST18. Adds system flexibility and reduces inventory.

Rubber grommets for positive seal and easy installation.

Vent, discharge, inlet and cord holes all pre-drilled.

Torque stop insert to stabilize the pump.

Swing type 2" check valve:

- A9-2PH rubber sleeve type
- A9-2P compression type

Schedule 40, 2" PVC discharge pipe with 1/8" bleed hole is factory installed.

APPLICATIONS

Specially designed for the following uses:

- Homes, rural water districts, parks and dewatering
- Sewage lift station
- Anywhere waste or drainage must be disposed of quickly, quietly and efficiently
- Waste drainage in new additions below sewer line.

SPECIFICATIONS

Basin:

- Roll top polyethylene
- Usable capacity: 14 gallons
- Dimensions: 18" w x 30" h
- Inlet: 4" inlet grommet
- Shipping weight: 33 lbs.

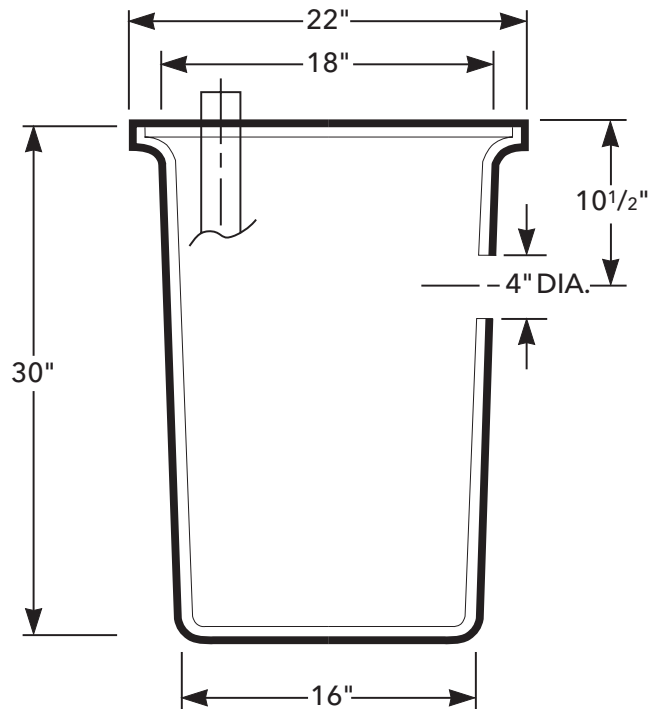
18" X 30" ROLL TOP POLY BASIN WITH STRUCTURAL FOAM OR STEEL COVER

Kit Order Number		Basin	Cover	Check Valve	Discharge Pipe	Torque Stop Insert
CWK21	Includes	Roll Top 18" dia. x 30" deep polyethylene basin with 4" pipe grommet inlet	18" structural foam cover with bolts, seal tape, cord grommet, and (2) 2" and (1) 3" vent and dis- charge grommets	2" rubber sleeve type model A9-2PH	Sch 40 PVC 2" dia. x 30" long discharge pipe	Basin torque stop insert
CWK22				2" compression type model A9-2P		
CWK23			18" epoxy coated steel cover with (2) 2" vent and dis- charge grommets	2" rubber sleeve type model A9-2PH		

BASIN KIT COMPONENTS

	Replacement Part Order Number*
• Roll Top Polyethylene Basin 18" x 30".	A7PE1830
• Structural Foam 18" Diameter Cover Assembly (includes bolts, seal tape, cord grommet and (1) 3" and (2) 2" grommets).	A8SF18
OR	
• Steel 18" Diameter Cover with Epoxy Coating (includes bolts, seal tape, cord grommet and (2) 2" grommets).	A8ST18
• Swing Style Check Valve (2 choices)	
• 2" Compression Type	A9-2P
• 2" Full Flow Rubber Sleeve Style	A9-2PH
• Sch 40 PVC Discharge Pipe 2" D x 30" L.	ADP2030
• Roll Top Basin 18" Torque Stop Insert.	ATS18
• Basin Inlet Grommet.	A8-4U
• Vent and Discharge Grommets* (to purchase separately from cover assembly).	
• 2" (pipe) x 4" (cover hole) Grommet	*A8-24U
• 3" (pipe) x 4" (cover hole) Grommet (use only on SF Cover)	*A8-3U

* These order numbers should only be used to order replacement parts as it will be much less expensive to order the "kit" versus all components.



Xylem |'zīləm|

- 1) The tissue in plants that brings water upward from the roots;
- 2) a leading global water technology company.

We're 12,500 people unified in a common purpose: creating innovative solutions to meet our world's water needs. Developing new technologies that will improve the way water is used, conserved, and re-used in the future is central to our work. We move, treat, analyze, and return water to the environment, and we help people use water efficiently, in their homes, buildings, factories and farms. In more than 150 countries, we have strong, long-standing relationships with customers who know us for our powerful combination of leading product brands and applications expertise, backed by a legacy of innovation.

For more information on how Xylem can help you, go to www.xylem.com



Xylem, Inc.
2881 East Bayard Street Ext., Suite A
Seneca Falls, NY 13148
Phone: (866) 325-4210
Fax: (888) 322-5877
www.xylem.com/brands/centripro

CentriPro is a trademark of Xylem Inc. or one of its subsidiaries.
© 2012 Xylem, Inc. BCPCWK21 R5 April 2012