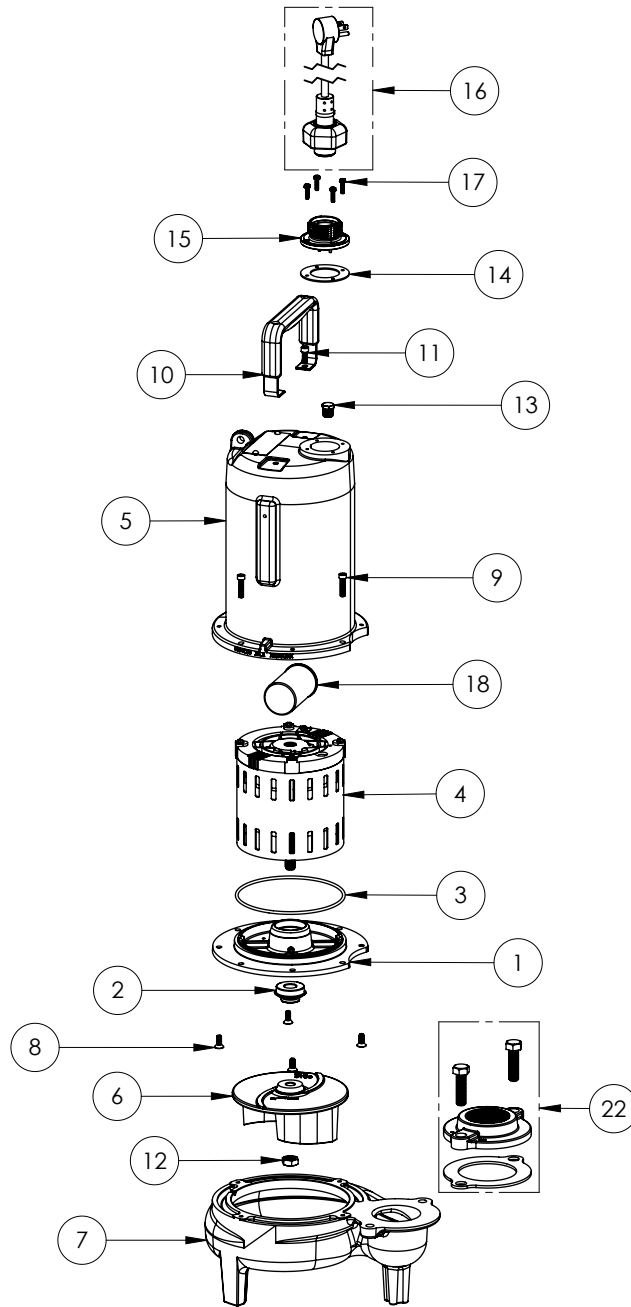


LE71M2-3 (B72)



LE71M2-3**LE71M2-3 (B72)**

#	PART #	DESCRIPTION	QTY	Note
1	53260BR	MOTOR SUPPORT PLATE	1	
2	K001717	KIT, 5/8 UNITIZED 5120000 AND LIP SEAL 5860000	1	
3	5617000	O-RING	1	
4	5329000	MOTOR	1	[1]
5	531400R	MOTOR COVER	1	[1]
6	5130000	IMPELLER, CAST IRON	1	
7	531500R	VOLUTE HOUSING	1	
8	8018000	1/4-20 x 5/8 SLOTTED FLAT HEAD BOLT	4	
9	8091000	1/4-20 x 1 HEX SOCKET HEAD BOLT	4	
10	3411200	HANDLE	1	
11	8103000	SCREW 1/4-20x5/8" HX SKT SS	2	
12	8046000	1/2-20 HEX STAINLESS STEEL JAM NUT	1	
13	50710A0	PIPE PLUG, 1/4" HEX HD BRASS NPTF	1	
14	5060000	CORD PLATE GASKET	1	
15	K001216	5619000, CORDPLATE	1	
16	K001432	POWER CORD 58900C0, 115V, 35 FT.	1	
17	8064000	#8-32 x 5/8 HEX WASHER HEAD SCREW	4	
18	51190F0	CAPACITOR	1	
22	K001221	2" DISCHARGE KIT	1	

PART NOTES:

[1] - Part requires factory authorized service. Contact Liberty Pumps at 1-800-543-2550