

Series RV

2" 1HP Grinder Pump
Manual and Automatic

BARNES®

www.cranepumps.com

Submersible Grinder Pumps



Specifications:

DISCHARGE	2" NPT
LIQUID TEMPERATURE	104°F (40°C) Continuous
VOLUTE	Cast Iron ASTM A-48, Class 30
MOTOR HOUSING	Cast Iron ASTM A-48, Class 30
SEAL PLATE	Cast Iron ASTM A-48, Class 30
IMPELLERS: <i>Design</i>	Semi-open, With Pump Out Vanes On Back Side. Dynamically Balanced, ISO G6.3.
<i>Material</i>	Bronze
CUTTER PLATE	Hardened 440C Stainless Steel Rockwell® C-55.
CUTTER	Hardened 440C Stainless Steel, Rockwell® C-55.
SHAFT	416 Stainless Steel
SQUARE RINGS	Buna-N
HARDWARE	300 Series Stainless Steel
PAINT	Powder Coat
SEAL: <i>Design</i>	Single Mechanical
<i>Material</i>	Rotating Faces - Silicon-Carbide Stationary Faces - Silicon-Carbide Elastomer - Buna-N Hardware -300 Series Stainless
CORD ENTRY	20 ft.
CORD <i>Manual</i>	CSA/UL Approved, 14/3 Type SJTOW
UPPER BEARING:	
<i>Design</i>	Single Row, Ball
<i>Lubrication</i>	Oil
<i>Load</i>	Radial & Thrust
LOWER BEARING:	
<i>Design</i>	Single Row, Ball
<i>Lubrication</i>	Oil
<i>Load</i>	Radial & Thrust
MOTOR: <i>Design</i>	NEMA L-Single Phase Torque Curve, Oil-Filled, Squirrel Cage Induction (includes overload protection in the motor),
<i>Insulation</i>	Class F
SINGLE PHASE	Capacitor Start/Capacitor Run.
OPTIONAL EQUIPMENT	Float

Series: RV
1HP, 3450RPM, 60Hz



DESCRIPTION:

THE GRINDER PUMP IS DESIGNED TO REDUCE DOMESTIC SEWAGE TO A FINELY GROUND SLURRY.



WARNING:
CANCER AND REPRODUCTIVE HARM -
WWW.P65WARNINGS.CA.GOV



SECTION 3B
PAGE B
DATE 8/20

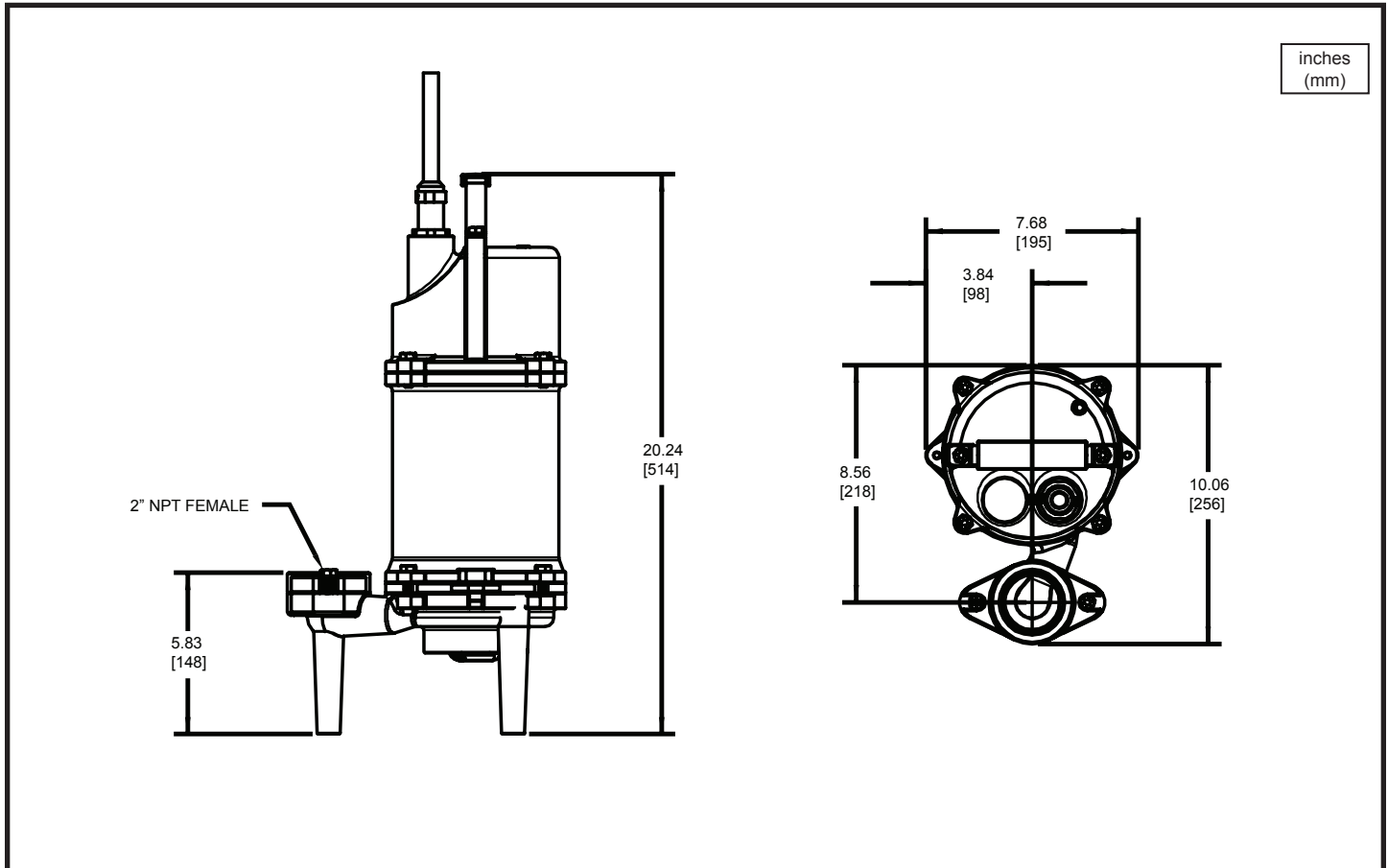
CRANE®

A Crane Co. Company

PUMPS & SYSTEMS

USA: (937) 778-8947 • Canada: (905) 457-6223 • International: (937) 615-3598

Submersible Grinder Pumps



MODEL NO	PART NO	HP	VOLT	PH/Hz	RPM (Nom)	NEMA START CODE	FULL LOAD AMPS	LOCKED ROTOR AMPS	CORD SIZE	CORD TYPE	CORD O.D. ± .02 (.5) in (mm)
RV101	145469	1	115	1/60	3450	G	12	43.0	14/3	SJTOW	0.33in (8.38mm)
RV101A*	145469A										
RV102	145470	1	230	1/60	3450	G	6	31.40	14/3	SJTOW	0.33in (8.38mm)
RV102A*	145470A										

* NOTE: Model is automatic and includes a float.

IMPORTANT !

- 1.) PUMP MAY BE OPERATED "DRY" FOR EXTENDED PERIODS WITHOUT DAMAGE TO MOTOR AND/OR SEALS.
- 2.) INSTALLATIONS SUCH AS DECORATIVE FOUNTAINS OR WATER FEATURES PROVIDED FOR VISUAL ENJOYMENT MUST BE INSTALLED IN ACCORDANCE WITH THE NATIONAL ELECTRIC CODE ANSI/NFPA 70 AND/OR THE AUTHORITY HAVING JURISDICTION. THIS PUMP IS NOT INTENDED FOR USE IN SWIMMING POOLS, RECREATIONAL WATER PARKS, OR INSTALLATIONS IN WHICH HUMAN CONTACT WITH PUMPED MEDIA IS A COMMON OCCURRENCE.

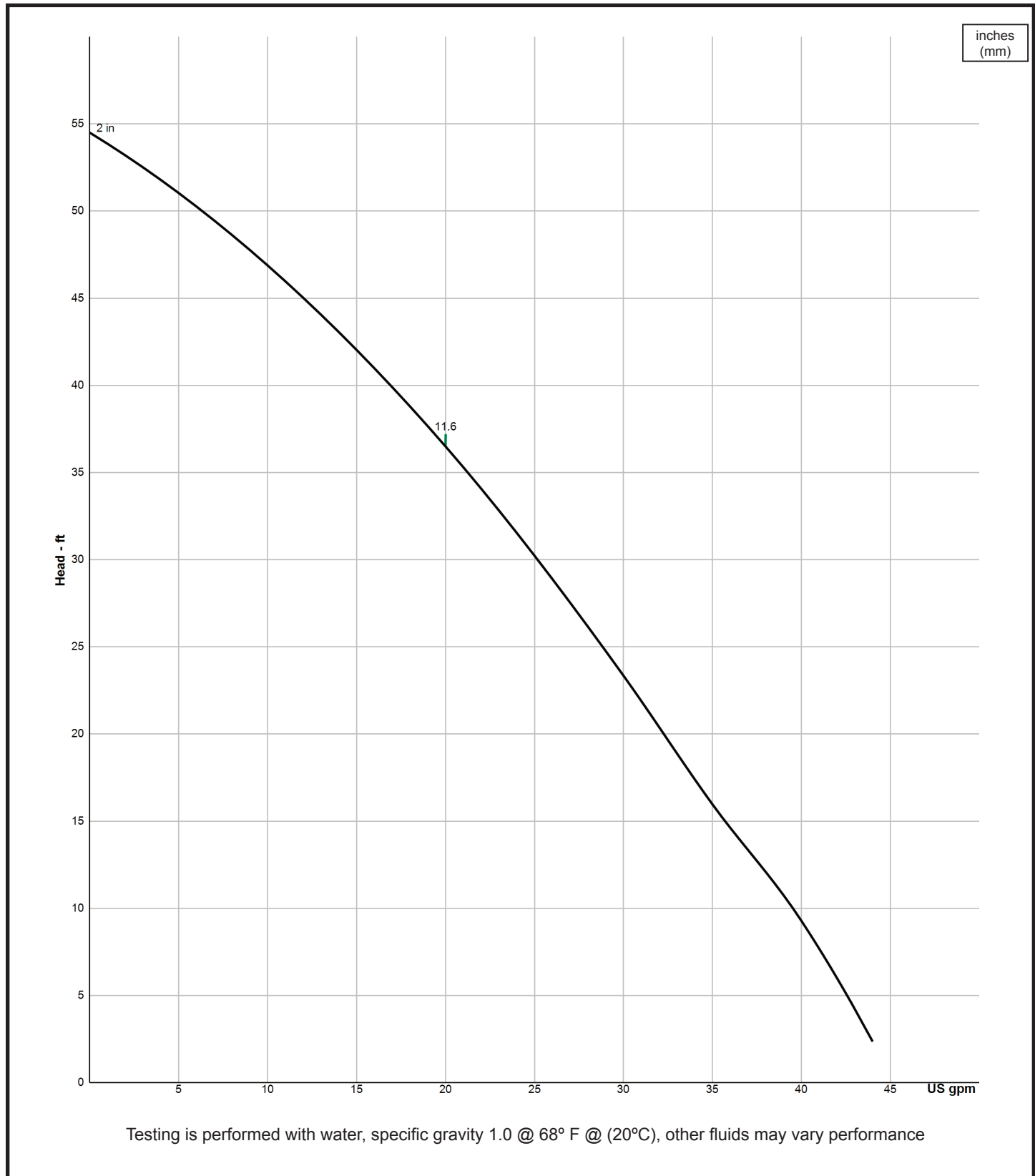
RV101

Performance Curve
1HP, 3450RPM, 60Hz, 120V

BARNES®

www.cranepumps.com

Submersible Grinder Pumps



SECTION 3B
PAGE D
DATE 8/20

CRANE®

A Crane Co. Company

PUMPS & SYSTEMS

USA: (937) 778-8947 • Canada: (905) 457-6223 • International: (937) 615-3598

Submersible Grinder Pumps

