



**REPAIR PARTS**  
RSES R20

# Effluent, Sewage and Grinder

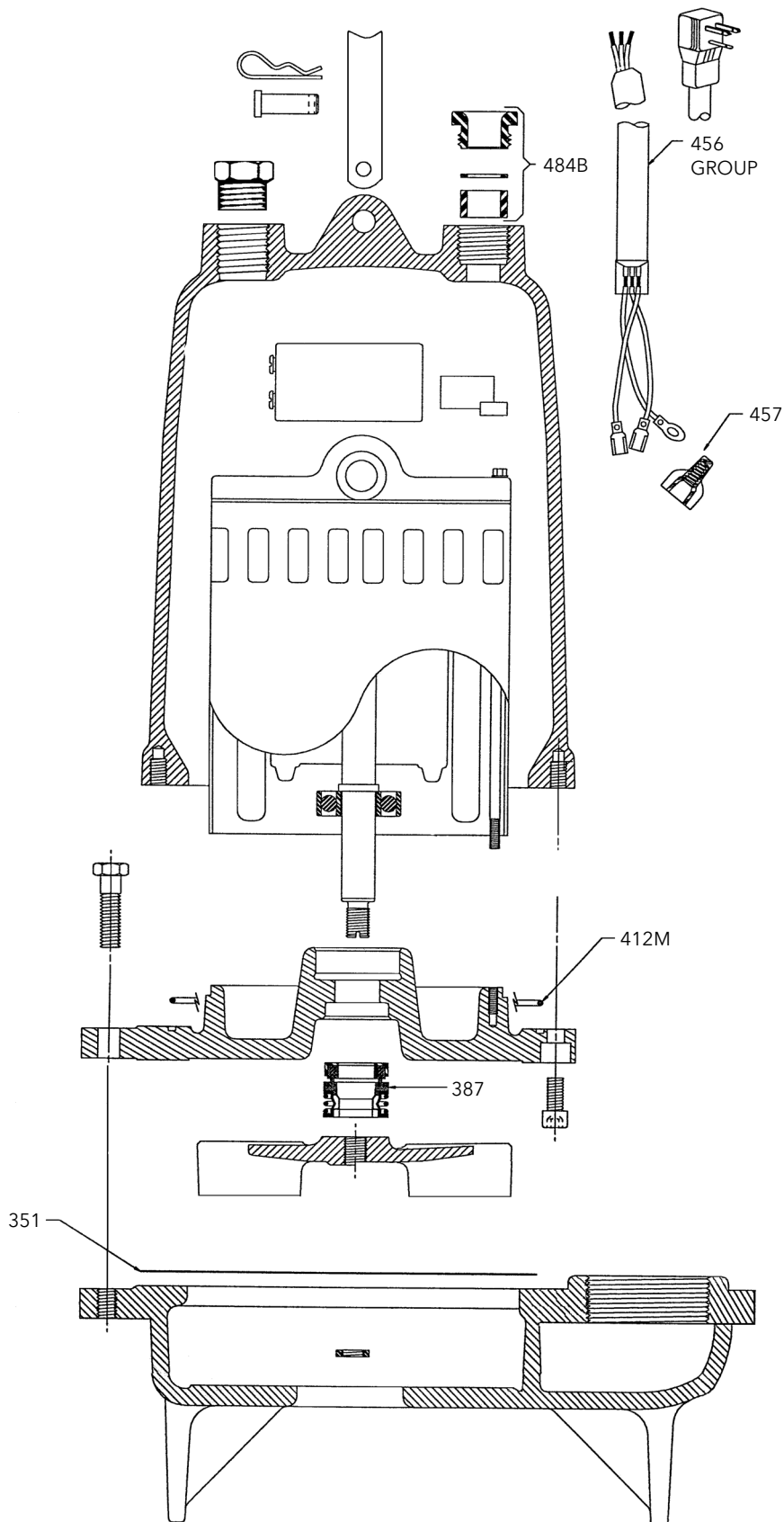
REPAIR PARTS



**INDEX**

3885 (WE --- L, M, H, HH).....3  
2ED .....5  
3886/3887 (WS - B, BF, BHF).....7  
3887BF (WS - BF) .....8  
3887BHF (WS ---- BHF) .....8  
2WD/3WD ..... 10  
3888D3/D4 (WS --- D3, D4)..... 11  
3SD/4SD ..... 12  
3SDX/4SDX..... 13  
1GD ..... 15  
4NS/4XD ..... 17  
RGS2012 ..... 19  
AGS..... 20  
1GA/2GA ..... 20  
Oil Volumes ..... 21

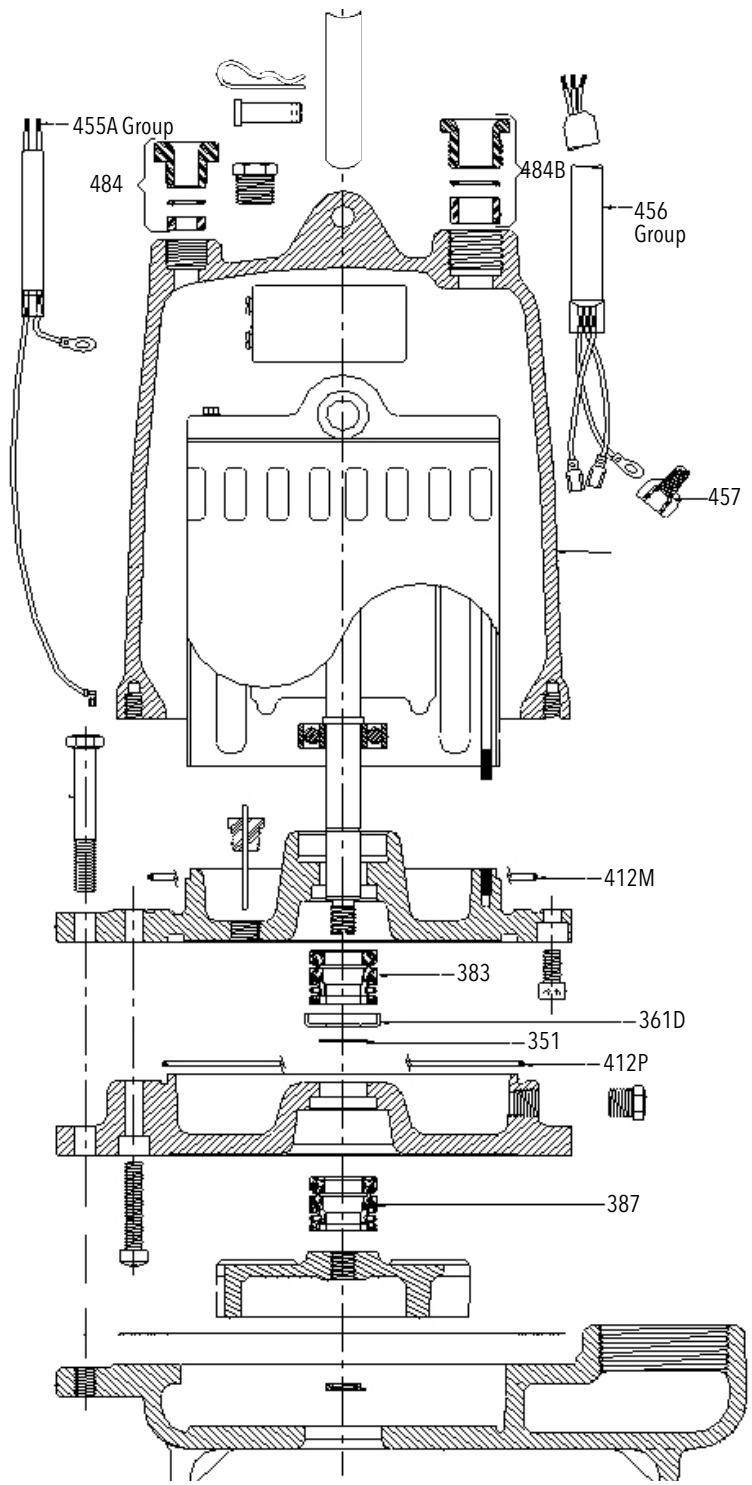
### MODEL 3885 - WE SERIES



### MODEL 3885

Item No.	Part Description	Qty. Reqd.	Repair Parts Order Number
351/387/412M	Repair Kit (Gasket/Shim Set/ Mechanical Seal/O-Ring)	1	WEREPKIT
457/484B/456	20 Ft. Power Cable Kit 1PH: 1/3HP, 115V; standard with plug/Strain Relief Assembly	1	WWPOWKIT1
	20 Ft. Power Cable Kit 1PH: 1/2HP, 115V; standard with plug/Strain Relief Assembly		WWPOWKIT2
	20 Ft. Power Cable Kit 1PH: 1/3HP & 1/2HP, 208V & 230V; standard with plug/Strain Relief Assembly		WWPOWKIT3
	20 Ft. Power Cable Kit 1PH: 3/4HP & 1HP, 208V & 230V; standard with plug/Strain Relief Assembly		WWPOWKIT4
	20 Ft. Power Cable Kit 1PH: 1 1/2HP, 208V & 230V; with bare leads/Strain Relief Assembly		WWPOWKIT5
	20 Ft. Power Cable Kit 1PH: 2HP, 230V; with bare leads/ Wire Nuts/Strain Relief Assembly		WWPOWKIT6
	20 Ft. Power Cable Kit 3PH: 1/2HP-2HP, 200-230/460/575V; with bare leads/Wire Nuts/Strain Relief Assembly		WWPOWKIT7

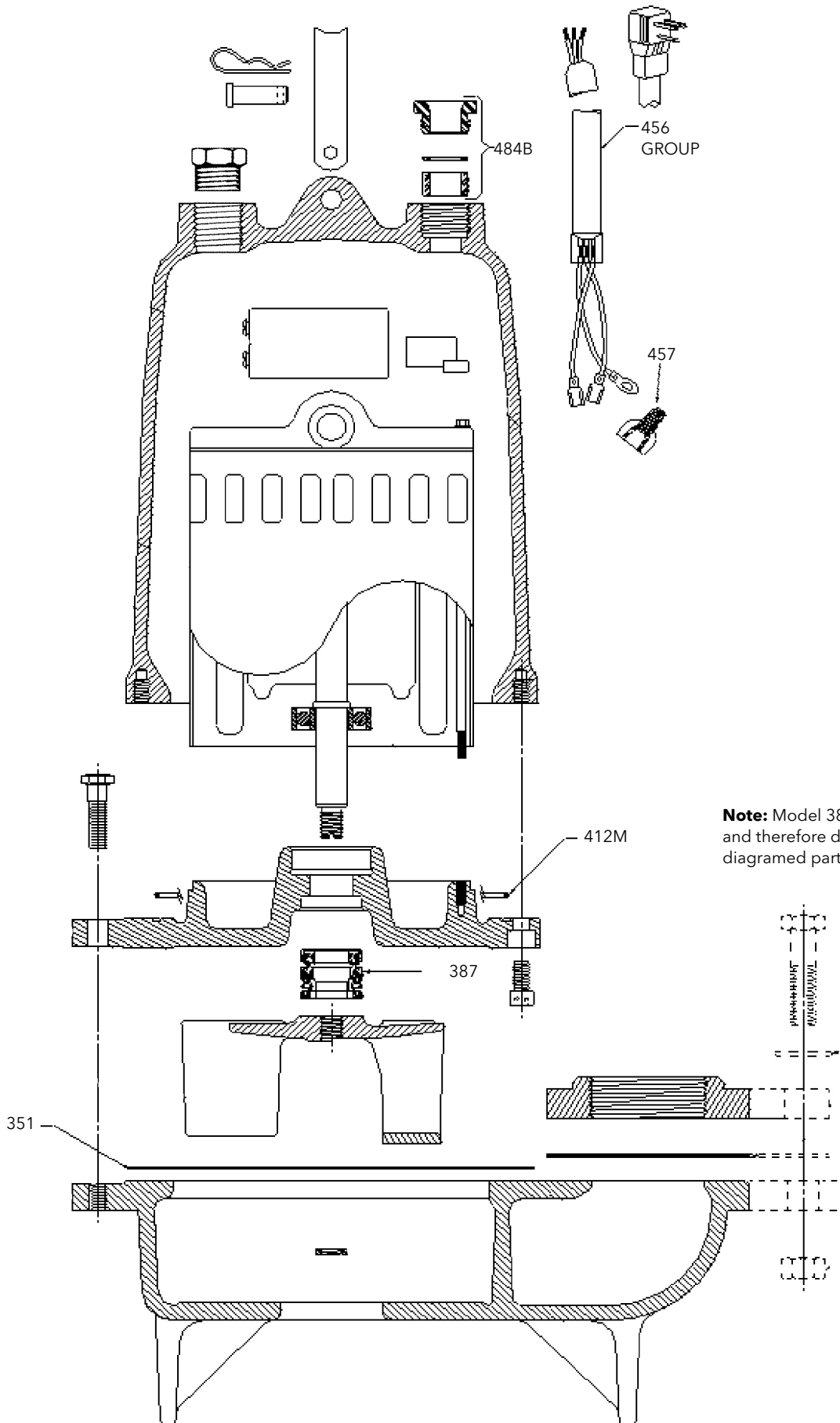
### MODEL 2ED



### MODEL 2ED

Item No.	Part Description	Qty. Reqd.	Repair Parts Order Number
351,361,361D,383,387,412M,412P	Repair Kit-Gasket/Shim Set/Retaining Ring/Seal Retainer/Mechanical Seals/O-Rings	1	2EDREPKIT
456,457,484B	20 Ft. Power Cable Kit 1PH: 1/3HP, 115V; standard with plug/Strain Relief Assembly	1	WWPOWKIT1
	20 Ft. Power Cable Kit 1PH: 1/2HP, 115V; standard with plug/Strain Relief Assembly		WWPOWKIT2
	20 Ft. Power Cable Kit 1PH: 1/3HP & 1/2HP, 208V & 230V; standard with plug/Strain Relief Assembly		WWPOWKIT3
	20 Ft. Power Cable Kit 1PH: 1 1/2HP, 208V & 230V; with bare leads/Strain Relief Assembly		WWPOWKIT5
	20 Ft. Power Cable Kit 3PH: 1/2HP-1 1/2HP, 200-230/460/575V; with bare leads/Wire Nuts/Strain Relief Assembly		WWPOWKIT7
455A/457/484	20 Ft. Mechanical Seal Sensor: Standard/Wire Nuts/Strain Relief Assembly	1	WWSENKIT1
	20 Ft. Seal/Heat Sensor: Optional for 3 Phase Models/Wire Nuts/Strain Relief Assembly	1	WWSENKIT2

### MODELS 3886, 3887 (WS\_B, WS\_BF, WS\_BHF)



### MODEL WSB

Item No.	Part Description	Qty. Reqd.	Repair Parts Order Number
351/387/412M	Repair Kit (Gasket/Mechanical Seal/O-Ring)	1	WSBBFREPKIT
457/484B/456	20 Ft. Power Cable Kit 1PH: 1/3HP, 115V; standard with plug/Strain Relief Assembly	1	WWPOWKIT1
	20 Ft. Power Cable Kit 1PH: 1/2HP, 115V; standard with plug/Strain Relief Assembly		WWPOWKIT2
	20 Ft. Power Cable Kit 1PH: 1/3HP & 1/2HP, 208V & 230V; standard with plug/Strain Relief Assembly		WWPOWKIT3
	20 Ft. Power Cable Kit 1PH: 3/4HP & 1HP, 208V & 230V; standard with plug/Strain Relief Assembly		WWPOWKIT4
	20 Ft. Power Cable Kit 3PH: 1/2HP-1HP, 200-230/460/575V; with bare leads/Wire Nuts/Strain Relief Assembly		WWPOWKIT7

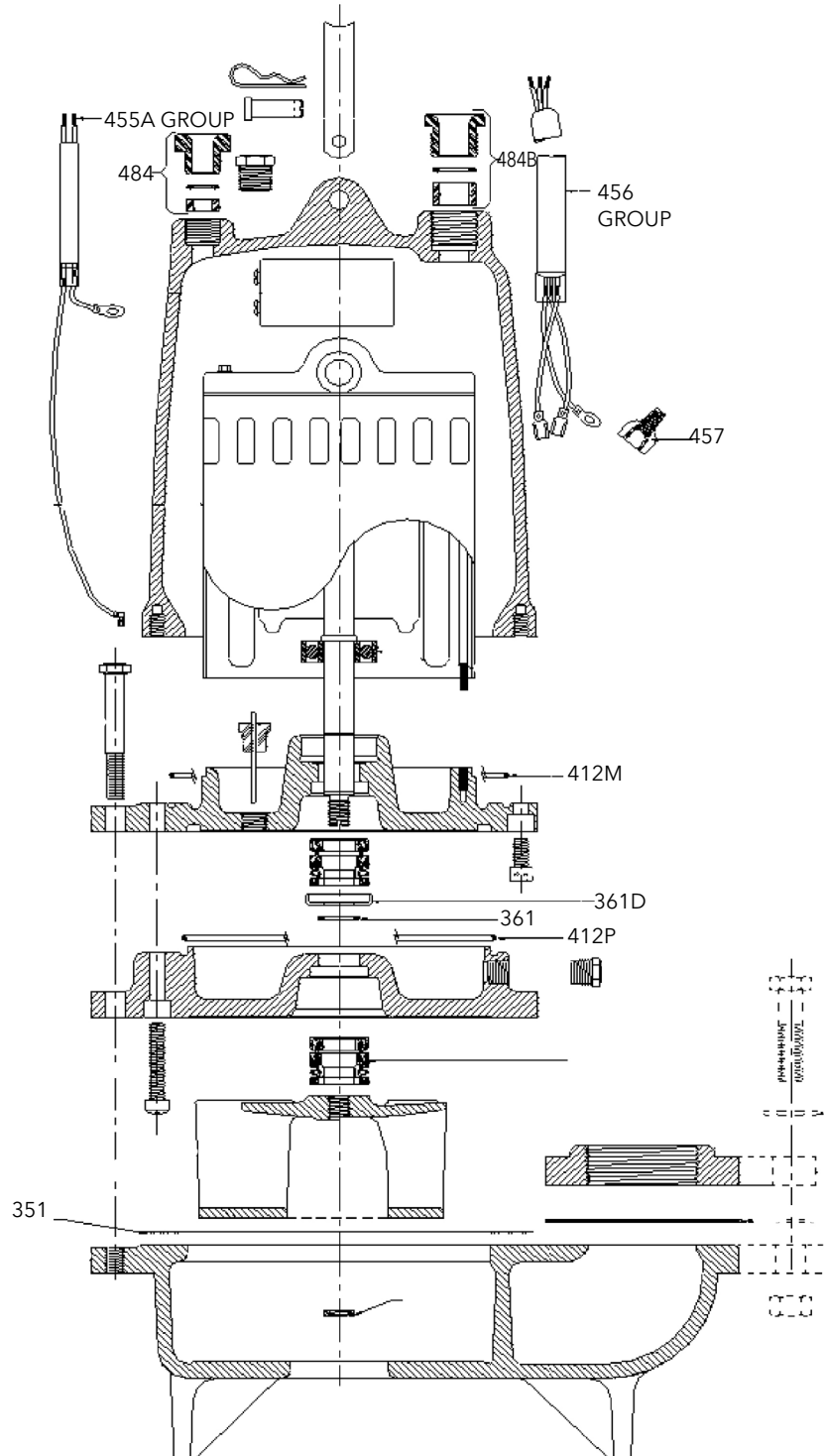
### MODEL 3887 (WS\_BF)

Item No.	Part Description	Qty. Reqd.	Repair Parts Order Number
351/387/412M	Repair Kit (Gasket/Mechanical Seal/O-Ring)	1	WSBBFREPKIT
457/484B/456	20 Ft. Power Cable Kit 1PH: 1/3HP, 115V; standard with plug/Strain Relief Assembly	1	WWPOWKIT1
	20 Ft. Power Cable Kit 1PH: 1/2HP, 115V; standard with plug/Strain Relief Assembly		WWPOWKIT2
	20 Ft. Power Cable Kit 1PH: 1/3HP & 1/2HP, 208V & 230V; standard with plug/Strain Relief Assembly		WWPOWKIT3
	20 Ft. Power Cable Kit 1PH: 3/4HP & 1HP, 208V & 230V; standard with plug/Strain Relief Assembly		WWPOWKIT4
	20 Ft. Power Cable Kit 3PH: 1/2HP-1HP, 200-230/460/575V; with bare leads/Wire Nuts/Strain Relief Assembly		WWPOWKIT7

### MODEL 3887 (WS\_BHF)

Item No.	Part Description	Qty. Reqd.	Repair Parts Order Number
351/387/412M	Repair Kit (Gasket/Mechanical Seal/O-Ring)	1	WSBHFREPKIT
457/484B/456	20 Ft. Power Cable Kit 1PH: 1/3HP, 115V; standard with plug/Strain Relief Assembly	1	WWPOWKIT1
	20 Ft. Power Cable Kit 1PH: 1/2HP, 115V; standard with plug/Strain Relief Assembly		WWPOWKIT2
	20 Ft. Power Cable Kit 1PH: 1/3HP & 1/2HP, 208V & 230V; standard with plug/Strain Relief Assembly		WWPOWKIT3
	20 Ft. Power Cable Kit 1PH: 3/4HP & 1HP, 208V & 230V; standard with plug/Strain Relief Assembly		WWPOWKIT4
	20 Ft. Power Cable Kit 1PH: 2HP, 230V; with bare leads/Wire Nuts/Strain Relief Assembly		WWPOWKIT6
	20 Ft. Power Cable Kit 3PH: 1/2HP-2HP, 200-230/460/575V; with bare leads/Wire Nuts/Strain Relief Assembly		WWPOWKIT7

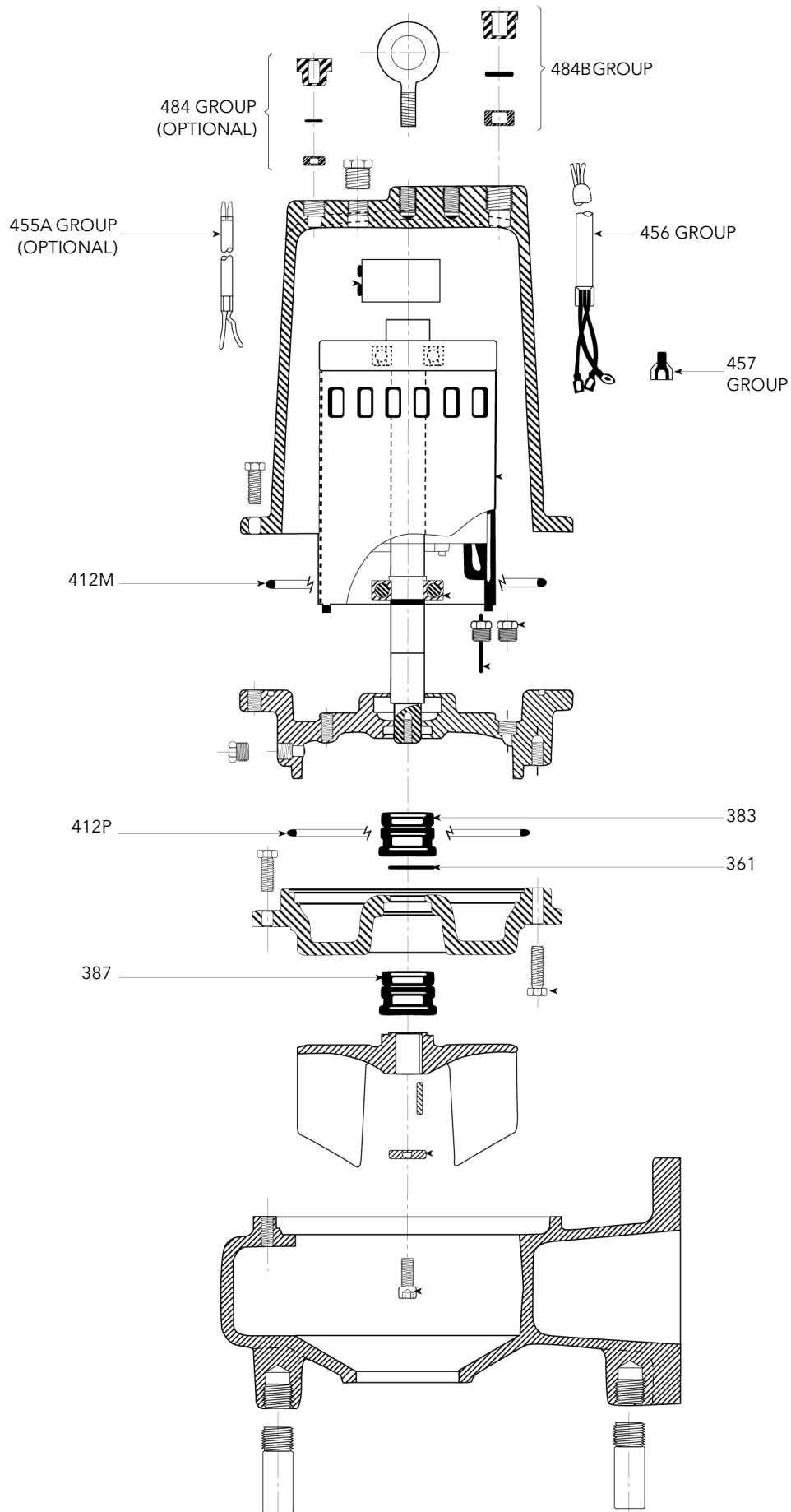
### MODEL 2WD/3WD



### MODEL 2WD/3WD

Item No.	Part Description	Qty. Reqd.	Repair Parts Order Number
351,361,361D, 412M,412P	Repair Kit:Gasket/Retaining Ring/Seal Retainer/Mechanical Seals/O-Rings	1	2WDREPKIT
456,457,484B	20 Ft. Power Cable Kit 1PH: 1/3HP, 115V; standard with plug/Strain Relief Assembly	1	WWPOWKIT1
	20 Ft. Power Cable Kit 1PH: 1/2HP, 115V; standard with plug/Strain Relief Assembly		WWPOWKIT2
	20 Ft. Power Cable Kit 1PH: 1/3HP & 1/2HP, 208V & 230V; standard with plug/Strain Relief Assembly		WWPOWKIT3
	20 Ft. Power Cable Kit 1PH: 1HP, 208V & 230V; with bare leads/Strain Relief Assembly		WWPOWKIT5
	20 Ft. Power Cable Kit 3PH: 1/2-1HP,200-230/460/575/v with bare leads/Wire Nuts/Strain Relief Assembly		WWPOWKIT7
455A/457/484	20 Ft. Mechanical Seal Sensor: Standard for All models/Wire Nuts/Strain Relief Assembly	1	WWSENKIT1
	20 Ft. Seal/Heat Sensor: Optional for 3 Phase Models/Wire Nuts/Strain Relief Assembly	1	WWSENKIT2

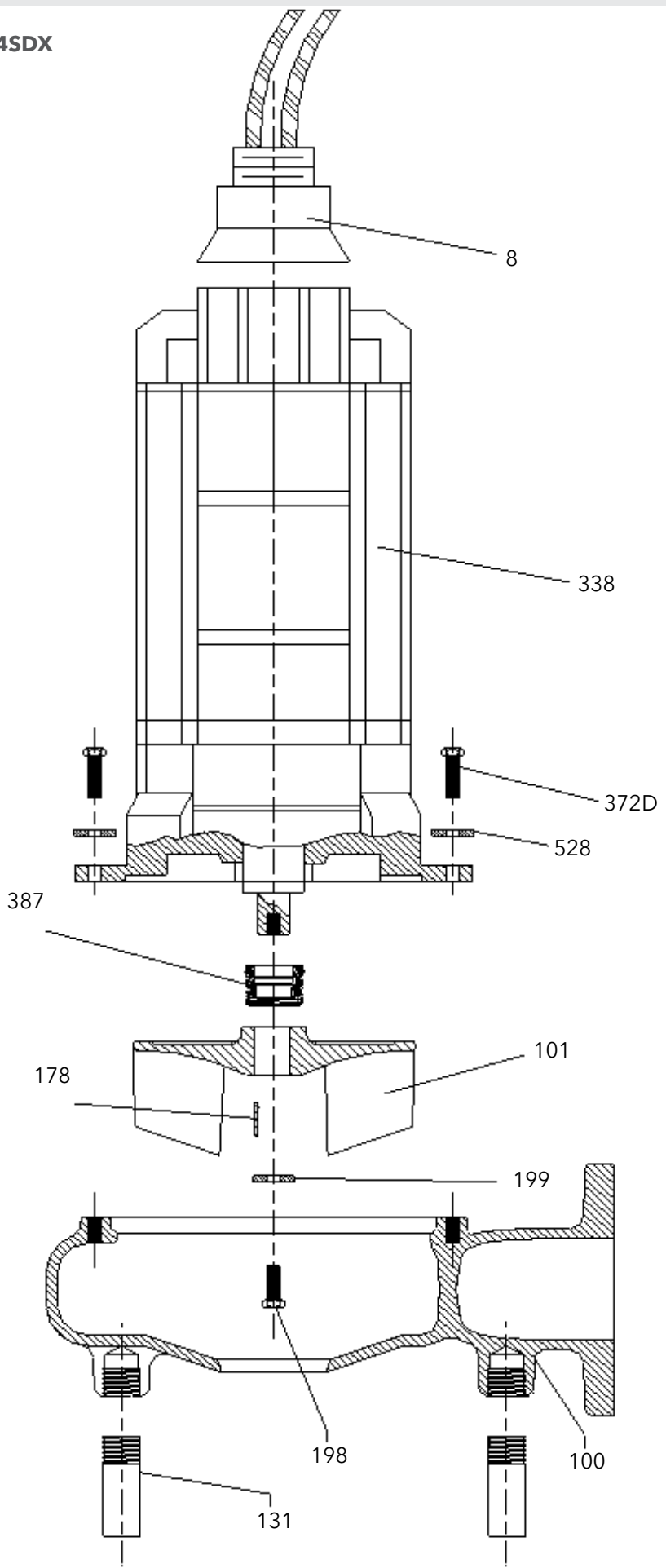
### MODELS 3888D3/3SD, 3888D4/4SD



### MODELS 3888D3/3SD, 3888D4/4SD

Item No.	Part Description	Qty. Reqd.	Repair Parts Order Number
361/383/387/ 412M/412P	Repair Kit (Retaining Ring/Mechanical Seal/O-Rings)	1	3888SDREPKIT
457/484B/456	20 Ft. Power Cable Kit 1PH: 1.1/2HP and 2HP, 230V, standard with bare leads/Wire Nuts/Strain Relief Assembly	1	WWPOWKIT6
	20 Ft. Power Cable Kit 1PH: 2HP,3HP and 5HP, 208V, standard with bare leads/Wire Nuts/Strain Relief Assembly	1	WWPOWKIT8
	20 Ft. Power Cable Kit 3PH:1.1/2HP, 2HP,3HP(except 200V) and 5HP,460V,575V-bare leads/Wire Nuts/Strain Relief Assembly	1	WWPOWKIT7
	20 Ft. Power Cable Kit 3PH:3HP,200V,5HP 200/230V and all 7.1/2HP- bare leads/Wire Nuts/Strain Relief Assembly	1	WWPOWKIT9
455A/457/484	20 Ft. Mechanical Seal Sensor: Standard on 3SD and 4SD. (N/A on 3888D3 nor 3888D4)/Wire Nuts/Strain Relief Assembly	1	WWSENKIT1
	20 Ft. Seal/Heat Sensor: Optional on 3SD and 4SD/Wire Nuts/Strain Relief Assembly	1	WWSENKIT2

### MODELS 3SDX/4SDX



### MODELS 3SDX/4SDX

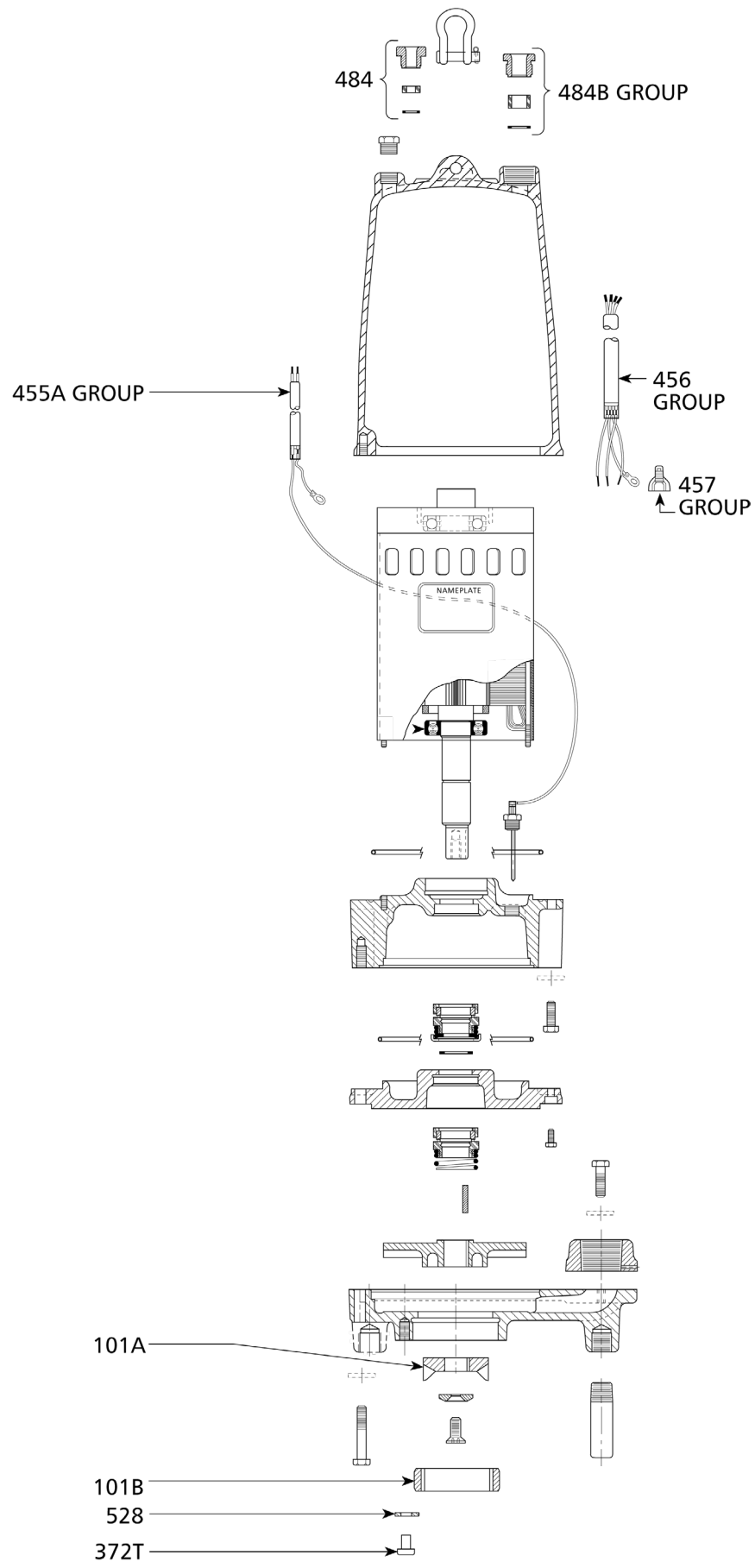
Item No.	Part Description	Material	Qty. Req'd.	Repair Parts Order Number					Max. Wt. (lbs.)
				1750 RPM					
				1½ HP	2 HP	3 HP	5 HP	7½ HP	
100	Casing - 3SDX	Cast Iron	1	1K429					35.0
	Casing - 4SDX			1K428					53.0
101	Impeller - 3SDX	Cast Iron	1	2K918 5 <sup>13</sup> / <sub>16</sub> "	2K916 6 <sup>1</sup> / <sub>8</sub> "	2K914 6 <sup>3</sup> / <sub>4</sub> "	2K912 7 <sup>5</sup> / <sub>8</sub> "	2K910 8 <sup>5</sup> / <sub>16</sub> "	
	Impeller - 3SDX	Bronze		2K919 5 <sup>13</sup> / <sub>16</sub> "	2K917 6 <sup>1</sup> / <sub>8</sub> "	2K915 6 <sup>3</sup> / <sub>4</sub> "	2K913 7 <sup>5</sup> / <sub>8</sub> "	2K911 8 <sup>5</sup> / <sub>16</sub> "	
	Impeller - 4SDX	Cast Iron		N/A	2K904 5 <sup>11</sup> / <sub>16</sub> "	2K906 6 <sup>5</sup> / <sub>16</sub> "	2K908 7 <sup>1</sup> / <sub>8</sub> "	2K532 7 <sup>11</sup> / <sub>16</sub> "	
	Impeller - 4SDX	Bronze			2K905 5 <sup>11</sup> / <sub>16</sub> "	2K907 6 <sup>5</sup> / <sub>16</sub> "	2K909 7 <sup>1</sup> / <sub>8</sub> "	2K533 7 <sup>11</sup> / <sub>16</sub> "	
131	Foot - Standard	Steel	3	4K42					-
	Foot - Optional	Cast Iron	1 Kit	4K625					-
178	Impeller Key	AISI 300 SS	1	4K11					-
198	Impeller Bolt	17-4 PH	1	13K48					-
199	Impeller Washer	AISI 300 SS	1	13L39					-
338	Motor	Stainless Steel	1	278-72 12	278-72 22	278-72 32	N/A	N/A	180TY
				278-72 13	278-72 23	278-72 33	278-72 43	278-72 53	200 lbs.
				278-72 14	278-72 24	278-72 34	278-72 44	278-72 54	Air Filled
				278-72 15	278-72 25	278-72 35	278-72 45	278-72 55	
				278-72 16	278-72 26	278-72 36	278-72 46	278-72 56	
372D	Hex Cap Screw - Casing to Motor	AISI 300 SS	8	13K304					-
387	Mechanical Seal - Standard	Carbon/Ceramic	1	10K137 (180TY)					-
	Mechanical Seal - Optional	Silicon/Silicon	1	10K134 (180TY)					
	Mechanical Seal - Optional	Silicon/Tungsten	1	10K135 (180TY)					
528	Lockwasher	AISI 300 SS	8	13K158					-

Reliance	Part Description	Material	Quantity	Repair No.	Motor Frame
Motor Repair Parts	Mechanical Seal Kit - Upper & Lower	Carbon/Ceramic	1 Set	10K183	180TY
	Bearing Kit - Upper & Lower	Steel	1 Set	4K700	
	O-Ring Kit	BUNA-N	1 Set	5K422	

Item No.	Models 3SDX/4SDX, Power and Control Cap/Cables	Type and AWG Size	Standard length	Optional Lengths	Wt. (lbs./5 ft.)
			25'	50'	
8	1 PH: 1½, 2 and 3 HP, 230V, 180TY	SOW, SOOW - 8/4	9K359	9K360	
	3 PH: 5 HP, 200-230/460V, 180TY	SOW, SOOW - 12/4	9K365	9K366	
	3 PH: 7½ HP, 200-230/460V, 180TY	SOW, SOOW - 10/4	9K367	9K368	
	3 PH: 5 and 7½ HP, 575V, 180TY	SOW, SOOW - 14/4	9K363	9K364	
	3 PH: 1½, 2 and 3 HP, 200, 230, 460, 575V, 180TY	SOW, SOOW - 14/4	9K363	9K364	

Control Cable is AWG Size 18/5 - SOW.

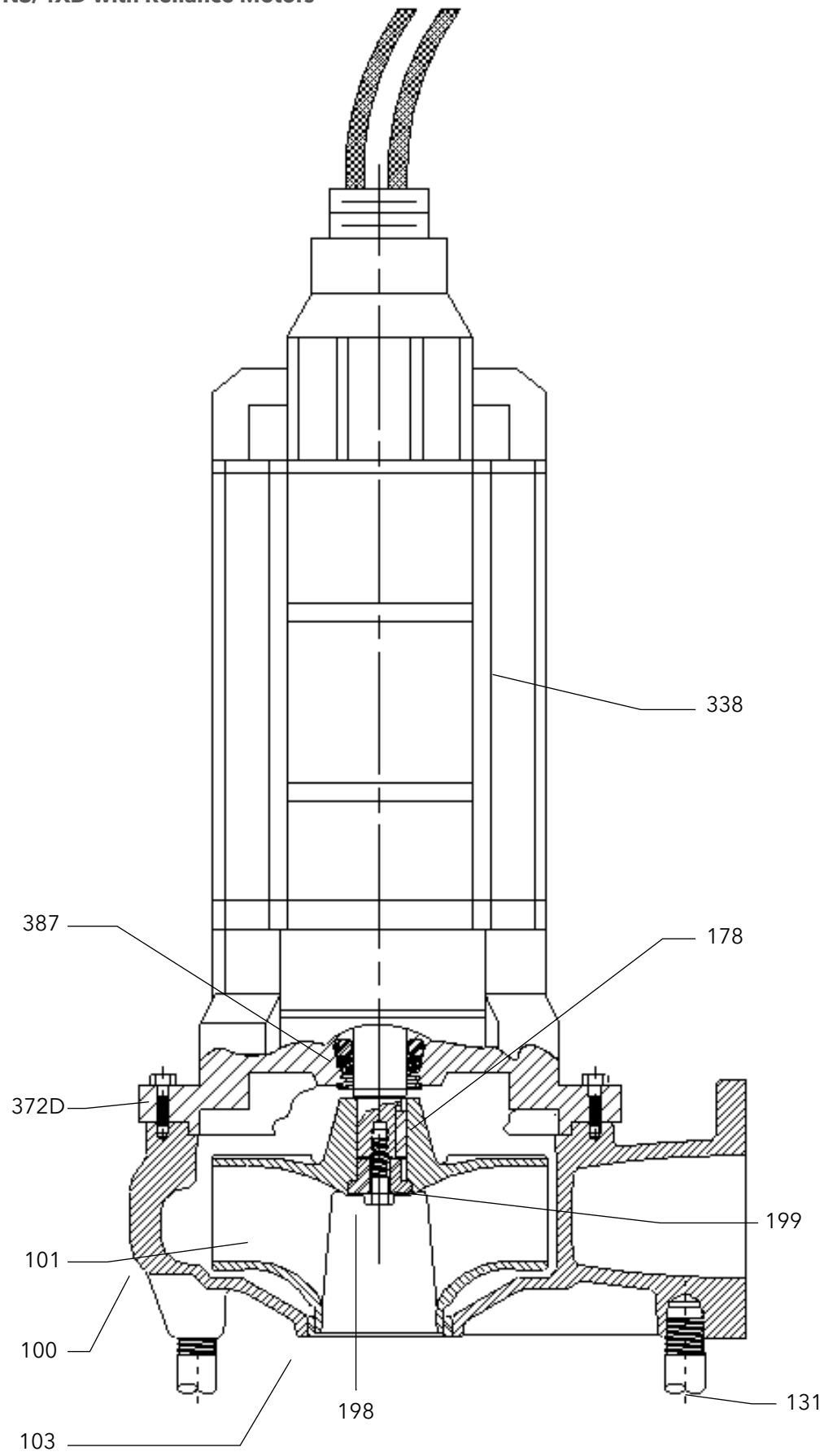
### MODEL 1GD



### MODEL 1GD

Item No.	Part Description	Qty. Reqd.	Repair Parts Order Number
101A,101B, 372T,528	Cutter/Cutter Ring/Hex Cap Screw-Cutter Ring Retainer/ Washer-Cutter Ring Retainer	1	1GDCUTKIT
456,457,484B	20 Ft. Power Cable Kit-1 and 3PH:2HP,200-230/460/575V with bare leads/Wire Nuts/Strain Relief Assembly	1	WWPOWKIT7
455A/457/484	20 Ft. Mechanical Seal Sensor: Optional	1	WWSENKIT1
	20 Ft. Heat Sensor: 3 Phase Only (Optional)/Wire Nuts/ Strain Relief Assembly	1	WWSENKIT1
	20 Ft. Mechanical Seal/Heat Sensor: 3 Phase Only (Optional)/Wire Nuts/Strain Relief Assembly	1	WWSENKIT2

### MODELS 4NS/4XD with Reliance Motors



### MODELS 4NS/4XD with Reliance Motors

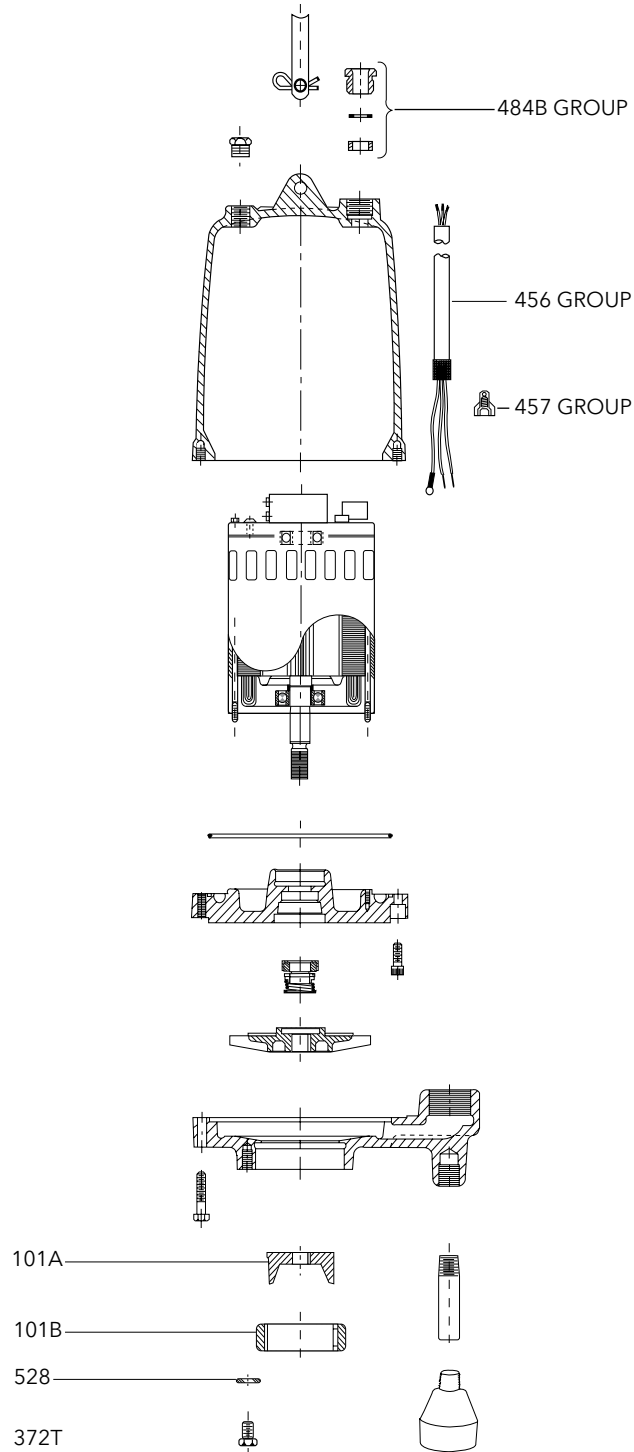
Item No.	Part Description	Material	Qty. Reqd.	Repair Parts Order Number								Max. Wt. (lbs.)	
				1750 RPM						1150 RPM			
				7½ HP	10 HP	15 HP	20 HP	25 HP	30 HP	40 HP	7½ HP		10 HP
100	Casing - with Wear Ring	Cast Iron	1	1K326								75.0	
101	Impeller - 4NS/4XD	Cast Iron		2K781 7½"	2K779 8"	2K776 9"	2K774 9¾"	2K772 10⅝"	2K771 10¾"	2K770 11"	2K773 10⅝"	2K770 11"	21.5-
	Impeller - 4NS/4XD	Bronze		2K795 7½"	2K793 8"	2K790 9"	2K788 9¾"	2K786 10⅝"	2K785 10¾"	2K784 11"	2K787 10⅝"	2K784 11"	25.0-
103	Casing Wear Ring	Bronze	1	4K264								2.0	
131	Foot - Standard	Steel	3	4K367 (Old), 4K42 (New)								2.0	
	Foot - Optional	Cast Iron	1 Kit	4K625								-	
178	Impeller Key	AISI 300 SS	1	4K392								-	
198	Impeller Bolt	AISI 300 SS	1	13K275								-	
199	Impeller Washer	AISI 300 SS	1	4K431								-	
338	Motor	3 Phase, 200V	Replace 279-26 with 279-27 for UL listed Explosion Proof Motor. Index Suffixes are the same.	279-261 (210TY)	279-2611 (210TY)	279-2621 (210TY)	279-2631 (210TY)	279-2641 (250TYS)	279-2651 (250TYS)	279-2661 (250TYS)	279-2671 (210TY)	279-2681 (210TY)	210TY 315 lbs. Air Filled 250TYS 750 lbs. Air Filled
		3 Phase, 230V		279-262 (210TY)	279-2612 (210TY)	279-2622 (210TY)	279-2632 (210TY)	279-2642 (250TYS)	279-2652 (250TYS)	279-2662 (250TYS)	279-2672 (210TY)	279-2682 (210TY)	
		3 Phase, 400V		279-263 (210TY)	279-2613 (210TY)	279-2623 (210TY)	279-2633 (210TY)	279-2643 (250TYS)	279-2653 (250TYS)	279-2663 (250TYS)	279-2673 (210TY)	279-2683 (210TY)	
		3 Phase, 460V		279-264 (210TY)	279-2614 (210TY)	279-2624 (210TY)	279-2634 (210TY)	279-2644 (250TYS)	279-2654 (250TYS)	279-2664 (250TYS)	279-2674 (210TY)	279-2684 (210TY)	
		3 Phase, 575V		279-265 (210TY)	279-2615 (210TY)	279-2625 (210TY)	279-2635 (210TY)	279-2645 (250TYS)	279-2655 (250TYS)	279-2665 (250TYS)	279-2675 (210TY)	279-2685 (210TY)	
372D	Hex Cap Screw - Casing to Motor	AISI 300 SS	8	13K45								-	
387	Mechanical Seal - Standard	Carbon/Ceramic	1	10K157			10K160			10K157		-	
	Mechanical Seal - Optional	Silicon/Silicon	1	10K158			10K161			10K158			
	Mechanical Seal - Optional	Silicon/Tungsten	1	10K159			10K162			10K159			

Power and Control Cap/Cables for Reliance Motors	Type and AWG Size	Standard length	Optional Lengths	Wt. (lbs./5 ft.)
		25'	50'	
	SOW, SOOW 14/4	9K423	9K431	
SOW, SOOW 12/4	9K424	9K432		
SOW, SOOW 10/4	9K425	9K433		
SOW, SOOW 8/4	9K426	9K434		
SOW, SOOW 6/4	9K427	9K435		
SOW, SOOW 4/4	9K428	9K436		
SOW, SOOW 2/4	9K429	9K437		
SOW, SOOW 1/0/4	9K430	9K438		

Control Cable is AWG Size 18/5 - SOW-A, SO.

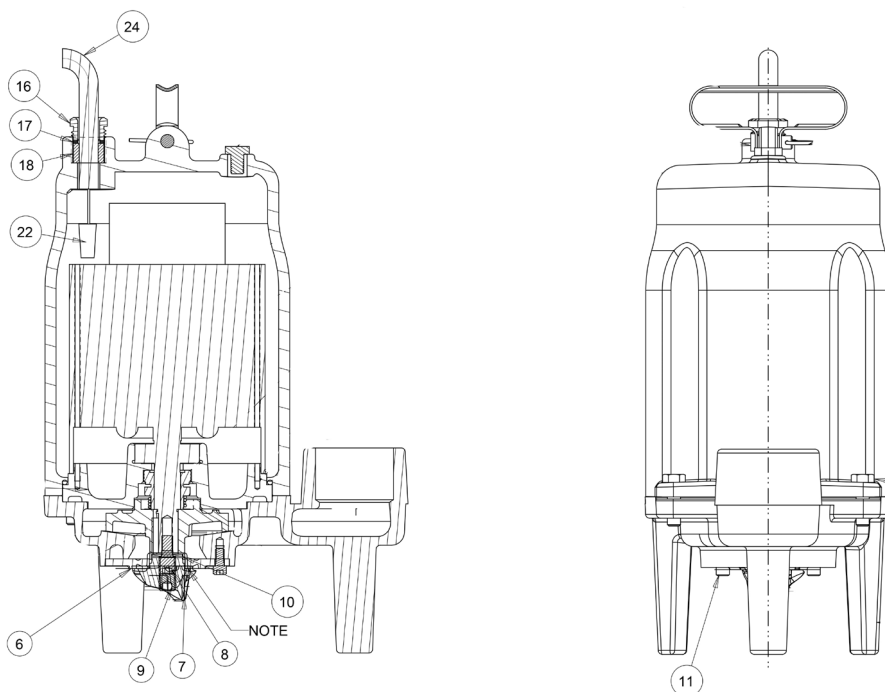
Reliance	Part Description	Material	Quantity	Repair No.	Motor Frame	Repair No.	Motor Frame
Motor Repair Parts	Mechanical Seal Kit - Upper & Lower	Carbon/Ceramic	1 Set	10K181	210TY	10K182	250TY
	Bearing Kit - Upper & Lower	Steel	1 Set	4K698		4K699	
	O-Ring Kit	BUNA-N	1 Set	5K420		5K421	

### MODEL RGS2012

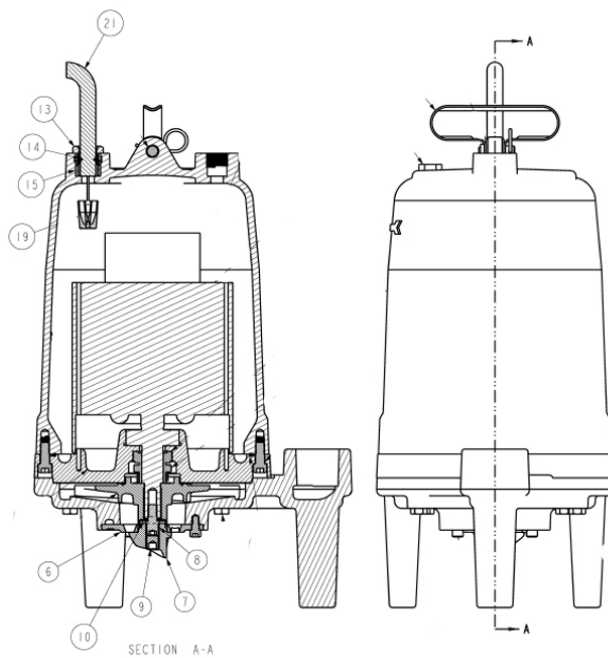


Item No.	Part Name	Qty.	Repair Parts Order Number
101A,101B, 372T,528	Cutter Ring Assembly	1	RGSCUTKIT
456,457, 484B	20 Ft.Power Cord As- sembly	1	RGSPOWKIT

### MODEL AGS05/AGS10



### MODEL AGS2012



Item No.	Part Description	Qty. Reqd.	AGS0511	AGS0512	AGS1011	AGS1012	AGS2012	
6,7,8,9,10,11	Cutter Ring Assembly	1	15L64					
(AGS05/AGS10) 16,17,18,22,24	20 Ft. Power Cord Assembly	1	AGSPOWKIT1	AGSPOWKIT2	AGSPOWKIT1	AGSPOWKIT2	N/A	
(AGS20)13,14, 15,19,21			N/A					AGSPOWKIT3

**NOTE:** 0.004" -0.006" clearance between Cutter wheel and cutter ring

### MODELS 1GA/2GA

Pump	Impeller Code	Phase	Impeller	Repair Kit	Inner Seal	Outer Seal	Cutter Wheel	Cutter Ring
3 hp	H	1	2K1227	5K481	10K201	10K208	4K812	4K814
3 hp	L	1	2K1228					4K818
5.4 hp	G	1	2K1229	5K482	10K202	10K207	4K813	4K817
5.4 hp	K	1	2K1230					4K816
9.4 hp	F	1	2K1460	5K480	10K204	10K205		4K1608
9.4 hp	J	1	2K1225					4K819
4 hp	C	3	2K1222	5K505	10K201	10K206	4K812	4K814
6 hp	B	3	2K1223	5K482	10K202	10K207	4K813	4K817
6 hp	E	3	2K1224					4K816
11 hp	A	3	2K1226	5K480	10K204	10K205		4K817
11 hp	D	3	2K1460					4K816

Repair Kit includes: Seals, O-rings, Bearings

### EFFLUENT, SEWAGE AND GRINDER OIL VOLUMES

Model	Oil Volume - Motor Housing	Oil Volume - Seal Housing
	Quarts	Quarts
3885 (WE's)	3.90	N/A
2ED's	3.90	0.40
3886 (WS—B)	3.90	N/A
3887BF (WS—BF)	3.90	N/A
3887BHF (WS—BHF)	3.90	N/A
2/3WD's	3.90	0.40
3888D3 (WS—D3)	7.00	1.70
3SD's	7.00	1.70
3888D4 (WS—D4)	7.00	1.50
4SD's	7.00	1.50
3888D4 (WS—D4) - 7½ hp	6.00	1.50
4SD's - 7½ hp	6.00	1.50
RGS2012	3.90	N/A
1GD - Single Phase	3.55	0.90
1GD - Three Phase	3.90	0.90
AGS	3.90	N/A

Noco T-32 oil is standard.

**Note:** Normally a minimum of a 1" air gap at the top of the motor/seal housing should be maintained due to thermal expansion of the oil.

#### 4K432 OIL SPECIFICATION:

5 gallon can of ASTM 150 Turbine Oil

#### COMPARABLE BRAND NAMES:

Sunoco	Sunvis 932
Mobil	DTE Light
Texaco	Regal R&O 32
Shell	Turbo 32
Gulf	Harmony 32
Amoco	Am. Industries Oil 32
Exxon	Nuto 32
Chevron	GST 32

Please contact Customer Service for part information: Phone (866) 325-4210 or Fax (888) 322-5877 (toll free).

**NOTES**

**NOTES**

# Xylem |'zīləm|

- 1) The tissue in plants that brings water upward from the roots;
- 2) a leading global water technology company.

We're a global team unified in a common purpose: creating advanced technology solutions to the world's water challenges. Developing new technologies that will improve the way water is used, conserved, and re-used in the future is central to our work. Our products and services move, treat, analyze, monitor and return water to the environment, in public utility, industrial, residential and commercial building services settings. Xylem also provides a leading portfolio of smart metering, network technologies and advanced analytics solutions for water, electric and gas utilities. In more than 150 countries, we have strong, long-standing relationships with customers who know us for our powerful combination of leading product brands and applications expertise with a strong focus on developing comprehensive, sustainable solutions.

**For more information on how Xylem can help you, go to [www.xylem.com](http://www.xylem.com)**



Xylem Inc.  
2881 East Bayard Street Ext., Suite A  
Seneca Falls, NY 13148  
Phone: (866) 325-4210  
Fax: (888) 322-5877  
[www.xylem.com/goulds](http://www.xylem.com/goulds)

Xylem is a registered trademark of Xylem Inc. or one of its subsidiaries. Goulds is a registered trademark of ITT Manufacturing Enterprises LLC and is used under license. All other trademarks or registered trademarks are property of their respective owners.  
© 2024 Xylem Inc. RSES R20 July 2024