



# TYPE "B" SINGLE STAGE CENTRIFUGAL PUMP Electric Motor Drive

|                   |                 |
|-------------------|-----------------|
| Section           | CC              |
| Page              | 160.1           |
| Date              | January 1, 2004 |
| Supersedes 6/1/95 |                 |

**CAST IRON IMPELLER**

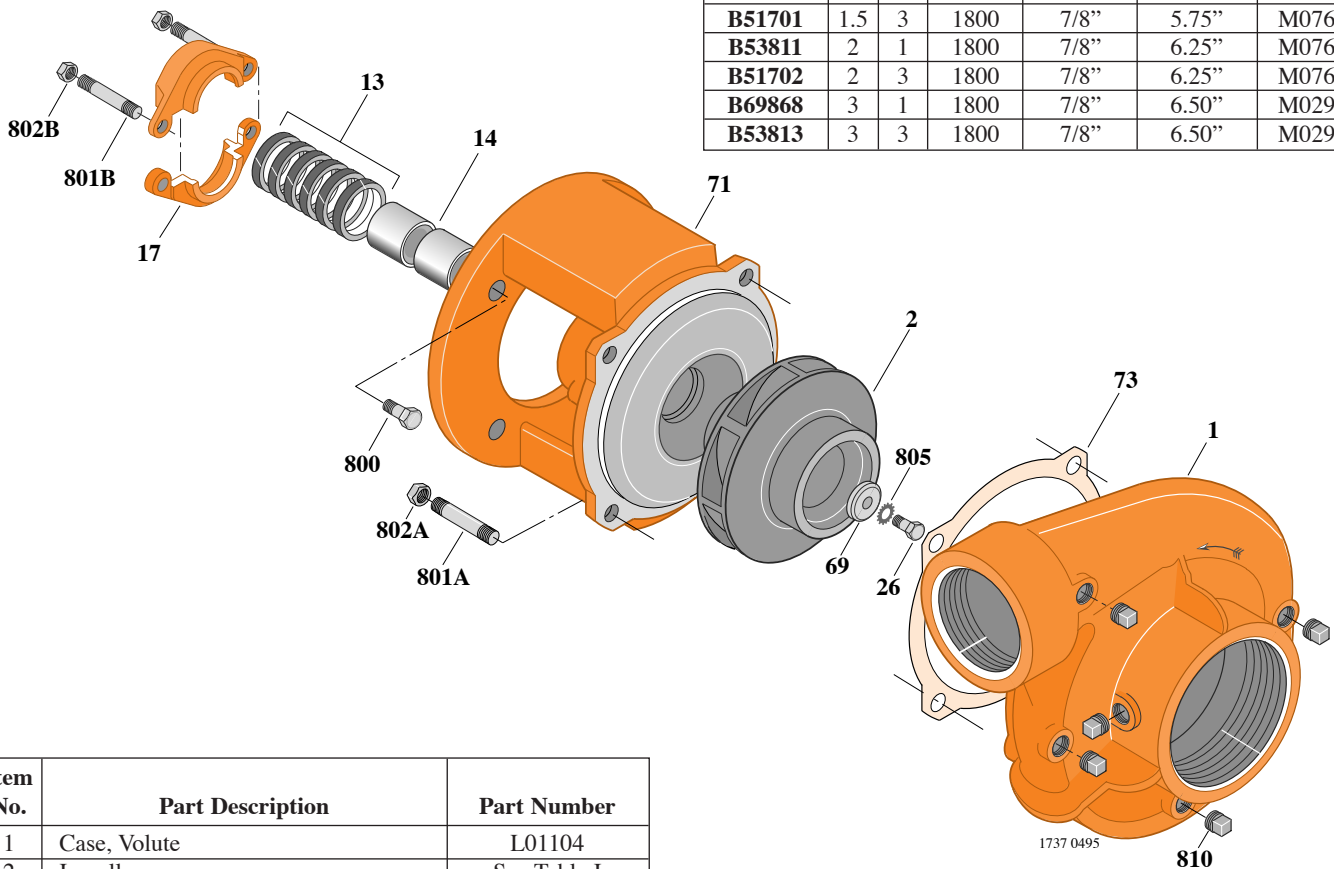
**B3TPM**

**Threaded Case (NPT)**

**Packing Construction**

**TABLE I**

| B/M No.       | HP  | PH | RPM  | "U" Dim. | Imp. Dia. | Imp. No. |
|---------------|-----|----|------|----------|-----------|----------|
| <b>B51696</b> | 1   | 1  | 1800 | 7/8"     | 5.12"     | M07652   |
| <b>B51700</b> | 1   | 3  | 1800 | 7/8"     | 5.12"     | M07652   |
| <b>B51697</b> | 1.5 | 1  | 1800 | 7/8"     | 5.75"     | M07653   |
| <b>B51701</b> | 1.5 | 3  | 1800 | 7/8"     | 5.75"     | M07653   |
| <b>B53811</b> | 2   | 1  | 1800 | 7/8"     | 6.25"     | M07654   |
| <b>B51702</b> | 2   | 3  | 1800 | 7/8"     | 6.25"     | M07654   |
| <b>B69868</b> | 3   | 1  | 1800 | 7/8"     | 6.50"     | M02959   |
| <b>B53813</b> | 3   | 3  | 1800 | 7/8"     | 6.50"     | M02959   |



| Item No. | Part Description                   | Part Number  |
|----------|------------------------------------|--------------|
| 1        | Case, Volute                       | L01104       |
| 2        | Impeller                           | See Table I  |
| 13       | Rings, Packing (Set of 6)          | S13469       |
| 14       | Sleeve, Shaft (2 Req.)             | S00619       |
| 17       | Gland, Packing                     | B82469       |
| 26       | Screw, Impeller 3/8 - 16 x 1"      | S23566       |
| 32       | Key, 3/16 x 1-1/4" (See Note)      | S34383       |
| 69       | Washer, Impeller                   | S06314       |
| 71       | Bracket                            | See Table II |
| 73       | Gasket, Volute                     | S04757       |
| 800      | Capscrew, 3/8 - 16 x 7/8" (4 Req.) | S26825       |
| 801A     | Stud, 1/2 - 13 x 1-1/2" (4 Req.)   | S24043       |
| 801B     | Stud, 3/8 - 16 x 4" (2 Req.)       | S08303       |
| 802A     | Nut, Hex 1/2 - 13 (4 Req.)         | S23107       |
| 802B     | Nut, Hex 3/8 - 16 (2 Req.)         | S23343       |
| 805      | Washer, Lock                       | S23706       |
| 810      | Plug, Pipe 1/4 NPT (5 Req.)        | S23715       |

**TABLE II**

| HP  | PH | Bracket No. | "AK" Fit | "U" Dim. | Motor Frame |
|-----|----|-------------|----------|----------|-------------|
| 1   | 1  | L01525      | 4-1/2"   | 7/8"     | 143JP       |
| 1   | 3  | L01525      | 4-1/2"   | 7/8"     | 143JP       |
| 1.5 | 1  | L01525      | 4-1/2"   | 7/8"     | 145JP       |
| 1.5 | 3  | L01525      | 4-1/2"   | 7/8"     | 145JP       |
| 2   | 1  | L01525      | 4-1/2"   | 7/8"     | 182JP       |
| 2   | 3  | L01525      | 4-1/2"   | 7/8"     | 145JP       |
| 3   | 1  | L01525      | 4-1/2"   | 7/8"     | 184JP       |
| 3   | 3  | L01525      | 4-1/2"   | 7/8"     | 182JP       |

**NOTE:** For an explanation of the tabulated material found on this page and for impeller key location, refer to *Supplement A* located at the beginning of this section.



# TYPE "B" SINGLE STAGE CENTRIFUGAL PUMP Electric Motor Drive

|                   |                 |
|-------------------|-----------------|
| Section           | CC              |
| Page              | 160.2           |
| Date              | January 1, 2004 |
| Supersedes 6/1/95 |                 |

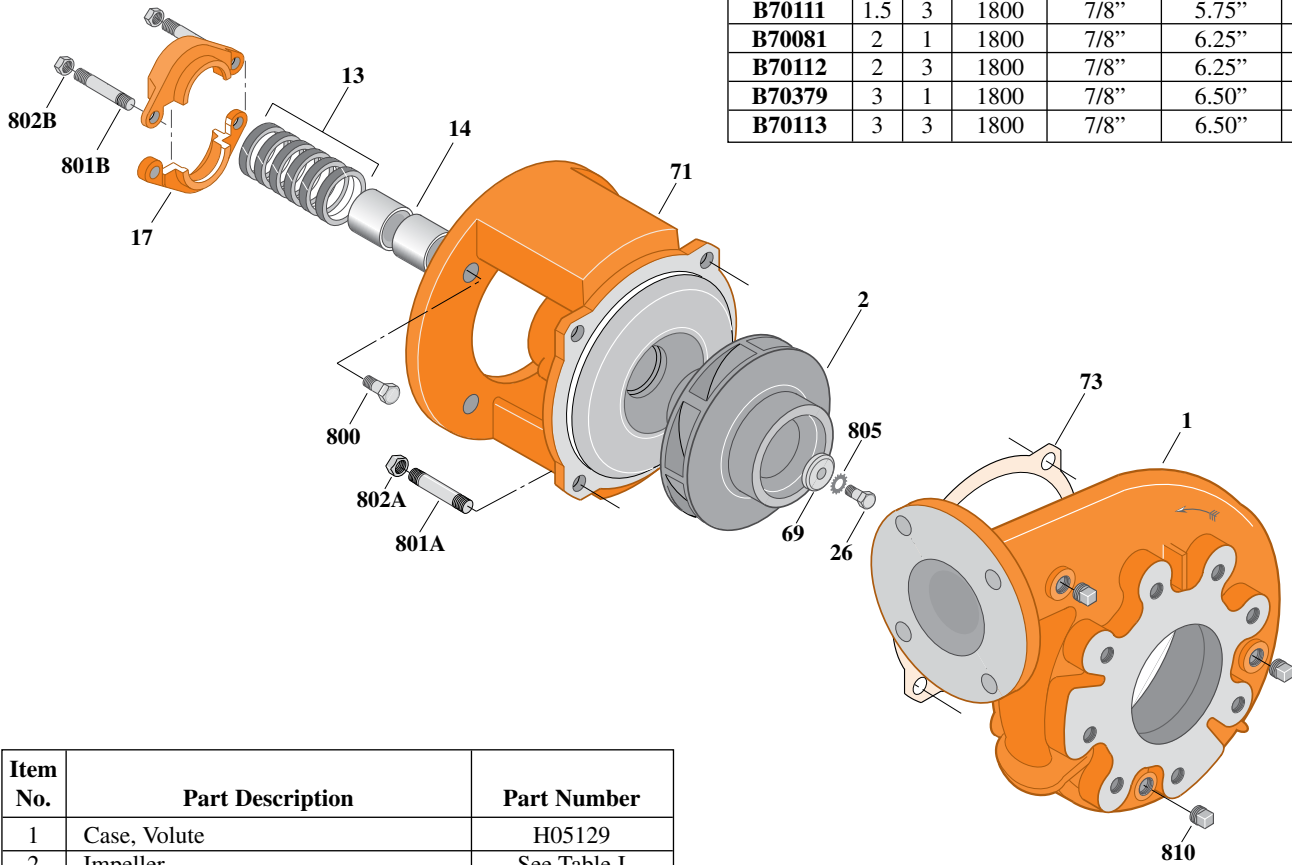
## CAST IRON IMPELLERB3TPM

### Flanged Case

### Packing Construction

**TABLE I**

| B/M No.       | HP  | PH | RPM  | "U" Dim. | Imp. Dia. | Imp. No. |
|---------------|-----|----|------|----------|-----------|----------|
| <b>B70074</b> | 1   | 1  | 1800 | 7/8"     | 5.12"     | M07652   |
| <b>B70110</b> | 1   | 3  | 1800 | 7/8"     | 5.12"     | M07652   |
| <b>B70078</b> | 1.5 | 1  | 1800 | 7/8"     | 5.75"     | M07653   |
| <b>B70111</b> | 1.5 | 3  | 1800 | 7/8"     | 5.75"     | M07653   |
| <b>B70081</b> | 2   | 1  | 1800 | 7/8"     | 6.25"     | M07654   |
| <b>B70112</b> | 2   | 3  | 1800 | 7/8"     | 6.25"     | M07654   |
| <b>B70379</b> | 3   | 1  | 1800 | 7/8"     | 6.50"     | M02959   |
| <b>B70113</b> | 3   | 3  | 1800 | 7/8"     | 6.50"     | M02959   |



| Item No. | Part Description                   | Part Number  |
|----------|------------------------------------|--------------|
| 1        | Case, Volute                       | H05129       |
| 2        | Impeller                           | See Table I  |
| 13       | Rings, Packing (Set of 6)          | S13469       |
| 14       | Sleeve, Shaft (2 Req.)             | S00619       |
| 17       | Gland, Packing                     | B82469       |
| 26       | Screw, Impeller 3/8 - 16 x 1"      | S23566       |
| 32       | Key, 3/16 x 1-1/4" (See Note)      | S34383       |
| 69       | Washer, Impeller                   | S06314       |
| 71       | Bracket                            | See Table II |
| 73       | Gasket, Volute                     | S04757       |
| 800      | Capscrew, 3/8 - 16 x 7/8" (4 Req.) | S26825       |
| 801A     | Stud, 1/2 - 13 x 1-1/2" (4 Req.)   | S24043       |
| 801B     | Stud, 3/8 - 16 x 4" (2 Req.)       | S08303       |
| 802A     | Nut, Hex 1/2 - 13 (4 Req.)         | S23107       |
| 802B     | Nut, Hex 3/8 - 16 (2 Req.)         | S23343       |
| 805      | Washer, Lock                       | S23036       |
| 810      | Plug, Pipe 1/4 NPT                 | S23715       |

**TABLE II**

| HP  | PH | Bracket No. | "AK" Fit | "U" Dim. | Motor Frame |
|-----|----|-------------|----------|----------|-------------|
| 1   | 1  | L01525      | 4-1/2"   | 7/8"     | 143JP       |
| 1   | 3  | L01525      | 4-1/2"   | 7/8"     | 143JP       |
| 1.5 | 1  | L01525      | 4-1/2"   | 7/8"     | 145JP       |
| 1.5 | 3  | L01525      | 4-1/2"   | 7/8"     | 145JP       |
| 2   | 1  | L01525      | 4-1/2"   | 7/8"     | 182JP       |
| 2   | 3  | L01525      | 4-1/2"   | 7/8"     | 145JP       |
| 3   | 1  | L01525      | 4-1/2"   | 7/8"     | 184JP       |
| 3   | 3  | L01525      | 4-1/2"   | 7/8"     | 182JP       |

**NOTE:** For an explanation of the tabulated material found on this page and for impeller key location, refer to **Supplement A** located at the beginning of this section.



# TYPE "B" SINGLE STAGE CENTRIFUGAL PUMP Electric Motor Drive

|                   |                 |
|-------------------|-----------------|
| Section           | CC              |
| Page              | 160.3           |
| Date              | January 1, 2004 |
| Supersedes 6/1/95 |                 |

## CAST IRON IMPELLER

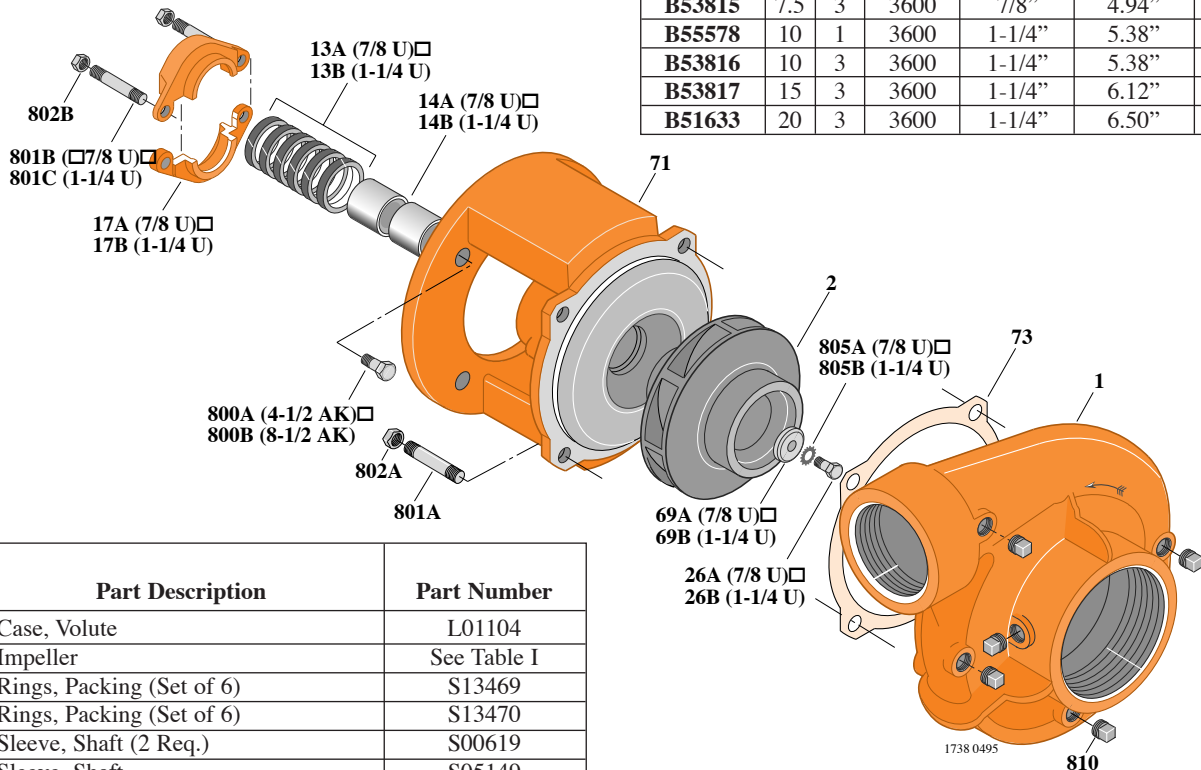
## B3TPM

### Threaded Case (NPT)

### Packing Construction

**TABLE I**

| B/M No.       | HP  | PH | RPM  | "U" Dim. | Imp. Dia. | Imp. No. |
|---------------|-----|----|------|----------|-----------|----------|
| <b>B53814</b> | 7.5 | 1  | 3600 | 1-1/4"   | 4.94"     | M07647   |
| <b>B53815</b> | 7.5 | 3  | 3600 | 7/8"     | 4.94"     | M07651   |
| <b>B55578</b> | 10  | 1  | 3600 | 1-1/4"   | 5.38"     | M07648   |
| <b>B53816</b> | 10  | 3  | 3600 | 1-1/4"   | 5.38"     | M07648   |
| <b>B53817</b> | 15  | 3  | 3600 | 1-1/4"   | 6.12"     | M07649   |
| <b>B51633</b> | 20  | 3  | 3600 | 1-1/4"   | 6.50"     | M02960   |



| Item No. | Part Description                   | Part Number  |
|----------|------------------------------------|--------------|
| 1        | Case, Volute                       | L01104       |
| 2        | Impeller                           | See Table I  |
| 13A      | Rings, Packing (Set of 6)          | S13469       |
| 13B      | Rings, Packing (Set of 6)          | S13470       |
| 14A      | Sleeve, Shaft (2 Req.)             | S00619       |
| 14B      | Sleeve, Shaft                      | S05149       |
| 17A      | Gland, Packing                     | B82469       |
| 17B      | Gland, Packing                     | B82470       |
| 26A      | Screw, Impeller 3/8 - 16 x 1"      | S23566       |
| 26B      | Screw, Impeller 1/2 - 13 x 1"      | S23619       |
| 32A      | Key, 3/16 x 1-1/4" (See Note)      | S34383       |
| 32B      | Key, 1/4 x 2-1/4" (See Note)       | S23677       |
| 69A      | Washer, Impeller                   | S06314       |
| 69B      | Washer, Impeller                   | S06319       |
| 71       | Bracket                            | See Table II |
| 73       | Gasket, Volute                     | S04757       |
| 800A     | Capscrew, 3/8 - 16 x 7/8" (4 Req.) | S26825       |
| 800B     | Capscrew, 1/2 - 13 x 1" (4 Req.)   | S26912       |
| 801A     | Stud, 1/2 - 13 x 1-1/2" (4 Req.)   | S23043       |
| 801B     | Stud, 3/8 - 16 x 4" (2 Req.)       | S08303       |
| 801C     | Stud, 3/8 - 16 x 3-1/2" (2 Req.)   | S04441       |
| 802A     | Nut, Hex 1/2 - 13 (4 Req.)         | S23107       |
| 802B     | Nut, Hex 3/8 - 16 (2 Req.)         | S23343       |
| 805A     | Washer, Lock                       | S23036       |
| 805B     | Washer, Lock                       | S23038       |
| 810      | Plug, Pipe 1/4 NPT (5 Req.)        | S23715       |

**TABLE II**

| HP  | PH | Bracket No. | "AK" Fit | "U" Dim. | Motor Frame |
|-----|----|-------------|----------|----------|-------------|
| 7.5 | 1  | L01951      | 8-1/2"   | 1-1/4"   | 213JP       |
| 7.5 | 3  | L01525      | 4-1/2"   | 7/8"     | 184JP       |
| 10  | 1  | L01951      | 8-1/2"   | 1-1/4"   | 215JP       |
| 10  | 3  | L01951      | 8-1/2"   | 1-1/4"   | 213JP       |
| 15  | 3  | L01951      | 8-1/2"   | 1-1/4"   | 215JP       |
| 20  | 3  | L01951      | 8-1/2"   | 1-1/4"   | 254JP       |

**NOTE:** For an explanation of the tabulated material found on this page and for impeller key location, refer to *Supplement A* located at the beginning of this section.



# TYPE "B" SINGLE STAGE CENTRIFUGAL PUMP Electric Motor Drive

|                   |                 |
|-------------------|-----------------|
| Section           | CC              |
| Page              | 160.4           |
| Date              | January 1, 2004 |
| Supersedes 6/1/95 |                 |

## CAST IRON IMPELLER

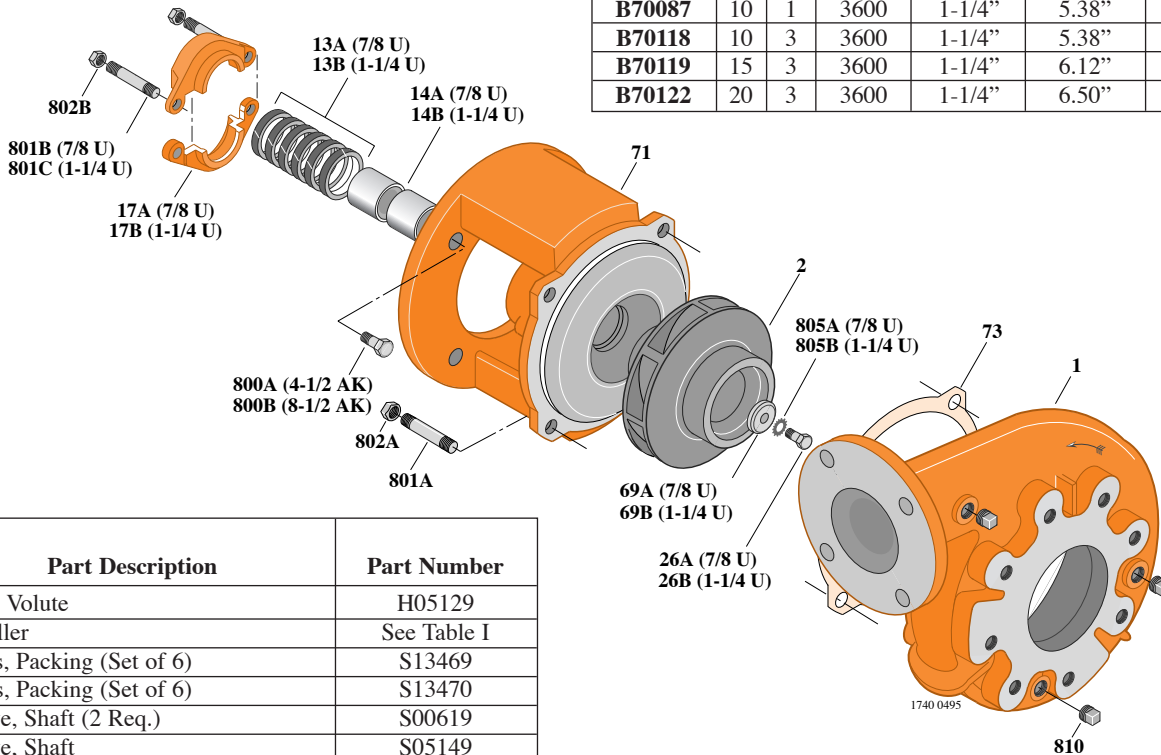
## B3TPM

### Flanged Case

### Packing Construction

**TABLE I**

| B/M No.       | HP  | PH | RPM  | "U" Dim. | Imp. Dia. | Imp. No. |
|---------------|-----|----|------|----------|-----------|----------|
| <b>B70084</b> | 7.5 | 1  | 3600 | 1-1/4"   | 4.94"     | M07647   |
| <b>B70116</b> | 7.5 | 3  | 3600 | 7/8"     | 4.94"     | M07651   |
| <b>B70087</b> | 10  | 1  | 3600 | 1-1/4"   | 5.38"     | M07648   |
| <b>B70118</b> | 10  | 3  | 3600 | 1-1/4"   | 5.38"     | M07648   |
| <b>B70119</b> | 15  | 3  | 3600 | 1-1/4"   | 6.12"     | M07649   |
| <b>B70122</b> | 20  | 3  | 3600 | 1-1/4"   | 6.50"     | M02960   |



| Item No. | Part Description                   | Part Number  |
|----------|------------------------------------|--------------|
| 1        | Case, Volute                       | H05129       |
| 2        | Impeller                           | See Table I  |
| 13A      | Rings, Packing (Set of 6)          | S13469       |
| 13B      | Rings, Packing (Set of 6)          | S13470       |
| 14A      | Sleeve, Shaft (2 Req.)             | S00619       |
| 14B      | Sleeve, Shaft                      | S05149       |
| 17A      | Gland, Packing                     | B82469       |
| 17B      | Gland, Packing                     | B82470       |
| 26A      | Screw, Impeller 3/8 - 16 x 1"      | S23566       |
| 26B      | Screw, Impeller 1/2 - 13 x 1"      | S23619       |
| 32A      | Key, 3/16 x 1-1/4" (See Note)      | S34383       |
| 32B      | Key, 1/4 x 2-1/4" (See Note)       | S23677       |
| 69A      | Washer, Impeller                   | S06314       |
| 69B      | Washer, Impeller                   | S06919       |
| 71       | Bracket                            | See Table II |
| 73       | Gasket, Volute                     | S04757       |
| 800A     | Capscrew, 3/8 - 16 x 7/8" (4 Req.) | S26825       |
| 800B     | Capscrew, 1/2 - 13 x 1" (4 Req.)   | S26912       |
| 801A     | Stud, 1/2 - 13 x 1-1/2" (4 Req.)   | S24043       |
| 801B     | Stud, 3/8 - 16 x 4" (2 Req.)       | S08303       |
| 801C     | Stud, 3/8 - 16 x 3-1/2" (2 Req.)   | S04441       |
| 802A     | Nut, Hex 1/2 - 13 (4 Req.)         | S23107       |
| 802B     | Nut, Hex 3/8 - 16 (2 Req.)         | S23343       |
| 805A     | Washer, Lock                       | S23036       |
| 805B     | Washer, Lock                       | S23038       |
| 810      | Plug, Pipe 1/4 NPT (5 Req.)        | S23715       |

**TABLE II**

| HP  | PH | Bracket No. | "AK" Fit | "U" Dim. | Motor Frame |
|-----|----|-------------|----------|----------|-------------|
| 7.5 | 1  | L01951      | 8-1/2"   | 1-1/4"   | 213JP       |
| 7.5 | 3  | L01525      | 4-1/2"   | 7/8"     | 184JP       |
| 10  | 1  | L01951      | 8-1/2"   | 1-1/4"   | 215JP       |
| 10  | 3  | L01951      | 8-1/2"   | 1-1/4"   | 213JP       |
| 15  | 3  | L01951      | 8-1/2"   | 1-1/4"   | 215JP       |
| 20  | 3  | L01951      | 8-1/2"   | 1-1/4"   | 254JP       |

**NOTE:** For an explanation of the tabulated material found on this page and for impeller key location, refer to *Supplement A* located at the beginning of this section.



# TYPE "B" SINGLE STAGE CENTRIFUGAL PUMP Electric Motor Drive

|                   |                 |
|-------------------|-----------------|
| Section           | CC              |
| Page              | 160.5           |
| Date              | January 1, 2004 |
| Supersedes 6/1/95 |                 |

## CAST IRON IMPELLER

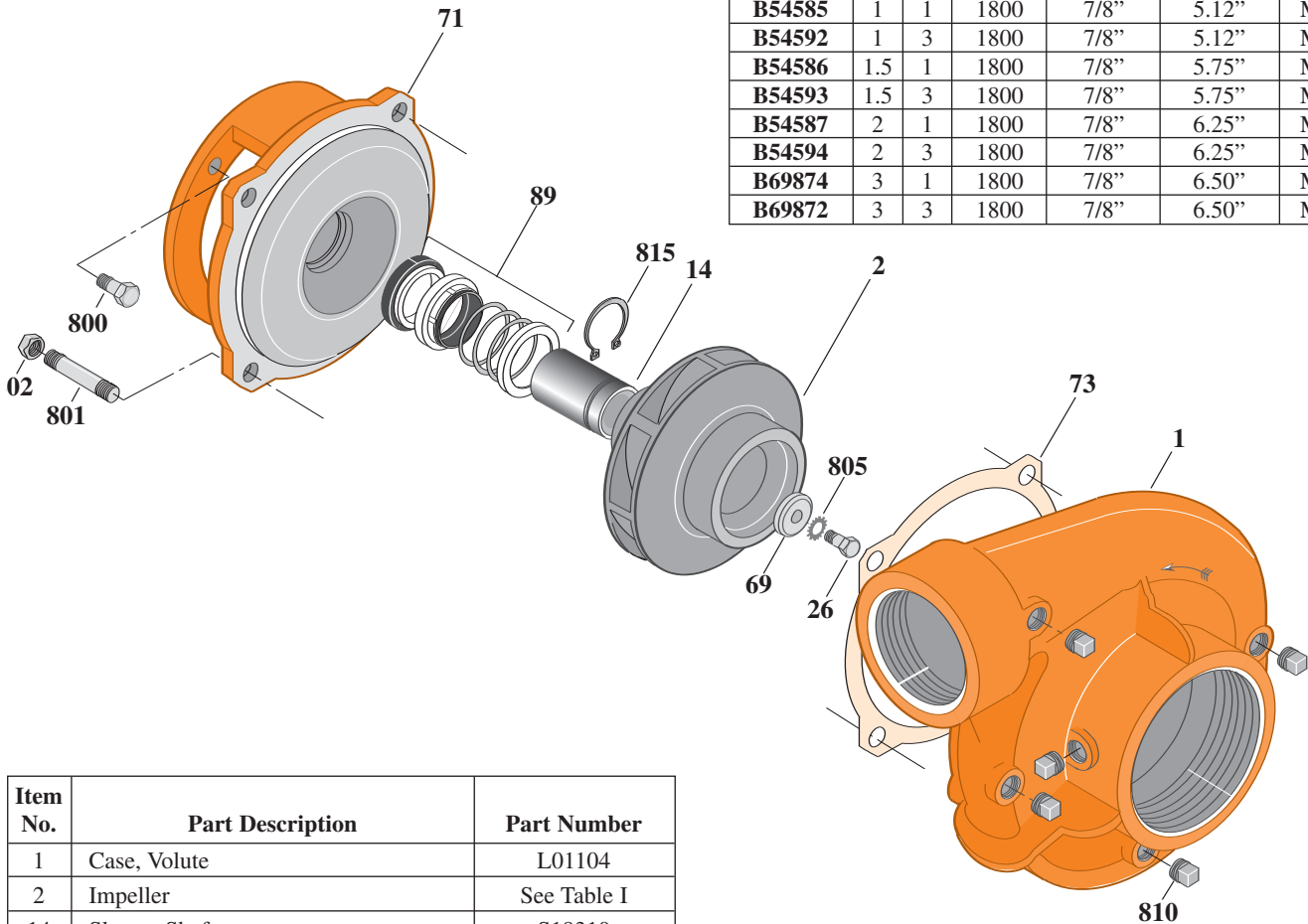
## B3TPMS

### Threaded Case (NPT)

### Mechanical Shaft Seal Construction

**TABLE I**

| B/M No. | HP  | PH | RPM  | "U" Dim. | Imp. Dia. | Imp. No. |
|---------|-----|----|------|----------|-----------|----------|
| B54585  | 1   | 1  | 1800 | 7/8"     | 5.12"     | M07652   |
| B54592  | 1   | 3  | 1800 | 7/8"     | 5.12"     | M07652   |
| B54586  | 1.5 | 1  | 1800 | 7/8"     | 5.75"     | M07653   |
| B54593  | 1.5 | 3  | 1800 | 7/8"     | 5.75"     | M07653   |
| B54587  | 2   | 1  | 1800 | 7/8"     | 6.25"     | M07654   |
| B54594  | 2   | 3  | 1800 | 7/8"     | 6.25"     | M07654   |
| B69874  | 3   | 1  | 1800 | 7/8"     | 6.50"     | M02959   |
| B69872  | 3   | 3  | 1800 | 7/8"     | 6.50"     | M02959   |



| Item No. | Part Description                                   | Part Number  |
|----------|--|--------------|
| 1        | Case, Volute                                       | L01104       |
| 2        | Impeller   | See Table I  |
| 14       | Sleeve, Shaft                                      | S19310       |
| 26       | Screw, Impeller 3/8 - 16 x 1"                      | S23566       |
| 32       | Key, 3/16 x 1-1/4" (See Note)                      | S34383       |
| 69       | Washer, Impeller                                   | S06314       |
| 71       | Bracket  | See Table II |
| 73       | Gasket, Volute                                     | S04757       |
| 89       | Seal, Mechanical Shaft                             | S32014       |
| 800      | Capscrew, 3/8 - 16 x 1" (4 Req.)<br>(For 4-1/2 AK) | S26826       |
| 801      | Stud, 1/2 - 13 x 1-1/2" (4 Req.)                   | S24043       |
| 802      | Nut, 1/2 - 13 (4 Req.)                             | S23107       |
| 805      | Washer, Lock                                       | S23036       |
| 810      | Plug, Pipe 1/4 NPT (5 Req.)                        | S23715       |
| 815      | Ring, Retaining                                    | S11207       |

**TABLE II**

| HP  | PH | Bracket No. | "AK" Fit | "U" Dim. | Motor Frame |
|-----|----|-------------|----------|----------|-------------|
| 1   | 1  | L05329      | 4-1/2"   | 7/8"     | 143JM       |
| 1   | 3  | L05329      | 4-1/2"   | 7/8"     | 143JM       |
| 1.5 | 1  | L05329      | 4-1/2"   | 7/8"     | 145JM       |
| 1.5 | 3  | L05329      | 4-1/2"   | 7/8"     | 145JM       |
| 2   | 1  | L05329      | 4-1/2"   | 7/8"     | 182JM       |
| 2   | 3  | L05329      | 4-1/2"   | 7/8"     | 145JM       |
| 3   | 1  | L05329      | 4-1/2"   | 7/8"     | 184JM       |
| 3   | 3  | L05329      | 4-1/2"   | 7/8"     | 182JM       |

**NOTE:** For an explanation of the tabulated material found on this page and for impeller key location, refer to *Supplement A* located at the beginning of this section.



# TYPE "B" SINGLE STAGE CENTRIFUGAL PUMP Electric Motor Drive

|                   |              |
|-------------------|--------------|
| Section           | CC           |
| Page              | 160.6        |
| Date              | May 15, 2009 |
| Supersedes 1/1/04 |              |

## CAST IRON IMPELLER

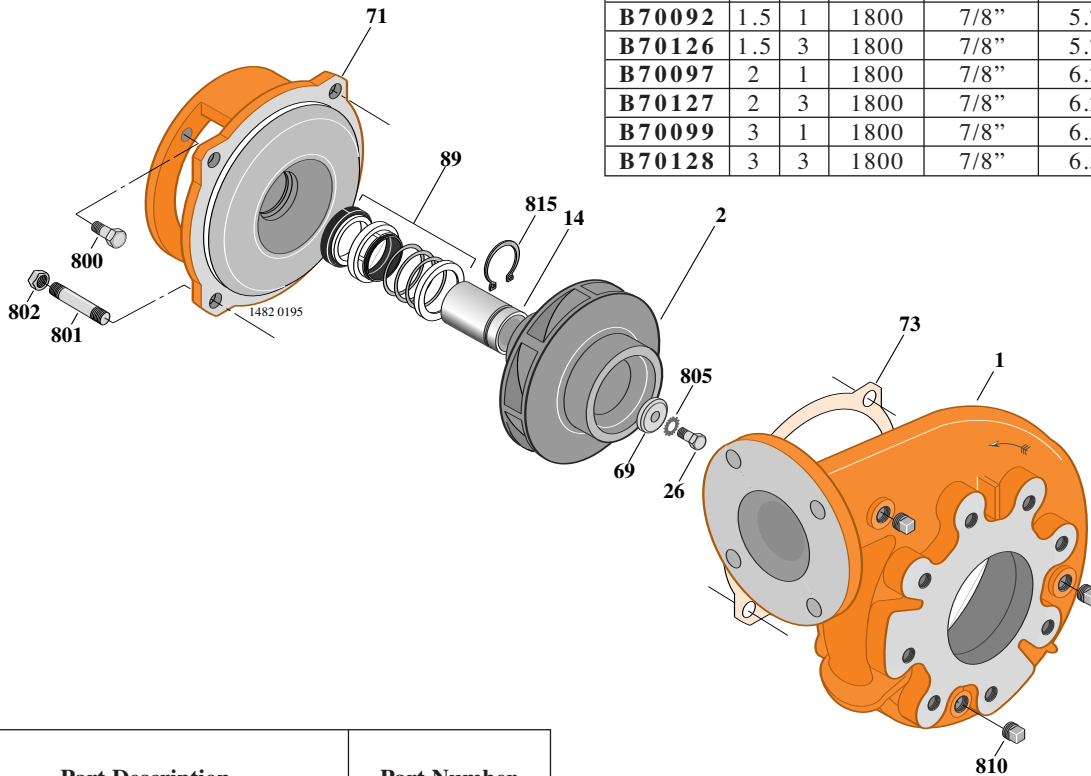
## B3TPMS

### Flanged Case

### Mechanical Shaft Seal Construction

**TABLE I**

| B/M No. | HP  | PH | RPM  | "U" Dim. | Imp. Dia. | Imp. No. |
|---------|-----|----|------|----------|-----------|----------|
| B70090  | 1   | 1  | 1800 | 7/8"     | 5.12"     | M07652   |
| B70125  | 1   | 3  | 1800 | 7/8"     | 5.12"     | M07652   |
| B70092  | 1.5 | 1  | 1800 | 7/8"     | 5.75"     | M07653   |
| B70126  | 1.5 | 3  | 1800 | 7/8"     | 5.75"     | M07653   |
| B70097  | 2   | 1  | 1800 | 7/8"     | 6.25"     | M07654   |
| B70127  | 2   | 3  | 1800 | 7/8"     | 6.25"     | M07654   |
| B70099  | 3   | 1  | 1800 | 7/8"     | 6.50"     | M02959   |
| B70128  | 3   | 3  | 1800 | 7/8"     | 6.50"     | M02959   |



| Item No. | Part Description                                | Part Number  |
|----------|---|--------------|
| 1        | Case, Volute                                    | H05129       |
| 2        | Impeller  | See Table I  |
| 14       | Sleeve, Shaft (See Note 2)                      | S19310L      |
| 26       | Screw, Impeller 3/8 - 16 x 1"                   | S23566       |
| 32       | Key, 3/16 x 1-1/4" (See Note 1)                 | S34383       |
| 69       | Washer, Impeller                                | S06314       |
| 71       | Bracket   | See Table II |
| 73       | Gasket, Volute                                  | S04757       |
| 89       | Seal, Mechanical Shaft                          | S32014       |
| 800      | Capscrew, 3/8 - 16 x 1" (4 Req.) (For 4-1/2 AK) | S26826       |
| 801      | Stud, 1/2 - 13 x 1-1/2" (4 Req.)                | S24043       |
| 802      | Nut, 1/2 - 13 (4 Req.)                          | S23107       |
| 805      | Washer, Lock                                    | S23036       |
| 810      | Plug, Pipe 1/4 NPT (5 Req.)                     | S23715       |
| 815      | Ring, Retaining                                 | S11207       |

**TABLE II**

| HP  | PH | Bracket No. | "AK" Fit | "U" Dim. | Motor Frame |
|-----|----|-------------|----------|----------|-------------|
| 1   | 1  | L05329      | 4-1/2"   | 7/8"     | 143JM       |
| 1   | 3  | L05329      | 4-1/2"   | 7/8"     | 143JM       |
| 1.5 | 1  | L05329      | 4-1/2"   | 7/8"     | 145JM       |
| 1.5 | 3  | L05329      | 4-1/2"   | 7/8"     | 145JM       |
| 2   | 1  | L05329      | 4-1/2"   | 7/8"     | 182JM       |
| 2   | 3  | L05329      | 4-1/2"   | 7/8"     | 145JM       |
| 3   | 1  | L05329      | 4-1/2"   | 7/8"     | 184JM       |
| 3   | 3  | L05329      | 4-1/2"   | 7/8"     | 182JM       |

**NOTE 1:** For an explanation of the tabulated material found on this page and for impeller key location, refer to *Supplement A* located at the beginning of this section.

**NOTE 2:** Sleeve replacement kit available. Berkeley part number B85681 includes the shaft sleeve, adhesive compound and instruction sheet.





# TYPE "B" SINGLE STAGE CENTRIFUGAL PUMP Electric Motor Drive

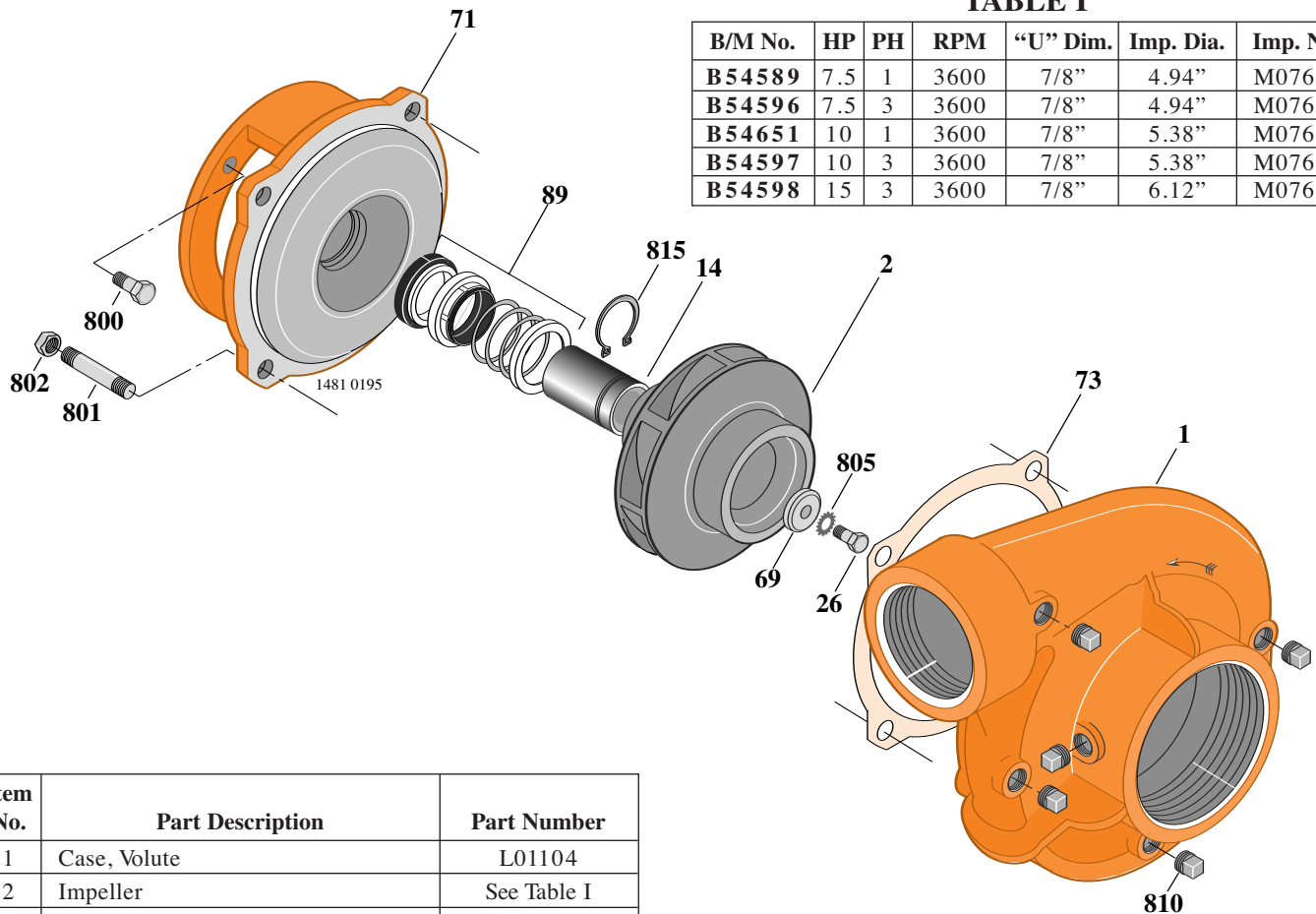
|                   |              |
|-------------------|--------------|
| Section           | CC           |
| Page              | 160.7        |
| Date              | May 15, 2009 |
| Supersedes 1/1/04 |              |

## CAST IRON IMPELLER

## B3TPMS

### Threaded Case (NPT)

### Mechanical Shaft Seal Construction



**TABLE I**

| B/M No.       | HP  | PH | RPM  | "U" Dim. | Imp. Dia. | Imp. No. |
|---------------|-----|----|------|----------|-----------|----------|
| <b>B54589</b> | 7.5 | 1  | 3600 | 7/8"     | 4.94"     | M07651   |
| <b>B54596</b> | 7.5 | 3  | 3600 | 7/8"     | 4.94"     | M07651   |
| <b>B54651</b> | 10  | 1  | 3600 | 7/8"     | 5.38"     | M07684   |
| <b>B54597</b> | 10  | 3  | 3600 | 7/8"     | 5.38"     | M07684   |
| <b>B54598</b> | 15  | 3  | 3600 | 7/8"     | 6.12"     | M07685   |

| Item No. | Part Description                                   | Part Number  |
|----------|--|--------------|
| 1        | Case, Volute                                       | L01104       |
| 2        | Impeller   | See Table I  |
| 14       | Sleeve, Shaft (See Note 2)                         | S19310L      |
| 26       | Screw, Impeller 3/8 - 16 x 1"                      | S23566       |
| 32       | Key, 3/16 x 1-1/4" (See Note 1)                    | S34383       |
| 69       | Washer, Impeller                                   | S06314       |
| 71       | Bracket  | See Table II |
| 73       | Gasket, Volute                                     | S04757       |
| 89       | Seal, Mechanical Shaft                             | S32014       |
| 800      | Capscrew, 3/8 - 16 x 1" (4 Req.)<br>(For 4-1/2 AK) | S26826       |
| 800      | Capscrew, 1/2 - 13 x 1" (4 Req.)<br>(For 8-1/2 AK) | S26912       |
| 801      | Stud, 1/2 - 13 x 1-1/2" (4 Req.)                   | S24043       |
| 802      | Nut, 1/2 - 13 (4 Req.)                             | S23107       |
| 805      | Washer, Lock                                       | S23036       |
| 810      | Plug, Pipe 1/4 NPT (5 Req.)                        | S23715       |
| 815      | Ring, Retaining                                    | S11207       |

**TABLE II**

| HP  | PH | Bracket No. | "AK" Fit | "U" Dim. | Motor Frame |
|-----|----|-------------|----------|----------|-------------|
| 7.5 | 1  | L05328      | 8-1/2"   | 7/8"     | 213JM       |
| 7.5 | 3  | L05329      | 4-1/2"   | 7/8"     | 184JM       |
| 10  | 1  | L05328      | 8-1/2"   | 7/8"     | 215JM       |
| 10  | 3  | L05328      | 8-1/2"   | 7/8"     | 213JM       |
| 15  | 3  | L05328      | 8-1/2"   | 7/8"     | 215JM       |

**NOTE 1:** For an explanation of the tabulated material found on this page and for impeller key location, refer to *Supplement A* located at the beginning of this section.

**NOTE 2:** Sleeve replacement kit available. Berkeley part number B85681 includes the shaft sleeve, adhesive compound and instruction sheet.







# TYPE "B" SINGLE STAGE CENTRIFUGAL PUMP Electric Motor Drive

|                   |              |
|-------------------|--------------|
| Section           | CC           |
| Page              | 160.9        |
| Date              | May 15, 2009 |
| Supersedes 1/1/04 |              |

## CAST IRON IMPELLER

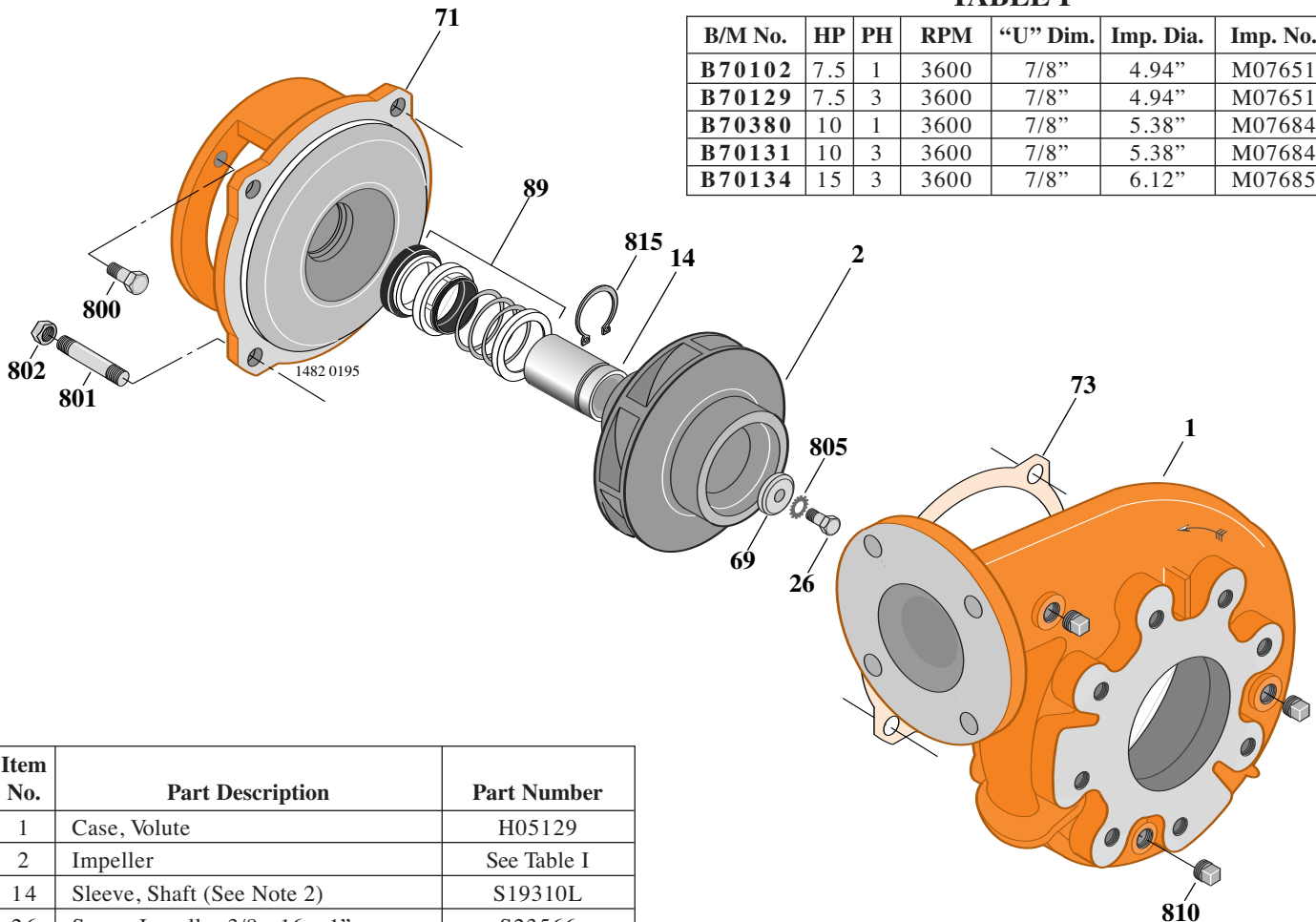
## B3TPMS

### Flanged Case

### Mechanical Shaft Seal Construction

**TABLE I**

| B/M No.       | HP  | PH | RPM  | "U" Dim. | Imp. Dia. | Imp. No. |
|---------------|-----|----|------|----------|-----------|----------|
| <b>B70102</b> | 7.5 | 1  | 3600 | 7/8"     | 4.94"     | M07651   |
| <b>B70129</b> | 7.5 | 3  | 3600 | 7/8"     | 4.94"     | M07651   |
| <b>B70380</b> | 10  | 1  | 3600 | 7/8"     | 5.38"     | M07684   |
| <b>B70131</b> | 10  | 3  | 3600 | 7/8"     | 5.38"     | M07684   |
| <b>B70134</b> | 15  | 3  | 3600 | 7/8"     | 6.12"     | M07685   |



| Item No. | Part Description                                   | Part Number  |
|----------|--|--------------|
| 1        | Case, Volute                                       | H05129       |
| 2        | Impeller   | See Table I  |
| 14       | Sleeve, Shaft (See Note 2)                         | S19310L      |
| 26       | Screw, Impeller 3/8 - 16 x 1"                      | S23566       |
| 32       | Key, 3/16 x 1-1/4" (See Note 1)                    | S34383       |
| 40       | Washer, Impeller                                   | S06314       |
| 71       | Bracket  | See Table II |
| 73       | Gasket, Volute                                     | S04757       |
| 89       | Seal, Mechanical Shaft                             | S32014       |
| 800      | Capscrew, 3/8 - 16 x 1" (4 Req.)<br>(For 4-1/2 AK) | S26826       |
| 800      | Capscrew, 1/2 - 13 x 1" (4 Req.)<br>(For 8-1/2 AK) | S26912       |
| 801      | Stud, 1/2 - 13 x 1-1/2" (4 Req.)                   | S24043       |
| 802      | Nut, 1/2 - 13 (4 Req.)                             | S23107       |
| 805      | Washer, Lock                                       | S23036       |
| 810      | Plug, Pipe 1/4 NPT (5 Req.)                        | S23715       |
| 815      | Ring, Retaining                                    | S11207       |

**TABLE II**

| HP  | PH | Bracket No. | "AK" Fit | "U" Dim. | Motor Frame |
|-----|----|-------------|----------|----------|-------------|
| 7.5 | 1  | L05328      | 8-1/2"   | 7/8"     | 213JM       |
| 7.5 | 3  | L05329      | 4-1/2"   | 7/8"     | 184JM       |
| 10  | 1  | L05328      | 8-1/2"   | 7/8"     | 215JM       |
| 10  | 3  | L05328      | 8-1/2"   | 7/8"     | 213JM       |
| 15  | 3  | L05328      | 8-1/2"   | 7/8"     | 215JM       |

**NOTE 1:** For an explanation of the tabulated material found on this page and for impeller key location, refer to *Supplement A* located at the beginning of this section.

**NOTE 2:** Sleeve replacement kit available. Berkeley part number B85681 includes the shaft sleeve, adhesive compound and instruction sheet.



# TYPE "B" SINGLE STAGE CENTRIFUGAL PUMP Electric Motor Drive

|                   |                 |
|-------------------|-----------------|
| Section           | CC              |
| Page              | 160.10          |
| Date              | January 1, 2004 |
| Supersedes 6/1/95 |                 |

## CAST IRON IMPELLER

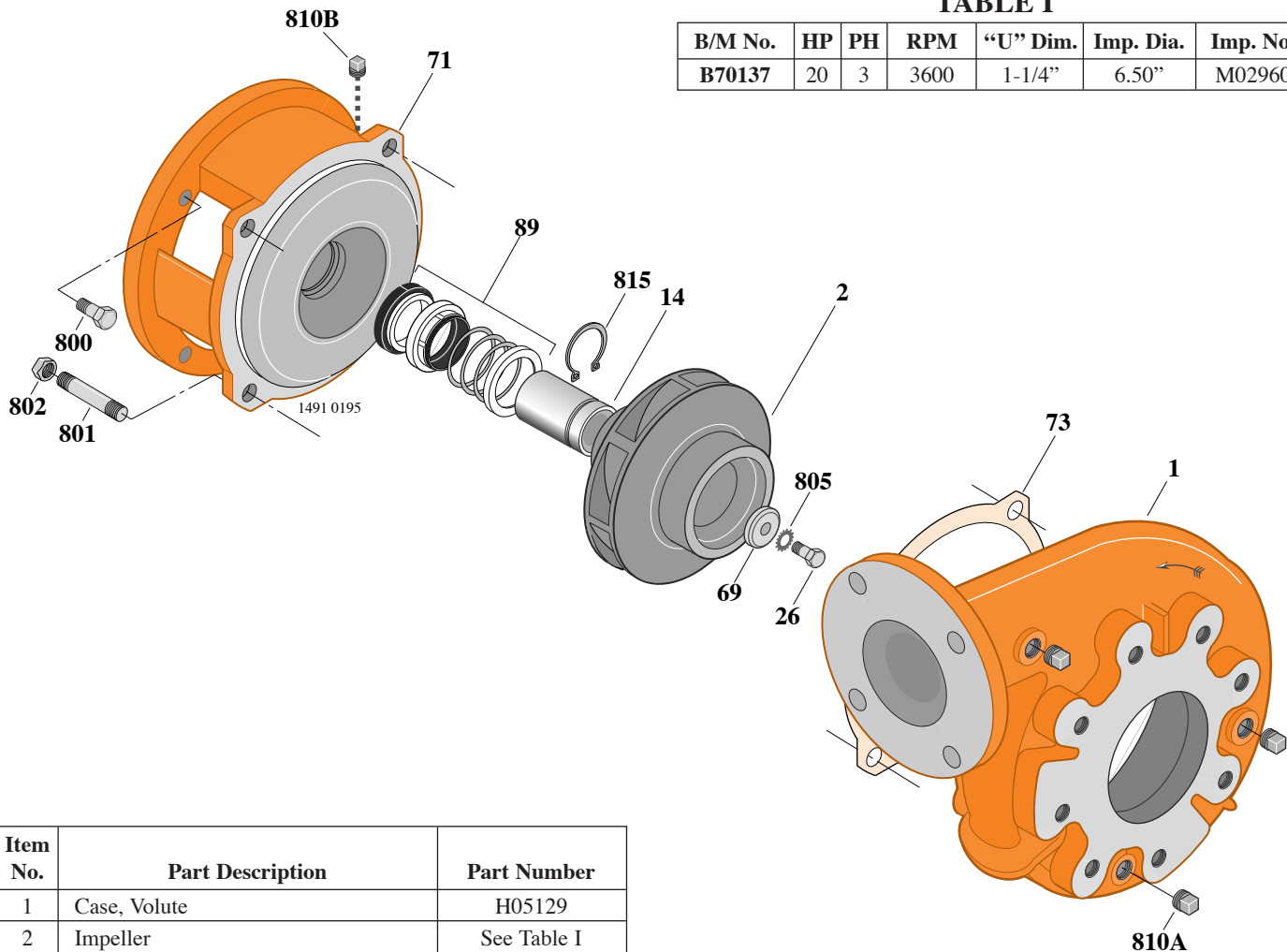
## B3TPMS

### Flanged Case

### Mechanical Shaft Seal Construction

**TABLE I**

| B/M No. | HP | PH | RPM  | "U" Dim. | Imp. Dia. | Imp. No. |
|---------|----|----|------|----------|-----------|----------|
| B70137  | 20 | 3  | 3600 | 1-1/4"   | 6.50"     | M02960   |



| Item No. | Part Description                 | Part Number  |
|----------|----------------------------------|--------------|
| 1        | Case, Volute                     | H05129       |
| 2        | Impeller                         | See Table I  |
| 14       | Sleeve, Shaft                    | S18869       |
| 26       | Screw, Impeller 1/2 - 13 x 1"    | S23619       |
| 32       | Key, 1/4 x 2-1/4" (See Note)     | S23677       |
| 69       | Washer, Impeller                 | S06319       |
| 71       | Bracket                          | See Table II |
| 73       | Gasket, Volute                   | S04757       |
| 89       | Seal, Mechanical Shaft           | S32015       |
| 800      | Capscrew, 1/2 - 13 x 1" (4 Req.) | S26912       |
| 801      | Stud, 1/2 - 13 x 1-1/2" (4 Req.) | S24043       |
| 802      | Nut, 1/2 - 13 (4 Req.)           | S23107       |
| 805      | Washer, Lock                     | S23038       |
| 810      | Plug, Pipe (5 Req.)              | S23715       |
| 815      | Ring, Retaining                  | S16767       |

**TABLE II**

| HP | PH | Bracket No. | "AK" Fit | "U" Dim. | Motor Frame |
|----|----|-------------|----------|----------|-------------|
| 20 | 3  | L05779      | 8-1/2"   | 1-1/4"   | 254JM       |

**NOTE:** For an explanation of the tabulated material found on this page and for impeller key location, refer to *Supplement A* located at the beginning of this section.



# TYPE "B" SINGLE STAGE CENTRIFUGAL PUMP Electric Motor Drive

|                   |                 |
|-------------------|-----------------|
| Section           | CC              |
| Page              | 160.11          |
| Date              | January 1, 2004 |
| Supersedes 6/1/95 |                 |

**BRONZE IMPELLER**

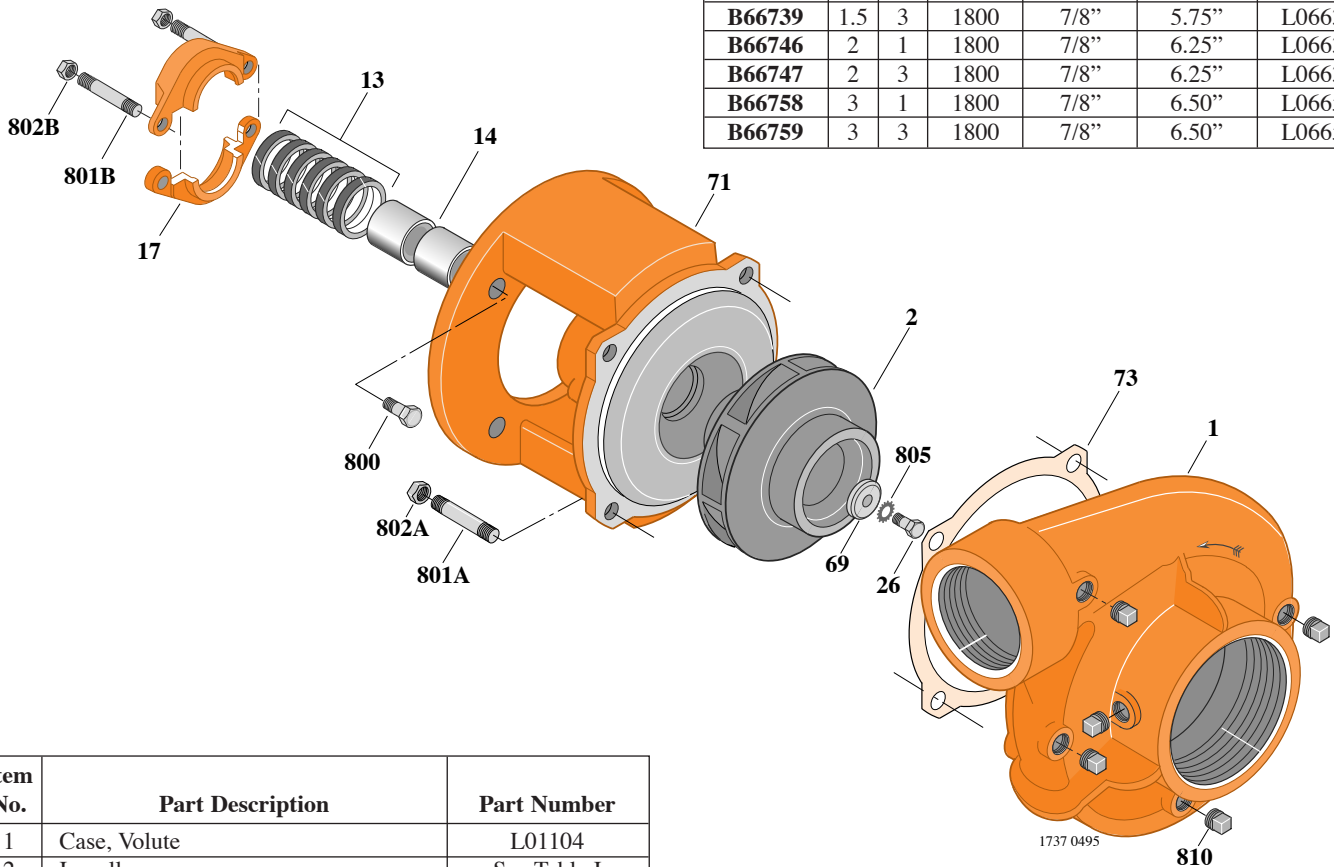
**B3TPM**

**Threaded Case (NPT)**

**Packing Construction**

**TABLE I**

| B/M No.       | HP  | PH | RPM  | "U" Dim. | Imp. Dia. | Imp. No. |
|---------------|-----|----|------|----------|-----------|----------|
| <b>B66730</b> | 1   | 1  | 1800 | 7/8"     | 5.12"     | L06634   |
| <b>B66731</b> | 1   | 3  | 1800 | 7/8"     | 5.12"     | L06634   |
| <b>B66738</b> | 1.5 | 1  | 1800 | 7/8"     | 5.75"     | L06635   |
| <b>B66739</b> | 1.5 | 3  | 1800 | 7/8"     | 5.75"     | L06635   |
| <b>B66746</b> | 2   | 1  | 1800 | 7/8"     | 6.25"     | L06636   |
| <b>B66747</b> | 2   | 3  | 1800 | 7/8"     | 6.25"     | L06636   |
| <b>B66758</b> | 3   | 1  | 1800 | 7/8"     | 6.50"     | L06657   |
| <b>B66759</b> | 3   | 3  | 1800 | 7/8"     | 6.50"     | L06657   |



| Item No. | Part Description                   | Part Number  |
|----------|------------------------------------|--------------|
| 1        | Case, Volute                       | L01104       |
| 2        | Impeller                           | See Table I  |
| 13       | Rings, Packing (Set of 6)          | S13469       |
| 14       | Sleeve, Shaft (2 Req.)             | S00619       |
| 17       | Gland, Packing                     | B82469       |
| 26       | Screw, Impeller 3/8 - 16 x 1"      | S23566       |
| 32       | Key, 3/16 x 1-1/4" (See Note)      | S34383       |
| 69       | Washer, Impeller                   | S06314       |
| 71       | Bracket                            | See Table II |
| 73       | Gasket, Volute                     | S04757       |
| 800      | Capscrew, 3/8 - 16 x 7/8" (4 Req.) | S26825       |
| 801A     | Stud, 1/2 - 13 x 1-1/2" (4 Req.)   | S24043       |
| 801B     | Stud, 3/8 - 16 x 4" (2 Req.)       | S08303       |
| 802A     | Nut, Hex 1/2 - 13 (4 Req.)         | S23107       |
| 802B     | Nut, Hex 3/8 - 16 (2 Req.)         | S23343       |
| 805      | Washer, Lock                       | S23036       |
| 810      | Plug, Pipe 1/4 NPT (5 Req.)        | S23715       |

**TABLE II**

| HP  | PH | Bracket No. | "AK" Fit | "U" Dim. | Motor Frame |
|-----|----|-------------|----------|----------|-------------|
| 1   | 1  | L01525      | 4-1/2"   | 7/8"     | 143JP       |
| 1   | 3  | L01525      | 4-1/2"   | 7/8"     | 143JP       |
| 1.5 | 1  | L01525      | 4-1/2"   | 7/8"     | 145JP       |
| 1.5 | 3  | L01525      | 4-1/2"   | 7/8"     | 145JP       |
| 2   | 1  | L01525      | 4-1/2"   | 7/8"     | 182JP       |
| 2   | 3  | L01525      | 4-1/2"   | 7/8"     | 145JP       |
| 3   | 1  | L01525      | 4-1/2"   | 7/8"     | 184JP       |
| 3   | 3  | L01525      | 4-1/2"   | 7/8"     | 182JP       |

**NOTE:** For an explanation of the tabulated material found on this page and for impeller key location, refer to *Supplement A* located at the beginning of this section.



# TYPE "B" SINGLE STAGE CENTRIFUGAL PUMP Electric Motor Drive

|                   |                 |
|-------------------|-----------------|
| Section           | CC              |
| Page              | 160.12          |
| Date              | January 1, 2004 |
| Supersedes 6/1/95 |                 |

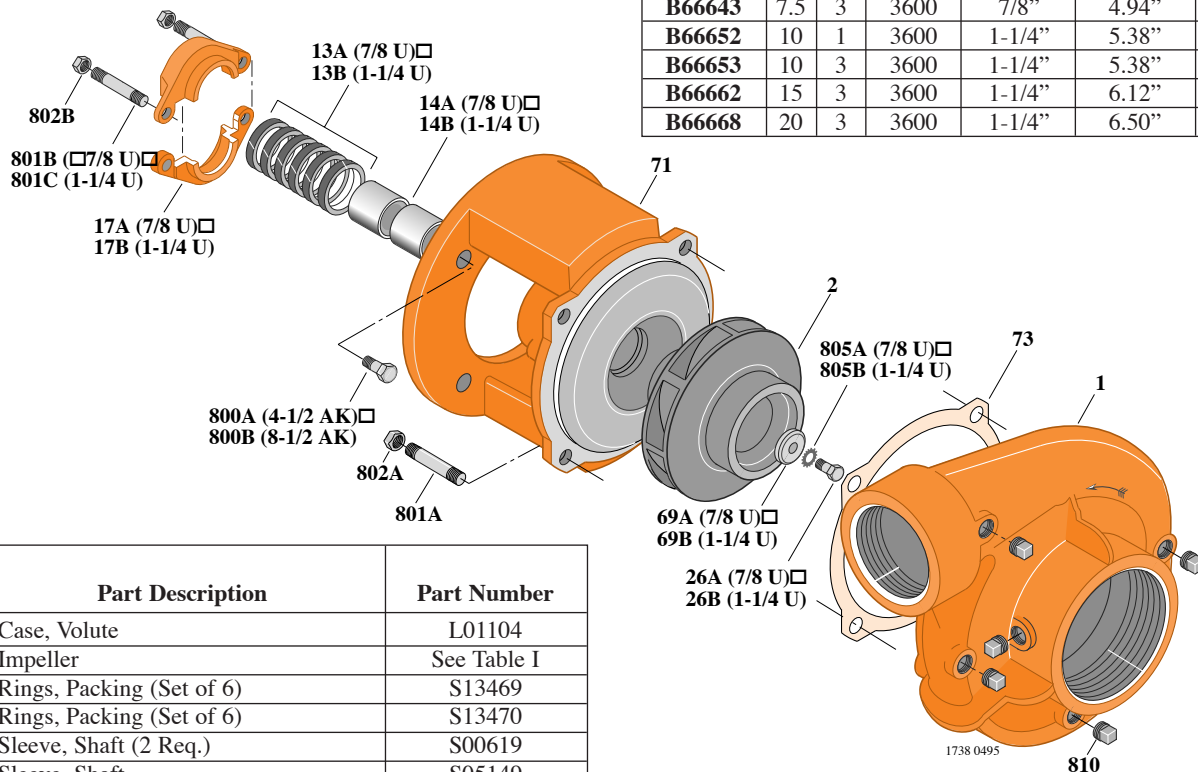
## BRONZE IMPELLERB3TPM

**Threaded Case (NPT)**

**Packing Construction**

**TABLE I**

| B/M No.       | HP  | PH | RPM  | "U" Dim. | Imp. Dia. | Imp. No. |
|---------------|-----|----|------|----------|-----------|----------|
| <b>B66642</b> | 7.5 | 1  | 3600 | 1-1/4"   | 4.94"     | L06630   |
| <b>B66643</b> | 7.5 | 3  | 3600 | 7/8"     | 4.94"     | L06633   |
| <b>B66652</b> | 10  | 1  | 3600 | 1-1/4"   | 5.38"     | L06631   |
| <b>B66653</b> | 10  | 3  | 3600 | 1-1/4"   | 5.38"     | L06631   |
| <b>B66662</b> | 15  | 3  | 3600 | 1-1/4"   | 6.12"     | L06643   |
| <b>B66668</b> | 20  | 3  | 3600 | 1-1/4"   | 6.50"     | L06658   |



| Item No. | Part Description                   | Part Number  |
|----------|------------------------------------|--------------|
| 1        | Case, Volute                       | L01104       |
| 2        | Impeller                           | See Table I  |
| 13A      | Rings, Packing (Set of 6)          | S13469       |
| 13B      | Rings, Packing (Set of 6)          | S13470       |
| 14A      | Sleeve, Shaft (2 Req.)             | S00619       |
| 14B      | Sleeve, Shaft                      | S05149       |
| 17A      | Gland, Packing                     | B82469       |
| 17B      | Gland, Packing                     | B82470       |
| 26A      | Screw, Impeller 3/8 - 16 x 1"      | S23566       |
| 26B      | Screw, Impeller 1/2 - 13 x 1"      | S23619       |
| 32A      | Key, 3/16 x 1-1/4" (See Note)      | S34383       |
| 32B      | Key, 1/4 x 2-1/4" (See Note)       | S23677       |
| 69A      | Washer, Impeller                   | S06314       |
| 69B      | Washer, Impeller                   | S06319       |
| 71       | Bracket                            | See Table II |
| 73       | Gasket, Volute                     | S04757       |
| 800A     | Capscrew, 3/8 - 16 x 7/8" (4 Req.) | S26825       |
| 800B     | Capscrew, 1/2 - 13 x 1" (4 Req.)   | S26912       |
| 801A     | Stud, 1/2 - 13 x 1-1/2" (4 Req.)   | S24043       |
| 801B     | Stud, 3/8 - 16 x 4" (2 Req.)       | S08303       |
| 801C     | Stud, 3/8 - 16 x 3-1/2" (2 Req.)   | S04441       |
| 802A     | Nut, Hex 1/2 - 13 (4 Req.)         | S23107       |
| 802B     | Nut, Hex 3/8 - 16 (2 Req.)         | S23343       |
| 805A     | Washer, Lock                       | S23036       |
| 805B     | Washer, Lock                       | S23038       |
| 810      | Plug, Pipe 1/4 NPT (5 Req.)        | S23715       |

**TABLE II**

| HP  | PH | Bracket No. | "AK" Fit | "U" Dim. | Motor Frame |
|-----|----|-------------|----------|----------|-------------|
| 7.5 | 1  | L01951      | 8-1/2"   | 1-1/4"   | 213JP       |
| 7.5 | 3  | L01525      | 4-1/2"   | 7/8"     | 184JP       |
| 10  | 1  | L01951      | 8-1/2"   | 1-1/4"   | 215JP       |
| 10  | 3  | L01951      | 8-1/2"   | 1-1/4"   | 213JP       |
| 15  | 3  | L01951      | 8-1/2"   | 1-1/4"   | 215JP       |
| 20  | 3  | L01951      | 8-1/2"   | 1-1/4"   | 254JP       |

**NOTE:** For an explanation of the tabulated material found on this page and for impeller key location, refer to *Supplement A* located at the beginning of this section.



# TYPE "B" SINGLE STAGE CENTRIFUGAL PUMP Electric Motor Drive

|                   |              |
|-------------------|--------------|
| Section           | CC           |
| Page              | 160.13       |
| Date              | May 15, 2009 |
| Supersedes 1/1/04 |              |

**BRONZE IMPELLER**

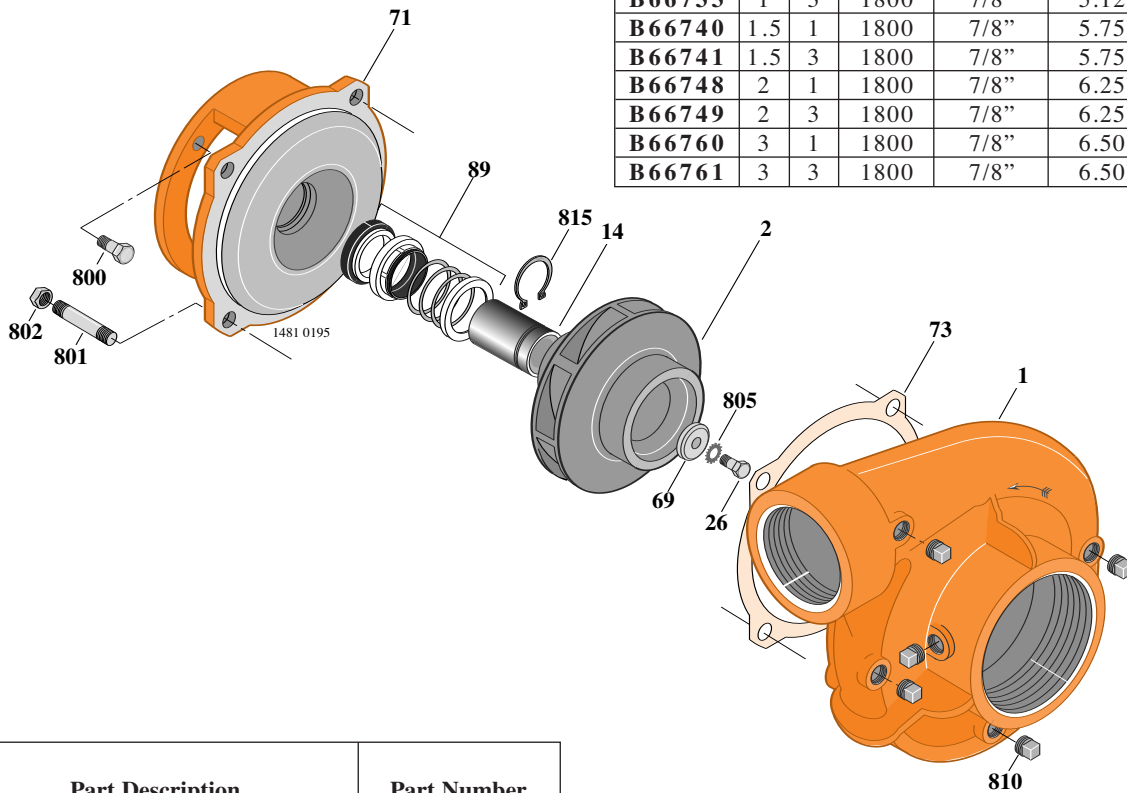
**B3TPMS**

**Threaded Case (NPT)**

**Mechanical Shaft Seal Construction**

**TABLE I**

| B/M No. | HP  | PH | RPM  | "U" Dim. | Imp. Dia. | Imp. No. |
|---------|-----|----|------|----------|-----------|----------|
| B66732  | 1   | 1  | 1800 | 7/8"     | 5.12"     | L06634   |
| B66733  | 1   | 3  | 1800 | 7/8"     | 5.12"     | L06634   |
| B66740  | 1.5 | 1  | 1800 | 7/8"     | 5.75"     | L06635   |
| B66741  | 1.5 | 3  | 1800 | 7/8"     | 5.75"     | L06635   |
| B66748  | 2   | 1  | 1800 | 7/8"     | 6.25"     | L06636   |
| B66749  | 2   | 3  | 1800 | 7/8"     | 6.25"     | L06636   |
| B66760  | 3   | 1  | 1800 | 7/8"     | 6.50"     | L06657   |
| B66761  | 3   | 3  | 1800 | 7/8"     | 6.50"     | L06657   |



| Item No. | Part Description                                   | Part Number  |
|----------|--|--------------|
| 1        | Case, Volute                                       | L01104       |
| 2        | Impeller   | See Table I  |
| 14       | Sleeve, Shaft (See Note 2)                         | S19310L      |
| 26       | Screw, Impeller 3/8 - 16 x 1"                      | S23566       |
| 32       | Key, 3/16 x 1-1/4" (See Note 1)                    | S34383       |
| 69       | Washer, Impeller                                   | S06314       |
| 71       | Bracket  | See Table II |
| 73       | Gasket, Volute                                     | S04757       |
| 89       | Seal, Mechanical Shaft                             | S32014       |
| 800      | Capscrew, 3/8 - 16 x 1" (4 Req.)<br>(For 4-1/2 AK) | S26826       |
| 801      | Stud, 1/2 - 13 x 1-1/2" (4 Req.)                   | S24043       |
| 802      | Nut, 1/2 - 13 (4 Req.)                             | S23107       |
| 805      | Washer, Lock                                       | S23036       |
| 810      | Plug, Pipe 1/4 NPT (5 Req.)                        | S23715       |
| 815      | Ring, Retaining                                    | S11207       |

**TABLE II**

| HP  | PH | Bracket No. | "AK" Fit | "U" Dim. | Motor Frame |
|-----|----|-------------|----------|----------|-------------|
| 1   | 1  | L05329      | 4-1/2"   | 7/8"     | 143JM       |
| 1   | 3  | L05329      | 4-1/2"   | 7/8"     | 143JM       |
| 1.5 | 1  | L05329      | 4-1/2"   | 7/8"     | 145JM       |
| 1.5 | 3  | L05329      | 4-1/2"   | 7/8"     | 145JM       |
| 2   | 1  | L05329      | 4-1/2"   | 7/8"     | 182JM       |
| 2   | 3  | L05329      | 4-1/2"   | 7/8"     | 145JM       |
| 3   | 1  | L05329      | 4-1/2"   | 7/8"     | 184JM       |
| 3   | 3  | L05329      | 4-1/2"   | 7/8"     | 182JM       |

**NOTE 1:** For an explanation of the tabulated material found on this page and for impeller key location, refer to *Supplement A* located at the beginning of this section.

**NOTE 2:** Sleeve replacement kit available. Berkeley part number B85681 includes the shaft sleeve, adhesive compound and instruction sheet.



# TYPE "B" SINGLE STAGE CENTRIFUGAL PUMP Electric Motor Drive

|                   |              |
|-------------------|--------------|
| Section           | CC           |
| Page              | 160.14       |
| Date              | May 15, 2009 |
| Supersedes 1/1/04 |              |

**BRONZE IMPELLER**

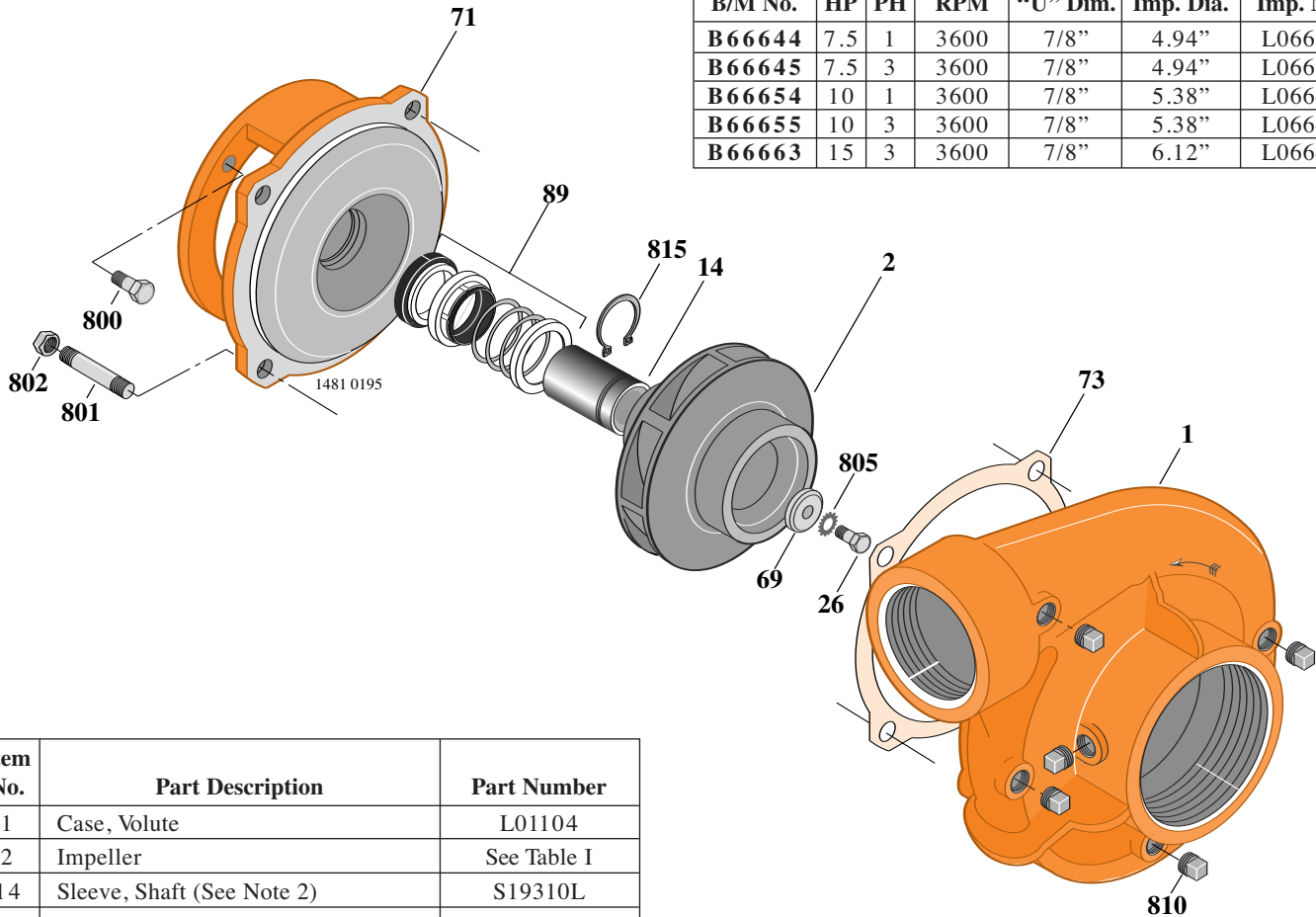
**B3TPMS**

**Threaded Case (NPT)**

**Mechanical Shaft Seal Construction**

**TABLE I**

| B/M No. | HP  | PH | RPM  | "U" Dim. | Imp. Dia. | Imp. No. |
|---------|-----|----|------|----------|-----------|----------|
| B 66644 | 7.5 | 1  | 3600 | 7/8"     | 4.94"     | L06633   |
| B 66645 | 7.5 | 3  | 3600 | 7/8"     | 4.94"     | L06633   |
| B 66654 | 10  | 1  | 3600 | 7/8"     | 5.38"     | L06642   |
| B 66655 | 10  | 3  | 3600 | 7/8"     | 5.38"     | L06642   |
| B 66663 | 15  | 3  | 3600 | 7/8"     | 6.12"     | L06643   |



| Item No. | Part Description                                | Part Number  |
|----------|---|--------------|
| 1        | Case, Volute                                    | L01104       |
| 2        | Impeller  | See Table I  |
| 14       | Sleeve, Shaft (See Note 2)                      | S19310L      |
| 26       | Screw, Impeller 3/8 - 16 x 1"                   | S23566       |
| 32       | Key, 3/16 x 1-1/4" (See Note 1)                 | S34383       |
| 69       | Washer, Impeller                                | S06314       |
| 71       | Bracket   | See Table II |
| 73       | Gasket, Volute                                  | S04757       |
| 89       | Seal, Mechanical Shaft                          | S32014       |
| 800      | Capscrew, 3/8 - 16 x 1" (4 Req.) (For 4-1/2 AK) | S26826       |
| 800      | Capscrew, 1/2 - 13 x 1" (4 Req.) (For 8-1/2 AK) | S26912       |
| 801      | Stud, 1/2 - 13 x 1-1/2" (4 Req.)                | S24043       |
| 802      | Nut, 1/2 - 13 (4 Req.)                          | S23107       |
| 805      | Washer, Lock                                    | S23036       |
| 810      | Plug, Pipe 1/4 NPT (5 Req.)                     | S23715       |
| 815      | Ring, Retaining                                 | S11207       |

**TABLE II**

| HP  | PH | Bracket No. | "AK" Fit | "U" Dim. | Motor Frame |
|-----|----|-------------|----------|----------|-------------|
| 7.5 | 1  | L05328      | 8-1/2"   | 7/8"     | 213JM       |
| 7.5 | 3  | L05329      | 4-1/2"   | 7/8"     | 184JM       |
| 10  | 1  | L05328      | 8-1/2"   | 7/8"     | 215JM       |
| 10  | 3  | L05328      | 8-1/2"   | 7/8"     | 213JM       |
| 15  | 3  | L05328      | 8-1/2"   | 7/8"     | 215JM       |

**NOTE 1:** For an explanation of the tabulated material found on this page and for impeller key location, refer to **Supplement A** located at the beginning of this section.

**NOTE 2:** Sleeve replacement kit available. Berkeley part number B85681 includes the shaft sleeve, adhesive compound and instruction sheet.





# TYPE "B" SINGLE STAGE CENTRIFUGAL PUMP Electric Motor Drive

|                   |                 |
|-------------------|-----------------|
| Section           | CC              |
| Page              | 160.15          |
| Date              | January 1, 2004 |
| Supersedes 6/1/95 |                 |

**BRONZE IMPELLER**

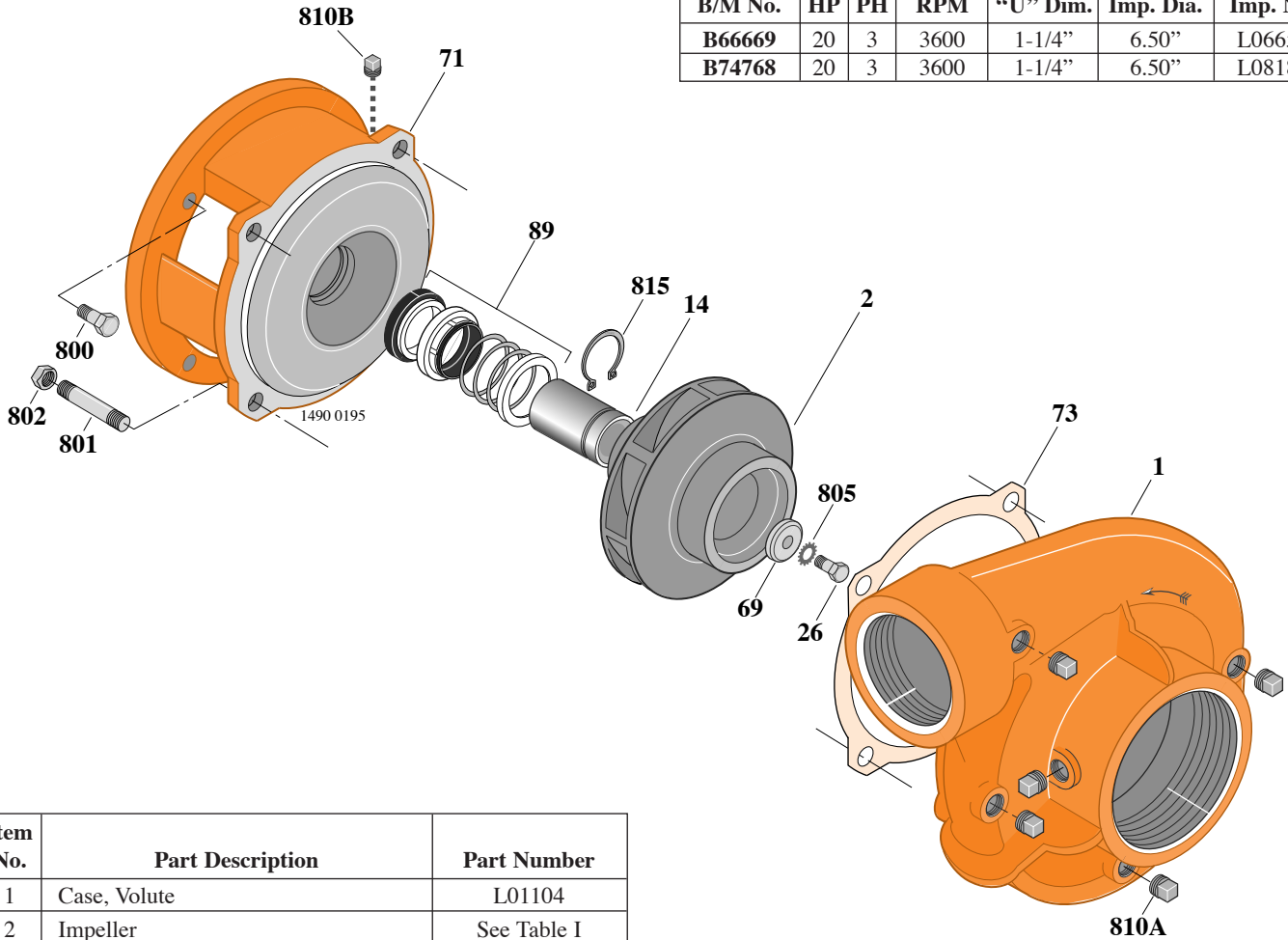
**B3TPMS**

**Threaded Case (NPT)**

**Mechanical Shaft Seal Construction**

**TABLE I**

| B/M No. | HP | PH | RPM  | "U" Dim. | Imp. Dia. | Imp. No. |
|---------|----|----|------|----------|-----------|----------|
| B66669  | 20 | 3  | 3600 | 1-1/4"   | 6.50"     | L06658   |
| B74768  | 20 | 3  | 3600 | 1-1/4"   | 6.50"     | L08187   |



| Item No. | Part Description                 | Part Number  |
|----------|----------------------------------|--------------|
| 1        | Case, Volute                     | L01104       |
| 2        | Impeller                         | See Table I  |
| 14       | Sleeve, Shaft                    | S18869       |
| 26       | Screw, Impeller 1/2 - 13 x 1"    | S23619       |
| 32       | Key, 1/4 x 2-1/4" (See Note)     | S23677       |
| 69       | Washer, Impeller                 | S06319       |
| 71       | Bracket                          | See Table II |
| 73       | Gasket, Volute                   | S04757       |
| 89       | Seal, Mechanical Shaft           | S32015       |
| 800      | Capscrew, 1/2 - 13 x 1" (4 Req.) | S26912       |
| 801      | Stud, 1/2 - 13 x 1-1/2" (4 Req.) | S24043       |
| 802      | Nut, 1/2 - 13 (4 Req.)           | S23107       |
| 805      | Washer, Lock                     | S23038       |
| 810      | Plug, Pipe (5 Req.)              | S23715       |
| 815      | Ring, Retaining                  | S16767       |

**TABLE II**

| HP | PH | Bracket No. | "AK" Fit | "U" Dim. | Motor Frame |
|----|----|-------------|----------|----------|-------------|
| 20 | 3  | L05779      | 8-1/2"   | 1-1/4"   | 254JM       |

**NOTE:** For an explanation of the tabulated material found on this page and for impeller key location, refer to *Supplement A* located at the beginning of this section.



# TYPE "B" SINGLE STAGE CENTRIFUGAL PUMP Electric Motor Drive

|                   |                 |
|-------------------|-----------------|
| Section           | CC              |
| Page              | 160.17          |
| Date              | January 1, 2004 |
| Supersedes 9/1/97 |                 |

**SILICON BRONZE IMPELLER**

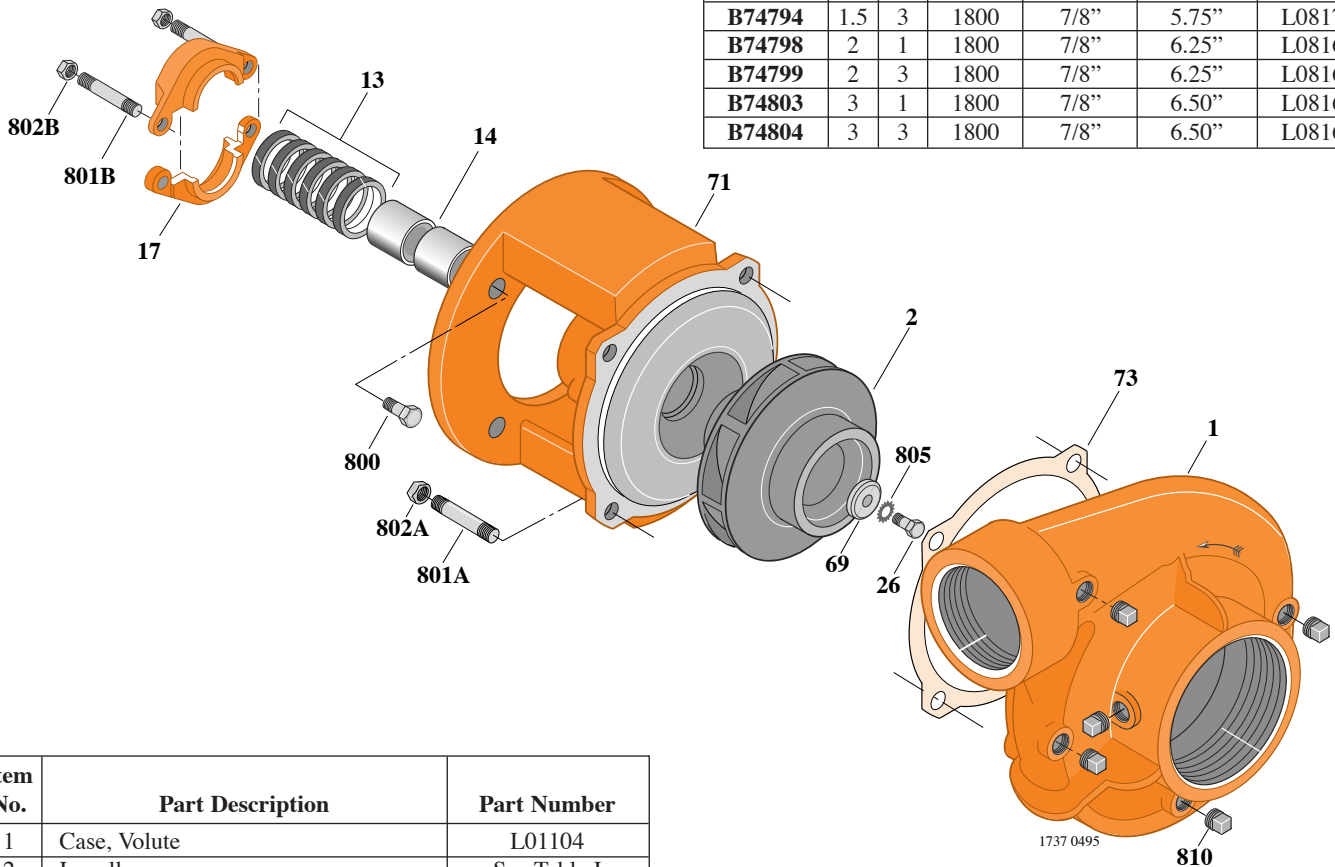
**B3TPM**

**Threaded Case (NPT)**

**Packing Construction**

**TABLE I**

| B/M No.       | HP  | PH | RPM  | "U" Dim. | Imp. Dia. | Imp. No. |
|---------------|-----|----|------|----------|-----------|----------|
| <b>B74788</b> | 1   | 1  | 1800 | 7/8"     | 5.12"     | L08174   |
| <b>B74789</b> | 1   | 3  | 1800 | 7/8"     | 5.12"     | L08174   |
| <b>B74793</b> | 1.5 | 1  | 1800 | 7/8"     | 5.75"     | L08172   |
| <b>B74794</b> | 1.5 | 3  | 1800 | 7/8"     | 5.75"     | L08172   |
| <b>B74798</b> | 2   | 1  | 1800 | 7/8"     | 6.25"     | L08168   |
| <b>B74799</b> | 2   | 3  | 1800 | 7/8"     | 6.25"     | L08168   |
| <b>B74803</b> | 3   | 1  | 1800 | 7/8"     | 6.50"     | L08169   |
| <b>B74804</b> | 3   | 3  | 1800 | 7/8"     | 6.50"     | L08169   |



| Item No. | Part Description                   | Part Number  |
|----------|------------------------------------|--------------|
| 1        | Case, Volute                       | L01104       |
| 2        | Impeller                           | See Table I  |
| 13       | Rings, Packing (Set of 6)          | S13469       |
| 14       | Sleeve, Shaft (2 Req.)             | S00619       |
| 17       | Gland, Packing                     | B82469       |
| 26       | Screw, Impeller 3/8 - 16 x 1"      | S23566       |
| 32       | Key, 3/16 x 1-1/4" (See Note)      | S34383       |
| 69       | Washer, Impeller                   | S06314       |
| 71       | Bracket                            | See Table II |
| 73       | Gasket, Volute                     | S04757       |
| 800      | Capscrew, 3/8 - 16 x 7/8" (4 Req.) | S26825       |
| 801A     | Stud, 1/2 - 13 x 1-1/2" (4 Req.)   | S24043       |
| 801B     | Stud, 3/8 - 16 x 4" (2 Req.)       | S08303       |
| 802A     | Nut, Hex 1/2 - 13 (4 Req.)         | S23107       |
| 802B     | Nut, Hex 3/8 - 16 (2 Req.)         | S23343       |
| 805      | Washer, Lock                       | S23036       |
| 810      | Plug, Pipe 1/4" NPT (5 Req.)       | S23715       |

**TABLE II**

| HP  | PH | Bracket No. | "AK" Fit | "U" Dim. | Motor Frame |
|-----|----|-------------|----------|----------|-------------|
| 1   | 1  | L01525      | 4-1/2"   | 7/8"     | 143JP       |
| 1   | 3  | L01525      | 4-1/2"   | 7/8"     | 143JP       |
| 1.5 | 1  | L01525      | 4-1/2"   | 7/8"     | 145JP       |
| 1.5 | 3  | L01525      | 4-1/2"   | 7/8"     | 145JP       |
| 2   | 1  | L01525      | 4-1/2"   | 7/8"     | 182JP       |
| 2   | 3  | L01525      | 4-1/2"   | 7/8"     | 145JP       |
| 3   | 1  | L01525      | 4-1/2"   | 7/8"     | 184JP       |
| 3   | 3  | L01525      | 4-1/2"   | 7/8"     | 182JP       |

**NOTE:** For an explanation of the tabulated material found on this page and for impeller key location, refer to *Supplement A* located at the beginning of this section.



# TYPE "B" SINGLE STAGE CENTRIFUGAL PUMP Electric Motor Drive

|                   |                 |
|-------------------|-----------------|
| Section           | CC              |
| Page              | 160.18          |
| Date              | January 1, 2004 |
| Supersedes 9/1/97 |                 |

**SILICON BRONZE IMPELLER**

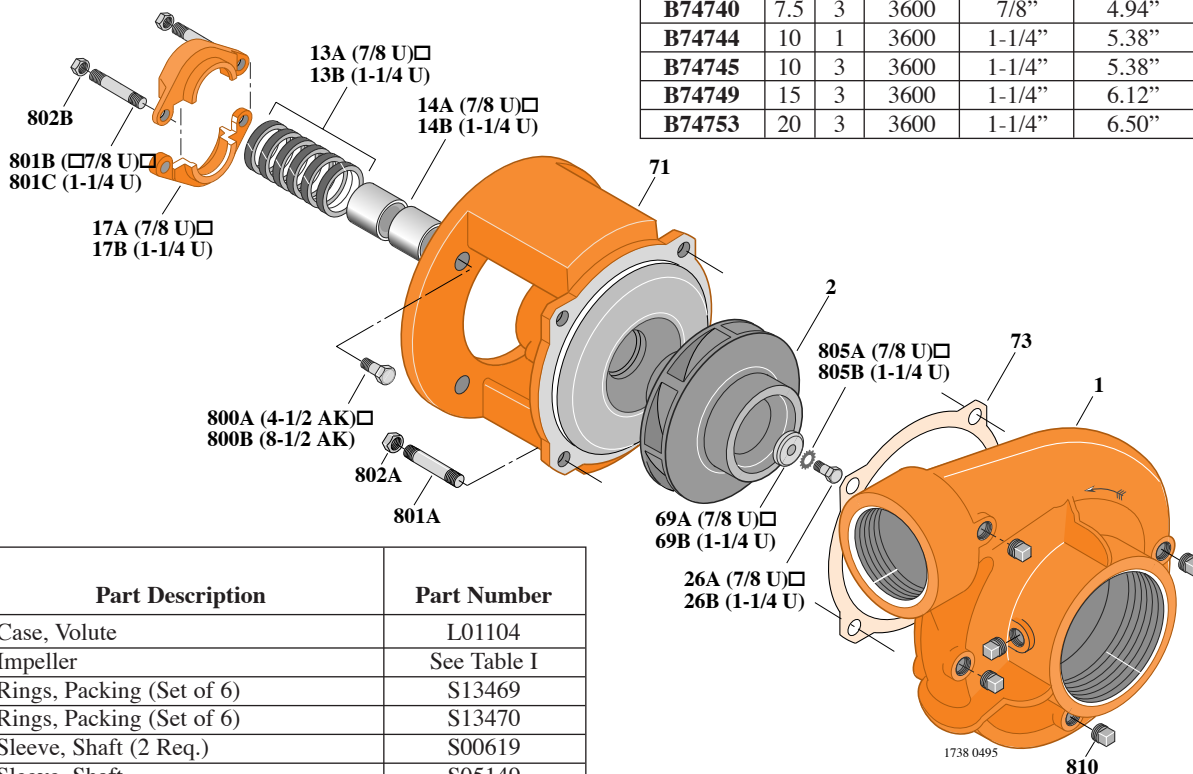
**B3TPM**

**Threaded Case (NPT)**

**Packing Construction**

**TABLE I**

| B/M No. | HP  | PH | RPM  | "U" Dim. | Imp. Dia. | Imp. No. |
|---------|-----|----|------|----------|-----------|----------|
| B74736  | 7.5 | 1  | 3600 | 1-1/4"   | 4.94"     | L08183   |
| B74740  | 7.5 | 3  | 3600 | 7/8"     | 4.94"     | L08175   |
| B74744  | 10  | 1  | 3600 | 1-1/4"   | 5.38"     | L08184   |
| B74745  | 10  | 3  | 3600 | 1-1/4"   | 5.38"     | L08184   |
| B74749  | 15  | 3  | 3600 | 1-1/4"   | 6.12"     | L08186   |
| B74753  | 20  | 3  | 3600 | 1-1/4"   | 6.50"     | L08187   |



| Item No. | Part Description                   | Part Number  |
|----------|------------------------------------|--------------|
| 1        | Case, Volute                       | L01104       |
| 2        | Impeller                           | See Table I  |
| 13A      | Rings, Packing (Set of 6)          | S13469       |
| 13B      | Rings, Packing (Set of 6)          | S13470       |
| 14A      | Sleeve, Shaft (2 Req.)             | S00619       |
| 14B      | Sleeve, Shaft                      | S05149       |
| 17A      | Gland, Packing                     | B82469       |
| 17B      | Gland, Packing                     | B82470       |
| 26A      | Screw, Impeller 3/8 - 16 x 1"      | S23566       |
| 26B      | Screw, Impeller 1/2 - 13 x 1"      | S23619       |
| 32A      | Key, 3/16 x 1-1/4" (See Note)      | S34383       |
| 32B      | Key, 1/4 x 2-1/4" (See Note)       | S23677       |
| 69A      | Washer, Impeller                   | S06314       |
| 69B      | Washer, Impeller                   | S06319       |
| 71       | Bracket                            | See Table II |
| 73       | Gasket, Volute                     | S04757       |
| 800A     | Capscrew, 3/8 - 16 x 7/8" (4 Req.) | S26825       |
| 800B     | Capscrew, 1/2 - 13 x 1" (4 Req.)   | S26912       |
| 801A     | Stud, 1/2 - 13 x 1-1/2" (4 Req.)   | S24043       |
| 801B     | Stud, 3/8 - 16 x 4" (2 Req.)       | S08303       |
| 801C     | Stud, 3/8 - 16 x 3-1/2" (2 Req.)   | S04441       |
| 802A     | Nut, Hex 1/2 - 13 (4 Req.)         | S23107       |
| 802B     | Nut, Hex 3/8 - 16 (2 Req.)         | S23343       |
| 805A     | Washer, Lock                       | S23036       |
| 805B     | Washer, Lock                       | S23038       |
| 810      | Plug, Pipe 1/4" NPT (5 Req.)       | S23715       |

**TABLE II**

| HP  | PH | Bracket No. | "AK" Fit | "U" Dim. | Motor Frame |
|-----|----|-------------|----------|----------|-------------|
| 7.5 | 1  | L01951      | 8-1/2"   | 1-1/4"   | 213JP       |
| 7.5 | 3  | L01525      | 4-1/2"   | 7/8"     | 184JP       |
| 10  | 1  | L01951      | 8-1/2"   | 1-1/4"   | 215JP       |
| 10  | 3  | L01951      | 8-1/2"   | 1-1/4"   | 213JP       |
| 15  | 3  | L01951      | 8-1/2"   | 1-1/4"   | 215JP       |
| 20  | 3  | L01951      | 8-1/2"   | 1-1/4"   | 254JP       |

**NOTE:** For an explanation of the tabulated material found on this page and for impeller key location, refer to *Supplement A* located at the beginning of this section.



# TYPE "B" SINGLE STAGE CENTRIFUGAL PUMP Electric Motor Drive

|                   |                 |
|-------------------|-----------------|
| Section           | CC              |
| Page              | 160.19          |
| Date              | January 1, 2004 |
| Supersedes 9/1/97 |                 |

**SILICON BRONZE IMPELLER**

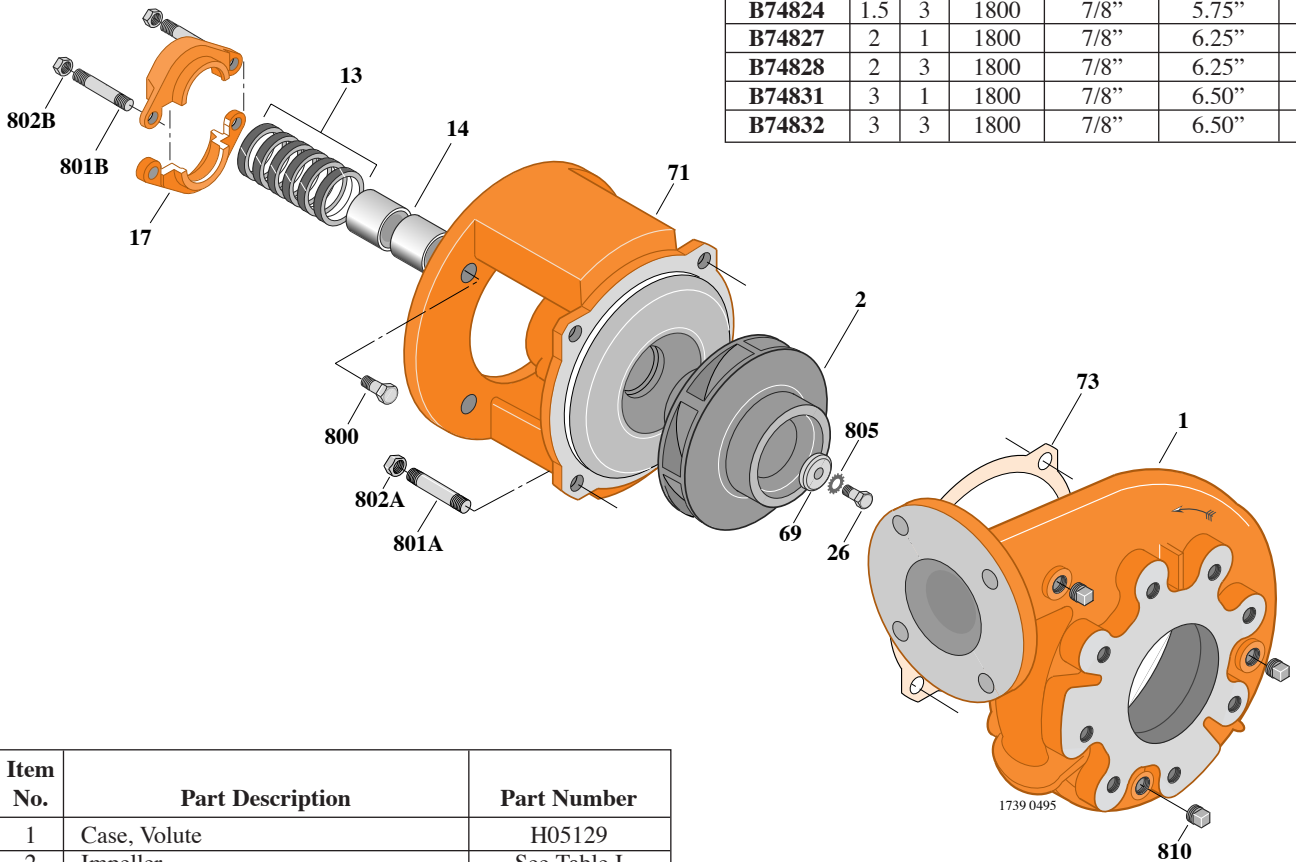
**B3TPM**

**Flanged Case**

**Packing Construction**

**TABLE I**

| B/M No.       | HP  | PH | RPM  | "U" Dim. | Imp. Dia. | Imp. No. |
|---------------|-----|----|------|----------|-----------|----------|
| <b>B74819</b> | 1   | 1  | 1800 | 7/8"     | 5.12"     | L08174   |
| <b>B74820</b> | 1   | 3  | 1800 | 7/8"     | 5.12"     | L08174   |
| <b>B74823</b> | 1.5 | 1  | 1800 | 7/8"     | 5.75"     | L08172   |
| <b>B74824</b> | 1.5 | 3  | 1800 | 7/8"     | 5.75"     | L08172   |
| <b>B74827</b> | 2   | 1  | 1800 | 7/8"     | 6.25"     | L08168   |
| <b>B74828</b> | 2   | 3  | 1800 | 7/8"     | 6.25"     | L08168   |
| <b>B74831</b> | 3   | 1  | 1800 | 7/8"     | 6.50"     | L08169   |
| <b>B74832</b> | 3   | 3  | 1800 | 7/8"     | 6.50"     | L08169   |



| Item No. | Part Description                   | Part Number  |
|----------|------------------------------------|--------------|
| 1        | Case, Volute                       | H05129       |
| 2        | Impeller                           | See Table I  |
| 13       | Rings, Packing (Set of 6)          | S13469       |
| 14       | Sleeve, Shaft (2 Req.)             | S00619       |
| 17       | Gland, Packing                     | B82469       |
| 26       | Screw, Impeller 3/8 - 16 x 1"      | S23566       |
| 32       | Key, 3/16 x 1-1/4" (See Note)      | S34383       |
| 69       | Washer, Impeller                   | S06314       |
| 71       | Bracket                            | See Table II |
| 73       | Gasket, Volute                     | S04757       |
| 800      | Capscrew, 3/8 - 16 x 7/8" (4 Req.) | S26825       |
| 801A     | Stud, 1/2 - 13 x 1-1/2" (4 Req.)   | S24043       |
| 801B     | Stud, 3/8 - 16 x 4" (2 Req.)       | S08303       |
| 802A     | Nut, Hex 1/2 - 13 (4 Req.)         | S23107       |
| 802B     | Nut, Hex 3/8 - 16 (2 Req.)         | S23343       |
| 805      | Washer, Lock                       | S23036       |
| 810      | Plug, Pipe 1/4" NPT (3 Req.)       | S23715       |

**TABLE II**

| HP  | PH | Bracket No. | "AK" Fit | "U" Dim. | Motor Frame |
|-----|----|-------------|----------|----------|-------------|
| 1   | 1  | L01525      | 4-1/2"   | 7/8"     | 143JP       |
| 1   | 3  | L01525      | 4-1/2"   | 7/8"     | 143JP       |
| 1.5 | 1  | L01525      | 4-1/2"   | 7/8"     | 145JP       |
| 1.5 | 3  | L01525      | 4-1/2"   | 7/8"     | 145JP       |
| 2   | 1  | L01525      | 4-1/2"   | 7/8"     | 182JP       |
| 2   | 3  | L01525      | 4-1/2"   | 7/8"     | 145JP       |
| 3   | 1  | L01525      | 4-1/2"   | 7/8"     | 184JP       |
| 3   | 3  | L01525      | 4-1/2"   | 7/8"     | 182JP       |

**NOTE:** For an explanation of the tabulated material found on this page and for impeller key location, refer to *Supplement A* located at the beginning of this section.



# TYPE "B" SINGLE STAGE CENTRIFUGAL PUMP Electric Motor Drive

|                   |                 |
|-------------------|-----------------|
| Section           | CC              |
| Page              | 160.20          |
| Date              | January 1, 2004 |
| Supersedes 9/1/97 |                 |

**SILICON BRONZE IMPELLER**

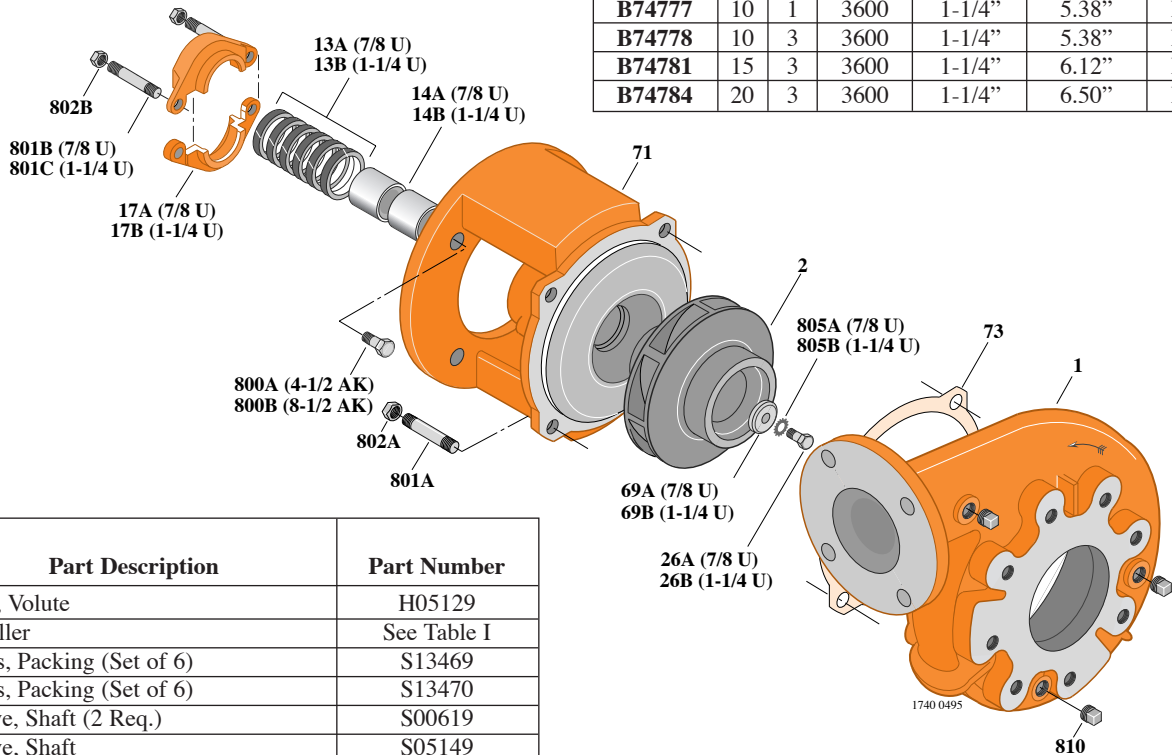
**B3TPM**

**Flanged Case**

**Packing Construction**

**TABLE I**

| B/M No. | HP  | PH | RPM  | "U" Dim. | Imp. Dia. | Imp. No. |
|---------|-----|----|------|----------|-----------|----------|
| B74771  | 7.5 | 1  | 3600 | 1-1/4"   | 4.94"     | L08183   |
| B74774  | 7.5 | 3  | 3600 | 7/8"     | 4.94"     | L08175   |
| B74777  | 10  | 1  | 3600 | 1-1/4"   | 5.38"     | L08184   |
| B74778  | 10  | 3  | 3600 | 1-1/4"   | 5.38"     | L08184   |
| B74781  | 15  | 3  | 3600 | 1-1/4"   | 6.12"     | L08186   |
| B74784  | 20  | 3  | 3600 | 1-1/4"   | 6.50"     | L08187   |



| Item No. | Part Description                   | Part Number  |
|----------|------------------------------------|--------------|
| 1        | Case, Volute                       | H05129       |
| 2        | Impeller                           | See Table I  |
| 13A      | Rings, Packing (Set of 6)          | S13469       |
| 13B      | Rings, Packing (Set of 6)          | S13470       |
| 14A      | Sleeve, Shaft (2 Req.)             | S00619       |
| 14B      | Sleeve, Shaft                      | S05149       |
| 17A      | Gland, Packing                     | B82469       |
| 17B      | Gland, Packing                     | B82470       |
| 26A      | Screw, Impeller 3/8 - 16 x 1"      | S23566       |
| 26B      | Screw, Impeller 1/2 - 13 x 1"      | S23619       |
| 32A      | Key, 3/16 x 1-1/4" (See Note)      | S34383       |
| 32B      | Key, 1/4 x 2-1/4" (See Note)       | S23677       |
| 69A      | Washer, Impeller                   | S06314       |
| 69B      | Washer, Impeller                   | S06319       |
| 71       | Bracket                            | See Table II |
| 73       | Gasket, Volute                     | S04757       |
| 800A     | Capscrew, 3/8 - 16 x 7/8" (4 Req.) | S26825       |
| 800B     | Capscrew, 1/2 - 13 x 1" (4 Req.)   | S26912       |
| 801A     | Stud, 1/2 - 13 x 1-1/2" (4 Req.)   | S24043       |
| 801B     | Stud, 3/8 - 16 x 4" (2 Req.)       | S08303       |
| 801C     | Stud, 3/8 - 16 x 3-1/2" (2 Req.)   | S04441       |
| 802A     | Nut, Hex 1/2 - 13 (4 Req.)         | S23107       |
| 802B     | Nut, Hex 3/8 - 16 (2 Req.)         | S23343       |
| 805A     | Washer, Lock                       | S23036       |
| 805B     | Washer, Lock                       | S23038       |
| 810      | Plug, Pipe 1/4" NPT (3 Req.)       | S23715       |

**TABLE II**

| HP  | PH | Bracket No. | "AK" Fit | "U" Dim. | Motor Frame |
|-----|----|-------------|----------|----------|-------------|
| 7.5 | 1  | L01951      | 8-1/2"   | 1-1/4"   | 213JP       |
| 7.5 | 3  | L01525      | 4-1/2"   | 7/8"     | 184JP       |
| 10  | 1  | L01951      | 8-1/2"   | 1-1/4"   | 215JP       |
| 10  | 3  | L01951      | 8-1/2"   | 1-1/4"   | 213JP       |
| 15  | 3  | L01951      | 8-1/2"   | 1-1/4"   | 215JP       |
| 20  | 3  | L01951      | 8-1/2"   | 1-1/4"   | 254JP       |

**NOTE:** For an explanation of the tabulated material found on this page and for impeller key location, refer to *Supplement A* located at the beginning of this section.



# TYPE "B" SINGLE STAGE CENTRIFUGAL PUMP Electric Motor Drive

|                   |              |
|-------------------|--------------|
| Section           | CC           |
| Page              | 160.21       |
| Date              | May 15, 2009 |
| Supersedes 1/1/04 |              |

**SILICON BRONZE IMPELLER**

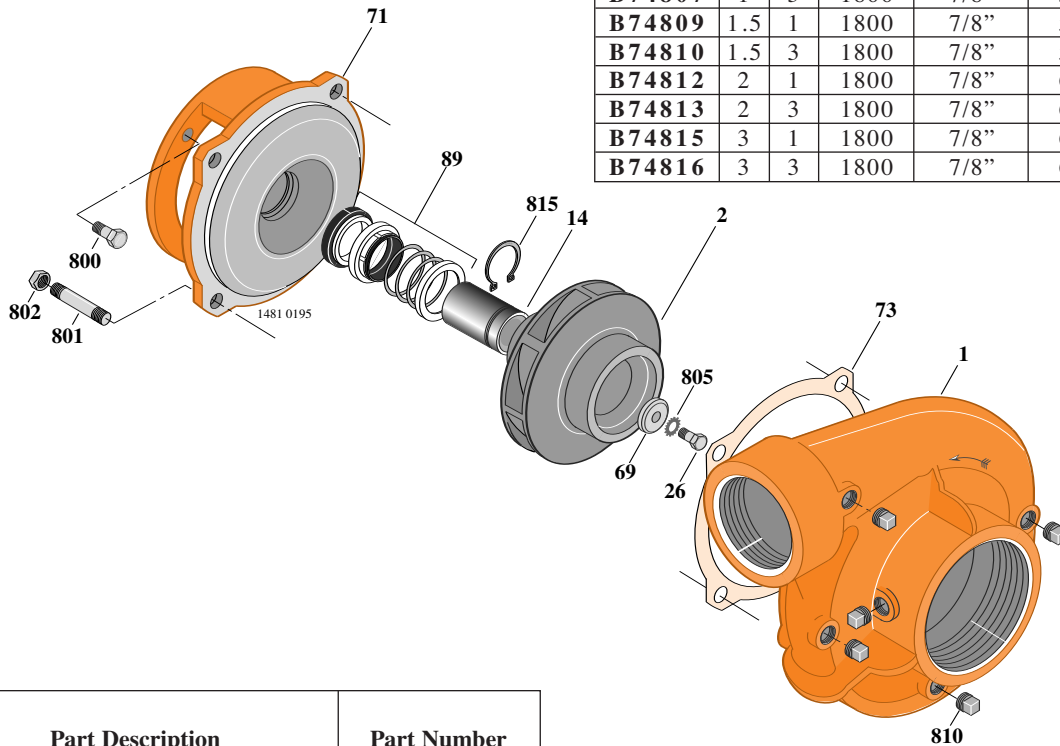
**B3TPMS**

**Threaded Case (NPT)**

**Mechanical Shaft Seal Construction**

**TABLE I**

| B/M No. | HP  | PH | RPM  | "U" Dim. | Imp. Dia. | Imp. No. |
|---------|-----|----|------|----------|-----------|----------|
| B74806  | 1   | 1  | 1800 | 7/8"     | 5.12"     | L08174   |
| B74807  | 1   | 3  | 1800 | 7/8"     | 5.12"     | L08174   |
| B74809  | 1.5 | 1  | 1800 | 7/8"     | 5.75"     | L08172   |
| B74810  | 1.5 | 3  | 1800 | 7/8"     | 5.75"     | L08172   |
| B74812  | 2   | 1  | 1800 | 7/8"     | 6.25"     | L08168   |
| B74813  | 2   | 3  | 1800 | 7/8"     | 6.25"     | L08168   |
| B74815  | 3   | 1  | 1800 | 7/8"     | 6.50"     | L08169   |
| B74816  | 3   | 3  | 1800 | 7/8"     | 6.50"     | L08169   |



| Item No. | Part Description                 | Part Number  |
|----------|----------------------------------|--------------|
| 1        | Case, Volute                     | L01104       |
| 2        | Impeller                         | See Table I  |
| 14       | Sleeve, Shaft (See Note 2)       | S19310L      |
| 26       | Screw, Impeller 3/8 - 16 x 1"    | S23566       |
| 32       | Key, 3/16 x 1-1/4" (See Note 1)  | S34383       |
| 69       | Washer, Impeller                 | S06314       |
| 71       | Bracket                          | See Table II |
| 73       | Gasket, Volute                   | S04757       |
| 89       | Seal, Mechanical Shaft           | S32014       |
| 800      | Capscrew, 3/8 - 16 x 1" (4 Req.) | S26826       |
| 801      | Stud, 1/2 - 13 x 1-1/2" (4 Req.) | S24043       |
| 802      | Nut, 1/2 - 13 (4 Req.)           | S23107       |
| 805      | Washer, Lock                     | S23036       |
| 810      | Plug, Pipe 1/4" NPT (5 Req.)     | S23715       |
| 815      | Ring, Retaining                  | S11207       |
| •        | Plug, Pipe 1/8" NPT (In Bracket) | S23714       |

• Not illustrated.

**TABLE II**

| HP  | PH | Bracket No. | "AK" Fit | "U" Dim. | Motor Frame |
|-----|----|-------------|----------|----------|-------------|
| 1   | 1  | L05329      | 4-1/2"   | 7/8"     | 143JM       |
| 1   | 3  | L05329      | 4-1/2"   | 7/8"     | 143JM       |
| 1.5 | 1  | L05329      | 4-1/2"   | 7/8"     | 145JM       |
| 1.5 | 3  | L05329      | 4-1/2"   | 7/8"     | 145JM       |
| 2   | 1  | L05329      | 4-1/2"   | 7/8"     | 182JM       |
| 2   | 3  | L05329      | 4-1/2"   | 7/8"     | 145JM       |
| 3   | 1  | L05329      | 4-1/2"   | 7/8"     | 184JM       |
| 3   | 3  | L05329      | 4-1/2"   | 7/8"     | 182JM       |

**NOTE 1:** For an explanation of the tabulated material found on this page and for impeller key location, refer to *Supplement A* located at the beginning of this section.

**NOTE 2:** Sleeve replacement kit available. Berkeley part number B85681 includes the shaft sleeve, adhesive compound and instruction sheet.

**NOTE 3:** For seal flush line details, see *Supplement D*.





# TYPE "B" SINGLE STAGE CENTRIFUGAL PUMP Electric Motor Drive

|                   |              |
|-------------------|--------------|
| Section           | CC           |
| Page              | 160.22       |
| Date              | May 15, 2009 |
| Supersedes 1/1/04 |              |

## SILICON BRONZE IMPELLER

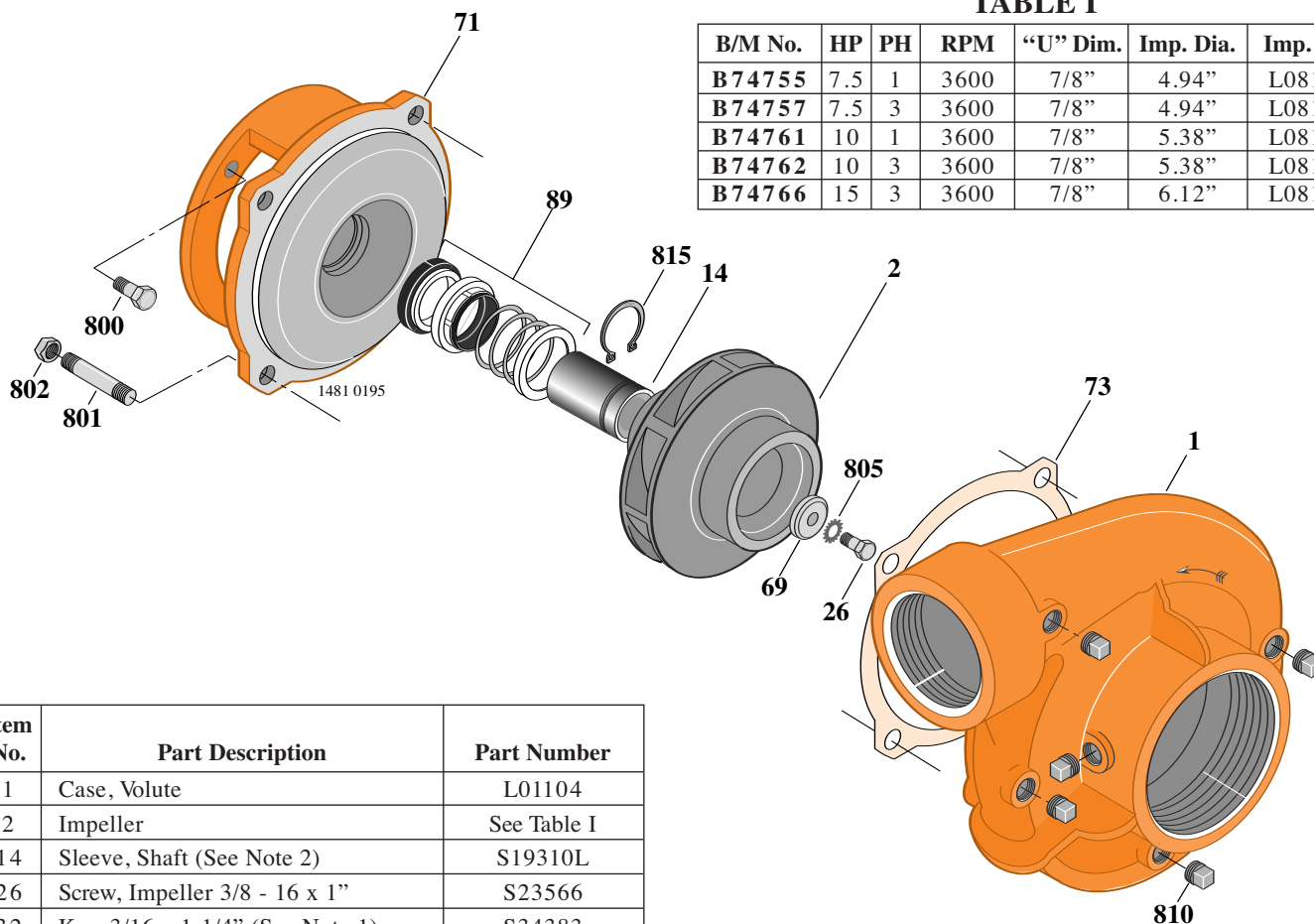
## B3TPMS

### Threaded Case (NPT)

### Mechanical Shaft Seal Construction

**TABLE I**

| B/M No.       | HP  | PH | RPM  | "U" Dim. | Imp. Dia. | Imp. No. |
|---------------|-----|----|------|----------|-----------|----------|
| <b>B74755</b> | 7.5 | 1  | 3600 | 7/8"     | 4.94"     | L08175   |
| <b>B74757</b> | 7.5 | 3  | 3600 | 7/8"     | 4.94"     | L08175   |
| <b>B74761</b> | 10  | 1  | 3600 | 7/8"     | 5.38"     | L08173   |
| <b>B74762</b> | 10  | 3  | 3600 | 7/8"     | 5.38"     | L08173   |
| <b>B74766</b> | 15  | 3  | 3600 | 7/8"     | 6.12"     | L08167   |



| Item No. | Part Description                                | Part Number  |
|----------|---|--------------|
| 1        | Case, Volute                                    | L01104       |
| 2        | Impeller  | See Table I  |
| 14       | Sleeve, Shaft (See Note 2)                      | S19310L      |
| 26       | Screw, Impeller 3/8 - 16 x 1"                   | S23566       |
| 32       | Key, 3/16 x 1-1/4" (See Note 1)                 | S34383       |
| 69       | Washer, Impeller                                | S06314       |
| 71       | Bracket   | See Table II |
| 73       | Gasket, Volute                                  | S04757       |
| 89       | Seal, Mechanical Shaft                          | S32014       |
| 800      | Capscrew, 3/8 - 16 x 1" (4 Req.) (For 4-1/2 AK) | S26826       |
| 800      | Capscrew, 1/2 - 13 x 1" (4 Req.) (For 8-1/2 AK) | S26912       |
| 801      | Stud, 1/2 - 13 x 1-1/2" (4 Req.)                | S24043       |
| 802      | Nut, 1/2 - 13 (4 Req.)                          | S23107       |
| 805      | Washer, Lock                                    | S23036       |
| 810      | Plug, Pipe 1/4" NPT (5 Req.)                    | S23715       |
| 815      | Ring, Retaining                                 | S11207       |
| •        | Plug, Pipe 1/8" NPT (In Bracket)                | S23714       |

• Not illustrated.

**TABLE II**

| HP  | PH | Bracket No. | "AK" Fit | "U" Dim. | Motor Frame |
|-----|----|-------------|----------|----------|-------------|
| 7.5 | 1  | L05328      | 8-1/2"   | 7/8"     | 213JM       |
| 7.5 | 3  | L05329      | 4-1/2"   | 7/8"     | 184JM       |
| 10  | 1  | L05328      | 8-1/2"   | 7/8"     | 215JM       |
| 10  | 3  | L05328      | 8-1/2"   | 7/8"     | 213JM       |
| 15  | 3  | L05328      | 8-1/2"   | 7/8"     | 215JM       |

**NOTE 1:** For an explanation of the tabulated material found on this page and for impeller key location, refer to *Supplement A* located at the beginning of this section.

**NOTE 2:** Sleeve replacement kit available. Berkeley part number B85681 includes the shaft sleeve, adhesive compound and instruction sheet.

**NOTE 3:** For seal flush line details, see *Supplement D*.



# TYPE "B" SINGLE STAGE CENTRIFUGAL PUMP Electric Motor Drive

|                |                   |
|----------------|-------------------|
| Section        | CC                |
| Page           | 160.23            |
| Date           | September 1, 1997 |
| Supersedes/New |                   |

## SILICON BRONZE IMPELLER

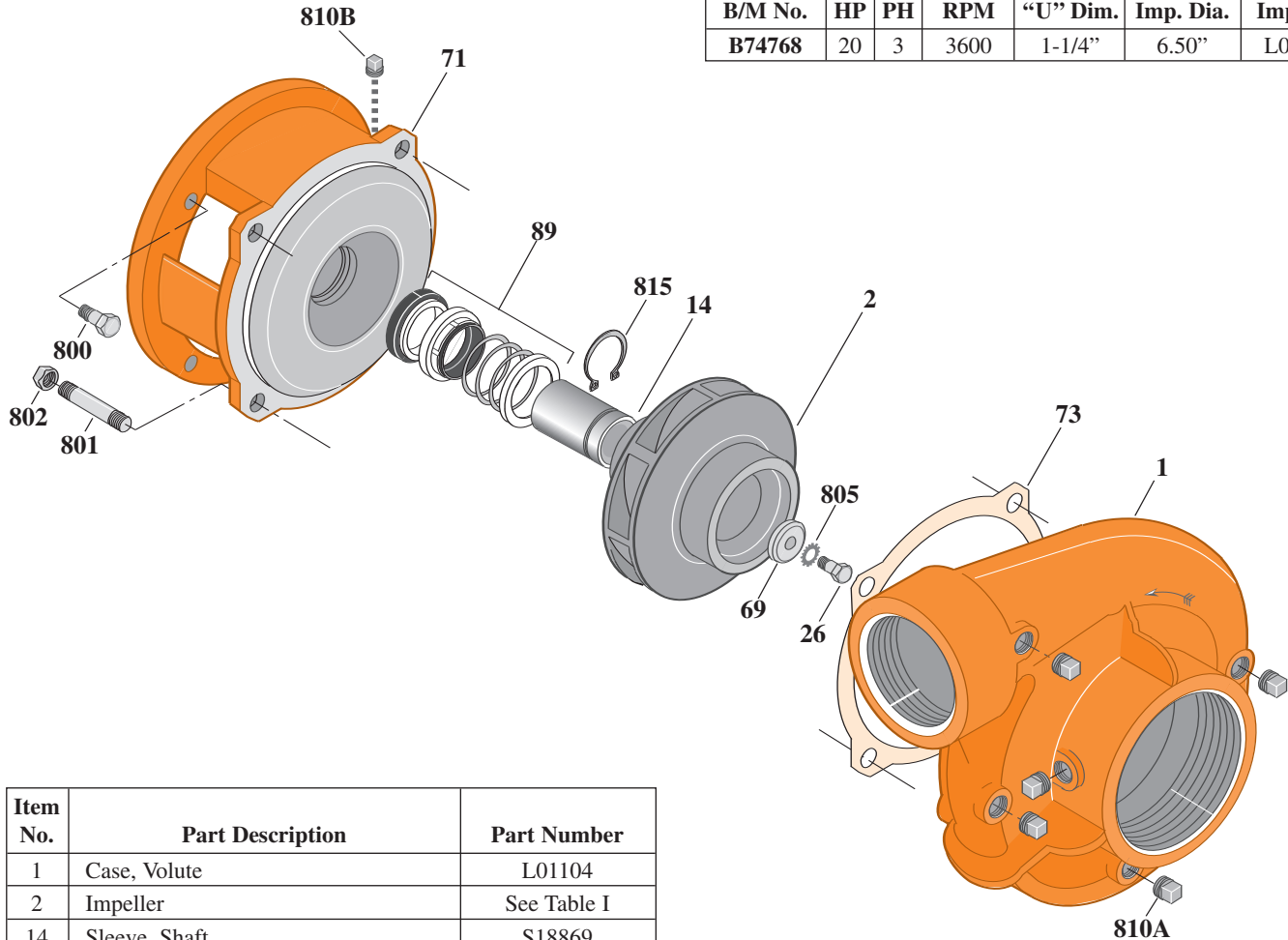
## B3TPMS

### Threaded Case (NPT)

### Mechanical Shaft Seal Construction

**TABLE I**

| B/M No. | HP | PH | RPM  | "U" Dim. | Imp. Dia. | Imp. No. |
|---------|----|----|------|----------|-----------|----------|
| B74768  | 20 | 3  | 3600 | 1-1/4"   | 6.50"     | L08187   |



| Item No. | Part Description                 | Part Number  |
|----------|----------------------------------|--------------|
| 1        | Case, Volute                     | L01104       |
| 2        | Impeller                         | See Table I  |
| 14       | Sleeve, Shaft                    | S18869       |
| 26       | Screw, Impeller 1/2 - 13 x 1"    | S23619       |
| 32       | Key, 1/4 x 2-1/4" (See Note)     | S23677       |
| 69       | Washer, Impeller                 | S06319       |
| 71       | Bracket                          | See Table II |
| 73       | Gasket, Volute                   | S04757       |
| 89       | Seal, Mechanical Shaft           | S32015       |
| 800      | Capscrew, 1/2 - 13 x 1" (4 Req.) | S26912       |
| 801      | Stud, 1/2 - 13 x 1-1/2" (4 Req.) | S24043       |
| 802      | Nut, 1/2 - 13 (4 Req.)           | S23107       |
| 805      | Washer, Lock                     | S23038       |
| 810A     | Plug, Pipe 1/4" NPT (5 Req.)     | S23715       |
| 810B     | Plug, Pipe 1/8" NPT (In Bracket) | S23714       |
| 815      | Ring, Retaining                  | S16767       |

**TABLE II**

| HP | PH | Bracket No. | "AK" Fit | "U" Dim. | Motor Frame |
|----|----|-------------|----------|----------|-------------|
| 20 | 3  | L05779      | 8-1/2"   | 1-1/4"   | 254JM       |

**NOTE:** For an explanation of the tabulated material found on this page and for impeller key location, refer to *Supplement A* located at the beginning of this section.

**NOTE:** For seal flush line details, see *Supplement D*.



# TYPE "B" SINGLE STAGE CENTRIFUGAL PUMP Electric Motor Drive

|                   |              |
|-------------------|--------------|
| Section           | CC           |
| Page              | 160.24       |
| Date              | May 15, 2009 |
| Supersedes 1/1/04 |              |

**SILICON BRONZE IMPELLER**

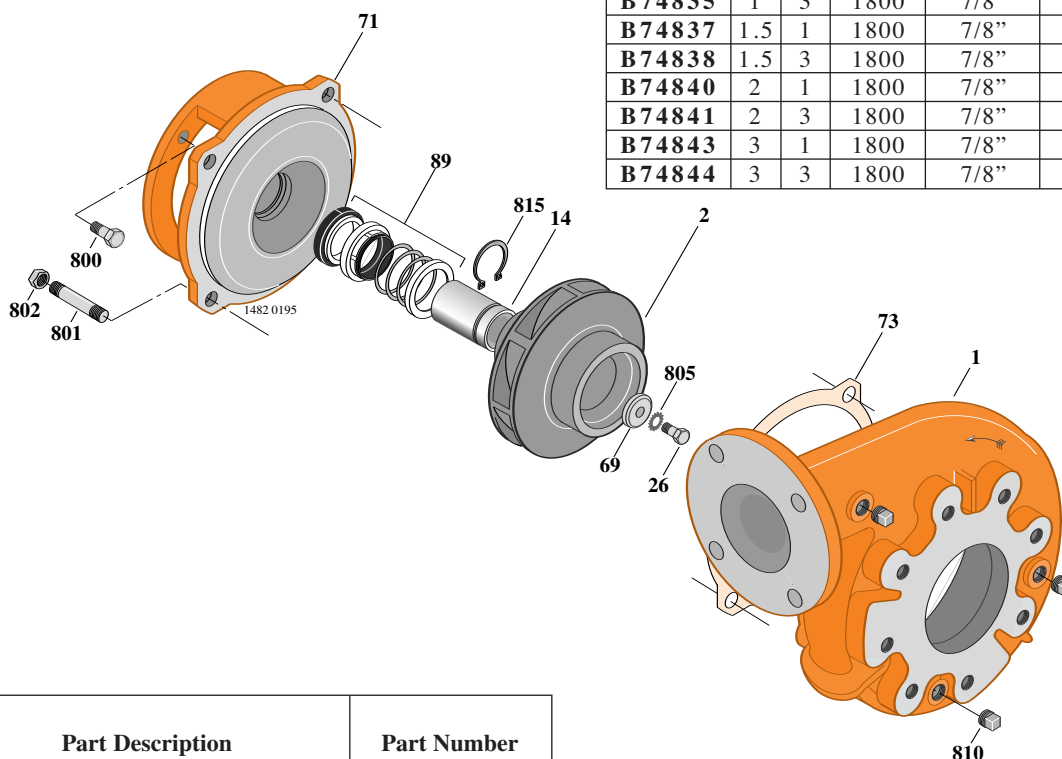
**B3TPMS**

**Flanged Case**

**Mechanical Shaft Seal Construction**

**TABLE I**

| B/M No.       | HP  | PH | RPM  | "U" Dim. | Imp. Dia. | Imp. No. |
|---------------|-----|----|------|----------|-----------|----------|
| <b>B74834</b> | 1   | 1  | 1800 | 7/8"     | 5.12"     | L08174   |
| <b>B74835</b> | 1   | 3  | 1800 | 7/8"     | 5.12"     | L08174   |
| <b>B74837</b> | 1.5 | 1  | 1800 | 7/8"     | 5.75"     | L08172   |
| <b>B74838</b> | 1.5 | 3  | 1800 | 7/8"     | 5.75"     | L08172   |
| <b>B74840</b> | 2   | 1  | 1800 | 7/8"     | 6.25"     | L08168   |
| <b>B74841</b> | 2   | 3  | 1800 | 7/8"     | 6.25"     | L08168   |
| <b>B74843</b> | 3   | 1  | 1800 | 7/8"     | 6.50"     | L08169   |
| <b>B74844</b> | 3   | 3  | 1800 | 7/8"     | 6.50"     | L08169   |



| Item No. | Part Description                 | Part Number  |
|----------|----------------------------------|--------------|
| 1        | Case, Volute                     | H05129       |
| 2        | Impeller                         | See Table I  |
| 14       | Sleeve, Shaft (See Note 2)       | S19310L      |
| 26       | Screw, Impeller 3/8 - 16 x 1"    | S23566       |
| 32       | Key, 3/16 x 1-1/4" (See Note 1)  | S34383       |
| 69       | Washer, Impeller                 | S06314       |
| 71       | Bracket                          | See Table II |
| 73       | Gasket, Volute                   | S04757       |
| 89       | Seal, Mechanical Shaft           | S32014       |
| 800      | Capscrew, 3/8 - 16 x 1" (4 Req.) | S26826       |
| 801      | Stud, 1/2 - 13 x 1-1/2" (4 Req.) | S24043       |
| 802      | Nut, 1/2 - 13 (4 Req.)           | S23107       |
| 805      | Washer, Lock                     | S23036       |
| 810      | Plug, Pipe 1/4" NPT (3 Req.)     | S23715       |
| 815      | Ring, Retaining                  | S11207       |
| •        | Plug, Pipe 1/8" NPT (In Bracket) | S23714       |

• Not illustrated.

**TABLE II**

| HP  | PH | Bracket No. | "AK" Fit | "U" Dim. | Motor Frame |
|-----|----|-------------|----------|----------|-------------|
| 1   | 1  | L05329      | 4-1/2"   | 7/8"     | 143JM       |
| 1   | 3  | L05329      | 4-1/2"   | 7/8"     | 143JM       |
| 1.5 | 1  | L05329      | 4-1/2"   | 7/8"     | 145JM       |
| 1.5 | 3  | L05329      | 4-1/2"   | 7/8"     | 145JM       |
| 2   | 1  | L05329      | 4-1/2"   | 7/8"     | 182JM       |
| 2   | 3  | L05329      | 4-1/2"   | 7/8"     | 145JM       |
| 3   | 1  | L05329      | 4-1/2"   | 7/8"     | 184JM       |
| 3   | 3  | L05329      | 4-1/2"   | 7/8"     | 182JM       |

**NOTE 1:** For an explanation of the tabulated material found on this page and for impeller key location, refer to **Supplement A** located at the beginning of this section.

**NOTE 2:** Sleeve replacement kit available. Berkeley part number B85681 includes the shaft sleeve, adhesive compound and instruction sheet.

**NOTE 3:** For seal flush line details, see **Supplement D**.



# TYPE "B" SINGLE STAGE CENTRIFUGAL PUMP Electric Motor Drive

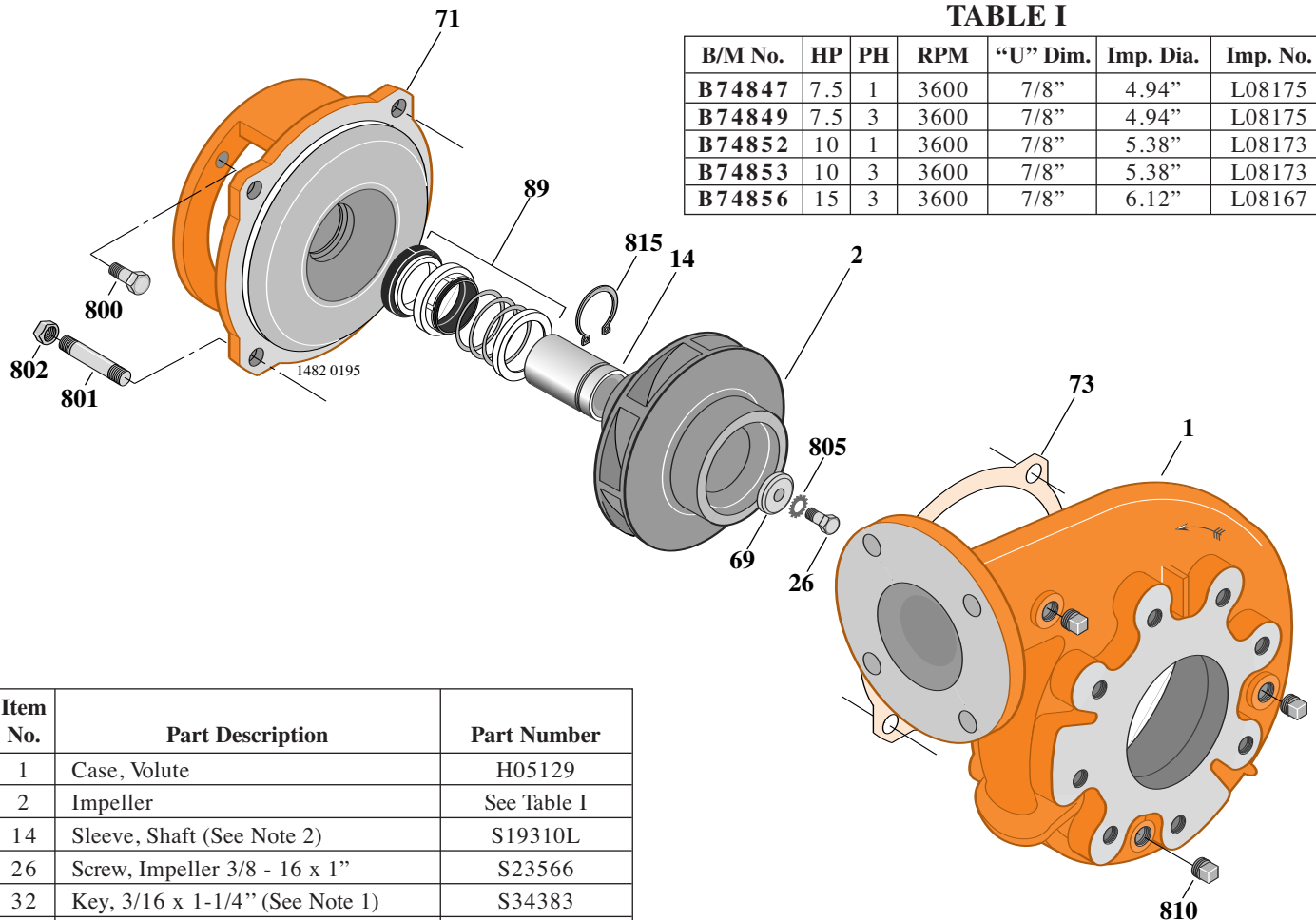
|                   |              |
|-------------------|--------------|
| Section           | CC           |
| Page              | 160.25       |
| Date              | May 15, 2009 |
| Supersedes 1/1/04 |              |

## SILICON BRONZE IMPELLER

## B3TPMS

### Flanged Case

### Mechanical Shaft Seal Construction



**TABLE I**

| B/M No. | HP  | PH | RPM  | "U" Dim. | Imp. Dia. | Imp. No. |
|---------|-----|----|------|----------|-----------|----------|
| B74847  | 7.5 | 1  | 3600 | 7/8"     | 4.94"     | L08175   |
| B74849  | 7.5 | 3  | 3600 | 7/8"     | 4.94"     | L08175   |
| B74852  | 10  | 1  | 3600 | 7/8"     | 5.38"     | L08173   |
| B74853  | 10  | 3  | 3600 | 7/8"     | 5.38"     | L08173   |
| B74856  | 15  | 3  | 3600 | 7/8"     | 6.12"     | L08167   |

| Item No. | Part Description                                | Part Number  |
|----------|---|--------------|
| 1        | Case, Volute                                    | H05129       |
| 2        | Impeller  | See Table I  |
| 14       | Sleeve, Shaft (See Note 2)                      | S19310L      |
| 26       | Screw, Impeller 3/8 - 16 x 1"                   | S23566       |
| 32       | Key, 3/16 x 1-1/4" (See Note 1)                 | S34383       |
| 40       | Washer, Impeller                                | S06314       |
| 71       | Bracket   | See Table II |
| 73       | Gasket, Volute                                  | S04757       |
| 89       | Seal, Mechanical Shaft                          | S32014       |
| 800      | Capscrew, 3/8 - 16 x 1" (4 Req.) (For 4-1/2 AK) | S26826       |
| 800      | Capscrew, 1/2 - 13 x 1" (4 Req.) (For 8-1/2 AK) | S26912       |
| 801      | Stud, 1/2 - 13 x 1-1/2" (4 Req.)                | S24043       |
| 802      | Nut, 1/2 - 13 (4 Req.)                          | S23107       |
| 805      | Washer, Lock                                    | S23036       |
| 810      | Plug, Pipe 1/4" NPT (3 Req.)                    | S23715       |
| 815      | Ring, Retaining                                 | S11207       |
| •        | Plug, Pipe 1/8" NPT (In Bracket)                | S23714       |

• Not illustrated.

**TABLE II**

| HP  | PH | Bracket No. | "AK" Fit | "U" Dim. | Motor Frame |
|-----|----|-------------|----------|----------|-------------|
| 7.5 | 1  | L05328      | 8-1/2"   | 7/8"     | 213JM       |
| 7.5 | 3  | L05329      | 4-1/2"   | 7/8"     | 184JM       |
| 10  | 1  | L05328      | 8-1/2"   | 7/8"     | 215JM       |
| 10  | 3  | L05328      | 8-1/2"   | 7/8"     | 213JM       |
| 15  | 3  | L05328      | 8-1/2"   | 7/8"     | 215JM       |

**NOTE 1:** For an explanation of the tabulated material found on this page and for impeller key location, refer to *Supplement A* located at the beginning of this section.

**NOTE 2:** Sleeve replacement kit available. Berkeley part number B85681 includes the shaft sleeve, adhesive compound and instruction sheet.

**NOTE 3:** For seal flush line details, see *Supplement D*.



# TYPE "B" SINGLE STAGE CENTRIFUGAL PUMP Electric Motor Drive

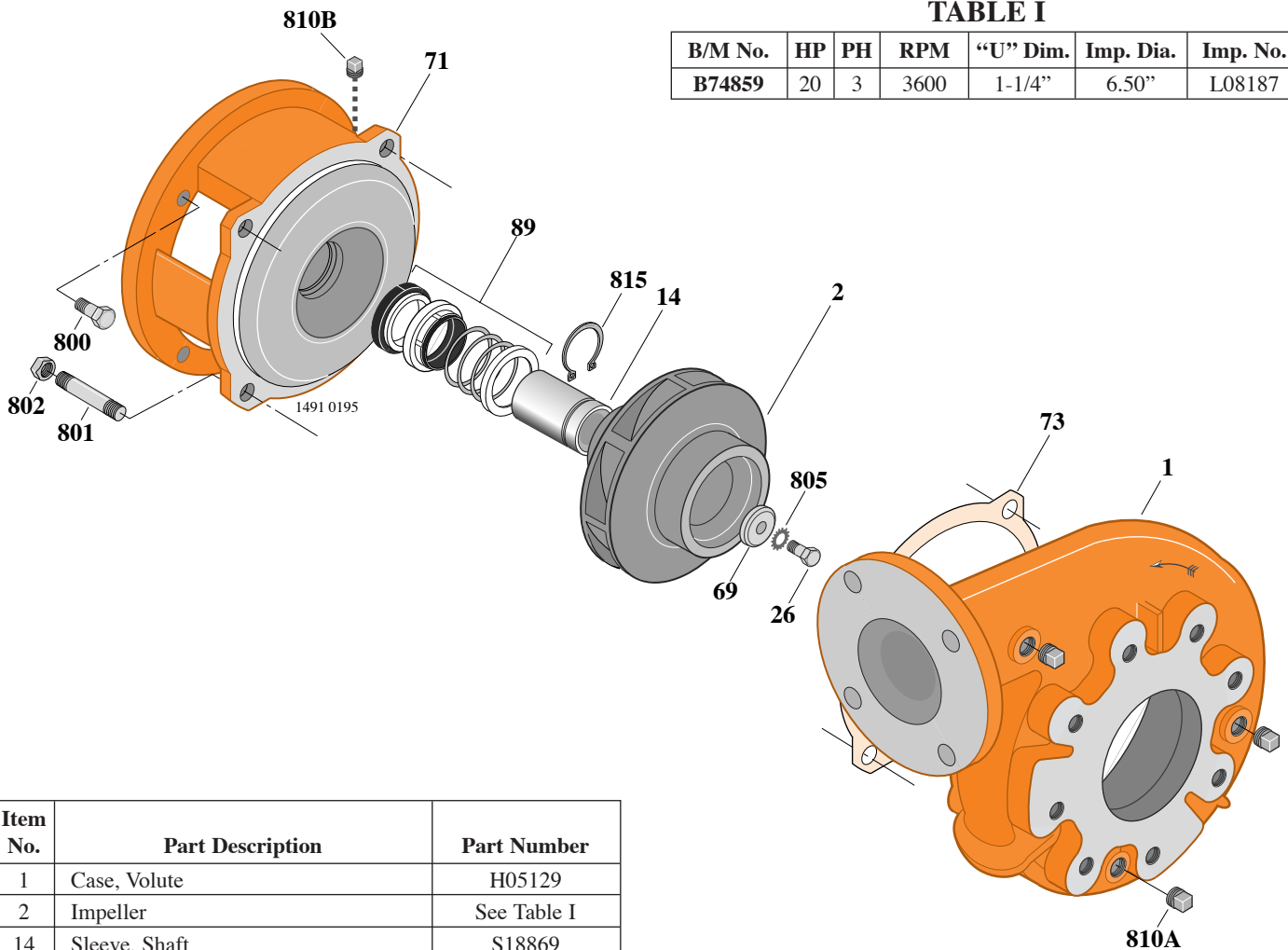
|                   |                 |
|-------------------|-----------------|
| Section           | CC              |
| Page              | 160.26          |
| Date              | January 1, 2004 |
| Supersedes 9/1/97 |                 |

## SILICON BRONZE IMPELLER

## B3TPMS

### Flanged Case

### Mechanical Shaft Seal Construction



**TABLE I**

| B/M No. | HP | PH | RPM  | "U" Dim. | Imp. Dia. | Imp. No. |
|---------|----|----|------|----------|-----------|----------|
| B74859  | 20 | 3  | 3600 | 1-1/4"   | 6.50"     | L08187   |

| Item No. | Part Description                 | Part Number  |
|----------|----------------------------------|--------------|
| 1        | Case, Volute                     | H05129       |
| 2        | Impeller                         | See Table I  |
| 14       | Sleeve, Shaft                    | S18869       |
| 26       | Screw, Impeller 1/2 - 13 x 1"    | S23619       |
| 32       | Key, 1/4 x 2-1/4" (See Note)     | S23677       |
| 69       | Washer, Impeller                 | S06319       |
| 71       | Bracket                          | See Table II |
| 73       | Gasket, Volute                   | S04757       |
| 89       | Seal, Mechanical Shaft           | S32015       |
| 800      | Capscrew, 1/2 - 13 x 1" (4 Req.) | S26912       |
| 801      | Stud, 1/2 - 13 x 1-1/2" (4 Req.) | S24043       |
| 802      | Nut, 1/2 - 13 (4 Req.)           | S23107       |
| 805      | Washer, Lock                     | S23038       |
| 810A     | Plug, Pipe 1/4" NPT (3 Req.)     | S23715       |
| 810B     | Plug, Pipe 1/8" NPT (In Bracket) | S23714       |
| 815      | Ring, Retaining                  | S16767       |

**TABLE II**

| HP | PH | Bracket No. | "AK" Fit | "U" Dim. | Motor Frame |
|----|----|-------------|----------|----------|-------------|
| 20 | 3  | L05779      | 8-1/2"   | 1-1/4"   | 254JM       |

**NOTE:** For an explanation of the tabulated material found on this page and for impeller key location, refer to *Supplement A* located at the beginning of this section.

**NOTE:** For seal flush line details, see *Supplement D*.