



TYPE "B" SINGLE STAGE CENTRIFUGAL PUMP Electric Motor Drive Self Prime

Section	CC/SP
Page	50.1
Date	May 15, 2009
Supersedes 1/1/04	

CAST IRON IMPELLER

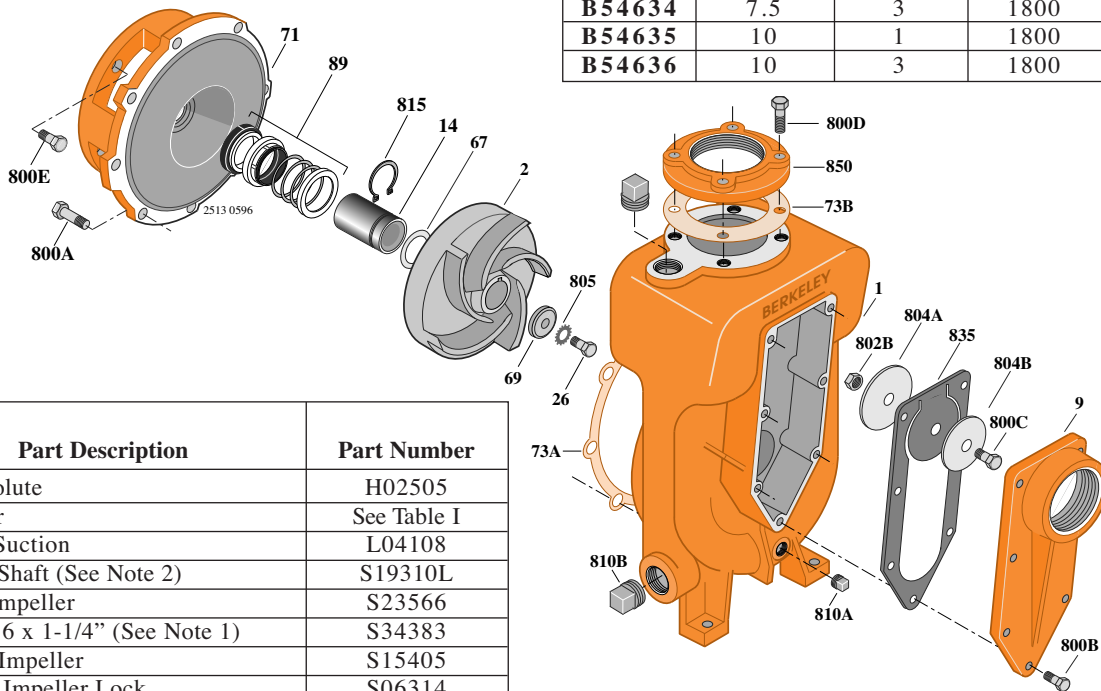
B4ZPKS

Threaded Case (NPT)

Mechanical Seal Construction

TABLE I

B/M No.	HP	PH	RPM	Imp. No.
B58449	5	1	1800	M07561
B58450	5	3	1800	M07561
B54633	7.5	1	1800	M05639
B54634	7.5	3	1800	M05639
B54635	10	1	1800	M05640
B54636	10	3	1800	M05640



Item No.	Part Description	Part Number
1	Case, Volute	H02505
2	Impeller	See Table I
9	Cover, Suction	L04108
14	Sleeve, Shaft (See Note 2)	S19310L
26	Screw, Impeller	S23566
32	Key, 3/16 x 1-1/4" (See Note 1)	S34383
67	Spacer, Impeller	S15405
69	Washer, Impeller Lock	S06314
71	Bracket	See Table II
73A	Gasket, Volute	S05126
73B	Gasket, Blind	S10364
89	Seal, Mechanical Shaft	S32014
800A	Capscrew, 3/8 - 16 x 1" (8 Req.)	S26826
800B	Capscrew, 3/8 - 16 x 1-1/4" (7 Req.)	S26828
800C	Capscrew, 3/8 - 16 x 1"	S26824
800D	Capscrew, 5/8 - 11 x 1-3/4" (4 Req.)	S27001
800E	Capscrew, 3/8 - 16 x 1-1/8" 4-1/2 AK (4 Req.)	S26827
800E	Capscrew, 1/2 - 13 x 1" 8-1/2 AK (4 Req.)	S26912
802	Nut, Hex 3/8 - 16	S23103
804A	Weight, Clack	S14842
804B	Weight, Clack	S15325
805	Washer, Lock	S23036
810A	Plug, Pipe 1/4 NPT	S23717
810B	Plug, Pipe 1-1/4 NPT	S23695
815	Ring, Retaining	S11207
835	Clack, Rubber	L04119
850	Flange, Companion	S15933

TABLE II

HP	PH	Bracket No.	"AK" Fit	"U" Dim.	Motor Frame
5	1	L05331	8-1/2"	7/8"	213JM
5	3	L05332	4-1/2"	7/8"	184JM
7.5	1	L05331	8-1/2"	7/8"	215JM
7.5	3	L05331	8-1/2"	7/8"	213JM
10	1	L05331	8-1/2"	7/8"	215JM
10	3	L05331	8-1/2"	7/8"	215JM

NOTE 1: For an explanation of the tabulated material found on this page and for impeller key location, refer to **Supplement A** located at the beginning of section **CC**.

NOTE 2: Sleeve replacement kit available. Berkeley part number B85681 includes the shaft sleeve, adhesive compound and instruction sheet.