



# TYPE "B" SINGLE STAGE CENTRIFUGAL PUMP Electric Motor Drive

Section	CC
Page	230.1
Date	January 1, 2004
Supersedes 6/1/95	

## CAST IRON IMPELLER

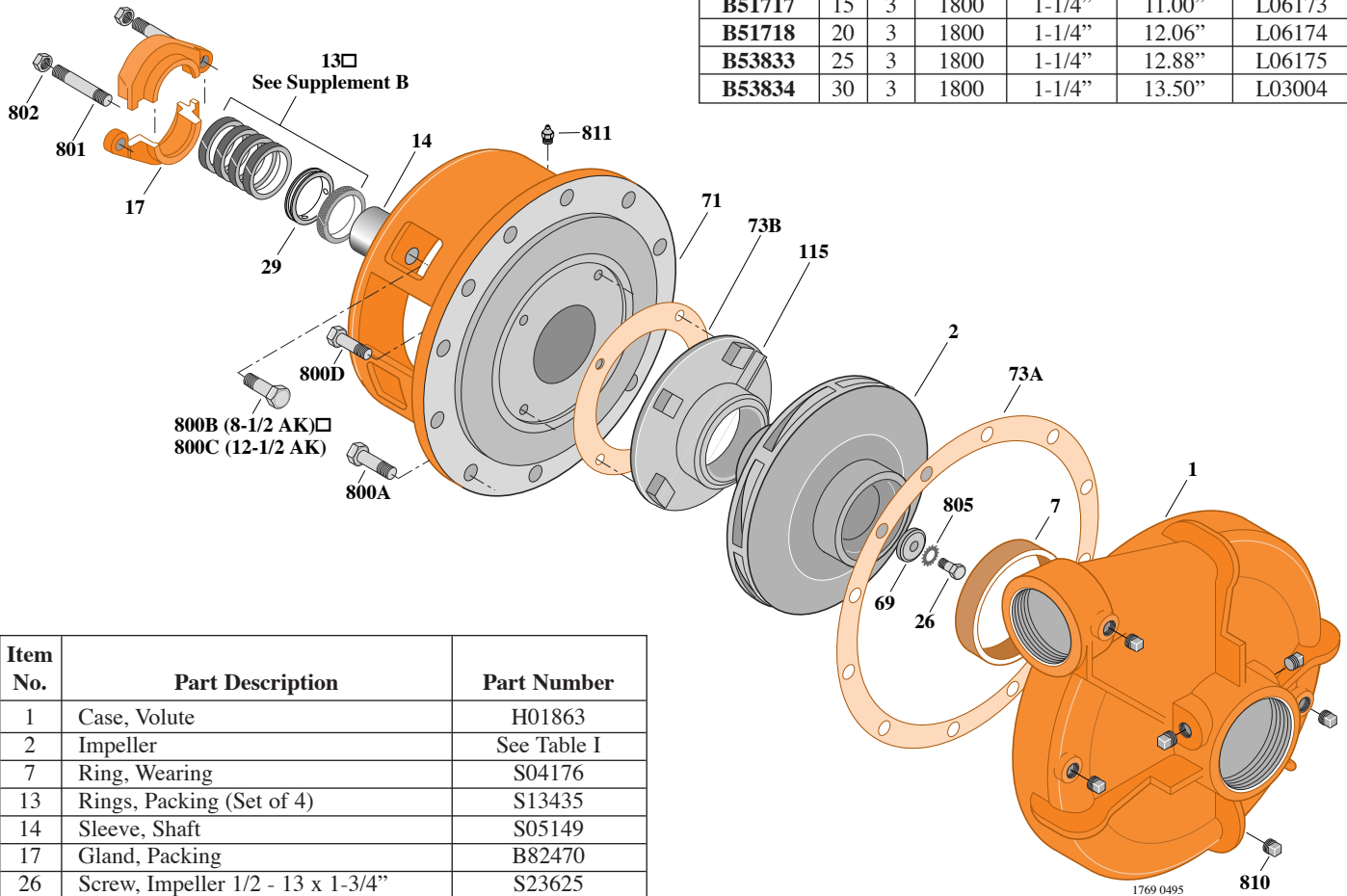
## B3JPBL

### Threaded Case (NPT)

### Packing Construction

**TABLE I**

B/M No.	HP	PH	RPM	"U" Dim.	Imp. Dia.	Imp. No.
<b>B51717</b>	15	3	1800	1-1/4"	11.00"	L06173
<b>B51718</b>	20	3	1800	1-1/4"	12.06"	L06174
<b>B53833</b>	25	3	1800	1-1/4"	12.88"	L06175
<b>B53834</b>	30	3	1800	1-1/4"	13.50"	L03004



Item No.	Part Description	Part Number
1	Case, Volute	H01863
2	Impeller	See Table I
7	Ring, Wearing	S04176
13	Rings, Packing (Set of 4)	S13435
14	Sleeve, Shaft	S05149
17	Gland, Packing	B82470
26	Screw, Impeller 1/2 - 13 x 1-3/4"	S23625
29	Ring, Lantern	S19200
32	Key, 1/4 x 2-1/4" (See Note)	S23677
69	Washer, Impeller	S06319
71	Bracket	See Table II
73A	Gasket, Volute	S06271
73B	Gasket, Balance Ring	S09943
115	Ring, Balance	M05115
800A	Capscrew, 5/8 - 11 x 1-1/2" (12 Req.)	S26999
800B	Capscrew, 1/2 - 13 x 1-1/2" (4 Req.)	S26916
800C	Capscrew, 3/8 - 16 x 1-1/2" (4 Req.)	S26830
802	Nut, Hex 3/8 - 16 (2 Req.)	S23343
801	Stud, 3/8 - 16 x 2-1/2" (2 Req.)	S04438
805	Washer, Lock	S23038
810	Plug, Pipe 1/2 NPT (6 Req.)	S23717
811	Fitting, Grease	S23700
812	Elbow, Street	S25421

**TABLE II**

HP	PH	Bracket No.	"AK" Fit	"U" Dim.	Motor Frame
15	3	H02384	8-1/2"	1-1/4"	254JP
20	3	H02384	8-1/2"	1-1/4"	256JP
25	3	H01601	12-1/2"	1-1/4"	284JP
30	3	H01601	12-1/2"	1-1/4"	286JP

**NOTE:** For an explanation of the tabulated material found on this page and for impeller key location, refer to *Supplement A* located at the beginning of this section.



# TYPE "B" SINGLE STAGE CENTRIFUGAL PUMP Electric Motor Drive

Section	CC
Page	230.2
Date	January 1, 2004
Supersedes 6/1/95	

## CAST IRON IMPELLER

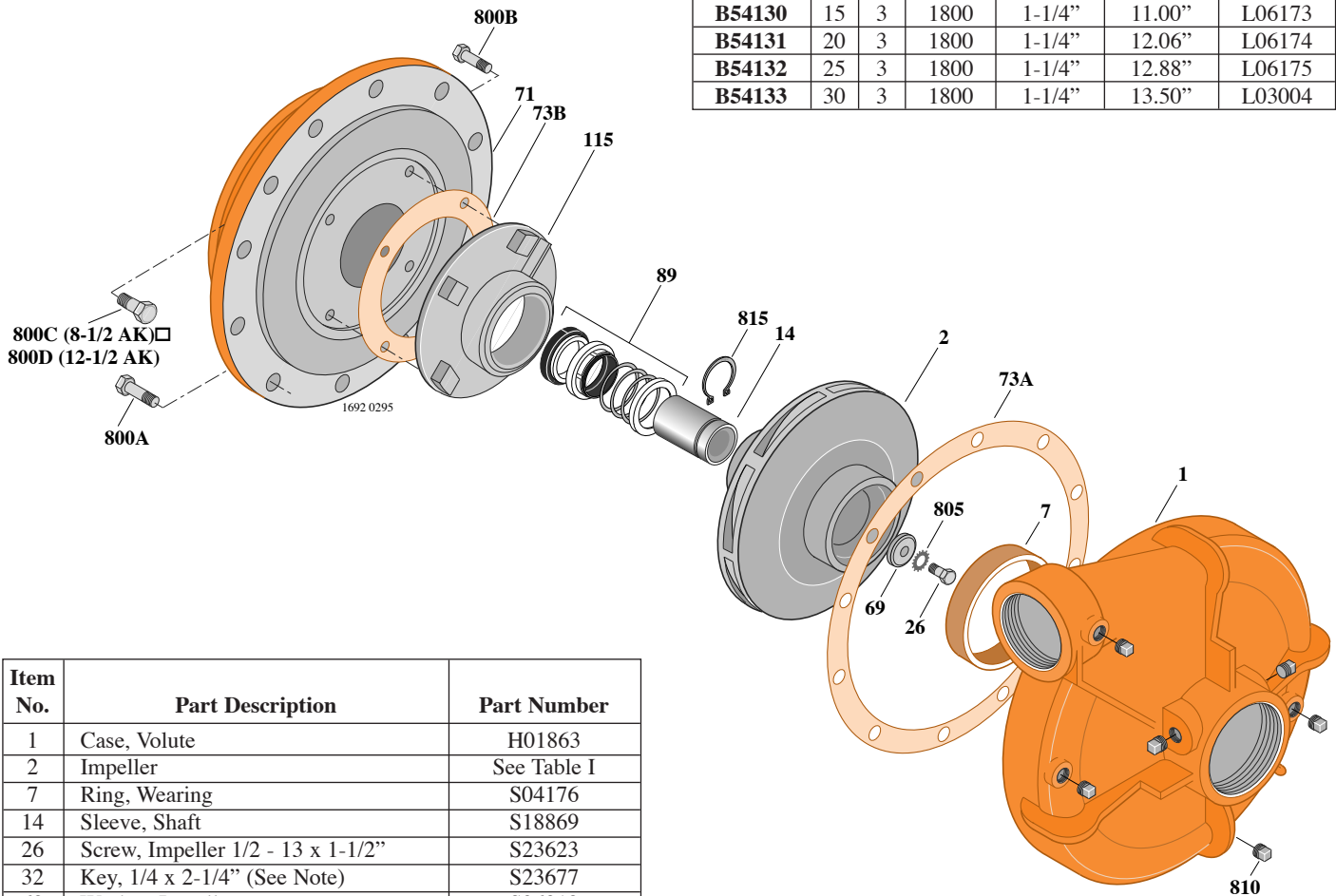
## B3JPBLS

### Threaded Case (NPT)

### Mechanical Shaft Seal Construction

TABLE I

B/M No.	HP	PH	RPM	"U" Dim.	Imp. Dia.	Imp. No.
B54130	15	3	1800	1-1/4"	11.00"	L06173
B54131	20	3	1800	1-1/4"	12.06"	L06174
B54132	25	3	1800	1-1/4"	12.88"	L06175
B54133	30	3	1800	1-1/4"	13.50"	L03004



Item No.	Part Description	Part Number
1	Case, Volute	H01863
2	Impeller	See Table I
7	Ring, Wearing	S04176
14	Sleeve, Shaft	S18869
26	Screw, Impeller 1/2 - 13 x 1-1/2"	S23623
32	Key, 1/4 x 2-1/4" (See Note)	S23677
69	Washer, Impeller	S06319
71	Bracket	See Table II
73A	Gasket, Volute Case	S06271
73B	Gasket, Balance Ring	S09943
89	Seal, Mechanical Shaft	S32015
115	Ring, Balance	M06646
800A	Capscrew, 5/8 - 11 x 1-1/2" (12 Req.) (8-1/2 AK)	S26999
800A	Capscrew, 5/8 - 11 x 1-1/2" (16 Req.) (12-1/2 AK)	S26999
800B	Capscrew, 1/2 - 13 x 1-1/2" (4 Req.) (8-1/2 AK Only)	S26916
800C	Capscrew, 3/8 - 16 x 1" (4 Req.)	S26826
805	Washer, Lock	S23038
810	Plug, Pipe 1/2 NPT (6 Req.)	S23717
815	Ring, Retaining	S16767

TABLE II

HP	PH	Bracket No.	"AK" Fit	"U" Dim.	Motor Frame
15	3	H03300	8-1/2"	1-1/4"	254JM
20	3	H03300	8-1/2"	1-1/4"	256JM
25	3	H03301	12-1/2"	1-1/4"	284JM
30	3	H03301	12-1/2"	1-1/4"	286JM

**NOTE:** For an explanation of the tabulated material found on this page and for impeller key location, refer to *Supplement A* located at the beginning of this section.



# TYPE "B" SINGLE STAGE CENTRIFUGAL PUMP Electric Motor Drive

Section	CC
Page	230.3
Date	January 1, 2004
Supersedes 9/1/97	

## SILICON BRONZE IMPELLER

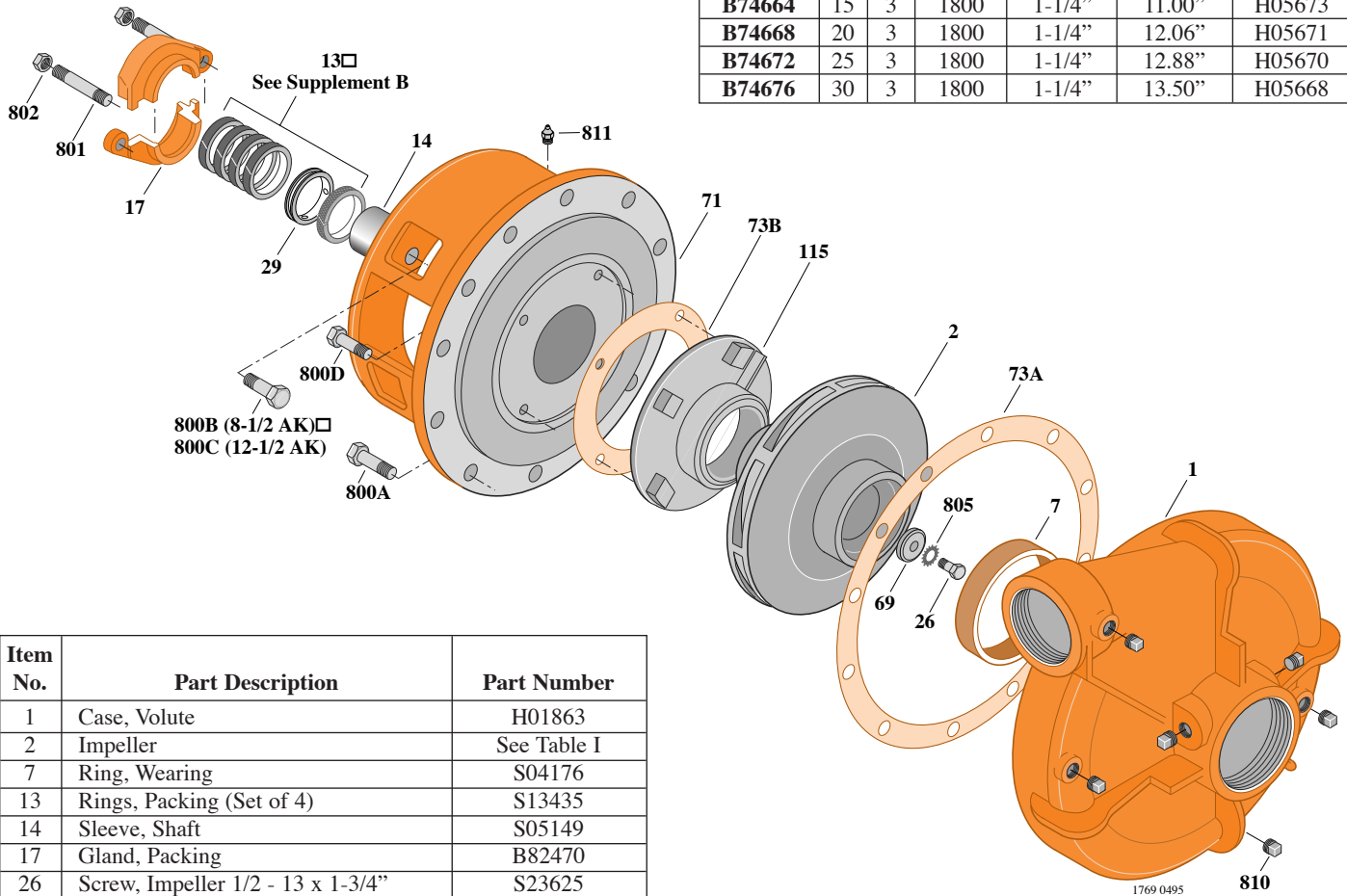
## B3JPBL

### Threaded Case (NPT)

### Packing Construction

TABLE I

B/M No.	HP	PH	RPM	"U" Dim.	Imp. Dia.	Imp. No.
B74664	15	3	1800	1-1/4"	11.00"	H05673
B74668	20	3	1800	1-1/4"	12.06"	H05671
B74672	25	3	1800	1-1/4"	12.88"	H05670
B74676	30	3	1800	1-1/4"	13.50"	H05668



Item No.	Part Description	Part Number
1	Case, Volute	H01863
2	Impeller	See Table I
7	Ring, Wearing	S04176
13	Rings, Packing (Set of 4)	S13435
14	Sleeve, Shaft	S05149
17	Gland, Packing	B82470
26	Screw, Impeller 1/2 - 13 x 1-3/4"	S23625
29	Ring, Lantern	S19200
32	Key, 1/4 x 2-1/4" (See Note)	S23677
69	Washer, Impeller	S06319
71	Bracket	See Table II
73A	Gasket, Volute	S06271
73B	Gasket, Balance Ring	S09943
115	Ring, Balance	M05115
800A	Capscrew, 5/8 - 11 x 1-1/2" (12 Req.)	S26999
800B	Capscrew, 1/2 - 13 x 1-1/2" (4 Req.)	S26916
800C	Capscrew, 5/8 - 11 x 1-1/2" (4 Req.)	S26999
800D	Capscrew, 3/8 - 16 x 1-1/2" (4 Req.)	S26830
802	Nut, Hex 3/8 - 16 (2 Req.)	S23343
801	Stud, 3/8 - 16 x 2-1/2" (2 Req.)	S04438
805	Washer, Lock	S23038
810	Plug, Pipe 1/2" NPT (6 Req.)	S23717
811	Fitting, Grease	S23700

TABLE II

HP	PH	Bracket No.	"AK" Fit	"U" Dim.	Motor Frame
15	3	H02384	8-1/2"	1-1/4"	254JP
20	3	H02384	8-1/2"	1-1/4"	256JP
25	3	H01601	12-1/2"	1-1/4"	284JP
30	3	H01601	12-1/2"	1-1/4"	286JP

**NOTE:** For an explanation of the tabulated material found on this page and for impeller key location, refer to *Supplement A* located at the beginning of this section.



# TYPE "B" SINGLE STAGE CENTRIFUGAL PUMP Electric Motor Drive

Section	CC
Page	230.4
Date	January 1, 2004
Supersedes 9/1/97	

## SILICON BRONZE IMPELLER

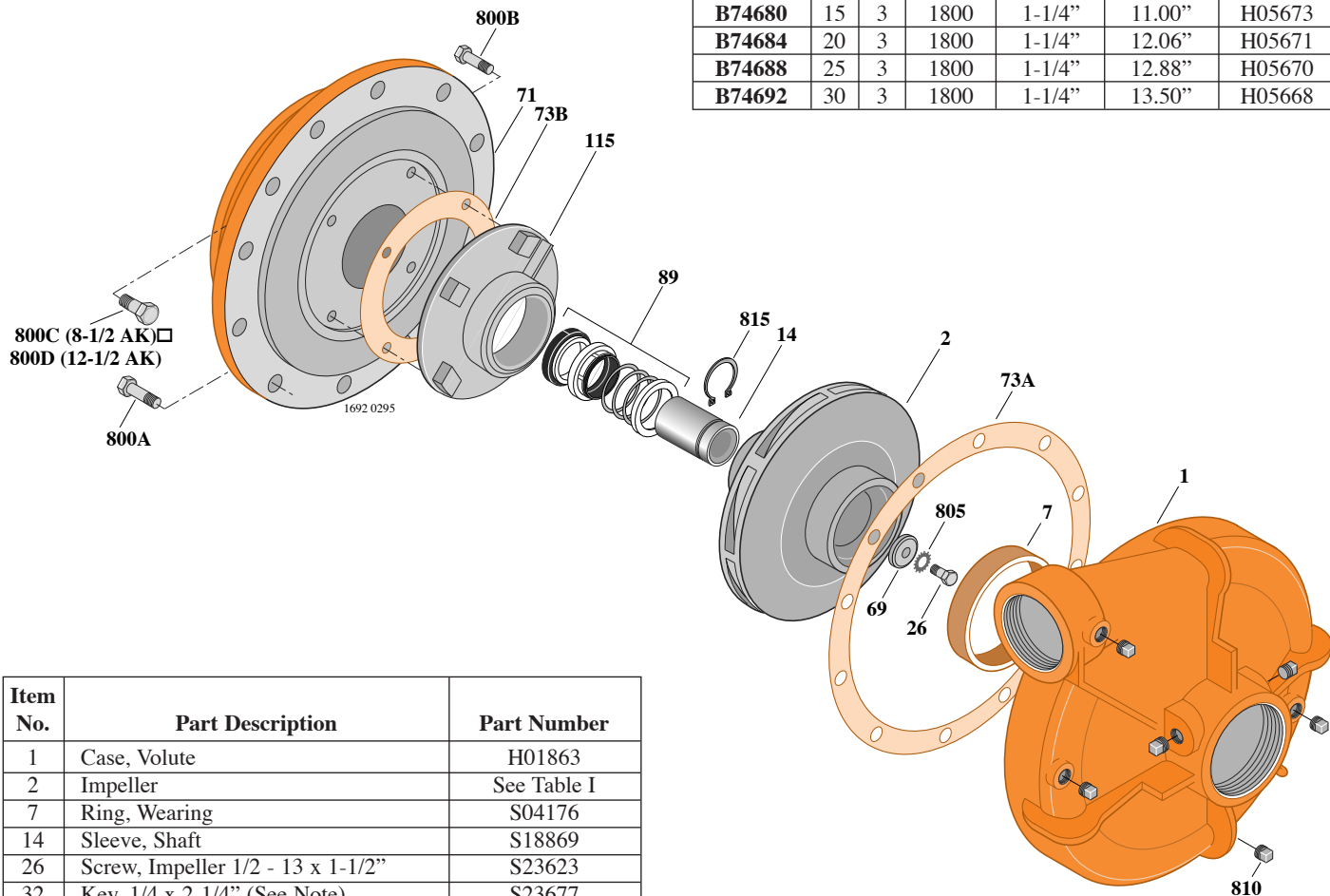
## B3JPBLS

### Threaded Case (NPT)

### Mechanical Shaft Seal Construction

**TABLE I**

B/M No.	HP	PH	RPM	"U" Dim.	Imp. Dia.	Imp. No.
B74680	15	3	1800	1-1/4"	11.00"	H05673
B74684	20	3	1800	1-1/4"	12.06"	H05671
B74688	25	3	1800	1-1/4"	12.88"	H05670
B74692	30	3	1800	1-1/4"	13.50"	H05668



Item No.	Part Description	Part Number
1	Case, Volute	H01863
2	Impeller	See Table I
7	Ring, Wearing	S04176
14	Sleeve, Shaft	S18869
26	Screw, Impeller 1/2 - 13 x 1-1/2"	S23623
32	Key, 1/4 x 2-1/4" (See Note)	S23677
69	Washer, Impeller	S06319
71	Bracket	See Table II
73A	Gasket, Volute Case	S06271
73B	Gasket, Balance Ring	S09943
89	Seal, Mechanical Shaft	S32015
115	Ring, Balance	M06646
800A	Capscrew, 5/8 - 11 x 1-1/2" (12 Req.)	S26999
800B	Capscrew, 3/8 - 16 x 1" (4 Req.)	S26826
800C	Capscrew, 1/2 - 13 x 1-1/2" (4 Req.)	S26916
800D	Capscrew, 5/8 - 11 x 1-1/2" (4 Req.)	S26999
805	Washer, Lock	S23038
810	Plug, Pipe 1/2" NPT (6 Req.)	S23717
815	Ring, Retaining	S16767
•	Plug, Pipe 1/8" NPT (In Bracket)	S23714

• Not illustrated.

**TABLE II**

HP	PH	Bracket No.	"AK" Fit	"U" Dim.	Motor Frame
15	3	H03300	8-1/2"	1-1/4"	254JM
20	3	H03300	8-1/2"	1-1/4"	256JM
25	3	H03301	12-1/2"	1-1/4"	284JM
30	3	H03301	12-1/2"	1-1/4"	286JM

**NOTE:** For an explanation of the tabulated material found on this page and for impeller key location, refer to *Supplement A* located at the beginning of this section.

**NOTE:** For seal flush line details, see *Supplement D*.