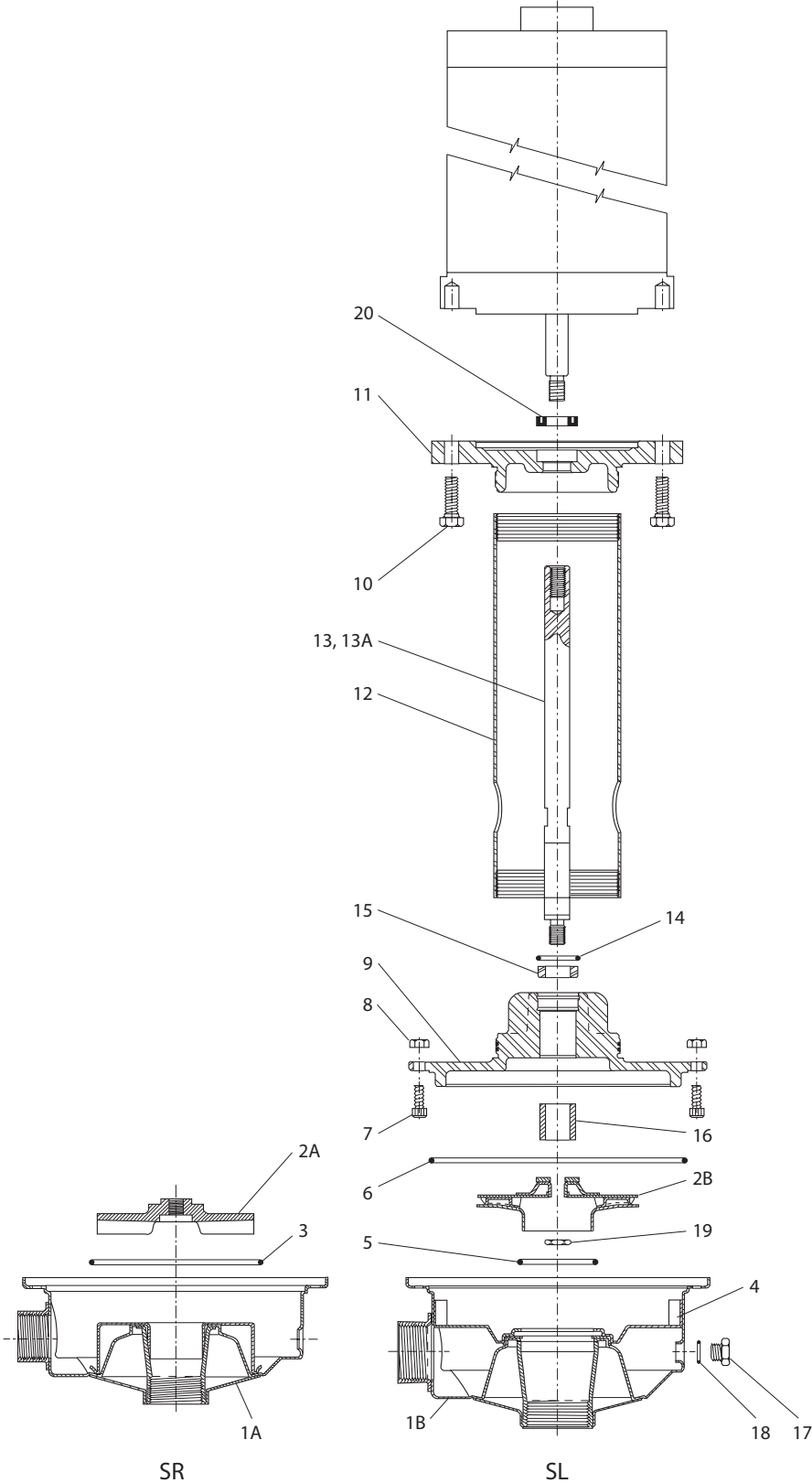


# NPV

VERTICALLY IMMERSED STAINLESS STEEL END SUCTION PUMP





### BILL OF MATERIAL

Item	Description	Material	Quantity	Repair Parts Order No.						
SR ONLY	1A	Casing, pump SR	AISI 304 SS	1	100SR	125SR	150SR			
					1L499	1L440	1L441			
	2A	Impeller (open)	AISI 316 SS	1	2K562 (3.00)	2L710 (3.44)	2L717 (3.75)			
					2K561 (3.25)	2L709 (3.75)	2L716 (4.19)			
					2K560 (3.50)	2L708 (4.06)	2L715 (4.44)			
					2K559 (3.75)	2L707 (4.31)	2L714 (4.62)			
					2K558 (4.00)	2L706 (4.62)	2L713 (4.94)			
					2K557 (4.31)	2L705 (5.06)	2L712 (5.25)			
					2K710 (5.00)	2L704 (5.31)	2L711 (5.44)			
					2K711 (5.38)	—	—			
3A	O-ring, internal casing	Viton	1	5L109	—	—				
3B	O-ring, internal casing	EPR		5K252						
SL ONLY	1B	Casing, pump SL	AISI 304 SS	1	100SL	125SL	150SL			
					1L81	1L82	1L83			
					Diameter	Part No.	Diameter	Part No.	Diameter	Part No.
	2B	Impeller Kit (closed) includes imp locknut	AISI 304 SS	1						
	4	Guidevane	AISI 304 SS	1	3L23	3L24	3L25			
5A	O-ring, impeller	Viton	1	5K269	5K270	5K270				
5B	O-ring, impeller	EPR		5K274	5K273	5K273				
COMMON	6A	O-ring, casing	Viton	1		5K206				
	6B	O-ring, casing	EPR			5K193				
	7	¼ - 20NC - 2A x .50 long socket head cap screw	AISI 304 SS	8		13K268				
	8	¼ - 20NC hex nut	AISI 304 SS	8		13K269				
	9	Pump mounting plate	AISI 303 SS	1		1L502				
	10	¾ - 16NC - 2A x 1.0 long hex head bolt	Plated Steel	4		13K80				
	11	Motor mounting plate	Cast Iron	1		1L503				
	12	Tube, support, 14 inch	AISI 304 SS	1		6K117				
		Tube, support, 24 inch				6K123				
	13	Shaft, 14 inch	AISI 304 SS	1		4K417				
		Shaft, 24 inch				4K428				
	13A	Shaft, 14 inch	AISI 304 SS	1		4K441				
		Shaft, 24 inch	Ceramic Coated			4K443				
	14	Snap ring	Stainless Steel	1		4K419				
	15	Bushing	Nitronic 60 Stainless	1		4K416				
	16	Bearing	Viton	1		7K474				
			Carbon (CTI 25)			4K418				
			EPR			7K1743				
	17	Plug, drain and vent	AISI 304 SS	2		6L3				
	18A	O-ring, drain and vent plug	Viton	1		5L99				
18B	O-ring, drain and vent plug	EPR			5L80					
19	Impeller locknut	300 Series SS	1		13K286 for SR models, 13K415 for SL models					
20	Seal, u-cup	Teflon	1		10K73					

# Xylem |'zīləm|

- 1) The tissue in plants that brings water upward from the roots;
- 2) a leading global water technology company.

We're a global team unified in a common purpose: creating advanced technology solutions to the world's water challenges. Developing new technologies that will improve the way water is used, conserved, and re-used in the future is central to our work. Our products and services move, treat, analyze, monitor and return water to the environment, in public utility, industrial, residential and commercial building services settings. Xylem also provides a leading portfolio of smart metering, network technologies and advanced analytics solutions for water, electric and gas utilities. In more than 150 countries, we have strong, long-standing relationships with customers who know us for our powerful combination of leading product brands and applications expertise with a strong focus on developing comprehensive, sustainable solutions.

For more information on how Xylem can help you, go to [www.xylem.com](http://www.xylem.com)



Xylem Inc.  
2881 East Bayard Street Ext., Suite A  
Seneca Falls, NY 13148  
Phone: (866) 673-0445  
Fax: (888) 322-5877  
[www.xylem.com/goulds](http://www.xylem.com/goulds)

Xylem is a registered trademark of Xylem Inc. or one of its subsidiaries. Goulds is a registered trademark of ITT Manufacturing Enterprises LLC and is used under license. All other trademarks or registered trademarks are property of their respective owners.  
© 2022 Xylem Inc. RNPV R4 November 2022