

ONE YEAR LIMITED WARRANTY

All Hartell products are warranted to be free from defects in workmanship or materials, and to function satisfactorily when properly installed for a period of 12 months from the date of installation (proof of installation date required). Hartell will repair or replace at no charge, any Hartell products found to be defective upon examination at our factory, if returned within the warranty period. This limited warranty does not apply if the product has been misapplied or damaged. Defective product should be returned to the place of purchase with original receipt as proof of purchase date. Please visit www.hartell.com for more information.

Hartell assumes no liability for associated labor or damages of any kind arising from the use of our products. This warranty covers specific rights. There may be other rights which vary from state to state.

NOTICE:

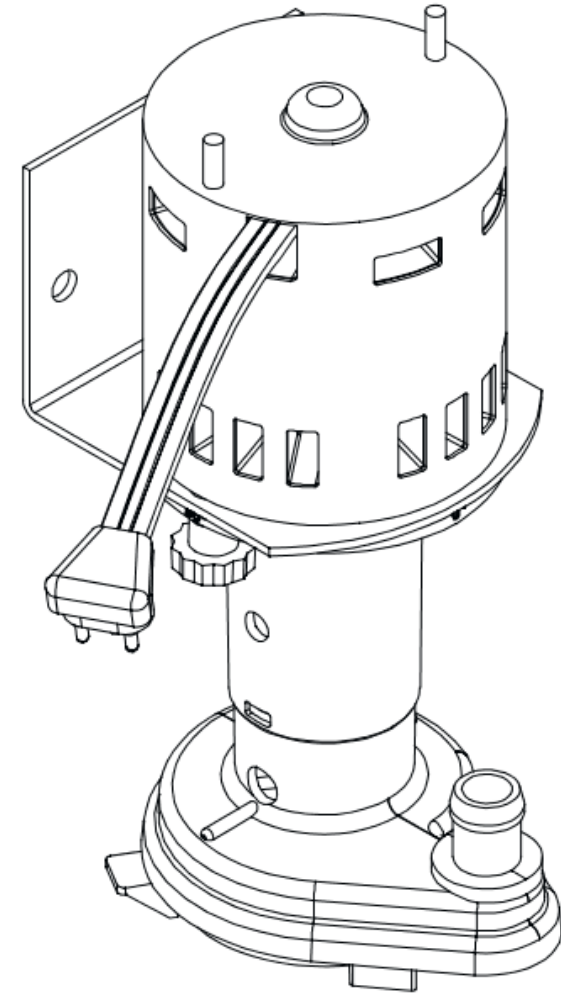
This is NOT a submersible pump. The pump motor MUST be protected from water and water splash. Warranty is void if the pump motor displays evidence of water damage.



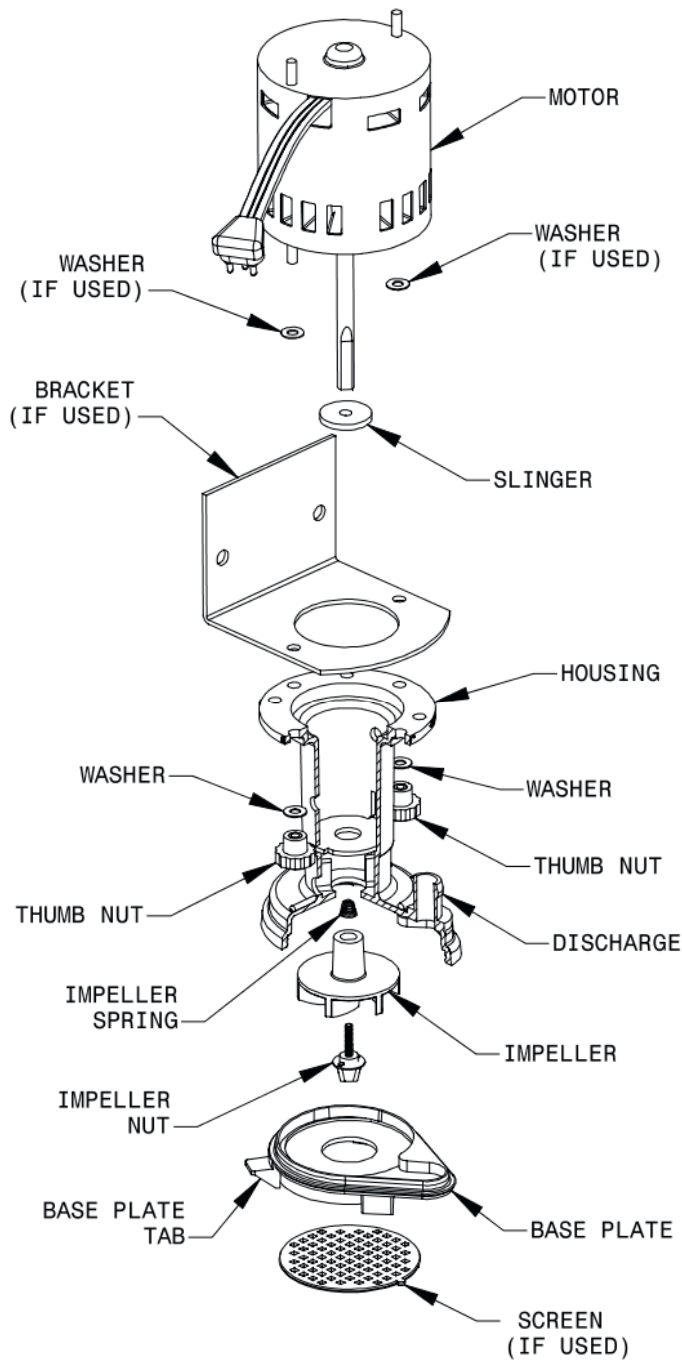
100 East Graham Place
Burbank, CA 91502
Web: www.hartell.com
Email: info@hartell.com



® 100 East Graham Place
Burbank, CA 91502
Web: www.hartell.com
Email: info@hartell.com



GENERAL INSTRUCTIONS "GPP" SERIES REPLACEMENT ICE MACHINE PUMPS



NOTE:
Parts shown are for illustration purposes only. Your pump may appear different.

TO DISASSEMBLE:

BEFORE DISASSEMBLY - Note location of Cord, Bracket (if used), Motor studs in Housing (degree markings), and Housing Discharge. (Required for re-assembly)

- 1) Turn off equipment.
- 2) Disconnect and remove pump.
- 3) Remove Base Plate by striking Base Plate Tab with a nylon mallet.
- 4) With Housing up, push and hold down Impeller, and unscrew Impeller Nut.
- 5) Remove Impeller.
- 6) Remove Thumb Nuts and Washers.
- 7) Remove Housing, Bracket (if used), and Washers (if used) from Motor.
- 8) If replacing Motor, remove Slinger.
- 9) If necessary, push Screen out of Baseplate.

TO ASSEMBLE:

- 1) Position and hold Motor with shaft facing up.
- 2) Place one Washer (if used) over each Motor stud.
- 3) Slide Slinger down Motor shaft to about 1/2" from Motor.
- 4) Place Bracket (if used) over Motor studs - note orientation.
- 5) Place Housing over Motor studs - note orientation of discharge.
- 6) Place one washer over each Motor stud.
- 7) Screw Thumb Nuts onto Motor studs - **DO NOT TIGHTEN**.
- 8) Center Motor shaft in Housing center hole and tighten Thumb Nuts.
- 9) Slide Impeller onto Motor shaft.
- 10) Push and hold down Impeller. Screw Impeller Nut into Motor shaft until it touches the Impeller. Release Impeller.
NOTE: The Impeller must NOT rub against the Housing - if it does, slightly loosen Impeller Nut.
- 11) Angle the discharge end and longer flat edge of Base Plate into the Housing groove. Tap the opposite side Base Plate Tab with a nylon mallet. Base Plate will snap into Housing groove, and be flush with bottom of Housing when installed properly.
- 12) Test run pump before installing into equipment.
NOTE: Pump can be run dry without damage.
- 13) Snap Screen (if used) in Base Plate with tab aligned with either slot in Base Plate.

MODEL GPP-3MA-* (HARTELL #803350 & #803351) ONLY:

To reposition Bracket, loosen Thumb Nuts, rotate bracket, and tighten Thumb Nuts.

MODEL GPP-8MA-2A (HARTELL #803302) ONLY:

If installing in older style machine, it may be necessary to remove the flow restrictor in the plastic water tube to allow proper water flow.

MODEL GPP-8M-12 (HARTELL #803110) ONLY:

This motor is factory wired for 115 volt operation. For 230 volt service, the following modification is required:

- 1) Disconnect the black and red wire female terminals from the dual male/female terminals by sliding them off.
- 2) Slide the black wire female terminal onto the blue wire dual male/female terminal. Insulate the connection to prevent shorting with other components.
- 3) Connect the red and white wires to 230 volt service.

