



Model 2DV

2" SUBMERSIBLE SEWAGE PUMP

FEATURES

Casing: Corrosion resistant AISI 304 SS designed for long lasting performance

Impeller: AISI type 304 stainless steel construction; vortex design

Mechanical Seal: Drive lube silicon carbide sealing faces; all metal components of AISI type 300 stainless steel running in protected oil chamber

Elastomers: BUNA-N

Pump Support Feet: Motor Shell and Lifting Handle: Constructed of AISI type 304 series stainless steel

Shaft: AISI type 304 stainless steel high strength pump shaft with keyed and locking cap screw impeller fastening

Discharge: 2" NPT for horizontal connection to rigid, flexible or guide rail piping connection

APPLICATIONS

Vortex submersible sewage pumps for simplex and duplex installations in small lift stations, drainage systems or raw water applications requiring solids handling capability of 2" diameter made specifically for:

- Homes and farms
- Mobile home parks and motels
- Schools and hospitals
- Municipal package systems
- Industrial treatment systems
- Dewatering applications

Component	Material
Pump body and motor casing	Stainless steel (AISI 304)
Impeller	Stainless steel (AISI 304)
Lower mechanical seal	Silicon carbide/silicon carbide
Upper lip seal	Nitrile rubber
Motor Shaft	Stainless steel (AISI 304)
Handle	Nylon

SPECIFICATIONS

Pump:

- 2" discharge
- Solid size: 2" solids
- Capacities: to 130 U.S. GPM (41 m³/h)
- Total heads: to 39 feet TDH (14 m)
- Temperature: 104°F (40°C) continuous, 140°F (60°C) intermitten
- Maximum submergence: to 17 feet (5 m)
- AISI 304 SS casing
- AISI 304 SS impeller
- Continuous duty rated, non-overloading motor

Motor:

- Single phase: 60 Hz, 3450 RPM; ¾ to 1 HP, 230 V
- Three phase: 60 Hz, 3450 RPM, ¾ to 1½ HP, 230 and 460 V
- Non-overloading
- Air-filled, class F insulated motor
- Thermal overload protection: built-in with automatic reset on single phase, 230 V models
- Three phase models require external overload in panel
- Power cord: 20 feet long
- Single phase 230 V models are supplied with molded NEMA plugs and built-in capacitors
- Three phase models are supplied with bare leads
- Float controls: optional, see accessory section for simplex or duplex system requirements
- Rotation is clockwise when viewed from top

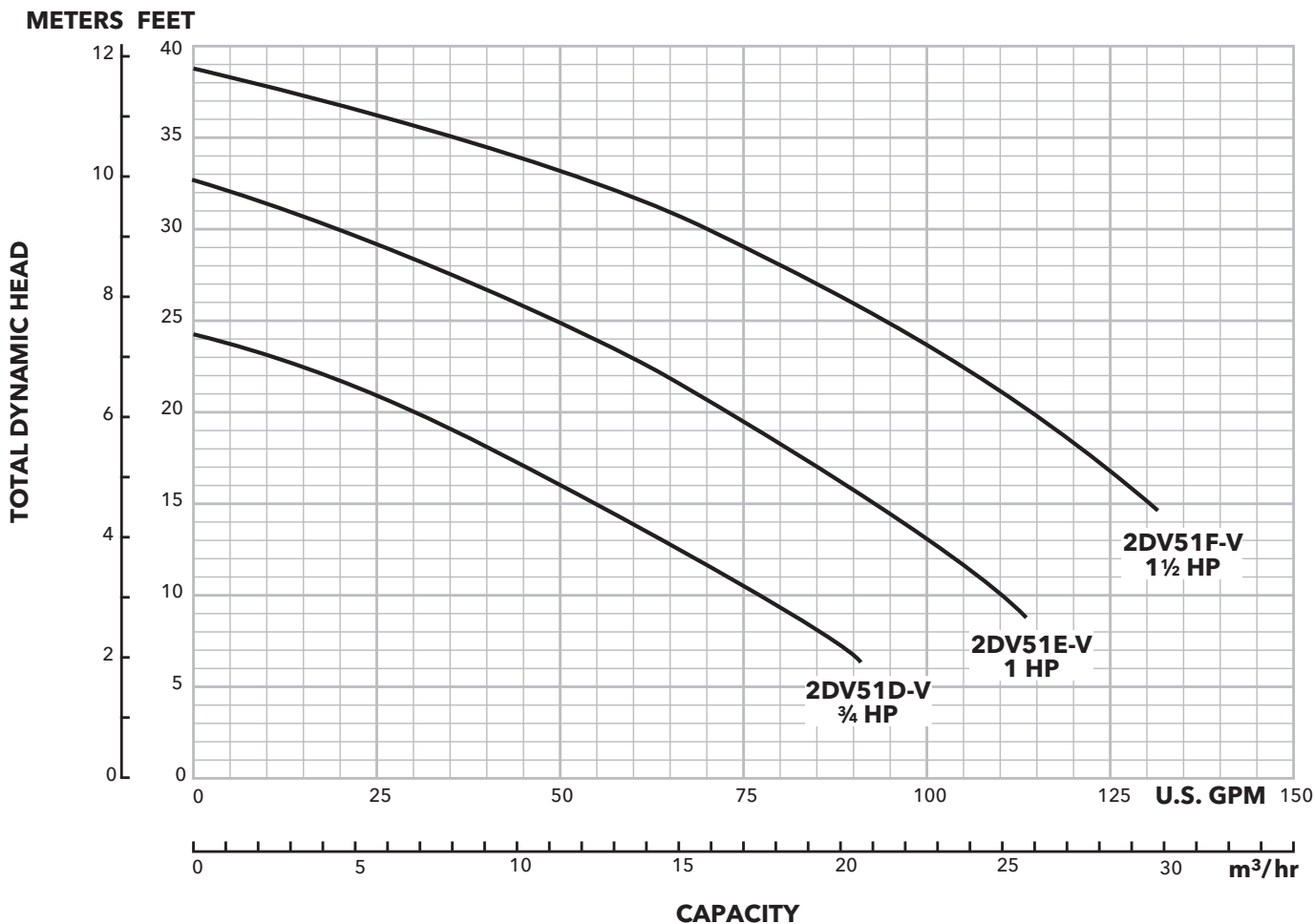
AGENCY LISTINGS



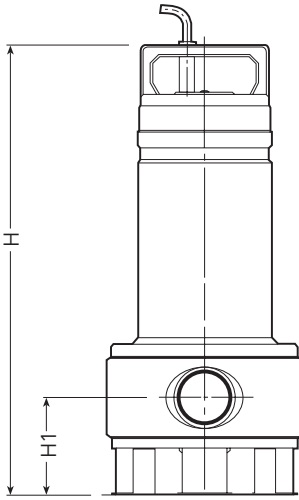
Tested to UL 778 and CSA 22.2 108 Standards
By Canadian Standards Association
File #LR38549

MODEL INFORMATION

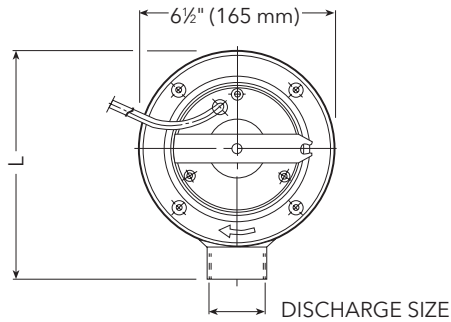
Order Number	HP	Volts	Phase	RPM	Maximum Amps	Start Amps	Capacitor uF/V	Resistance Start/ Line-Line	Cord Length	Discharge Connection	Solids	Weight (Lbs.)
2DV51D1VA	¾	230	1	3450	5.4	27.2	22/450	4.4 / 1.9	20'	2"	2"	30
2DV51D3VA			3		3.4	24.9	NA	NA / 6.0				25
2DV51D4VA		460	1.7		12.7	NA	NA / 7.8	25				
2DV51E1VA	1	230	1		7.0	30.6	30/450	4.2 / 1.9				34
2DV51E3VA			3		4.4	29.8	NA	NA / 5.3				30
2DV51E4VA		460	2.2		15.2	NA	NA / 6.6	30				
2DV51F3VA	1½	230	3		5.6	39.2	NA	NA / 3.7				32
2DV51F4VA		460			2.8	19.9	NA	NA / 4.8				



DIMENSIONS



Series	HP	Phase	Dimensions in inches (mm)			Discharge Size	Wt. (lbs.)
			H	H1	L		
2DV	¾	3	17¼ (438)	4⅝ (111.5)	7¾ (198)	2"	25
		1	18 (458)				30
	3	1					30
	1						34
	1½	3	18⅓ (478)				32



AGENCY LISTINGS



Tested to UL 778 and CSA 22.2 108 Standards
By Canadian Standards Association
File #LR38549

xylem
Let's Solve Water

Xylem Inc.
Phone: (866) 325-4210
Fax: (888) 322-5877
www.xylem.com/goulds

Goulds is a registered trademark of Goulds Pumps, Inc. and is used under license.
© 2021 Xylem Inc. B2DV R3 January 2021