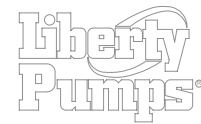
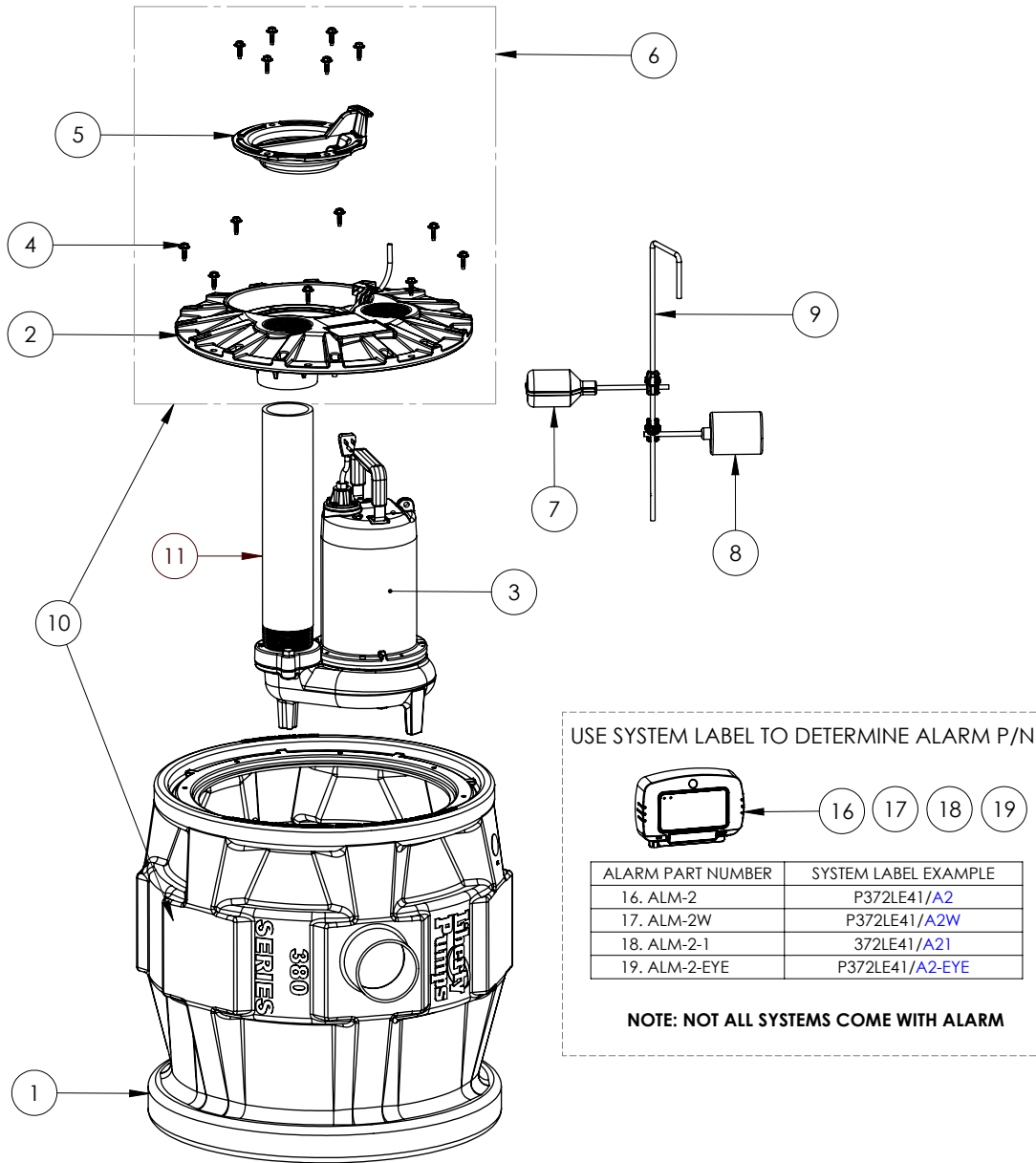


P383XLE102 (B94)



P383XLE102

P383XLE102 (B94)

| #  | PART #                        | DESCRIPTION   | QTY | Note |
|----|-------------------------------|---|-----|------|
| 1  | K001133                       | 380XL TANK 16 BOLTS                                       | 1   |      |
| 2  | 50350B0                       | 3X3 COVER, 16 BOLT  | 1   |      |
| 3  | LE102M3                       | 1 HP SEWAGE PUMP 208-230V, 10' POWER CORD                 | 1   |      |
| 4  | K001162                       | COVER HARDWARE, WASHER HEAD HEX SCREWS 14 INCLUDED IN KIT | 1   |      |
| 5  | K001233                       | INSPECTION COVER, INCLUDES MOUNTING SCREWS (6)            | 1   |      |
| 6  | K001128                       | 3X3 COVER ASSEMBLY, 16 BOLT                               | 1   |      |
| 7  | Pro Series Alarm switch (B94) | REPLACEMENT SWITCH BASED ON SYSTEM LABEL                  | 1   | [1]  |
| 8  | K001019                       | 61140A0 PUMP SWITCH, 10' 230V, INCLUDES MOUNTING HARDWARE | 1   |      |
| 9  | K001123                       | QUICKTREE KIT, ROD & CLAMPS ONLY                          | 1   |      |
| 10 | K001138                       | P383XL TANK AND COVER 10'ST                               | 1   |      |
| 11 | 40660B0                       | 3" SCH80 PVC PIPE FOR 24" TANK, 17-1/8" LONG              | 1   |      |
| 16 | ALM-2                         | ALARM 115V SWT-ACTV 20'                                   | 1   |      |
| 17 | ALM-2W                        | 115V ALARM, WEATHERPROOF                                  | 1   |      |
| 18 | ALM-2-1                       | ALARM 115V 10FT CORD                                      | 1   |      |
| 19 | ALM-2-EYE                     | ALARM 115V SWT-ACTV 20' NIGHTEYE                          | 1   |      |
| 20 | K001134                       | FLOAT SWITCH, 20FT CORD, INCLUDES 1 SWITCH PER KIT        | 1   |      |
| 21 | K001566                       | KIT, SWITCH PILOT DUTY, 10' 3-PIN                         | 1   |      |
| 22 | K001569                       | KIT, SWITCH PILOT DUTY, 20' 3-PIN                         | 1   |      |

**PART NOTES:**

- [1] - \*\*NOTE\*\*
- ALARM SWITCH KITS
- For /A2 Suffix of model number use Part No. K001569
- For /A21 Suffix of model number use Part No. K001566
- For /A2W Suffix of model number use Part No. K001134
- For /A2-EYE Suffix of model number use Part No. K001569