

## 72. SEG

## 50 Hz/ 60 Hz / 60 Hz US

## Impeller - 50 Hz

Pos.	Description	Kit No	SEG.40				SEG.50				
			0.9 kW	1.2 kW	1.5 kW	2.6 kW	3.1 kW	4.0 kW	2.6 kW	3.1 kW	4.0 kW
			96076115	96076116	96076117	96076118	96076119	96076120	99346032	99346046	99346048
9a	Key	5 x 5 x 12	1	1	1	-	-	-	-	-	-
		6 x 6 x 14	-	-	-	1	1	1	1	1	1
49	Impeller		1	1	1	1	1	1	1	1	1
66	Locking ring		1	1	1	1	1	1	1	1	1
68	Adjustment nut		1	1	1	1	1	1	1	1	1
188a	Screw		1	1	1	1	1	1	1	1	1

## Impeller - 60 Hz

Pos.	Description	Kit No	SEG.(K)40				SEG.(K)50				
			0.9 kW	1.2 kW	1.5 kW	2.6 kW	3.1 kW	4.0 kW	2.6 kW	3.1 kW	4.0 kW
			98453205	98453203	98453192	98453178	98453177	98453174	98453206	98453179	98453172
9a	Key	5 x 5 x 12	1	1	1	-	-	-	-	-	-
		6 x 6 x 14	-	-	-	1	1	1	1	1	1
49	Impeller		1	1	1	1	1	1	1	1	1
66	Locking ring		1	1	1	1	1	1	1	1	1
68	Adjustment nut		1	1	1	1	1	1	1	1	1
188a	Screw		1	1	1	1	1	1	1	1	1

## Impeller - 60 Hz US

Pos.	Description	Kit No	SEG.A15				SEG.A20		
			2.0 hp	3.0 hp	4.0 hp	5.5 hp	3.0 hp	4.0 hp	5.5 hp
			98453192	98588986	98453177	98453174	98453191	98453179	98453172
9a	Key	5 x 5 x 12	1	-	-	-	-	-	-
		6 x 6 x 14	-	1	1	1	1	1	1
49	Impeller		1	1	1	1	1	1	1
66	Locking ring		1	1	1	1	1	1	1
68	Adjustment nut		1	1	1	1	1	1	1
188a	Screw		1	1	1	1	1	1	1

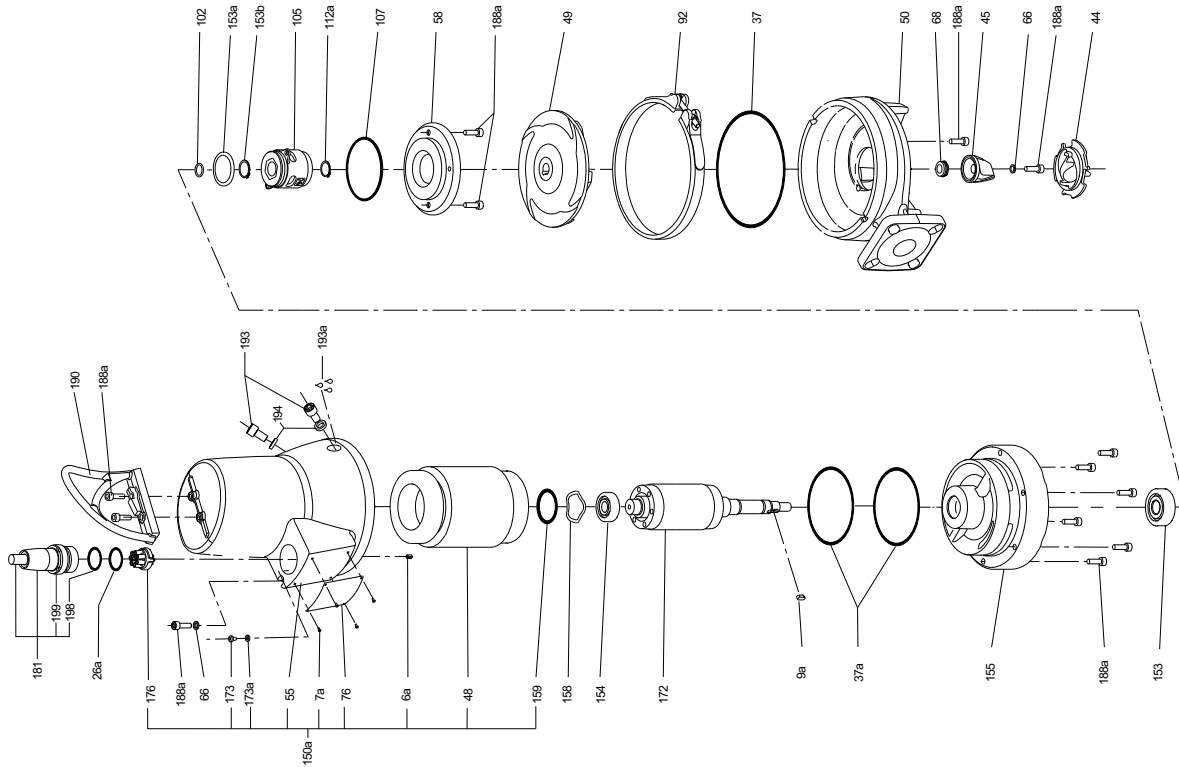
## O-ring

Pos.	Description	Kit No	0.9 - 1.5 kW / 2.0 hp		2.6 - 4.0 kW / 3.0 - 5.5 hp	
			NBR	FKM	NBR	FKM
			96076124	96646061	96076125	96646062
16	O-ring	34.2 x 3.0	1	-	1	1
26a	O-ring	32.0 x 4.0	1	1	1	1
37	O-ring	164.5 x 3.0	1	1	-	-
		204.0 x 3.0	-	-	1	1
37a	O-ring	114.0 x 3.0	2	2	-	2
		144.3 x 5.7	-	-	2	2
90b	O-ring	180.0 x 2.0	-	1	-	1
102	O-ring	16.0 x 1.5	1	1	-	-
		17.3 x 2.4	-	-	1	1
107	O-ring	47.0 x 3.0	1	1	-	-
		50.0 x 3.0	-	-	1	-
		90.0 x 4.0	-	-	-	1
108	O-ring	50.0 x 3.0	1	1	2	2
153b	O-ring	28.0 x 2.0	1	1	-	1
159	O-ring	32.0 x 2.0	1	1	-	-
		37.0 x 2.0	1	1	-	-
		52.0 x 3.0	-	-	1	1
185	O-ring	31.0 x 2.0	1	-	1	-
194	Sealing washer		2	2	2	2
198	O-ring	34.2 x 3.0	-	1	-	1
-	Bush for shaft seal		1	1	-	-

## Sphere for hook-up - 50 Hz

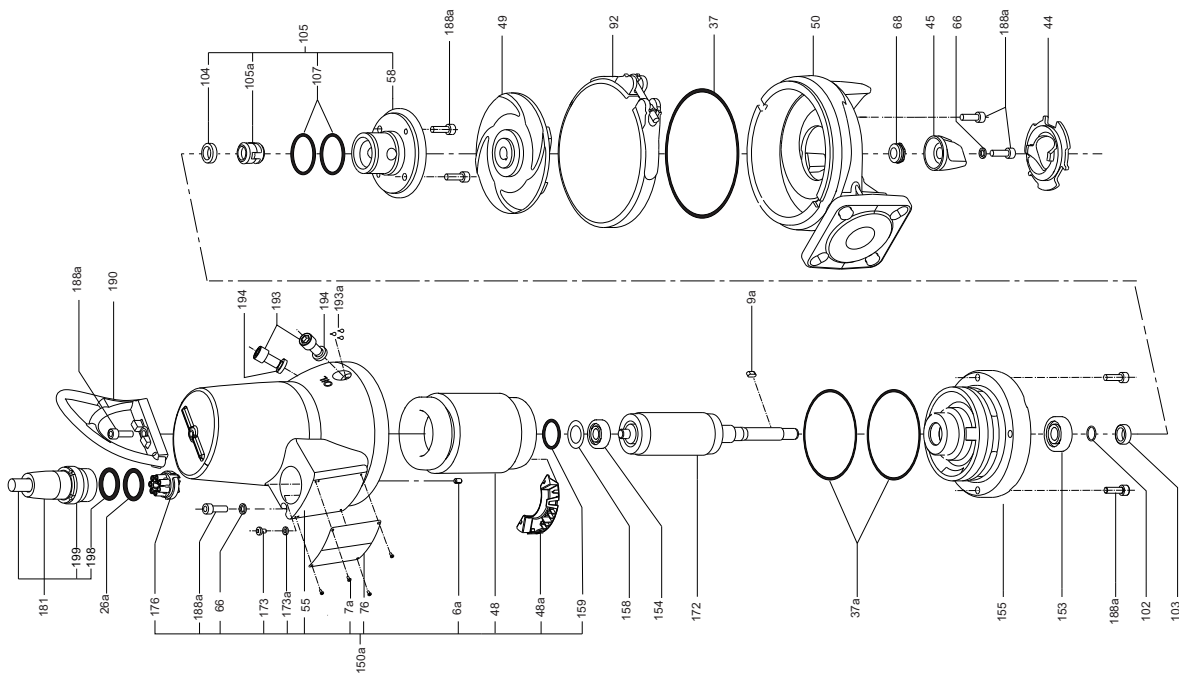
Pos.	Description	Rubber type	DN 40 / Rp 1 1/2		DN 50 / Rp 2	
			NBR	FKM	NBR	FKM
			96592033	96657776	96592034	96657778
-	Sphere for hook-up		1	1	1	1

2.6 to 4.0 kW / 3.0 to 5.5 hp



TM06 5759 4717

Up to 1.5 kW / 2.0 hp



TM06 5739 4717

## Shaft seal

Pos.	Description	Kit No	SEG.(K)40		SEG.(K)50		SEG.A15		SEG.A20	
			0.9-1.5 kW	2.6-4.0 kW	0.9-1.5 kW	2.6-4.0 kW	2.0 hp	3.0-5.5 hp	2.0 hp	3.0-5.5 hp
			NBR	FKM	NBR	FKM	NBR	FKM	NBR	FKM
			96076122	96645160	96076123	96645275	96076122	96645160	96076123	96645275
9a	Key	5 x 5 x 12 6 x 6 x 14	1 -	1 -	- 1	- 1	1 -	1 -	- 1	- 1
37	O-ring	164.5 x 3.0 204.0 x 3.0	1 -	1 -	- 1	- 1	1 -	1 -	- 1	- 1
58	Shaft seal retainer		1	-	-	-	1	-	-	-
66	Lock washer		1	1	1	1	1	1	1	1
102	O-ring	16.0 x 1.5 17.3 x 2.4	1 -	1 -	- 1	- 1	1 -	1 -	- 1	- 1
103	Bush for seal ring		1	1	-	-	1	1	-	-
104	Seal ring		1	-	-	-	1	-	-	-
105	Shaft seal cartridge		1	1	1	1	1	1	1	1
107	O-ring	47.0 x 3.0 90.0 x 4.0	2 -	- -	- 1	- 1	2 -	- -	- 1	- 1
112a	Retaining ring		-	-	1	1	-	-	1	1
188a	Screw		1	1	1	1	1	1	1	1
194	Sealing washer		2	2	2	2	2	2	2	2
-	Bush for shaft seal		1	1	-	-	1	1	-	-

## Grinder

Pos.	Description	Kit No	SEG.(K)40		SEG.(K)50	SEG.A15		SEG.20
			standard	heavy duty	heavy duty	standard	heavy duty	standard
			96076121	96903344	98453210	96076121	96903344	98453210
44	Grinder ring		1	1	1	1	1	1
45	Grinder head		1	1	1	1	1	1
66	Lock washer		1	1	1	1	1	1
188a	Screw		1	1	1	1	1	1

## Cable - 50 Hz

Pos.	Description	Length Type	10 m		15 m		20 m		25 m	
			Standard	Ex	Standard	Ex	Standard	Ex	Standard	Ex
			181	Cable	96591649	96689976	96659473	96689977	96591660	96689978

## Cable - 60 Hz

Pos.	Description	SEG.(K)40/50				SEG.A15/20			
		10 m	15 m	20 m	25 m	33 ft	49 ft	66ft	82 ft
		181	Cable	97634728	97634909	97634910	97634911	97634728	97634909

## Cable plug

Pos.	Description	Type size	Connection	Kit No
176	Plug for power connection	0.9-1.5 kW / 2.0 hp	Y	96747254
		2.6 kW / 3.0 hp	-	96747255
		0.9-1.5 kW / 2.0 hp	D	96747257
		0.9-1.2 kW	1-phase	96747258

## Lifting bracket

Pos.	Description	0.9 - 1.5 kW		2.6 - 4.0 kW	2.0 hp	3.0 - 5.5 hp
		Kit No	96690420	96690428	96690420	96690428
188a	Screw	1		1	1	1
190	Lifting bracket	1		1	1	1

## Shaft with rotor - 50 Hz

High flow variants only.

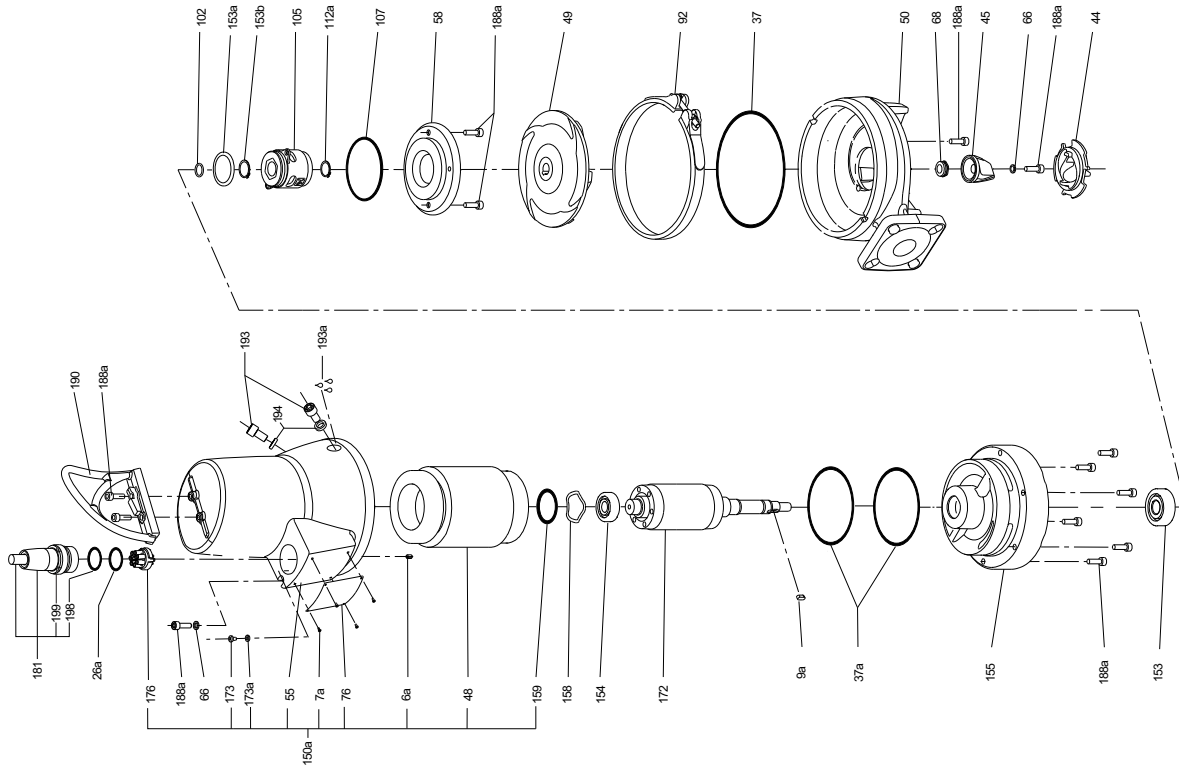
Pos.	Description	2.6 kW		3.1 - 4.0 kW	
		standard	Ex	standard	Ex
		Kit No	99346054	99346055	99346058
172	Shaft with rotor	1	1	1	1

## Shaft seal carrier- 50 Hz

High flow variants only.

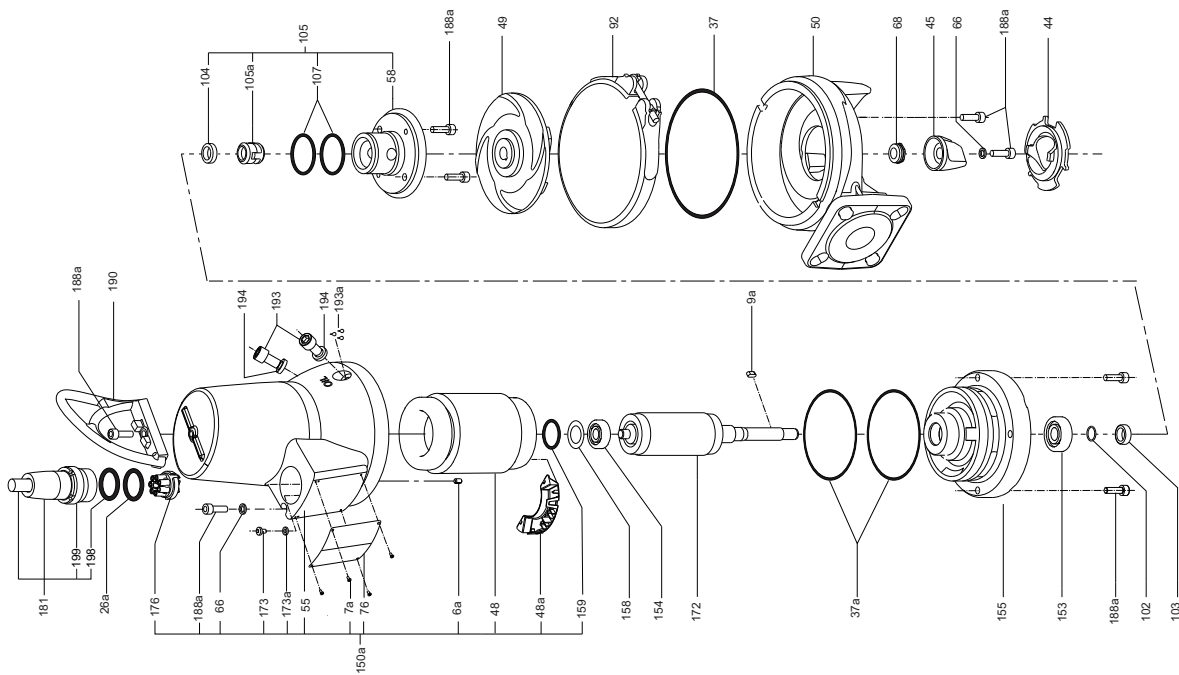
Pos.	Description/Kit No	99346051
58	Shaft seal carrier	1

2.6 to 4.0 kW / 3.0 to 5.5 hp



TM06 5759 4717

Up to 1.5 kW / 2.0 hp



TM06 5739 4717

## Bearings

Pos.	Description	50 Hz		60 Hz		60 Hz US	
		0.9 - 1.5 kW	2.6 - 4.0 kW	0.9 - 1.5 kW	2.6 - 4.0 kW	2.0 hp	3.0 - 5.5 hp
		Kit No	98682341	96690710	96690709	96690710	96690709
153	Bearing (lower)	1	1	1	1	1	1
153b	Retaining ring	-	1	-	1	-	-
154	Bearing (upper)	1	1	1	1	1	1

## Pump housing - 60 Hz

Pos.	Description	SEG.40		SEG.50	SEG.K40		SEG.K50	SEG.A15		SEG.A20
		0.9 - 1.5 kW	2.6 - 4.0 kW	2.6 - 4.0 kW	0.9 - 1.5 kW	2.6 - 4.0 kW	2.6 - 4.0 kW	2.0 hp	3.0 - 5.5 hp	3.0 - 5.5 hp
		Kit No	98453277	98453280	98453300	98453296	98453299	98453291	98453278	98453298
50	Pump housing	1	1	1	1	1	1	1	1	1

## Pump housing - 50 Hz

Pos.	Description	SEG.50	
		2.6 - 4.0 kW	
		Kit No	
50	Pump housing	99346023	
		1	

## Clamp

Pos.	Description	0.9 - 1.5 kW	2.6 - 4.0 kW
		2.0 hp	3.0 - 5.5 hp
		Kit No	
92	Clamp complete	1	1
		96592050 / 96592054	

## Guide claw - 50 Hz

Pos.	Description	DN 40		
		Rubber type	NBR	FKM
		Kit No	96592055	96659162
-	Rubber seal for guide shoe	1	1	
-	Guide shoe	1	1	

## Stator with housing - 60 Hz

Pos.	Description	SEG.(K)40 / SEG.A15		0.9 - 1.5 kW / 2.0 hp				2.6 kW / 3.0 hp			3.1 - 4.0 kW / 4.0 - 5.5 hp		
		DIN	208-230 V	380 V	460 V	200-230 V	380 V	460 V	200-230 V	380 V	460 V	200-230 V	
			US	208-230 V	460 V	575 V	200-230 V	460 V	575 V	200-230 V	460 V	575 V	200-230 V
		Kit No	98451891	98451893	98451884	98451878	98451898	98451885	98451879	98451904	98451887	98451880	
6a	Spring pin	1	1	1	1	1	1	1	1	1	1		
48	Stator	1	1	1	1	1	1	1	1	1	1		
48a	Cover for stator connection	1	1	1	1	-	-	-	-	-	-		
55	Stator housing	1	1	1	1	1	1	1	1	1	1		
159	O-ring NBR	37.0 x 2.0	1	1	1	-	-	-	-	-	-		
		52.0 x 3.0	-	-	-	1	1	1	1	1	1		
173	Screw	1	1	1	1	1	1	1	1	1	1		
173a	Lock washer	1	1	1	1	1	1	1	1	1	1		
176	Cable plug	1	1	1	1	1	1	1	1	1	1		
1031	Connector pin	-	-	-	-	6	6	6	6	6	6		
-	Short circuit bridge	-	1	1	-	-	-	-	-	-	-		
-	Cover against sharp edges	-	-	-	-	1	1	1	1	1	1		

Pos.	Description	SEG.(K)50 / SEG.20		2.6 kW / 3.0 hp			3.1 - 4.0 kW / 4.0 - 5.5 hp		
		DIN	380 V	460 V	200-230 V	380 V	460 V	200-230 V	
			US	460 V	575 V	200-230 V	460 V	575 V	200-230 V
		Kit No	98451898	98451885	98451879	98451904	98451887	98451880	
6a	Spring pin	1	1	1	1	1	1		
48	Stator	1	1	1	1	1	1		
55	Stator housing	1	1	1	1	1	1		
159	O-ring NBR	52.0 x 3.0	1	1	1	1	1		
173	Screw	1	1	1	1	1	1		
173a	Lock washer	1	1	1	1	1	1		
176	Cable plug	1	1	1	1	1	1		
1031	Connector pin	6	6	6	6	6	6		
-	Cover against sharp edges	1	1	1	1	1	1		

## SmartSeal - 50 Hz

Pos.	Description	DN 40	
		NBR	FKM
		Kit No	96592036
-	SmartSeal for guide claw	1	1

## Upper guide rail holder - 50 Hz

Pos.	Description	DN 40
		Kit No
		96829356
-	Upper guide rail holder 3/4"	1
-	Rubber tube (20-9-35)	2
-	Rubber tube (26-9-35)	2
-	Screw	2
-	Washer	2
-	Nut	2



