

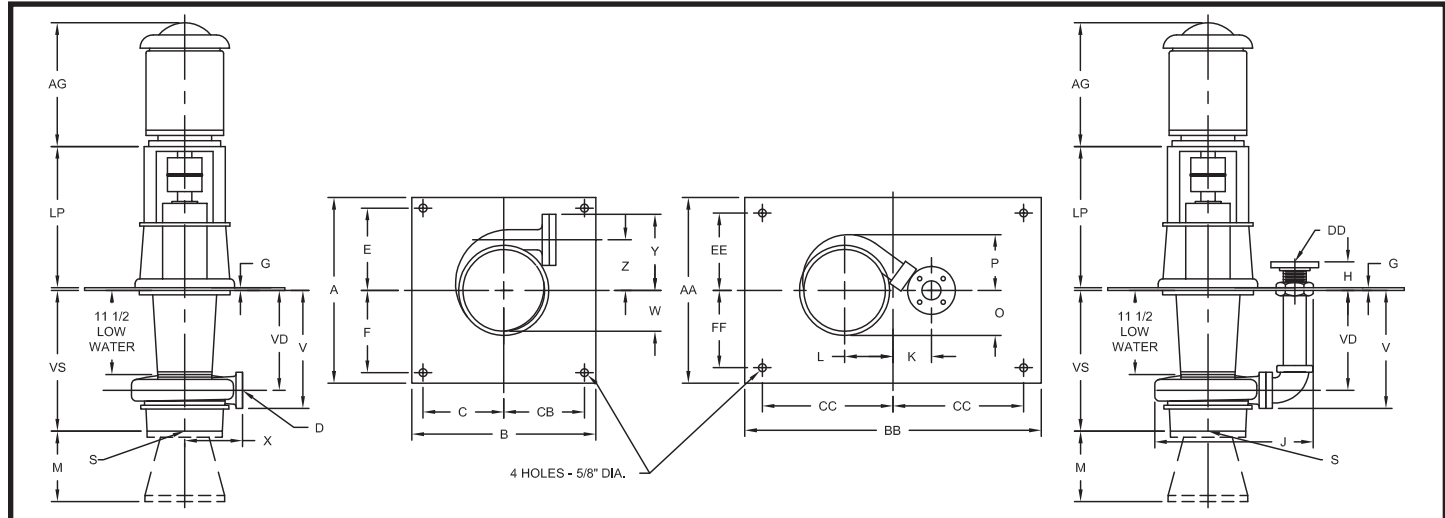
All Sizes - Fig. 5564

Iron Construction
Bulletin 5460

DEMING®

www.cranepumps.com

Vertical Immersion and Process Pumps



Pump Size	4 x 4	6 x 4	6 x 6	8 x 6	8 x 8	10 x 10
D (1)	4	4	6	6	8	10
DD (1)	4	4	6	6	8	10
H	5 1/4	5 1/4	7 1/4	7	6 5/8	8 3/8
J	28 1/4	28 1/4	30 1/2	31 1/4	38 5/8	42 1/8
K	11 1/2	10 5/8	9 5/8	10 1/2	12 1/2	13 1/4
L	4 3/4	5 1/4	7	7	8	8
DD1	--	--	--	--	--	--
H1	--	--	--	--	--	--
J1	--	--	--	--	--	--
K1	--	--	--	--	--	--
A	30	30	30	32	36	36
B	21	21	21	24	26	26
C	10	10	10	11	14	14
CB	9	9	9	11	10	10
E	16	16	16	17	20	20
F	12	12	12	13	14	14
AA	24	24	26	26	32	32
BB	32	36	42	42	48	48
CC	15	17	20	20	23	23
EE	12	12	13	13	17	17
FF	10	10	11	11	13	13
G	5/8	5/8	5/8	5/8	5/8	5/8
M (2)	6	8	8	9 3/8	9 3/8	10
O	8	8 1/4	8 3/8	9 1/8	11	11
P	9 1/4	9 3/4	10 1/4	11	15	15
S	4	6	6	8	8	10
V (3)	18 3/8	19 1/8	20 3/8	20 1/2	21 3/8	24 3/8
VD (3)	14 3/8	14 3/8	14 3/8	15	15 3/8	16 3/8
VS (3)	16 3/8	17 3/8	18 3/8	18 1/2	19 3/8	21 3/8
W	8 3/4	9 1/2	9 1/2	10	11 3/4	11 3/4
X	9	9	9	9 1/2	11	11
Y	12 1/4	12 1/4	13 1/4	14 3/8	17 1/4	18 3/8
Z	7 3/8	7 3/4	8 3/8	8 3/8	10 1/2	10 3/8

NOTES: (1) Pumps have 125# ANSI flanged connections.
(2) Suction Bell, when specified.
(3) Dimensions shown are for 12" column length. For 9" column deduct 3". For 15" column add 3", adjust "low water" dimension according to column length.

APPROXIMATE MOTOR DIMENSIONS

Motor Frame	56	143	145	182	184	213	215	254	256	284	286	324	326	364	365	404	405
Type	C	TC	TC	TC	TC	TC	TC	TC	TC	TC	TC	TSC	TSC	TSC	TSC	TSC	TSC
AG	13 3/8	10 3/8	11 3/8	12 3/4	13 3/4	15 1/8	16 3/4	18 3/8	20 3/8	20	21 1/2	22	23 1/2	27 1/4	28 3/4	30	31
LP	18 3/4			20 1/4				21			21 7/16						

Customer				Shop Order No.				Date:			By:		
Pump Data	Fig. No.	Size	Curve No.	GPM	Head	Sp. Gr.	Temp.	Rotation	Packing/Seal				
Motor Data	MFGR	Hp	RPM	Phase-Cycle Voltage		Frame	Enclosure	Insulation	Furnished by	Mounted			

SECTION 44
PAGE 10
DATE 5/15

CRANE
A Crane Co. Company

PUMPS & SYSTEMS

USA: (937) 778-8947 • Canada: (905) 457-6223 • International: (937) 615-3598