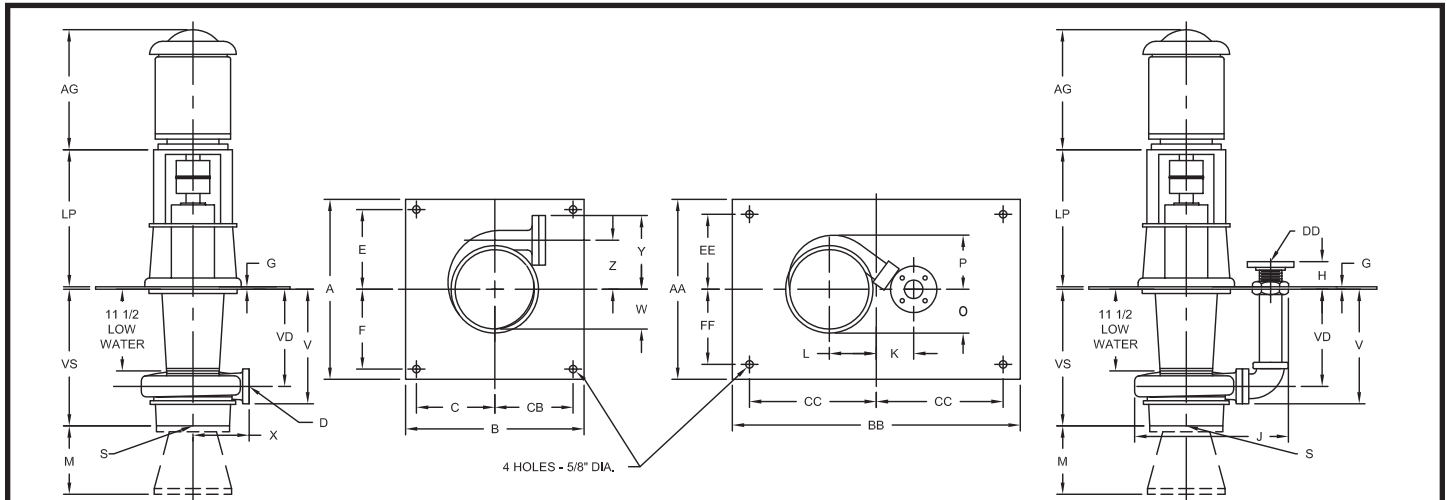


Vertical Immersion and Process Pumps



Pump Size	1	1½	1S	1½S	1½M	1½L	2S	2M	3MD	4S	4MD	5MSD, 5MD	6MD, 6MLD
D (1)	1	1½	1	1½	1½	1½	2	2	3	4	4	5	6
DD (1)	1	1½	1	2	2	2	2½	2½	3	4	4	5	6
H	3¾	3½	4	3¾	3¾	3¾	4¾	4¾	5½	5½	5½	5½	5½
J	14¾	15⅞	17¼	18½	20%	22%	20%	21	23¼	24¾	26%	27%	30½
K	6¼	6⅞	7½	8⅞	8⅞	10%	8¼	9%	8½	8¾	9¼	9¼	10¼
L	3	3	3	3	4	3%	*4	*4	5	5	6½	6½	6
DD1 (2)	1½	2	1½	2½	2½	2½	3	3	4	5	5	6	8
H1 (2)	6¼	3%	6%	4%	4½	4½	4¼	4¼	4½	5½	5½	5%	5%
J1 (2)	15%	16%	17½	19¼	21%	23%	20%	22%	24	24¾	27	28%	32¼
K1 (2)	6¼	7%	7%	8¼	8%	10%	7¼	8¼	8½	8¾	9¼	9¼	10%
A	15	15	18	18	18	21	18	18	21	24	24	24	26
B	15	15	18	18	18	18	18	18	18	18	18	18	21
C	6½	6½	8	8	8	8	8	8	8	8	8	8	9½
CB	6½	6½	8	8	8	8	8	8	8	8	8	8	9½
E	7	7	9	9	9	11	9	9	11	13	13	13	14½
F	6	6	7	7	7	8	7	7	8	9	9	9	9½
AA	15	15	18	18	18	20	18	18	18	21	24	24	28
BB	21	21	26	26	26	26	26	26	26	30	36	36	42
CC	9½	9½	12	12	12	12	12	12	12	14	17	17	20
EE	6½	6½	8	8	8	9	8	8	8	9½	11	11	13
FF	6½	6½	8	8	8	9	8	8	8	9½	11	11	13
G	¾	¾	½	½	½	½	½	½	½	½	¾	¾	¾
M (3)	--	--	--	--	--	--	--	--	--	--	--	--	--
O	4	4¼	5%	5%	6¼	7%	5½	6¼	6½	6%	6¼	7%	8
P	4¾	5	5¼	5%	6½	7½	6	7	7½	7¾	8	9%	10%
S	1½	2	1½	2	2	2	3	3	4	5	5	6	6
V (4)	15%	16%	15%	16%	16%	16%	16%	16%	17¼	18%	18¼	19¼	19%
VD (4)	13%	13%	13½	13%	13%	13%	13%	13%	14%	14%	14¼	14¼	14%
VS (4)	16%	16%	16½	17¼	17¼	17%	17¼	17½	18%	20%	20¼	20%	20%
W	4½	4½	5¼	5%	6%	7%	5½	6¼	6¼	6%	6%	7½	8½
X	5	5	6	5¼	6%	7½	6¼	7	8	7	9	9	9
Y	5¾	6½	6%	7¼	8¼	9¼	7¼	8%	10	10½	11	12%	13½
Z	3%	4	4½	4¼	5¼	6¼	4¼	5¼	6¼	6	6½	7%	8

NOTES: (1) Pumps have 125# ANSI flanged connections.
 (2) Dimensions apply to optional larger discharge pipe assemblies where available. Dimension H1 may vary somewhat from that shown
 (3) Suction Bell, when specified.
 (4) Dimensions shown are for 12" column length. For 9" column deduct 3". For 15" column add 3", adjust "low water" dimension according to column length
 (*) 2S, 2M pumps with optional 3" discharge pipe, L dimension is 5".

APPROXIMATE MOTOR DIMENSIONS

Motor Frame	56	143	145	182	184	213	215	254	256	284	286	324	326	364	365	404	405
Type	C	TC	TC	TC	TC	TC	TC	TC	TC	TC	TC	TSC	TSC	TSC	TSC	TSC	TSC
AG	13%	10%	11%	12¼	13¼	15%	16¼	18%	20%	20	21½	22	23½	27¼	28¼	30	31
LP	18¾			20¼				21			21⅞						

Customer	Shop Order No.				Date:				By:			
Pump Data	Fig. No.	Size	Curve No.	GPM	Head	Sp. Gr.	Temp.	Rotation	Packing/Seal			
Motor Data	MFGR	Hp	RPM	Phase-Cycle Voltage		Frame	Enclosure	Insulation	Furnished by		Mounted	

