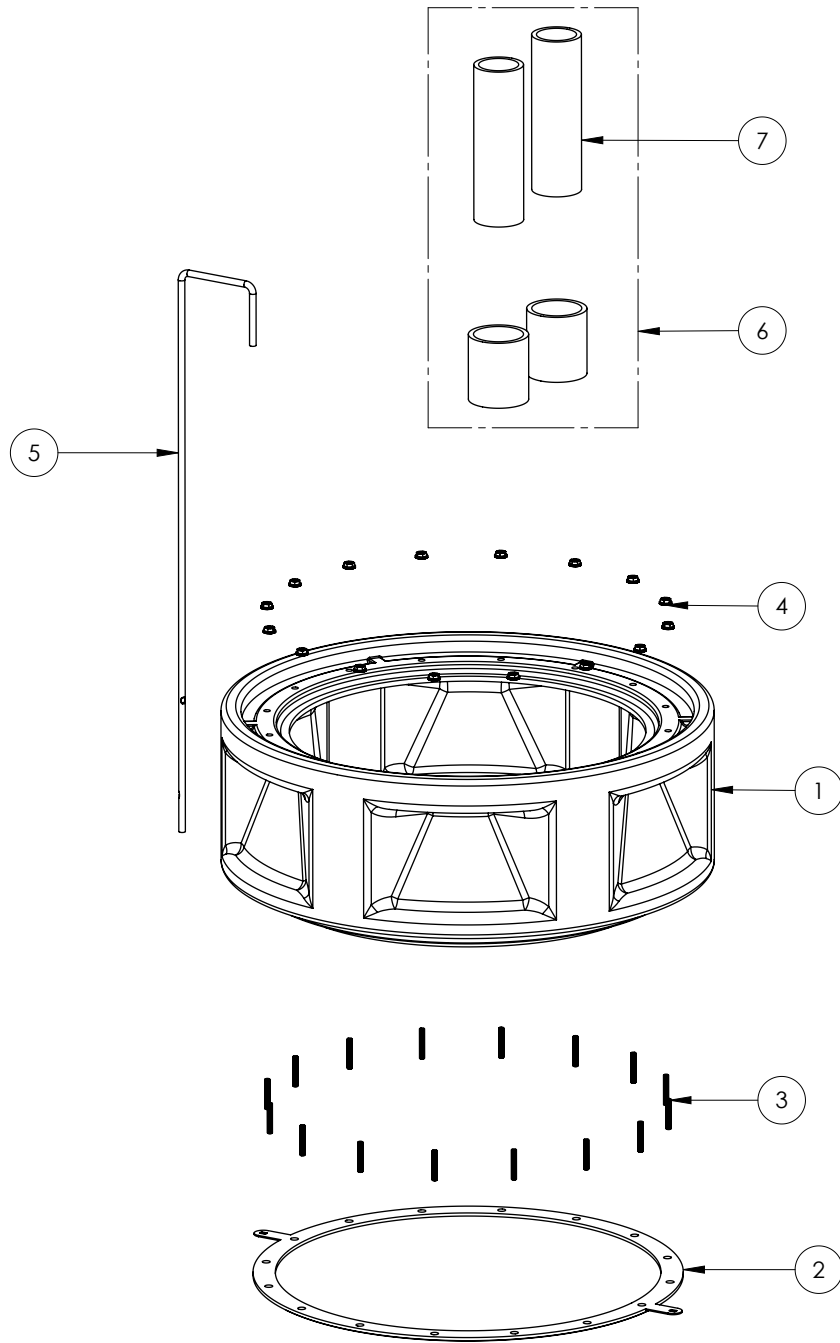


# X8-D (B10-C)



## X8-D (B10-C)

#	PART #	DESCRIPTION	QTY	Note
1	X8-D	PRO SERIES EXTENSION KIT, DUPLEX	1	
2	45990A0	GASKET MOLDED 20CVR SOFT	1	
3	8174000	1/4-20 X 1.5" SS STUD	16	
4	8172000	1/4-20 HEX FLANGE NUT	16	
5	5460000	FLOAT SUPPORT	1	
6	K001333	2" PVC SCH80 COUPLING SOC X SOC, INCLUDES 7.75" 2" PIPE	2	
7	K001426	2" PIPE PVC SCH80 7-3/4" LONG	2	