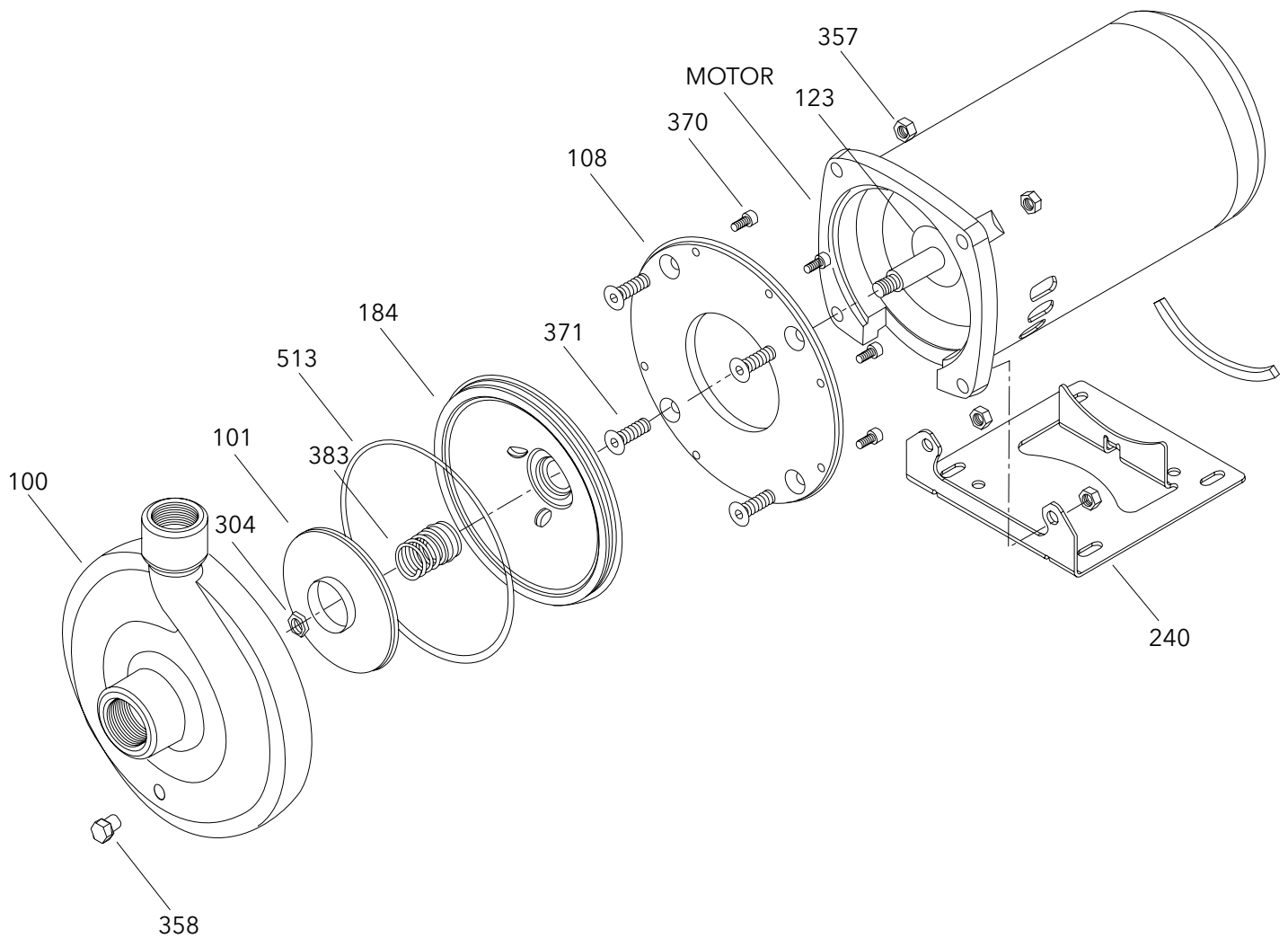


# MCC REPAIR PARTS



REPAIR PARTS / RMCC R3



| Item No. | Description                         | Materials of Construction | 1MC<br>1 x 1¼             | 2MC<br>1¼ x 1½ | 3MC<br>1½ x 2 | Quantity |
|----------|-------------------------------------|---------------------------|---------------------------|----------------|---------------|----------|
| 100      | Casing                              | Iron                      | 1K337                     | 1K338          | 1K339         | 1        |
| 101      | Impeller                            | AISI 316L SS              | See Impeller Chart        |                |               | 1        |
| 108      | Motor adapter                       | Aluminum                  | 1K336                     |                |               | 1        |
| 123      | Deflector                           | BUNA-N                    | 5K7                       |                |               | 1        |
| 184      | Seal housing                        | AISI 316L SS              | 1L79                      |                |               | 1        |
| 240      | Motor support                       | Steel                     | 4K628                     |                |               | 1        |
|          | Rubber channel - 56 FRM<br>- 48 FRM | Rubber                    | 9K188                     |                |               | 1        |
|          |                                     |                           | 9K286                     |                |               | 1        |
| 304      | Impeller locknut                    | AISI 316 SS               | 13K286                    |                |               | 1        |
| 357      | Nut, motor                          | AISI 300 SS               | 13K262                    |                |               | 4        |
| 358      | Plug, drain                         | Plated Steel              | 6K2                       |                |               | 1        |
| 370      | Socket head screw, casing           | AISI 410 SS               | 13K268                    |                |               | 8        |
| 371      | Bolts, motor                        | AISI 300 SS               | 13K287                    |                |               | 4        |
| 383      | Mechanical seal                     | -                         | See mechanical seal chart |                |               | 1        |
| 513      | O-ring, casing                      | BUNA                      | 5K4                       |                |               | 1        |
|          |                                     | EPR                       | 5K193                     |                |               |          |
|          |                                     | Viton standard            | 5K206                     |                |               |          |

| Mechanical Seal (5/8" seal) |             |            |             |          |
|-----------------------------|-------------|------------|-------------|----------|
| Rotary                      | Stationary  | Elastomers | Metal Parts | Part No. |
| Carbon                      | Ceramic     | BUNA       | 18-8SS      | 10K10    |
|                             |             | EPR        | 316 SS      | 10K18    |
|                             |             | Viton      |             | 10K55*   |
| Sil-Carbide                 | Sil-Carbide | EPR        | 316 SS      | 10K81    |
|                             |             | Viton      |             | 10K62    |

\*Replaces obsolete 10K24.

| Impeller Code | Pump Size  |          |             |          |            |          |
|---------------|------------|----------|-------------|----------|------------|----------|
|               | 1 x 1¼ - 6 |          | 1¼ x 1½ - 6 |          | 1½ x 2 - 6 |          |
|               | Diameter   | Part No. | Diameter    | Part No. | Diameter   | Part No. |
| A             | 6⅛         | 2K1203   |             |          | 5⅛         | 2K1401   |
| B             | 5¾         | 2K1202   | 6           | 2K1392   | 5          | 2K1402   |
| C             | 5⅓         | 2K1201   | 5¾          | 2K1393   | 4¾         | 2K1403   |
| D             | 4¾         | 2K1200   | 5⅓          | 2K1394   | 4½         | 2K1404   |
| E             | 4⅞         | 2K1199   | 5           | 2K1395   | 4⅜         | 2K1405   |
| F             | 4          | 2K1211   | 4⅞          | 2K1396   | 4          | 2K1406   |
| G             |            |          | 4⅝          | 2K1397   | 3⅝         | 2K1407   |
| H             |            |          | 4¼          | 2K1398   |            |          |
| J             |            |          | 4           | 2K1399   |            |          |



Xylem Inc.  
Phone: (866) 673-0428  
Fax: (888) 322-5877  
www.xylem.com/goulds

Goulds is a registered trademark of Goulds Pumps Inc. and is used under license.  
© 2020 Xylem Inc. BMCC R3 July 2020