



TYPE "B" SINGLE STAGE CENTRIFUGAL PUMP SAE Engine Mount

Section	SAE
Page	210.1
Date	January 1, 2004
Supercedes 6/1/96	

CAST IRON IMPELLER

B6JQBM

Flanged Case

Packing Construction

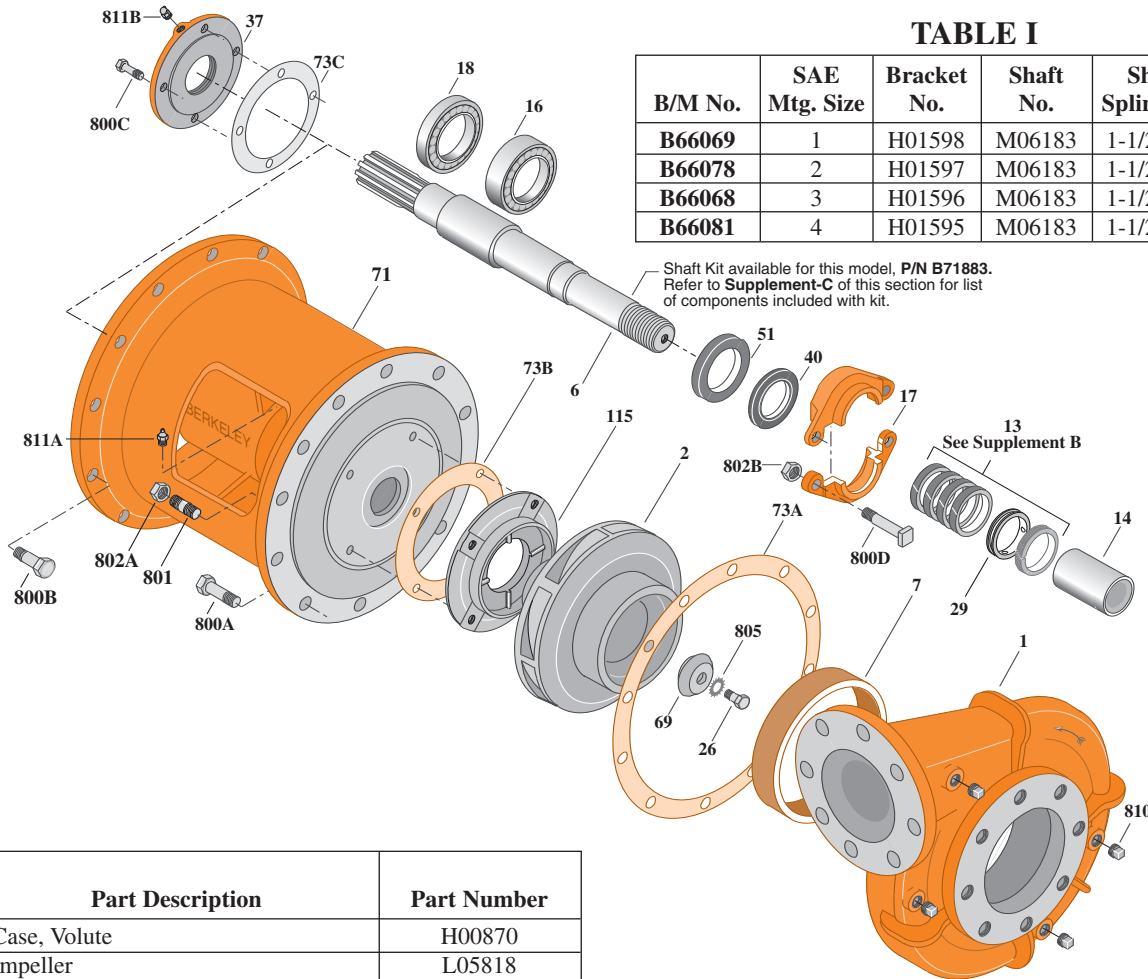


TABLE I

B/M No.	SAE Mtg. Size	Bracket No.	Shaft No.	Shaft Spline No.	Shaft Ext.
B66069	1	H01598	M06183	1-1/2-10T	3"
B66078	2	H01597	M06183	1-1/2-10T	3"
B66068	3	H01596	M06183	1-1/2-10T	3"
B66081	4	H01595	M06183	1-1/2-10T	3"

Shaft Kit available for this model, P/N B71883. Refer to Supplement-C of this section for list of components included with kit.

Item No.	Part Description	Part Number
1	Case, Volute	H00870
2	Impeller	L05818
6	Shaft (See Note)	See Table I
7	Ring, Wearing	S01234
13	Ring, Packing (Set of 4)	S13436
14	Sleeve, Shaft	S05974
16	Bearing, Ball	S13396
17	Gland, Packing	B82472
18	Bearing, Ball	S13395
26	Screw, Impeller 1/2-13x2"	S23627
29	Ring, Lantern	S18993
37	Outer Bearing Cap	M04998
40	Slinger, Water	S10964
51	Seal, Oil	S14765
69	Washer, Impeller	S19275
71	Bracket	See Table I
73A	Gasket, Volute	S06271
73B	Gasket, Balance Ring	S09943
73C	Gasket	S18055
115	Ring, Balance	S12315

Item No.	Part Description	Part Number
800A	Capscrew, Hex 5/8-11x1-1/2" (12 Req.)	S26999
800B	Capscrew, Hex 3/8-16x1-1/4" (12 Req. - SAE 1)	S26872
800B	Capscrew, Hex 3/8-16x1-1/4" (12 Req. - SAE 2, SAE 3, SAE 4)	S26828
800C	Capscrew, Hex 1/4-20x3/4" (4 Req.)	S23119
800D	Bolt, Sq. Head 1/2-13x2-3/4" (2 Req.)	S23794
801	Stud, 3/8-16x1-1/4" (4 Req.)	S23994
802A	Nut, Hex 3/8-16 (4 Req.)	S23103
802B	Nut, Hex 1/2-13x7/16" (2 Req.)	S23347
805	Washer, Lock	S23038
810	Plug, Pipe 1/2 NPT (4 Req.)	S23717
811A	Fitting, Grease	S23670
811B	Fitting, Grease	S23702
•	Fitting, Grease	S23700

• Not illustrated.



TYPE "B" SINGLE STAGE CENTRIFUGAL PUMP SAE Engine Mount

Section	SAE
Page	210.1.1
Date	January 1, 2004
Supercedes/New	

CAST IRON IMPELLER

B6JQBM

Flanged Case

Packing Construction

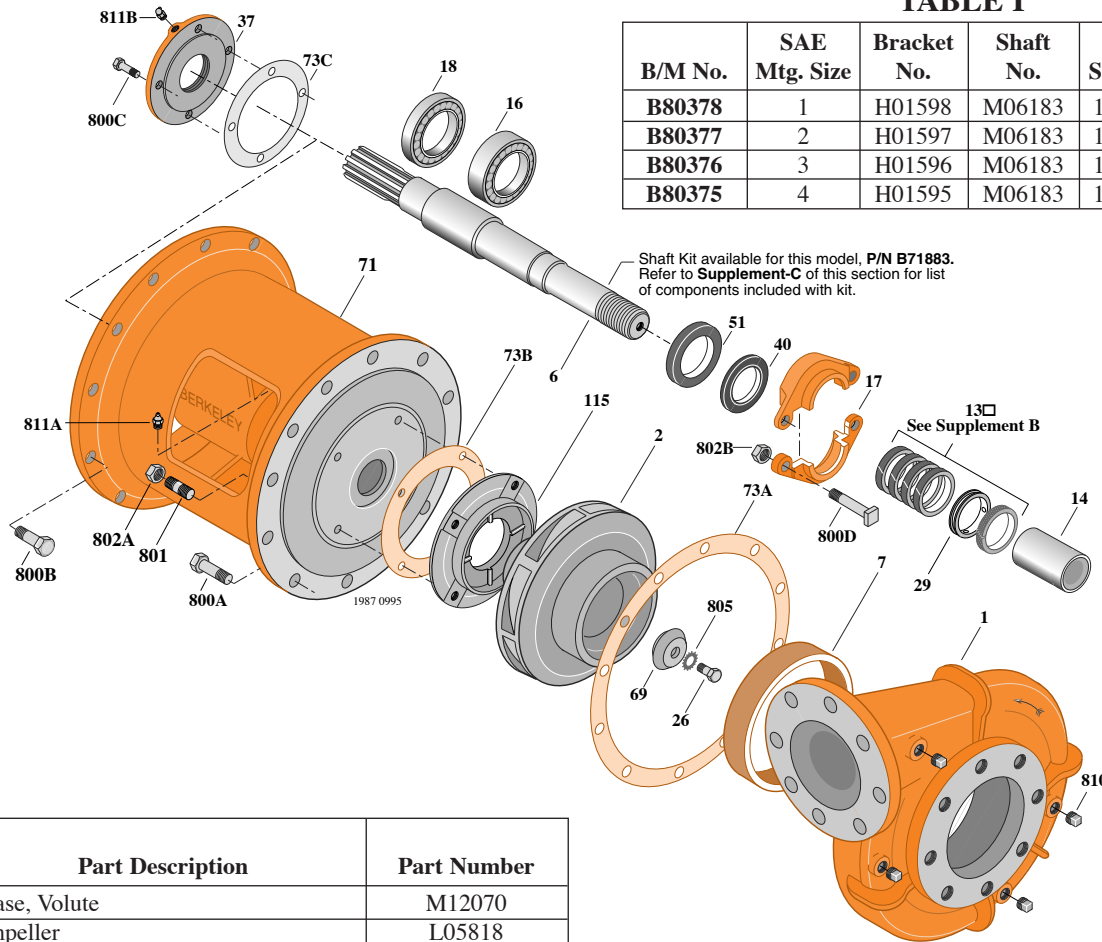


TABLE I

B/M No.	SAE Mtg. Size	Bracket No.	Shaft No.	Shaft Spline No.	Shaft Ext.
B80378	1	H01598	M06183	1-1/2-10T	3"
B80377	2	H01597	M06183	1-1/2-10T	3"
B80376	3	H01596	M06183	1-1/2-10T	3"
B80375	4	H01595	M06183	1-1/2-10T	3"

Item No.	Part Description	Part Number
1	Case, Volute	M12070
2	Impeller	L05818
6	Shaft (See Note)	See Table I
7	Ring, Wearing	S01234
13	Ring, Packing (Set of 4)	S13436
14	Sleeve, Shaft	S05974
16	Bearing, Ball	S13396
17	Gland, Packing	B82472
18	Bearing, Ball	S13395
26	Screw, Impeller 1/2-13x2"	S23627
29	Ring, Lantern	S18993
37	Outer Bearing Cap	M04998
40	Slinger, Water	S10964
51	Seal, Oil	S14765
69	Washer, Impeller	S19275
71	Bracket	See Table I
73A	Gasket, Volute	S06271
73B	Gasket, Balance Ring	S09943
73C	Gasket	S18055
115	Ring, Balance	S12315

Item No.	Part Description	Part Number
800A	Capscrew, Hex 5/8-11x1-1/2" (12 Req.)	S26999
800B	Capscrew, Hex 3/8-16x1-1/4" (12 Req. - SAE 1)	S26872
800B	Capscrew, Hex 3/8-16x1-1/4" (12 Req. - SAE 2, SAE 3, SAE 4)	S26828
800C	Capscrew, Hex 1/4-20x3/4" (4 Req.)	S23119
800D	Bolt, Sq. Head 1/2-13x2-3/4" (2 Req.)	S23794
801	Stud, 3/8-16x1-1/4" (4 Req.)	S23994
802A	Nut, Hex 3/8-16 (4 Req.)	S23103
802B	Nut, Hex 1/2-13x7/16" (2 Req.)	S23347
805	Washer, Lock	S23038
810	Plug, Pipe 1/2 NPT (4 Req.)	S23717
811A	Fitting, Grease	S23670
811B	Fitting, Grease	S23702
•	Fitting, Grease	S23700

• Not illustrated.



TYPE "B" SINGLE STAGE CENTRIFUGAL PUMP SAE Engine Mount

Section	SAE
Page	210.2
Date	January 1, 2004
Supersedes 5/1/97	

CAST IRON IMPELLER

B6JQBMS

Flanged Case

Mechanical Seal Construction

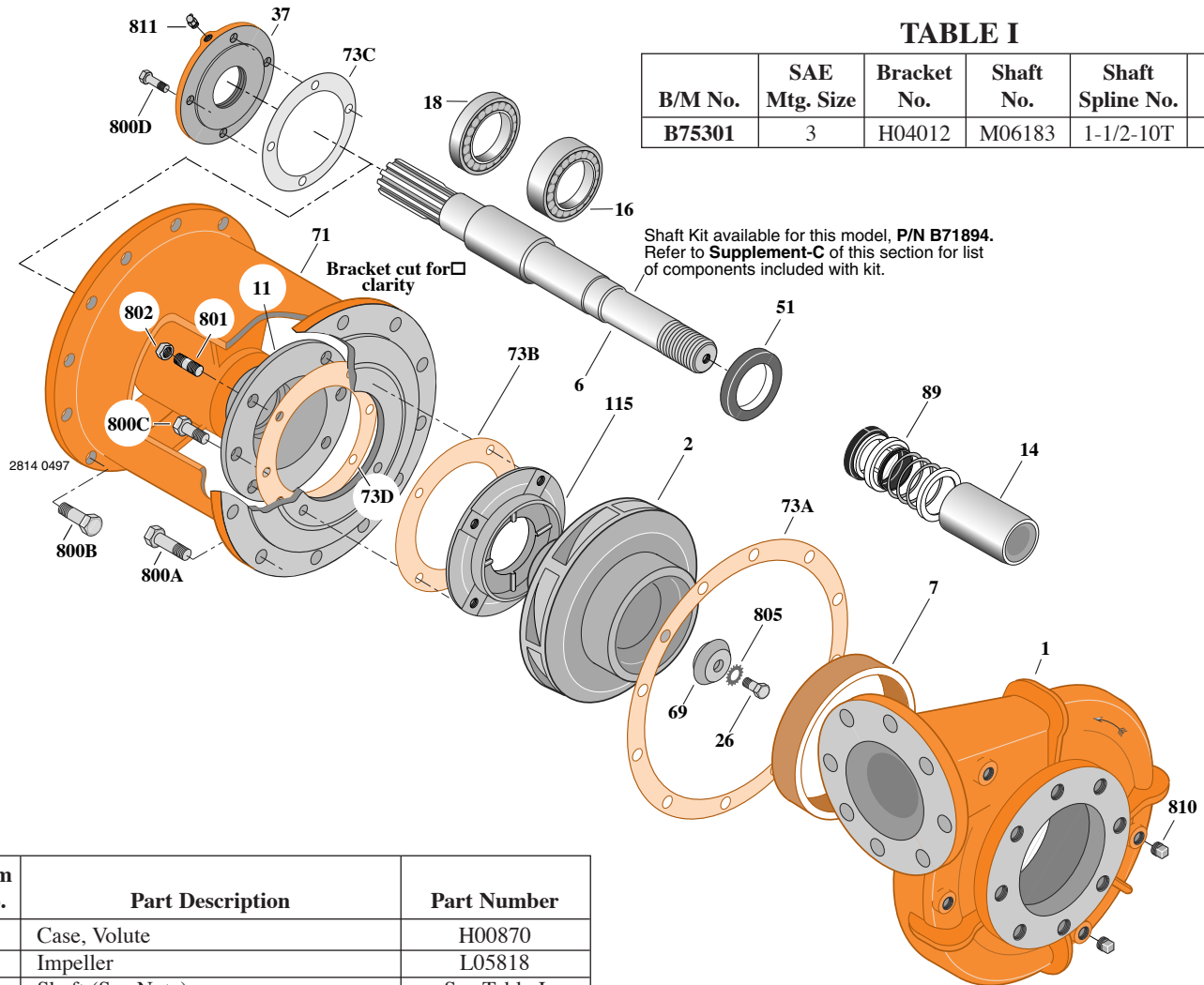


TABLE I

B/M No.	SAE Mtg. Size	Bracket No.	Shaft No.	Shaft Spline No.	Shaft Ext.
B75301	3	H04012	M06183	1-1/2-10T	3"

Shaft Kit available for this model, P/N B71894. Refer to Supplement C of this section for list of components included with kit.

Item No.	Part Description	Part Number
1	Case, Volute	H00870
2	Impeller	L05818
6	Shaft (See Note)	See Table I
7	Ring, Wearing	S01234
11	Retainer, Mechanical Shaft Seal	M07603
14	Sleeve, Shaft	S33429
16	Bearing, Ball	S13396
18	Bearing, Ball	S13395
26	Screw, Impeller 1/2-13x2"	S23627
37	Outer Bearing Cap	M04998
51	Seal, Oil	S14765
69	Washer, Impeller	S19275
71	Bracket	See Table I
73A	Gasket, Volute	S06271
73B	Gasket, Balance Ring	S09943
73C	Gasket	S18055
89	Seal, Mechanical Shaft	S32694
115	Ring, Balance	S12315

Item No.	Part Description	Part Number
800A	Capscrew, Hex 5/8-11x1-1/2" (12 Req.)	S26999
800B	Capscrew, Hex 3/8-16x1-1/4" (12 Req.)	S26828
800C	Capscrew, Hex 3/8-16x5/8" (2 Req.)	S39853
800D	Capscrew, Hex 1/4-20x3/4" (4 Req.)	S23119
801	Stud, 3/8-16x1-1/2" (4 Req.)	S23995
802	Nut, Hex 3/8-16 (4 Req.)	S23103
805	Washer, Lock	S23038
810	Plug, Pipe 1/2 NPT (4 Req.)	S23717
811	Fitting, Grease	S23670
816	Ring, Retaining	S29341
•	Fitting, Grease	S23700

• Not illustrated.



TYPE "B" SINGLE STAGE CENTRIFUGAL PUMP SAE Engine Mount

Section	SAE
Page	210.3
Date	January 1, 2004
Supersedes 9/1/97	

SILICON BRONZE IMPELLER

B6JQBM

Flanged Case

Packing Construction

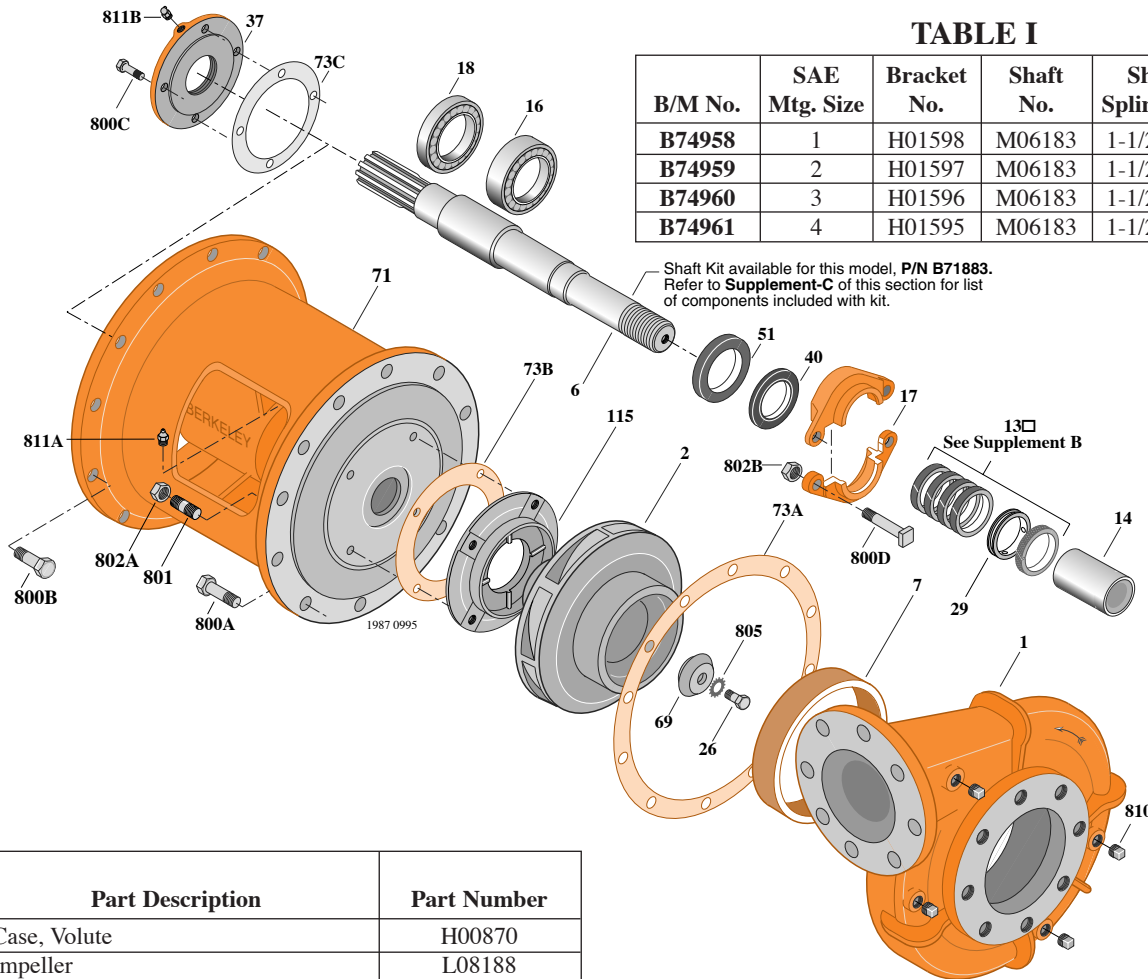


TABLE I

B/M No.	SAE Mtg. Size	Bracket No.	Shaft No.	Shaft Spline No.	Shaft Ext.
B74958	1	H01598	M06183	1-1/2-10T	3"
B74959	2	H01597	M06183	1-1/2-10T	3"
B74960	3	H01596	M06183	1-1/2-10T	3"
B74961	4	H01595	M06183	1-1/2-10T	3"

Shaft Kit available for this model, P/N B71883. Refer to Supplement-C of this section for list of components included with kit.

Item No.	Part Description	Part Number
1	Case, Volute	H00870
2	Impeller	L08188
6	Shaft (See Note)	See Table I
7	Ring, Wearing	S01234
13	Ring, Packing (Set of 4)	S13436
14	Sleeve, Shaft	S05974
16	Bearing, Ball	S13396
17	Gland, Packing	B82472
18	Bearing, Ball	S13395
26	Screw, Impeller 1/2-13x2"	S23627
29	Ring, Lantern	S18993
37	Outer Bearing Cap	M04998
40	Slinger, Water	S10964
51	Seal, Oil	S14765
69	Washer, Impeller	S19275
71	Bracket	See Table I
73A	Gasket, Volute	S06271
73B	Gasket, Balance Ring	S09943
73C	Gasket	S18055
115	Ring, Balance	S12315

Item No.	Part Description	Part Number
800A	Capscrew, Hex 5/8-11x1-1/2" (12 Req.)	S26999
800B	Capscrew, Hex 7/16-14x1-1/4" (12 Req. - SAE 1)	S26872
800B	Capscrew, Hex 3/8-16x1-1/4" (12 Req. - SAE 2, SAE 3, SAE 4)	S26828
800C	Capscrew, Hex 1/4-20x3/4" (4 Req.)	S23119
800D	Bolt, Sq. Head 1/2-13x2-3/4" (2 Req.)	S23794
801	Stud, 3/8-16x1-1/4" (4 Req.)	S23994
802A	Nut, Hex 3/8-16 (4 Req.)	S23103
802B	Nut, Hex 1/2-13 (2 Req.)	S23347
805	Washer, Lock	S23038
810	Plug, Pipe 1/2 NPT (4 Req.)	S23717
811A	Fitting, Grease	S23670
811B	Fitting, Grease	S23702
•	Fitting, Grease	S23700

• Not illustrated.



TYPE "B" SINGLE STAGE CENTRIFUGAL PUMP SAE Engine Mount

Section	SAE
Page	210.4
Date	January 1, 2004
Supercedes/New	

BRONZE IMPELLER

B6JQBM

Flanged Case

Packing Construction

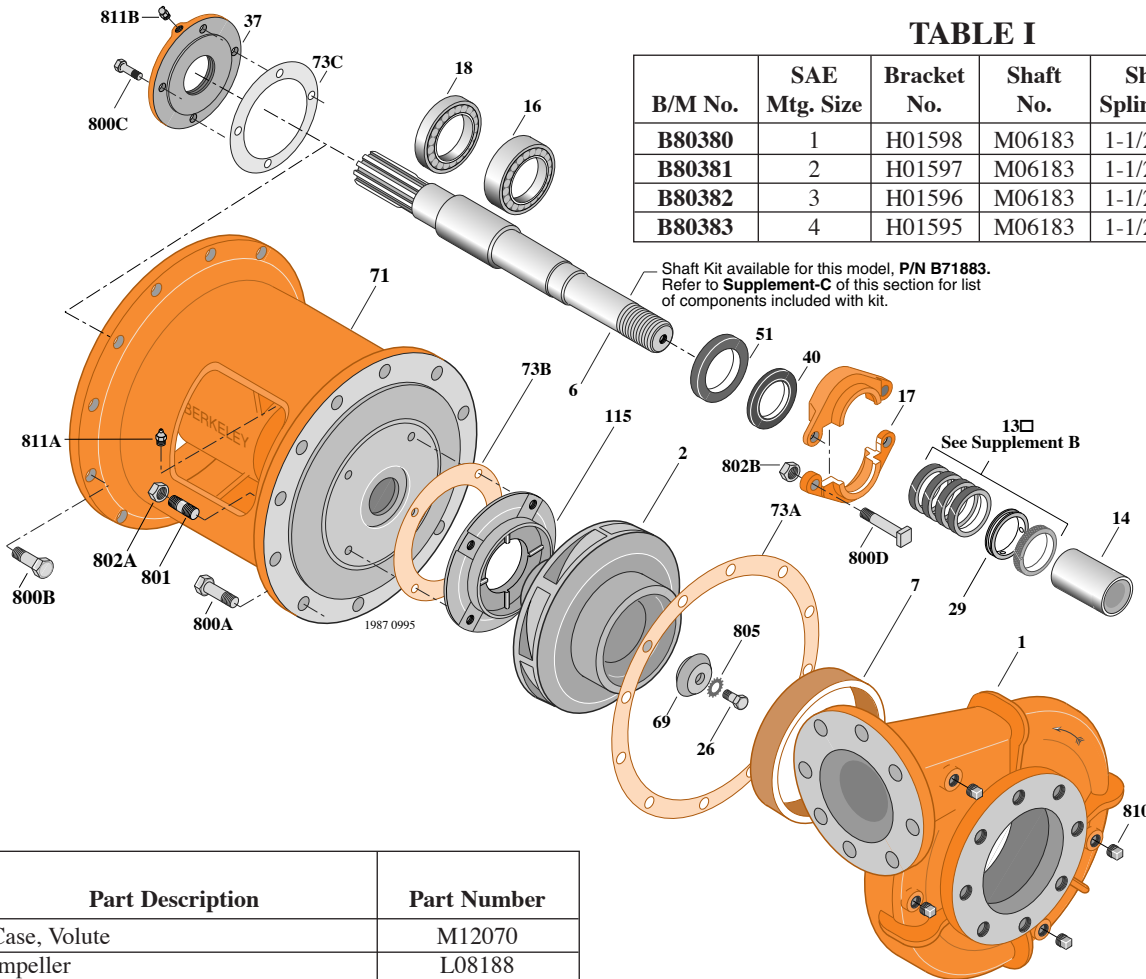


TABLE I

B/M No.	SAE Mtg. Size	Bracket No.	Shaft No.	Shaft Spline No.	Shaft Ext.
B80380	1	H01598	M06183	1-1/2-10T	3"
B80381	2	H01597	M06183	1-1/2-10T	3"
B80382	3	H01596	M06183	1-1/2-10T	3"
B80383	4	H01595	M06183	1-1/2-10T	3"

Shaft Kit available for this model, P/N B71883. Refer to Supplement-C of this section for list of components included with kit.

Item No.	Part Description	Part Number
1	Case, Volute	M12070
2	Impeller	L08188
6	Shaft (See Note)	See Table I
7	Ring, Wearing	S01234
13	Ring, Packing (Set of 4)	S13436
14	Sleeve, Shaft	S05974
16	Bearing, Ball	S13396
17	Gland, Packing	B82472
18	Bearing, Ball	S13395
26	Screw, Impeller 1/2-13x2"	S23627
29	Ring, Lantern	S18993
37	Outer Bearing Cap	M04998
40	Slinger, Water	S10964
51	Seal, Oil	S14765
69	Washer, Impeller	S19275
71	Bracket	See Table I
73A	Gasket, Volute	S06271
73B	Gasket, Balance Ring	S09943
73C	Gasket	S18055
115	Ring, Balance	S12315

Item No.	Part Description	Part Number
800A	Capscrew, Hex 5/8-11x1-1/2" (12 Req.)	S26999
800B	Capscrew, Hex 3/8-16x1-1/4" (12 Req. - SAE 1)	S26872
800B	Capscrew, Hex 3/8-16x1-1/4" (12 Req. - SAE 2, SAE 3, SAE 4)	S26828
800C	Capscrew, Hex 1/4-20x3/4" (4 Req.)	S23119
800D	Bolt, Sq. Head 1/2-13x2-3/4" (2 Req.)	S23794
801	Stud, 3/8-16x1-1/4" (4 Req.)	S23994
802A	Nut, Hex 3/8-16 (4 Req.)	S23103
802B	Nut, Hex 1/2-13x7/16" (2 Req.)	S23347
805	Washer, Lock	S23038
810	Plug, Pipe 1/2 NPT (4 Req.)	S23717
811A	Fitting, Grease	S23670
811B	Fitting, Grease	S23702
•	Fitting, Grease	S23700

• Not illustrated.