



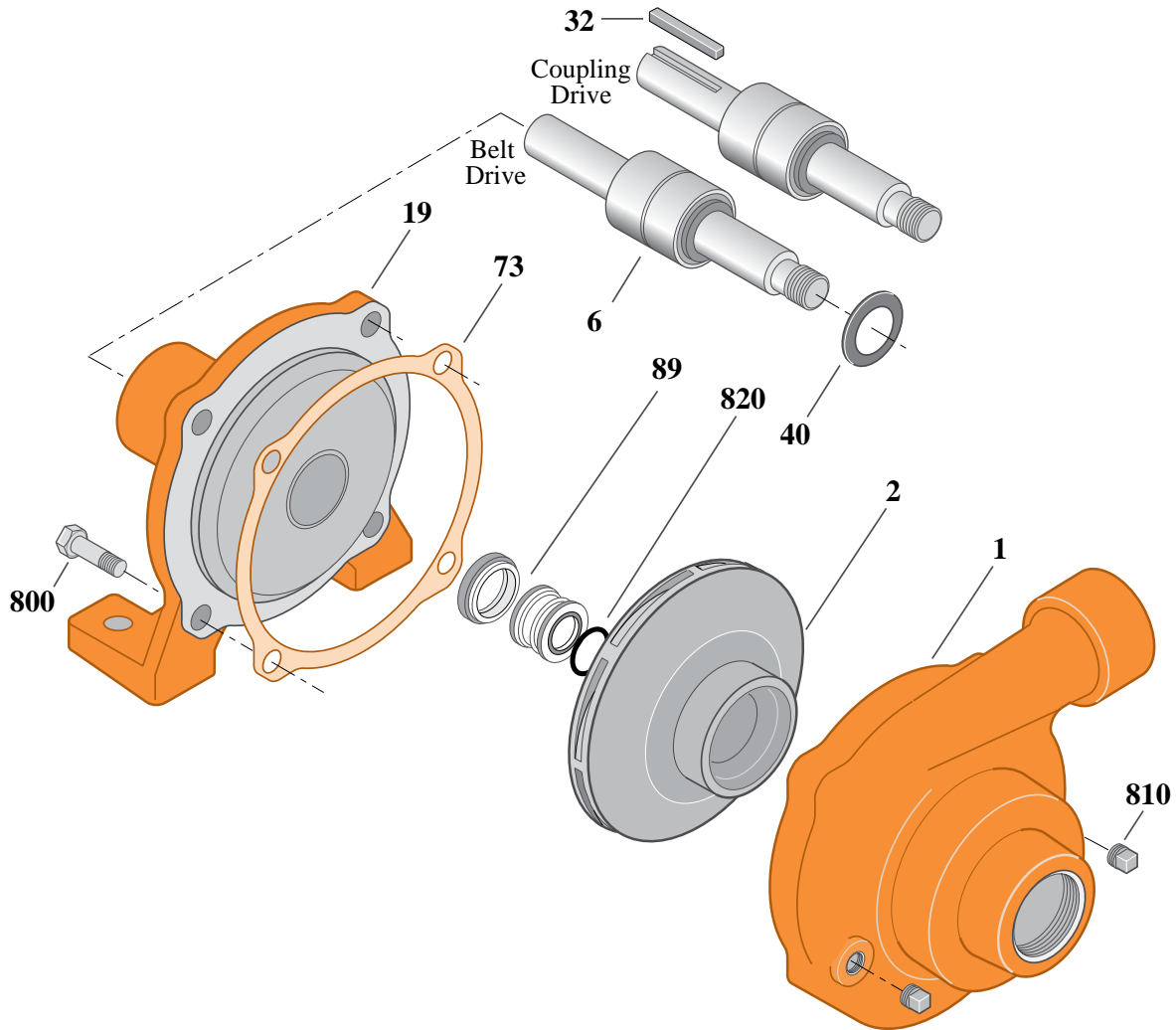
Type "B" Single Stage Centrifugal Pump Belt/Coupling Drive

Section	B/C
Page	10.2
Date	May 1, 2011
Supersedes 1/1/04	

BRONZE IMPELLERB1MRS

Threaded Case (NPT)

Mechanical Shaft Seal Construction



Item	Part Description	Part Number
1	Case, Volute	L01131
2	Impeller	See Table I
6	Shaft Assembly	See Table I
19	Frame	M01856
32	Key, 3/16 x 1"	S24151
40	Slinger, Water	S05222
73	Gasket, Case	S05141
89	Seal, Mechanical Shaft	S05645
800	Capscrew, 3/8-16x3/4" (4 rqd)	S26824
810	Pipe Plug, 1/8" NPT (2 rqd)	S23714
820	O-Ring	111M1640

Table I

B/M No.	Drive Type	Shaft No.	Impeller	Imp. Diameter.
B76019	Coupling - CCW	S30819	M11261	4.50



TYPE "B" SINGLE STAGE CENTRIFUGAL PUMP Belt/Coupling Drive

Section	B/C
Page	10.2
Date	January 1, 2004
Supersedes/New	

BRONZE IMPELLER

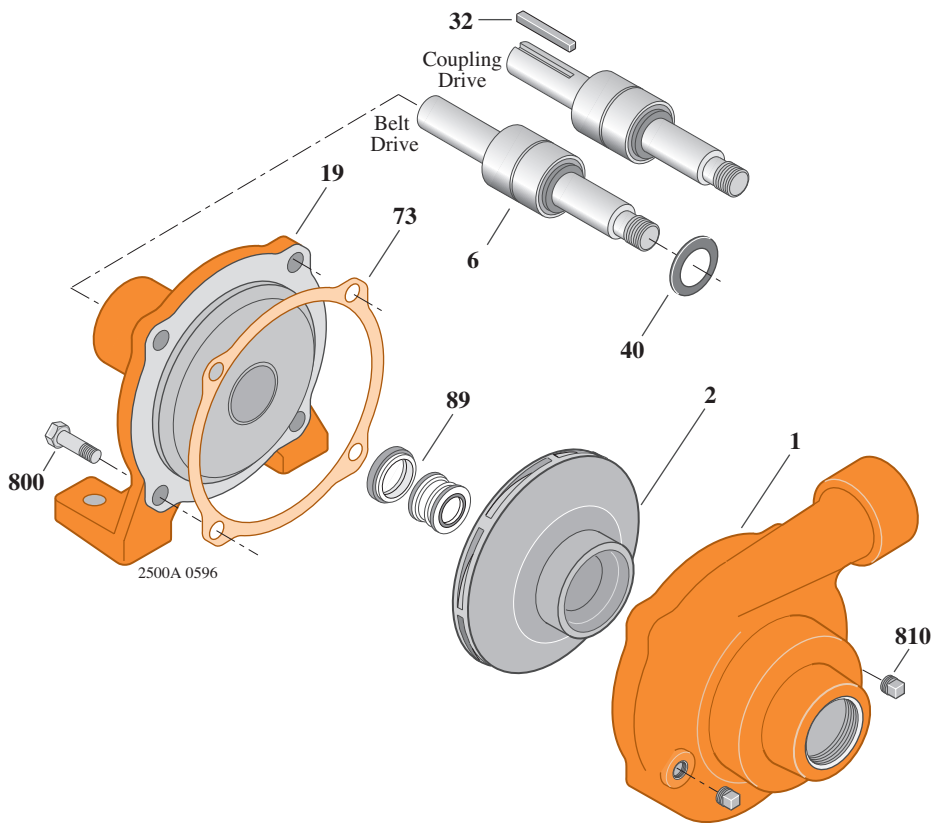
B1MRS

Threaded Case (NPT)

Mechanical Seal Construction

TABLE I

B/M No.	Drive Type	Shaft No.	Impeller	Impeller Diameter
B76019	Coupling - CCW	S30819	M11261	4.50"



Item No.	Part Description	Part Number
1	Case, Volute	L01131
2	Impeller	See Table I
6	Shaft Assembly	See Table I
19	Frame	M01856
40	Slinger, Water	S05222
32	Key, 3/16 x 1"	S24151
73	Gasket, Case	S05141
89	Seal, Mechanical Shaft	S05645
800	Capscrew, 3/8-16x3/4" (4 Req.)	S26824
810	Pipe Plug, 1/8" NPT (2 Req.)	S23714



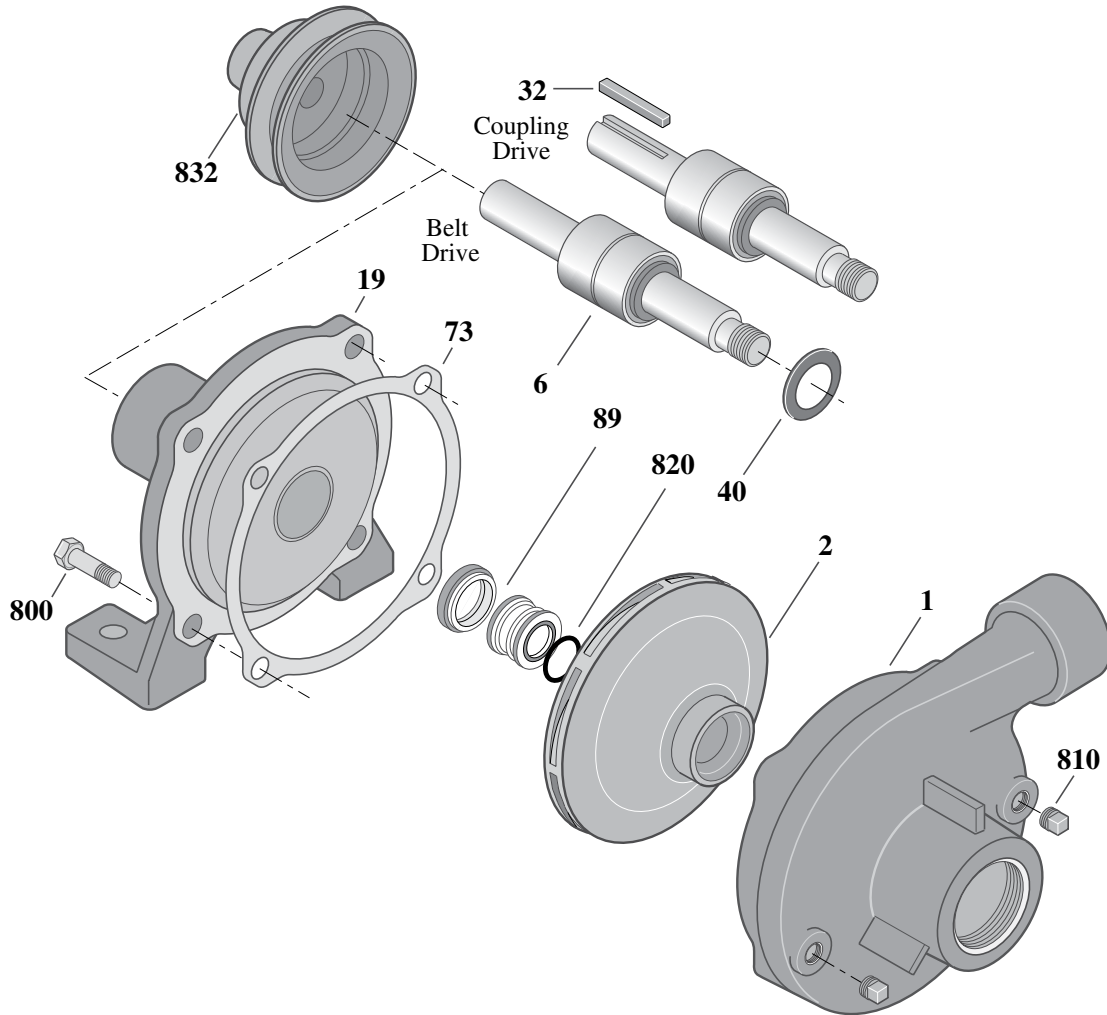
Type "B" Single Stage Centrifugal Pump Belt/Coupling Drive

Section	B/C
Page	20.1
Date	May 1, 2011
Supersedes 1/1/04	

BRONZE IMPELLERB1XRS

Threaded Case (NPT)

Mechanical Shaft Seal Construction



Item	Part Description	Part Number
1	Case, Volute	M01842
2	Impeller	See Table I
6	Shaft Assembly	See Table I
19	Frame	M01856
32	Key, 3/16 x 1"	S24151
40	Slinger, Water	S05222
73	Gasket, Case	S05141
89	Seal, Mechanical Shaft	S05645
800	Capscrew, 3/8-16x3/4" (4 rqd)	S26824
810	Pipe Plug, 1/8" NPT (2 rqd)	S23714
820	O-Ring	111M1640
832	Sheave	S05270

Table I

B/M No.	Drive Type	Shaft No.	Impeller	Imp. Diameter.
B56414	Coupling - CCW	S30819	M01868	5.31
B01784	Belt - CCW	S08164	M01868	5.31



TYPE "B" SINGLE STAGE CENTRIFUGAL PUMP Belt/Coupling Drive

Section	B/C
Page	30.1
Date	January 1, 2004
Supersedes 6/1/96	

CAST IRON IMPELLER

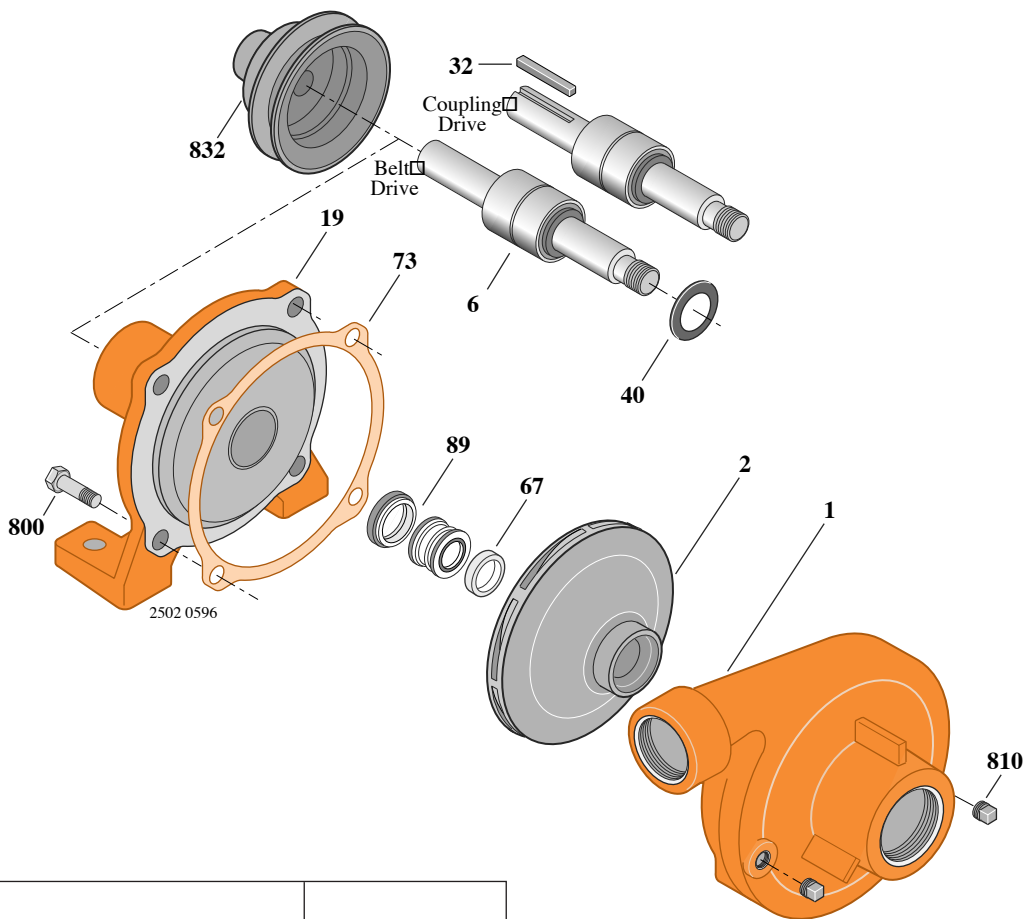
B1XRMS

Threaded Case (NPT)

Mechanical Seal Construction

TABLE I

B/M No.	Drive Type	Shaft No.	Impeller	Impeller Diameter
B56415	Coupling - CW	S16578	M05909	5.00"
B07005	Belt - CW	S06397	M05909	5.00"



Item No.	Part Description	Part Number
1	Case, Volute	M06154
2	Impeller	See Table I
6	Shaft Assembly	See Table I
19	Frame	M01856
32	Key, 3/16 x 1"	S24151
40	Slinger, Water	S05222
67	Spacer, Impeller	S17323
73	Gasket, Case	S05141
89	Seal, Mechanical Shaft	S05645
800	Capscrew, 3/8-16x3/4" (4 Req.)	S26824
810	Pipe Plug, 1/8" NPT (2 Req.)	S23714
832	Sheave	S05270



TYPE "B" SINGLE STAGE CENTRIFUGAL PUMP Belt/Coupling Drive

Section	B/C
Page	30.2
Date	January 1, 2004
Supersedes/New	

BRONZE IMPELLER

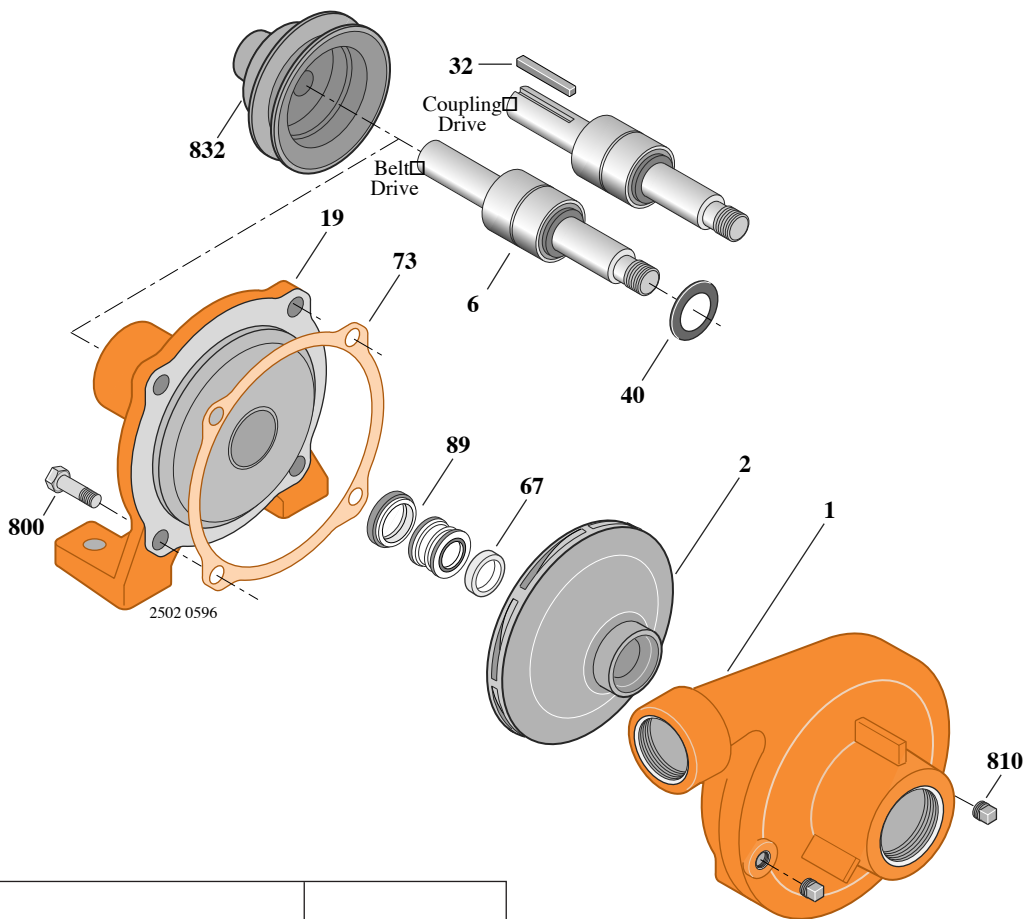
B1XRMS

Threaded Case (NPT)

Mechanical Seal Construction

TABLE I

B/M No.	Drive Type	Shaft No.	Impeller	Impeller Diameter
B56415S	Coupling - CW	S16578	H05539	5.00"
B07005S	Belt - CW	S06397	H05539	5.00"



Item No.	Part Description	Part Number
1	Case, Volute	M06154
2	Impeller	See Table I
6	Shaft Assembly	See Table I
19	Frame	M01856
32	Key, 3/16 x 1"	S24151
40	Slinger, Water	S05222
67	Spacer, Impeller	S17323
73	Gasket, Case	S05141
89	Seal, Mechanical Shaft	S05645
800	Capscrew, 3/8-16x3/4" (4 Req.)	S26824
810	Pipe Plug, 1/8" NPT (2 Req.)	S23714
832	Sheave	S05270



TYPE "B" SINGLE STAGE CENTRIFUGAL PUMP Belt/Coupling Drive

Section	B/C
Page	40.1
Date	January 1, 2004
Supersedes 6/1/96	

CAST IRON IMPELLER

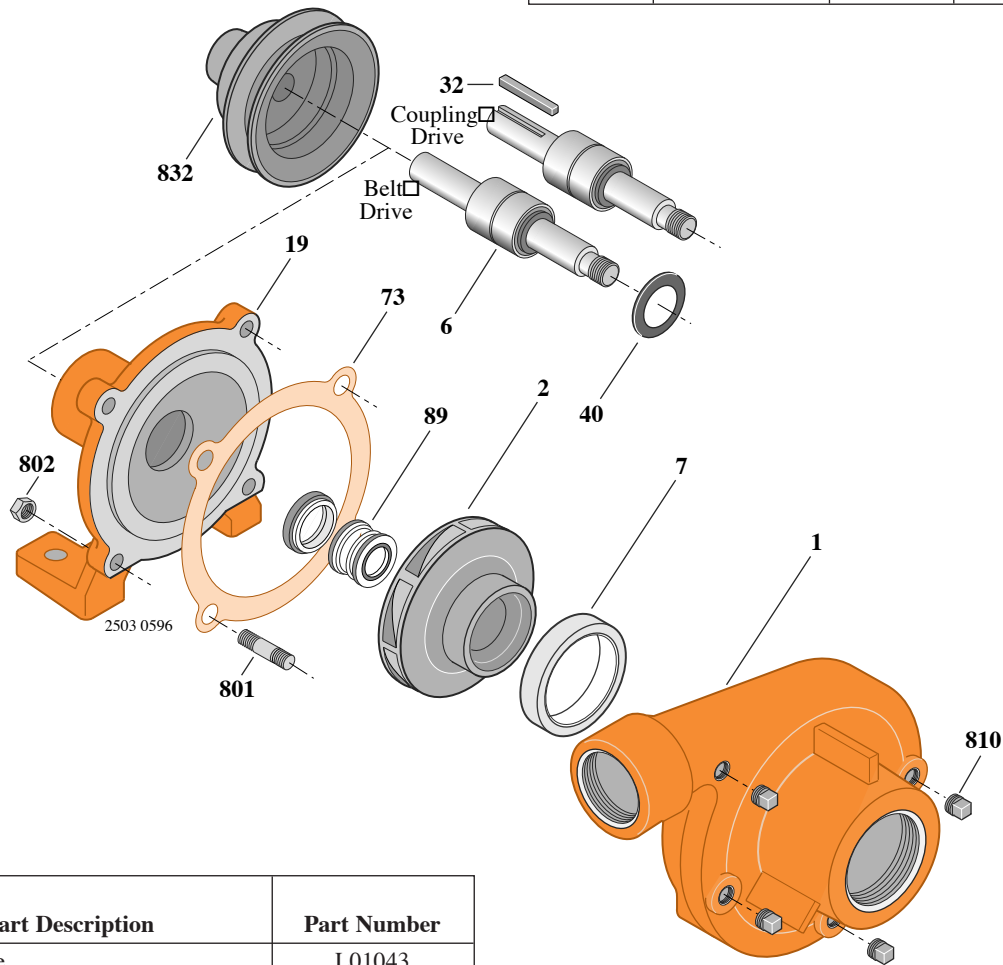
B1-1/2MRS

Threaded Case (NPT)

Mechanical Seal Construction

TABLE I

B/M No.	Drive Type	Shaft No.	Impeller	Impeller Diameter
B56416	Coupling - CW	S16578	M01039	4.00"
B02482	Belt - CW	S06397	M01039	4.00"



Item No.	Part Description	Part Number
1	Case, Volute	L01043
2	Impeller	See Table I
6	Shaft Assembly	See Table I
7	Wear Ring	S03074
19	Frame	M02638
32	Key, 3/16 x 1"	S24151
40	Slinger, Water	S05222
73	Gasket, Case	S04728
89	Seal, Mechanical Shaft	S05645
801	Stud, 3/8-16x1-3/4" (4 Req.)	S23996
802	Nut, Hex 3/8-16 (4 Req.)	S23103
810	Pipe Plug, 1/8" NPT (3 Req.)	S23714
832	Sheave	S05375



TYPE "B" SINGLE STAGE CENTRIFUGAL PUMP Belt/Coupling Drive

Section	B/C
Page	50.1
Date	January 1, 2004
Supersedes 6/1/96	

CAST IRON IMPELLER

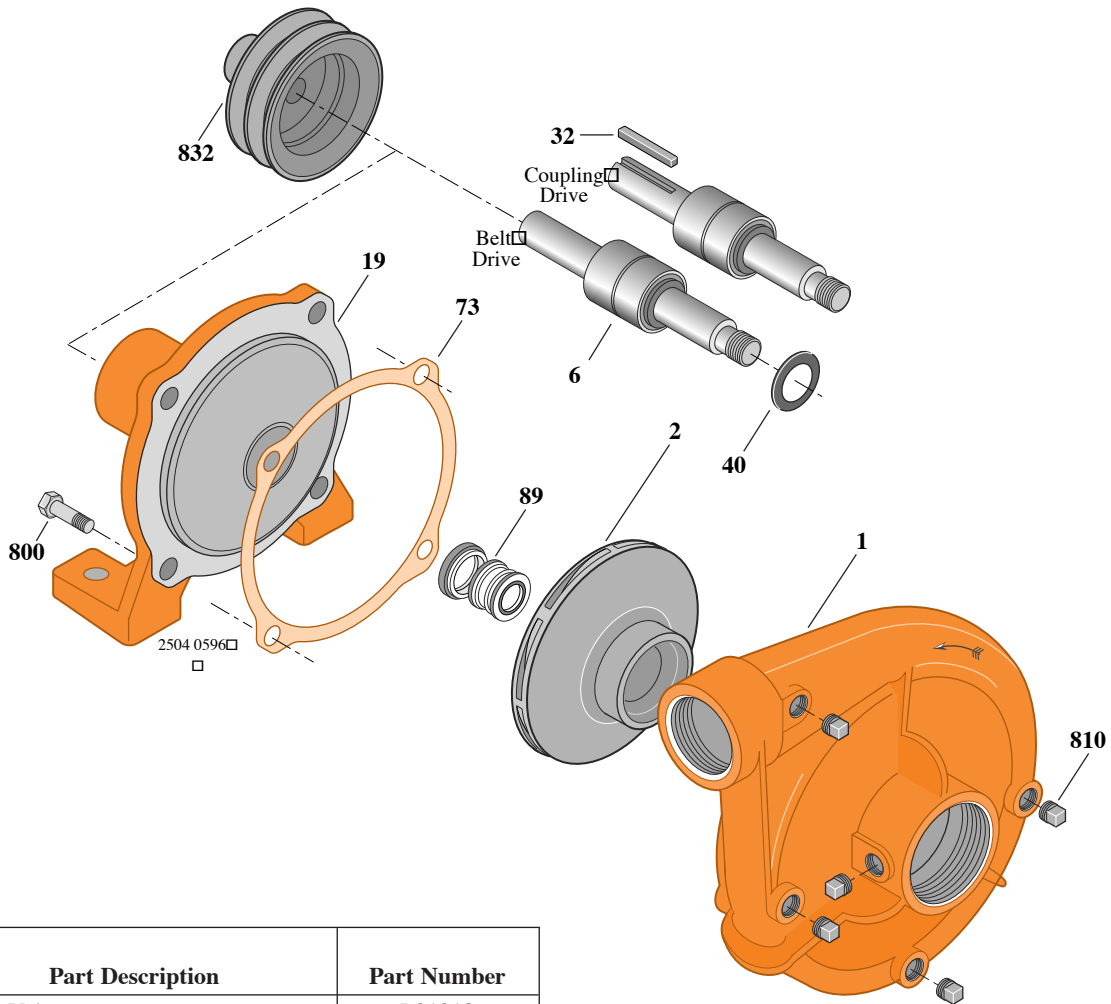
B1-1/2TRLS

Threaded Case (NPT)

Mechanical Seal Construction

TABLE I

B/M No.	Drive Type	Shaft No.	Impeller	Impeller Diameter
B56417	Coupling - CW	S17858	S07368	6.50"
B03539	Belt - CW	S06402	S07368	6.50"



Item No.	Part Description	Part Number
1	Case, Volute	L01018
2	Impeller	See Table I
6	Shaft Assembly	See Table I
19	Frame	L01530
32	Key, 3/16 x 1"	S24151
40	Slinger, Water	S21906
73	Gasket, Case	S04757
89	Seal, Mechanical Shaft	S06405
800	Capscrew, 1/2-13x1" (4 Req.)	S26912
810	Pipe Plug, 1/4" NPT (5 Req.)	S23715
832	Sheave	S06407



TYPE "B" SINGLE STAGE CENTRIFUGAL PUMP Belt/Coupling Drive

Section	B/C
Page	50.2
Date	January 1, 2004
Supersedes/New	

BRONZE IMPELLER

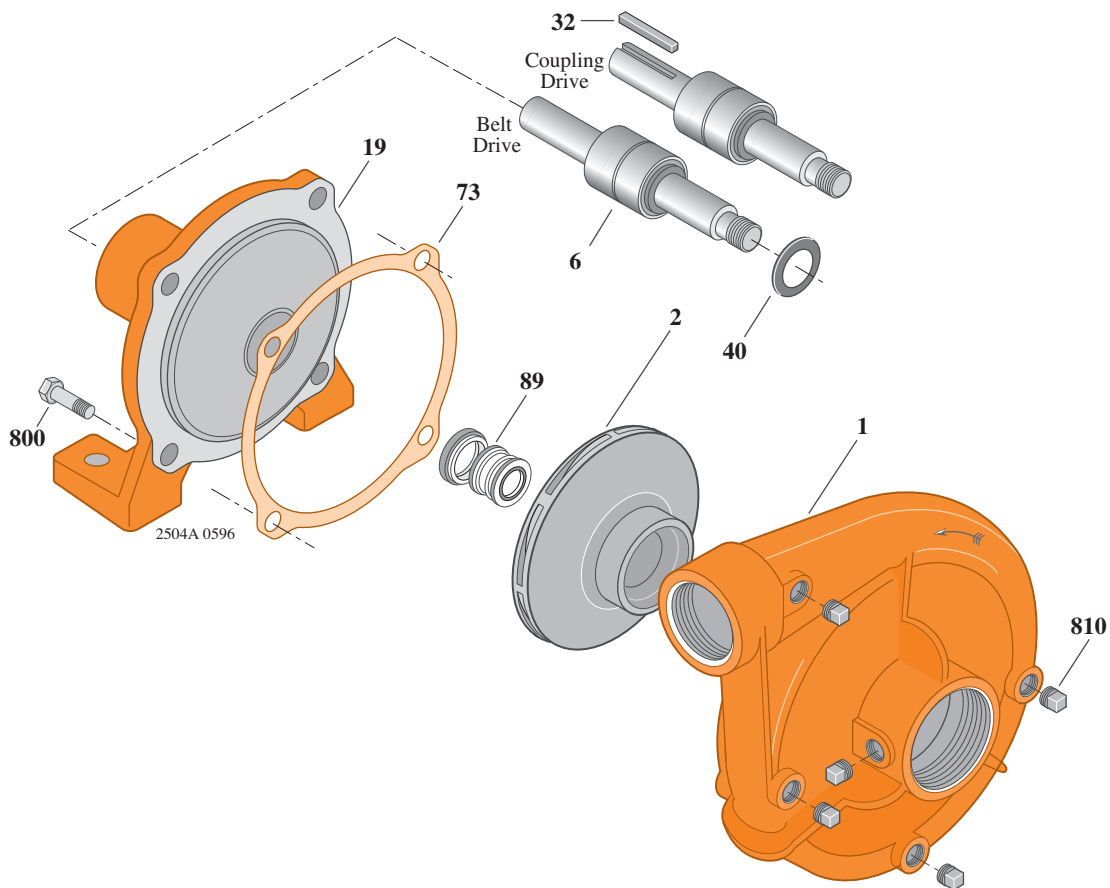
B1-1/2TRLS

Threaded Case (NPT)

Mechanical Seal Construction

TABLE I

B/M No.	Drive Type	Shaft No.	Impeller	Impeller Diameter
B74361	Coupling - CW	S17858	L08149	6.50"



Item No.	Part Description	Part Number
1	Case, Volute	L01018
2	Impeller	See Table I
6	Shaft Assembly	See Table I
19	Frame	L01530
32	Key, 3/16 x 1"	S24151
40	Slinger, Water	S21906
73	Gasket, Case	S04757
89	Seal, Mechanical Shaft	S06405
800	Capscrew, 1/2-13x1" (4 Req.)	S26912
810	Pipe Plug, 1/4" NPT (5 Req.)	S23715



TYPE "B" SINGLE STAGE CENTRIFUGAL PUMP Belt/Coupling Drive

Section	B/C
Page	60.1
Date	January 1, 2004
Supersedes 6/1/96	

CAST IRON IMPELLER

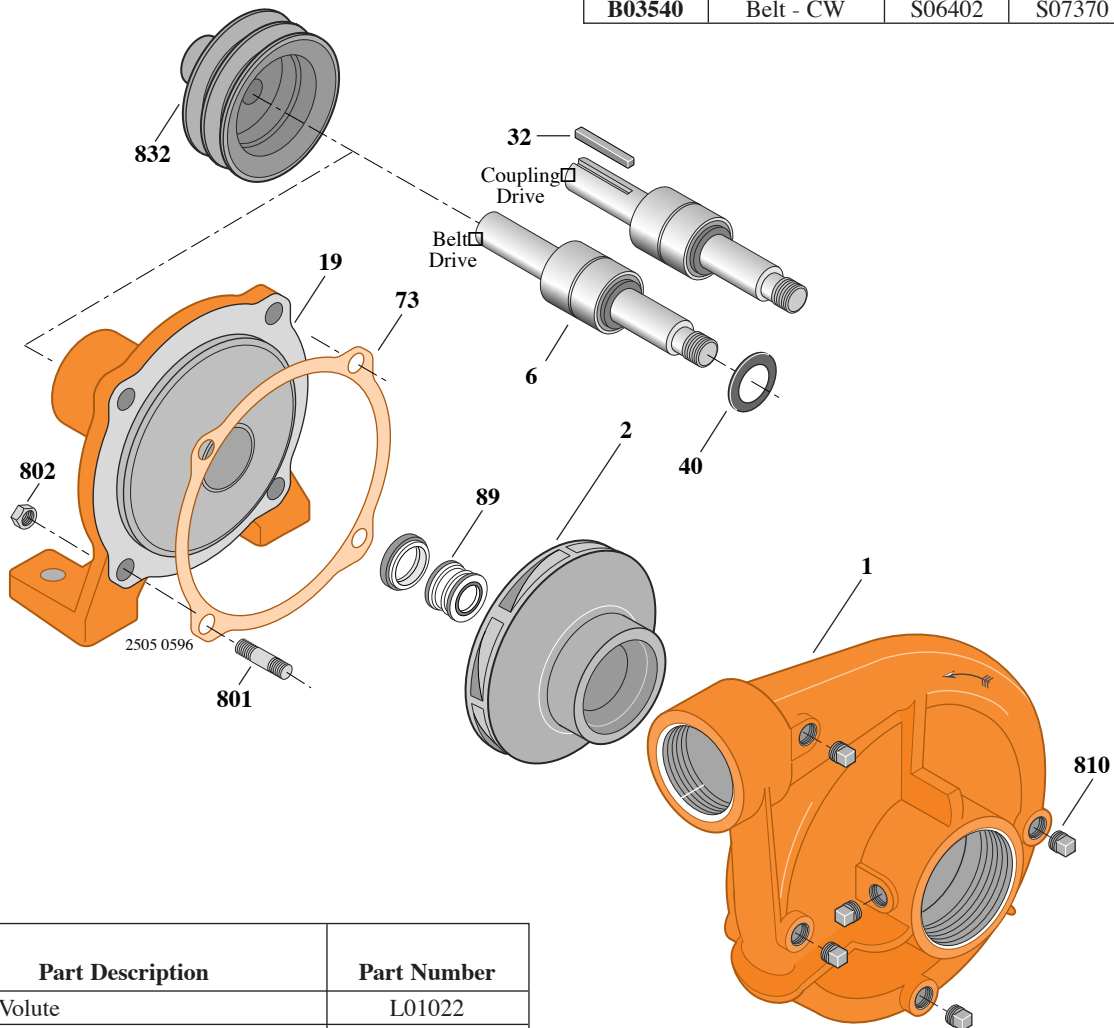
B2TRMS

Threaded Case (NPT)

Mechanical Seal Construction

TABLE I

B/M No.	Drive Type	Shaft No.	Impeller	Impeller Diameter
B56418	Coupling - CW	S17858	S07370	6.50"
B03540	Belt - CW	S06402	S07370	6.50"



Item No.	Part Description	Part Number
1	Case, Volute	L01022
2	Impeller	See Table I
6	Shaft Assembly	See Table I
19	Frame	L01530
32	Key, 3/16 x 1"	S24151
40	Slinger, Water	S21906
73	Gasket, Case	S04757
89	Seal, Mechanical Shaft	S06405
801	Stud, 1/2-16 (4 Req.)	S24043
802	Nut, Hex 1/2-13 (4 Req.)	S23107
810	Pipe Plug, 1/4" NPT (5 Req.)	S23715
832	Sheave	S06407



TYPE "B" SINGLE STAGE CENTRIFUGAL PUMP Belt/Coupling Drive

Section	B/C
Page	70.1
Date	January 1, 2004
Supersedes 6/1/96	

CAST IRON IMPELLER

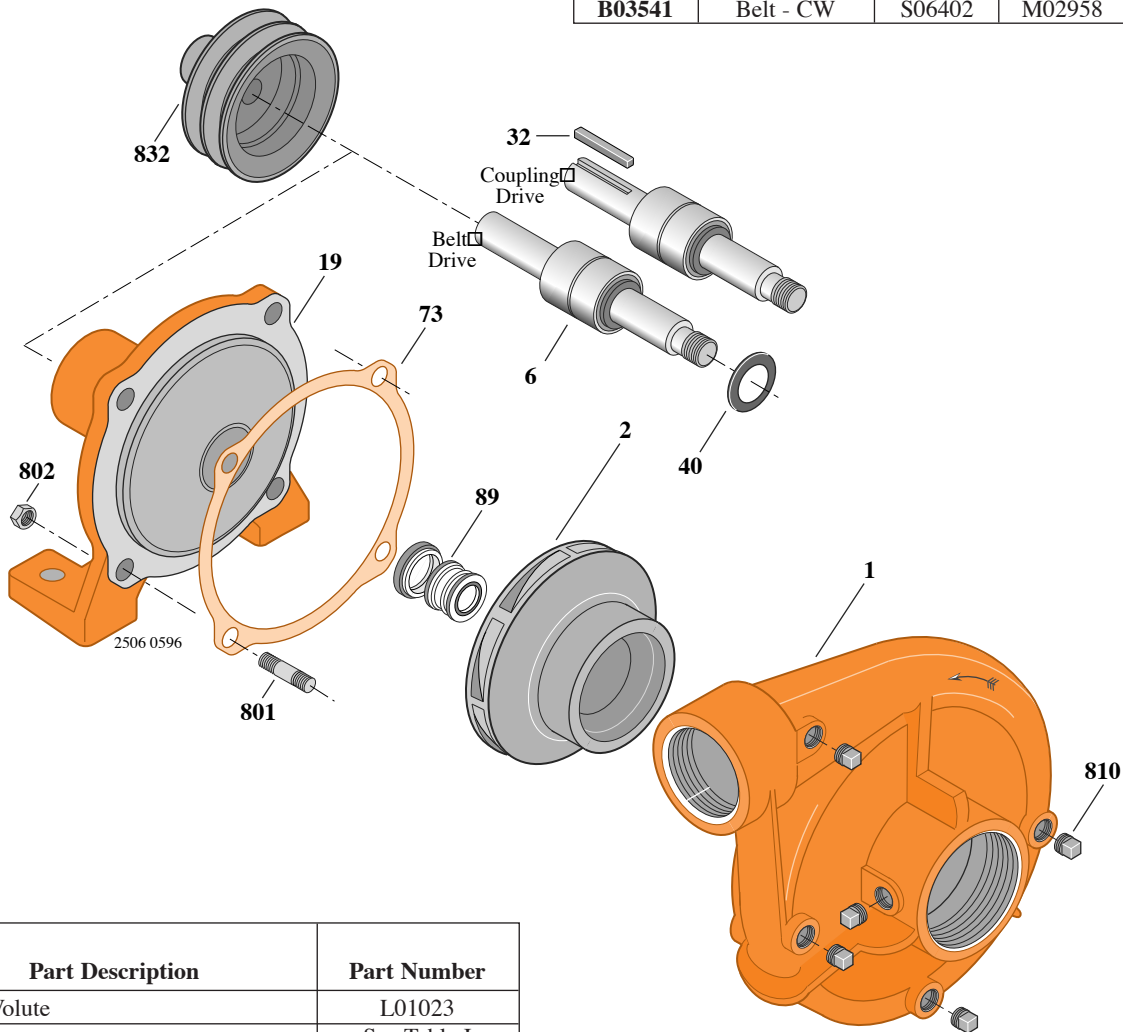
B2-1/2TRMS

Threaded Case (NPT)

Mechanical Seal Construction

TABLE I

B/M No.	Drive Type	Shaft No.	Impeller	Impeller Diameter
B56419	Coupling - CW	S17858	M02958	6.50"
B03541	Belt - CW	S06402	M02958	6.50"



Item No.	Part Description	Part Number
1	Case, Volute	L01023
2	Impeller	See Table I
6	Shaft Assembly	See Table I
19	Frame	L01530
32	Key, 3/16 x 1"	S24151
40	Slinger, Water	S21906
73	Gasket, Case	S04757
89	Seal, Mechanical Shaft	S06405
801	Stud, 1/2-13x1-1/2" (4 Req.)	S24043
802	Nut, Hex 1/2-13 (4 Req.)	S23107
810	Pipe Plug, 1/4" NPT (5 Req.)	S23715
832	Sheave	S06407



TYPE "B" SINGLE STAGE CENTRIFUGAL PUMP Belt/Coupling Drive

Section	B/C
Page	80.1
Date	January 1, 2004
Supersedes 6/1/96	

CAST IRON IMPELLER

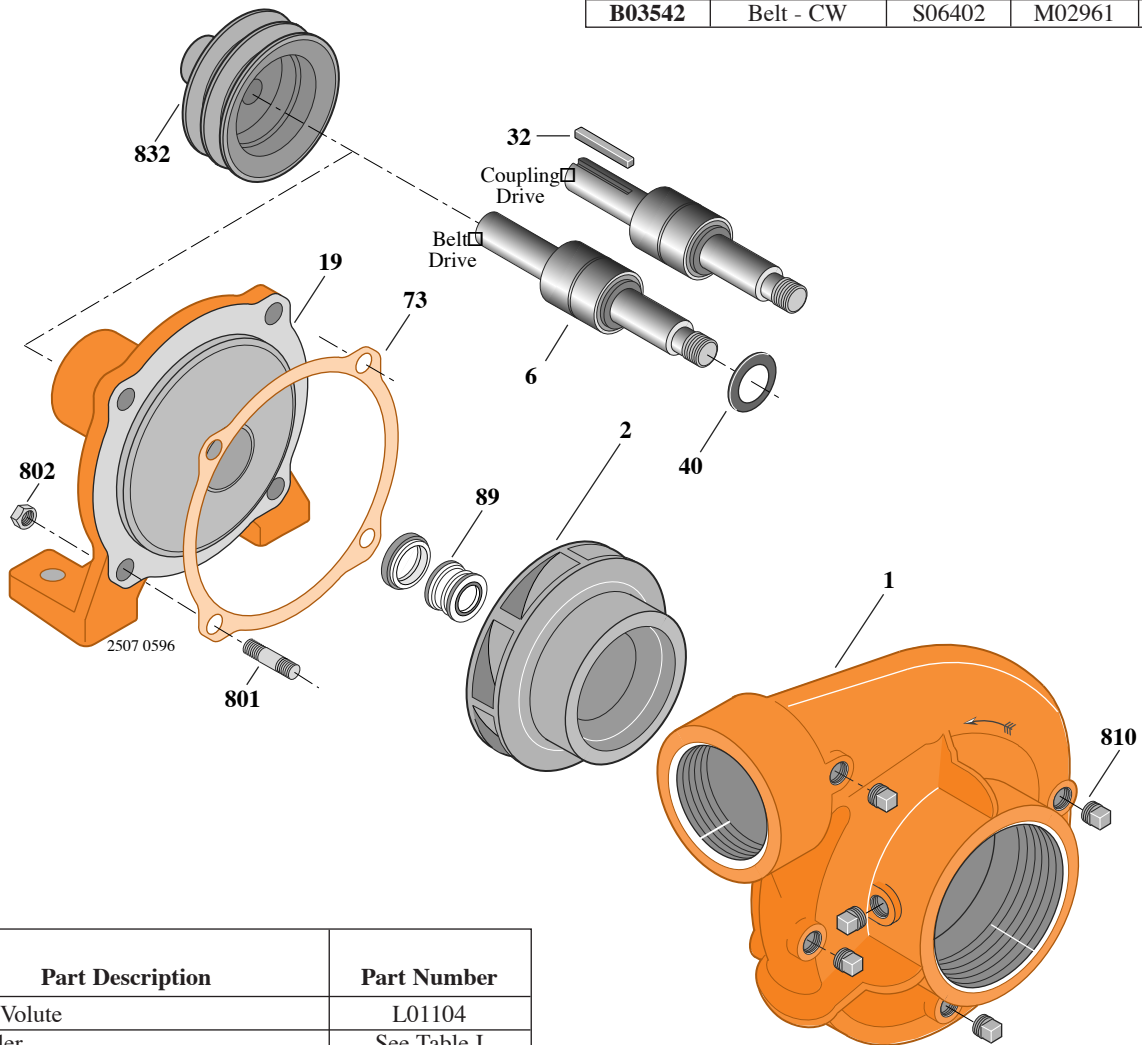
B3TRMS

Threaded Case (NPT)

Mechanical Seal Construction

TABLE I

B/M No.	Drive Type	Shaft No.	Impeller	Impeller Diameter
B56420	Coupling - CW	S17858	M02961	6.50"
B03542	Belt - CW	S06402	M02961	6.50"



Item No.	Part Description	Part Number
1	Case, Volute	L01104
2	Impeller	See Table I
6	Shaft Assembly	See Table I
19	Frame	L01530
32	Key, 3/16 x 1"	S24151
40	Slinger, Water	S21906
73	Gasket, Case	S04757
89	Seal, Mechanical Shaft	S06405
801	Stud, 1/2-13 (4 Req.)	S24043
802	Nut, Hex 1/2-13 (4 Req.)	S23107
810	Pipe Plug, 1/4" NPT (5 Req.)	S23715
832	Sheave	S06407

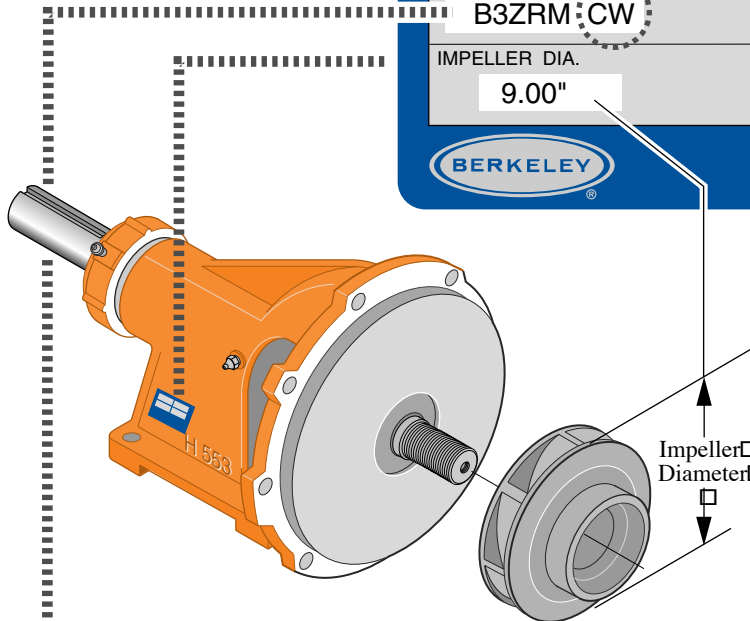
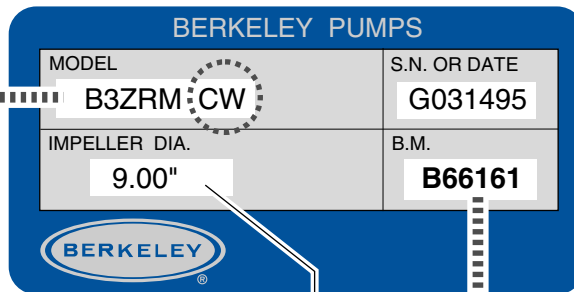


TYPE "B" SINGLE STAGE CENTRIFUGAL PUMP Bearing Frame Mount

Section	FM
Supplement	A
Date	January 1, 2004
Supersedes 12/1/95	

Mechanical Shaft Seal Construction Packing Construction

SAMPLE ONLY



ORDERING INFORMATION

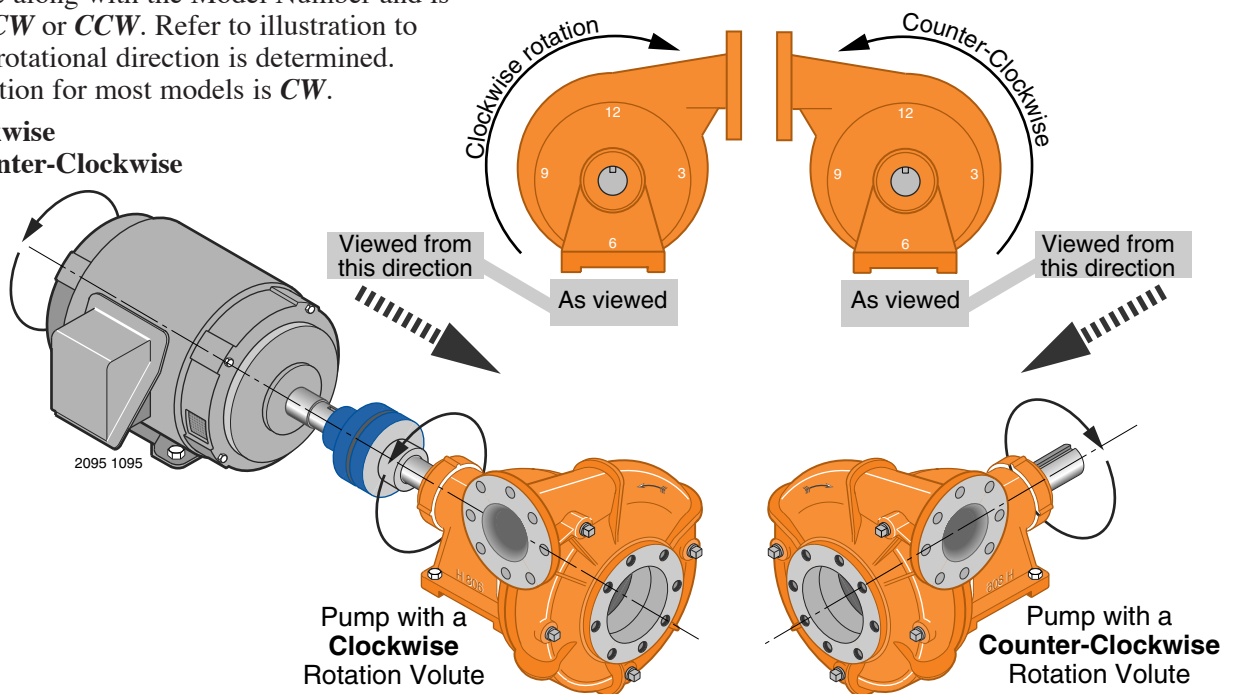
Locate the Berkeley nameplate on the pump which is normally on the motor bracket as shown. Provide all nameplate data when ordering to be sure of receiving correct parts. The **BM (Bill of Material)** number, also known as the catalog number, is most important when calling in for repair instructions, or when ordering replacement parts.

PUMP ROTATION

Pump operational rotation is sometimes stamped on the nameplate along with the Model Number and is indicated as *CW* or *CCW*. Refer to illustration to see how this rotational direction is determined. Standard rotation for most models is *CW*.

CW – Clockwise

CCW – Counter-Clockwise

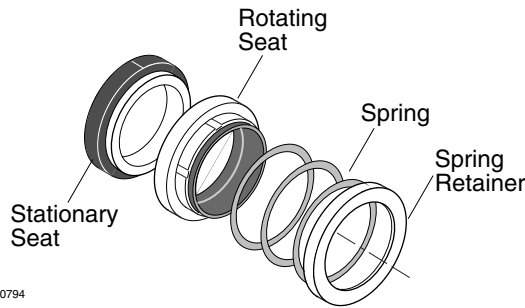




TYPE "B" SINGLE STAGE CENTRIFUGAL PUMP Bearing Frame Mount

Section	FM
Supplement	B
Date	January 1, 2004
Supersedes 12/1/95	

MECHANICAL SEAL CONSTRUCTION



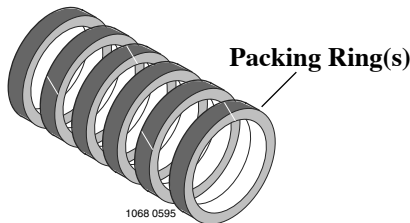
1189 0794

Typical Mechanical Seal

Standard Mechanical Seal/ Shaft Sleeve Combinations

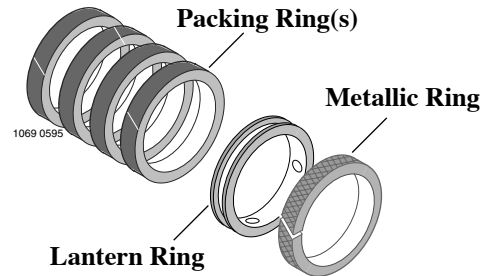
SEAL		SLEEVE	
P/N	Description	P/N	Description
S32690	1-1/8" Type 21 Short	S39242	7/8" I.D. x 1-1/8" O.D.
S32689	1-1/8" Type 21 Long	S05127	7/8" I.D. x 1-1/8" O.D.
S32693	1-7/8" Type 21 Long	S05974	1-1/2" I.D. x 1-7/8" O.D.

PACKING CONSTRUCTION



1068 0595

Typical Packing Set - Soft Rings Only



1069 0595

**Typical Packing Set With Soft Rings,
Lantern Ring, and Hard (Metallic) Ring**

Standard Packing Sets Shown on Repair Parts Sheets

Packing Set P/N	No. of Soft Rings	Metallic Ring	Ring I.D.	Ring O.D.	Cross Section	Shaft Sleeve
S14022	6	None	1-1/8"	1-5/8"	1/4"	S05127
S13436	4	S13434	1-7/8"	2-5/8"	3/8"	S05974
S16448	5	S14327	2-3/4"	3-3/4"	1/2"	S14329

NOTE: Part numbers given on repair parts sheets for packing rings reflects complete set of soft rings required for each model. Some models also require a hard (metallic) ring that is installed as shown above. Hard ring comes as part of the set, when required, and is in *addition* to the soft ring count shown (set of 5, set of 6, etc.). Metallic part number shown for reference only. Lantern Ring (item #29) is sold separately.



TYPE "B" SINGLE STAGE CENTRIFUGAL PUMP Bearing Frame Mount

Section	FM
Supplement	D1
Date	January 1, 2004
Supersedes 12/1/95	

COMPANION FLANGE KITS

3" NPT x 7-1/2" O.D.

Key	Part Description	Part No.
73	Gasket	S10364
800	Capscrew, 5/8 - 11 x 2-1/2" (4 Req.)	S27004
802	Nut, Hex 5/8 - 11 (4 Req.)	S23109
850	Flange, Companion, 125 lb.	S11788

B60129

4" NPT x 9" O.D.

Key	Part Description	Part No.
73	Gasket	S10366
800	Capscrew, 5/8 - 11 x 2-1/2" (8 Req.)	S27005
802	Nut, Hex 5/8 - 11 (8 Req.)	S23109
850	Flange, Companion, 125 lb.	S11790

B59870

4" NPT x 9" O.D.

Key	Part Description	Part No.
73	Gasket	S10366
800	Capscrew, 5/8 - 11 x 1-5/8" (8 Req.)	S27000
850	Flange, Companion, 125 lb.	S11790

B74303

5" NPT x 10" O.D.

Key	Part Description	Part No.
73	Gasket	S10367
800	Capscrew, 3/4 - 10 x 3" (8 Req.)	S27333
802	Nut, Hex 3/4 - 10 (8 Req.)	S23111
850	Flange, Companion, 125 lb.	S11791

B59871

6" NPT x 11" O.D.

Key	Part Description	Part No.
73	Gasket	S10368
800	Capscrew, 3/4 - 10 x 3" (8 Req.)	S27333
802	Nut, Hex 3/4 - 10 (8 Req.)	S23111
850	Flange, Companion, 125 lb.	S11792

B59872



TYPE "B" SINGLE STAGE CENTRIFUGAL PUMP Bearing Frame Mount

Section	FM
Supplement	D2
Date	January 1, 2004
Supersedes 12/1/95	

COMPANION FLANGE KITS

8" NPT x 13-1/2" O.D.

Key	Part Description	Part No.
73	Gasket	S10369
800	Capscrew, 3/4 - 10 x 2-3/4" (8 Req.)	S27332
802	Nut, Hex 3/4 - 10 (8 Req.)	S23111
850	Flange, Companion, 125 lb.	S11793

B59873

10" NPT x 16" O.D.

Key	Part Description	Part No.
73	Gasket	S10370
800	Capscrew, 7/8 - 9 x 3" (12 Req.)	S23307
802	Nut, Hex 7/8 - 9 (12 Req.)	S23113
850	Flange, Companion, 125 lb.	S11794

B59874

5" NPT x 10" O.D.

Key	Part Description	Part No.
73	Gasket	S10367
800	Capscrew, 3/4 - 10 x 1-3/4" (8 Req.)	S27327
850	Flange, Companion, 125 lb.	S11791

B59875

6" NPT x 10" O.D.

Key	Part Description	Part No.
73	Gasket	S10367
800	Capscrew, 3/4 - 10 x 2-1/4" (8 Req.)	S27330
850	Flange, Companion, 125 lb.	S02178

B59876

6" NPT x 11" O.D.

Key	Part Description	Part No.
73	Gasket	S10368
800	Capscrew, 3/4 - 10 x 2" (8 Req.)	S27329
850	Flange, Companion, 125 lb.	S11792

B59877

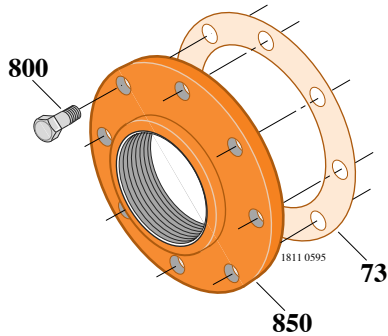


TYPE "B" SINGLE STAGE CENTRIFUGAL PUMP Bearing Frame Mount

Section	FM
Supplement	D3
Date	January 1, 2004
Supersedes 12/1/95	

COMPANION FLANGE KITS

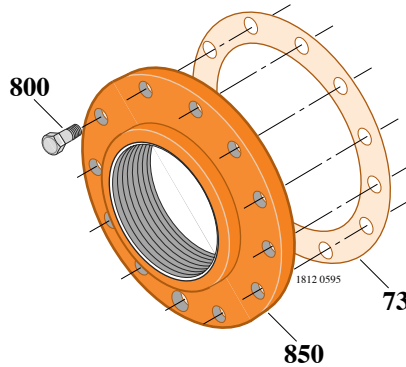
8" NPT x 13-1/2" O.D.



Key	Part Description	Part No.
73	Gasket	S10369
800	Capscrew, 3/4 - 10 x 2" (8 Req.)	S27329
850	Flange, Companion, 125 lb.	S11793

B59878

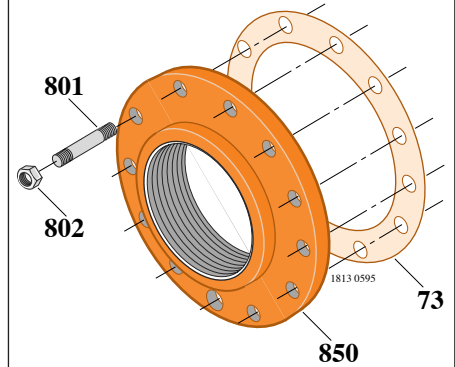
10" NPT x 16" O.D.



Key	Part Description	Part No.
73	Gasket	S10370
800	Capscrew, 7/8 - 9 x 2" (12 Req.)	S23303
850	Flange, Companion, 125 lb.	S11794

B59879

12" NPT x 19" O.D.



Key	Part Description	Part No.
73	Gasket	S10371
800	Capscrew, 7/8 - 9 x 3" (12 Req.)	S24095
802	Nut, Hex 7/8 - 9 (12 Req.)	S23113
850	Flange, Companion, 125 lb.	S11795

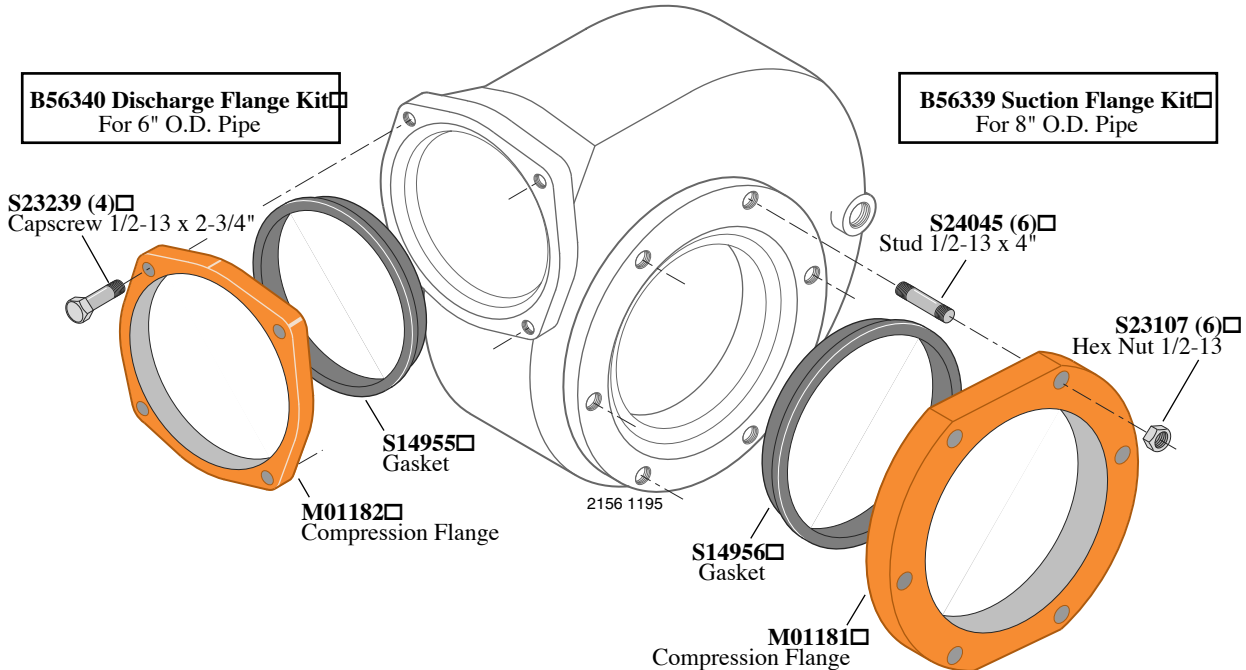
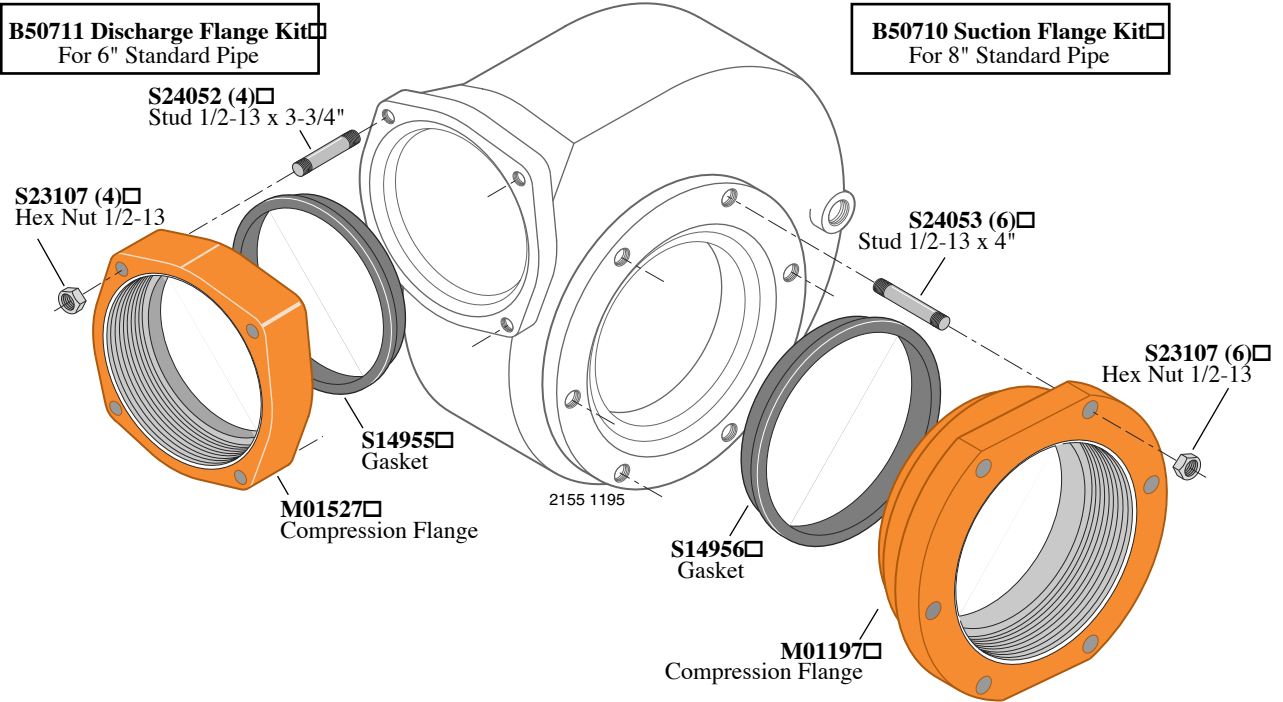
B59880



TYPE "B" SINGLE STAGE CENTRIFUGAL PUMP Bearing Frame Mount

Section	FM
Supplement	D4
Date	January 1, 2004
Supersedes 12/1/95	

B6Z Special Flange Kits





TYPE "B" SINGLE STAGE CENTRIFUGAL PUMP Bearing Frame Mount

Section	FM
Page	10.1
Date	January 1, 2004
Supersedes 12/1/95	

CAST IRON IMPELLER

B1-1/2ZRL

Threaded Case (NPT)

Packing Construction

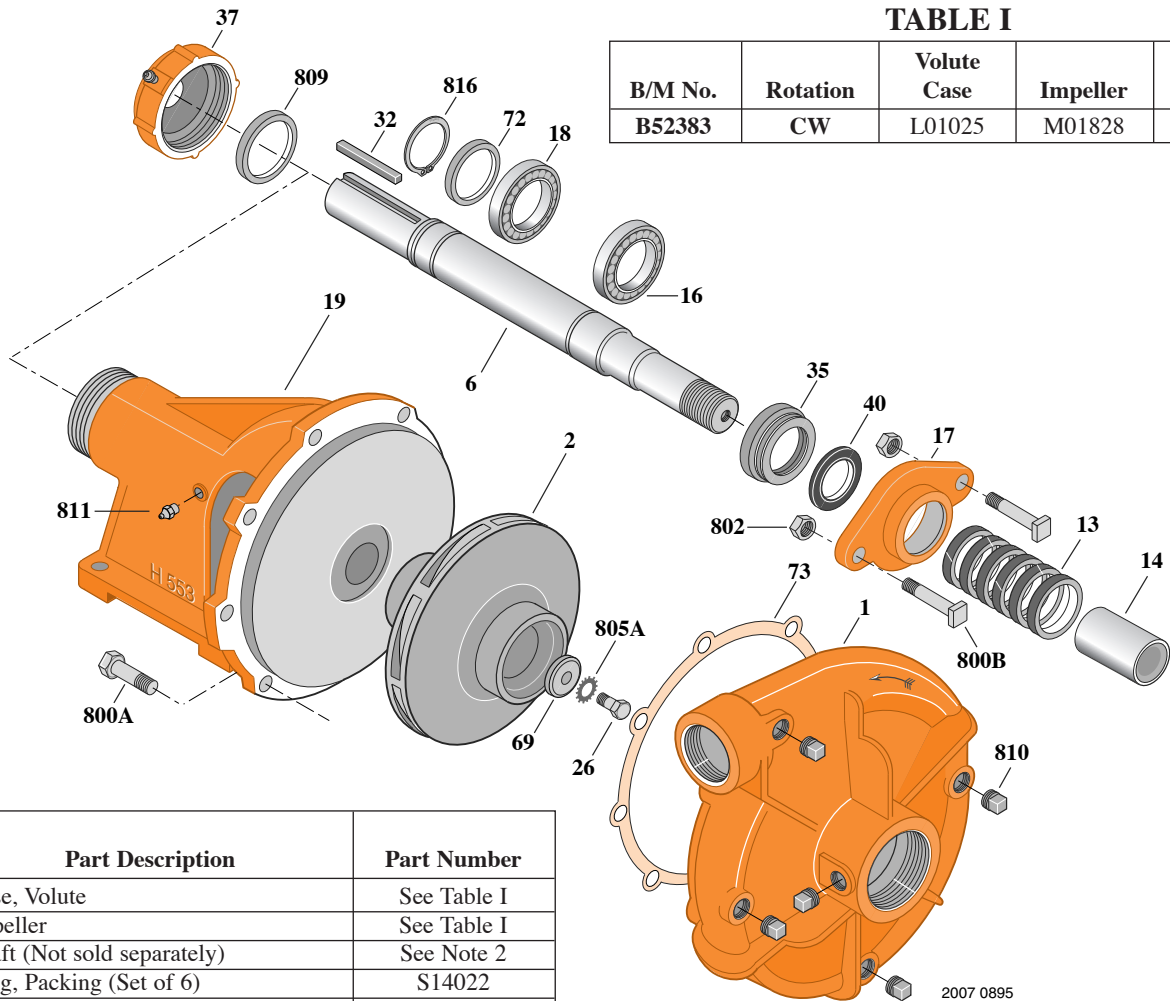


TABLE I

B/M No.	Rotation	Volute Case	Impeller	Impeller Diameter
B52383	CW	L01025	M01828	9.00"

Item No.	Part Description	Part Number
1	Case, Volute	See Table I
2	Impeller	See Table I
6	Shaft (Not sold separately)	See Note 2
13	Ring, Packing (Set of 6)	S14022
14	Sleeve, Shaft	S05127
16	Bearing, Ball	S13270
17	Gland, Packing (See Note 1)	S04948
18	Bearing, Ball	S13269
19	Frame	H00553
26	Screw, Impeller 3/8-16x1"	S23566
32	Key, 1/4x2-1/8"	S24255
35	Inner Bearing Cap	S19037
37	Outer Bearing Cap Assembly*	S19914
40	Slinger, Water	S12260
69	Washer, Impeller	S06314
72	Ring, Thrust	S29218
73	Gasket, Volute	S05126
800A	Capscrew, Hex 3/8-16x1" (8 Req.)	S26826
800B	Bolt, Machine 3/8-16x2-1/2" (2 Req.)	S23762
802	Nut, Hex 3/8-16 (2 Req.)	S23343
805A	Washer, Lock	S23036

Item No.	Part Description	Part Number
809	Ring, Spacer	S05822
810	Plug, Pipe 1/4 NPT (5 Req.)	S23715
811	Fitting, Grease	S23670
816	Ring, Retaining	S23010

1. A two piece (split) stainless steel packing gland is available for replacement, order part number **B82468**.
2. **Shaft Replacement Kit** available for this model. Berkeley part number **B82183**. Pump Shaft sold in shaft replacement kit only.

* Includes grease fitting and set screw.



TYPE "B" SINGLE STAGE CENTRIFUGAL PUMP Bearing Frame Mount

Section	FM
Page	10.2
Date	January 1, 2004
Supersedes 12/1/95	

CAST IRON IMPELLER

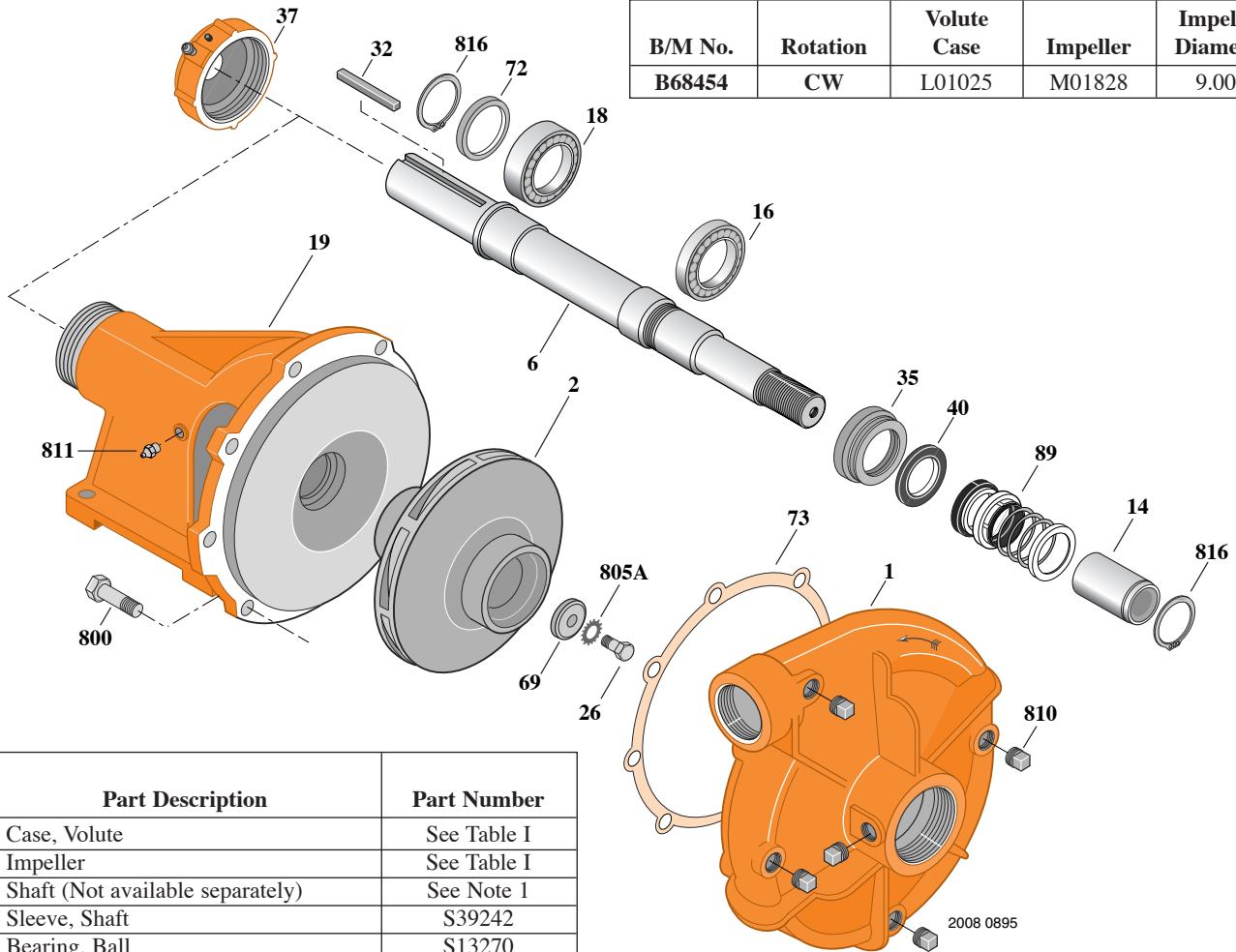
B1-1/2ZRLS

Threaded Case (NPT)

Mechanical Seal Construction

TABLE I

B/M No.	Rotation	Volute Case	Impeller	Impeller Diameter
B68454	CW	L01025	M01828	9.00"



Item No.	Part Description	Part Number
1	Case, Volute	See Table I
2	Impeller	See Table I
6	Shaft (Not available separately)	See Note 1
14	Sleeve, Shaft	S39242
16	Bearing, Ball	S13270
18	Bearing, Ball	S13271
19	Frame	H04007
26	Screw, Impeller 3/8-16x1"	S23566
32	Key, 3/16x2-1/8"	S24255
35	Inner Bearing Cap	S19033
37	Outer Bearing Cap Assembly*	S19914
40	Slinger, Water	S12260
69	Washer, Impeller	S06314
72	Ring, Thrust	S29218
73	Gasket, Volute	S05126
89	Seal, Mechanical Shaft	S32690
800	Capscrew, Hex 3/8-16x1" (8 Req.)	S26826
805A	Washer, Lock	S23036
810	Plug, Pipe 1/4 NPT (5 Req.)	S23715

Item No.	Part Description	Part Number
811	Fitting, Grease (2 Req.)	S23670
816	Ring, Retaining	S23009
816	Ring, Retaining	S23010

- Shaft Replacement Kit** available for this model. Berkeley part number **B75299**. Pump Shaft sold in shaft replacement kit only.

* Includes grease fitting and set screw.



TYPE "B" SINGLE STAGE CENTRIFUGAL PUMP Bearing Frame Mount

Section	FM
Page	10.3
Date	January 1, 2004
Supersedes/New	

BRONZE IMPELLER

B1-1/2ZRL

Threaded Case (NPT)

Packing Construction

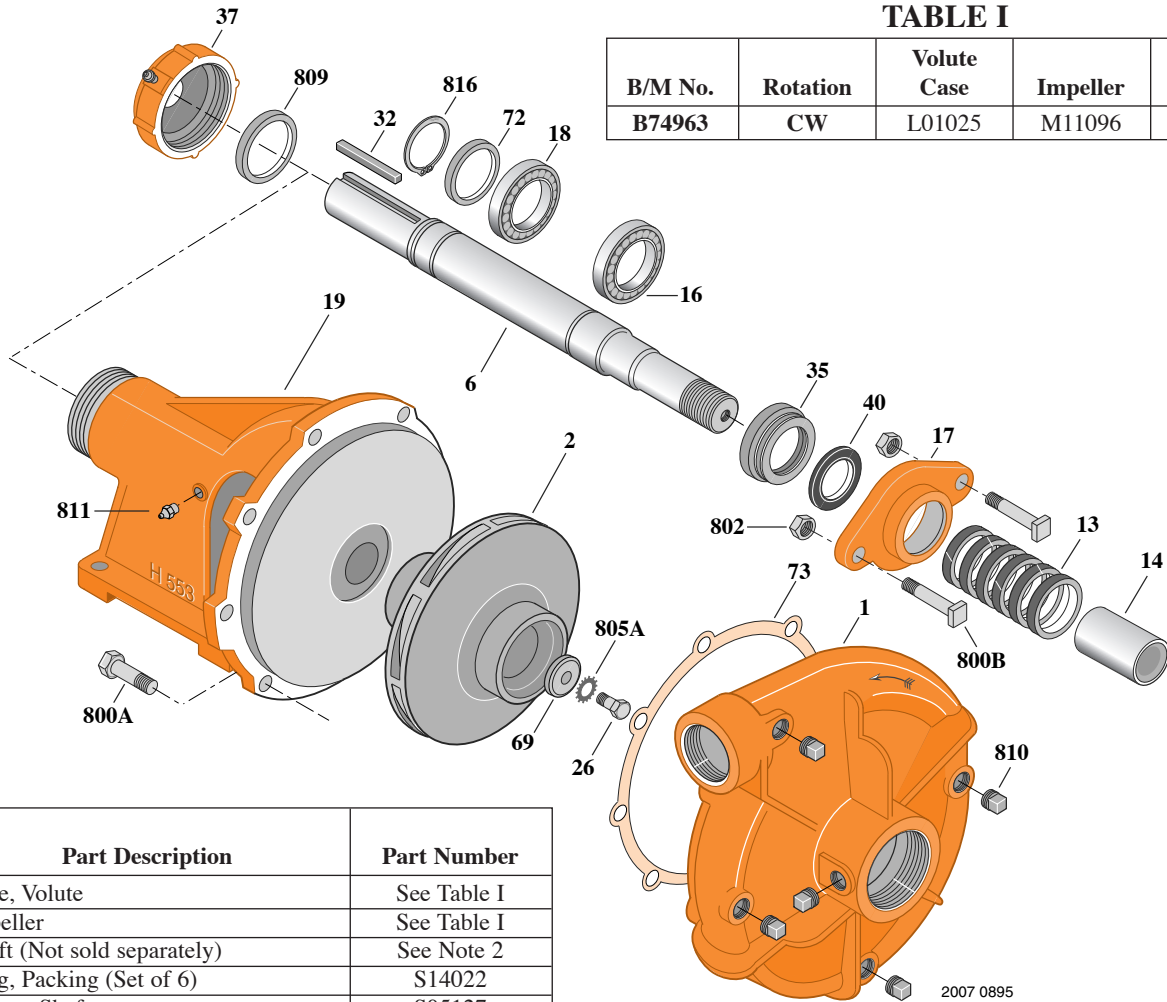


TABLE I

B/M No.	Rotation	Volute Case	Impeller	Impeller Diameter
B74963	CW	L01025	M11096	9.00"

Item No.	Part Description	Part Number
1	Case, Volute	See Table I
2	Impeller	See Table I
6	Shaft (Not sold separately)	See Note 2
13	Ring, Packing (Set of 6)	S14022
14	Sleeve, Shaft	S05127
16	Bearing, Ball	S13270
17	Gland, Packing (See Note 1)	S04948
18	Bearing, Ball	S13269
19	Frame	H00553
26	Screw, Impeller 3/8-16x1"	S23566
32	Key, 1/4x2-1/8"	S24255
35	Inner Bearing Cap	S19037
37	Outer Bearing Cap Assembly*	S19914
40	Slinger, Water	S12260
69	Washer, Impeller	S06314
72	Ring, Thrust	S29218
73	Gasket, Volute	S05126
800A	Capscrew, Hex 3/8-16x1" (8 Req.)	S26826
800B	Bolt, Machine 3/8-16x2-1/2" (2 Req.)	S23762
802	Nut, Hex 3/8-16 (2 Req.)	S23343
805A	Washer, Lock	S23036

Item No.	Part Description	Part Number
809	Ring, Spacer	S05822
810	Plug, Pipe 1/4 NPT (5 Req.)	S23715
811	Fitting, Grease	S23670
816	Ring, Retaining (1 Req.)	S23010

1. A two piece (split) stainless steel packing gland is available for replacement, order part number **B82468**.
2. **Shaft Replacement Kit** available for this model. Berkeley part number **B82183**. Pump Shaft sold in shaft replacement kit only.

* Includes grease fitting and set screw.



TYPE "B" SINGLE STAGE CENTRIFUGAL PUMP Bearing Frame Mount

Section	FM
Page	20.1
Date	December 1, 1995
Supersedes/New	

CAST IRON IMPELLER

B1-1/2ERL

Threaded Case (NPT)

Packing Construction

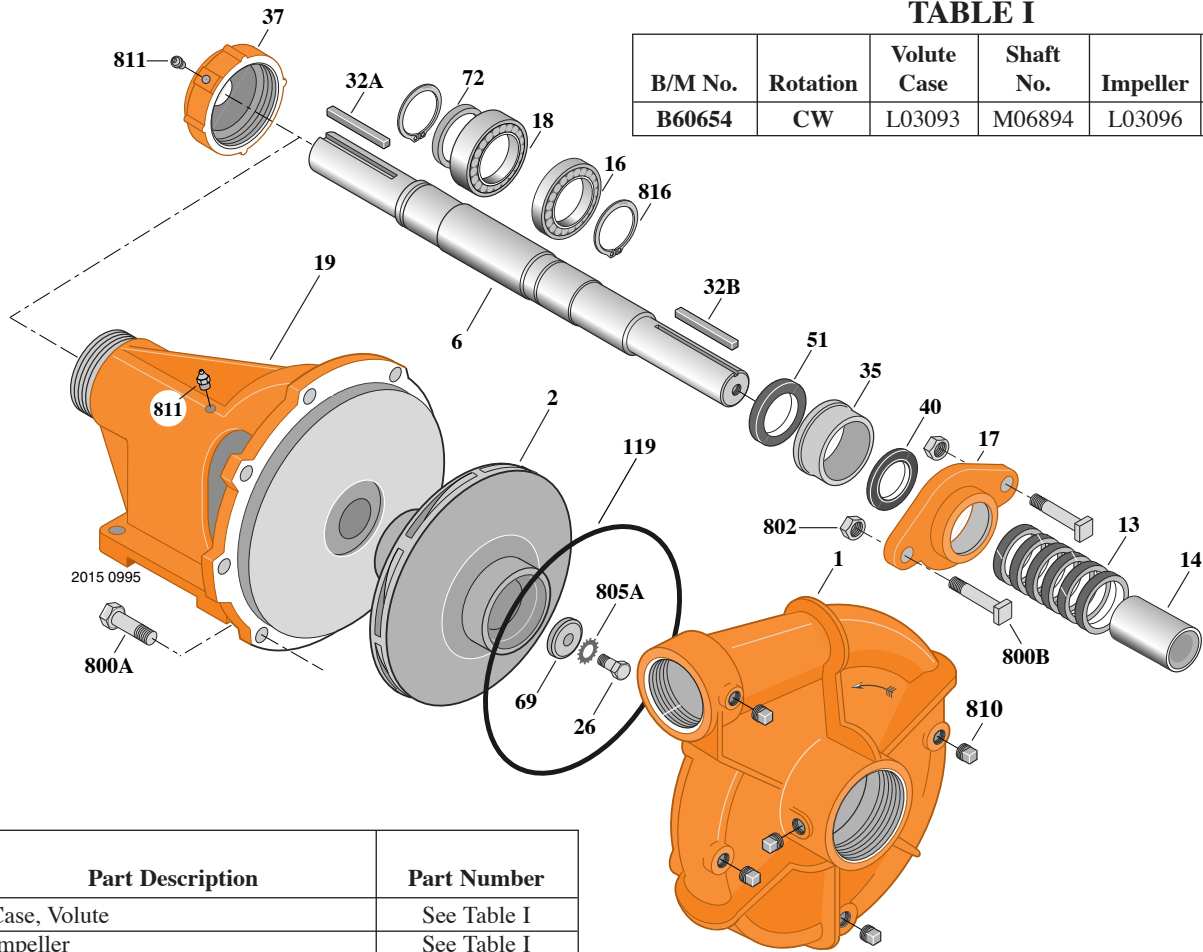


TABLE I

B/M No.	Rotation	Volute Case	Shaft No.	Impeller	Impeller Diameter
B60654	CW	L03093	M06894	L03096	10.44"

Item No.	Part Description	Part Number
1	Case, Volute	See Table I
2	Impeller	See Table I
6	Shaft (See Note 2)	See Table I
13	Ring, Packing (Set of 6)	S14022
14	Sleeve, Shaft	S05127
16	Bearing, Ball	S29895
17	Gland, Packing (See Note 1)	S04948
18	Bearing, Ball	S13271
19	Frame	H02089
26	Screw, Impeller 3/8x16x1"	S23566
32A	Key, 1/4x2-1/8"	S24255
32B	Key, 3/16x1-1/2"	S23500
35	Inner Bearing Cap	S13214
37	Outer Bearing Cap	S29308
40	Slinger, Water	M09685
51	Seal, Oil	S14763
69	Washer, Impeller	S06314
72	Ring, Thrust	S29218
119	O-Ring	S13760
800A	Capscrew, Hex 1/2-13x1-1/4" (8 Req.)	S26914

Item No.	Part Description	Part Number
800B	Bolt, Sq. Head 3/8-16x2-1/2" (2 Req.)	S23762
802	Nut, Hex 3/8-16 (2 Req.)	S23343
805A	Washer, Lock	S23036
810	Plug, Pipe 1/4 NPT (5 Req.)	S23715
811	Fitting, Grease (3 Req.)	S23670
816	Ring, Retaining (2 Req.)	S23010

1. A two piece (split) bronze packing gland is available for replacement, order part number **B82468**.
2. **Shaft Replacement Kit** available for this model. Berkeley part number **B60633**. Refer to Supplement Sheet C1 for breakdown of shaft kit components.



TYPE "B" SINGLE STAGE CENTRIFUGAL PUMP Bearing Frame Mount

Section	FM
Page	20.2
Date	January 1, 2004
Supersedes 12/1/95	

BRONZE IMPELLER

B1-1/2ERLS

Threaded Case (NPT)

Mechanical Seal Construction

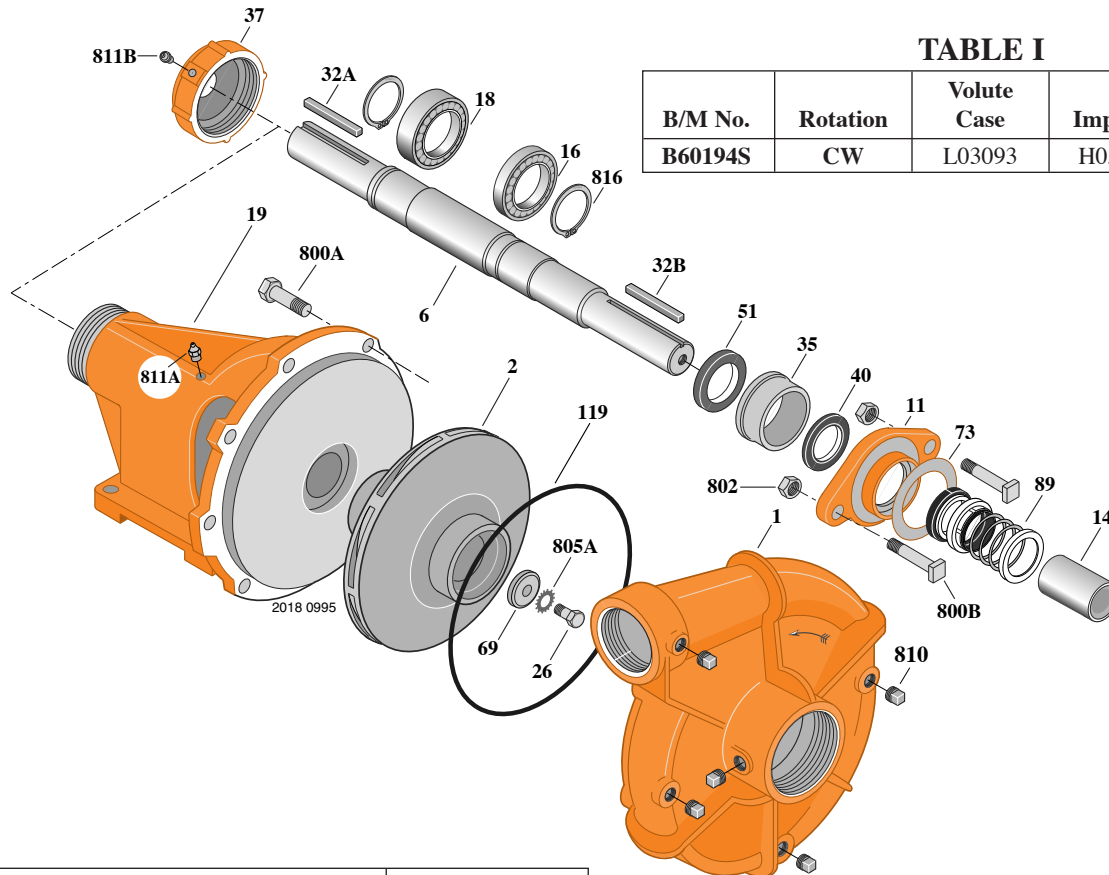


TABLE I

B/M No.	Rotation	Volute Case	Impeller	Impeller Diameter
B60194S	CW	L03093	H05468	10.44"

Item No.	Part Description	Part Number
1	Case, Volute	See Table I
2	Impeller	See Table I
6	Shaft (Not sold separately)	See Note 1
11	Retainer, Mechanical Shaft Seal	S05993
14	Sleeve, Shaft	S05127
16	Bearing, Ball	S13270
18	Bearing, Ball	S13271
19	Frame	H03960
26	Screw, Impeller 3/8-16x1"	S23566
32A	Key, 1/4x2-1/8"	S24255
32B	Key, 3/16x1-1/2"	S23500
35	Inner Bearing Cap	S13214
37	Outer Bearing Cap	S13059
40	Slinger, Water	M09685
51	Seal, Oil	S14763
69	Washer, Impeller	S06314
73	Gasket, Seal Retainer	S08911
89	Seal, Mechanical Shaft	S32689
119	O-Ring	S13760
800A	Capscrew, Hex 1/2-13x1-1/4" (8 Req.)	S26914

Item No.	Part Description	Part Number
800B	Bolt, Sq. Head 3/8-16x2-1/2" (2 Req.)	S23762
802	Nut, Hex 3/8-16 (2 Req.)	S23343
805A	Washer, Lock	S23036
810	Plug, Pipe 1/4 NPT (5 Req.)	S23715
811A	Fitting, Grease	S23670
811B	Fitting, Grease (2 Req.)	S23700
816	Ring, Retaining (2 Req.)	S23010
820A	Connector, Compression Fitting	S24013
820B	Connector, Compression Fitting	S24014
822	Tubing, Copper	S20677

- Shaft Replacement Kit** available for this model. Berkeley part number **B60633**. Pump Shaft sold in shaft replacement kit only.



TYPE "B" SINGLE STAGE CENTRIFUGAL PUMP Bearing Frame Mount

Section	FM
Page	20.3
Date	January 1, 2004
Supersedes 9/1/97	

SILICON BRONZE IMPELLER

B1-1/2ERL

Threaded Case (NPT)

Packing Construction

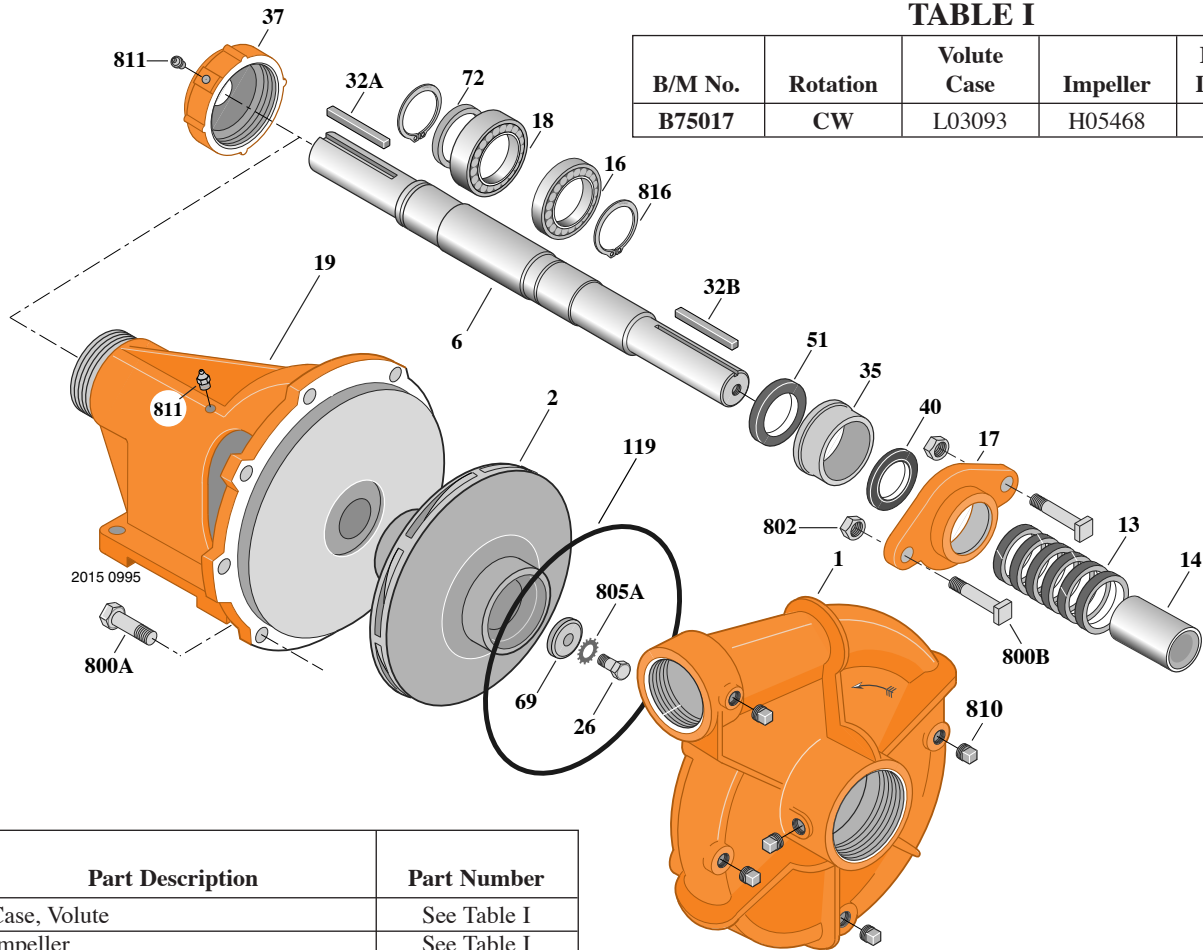


TABLE I

B/M No.	Rotation	Volute Case	Impeller	Impeller Diameter
B75017	CW	L03093	H05468	10.44"

Item No.	Part Description	Part Number
1	Case, Volute	See Table I
2	Impeller	See Table I
6	Shaft (Not sold separately)	See Note 2
13	Ring, Packing (Set of 6)	S14022
14	Sleeve, Shaft	S05127
16	Bearing, Ball	S29895
17	Gland, Packing (See Note 1)	S04948
18	Bearing, Ball	S13271
19	Frame	H02089
26	Screw, Impeller 3/8-16x1"	S23566
32A	Key, 1/4x2-1/8"	S24255
32B	Key, 3/16x1-1/2"	S23500
35	Inner Bearing Cap	S13214
37	Outer Bearing Cap	S29308
40	Slinger, Water	M09685
51	Seal, Oil	S14763
69	Washer, Impeller	S06314
72	Ring, Thrust	S29218
119	O-Ring	S13760
800A	Capscrew, Hex 1/2-13x1-1/4" (8 Req.)	S26914

Item No.	Part Description	Part Number
800B	Bolt, Sq. Head 3/8-16x2-1/2" (2 Req.)	S23762
802	Nut, Hex 3/8-16 (2 Req.)	S23343
805A	Washer, Lock	S23036
810	Plug, Pipe 1/4 NPT (6 Req.)	S23715
811	Fitting, Grease (3 Req.)	S23670
816	Ring, Retaining (2 Req.)	S23010

1. A two piece (split) stainless steel packing gland is available for replacement, order part number **B82468**.
2. **Shaft Replacement Kit** available for this model. Berkeley part number **B60633**. Pump Shaft sold in shaft replacement kit only.



TYPE "B" SINGLE STAGE CENTRIFUGAL PUMP Bearing Frame Mount

Section	FM
Page	20.4
Date	January 1, 2004
Supersedes 12/1/95	

BRONZE IMPELLER

B1-1/2ERLS

Threaded Case (NPT)

Mechanical Seal Construction

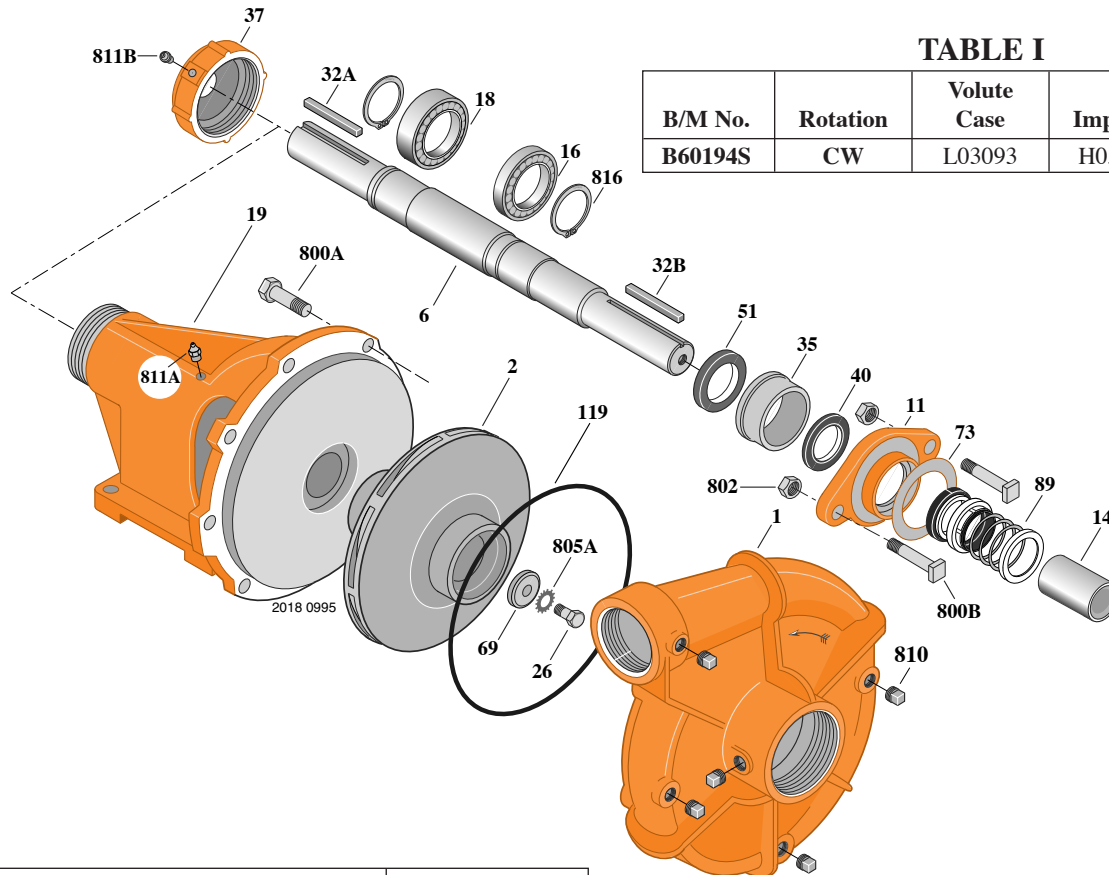


TABLE I

B/M No.	Rotation	Volute Case	Impeller	Impeller Diameter
B60194S	CW	L03093	H05468	10.44"

Item No.	Part Description	Part Number
1	Case, Volute	See Table I
2	Impeller	See Table I
6	Shaft (Not sold separately)	See Note 1
11	Retainer, Mechanical Shaft Seal	S05993
14	Sleeve, Shaft	S05127
16	Bearing, Ball	S13270
18	Bearing, Ball	S13271
19	Frame	H03960
26	Screw, Impeller 3/8-16x1"	S23566
32A	Key, 1/4x2-1/8"	S24255
32B	Key, 3/16x1-1/2"	S23500
35	Inner Bearing Cap	S13214
37	Outer Bearing Cap	S13059
40	Slinger, Water	M09685
51	Seal, Oil	S14763
69	Washer, Impeller	S06314
73	Gasket, Seal Retainer	S08911
89	Seal, Mechanical Shaft	S32689
119	O-Ring	S13760
800A	Capscrew, Hex 1/2-13x1-1/4" (8 Req.)	S26914

Item No.	Part Description	Part Number
800B	Bolt, Sq. Head 3/8-16x2-1/2" (2 Req.)	S23762
802	Nut, Hex 3/8-16 (2 Req.)	S23343
805A	Washer, Lock	S23036
810	Plug, Pipe 1/4 NPT (5 Req.)	S23715
811A	Fitting, Grease	S23670
811B	Fitting, Grease (2 Req.)	S23700
816	Ring, Retaining (2 Req.)	S23010
820A	Connector, Compression Fitting	S24013
820B	Connector, Compression Fitting	S24014
822	Tubing, Copper	S20677

1. **Shaft Replacement Kit** available for this model.
Berkeley part number **B60633**.
Pump Shaft sold in shaft replacement kit only.



TYPE "B" SINGLE STAGE CENTRIFUGAL PUMP Bearing Frame Mount

Section	FM
Page	30.1
Date	January 1, 2004
Supersedes 12/1/95	

CAST IRON IMPELLER

B2ZRL

Threaded Case (NPT)

Packing Construction

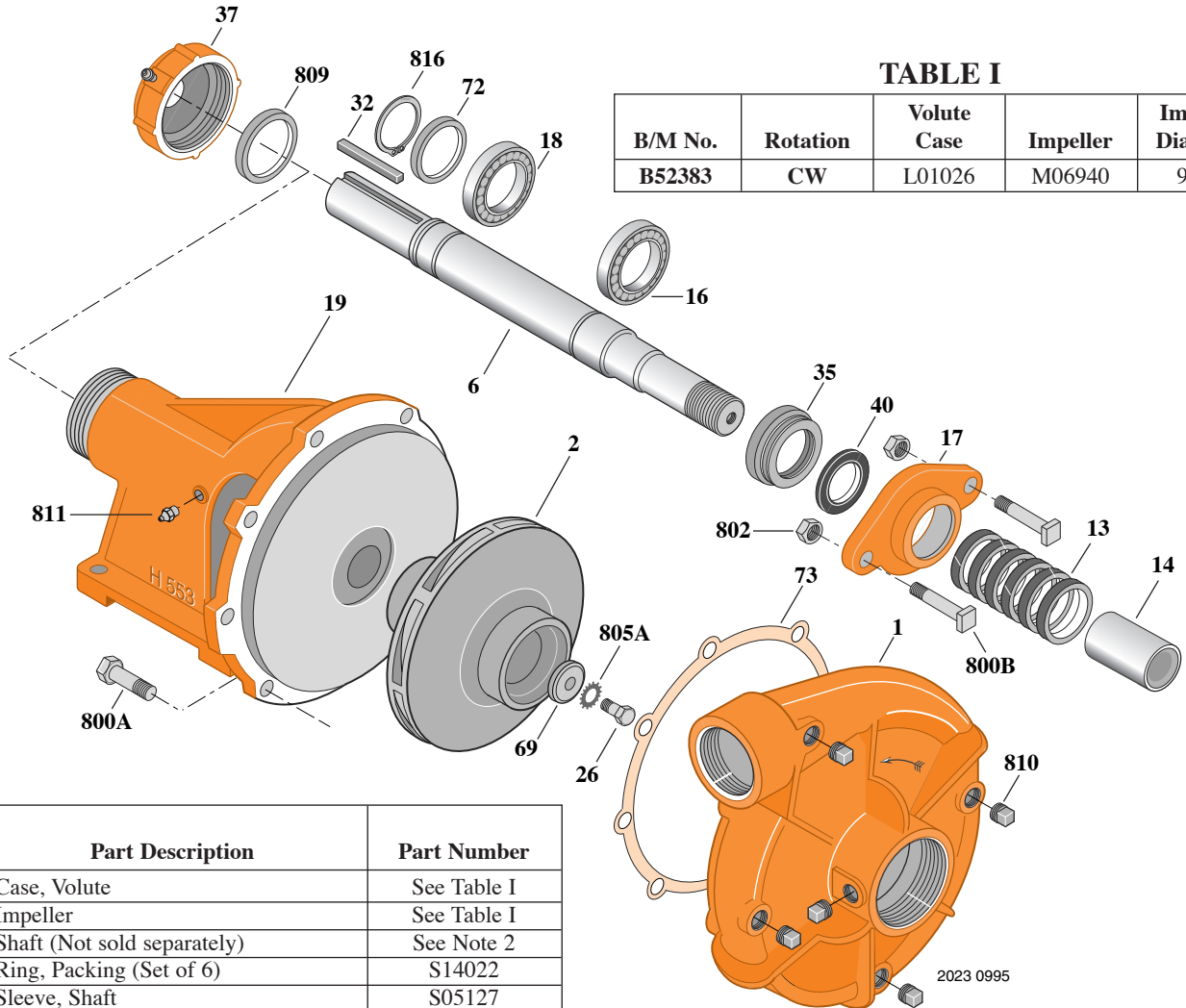


TABLE I

B/M No.	Rotation	Volute Case	Impeller	Impeller Diameter
B52383	CW	L01026	M06940	9.00"

Item No.	Part Description	Part Number
1	Case, Volute	See Table I
2	Impeller	See Table I
6	Shaft (Not sold separately)	See Note 2
13	Ring, Packing (Set of 6)	S14022
14	Sleeve, Shaft	S05127
16	Bearing, Ball	S13270
17	Gland, Packing (See Note 1)	S04948
18	Bearing, Ball	S13269
19	Frame	H00553
26	Screw, Impeller 3/8-16x1"	S23566
32	Key, 1/4x2-1/8"	S24255
35	Inner Bearing Cap	S19037
37	Outer Bearing Cap Assembly*	S19914
40	Slinger, Water	S12260
69	Washer, Impeller	S06314
72	Ring, Thrust	S29218
73	Gasket, Volute	S05126
800A	Capscrew, Hex 3/8-16x1" (8 Req.)	S26826
800B	Bolt, Sq. Head 3/8-16x2-1/2" (2 Req.)	S23762
802	Nut, Hex 3/8-16 (2 Req.)	S23343
805A	Washer, Lock	S23036

Item No.	Part Description	Part Number
809	Spacer, Ring	S05822
810	Plug, Pipe 1/4 NPT (5 Req.)	S23715
811	Fitting, Grease	S23670
816	Ring, Retaining (1 Req.)	S23010

1. A two piece (split) stainless steel packing gland is available for replacement, order part number **B80701**.
2. **Shaft Replacement Kit** available for this model. Berkeley part number **B82183**. Pump Shaft sold in shaft replacement kit only.

* Includes grease fitting and set screw.



TYPE "B" SINGLE STAGE CENTRIFUGAL PUMP Bearing Frame Mount

Section	FM
Page	30.2
Date	January 1, 2004
Supersedes 12/1/95	

CAST IRON IMPELLER

B2ZRLS

Threaded Case (NPT)

Mechanical Seal Construction

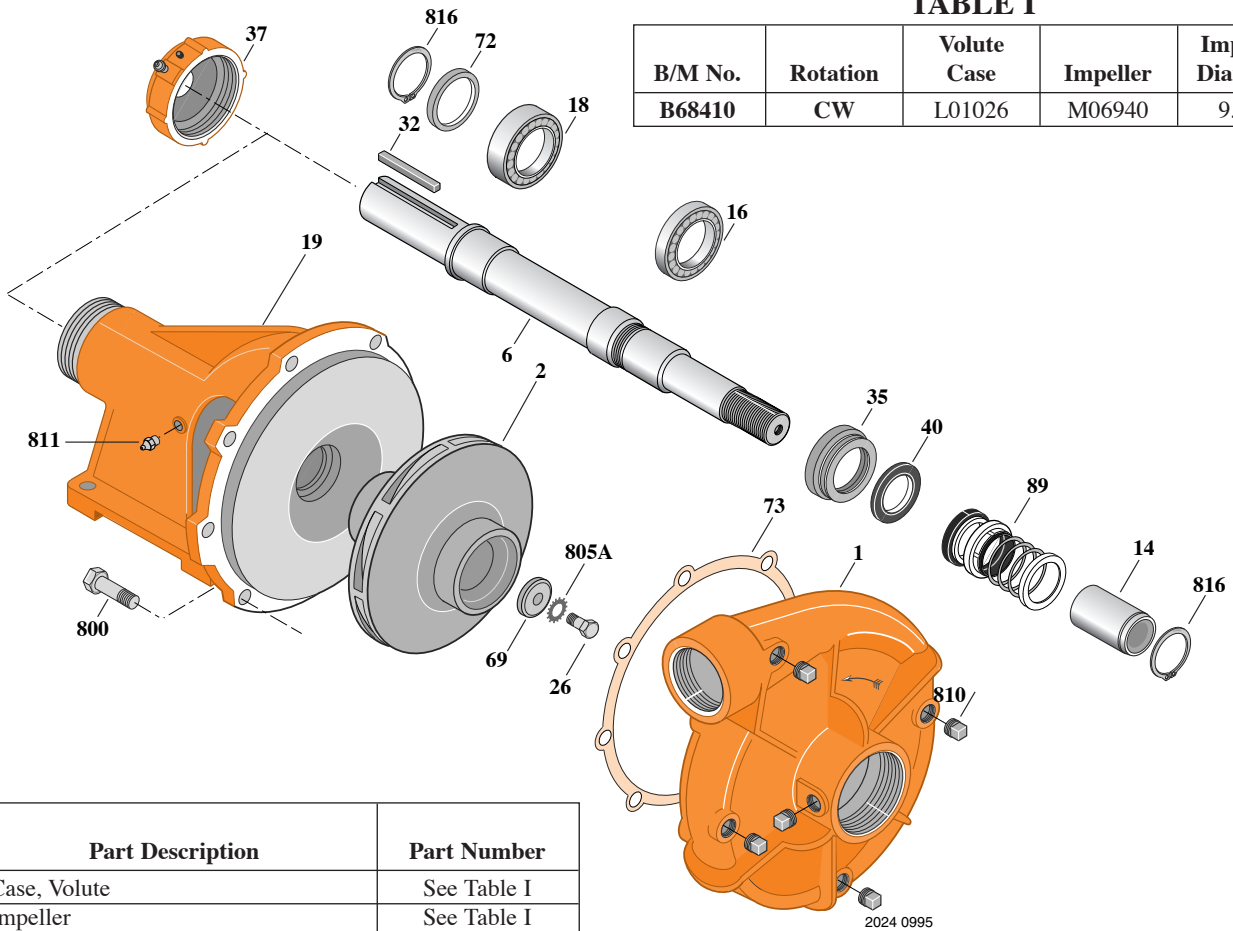


TABLE I

B/M No.	Rotation	Volute Case	Impeller	Impeller Diameter
B68410	CW	L01026	M06940	9.00"

Item No.	Part Description	Part Number
1	Case, Volute	See Table I
2	Impeller	See Table I
6	Shaft (Not sold separately)	See Note 1
14	Sleeve, Shaft	S39242
16	Bearing, Ball	S13270
18	Bearing, Ball	S13271
19	Frame	H04007
26	Screw, Impeller 3/8-16x1"	S23566
32	Key, 1/4x2-1/8"	S24255
35	Inner Bearing Cap	S19033
37	Outer Bearing Cap Assembly*	S19914
40	Slinger, Water	S12260
69	Washer, Impeller	S06314
72	Ring, Thrust	S29218
73	Gasket, Volute	S05126
89	Seal, Mechanical Shaft	S32690
800	Capscrew Hex 3/8-16x7/8" (8 Req.)	S26825
805A	Washer, Lock	S23036
810	Plug, Pipe 1/4 NPT (5 Req.)	S23715

Item No.	Part Description	Part Number
811	Fitting, Grease	S23670
816	Ring, Retaining	S23009
816	Ring, Retaining	S23010
•	Plug, Pipe 1/2 NPT	S23717

• Not illustrated.

- Shaft Replacement Kit** available for this model. Berkeley part number **B82184**. Pump Shaft sold in shaft replacement kit only.

* Includes grease fitting and set screw.



TYPE "B" SINGLE STAGE CENTRIFUGAL PUMP Bearing Frame Mount

Section	FM
Page	40.1
Date	January 1, 2004
Supersedes 12/1/95	

CAST IRON IMPELLER

B2ZRM

Threaded Case (NPT)

Packing Construction

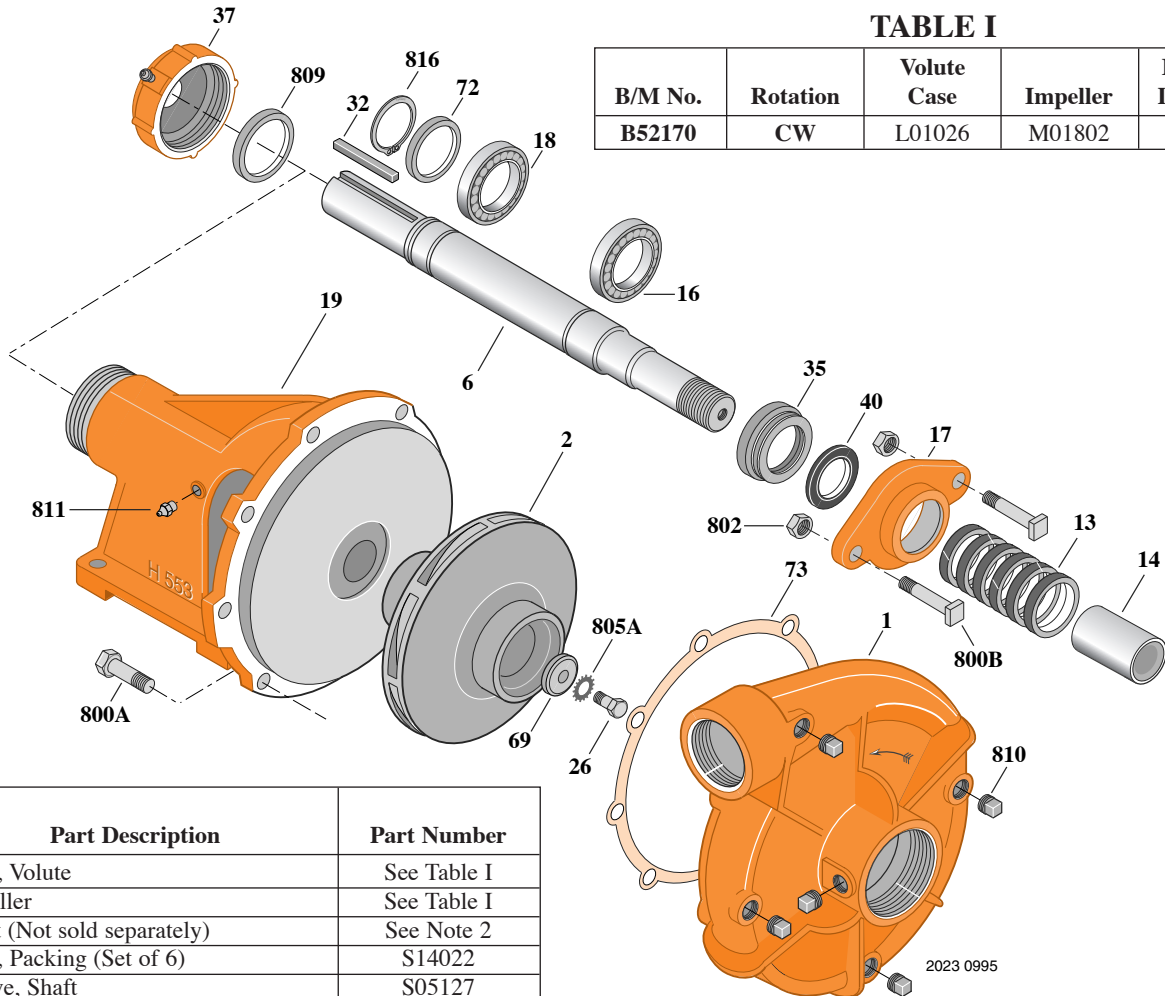


TABLE I

B/M No.	Rotation	Volute Case	Impeller	Impeller Diameter
B52170	CW	L01026	M01802	9.00"

Item No.	Part Description	Part Number
1	Case, Volute	See Table I
2	Impeller	See Table I
6	Shaft (Not sold separately)	See Note 2
13	Ring, Packing (Set of 6)	S14022
14	Sleeve, Shaft	S05127
16	Bearing, Ball	S13269
17	Gland, Packing (See Note 1)	S04948
18	Bearing, Ball	S13270
19	Frame	H00553
26	Screw, Impeller 3/8-16x1"	S23566
32	Key, 1/4x2-1/8"	S24255
35	Inner Bearing Cap	S19037
37	Outer Bearing Cap Assembly*	S19914
40	Slinger, Water	S12260
69	Washer, Impeller	S06314
72	Ring, Thrust	S29218
73	Gasket, Volute	S05126
800A	Capscrew, Hex 3/8-16x1" (8 Req.)	S26826
800B	Bolt, Sq. Head 3/8-16x2-1/2" (2 Req.)	S23762
802	Nut, Hex 3/8-16 (2 Req.)	S23343
805A	Washer, Lock	S23036

Item No.	Part Description	Part Number
809	Ring, Spacer	S05822
810	Plug, Pipe 1/4 NPT (5 Req.)	S23715
811	Fitting, Grease	S23670
816	Ring, Retaining (1 Req.)	S23010

1. A two piece (split) stainless steel packing gland is available for replacement, order part number **B82468**.
2. **Shaft Replacement Kit** available for this model. Berkeley part number **B82183**. Pump Shaft sold in shaft replacement kit only.

* Includes grease fitting and set screw.



TYPE "B" SINGLE STAGE CENTRIFUGAL PUMP Bearing Frame Mount

Section	FM
Page	40.2
Date	January 1, 2004
Supersedes 12/1/95	

CAST IRON IMPELLER

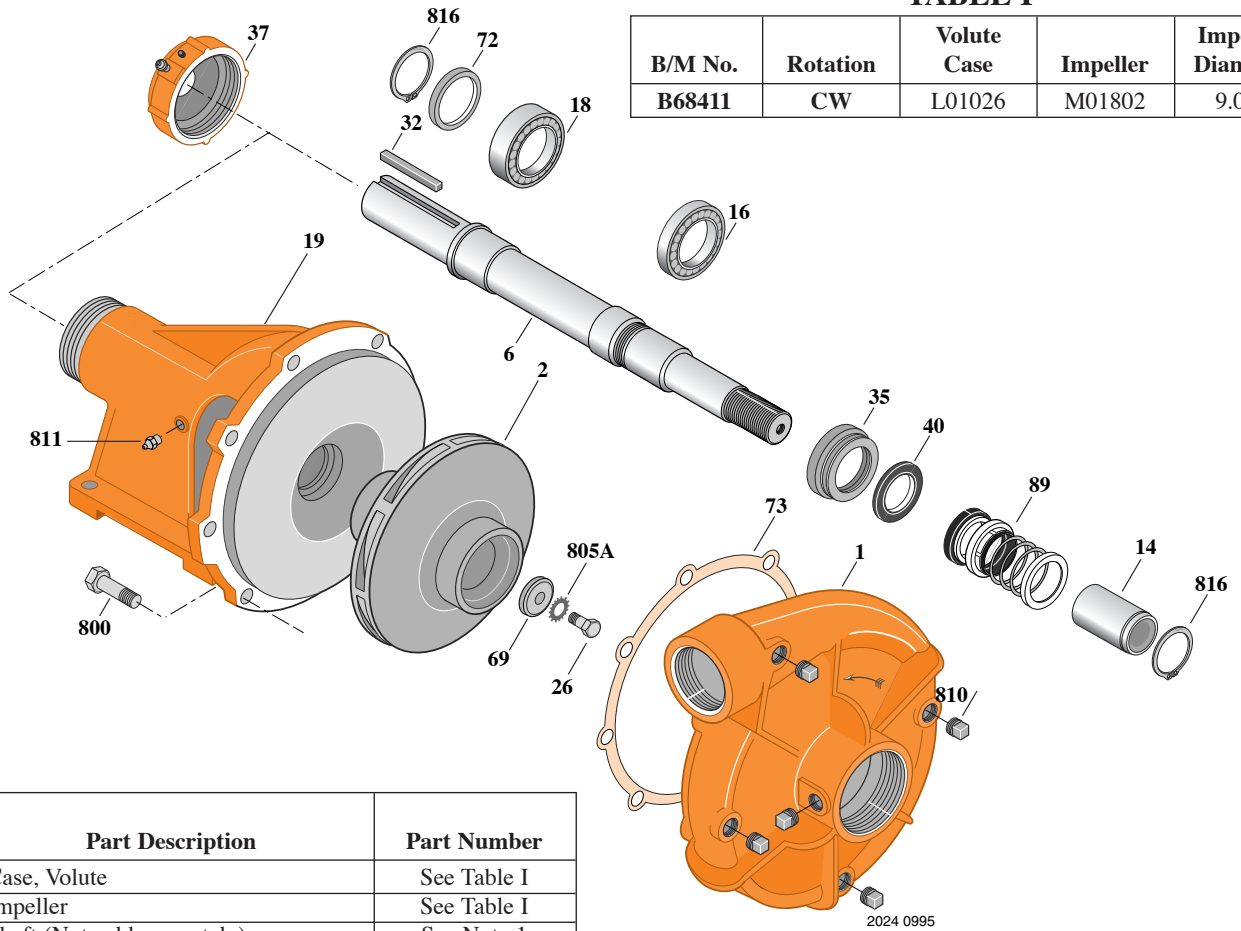
B2ZRMS

Threaded Case (NPT)

Mechanical Seal Construction

TABLE I

B/M No.	Rotation	Volute Case	Impeller	Impeller Diameter
B68411	CW	L01026	M01802	9.00"



Item No.	Part Description	Part Number
1	Case, Volute	See Table I
2	Impeller	See Table I
6	Shaft (Not sold separately)	See Note 1
14	Sleeve, Shaft	S39242
16	Bearing, Ball	S13270
18	Bearing, Ball	S13271
19	Frame	H04007
26	Screw, Impeller 3/8-16x1"	S23566
32	Key, 1/4x2-1/8"	S24255
35	Inner Bearing Cap	S19033
37	Outer Bearing Cap Assembly*	S19914
40	Slinger, Water	S12260
69	Washer, Impeller	S06314
72	Ring, Thrust	S29218
73	Gasket, Volute	S05126
89	Seal, Mechanical Shaft	S32690
800	Capscrew, Hex 3/8-16x7/8" (8 Req.)	S26825
805A	Washer, Lock	S23036
810	Plug, Pipe 1/4 NPT (5 Req.)	S23715

Item No.	Part Description	Part Number
811	Fitting, Grease	S23670
816	Ring, Retaining	S23009
816	Ring, Retaining	S23010
•	Plug, Pipe 1/2 NPT	S23717

• Not illustrated.

- Shaft Replacement Kit** available for this model. Berkeley part number **B80701**. Pump Shaft sold in shaft replacement kit only.

* Includes grease fitting and set screw.



TYPE "B" SINGLE STAGE CENTRIFUGAL PUMP Bearing Frame Mount

Section	FM
Page	50.1
Date	February 16, 2010
Supersedes 1/1/04	

CAST IRON IMPELLER

B2ERLL

Threaded Case (NPT)

Packing Construction

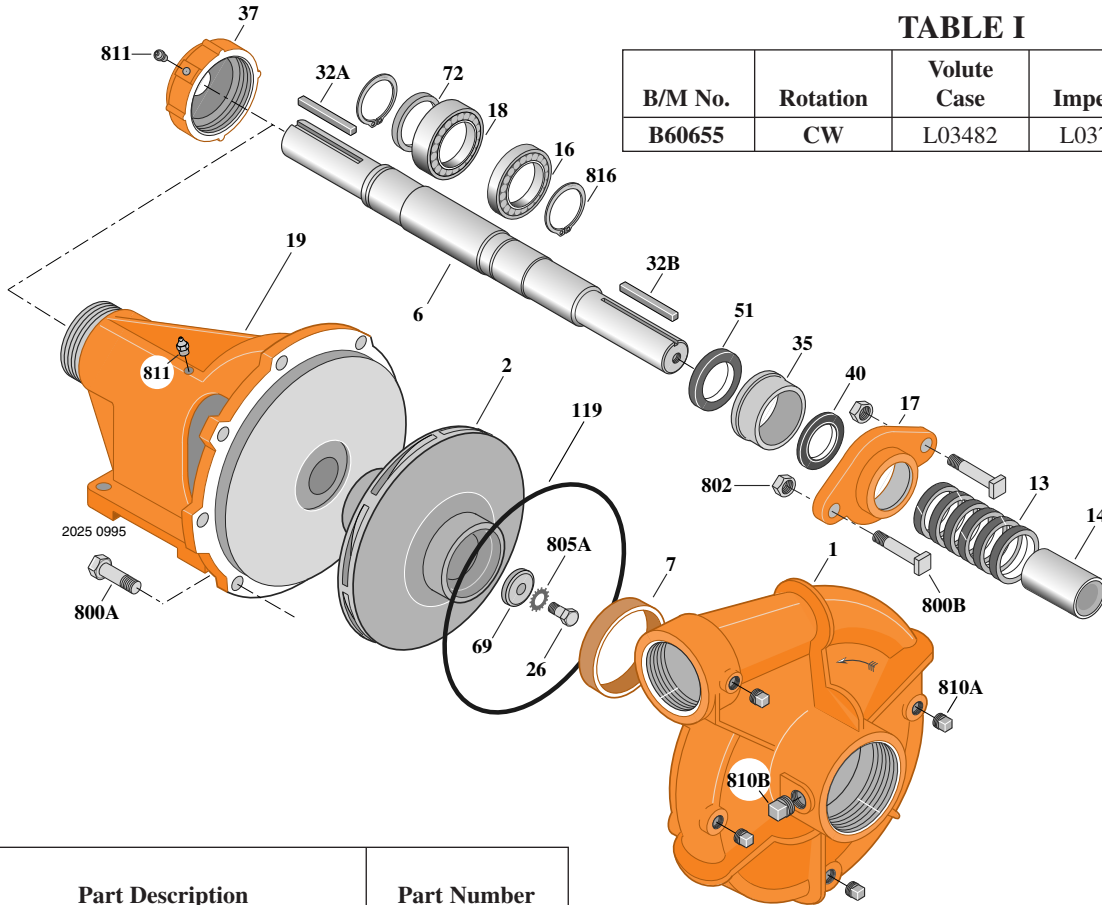


TABLE I

B/M No.	Rotation	Volute Case	Impeller	Impeller Diameter
B60655	CW	L03482	L03710	10.00"

Item No.	Part Description	Part Number
1	Case, Volute	See Table I
2	Impeller	See Table I
6	Shaft (Not sold separately)	See Note 2
7	Ring, Wearing	S13548
13	Ring, Packing (Set of 6)	S14022
14	Sleeve, Shaft	S05127
16	Bearing, Ball	S29895
17	Gland, Packing (See Note 1)	S04948
18	Bearing, Ball	S13271
19	Frame	H02089
26	Screw, Impeller 3/8-16x1"	S23566
32A	Key, 1/4x2-1/8"	S24255
32B	Key, 3/16x1-1/2"	S23500
35	Inner Bearing Cap	S13214
37	Outer Bearing Cap	S29308
40	Slinger, Water	M09685
51	Seal, Oil	S14763
69	Washer, Impeller	S06314
72	Ring, Thrust	S29218
119	O-Ring	S13760

Item No.	Part Description	Part Number
800A	Capscrew, Hex 1/2-13x1-1/4" (8 Req.)	S26914
800B	Bolt, Sq. Head 3/8-16x2-1/2" (2 Req.)	S23762
802	Nut, Hex 3/8-16 (2 Req.)	S23343
805A	Washer, Lock	S23036
810A	Plug, Pipe 1/4 NPT (4 Req.)	S23715
810B	Plug, Pipe 1/2 NPT	S23717
811	Fitting, Grease (3 Req.)	S23670
816	Ring, Retaining (2 Req.)	S23010

1. A two piece (split) stainless steel packing gland is available for replacement, order part number **B82468**.
2. **Shaft Replacement Kit** available for this model. Berkeley part number **B60633**. Pump Shaft sold in shaft replacement kit only.



TYPE "B" SINGLE STAGE CENTRIFUGAL PUMP Bearing Frame Mount

Section	FM
Page	60.1
Date	February 16, 2010
Supersedes 1/1/04	

CAST IRON IMPELLER

B2ERL

Threaded Case (NPT)

Packing Construction

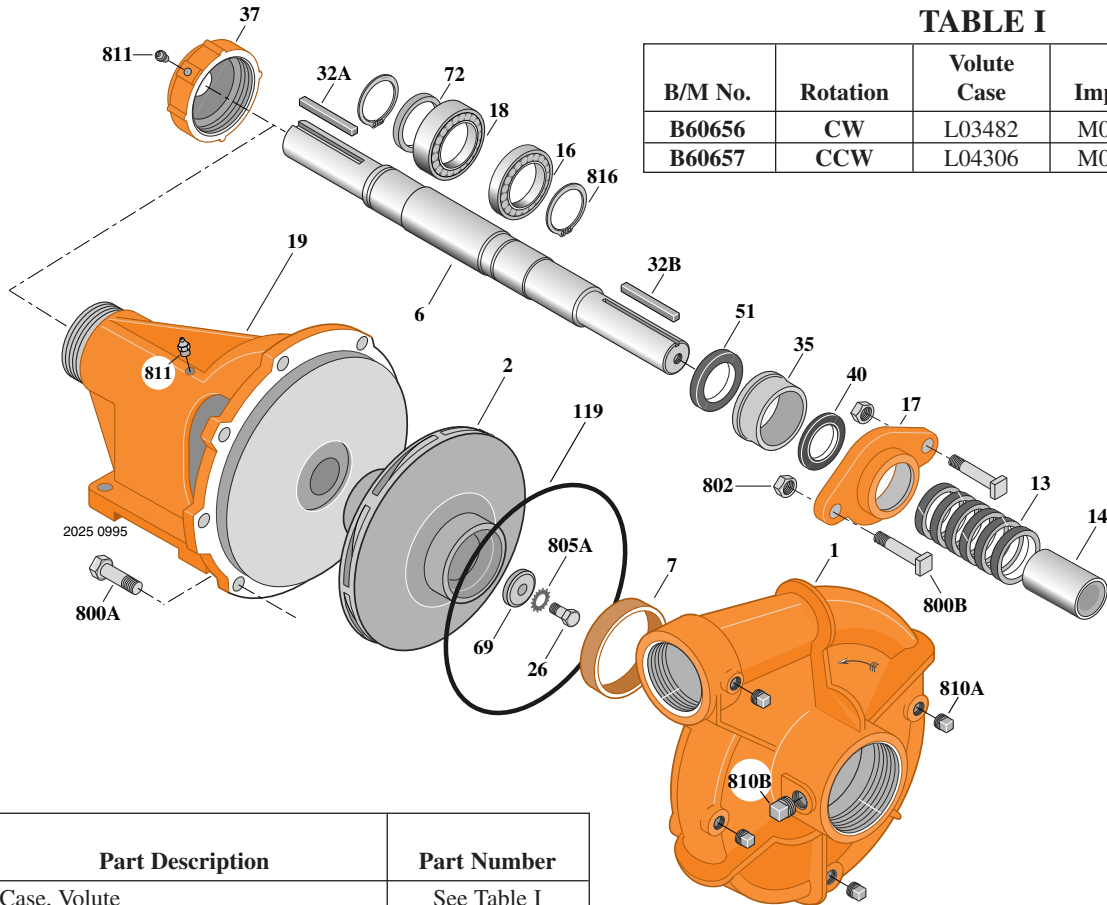


TABLE I

B/M No.	Rotation	Volute Case	Impeller	Impeller Diameter
B60656	CW	L03482	M05217	10.00"
B60657	CCW	L04306	M05697	10.00"

Item No.	Part Description	Part Number
1	Case, Volute	See Table I
2	Impeller	See Table I
6	Shaft (Not sold separately)	See Note 2
7	Ring, Wearing (CW)	S02005
7	Ring, Wearing (CCW)	S13548
13	Ring, Packing (Set of 6)	S14022
14	Sleeve, Shaft	S05127
16	Bearing, Ball	S29895
17	Gland, Packing (See Note 1)	S04948
18	Bearing, Ball	S13271
19	Frame	H02089
26	Screw, Impeller 3/8-16x1"	S23566
32A	Key, 1/4x2-1/8"	S24255
32B	Key, 3/16x1-1/2"	S23500
35	Inner Bearing Cap	S13214
37	Outer Bearing Cap	S29308
40	Slinger, Water	M09685
51	Seal, Oil	S14763
69	Washer, Impeller	S06314
72	Ring, Thrust	S29218
119	O-Ring	S13760

Item No.	Part Description	Part Number
800A	Capscrew, Hex 1/2-13x1-1/4" (8 Req.)	S26914
800B	Bolt, Sq. Head 3/8-16x2-1/2" (2 Req.)	S23762
802	Nut, Hex 3/8-16 (2 Req.)	S23343
805A	Washer, Lock	S23036
810A	Plug, Pipe 1/4 NPT (4 Req.)	S23715
810B	Plug, Pipe 1/2 NPT	S23717
811	Fitting, Grease (3 Req.)	S23670
816	Ring, Retaining (2 Req.)	S23010

1. A two piece (split) stainless steel packing gland is available for replacement, order part number **B82468**.
2. **Shaft Replacement Kit** available for this model. Berkeley part number **B60633**. Pump Shaft sold in shaft replacement kit only.



TYPE "B" SINGLE STAGE CENTRIFUGAL PUMP Bearing Frame Mount

Section	FM
Page	60.2
Date	February 16, 2010
Supersedes 1/1/04	

CAST IRON IMPELLER

B2ERLS

Threaded Case (NPT)

Mechanical Seal Construction

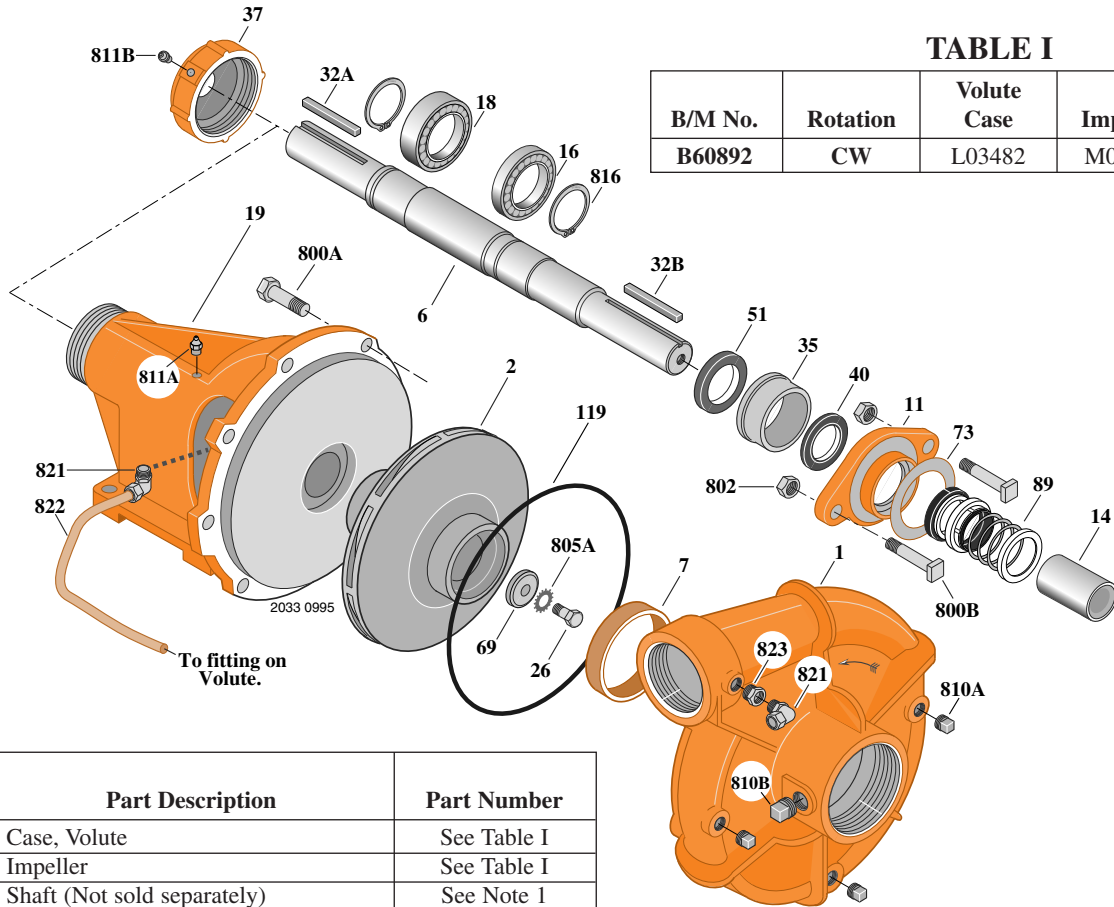


TABLE I

B/M No.	Rotation	Volute Case	Impeller	Impeller Diameter
B60892	CW	L03482	M05217	10.00"

Item No.	Part Description	Part Number
1	Case, Volute	See Table I
2	Impeller	See Table I
6	Shaft (Not sold separately)	See Note 1
7	Ring, Wearing	S02005
11	Retainer, Mechanical Shaft Seal	S05993
14	Sleeve, Shaft	S05127
16	Bearing, Ball	S13270
18	Bearing, Ball	S13271
19	Frame	H03960
26	Screw, Impeller 3/8-16x1"	S23566
32A	Key, 1/4x2-1/8"	S24255
32B	Key, 3/16x1-1/2"	S23500
35	Inner Bearing Cap	S13214
37	Outer Bearing Cap	S13059
40	Slinger, Water	M09685
51	Seal, Oil	S14763
69	Washer, Impeller	S06314
73	Gasket, Seal Retainer	S08911
89	Seal, Mechanical Shaft	S32689
119	O-Ring	S13760
800A	Capscrew, Hex 1/2-13x1-1/4" (8 Req.)	S26914
800B	Bolt, Sq. Head 3/8-16x2" (2 Req.)	S23760
802	Nut, Hex (2 Req.)	S23343
805A	Washer, Lock	S23036

Item No.	Part Description	Part Number
810A	Plug, Pipe 1/4 NPT (4 Req.)	S23715
810B	Plug, Pipe 1/2 NPT (2 Req.)	S23717
811A	Fitting, Grease	S23670
811B	Fitting, Grease (2 Req.)	S23700
816	Ring, Retaining (2 Req.)	S23010
821	Elbow, Comp. Tube (2 Req.)	S24128
822	Tubing, Copper	S20677
823	Bushing, Pipe	S24600

- Shaft Replacement Kit** available for this model. Berkeley part number **B60633**. Pump Shaft sold in shaft replacement kit only.



TYPE "B" SINGLE STAGE CENTRIFUGAL PUMP Bearing Frame Mount

Section	FM
Page	70.1
Date	February 16, 2010
Supersedes 1/1/04	

CAST IRON IMPELLER

B2ERH

Threaded Case (NPT)

Packing Construction

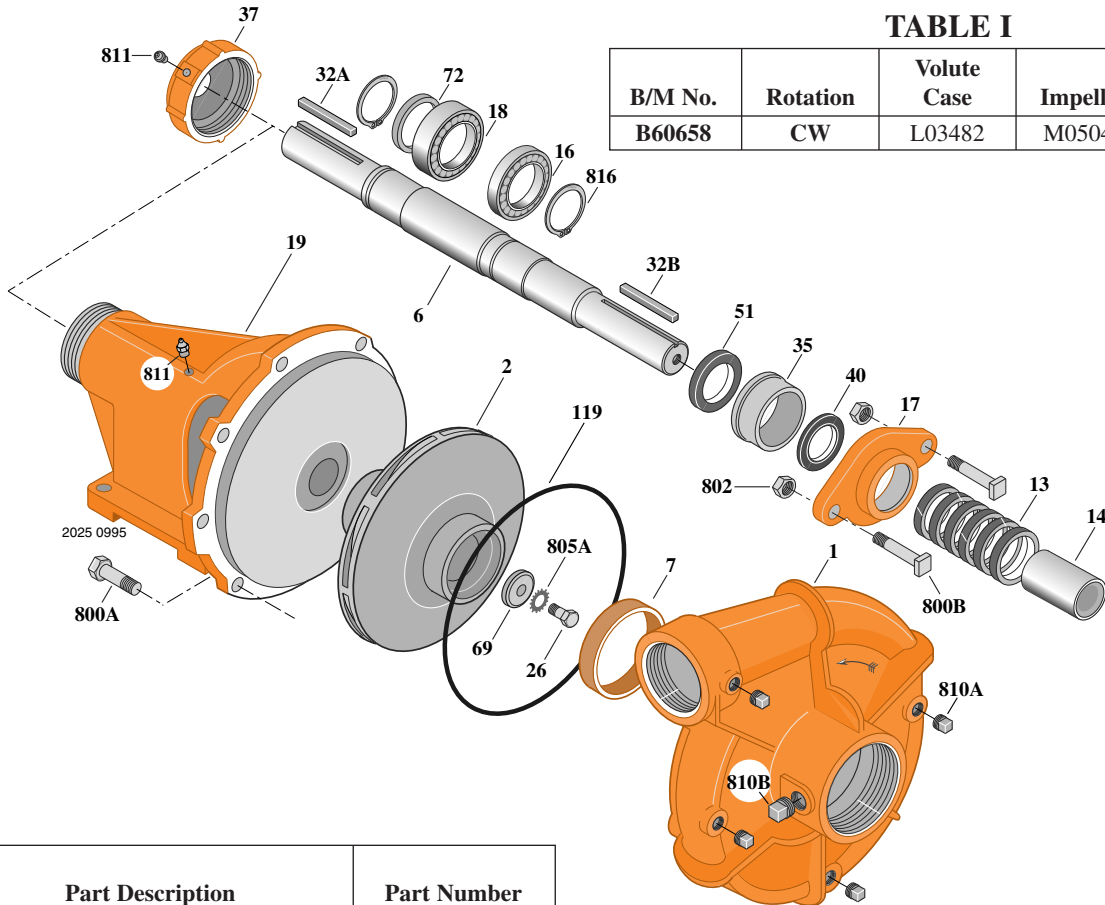


TABLE I

B/M No.	Rotation	Volute Case	Impeller	Impeller Diameter
B60658	CW	L03482	M05048	9.94"

Item No.	Part Description	Part Number
1	Case, Volute	See Table I
2	Impeller	See Table I
6	Shaft (Not sold separately)	See Note 2
7	Ring, Wearing	S00806
13	Ring, Packing (Set of 6)	S14022
14	Sleeve, Shaft	S05127
16	Bearing, Ball	S29895
17	Gland, Packing (See Note 1)	S04948
18	Bearing, Ball	S13271
19	Frame	H02089
26	Screw, Impeller 3/8-16x1"	S23566
32A	Key, 1/4x2-1/8"	S24255
32B	Key, 3/16x1-1/2"	S23500
35	Inner Bearing Cap	S13214
37	Outer Bearing Cap	S29308
40	Slinger, Water	M09685
51	Seal, Oil	S14763
69	Washer, Impeller	S06314
72	Ring, Thrust	S29218
119	O-Ring	S13760

Item No.	Part Description	Part Number
800A	Capscrew, Hex 1/2-13x1-1/4" (8 Req.)	S26914
800B	Bolt, Sq. Head 3/8-16x2-1/2" (2 Req.)	S23762
802	Nut, Hex 3/8-16 (2 Req.)	S23343
805A	Washer, Lock	S23036
810A	Plug, Pipe 1/4 NPT (4 Req.)	S23715
810B	Plug, Pipe 1/2 NPT	S23717
811	Fitting, Grease (3 Req.)	S23670
816	Ring, Retaining (2 Req.)	S23010

1. A two piece (split) stainless steel packing gland is available for replacement, order part number **B82468**.
2. **Shaft Replacement Kit** available for this model. Berkeley part number **B60633**. Pump Shaft sold in shaft replacement kit only.



TYPE "B" SINGLE STAGE CENTRIFUGAL PUMP Bearing Frame Mount

Section	FM
Page	70.2
Date	February 16, 2010
Supersedes 1/1/04	

CAST IRON IMPELLER

B2ERHS

Threaded Case (NPT)

Mechanical Seal Construction

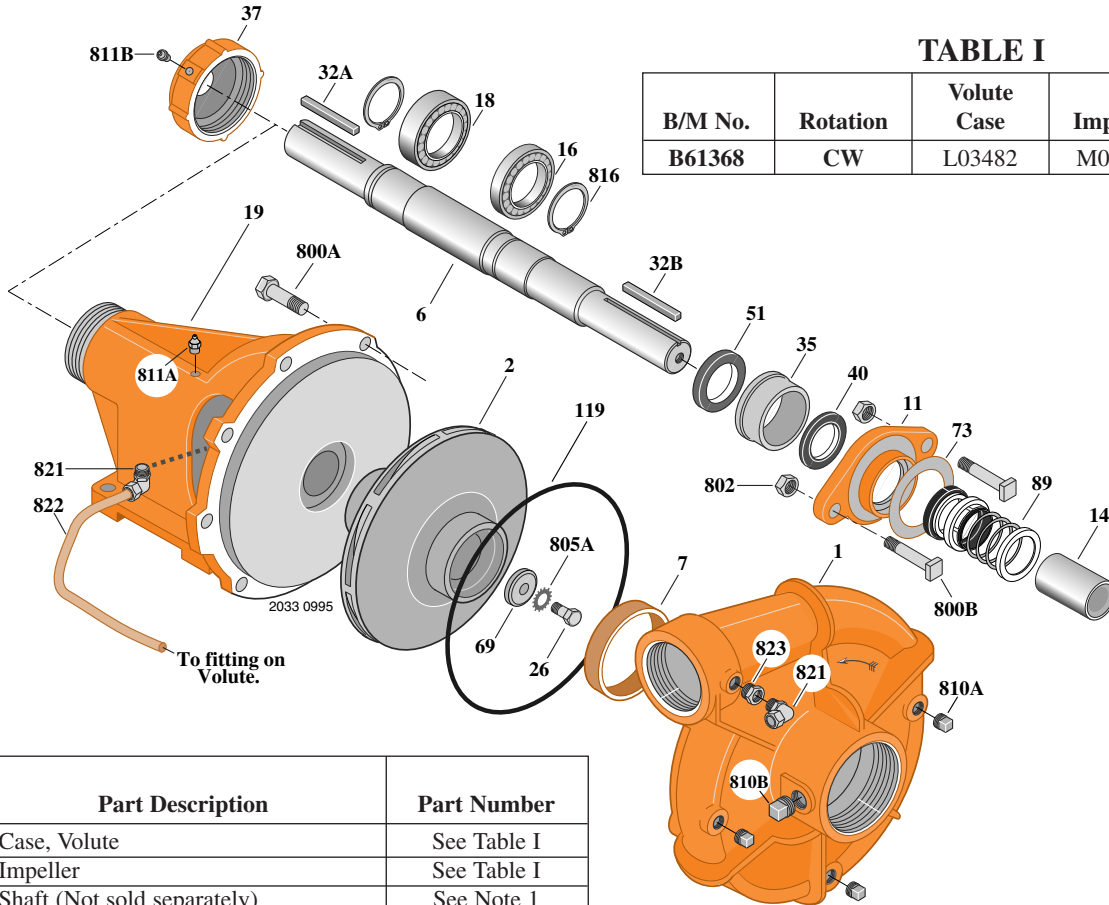


TABLE I

B/M No.	Rotation	Volute Case	Impeller	Impeller Diameter
B61368	CW	L03482	M05048	9.94"

Item No.	Part Description	Part Number
1	Case, Volute	See Table I
2	Impeller	See Table I
6	Shaft (Not sold separately)	See Note 1
7	Ring, Wearing	S00806
11	Retainer, Mechanical Shaft Seal	S05993
14	Sleeve, Shaft	S05127
16	Bearing, Ball	S13270
18	Bearing, Ball	S13271
19	Frame	H03960
26	Screw, Impeller 3/8-16x1"	S23566
32A	Key, 1/4x2-1/8"	S24255
32B	Key, 3/16x1-1/2"	S23500
35	Inner Bearing Cap	S13214
37	Outer Bearing Cap	S13059
40	Slinger, Water	M09685
51	Seal, Oil	S14763
69	Washer, Impeller	S06314
73	Gasket, Seal Retainer	S08911
89	Seal, Mechanical Shaft	S32689
119	O-Ring	S13760
800A	Capscrew, Hex 1/2-13x1-1/4" (8 Req.)	S26914
800B	Bolt, Sq. Head 3/8-16x2-1/2" (2 Req.)	S23762
802	Nut, Hex 3/8-16 (2 Req.)	S23343
805A	Washer, Lock	S23036

Item No.	Part Description	Part Number
810A	Plug, Pipe 1/4 NPT (4 Req.)	S23715
810B	Plug, Pipe 1/2 NPT	S23717
811A	Fitting, Grease	S23670
811B	Fitting, Grease (2 Req.)	S23700
816	Ring, Retaining (2 Req.)	S23010
821	Elbow, Comp. Tube (2 Req.)	S24128
822	Tubing, Copper	S20677
823	Bushing, Pipe	S24600

- Shaft Replacement Kit** available for this model. Berkeley part number **B60633**. Pump Shaft sold in shaft replacement kit only.



TYPE "B" SINGLE STAGE CENTRIFUGAL PUMP Bearing Frame Mount

Section	FM
Page	80.1
Date	January 1, 2004
Supersedes 12/1/95	

CAST IRON IMPELLER

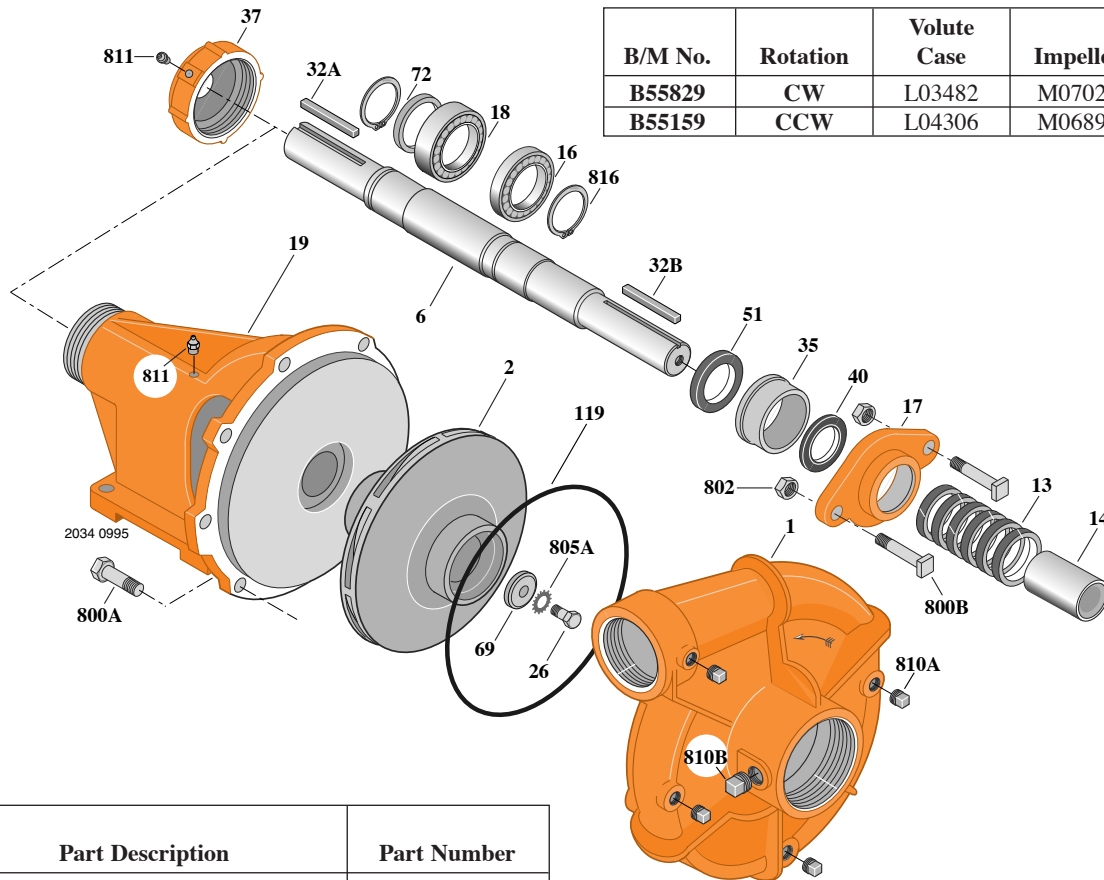
B2ERHH

Threaded Case (NPT)

Packing Construction

TABLE I

B/M No.	Rotation	Volute Case	Impeller	Impeller Diameter
B55829	CW	L03482	M07026	10.44"
B55159	CCW	L04306	M06893	10.44"



Item No.	Part Description	Part Number
1	Case, Volute	See Table I
2	Impeller	See Table I
6	Shaft (Not sold separately)	See Note 2
13	Ring, Packing (Set of 6)	S14022
14	Sleeve, Shaft	S05127
16	Bearing, Ball	S29895
17	Gland, Packing (See Note 1)	S04948
18	Bearing, Ball	S13271
19	Frame	H02089
26	Screw, Impeller 3/8-16x1"	S23566
32A	Key, 1/4x2-1/8"	S24255
32B	Key, 3/16x1-1/2"	S23500
35	Inner Bearing Cap	S13214
37	Outer Bearing Cap	S29308
40	Slinger, Water	M09685
51	Seal, Oil	S14763
69	Washer, Impeller	S06314
72	Ring, Thrust	S29218
119	O-Ring	S13760
800A	Capscrew, Hex 1/2-13x1-1/4" (8 Req.)	S26914

Item No.	Part Description	Part Number
800B	Bolt, Sq Head 3/8-16x2-1/2" (2 Req.)	S23762
802	Nut, Hex 3/8-16 (2 Req.)	S23343
805A	Washer, Lock	S23036
810A	Plug, Pipe 1/4 NPT (4 Req.)	S23715
810B	Plug, Pipe 1/2 NPT	S23717
811	Fitting, Grease (3 Req.)	S23670
816	Ring, Retaining (2 Req.)	S23010

1. A two piece (split) stainless steel packing gland is available for replacement, order part number **B82468**.
2. **Shaft Replacement Kit** available for this model. Berkeley part number **B60633**. Pump Shaft sold in shaft replacement kit only.



TYPE "B" SINGLE STAGE CENTRIFUGAL PUMP Bearing Frame Mount

Section	FM
Page	80.3
Date	January 1, 2004
Supersedes 9/1/97	

SILICON BRONZE IMPELLER

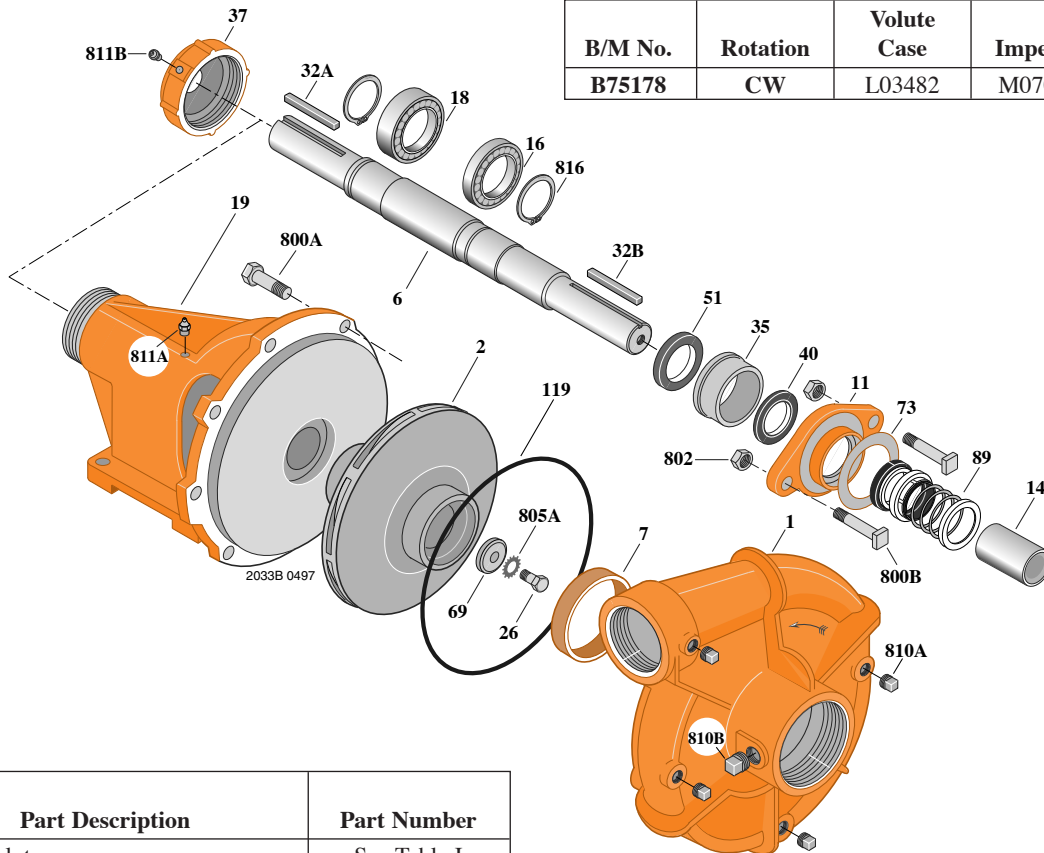
B2ERHHS

Threaded Case (NPT)

Mechanical Seal Construction

TABLE I

B/M No.	Rotation	Volute Case	Impeller	Impeller Diameter
B75178	CW	L03482	M07026	10.44"



Item No.	Part Description	Part Number
1	Case, Volute	See Table I
2	Impeller	See Table I
6	Shaft (Not sold separately)	See Note 2
7	Ring, Wearing	S02005
11	Retainer, Mechanical Shaft Seal	S05993
16	Bearing, Ball	S13270
18	Bearing, Ball	S13271
19	Frame	H03960
26	Screw, Impeller 3/8-16x1"	S23566
32A	Key, 3/16x1-1/2"	S23500
35	Inner Bearing Cap	S13214
37	Outer Bearing Cap	S13059
40	Slinger, Water	M09685
51	Seal, Oil	S14763
69	Washer, Impeller	S06314
73	Gasket, Seal Retainer	S08911
89	Seal, Mechanical Shaft	S32689
119	O-Ring	S13760
800A	Capscrew, Hex 1/2-13x1-1/4" (8 Req.)	S26914
800B	Bolt, Sq Head 3/8-16x2" (2 Req.)	S23760

Item No.	Part Description	Part Number
802	Nut, Hex 3/8-16 (2 Req.)	S23343
805A	Washer, Lock	S23036
810A	Plug, Pipe 1/4 NPT (4 Req.)	S23715
810B	Plug, Pipe 1/2 NPT	S23717
811A	Fitting, Grease	S23670
811B	Fitting, Grease	S23700
816	Ring, Retaining (2 Req.)	S23010
•	Plug, Pipe 1/8 NPT (In Bracket)	S23714

- Shaft Replacement Kit** available for this model. Berkeley part number **B60633**. Pump Shaft sold in shaft replacement kit only.

• Not illustrated.



TYPE "B" SINGLE STAGE CENTRIFUGAL PUMP Bearing Frame Mount

Section	FM
Page	90.1
Date	January 1, 2004
Supersedes 12/1/95	

CAST IRON IMPELLER

B2ERBH

Threaded Case (NPT)

Packing Construction

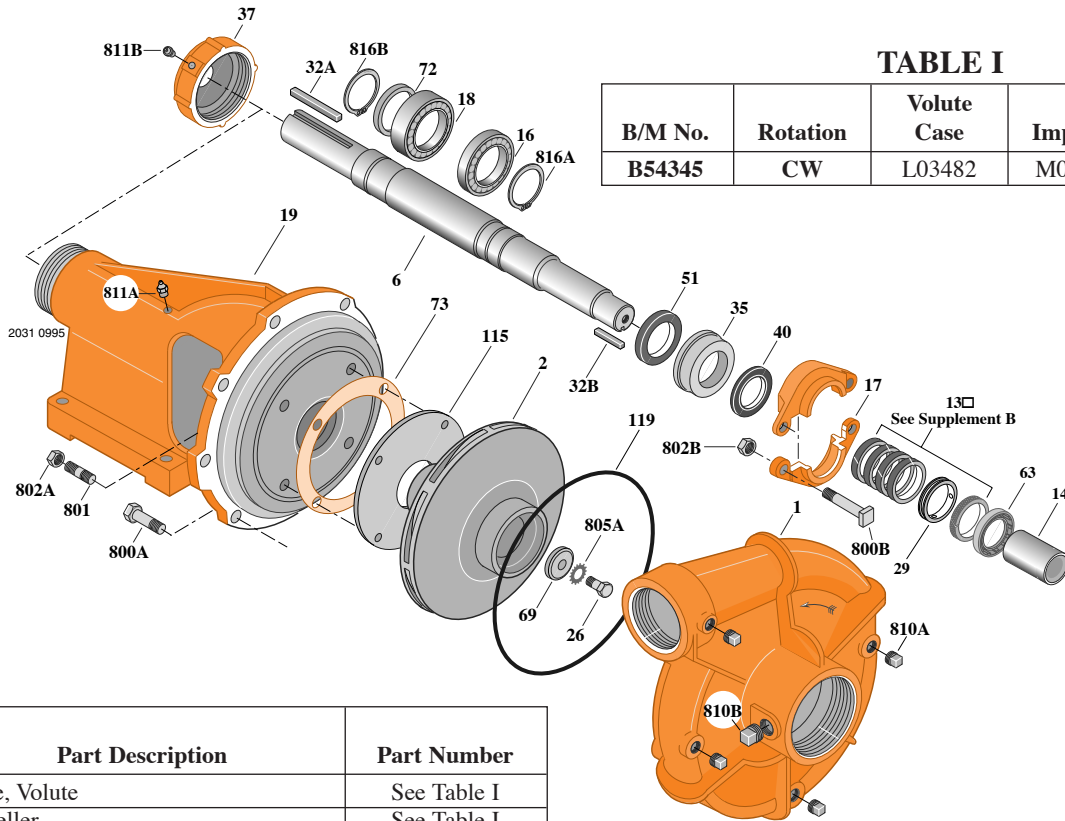


TABLE I

B/M No.	Rotation	Volute Case	Impeller	Impeller Diameter
B54345	CW	L03482	M05171	10.38"

Item No.	Part Description	Part Number
1	Case, Volute	See Table I
2	Impeller	See Table I
6	Shaft (Not sold separately)	See Note 1
13	Ring, Packing (Set of 4)	S13436
14	Sleeve, Shaft	S05974
16	Bearing, Ball	S13395
17	Gland, Packing	M13599
18	Bearing, Ball	S13754
19	Frame	H01941
26	Screw, Impeller 1/2-13x1-1/4"	S23621
29	Ring, Lantern	S18993
32A	Key, 1/2x4"	S24214
32B	Key, 1/4x1-1/2"	S24170
35	Inner Bearing Cap	S13213
37	Outer Bearing Cap	M04551
40	Slinger, Water	S10964
51	Seal, Oil	S14764
63	Bushing, Throat	S14122
69	Washer, Impeller	S06319
72	Ring, Thrust	S19221
73	Gasket, Balance Ring	S09943
115	Ring, Balance	S13840
119	O-Ring	S13760
800A	Capscrew, Hex 1/2-13x1-1/4" (8 Req.)	S26914
800B	Bolt, Sq. Head 1/2-13x2-1/2" (2 Req.)	S23793
801	Stud, 3/8-16x1-3/8" (4 Req.)	S09942

Item No.	Part Description	Part Number
802A	Nut, Hex 3/8-16 (4 Req.)	S23103
802B	Nut, Hex 1/2-13x7/16" (2 Req.)	S23347
805A	Washer, Lock	S23038
810A	Plug, Pipe 1/4 NPT (4 Req.)	S23715
810B	Plug, Pipe 1/2 NPT	S23717
811A	Fitting, Grease	S23670
811B	Fitting, Grease (3 Req.)	S23700
816A	Ring, Retaining	S23016
816B	Ring, Retaining	S23017
•	Screw, Set (Outer Bearing Cap)	S23982

• Not illustrated.

- Shaft Replacement Kit** available for this model. Berkeley part number **B60659**. Pump Shaft sold in shaft replacement kit only.



TYPE "B" SINGLE STAGE CENTRIFUGAL PUMP Bearing Frame Mount

Section	FM
Page	90.2
Date	January 1, 2004
Supersedes 12/1/95	

CAST IRON IMPELLER

B2ERBHS

Threaded Case (NPT)

Mechanical Seal Construction

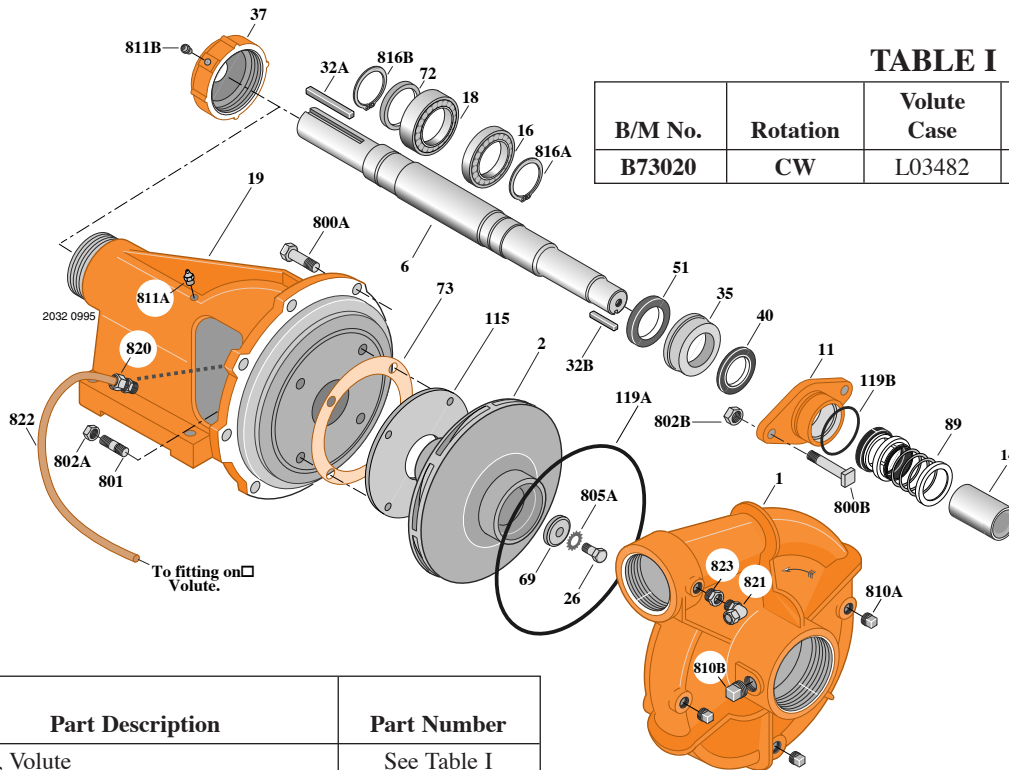


TABLE I

B/M No.	Rotation	Volute Case	Impeller	Impeller Diameter
B73020	CW	L03482	M05171	10.38"

Item No.	Part Description	Part Number
1	Case, Volute	See Table I
2	Impeller	See Table I
6	Shaft (Not sold separately)	See Note 1
11	Retainer, Mechanical Shaft Seal	S11452
14	Sleeve, Shaft	S05974
16	Bearing, Ball	S13395
18	Bearing, Ball	S13754
19	Frame	H05508
26	Screw, Impeller 1/2-13x1-1/4"	S23621
32A	Key, 1/2x4"	S24214
32B	Key, 1/4x1-1/2"	S24170
35	Inner Bearing Cap	S13213
37	Outer Bearing Cap	M04551
40	Slinger, Water	S10964
51	Seal, Oil	S14764
69	Washer, Impeller	S06319
72	Ring, Thrust	S19221
73	Gasket, Balance Ring	S09943
89	Seal, Mechanical Shaft	S32693
115	Ring, Balance	L07977
119A	O-Ring	S13760
119B	O-Ring	S24599
800A	Capscrew, Hex 1/2-13x1-1/2" (8 Req.)	S26916
800B	Bolt, Sq. Head 1/2-13x2-1/4" (2 Req.)	S23792
801	Stud, 3/8-16x1-1/4" (4 Req.)	S23994
802A	Nut, Hex 3/8-16 (4 Req.)	S23103
802B	Nut, Hex 1/2-13x7/16" (2 Req.)	S23347

Item No.	Part Description	Part Number
805A	Washer, Lock	S23038
810A	Plug, Pipe 1/4 NPT (4 Req.)	S23715
810B	Plug, Pipe 1/2 NPT (2 Req.)	S23717
811A	Fitting, Grease	S23670
811B	Fitting, Grease (2 Req.)	S23700
816A	Ring, Retaining	S23016
816B	Ring, Retaining	S23017
820	Connector, Comp. Fitting	S24013
821	Elbow, Comp. Fitting Tube	S24128
822	Tubing, Copper	S20677
823	Bushing, Pipe	S24600
•	Screw, Set (Outer Bearing Cap)	S23982

• Not illustrated.

- Shaft Replacement Kit** available for this model. Berkeley part number **B60659**. Pump Shaft sold in shaft replacement kit only.



TYPE "B" SINGLE STAGE CENTRIFUGAL PUMP Bearing Frame Mount

Section	FM
Page	100.1
Date	January 1, 2004
Supersedes 12/1/95	

CAST IRON IMPELLER

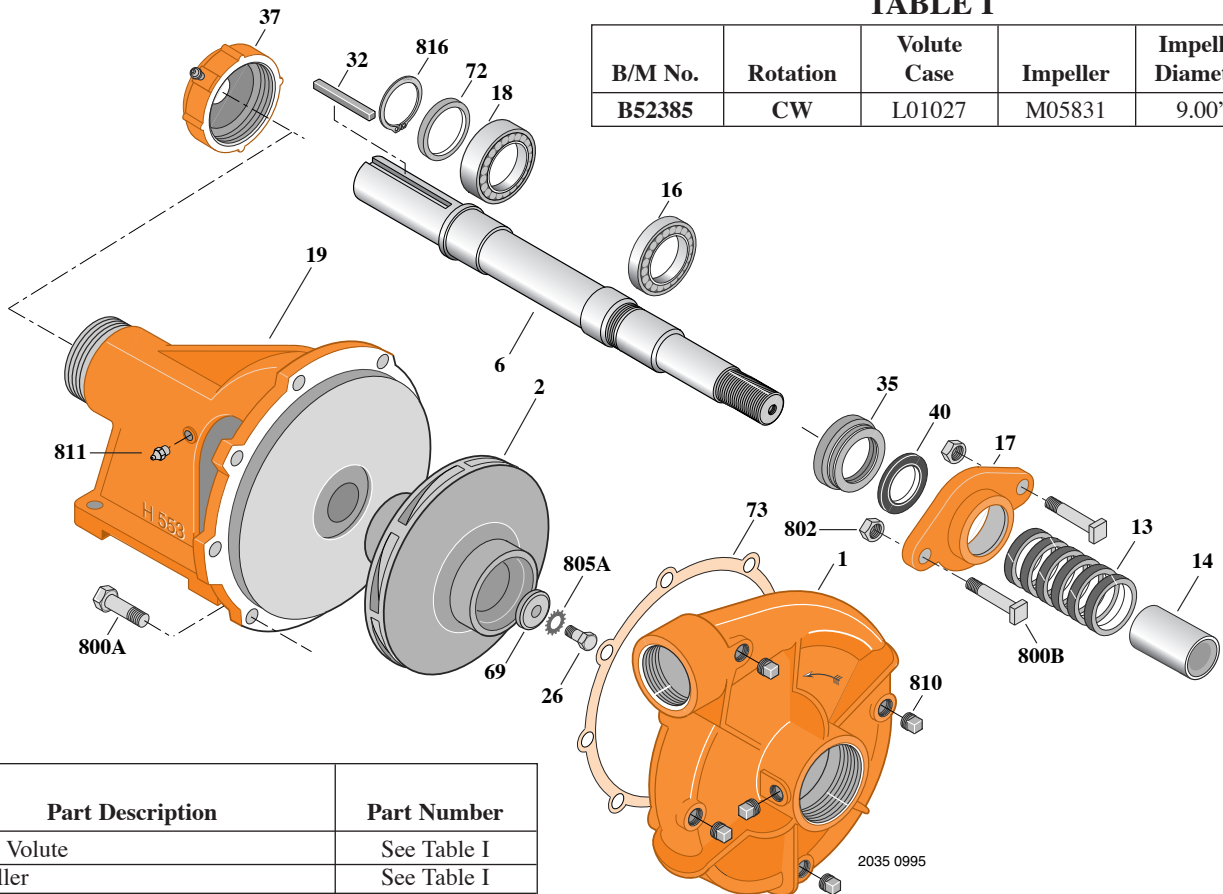
B2-1/2ZRL

Threaded Case (NPT)

Packing Construction

TABLE I

B/M No.	Rotation	Volute Case	Impeller	Impeller Diameter
B52385	CW	L01027	M05831	9.00"



Item No.	Part Description	Part Number
1	Case, Volute	See Table I
2	Impeller	See Table I
6	Shaft (Not sold separately)	See Note 2
13	Ring, Packing (Set of 6)	S14022
14	Sleeve, Shaft	S05127
16	Bearing, Ball	S13270
17	Gland, Packing (See Note 1)	S04948
18	Bearing, Ball	S13271
19	Frame	H00553
26	Screw, Impeller 3/8-16x1"	S23566
32	Key, 1/4x2-1/8"	S24255
35	Inner Bearing Cap	S19033
37	Outer Bearing Cap Assembly*	S19914
40	Slinger, Water	S12260
69	Washer, Impeller	S06314
72	Ring, Thrust	S29218
73	Gasket, Volute	S05126
800A	Capscrew, Hex 3/8-16x7/8" (8 Req.)	S26825
800B	Bolt, Sq. Head 3/8-16x2-1/2" (2 Req.)	S23762
802	Nut, Hex 3/8-16 (2 Req.)	S23343

Item No.	Part Description	Part Number
805A	Washer, Lock	S23036
810	Plug, Pipe 1/4 NPT (5 Req.)	S23715
811	Fitting, Grease	S23670
816	Ring, Retaining	S23010

1. A two piece (split) stainless steel packing gland is available for replacement, order part number **B82468**.
2. **Shaft Replacement Kit** available for this model. Berkeley part number **B82184**. Pump Shaft sold in shaft replacement kit only.

* Includes grease fitting and set screw.



TYPE "B" SINGLE STAGE CENTRIFUGAL PUMP Bearing Frame Mount

Section	FM
Page	100.2
Date	January 1, 2004
Supersedes 12/1/95	

CAST IRON IMPELLER

B2-1/2ZRLS

Threaded Case (NPT)

Mechanical Seal Construction

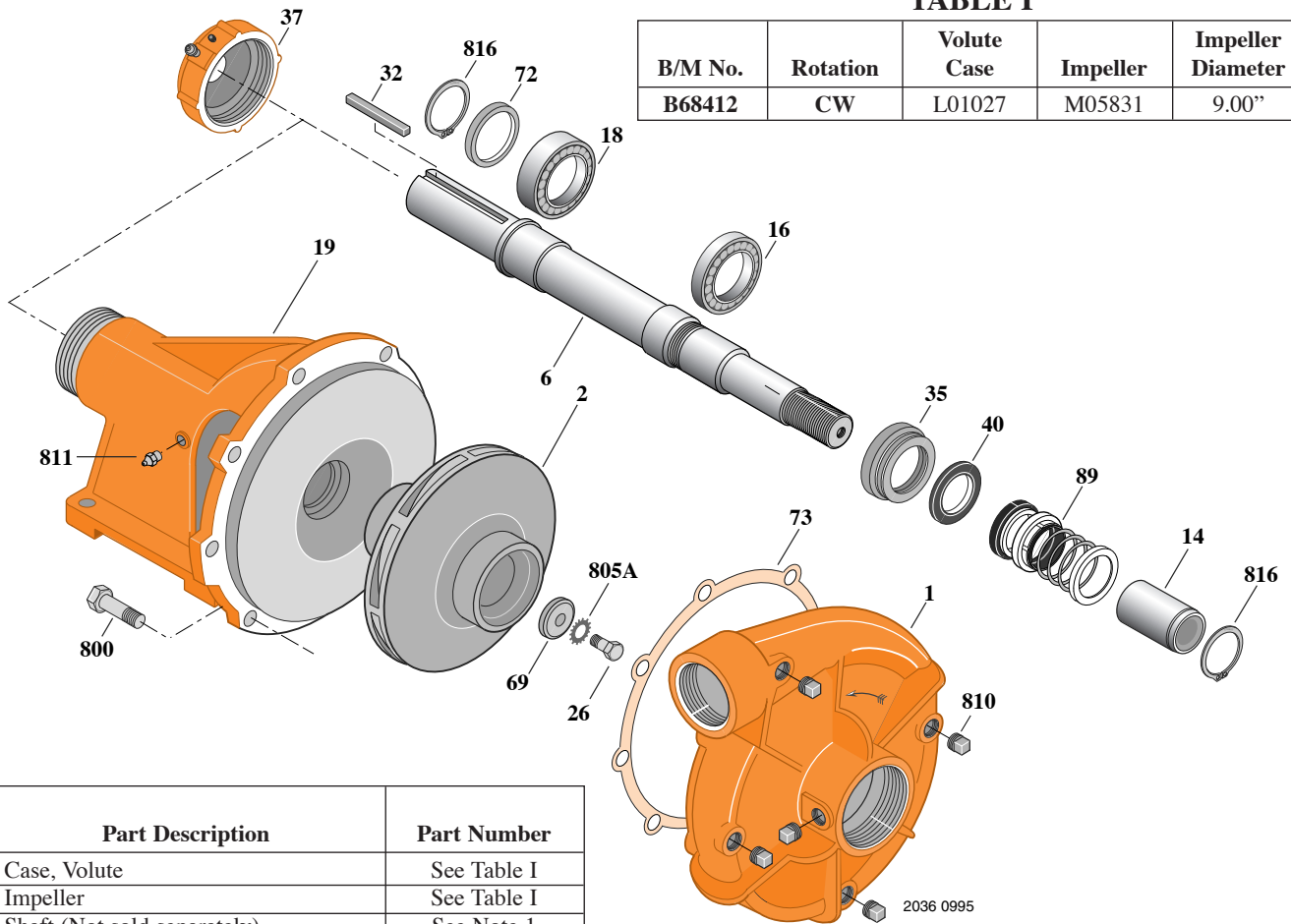


TABLE I

B/M No.	Rotation	Volute Case	Impeller	Impeller Diameter
B68412	CW	L01027	M05831	9.00"

Item No.	Part Description	Part Number
1	Case, Volute	See Table I
2	Impeller	See Table I
6	Shaft (Not sold separately)	See Note 1
14	Sleeve, Shaft	S39242
16	Bearing, Ball	S13270
18	Bearing, Ball	S13271
19	Frame	H04007
26	Screw, Impeller 3/8-16x1"	S23566
32	Key, 1/4x2-1/8"	S24255
35	Inner Bearing Cap	S19033
37	Outer Bearing Cap Assembly*	S19914
40	Slinger, Water	S12260
69	Washer, Impeller	S06314
72	Ring, Thrust	S29218
73	Gasket, Volute	S05126
89	Seal, Mechanical Shaft	S32690
800	Capscrew, Hex 3/8-16x7/8" (8 Req.)	S26825
805A	Washer, Lock	S23036
810	Plug, Pipe 1/4 NPT (5 Req.)	S23715

Item No.	Part Description	Part Number
811	Fitting, Grease	S23670
816	Ring, Retaining	S23009
816	Ring, Retaining	S23010

- Shaft Replacement Kit** available for this model. Berkeley part number **B75299**. Pump Shaft sold in shaft replacement kit only.

* Includes grease fitting and set screw.



TYPE "B" SINGLE STAGE CENTRIFUGAL PUMP Bearing Frame Mount

Section	FM
Page	100.3
Date	January 1, 2004
Supersedes/New	

BRONZE IMPELLER

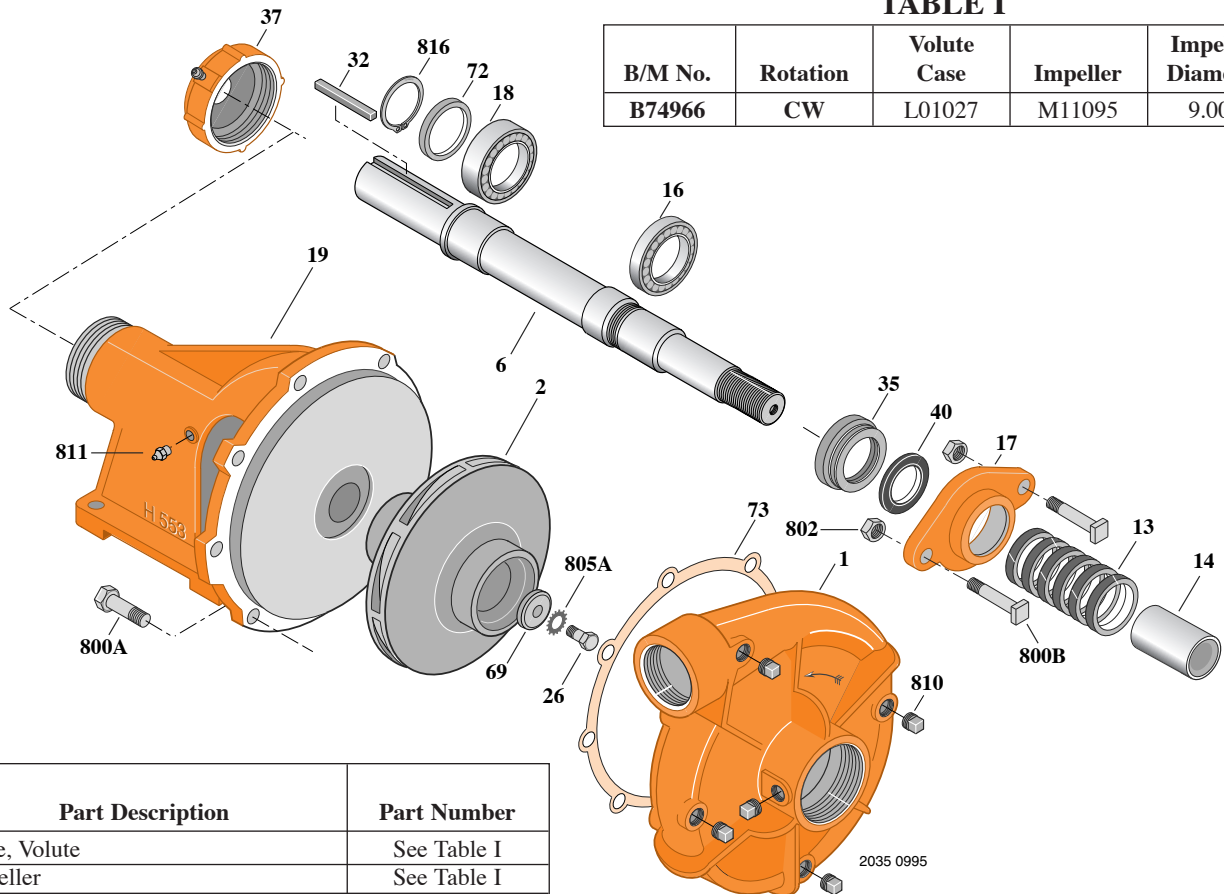
B2-1/2ZRL

Threaded Case (NPT)

Packing Construction

TABLE I

B/M No.	Rotation	Volute Case	Impeller	Impeller Diameter
B74966	CW	L01027	M11095	9.00"



Item No.	Part Description	Part Number
1	Case, Volute	See Table I
2	Impeller	See Table I
6	Shaft (Not sold separately)	See Note 2
13	Ring, Packing (Set of 6)	S14022
14	Sleeve, Shaft	S05127
16	Bearing, Ball	S13270
17	Gland, Packing (See Note 1)	S04948
18	Bearing, Ball	S13271
19	Frame	H00553
26	Screw, Impeller 3/8-16x1"	S23566
32	Key, 1/4x2-1/8"	S24255
35	Inner Bearing Cap	S19033
37	Outer Bearing Cap Assembly*	S19914
40	Slinger, Water	S12260
69	Washer, Impeller	S06314
72	Ring, Thrust	S29218
73	Gasket, Volute	S05126
800A	Capscrew, Hex 3/8-16x7/8" (8 Req.)	S26825
800B	Bolt, Sq. Head 3/8-16x2-1/2" (2 Req.)	S23762
802	Nut, Hex 3/8-16 (2 Req.)	S23343

Item No.	Part Description	Part Number
805A	Washer, Lock	S23036
810	Plug, Pipe 1/4 NPT (5 Req.)	S23715
811	Fitting, Grease	S23670
816	Ring, Retaining	S23010

1. A two piece (split) stainless steel packing gland is available for replacement, order part number **B82468**.
2. **Shaft Replacement Kit** available for this model. Berkeley part number **B82184**. Pump Shaft sold in shaft replacement kit only.

* Includes grease fitting and set screw.



TYPE "B" SINGLE STAGE CENTRIFUGAL PUMP Bearing Frame Mount

Section	FM
Page	110.1
Date	January 1, 2004
Supersedes 12/1/95	

CAST IRON IMPELLER

B2-1/2ZRM

Threaded Case (NPT)

Packing Construction

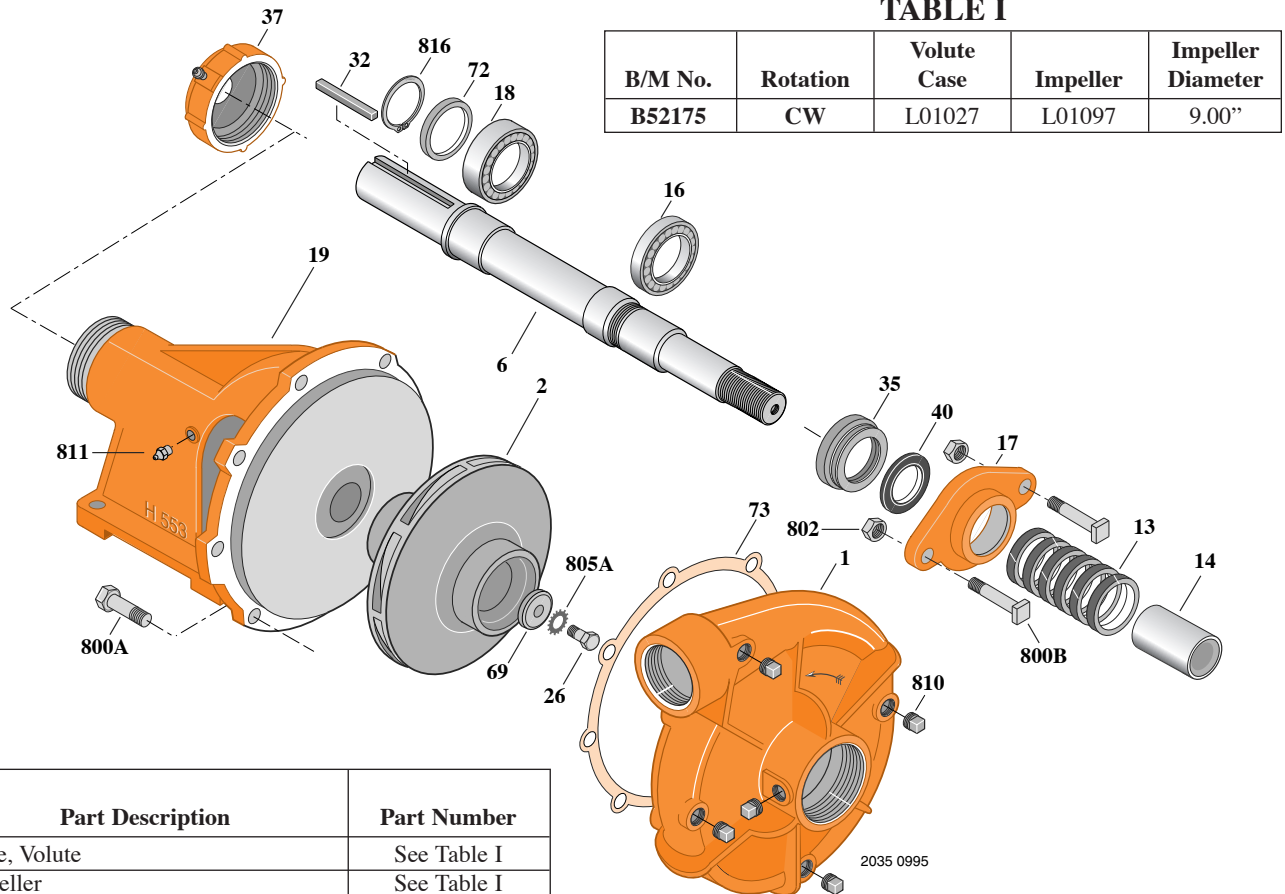


TABLE I

B/M No.	Rotation	Volute Case	Impeller	Impeller Diameter
B52175	CW	L01027	L01097	9.00"

Item No.	Part Description	Part Number
1	Case, Volute	See Table I
2	Impeller	See Table I
6	Shaft (Not sold separately)	See Note 2
13	Ring, Packing (Set of 6)	S14022
14	Sleeve, Shaft	S05127
16	Bearing, Ball	S13270
17	Gland, Packing (See Note 1)	S04948
18	Bearing, Ball	S13271
19	Frame	H00553
26	Capscrew, Hex 3/8-16x1"	S23566
32	Key, 1/4x2-1/8"	S24255
35	Inner Bearing Cap	S19033
37	Outer Bearing Cap Assembly*	S19914
40	Slinger, Water	S12260
69	Washer, Impeller	S06314
72	Ring, Thrust	S29218
73	Gasket, Volute	S05126
800A	Capscrew, Hex 3/8-16x7/8" (8 Req.)	S26825
800B	Bolt, Sq. Head 3/8-16x2-1/2" (2 Req.)	S23762
802	Nut, Hex 3/8-16 (2 Req.)	S23343

Item No.	Part Description	Part Number
805A	Washer, Lock	S23036
810	Plug, Pipe 1/4 NPT (5 Req.)	S23715
811	Fitting, Grease	S23670
816	Ring, Retaining	S23010

1. A two piece (split) stainless steel packing gland is available for replacement, order part number **B82468**.
2. **Shaft Replacement Kit** available for this model. Berkeley part number **B82184**. Pump Shaft sold in shaft replacement kit only.

* Includes grease fitting and set screw.



TYPE "B" SINGLE STAGE CENTRIFUGAL PUMP Bearing Frame Mount

Section	FM
Page	110.2
Date	January 1, 2004
Supersedes 12/1/95	

CAST IRON IMPELLER

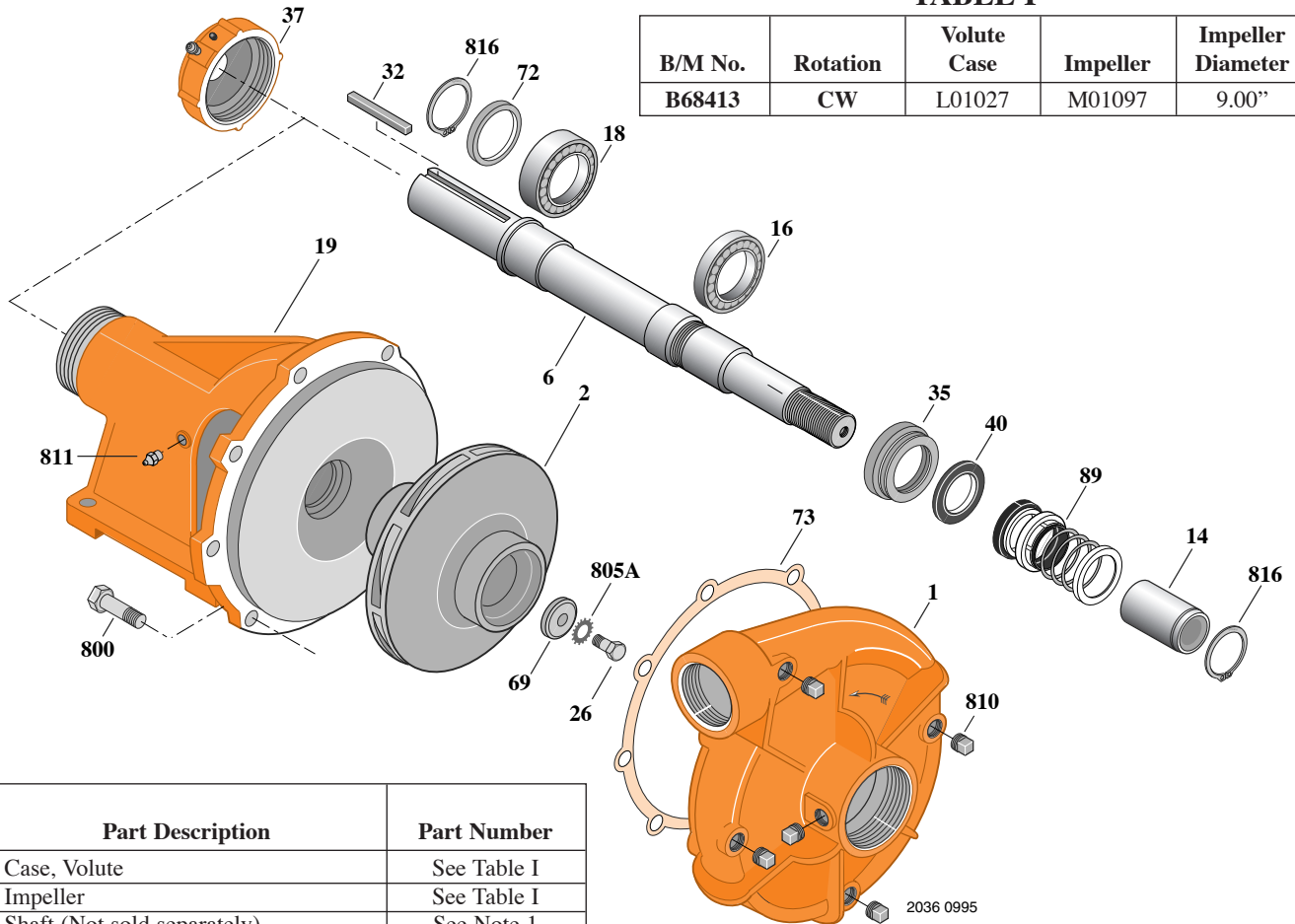
B2-1/2ZRMS

Threaded Case (NPT)

Mechanical Seal Construction

TABLE I

B/M No.	Rotation	Volute Case	Impeller	Impeller Diameter
B68413	CW	L01027	M01097	9.00"



Item No.	Part Description	Part Number
1	Case, Volute	See Table I
2	Impeller	See Table I
6	Shaft (Not sold separately)	See Note 1
14	Sleeve, Shaft	S39242
16	Bearing, Ball	S13270
18	Bearing, Ball	S13271
19	Frame	H04007
26	Screw, Impeller 3/8-16x1"	S23566
32	Key, 1/4x2-1/8"	S24255
35	Inner Bearing Cap	S19033
37	Outer Bearing Cap Assembly*	S19914
40	Slinger, Water	S12260
69	Washer, Impeller	S06314
72	Ring, Thrust	S29218
73	Gasket, Volute	S05126
89	Seal, Mechanical Shaft	S32690
800	Capscrew, Hex 3/8-16x7/8" (8 Req.)	S26825
805A	Washer, Lock	S23036
810	Plug, Pipe 1/4 NPT (5 Req.)	S23715

Item No.	Part Description	Part Number
811	Fitting, Grease	S23670
816	Ring, Retaining	S23010
816	Ring, Retaining	S23009

2. **Shaft Replacement Kit** available for this model. Berkeley part number **B75299**. Pump Shaft sold in shaft replacement kit only.

* Includes grease fitting and set screw.



TYPE "B" SINGLE STAGE CENTRIFUGAL PUMP Bearing Frame Mount

Section	FM
Page	120.1
Date	January 1, 2004
Supersedes 12/1/95	

CAST IRON IMPELLER

B2-1/2JRMBM

Threaded Case (NPT)

Packing Construction

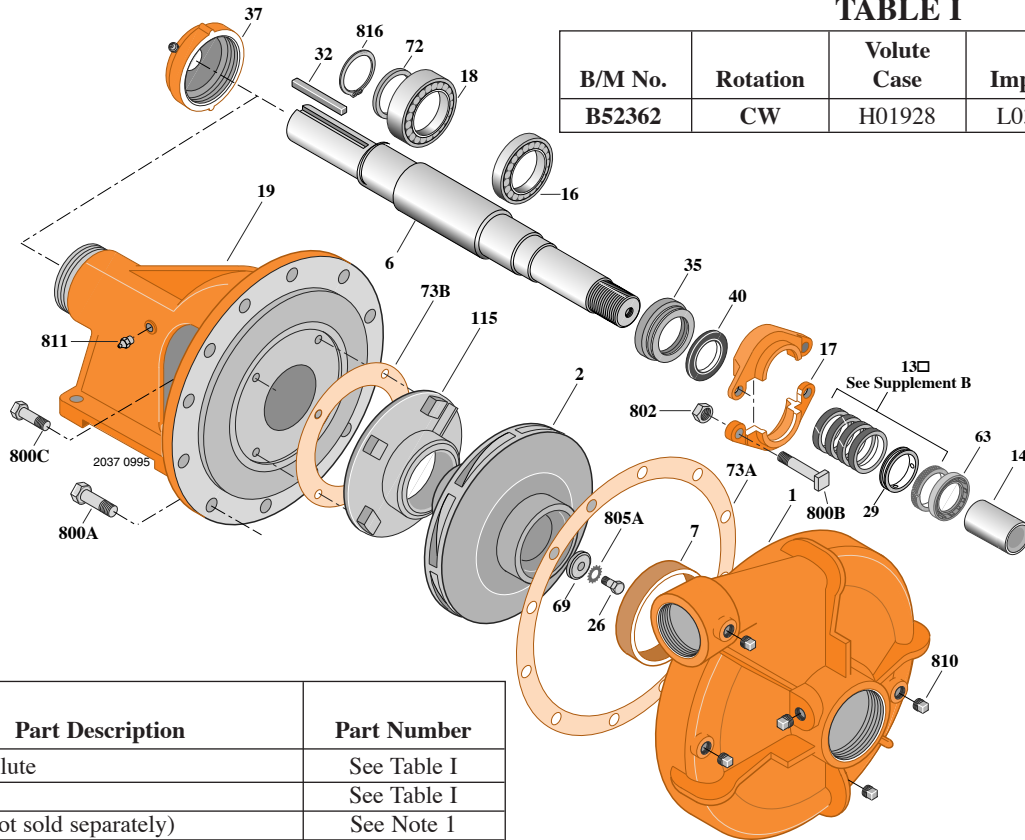


TABLE I

B/M No.	Rotation	Volute Case	Impeller	Impeller Diameter
B52362	CW	H01928	L03039	13.50"

Item No.	Part Description	Part Number
1	Case, Volute	See Table I
2	Impeller	See Table I
6	Shaft (Not sold separately)	See Note 1
7	Ring, Wearing	S04176
13	Ring, Packing (Set of 4)	S13436
14	Sleeve, Shaft	S05974
16	Bearing, Ball	S15604
17	Gland, Packing	B82472
18	Bearing, Ball	S13396
19	Frame	H01599
26	Screw, Impeller 1/2-13x1-1/2"	S23623
29	Ring, Lantern	S18993
32	Key, 1/2x4"	S24214
35	Inner Bearing Cap	S05928
37	Outer Bearing Cap Assembly*	S35277
40	Slinger, Water	S10964
63	Bushing, Throat	S18992
69	Washer, Impeller	S06319
72	Ring, Thrust	S06519
73A	Gasket, Volute	S06271
73B	Gasket, Balance Ring	S09943
115	Ring, Balance	M05115
800A	Capscrew, Hex 5/8-11x1-1/2"(12 Req.)	S26999

Item No.	Part Description	Part Number
800B	Bolt, Sq. Head 1/2-13x2-3/4" (2 Req.)	S23794
800C	Capscrew, Hex 3/8-16x1" (4 Req.)	S26826
802	Nut, Hex 1/2-13x7/16" (2 Req.)	S23347
805A	Washer, Lock	S23038
810	Plug, Pipe 1/2 NPT (6 Req.)	S23717
811	Fitting, Grease	S23670
816	Ring, Retaining	S23016
•	Fitting, Grease (Packing Area)	S23702

• Not illustrated.

- Shaft Replacement Kit** available for this model. Berkeley part number **B07596**. Pump Shaft sold in shaft replacement kit only.

* Includes two (2) grease fittings.



TYPE "B" SINGLE STAGE CENTRIFUGAL PUMP Bearing Frame Mount

Section	FM
Page	120.2
Date	January 1, 2004
Supersedes 12/1/95	

CAST IRON IMPELLER

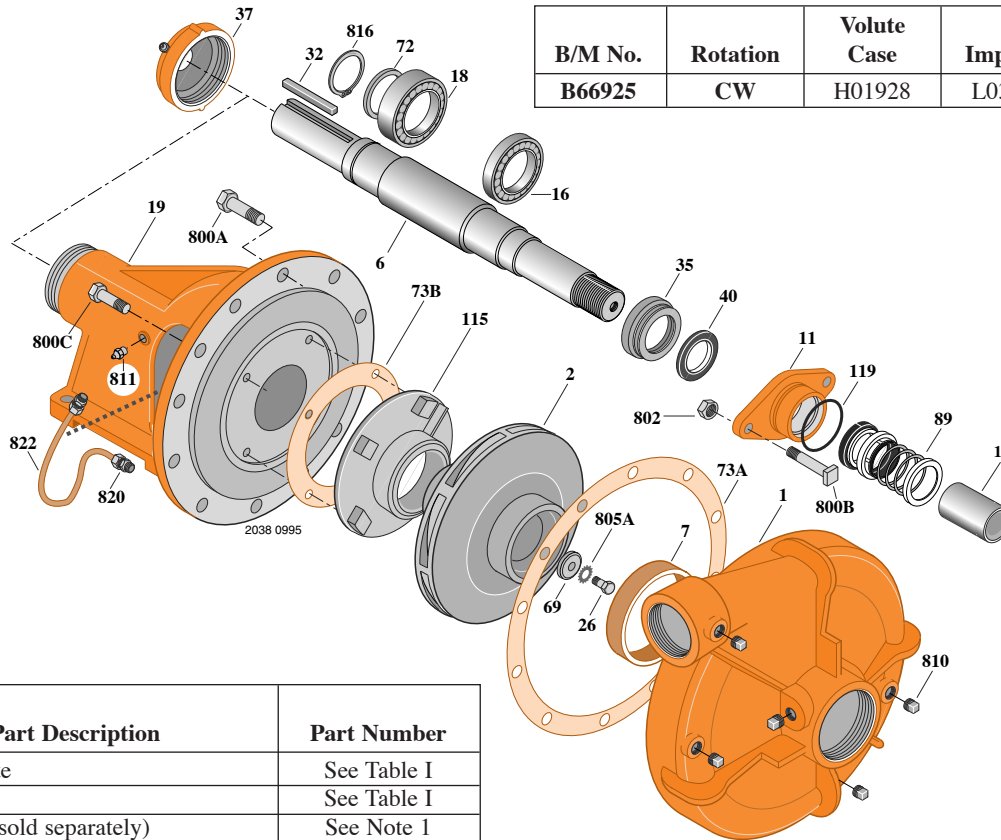
B2-1/2JRMBMS

Threaded Case (NPT)

Mechanical Seal Construction

TABLE I

B/M No.	Rotation	Volute Case	Impeller	Impeller Diameter
B66925	CW	H01928	L03039	13.50"



Item No.	Part Description	Part Number
1	Case, Volute	See Table I
2	Impeller	See Table I
6	Shaft (Not sold separately)	See Note 1
7	Ring, Wearing	S04176
11	Retainer, Mechanical Shaft Seal	S11452
14	Sleeve, Shaft	S05974
16	Bearing, Ball	S15604
18	Bearing, Ball	S13396
19	Frame	H01838
26	Screw, Impeller 1/2-13x1-1/2"	S23623
32	Key, 1/2x4"	S24214
35	Inner Bearing Cap	S05928
37	Outer Bearing Cap Assembly*	S35277
40	Slinger, Water	S10964
69	Washer, Impeller	S06319
72	Ring, Thrust	S06519
73A	Gasket, Volute	S06271
73B	Gasket, Balance Ring	S09943
89	Seal, Mechanical Shaft	S32693
115	Ring, Balance	M05073
119	O-Ring	S26471
800A	Capscrew, Hex 5/8-11x1-1/2"(12 Req.)	S26999

Item No.	Part Description	Part Number
800B	Bolt, Sq. Head 1/2-13x2-1/4" (2 Req.)	S23792
800C	Capscrew, Hex 3/8-16x1" (4 Req.)	S26826
802	Nut, Hex 1/2-13x7/16" (2 Req.)	S23347
805A	Washer, Lock	S23038
810	Plug, Pipe 1/2 NPT (6 Req.)	S23717
811	Fitting, Grease	S23670
816	Ring, Retaining	S23016
820	Connector, Comp. Fitting (2 Req.)	S24013
822	Tubing, Copper	S20677

- Shaft Replacement Kit** available for this model. Berkeley part number **B07596**. Pump Shaft sold in shaft replacement kit only.

* Includes two (2) grease fittings.



TYPE "B" SINGLE STAGE CENTRIFUGAL PUMP Bearing Frame Mount

Section	FM
Page	130.1
Date	January 1, 2004
Supersedes 12/1/95	

CAST IRON IMPELLER

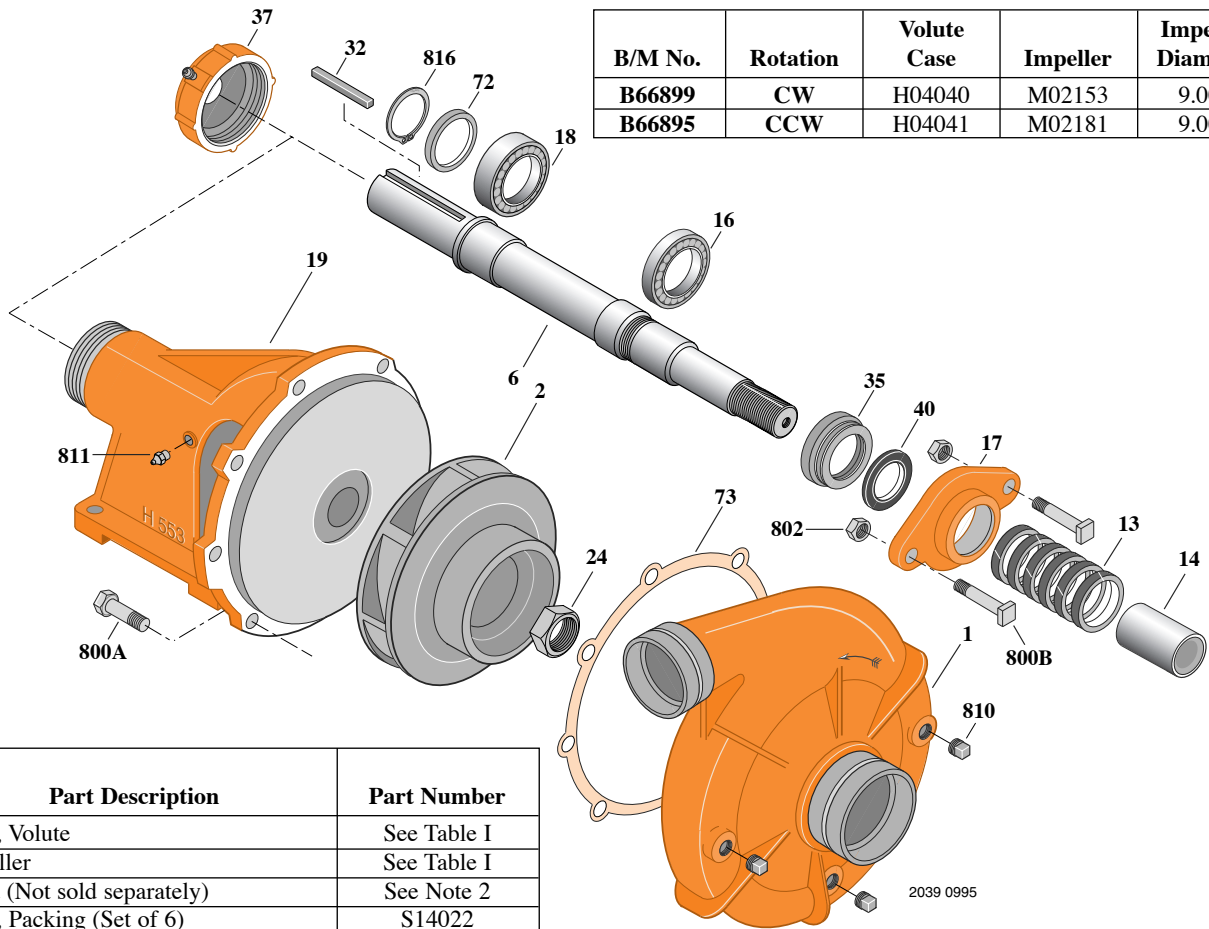
B3ZRM

Victaulic Case

Packing Construction

TABLE I

B/M No.	Rotation	Volute Case	Impeller	Impeller Diameter
B66899	CW	H04040	M02153	9.00"
B66895	CCW	H04041	M02181	9.00"



Item No.	Part Description	Part Number
1	Case, Volute	See Table I
2	Impeller	See Table I
6	Shaft (Not sold separately)	See Note 2
13	Ring, Packing (Set of 6)	S14022
14	Sleeve, Shaft	S05127
16	Bearing, Ball	S13270
17	Gland, Packing (See Note 1)	S04948
18	Bearing, Ball	S13271
19	Frame	H00553
24	Locknut, Impeller (CW)	M10220
24	Locknut, Impeller (CCW)	U36-189SS
32	Key, 1/4x2-1/8"	S24255
35	Inner Bearing Cap	S19033
37	Outer Bearing Cap Assembly*	S19914
40	Slinger, Water	S12260
72	Ring, Thrust	S29218
73	Gasket, Volute	S05126
800A	Capscrew, Hex 3/8-16x7/8" (8 Req.)	S26825
800B	Bolt, Sq. Head 3/8-16x2-1/2" (2 Req.)	S23762
802	Nut, Hex 3/8-16 (2 Req.)	S23343

Item No.	Part Description	Part Number
810	Plug, Pipe 1/4 NPT (3 Req.)	S23715
811	Fitting, Grease	S23670
816	Ring, Retaining	S23010

1. A two piece (split) stainless steel packing gland is available for replacement, order part number **B82468**.
2. **Shaft Replacement Kit** available for this model. Berkeley part number **B80698** for CW, **B80696** for CCW. Pump Shaft sold in shaft replacement kit only.

* Includes grease fitting and set screw.



TYPE "B" SINGLE STAGE CENTRIFUGAL PUMP Bearing Frame Mount

Section	FM
Page	130.2
Date	January 1, 2004
Supersedes 12/1/95	

CAST IRON IMPELLER

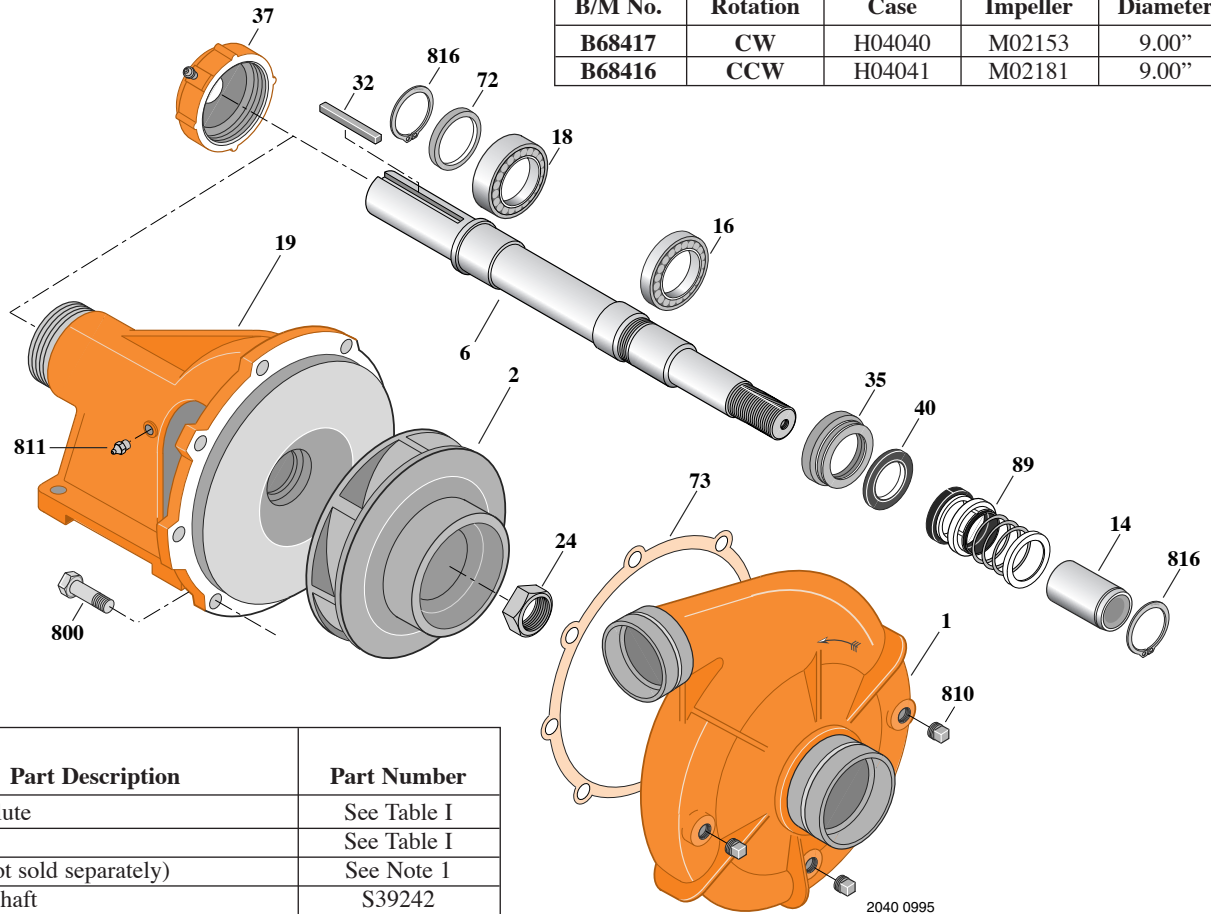
B3ZRMS

Victaulic Case

Mechanical Seal Construction

TABLE I

B/M No.	Rotation	Volute Case	Impeller	Impeller Diameter
B68417	CW	H04040	M02153	9.00"
B68416	CCW	H04041	M02181	9.00"



Item No.	Part Description	Part Number
1	Case, Volute	See Table I
2	Impeller	See Table I
6	Shaft (Not sold separately)	See Note 1
14	Sleeve, Shaft	S39242
16	Bearing, Ball	S13270
18	Bearing, Ball	S13271
19	Frame	H04007
24	Locknut, Impeller (CW)	M10220
24	Locknut, Impeller (CCW)	U36-189SS
32	Key, 1/4x2-1/8"	S24255
35	Inner Bearing Cap	S19033
37	Outer Bearing Cap Assembly*	S19914
40	Slinger, Water	S12260
72	Ring, Thrust	S29218
73	Gasket, Volute	S05126
89	Seal, Mechanical Shaft	S32690
800	Capscrew, Hex 3/8-16x7/8" (8 Req.)	S26825
810	Plug, Pipe 1/4 NPT (3 Req.)	S23715
811	Fitting, Grease	S23670

Item No.	Part Description	Part Number
816	Ring, Retaining	S23009
816	Ring, Retaining	S23010

- Shaft Replacement Kit** available for this model. Berkeley part number **B80699** for CW, **B80697** for CCW. Pump Shaft sold in shaft replacement kit only.

* Includes grease fitting and set screw.



TYPE "B" SINGLE STAGE CENTRIFUGAL PUMP Bearing Frame Mount

Section	FM
Page	130.3
Date	January 1, 2004
Supersedes 12/1/95	

CAST IRON IMPELLER

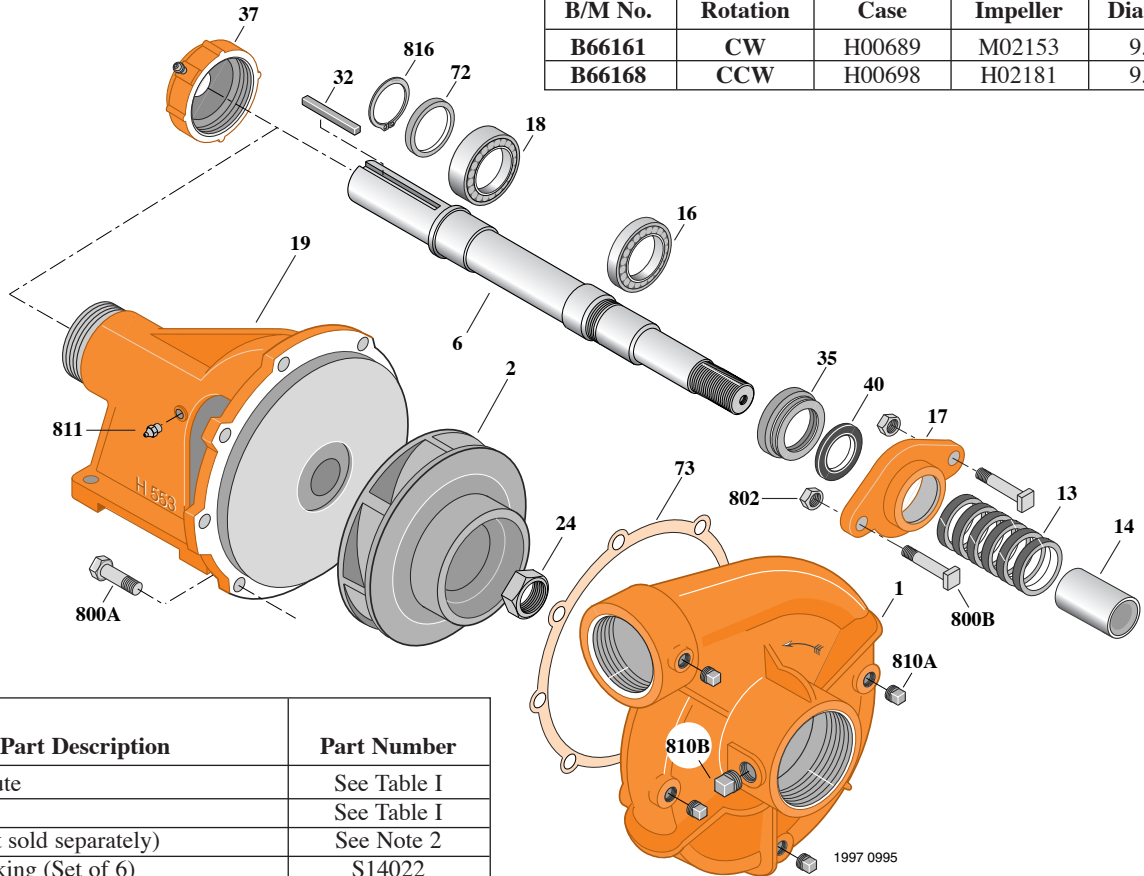
B3ZRM

Threaded Case (NPT)

Packing Construction

TABLE I

B/M No.	Rotation	Volute Case	Impeller	Impeller Diameter
B66161	CW	H00689	M02153	9.00"
B66168	CCW	H00698	H02181	9.00"



Item No.	Part Description	Part Number
1	Case, Volute	See Table I
2	Impeller	See Table I
6	Shaft (Not sold separately)	See Note 2
13	Ring, Packing (Set of 6)	S14022
14	Sleeve, Shaft	S05127
16	Bearing, Ball	S13270
17	Gland, Packing (See Note 1)	S04948
18	Bearing, Ball	S13271
19	Frame	H00553
24	Locknut, Impeller (CW)	M10220
24	Locknut, Impeller (CCW)	U36-189SS
32	Key, 1/4x2-1/8"	S24255
40	Slinger, Water	S12260
35	Inner Bearing Cap	S19033
37	Outer Bearing Cap Assembly*	S19914
72	Ring, Thrust	S29218
73	Gasket, Volute	S05126
800A	Capscrew, Hex 3/8-16x1" (8 Req.)	S26826
800B	Bolt, Sq. Head 3/8-16x2-1/2" (2 Req.)	S23762
802	Nut, Hex 3/8-16 (2 Req.)	S23343

Item No.	Part Description	Part Number
810A	Plug, Pipe 1/4 NPT (4 Req.)	S23715
810B	Plug, Pipe 1/2 NPT	S23717
811	Fitting, Grease	S23670
816	Ring, Retaining	S23010

1. A two piece (split) stainless steel packing gland is available for replacement, order part number **B82468**.
2. **Shaft Replacement Kit** available for this model. Berkeley part number **B80698** for CW, **B80696** for CCW. Pump Shaft sold in shaft replacement kit only.

* Includes grease fitting and set screw.



TYPE "B" SINGLE STAGE CENTRIFUGAL PUMP Bearing Frame Mount

Section	FM
Page	130.4
Date	January 1, 2004
Supersedes 12/1/95	

CAST IRON IMPELLER

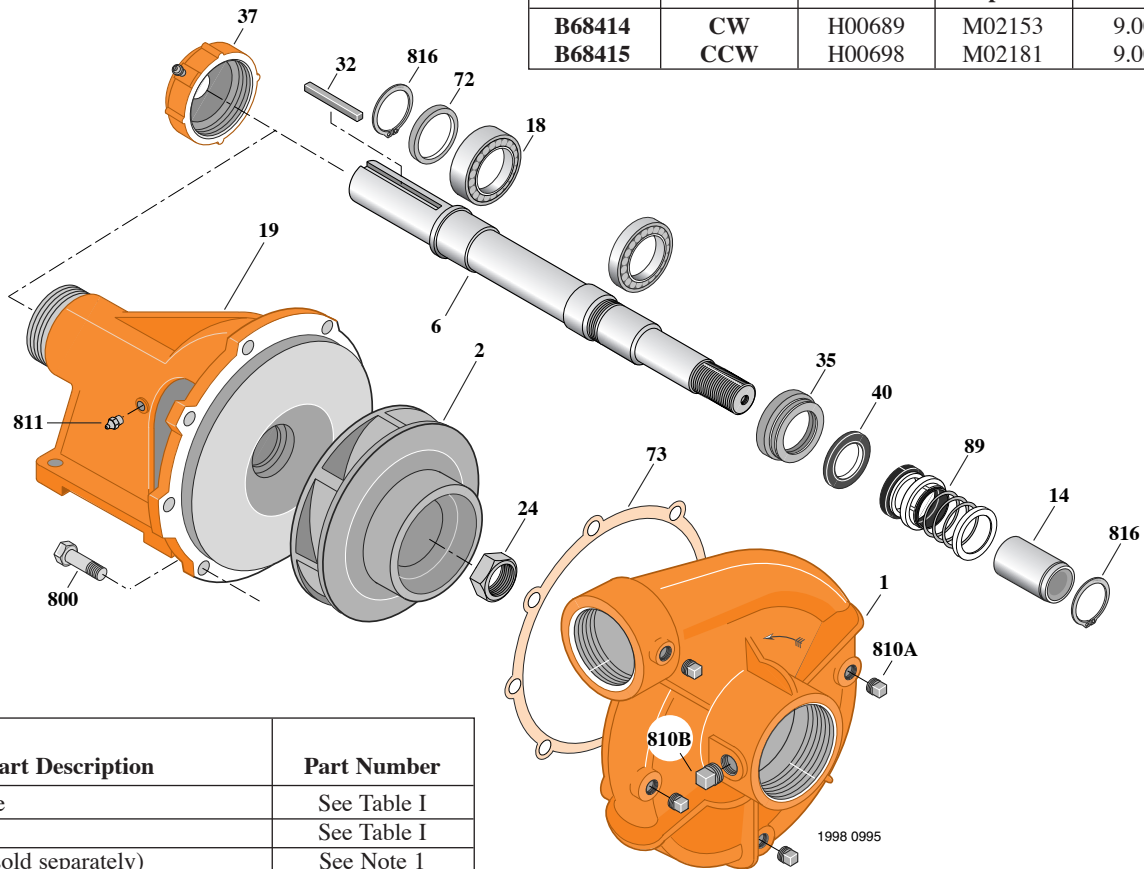
B3ZRMS

Threaded Case (NPT)

Mechanical Seal Construction

TABLE I

B/M No.	Rotation	Volute Case	Impeller	Impeller Diameter
B68414	CW	H00689	M02153	9.00"
B68415	CCW	H00698	M02181	9.00"



Item No.	Part Description	Part Number
1	Case, Volute	See Table I
2	Impeller	See Table I
6	Shaft (Not sold separately)	See Note 1
14	Sleeve, Shaft	S39242
16	Bearing, Ball	S13270
18	Bearing, Ball	S13271
19	Frame	H04007
24	Locknut, Impeller (CW)	M10220
24	Locknut, Impeller (CCW)	U36-189SS
32	Key, 1/4x2-1/8"	S24255
40	Slinger, Water	S12260
35	Inner Bearing Cap	S19033
37	Outer Bearing Cap Assembly*	S19914
72	Ring, Thrust	S29218
73	Gasket, Volute	S05126
89	Seal, Mechanical Shaft	S32690
800	Capscrew, Hex 3/8-16x1" (8 Req.)	S26826
810A	Plug, Pipe 1/4 NPT (4 Req.)	S23715
810B	Plug, Pipe 1/2 NPT	S23717

Item No.	Part Description	Part Number
811	Fitting, Grease	S23670
816	Ring, Retaining	S23009
816	Ring, Retaining	S23010

- Shaft Replacement Kit** available for this model. Berkeley part number **B80699** for CW, **B80697** for CCW. Pump Shaft sold in shaft replacement kit only.

* Includes grease fitting and set screw.



TYPE "B" SINGLE STAGE CENTRIFUGAL PUMP Bearing Frame Mount

Section	FM
Page	130.5
Date	January 1, 2004
Supersedes 12/1/95	

CAST IRON IMPELLER

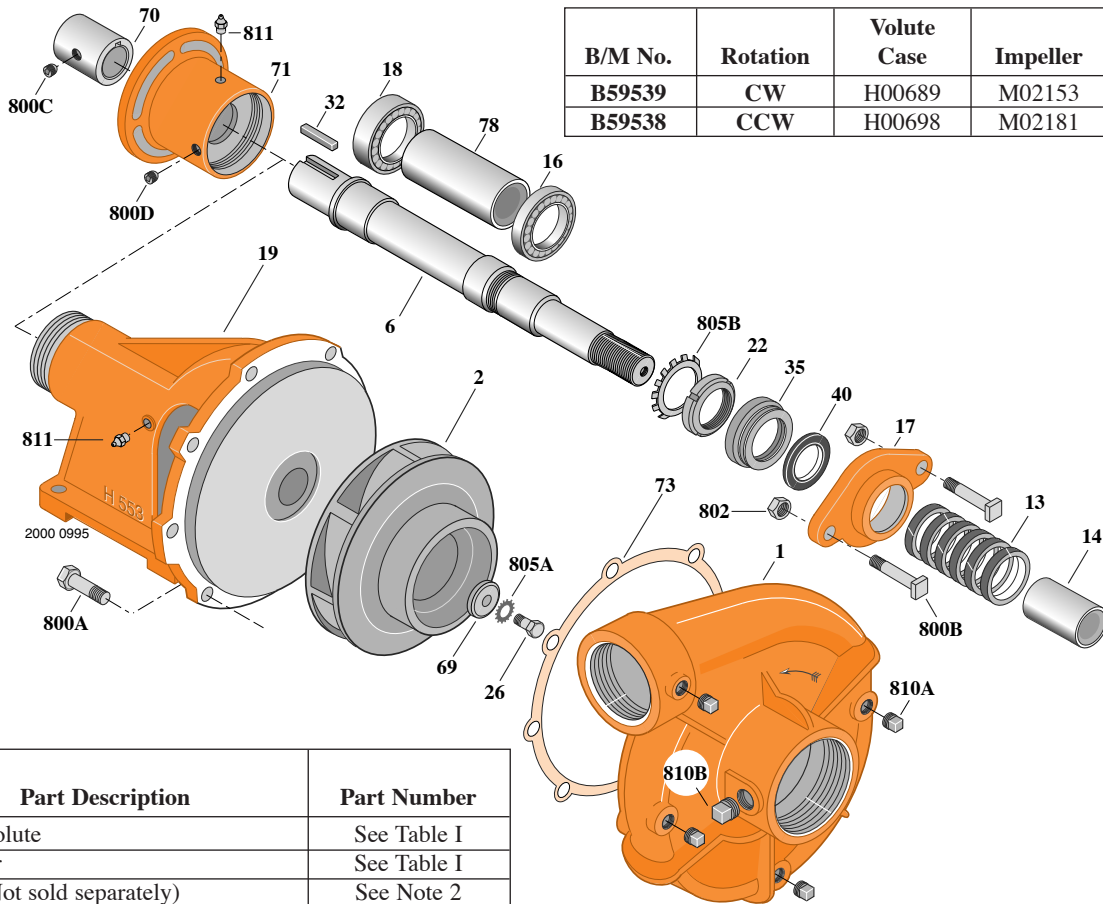
B3ZRM

Threaded Case (NPT)

Packing Construction

TABLE I

B/M No.	Rotation	Volute Case	Impeller	Impeller Diameter
B59539	CW	H00689	M02153	9.00"
B59538	CCW	H00698	M02181	9.00"



Item No.	Part Description	Part Number
1	Case, Volute	See Table I
2	Impeller	See Table I
6	Shaft (Not sold separately)	See Note 2
13	Ring, Packing (Set of 6)	S14022
14	Sleeve, Shaft	S05127
16	Bearing, Ball	S13270
17	Gland, Packing (See Note 1)	S04948
18	Bearing, Ball	S13271
19	Frame	H00553
22	Locknut	M10221
26	Screw, Impeller 3/8-16x1"	S23566
32	Key, 1/4x1"	S24168
35	Inner Bearing Cap	S19033
40	Slinger, Water	S12260
69	Washer, Impeller	S06314
70	Coupling, Shaft	S30636
71	Bracket	L05720
73	Gasket, Volute	S05126
78	Sleeve, Spacer	S08980
800A	Capscrew, Hex 3/8-16x7/8" (8 Req.)	S26825
800B	Bolt, Sq. Head 3/8-16x2-1/2" (2 Req.)	S23762
800C	Screw, Set	S23964

Item No.	Part Description	Part Number
800D	Screw, Set (2 Req.)	S23965
802	Nut, Hex 3/8-16 (2 Req.)	S23343
805A	Washer, Lock	S23036
805B	Washer, Bearing Lock	S16181
810A	Plug, Pipe 1/4 NPT (4 Req.)	S23715
810B	Plug, Pipe 1/2 NPT	S23717
811	Fitting, Grease (3 Req.)	S23670

1. A two piece (split) bronze packing gland is available for replacement, order part number **B82468**.
2. **Shaft Replacement Kit** available for this model. Berkeley part number **B62436** for CW, **B62452** for CCW. Pump Shaft sold in shaft replacement kit only.



TYPE "B" SINGLE STAGE CENTRIFUGAL PUMP Bearing Frame Mount

Section	FM
Page	130.6
Date	January 1, 2004
Supersedes 12/1/95	

CAST IRON IMPELLER

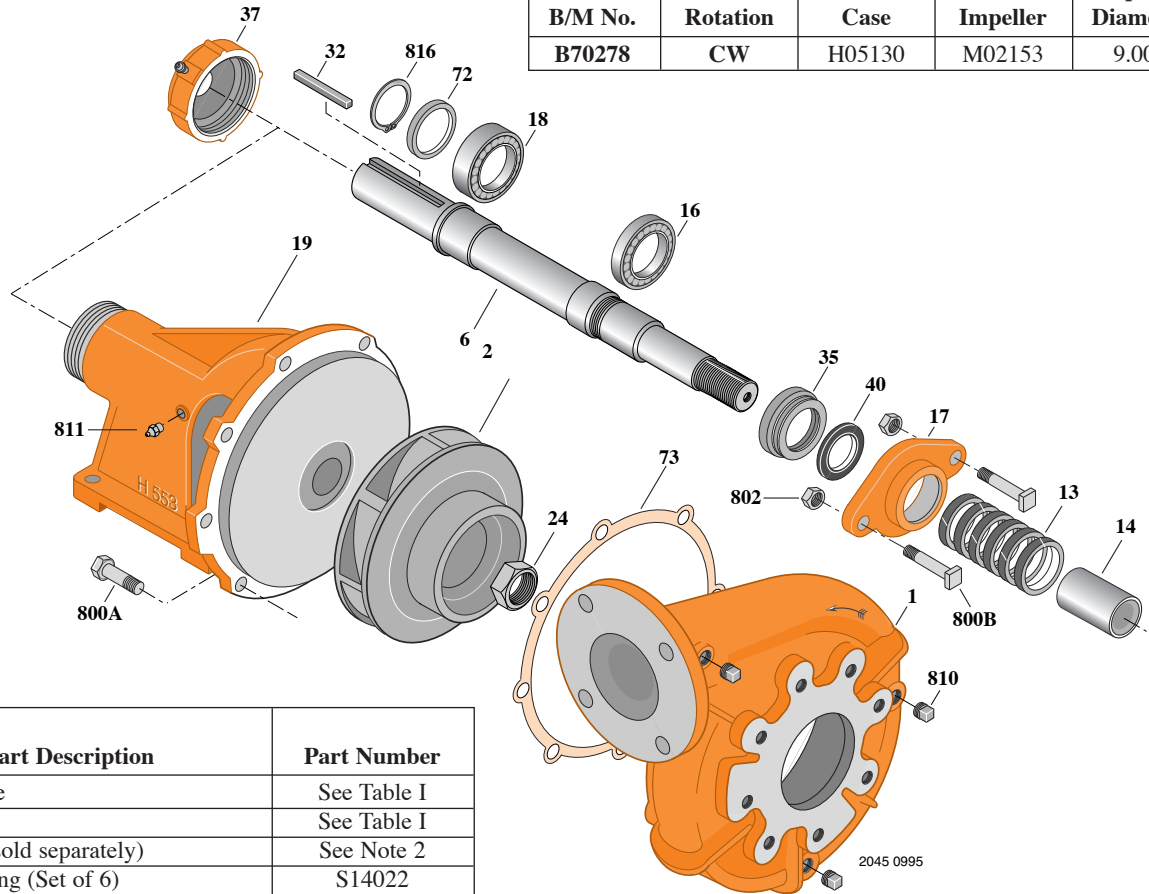
B3ZRM

Flanged Case

Packing Construction

TABLE I

B/M No.	Rotation	Volute Case	Impeller	Impeller Diameter
B70278	CW	H05130	M02153	9.00"



Item No.	Part Description	Part Number
1	Case, Volute	See Table I
2	Impeller	See Table I
6	Shaft (Not sold separately)	See Note 2
13	Ring, Packing (Set of 6)	S14022
14	Sleeve, Shaft	S05127
16	Bearing, Ball	S13270
17	Gland, Packing (See Note 1)	S04948
18	Bearing, Ball	S13271
19	Frame	H00553
24	Locknut, Impeller	M10220
32	Key, 1/4x2-1/8"	S24255
35	Inner Bearing Cap	S19033
37	Outer Bearing Cap Assembly*	S19914
40	Slinger, Water	S12260
72	Ring, Thrust	S29218
73	Gasket, Volute	S05126
800A	Capscrew, Hex 3/8-16x1" (8 Req.)	S26826
800B	Bolt, Sq. Head 3/8-16x2-1/2" (2 Req.)	S23762
802	Nut, Hex 3/8-16 (2 Req.)	S23343
810	Plug, Pipe 1/4 NPT (3 Req.)	S23715

Item No.	Part Description	Part Number
811	Fitting, Grease	S23670
816	Ring, Retaining	S23010

1. A two piece (split) stainless steel packing gland is available for replacement, order part number **B82468**.
2. **Shaft Replacement Kit** available for this model. Berkeley part number **B80698**. Pump Shaft sold in shaft replacement kit only.

* Includes grease fitting and set screw.



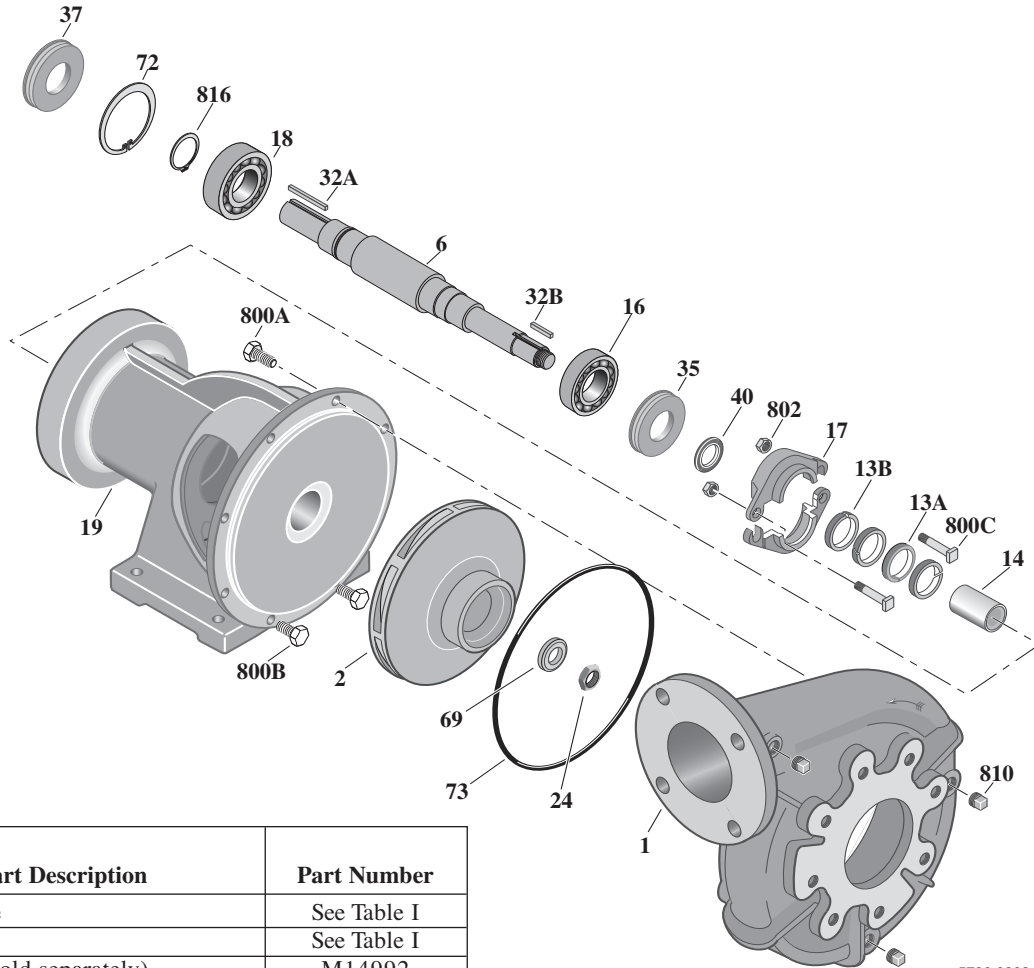
TYPE "B" SINGLE STAGE CENTRIFUGAL PUMP Bearing Frame Mount

Section	FM
Page	130.6.1
Date	April 1, 2009
Supersedes NEW	

CAST IRON IMPELLER

B3ZRM

Packing Construction



5790 0208-S4855BK

Item No.	Part Description	Part Number
1	Case, Volute	See Table I
2	Impeller	See Table I
6	Shaft (Not sold separately)	M14992
13A	Ring, Packing (3 Req.)	S08291
13B	Ring, Packing, Metallic	S11092
14	Sleeve, Shaft	M14993
16	Bearing, Ball	M14998
17	Gland, Packing	B82470
18	Bearing, Ball	M14999
19	Bearing Frame (Bracket)	M14995
24	Locknut, Impeller	M10220
32A	Key, 3/8"x3/8"x1-3/8" Long	M15001
32B	Key, 1/4x1/4"	S23505
35	Inner Bearing Cap	M14997
37	Outer Bearing Cap Assembly*	M14996
40	Slinger, Water	S10964
69	Washer, Lock	M14990
72	Ring, Thrust	S23025
73	O-Ring	M14943
800A	Capscrew, Hex 3/8-16x7/8" (6 Req.)	S26825
800B	Bolt, Sq. Head 3/8-16x1-1/8" (2 Req.)	S26827

Item No.	Part Description	Part Number
800C	Bolt, Sq. Head 3/8-16x2-1/2" (2 Req.)	S23762
802	Nut, Hex 3/8-16 (2 Req.)	S23343
810	Plug, Pipe 1/4 NPT	See Table I
816	Ring, Retaining	M15000

- Shaft Replacement Kit** available for this model. Berkeley part number **B85585**. Pump Shaft sold in shaft replacement kit only.

* Includes grease fitting and set screw.



**TYPE "B" SINGLE STAGE
CENTRIFUGAL PUMP
Bearing Frame Mount**

Section	FM
Page	130.6.2
Date	April 1, 2009
Supersedes NEW	

B3ZRM

TABLE 1 – B3ZRM Series

Catalog Number	Rotation	Connection	Volute	Impeller	Pipe Plugs	
					Part Number	Quantity
B85578	CCW	NPT	H00698	M14989	S23715	4
B85579	CW	NPT	H00689	M14994	S23715	4
					U78-59ZPS	1
B85580	CW	Flanged	H05130	M14994	S23715	3
B85581	CW	Victaulic	H04040	M14994	S23715	3
B85582	CCW	Victaulic	H04041	M14989	S23715	3



TYPE "B" SINGLE STAGE CENTRIFUGAL PUMP Bearing Frame Mount

Section	FM
Page	130.7
Date	January 1, 2004
Supersedes 12/1/95	

CAST IRON IMPELLER

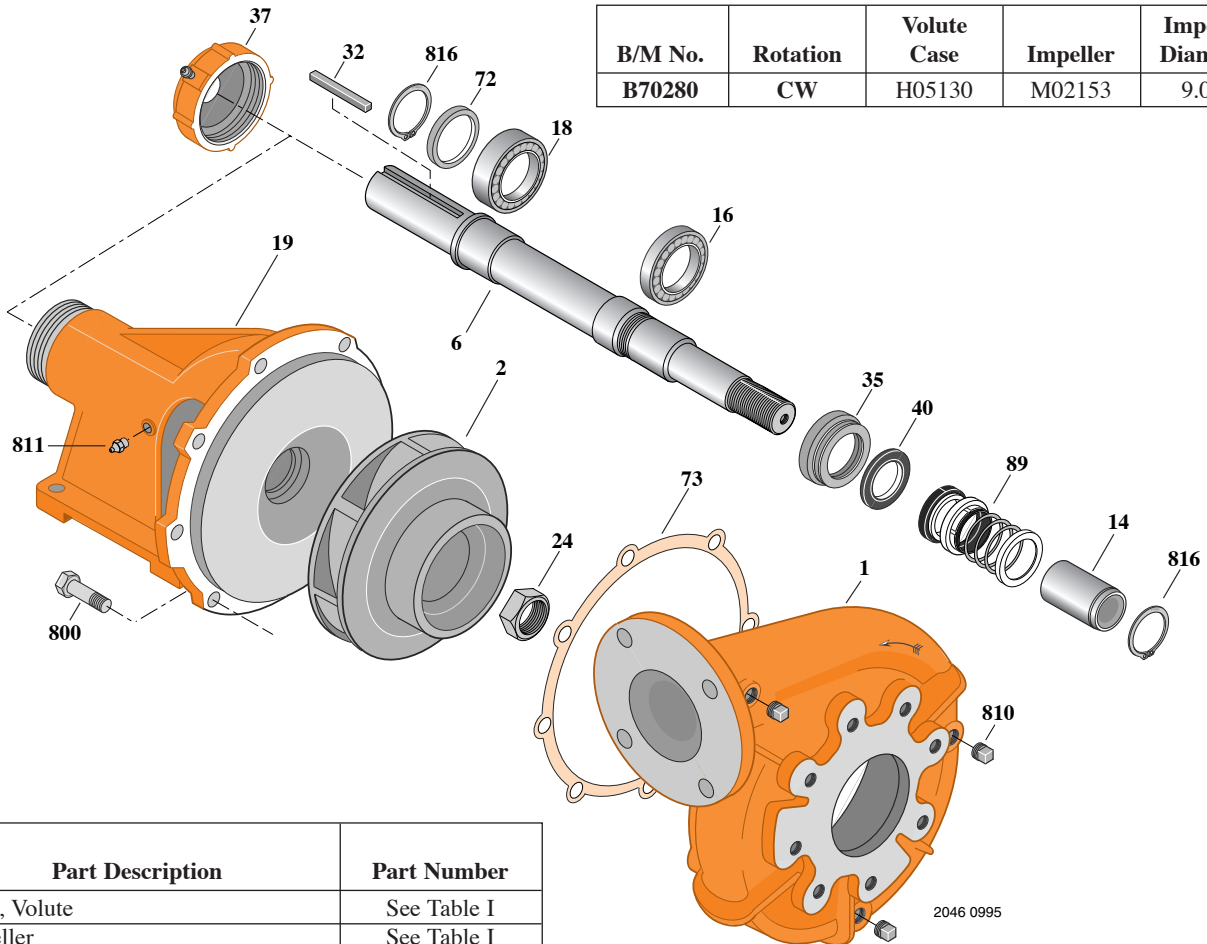
B3ZRMS

Flanged Case

Mechanical Seal Construction

TABLE I

B/M No.	Rotation	Volute Case	Impeller	Impeller Diameter
B70280	CW	H05130	M02153	9.00"



2046 0995

Item No.	Part Description	Part Number
1	Case, Volute	See Table I
2	Impeller	See Table I
6	Shaft (Not sold separately)	See Note 1
14	Sleeve, Shaft	S39242
16	Bearing, Ball	S13270
18	Bearing, Ball	S13271
19	Frame	H04007
24	Locknut, Impeller	M10220
32	Key, 1/4x21-1/8"	S24255
35	Inner Bearing Cap	S19033
37	Outer Bearing Cap Assembly*	S19914
40	Slinger, Water	S12260
72	Ring, Thrust	S29218
73	Gasket, Volute	S05126
89	Seal, Mechanical Shaft	S32690
800	Capscrew, Hex 3/8-16x1" (8 Req.)	S26826
810	Plug, Pipe 1/4 NPT (3 Req.)	S23715

Item No.	Part Description	Part Number
811	Fitting, Grease	S23670
816	Ring, Retaining	S23009
816	Ring, Retaining	S23010

- Shaft Replacement Kit** available for this model. Berkeley part number **B80699**. Pump Shaft sold in shaft replacement kit only.

* Includes grease fitting and set screw.



TYPE "B" SINGLE STAGE CENTRIFUGAL PUMP Bearing Frame Mount

Section	FM
Page	130.7.1
Date	January 1, 2004
Supersedes/New	

BRONZE IMPELLER

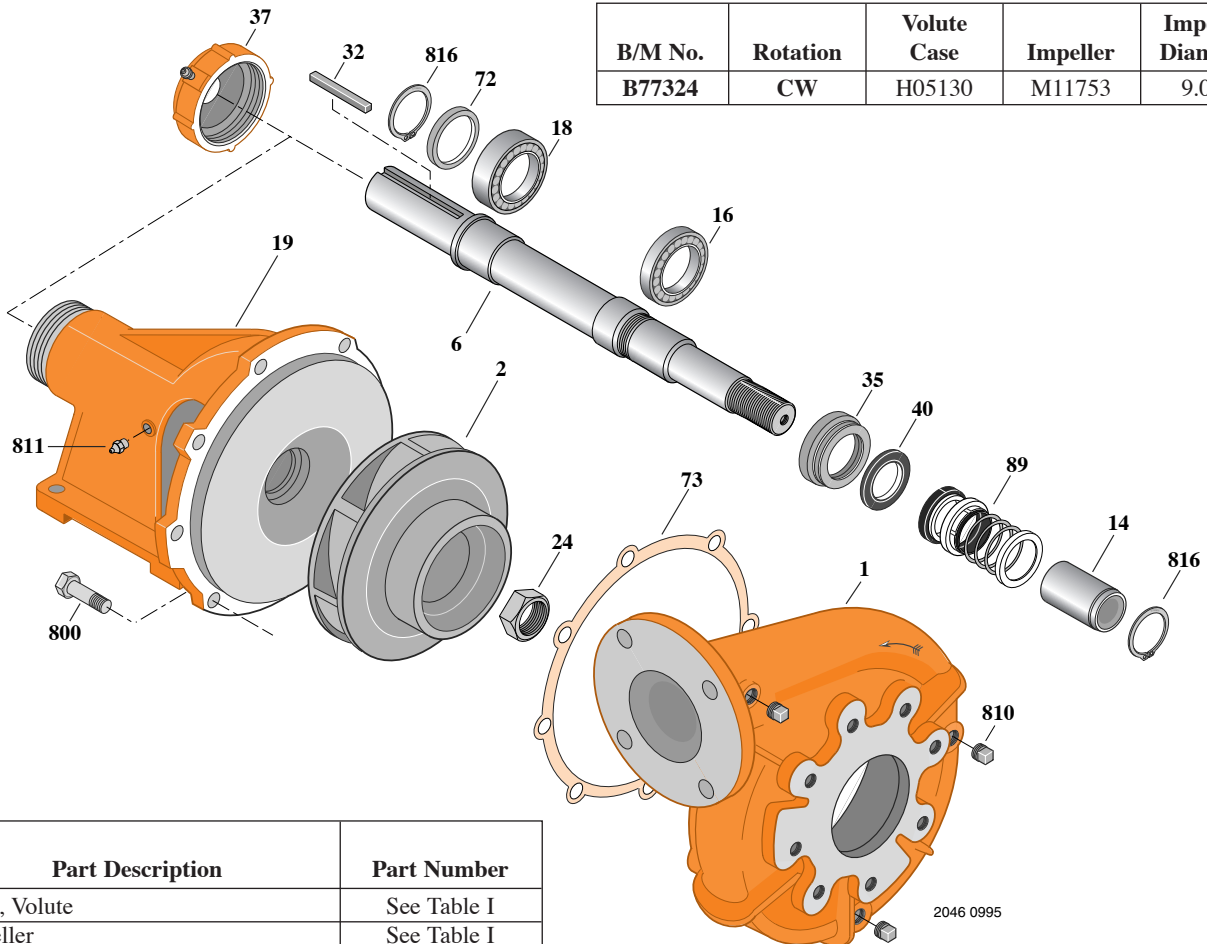
B3ZRMS

Flanged Case

Mechanical Seal Construction

TABLE I

B/M No.	Rotation	Volute Case	Impeller	Impeller Diameter
B77324	CW	H05130	M11753	9.00"



2046 0995

Item No.	Part Description	Part Number
1	Case, Volute	See Table I
2	Impeller	See Table I
6	Shaft (Not sold separately)	See Note 1
14	Sleeve, Shaft	S39242
16	Bearing, Ball	S13270
18	Bearing, Ball	S13271
19	Frame	H04007
24	Locknut, Impeller	M10220
32	Key, 1/4x21-1/8"	S24255
35	Inner Bearing Cap	S19033
37	Outer Bearing Cap Assembly*	S19914
40	Slinger, Water	S12260
72	Ring, Thrust	S29218
73	Gasket, Volute	S05126
89	Seal, Mechanical Shaft	S32690
800	Capscrew, Hex 3/8-16x1" (8 Req.)	S26826
810	Plug, Pipe 1/4 NPT (3 Req.)	S23715

Item No.	Part Description	Part Number
811	Fitting, Grease	S23670
816	Ring, Retaining	S23009
816	Ring, Retaining	S23010

- Shaft Replacement Kit** available for this model. Berkeley part number **B80699**. Pump Shaft sold in shaft replacement kit only.

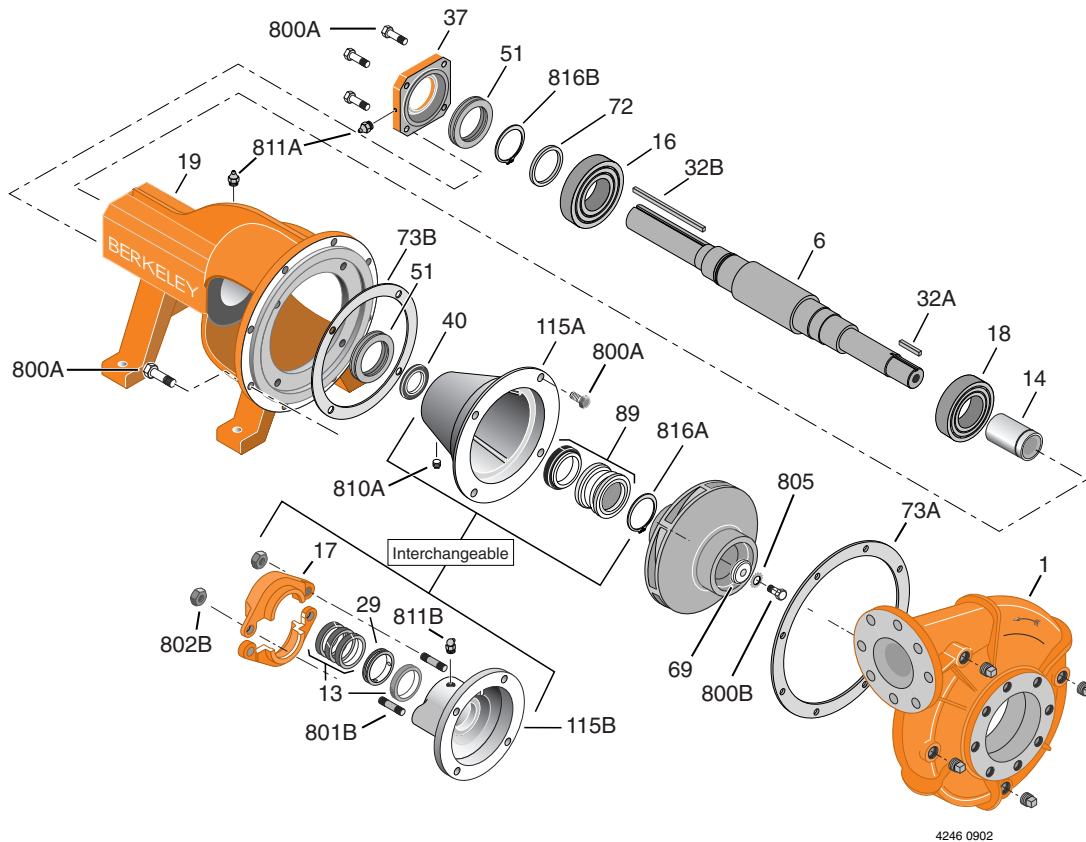
* Includes grease fitting and set screw.



TYPE "B" SINGLE STAGE CENTRIFUGAL PUMP Bearing Frame Mount

Section	FM
Page	130.8
Date	January 1, 2004
Supersedes 7/1/02	

B3ZRM(S)



B3ZR Common Parts Groups Repair Parts List

Item No.	Part Description	Part Number
6	Shaft	M12338
14	1-3/8 ID x 1-3/4 OD Shaft Sleeve	M12422
16	Single Row Ball Bearing	S13395
18	Ball Bearing	S13397
19	Bracket	M12332
32A	Shaft Key, 1/4" Sq. x 2-1/4" Lg. - Impeller	S23677
32B	Shaft Key, 3/8" Sq. x 2-1/4" Lg.	S23941
37	Bearing Cap	M12335
40	Water Slinger	S10964
51	Grease Seal (2 Req.)	M12337
69	Lock Washer	S06319
72	Thrust Ring	S06519
73A	Volute Gasket	S05126
73B	Balance Ring Gasket	S09943
800A	3/8-16 x 1" Lg. Hex Hd Capscrew (16 Req.)	S26826
800B	1/2-13 X 1" Lg Hex Hd. Capscrew	S23619
805	Lock Washer	S23038
811A	Grease Fitting (2 Req.)	S23700
816B	External Retaining Ring	S23016

Packing Components

Item No.	Part Description	Part Number
13	Packing Ring Set	S13435
17	Split Packing Gland Set	B82470
29	Lantern Ring	S19200
115B	Packing Housing	M12334
801B	3/8-16NC x 2-1/2" Lg Stud (2 Req.)	S04438
802B	3/8-16 Hex Nut (2 Req.)	S23343
811B	1/8 MPT x 90° Grease Fitting	S23702

Seal Components

Item No.	Part Description	Part Number
89	1-3/4" Mechanical Shaft Seal	S32015
115A	Mechanical Seal Housing	M12333
810A	1/8" NPT Sq. Hd. Pipe Plug	S23714
816A	External Retaining Ring	S16767

Refer to following page for model specific repair parts listing.



TYPE "B" SINGLE STAGE CENTRIFUGAL PUMP Bearing Frame Mount

Section	FM
Page	130.9
Date	January 1, 2004
Supersedes 7/1/02	

B3ZRM(S)

B3ZRM(S) Series

Pump Series	Catalog Number	Rotation	Style	Volute	Pipe Plugs	Impeller	Impeller Material	Replacement Shaft
B3ZRM Packing Construction	B80302	CW	4" NPT Suction 3" NPT Discharge	H00689	4-S23715 1-S23717	M02911	Cast Iron	B81663
	B80307	CW		H00698		H05479	Bronze	B81663
	B80303	CCW				M12462	Cast Iron	B81663
	B80301	CW	Suction Flange 4x9" B74303 Discharge Flange 3x7-1/2" B60129	H00689	4-S23715 1-S23717	M02911	Cast Iron	B81663
	B80306	CW				H05479	Bronze	B81663
	B80304	CW		4" NPT Victaulic 3" NPT Victaulic		H04040	3-S23715	M02911
	B80305	CCW	H04041		M12462	Cast Iron		B81663
	B80308	CW	H04040		H05479	Bronze		B81663
B3ZRMS Mechanical Seal	B80310	CW	4" NPT Suction 3" NPT Discharge	H00689	4-S23715 1-S23717	M02911	Cast Iron	B81663
	B80315	CW		H00698		H05479	Bronze	B81663
	B80311	CCW				M12462	Cast Iron	B81663
	B80309	CW	Suction Flange 4x9" B74303 Discharge Flange 3x7-1/2" B60129	H00689	4-S23715 1-S23717	M02911	Cast Iron	B81663
	B80314	CW				H05479	Bronze	B81663
	B80312	CW		4" NPT Victaulic 3" NPT Victaulic		H04040	3-S23715	M02911
	B80313	CCW	H04041		M12462	Cast Iron		B81663
	B80316	CW	H04040		H05479	Bronze		B81663



TYPE "B" SINGLE STAGE CENTRIFUGAL PUMP Bearing Frame Mount

Section	FM
Page	140.1
Date	January 1, 2004
Supersedes 12/1/95	

CAST IRON IMPELLER

B3ERBL

Threaded Case (NPT)

Packing Construction

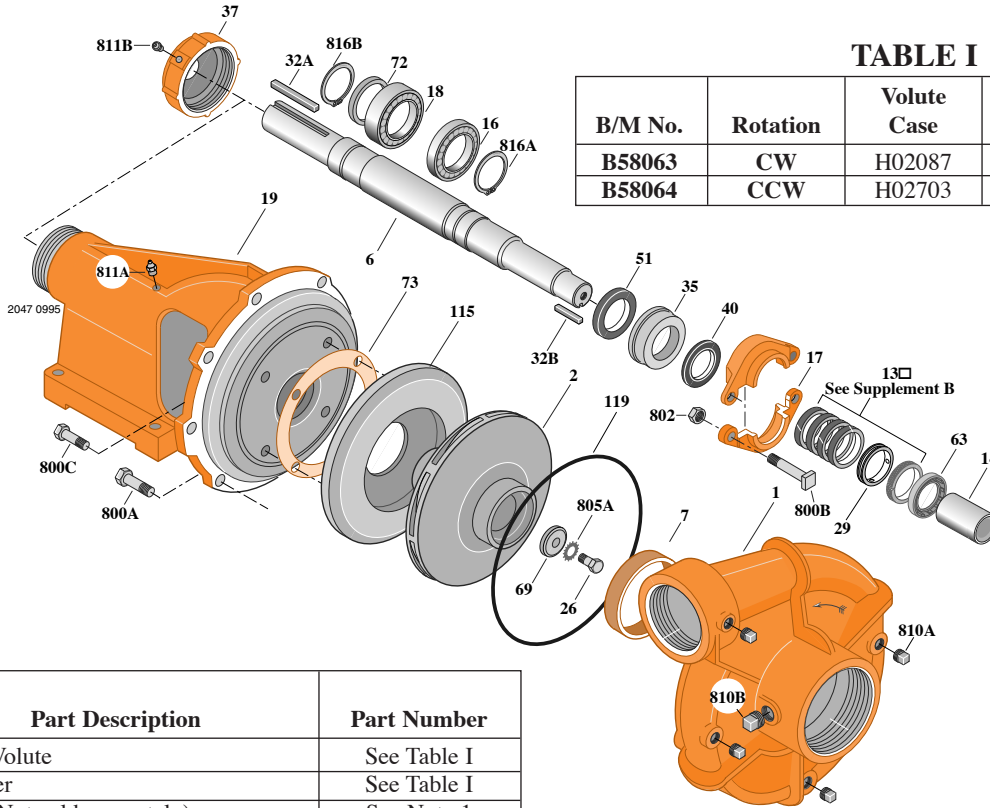


TABLE I

B/M No.	Rotation	Volute Case	Impeller	Impeller Diameter
B58063	CW	H02087	M07318	10.44"
B58064	CCW	H02703	M07319	10.44"

Item No.	Part Description	Part Number
1	Case, Volute	See Table I
2	Impeller	See Table I
6	Shaft (Not sold separately)	See Note 1
7	Ring, Wearing	S06860
13	Ring, Packing (Set of 4)	S13436
14	Sleeve, Shaft	S05974
16	Bearing, Ball	S13395
17	Gland, Packing	B82472
18	Bearing, Ball	S13754
19	Frame	H01941
26	Screw, Impeller 1/2-13x1-1/2"	S23623
29	Ring, Lantern	S18993
32A	Key, 1/2x4"	S24214
32B	Key, 1/4-1-1/2"	S23505
35	Inner Bearing Cap	S13213
37	Outer Bearing Cap	M04551
40	Slinger, Water	S10964
51	Seal, Oil	S14764
63	Bushing, Throat	S14122
69	Washer, Impeller	S18117
72	Ring, Thrust	S19221
73	Gasket, Balance Ring	S09943
115	Ring, Balance	L03648
119	O-Ring	S13760
800A	Capscrew, Hex 1/2-13x1-1/4" (8 Req.)	S26914
800B	Bolt, Sq. Head 1/2-13x2-1/2" (2 Req.)	S23793
800C	Capscrew, Hex 3/8-16x1" (4 Req.)	S26826

Item No.	Part Description	Part Number
802	Nut, Hex 1/2-13x7/16" (2 Req.)	S23347
805A	Washer, Lock	S23038
810A	Plug, Pipe 1/4 NPT (4 Req.)	S23715
810B	Plug, Pipe 1/2 NPT	S23717
811A	Fitting, Grease	S23670
811B	Fitting, Grease (3 Req.)	S23700
816A	Ring, Retaining	S23016
816B	Ring, Retaining	S23017
•	Screw, Set	S23982

• Not illustrated (Outer Bearing Cap)

- Shaft Replacement Kit** available for this model. Berkeley part number **B60659**. Pump Shaft sold in shaft replacement kit only.



TYPE "B" SINGLE STAGE CENTRIFUGAL PUMP Bearing Frame Mount

Section	FM
Page	140.2
Date	January 1, 2004
Supersedes 12/1/95	

CAST IRON IMPELLER

B3ERBLS

Threaded Case (NPT)

Mechanical Seal Construction

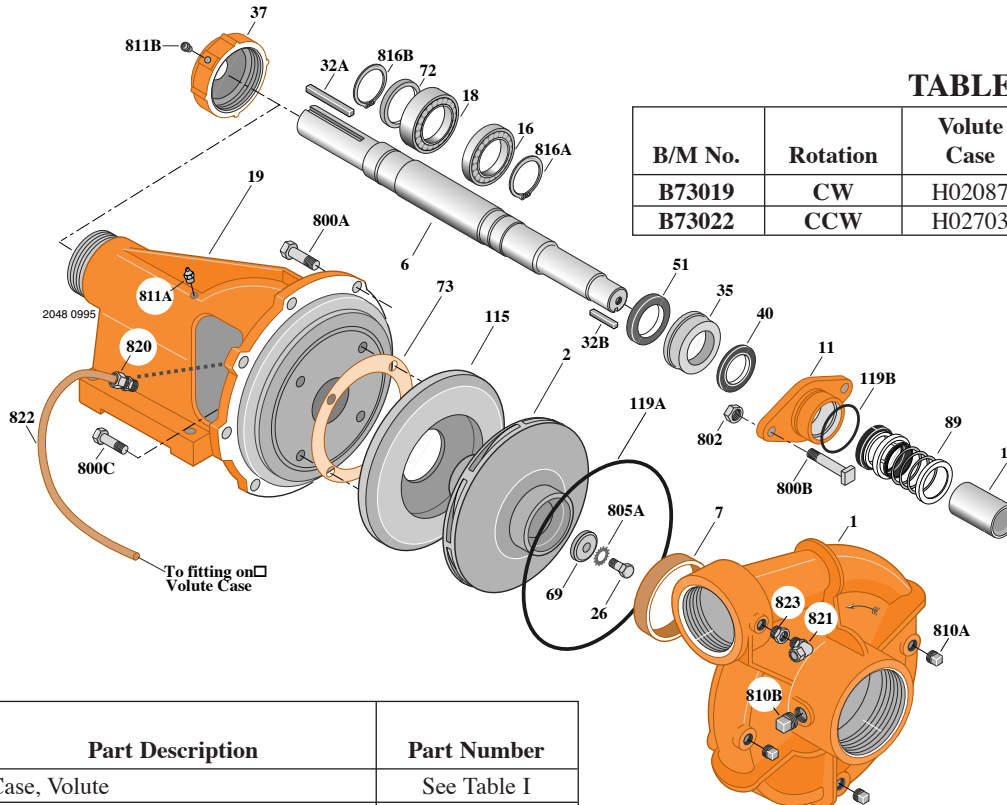


TABLE I

B/M No.	Rotation	Volute Case	Impeller	Impeller Diameter
B73019	CW	H02087	M07318	10.44"
B73022	CCW	H02703	M07319	10.44"

Item No.	Part Description	Part Number
1	Case, Volute	See Table I
2	Impeller	See Table I
6	Shaft (Not sold separately)	See Note 1
7	Ring, Wearing	M10838
11	Retainer, Mechanical Shaft Seal	S11452
14	Sleeve, Shaft	S05974
16	Bearing, Ball	S13395
18	Bearing, Ball	S13754
19	Frame	H05508
26	Screw, Impeller 1/2-13x1-1/2"	S23623
32A	Key, 1/2x4"	S24214
32B	Key, 1/4x1-1/2"	S24170
35	Inner Bearing Cap	S13213
37	Outer Bearing Cap	M04551
40	Slinger, Water	S10964
51	Seal, Oil	S14764
69	Washer, Impeller	S18117
72	Ring, Thrust	S19221
73	Gasket, Balance Ring	S09943
89	Seal, Mechanical Shaft	S32693
115	Ring, Balance	L03648
119A	O-Ring	S13760
119B	O-Ring	S24599
800A	Capscrew, Hex 1/2-13x1-1/4" (8 Req.)	S26914
800B	Bolt, Sq. Head 1/2-13x2-1/4" (2 Req.)	S23792
800C	Capscrew, Hex 3/8-16x1" (4 Req.)	S26826
802	Nut, Hex 1/2-13x7/16" (2 Req.)	S23347

Item No.	Part Description	Part Number
805A	Washer, Lock	S23038
810A	Plug, Pipe 1/4 NPT (3 Req.)	S23715
810B	Plug, Pipe 1/2 NPT	S23717
811A	Fitting, Grease	S23670
811B	Fitting, Grease (2 Req.)	S23700
816A	Ring, Retaining	S23016
816B	Ring, Retaining	S23017
820	Connector, Comp. Fitting	S24013
821	Elbow, Comp. Fitting	S24128
822	Tubing, Copper	S20677
823	Bushing, Pipe	S24600
•	Screw, Set	S23982

• Not illustrated (Outer Bearing Cap).

- Shaft Replacement Kit** available for this model. Berkeley part number **B60659**. Pump Shaft sold in shaft replacement kit only.



TYPE "B" SINGLE STAGE CENTRIFUGAL PUMP Bearing Frame Mount

Section	FM
Page	140.3
Date	January 1, 2004
Supersedes/New	

BRONZE IMPELLER

B3ERBLS

Threaded Case (NPT)

Mechanical Seal Construction

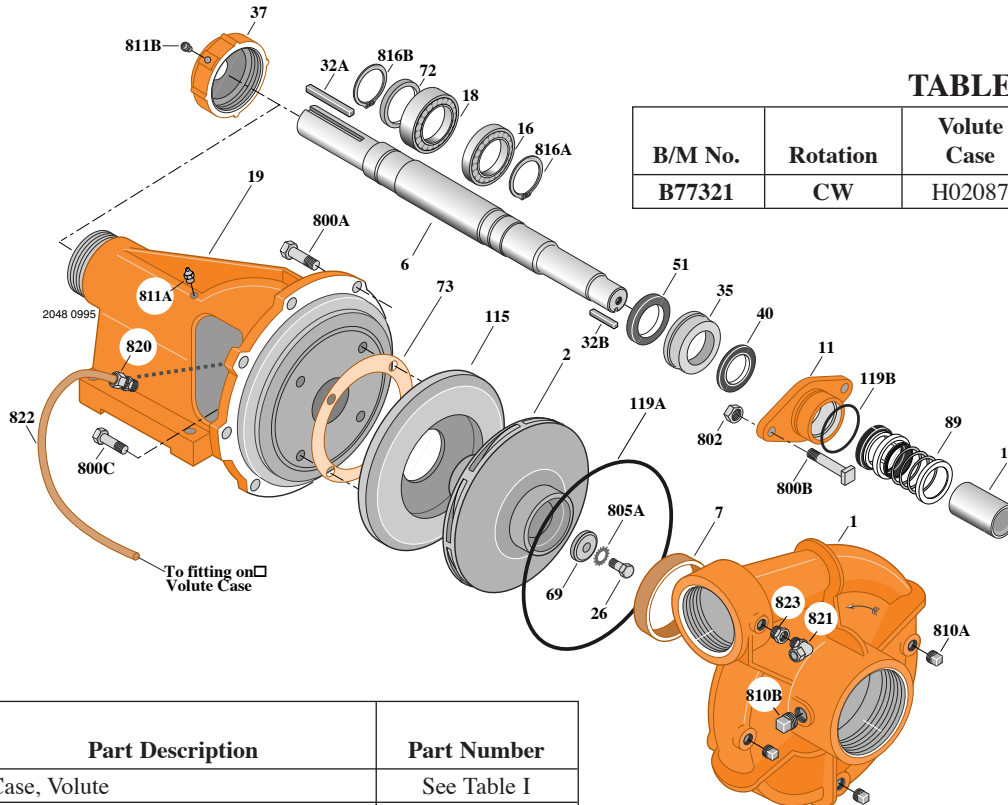


TABLE I

B/M No.	Rotation	Volute Case	Impeller	Impeller Diameter
B77321	CW	H02087	M06675	10.44"

Item No.	Part Description	Part Number
1	Case, Volute	See Table I
2	Impeller	See Table I
6	Shaft (Not sold separately)	See Note 1
7	Ring, Wearing	M10838
11	Retainer, Mechanical Shaft Seal	S11452
14	Sleeve, Shaft	S05974
16	Bearing, Ball	S13395
18	Bearing, Ball	S13754
19	Frame	H05508
26	Screw, Impeller 1/2-13x1-1/2"	S23623
32A	Key, 1/2x4"	S24214
32B	Key, 1/4x1-1/2"	S24170
35	Inner Bearing Cap	S13213
37	Outer Bearing Cap	M04551
40	Slinger, Water	S10964
51	Seal, Oil	S14764
69	Washer, Impeller	S18117
72	Ring, Thrust	S19221
73	Gasket, Balance Ring	S09943
89	Seal, Mechanical Shaft	S32693
115	Ring, Balance	L03648
119A	O-Ring	S13760
119B	O-Ring	S24599
800A	Capscrew, Hex 1/2-13x1-1/4" (8 Req.)	S26914
800B	Bolt, Sq. Head 1/2-13x2-1/4" (2 Req.)	S23792
800C	Capscrew, Hex 3/8-16x1" (4 Req.)	S26826
802	Nut, Hex 1/2-13x7/16" (2 Req.)	S23347

Item No.	Part Description	Part Number
805A	Washer, Lock	S23038
810A	Plug, Pipe 1/4 NPT (3 Req.)	S23715
810B	Plug, Pipe 1/2 NPT	S23717
811A	Fitting, Grease	S23670
811B	Fitting, Grease (2 Req.)	S23700
816A	Ring, Retaining	S23016
816B	Ring, Retaining	S23017
820	Connector, Comp. Fitting	S24013
821	Elbow, Comp. Fitting	S24128
822	Tubing, Copper	S20677
823	Bushing, Pipe	S24600
•	Screw, Set	S23982

• Not illustrated (Outer Bearing Cap).

- Shaft Replacement Kit** available for this model. Berkeley part number **B60659**. Pump Shaft sold in shaft replacement kit only.



TYPE "B" SINGLE STAGE CENTRIFUGAL PUMP Bearing Frame Mount

Section	FM
Page	150.1
Date	January 1, 2004
Supersedes 12/1/95	

CAST IRON IMPELLER

B3ERM

Threaded Case (NPT)

Packing Construction

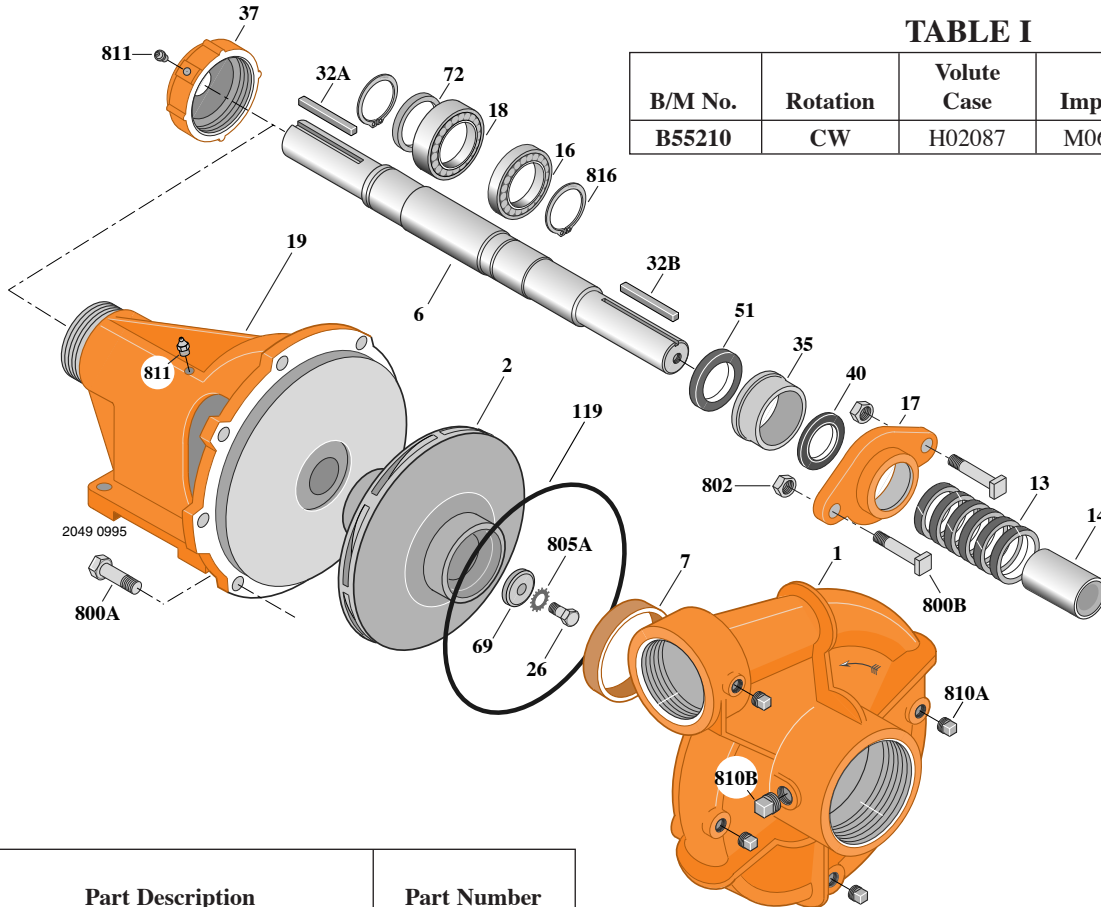


TABLE I

B/M No.	Rotation	Volute Case	Impeller	Impeller Diameter
B55210	CW	H02087	M06903	10.44"

Item No.	Part Description	Part Number
1	Case, Volute	See Table I
2	Impeller	See Table I
6	Shaft (Not sold separately)	See Note 2
7	Ring, Wearing	S13045
13	Ring, Packing (Set of 6)	S14022
14	Sleeve, Shaft	S05127
16	Bearing, Ball	S29895
17	Gland, Packing (See Note 1)	S04948
18	Bearing, Ball	S13271
19	Frame	H02089
26	Screw, Impeller 3/8-16x1-1/4"	S23568
32A	Key, 1/4x2-1/8"	S24255
32B	Key, 3/16x1-1/2"	S23500
35	Inner Bearing Cap	S13214
37	Outer Bearing Cap	S29308
40	Slinger, Water	M09685
51	Seal, Oil	S14763
69	Washer, Impeller	S06314
72	Ring, Thrust	S29218
119	O-Ring	S13760

Item No.	Part Description	Part Number
800A	Capscrew, Hex 1/2-13x1-1/4" (8 Req.)	S26914
800B	Bolt, Sq. Head 3/8-16x2-1/2" (2 Req.)	S23762
802	Nut, Hex 3/8-16 (2 Req.)	S23343
805A	Washer, Lock	S23036
810A	Plug, Pipe 1/4 NPT (4 Req.)	S23715
810B	Plug, Pipe 1/2 NPT	S23717
811	Fitting, Grease (3 Req.)	S23670
816	Ring, Retaining (2 Req.)	S23010

1. A two piece (split) stainless steel packing gland is available for replacement, order part number **B82468**.
2. **Shaft Replacement Kit** available for this model. Berkeley part number **B60633**. Pump Shaft sold in shaft replacement kit only.



TYPE "B" SINGLE STAGE CENTRIFUGAL PUMP Bearing Frame Mount

Section	FM
Page	150.2
Date	January 1, 2004
Supersedes 12/1/95	

CAST IRON IMPELLER

B3ERMS

Threaded Case (NPT)

Mechanical Seal Construction

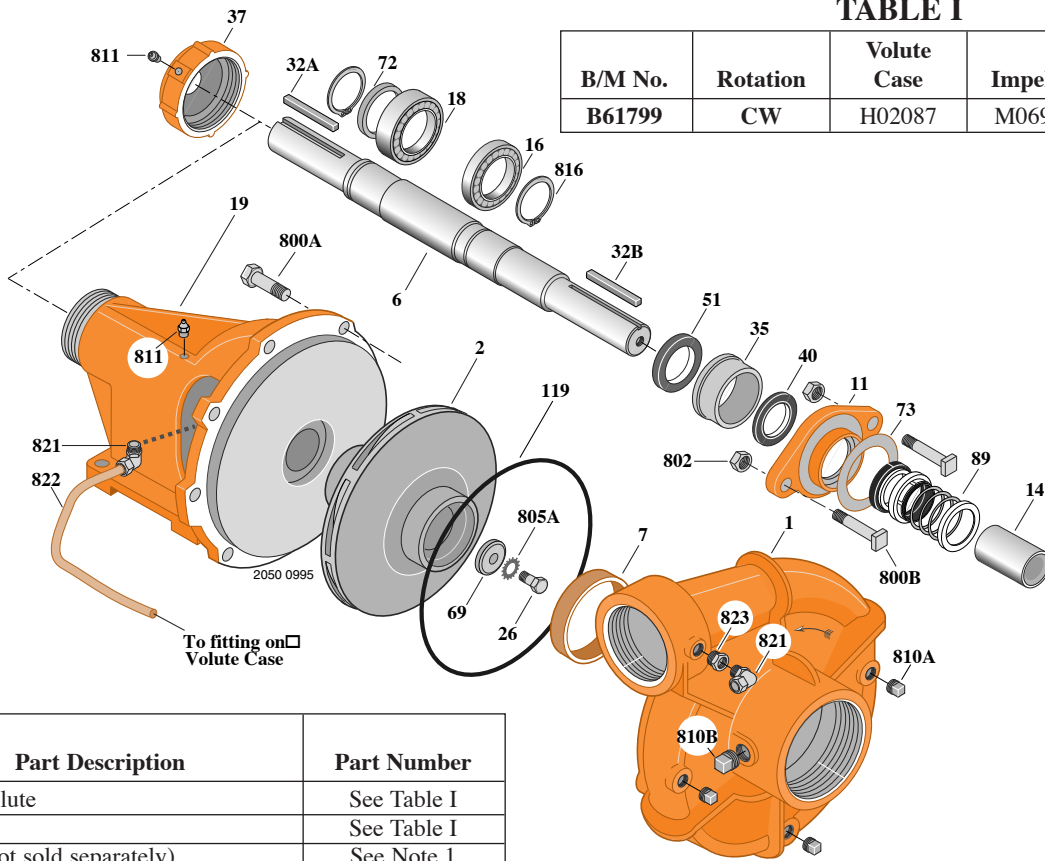


TABLE I

B/M No.	Rotation	Volute Case	Impeller	Impeller Diameter
B61799	CW	H02087	M06903	10.44"

Item No.	Part Description	Part Number
1	Case, Volute	See Table I
2	Impeller	See Table I
6	Shaft (Not sold separately)	See Note 1
7	Ring, Wearing	S13045
11	Retainer, Mechanical Shaft Seal	S05993
14	Sleeve, Shaft	S05127
16	Bearing, Ball	S29895
18	Bearing, Ball	S13271
19	Frame	H03960
26	Screw, Impeller 3/8-16x1-1/4"	S23568
32A	Key, 1/4x2-1/8"	S24255
32B	Key, 3/16x1-1/2"	S23500
35	Inner Bearing Cap	S13214
37	Outer Bearing Cap	S29308
40	Slinger, Water	M09685
51	Seal, Oil	S14763
69	Washer, Impeller	S06314
72	Ring, Thrust	S29218
73	Gasket, Seal Retainer	S08911
89	Seal, Mechanical Shaft Seal	S32689
119	O-Ring	S13760
800A	Capscrew, Hex 1/2-13x1-1/4" (8 Req.)	S26914
800B	Bolt, Sq. Head 3/8-16x1-1/2" (2 Req.)	S23762
802	Nut, Hex 3/8-16 (2 Req.)	S23343

Item No.	Part Description	Part Number
805A	Washer, Lock	S23036
810A	Plug, Pipe 1/4 NPT (5 Req.)	S23715
810B	Plug, Pipe 1/2 NPT	S23717
811	Fitting, Grease (3 Req.)	S23670
816	Ring, Retaining (2 Req.)	S23010
821	Elbow, Comp. Fitting (2 Req.)	S24128
822	Tubing, Copper	S20677
823	Bushing, Pipe	S24600

- Shaft Replacement Kit** available for this model. Berkeley part number **B60633**. Pump Shaft sold in shaft replacement kit only.



TYPE "B" SINGLE STAGE CENTRIFUGAL PUMP Bearing Frame Mount

Section	FM
Page	160.1
Date	January 1, 2004
Supersedes 12/1/95	

CAST IRON IMPELLER

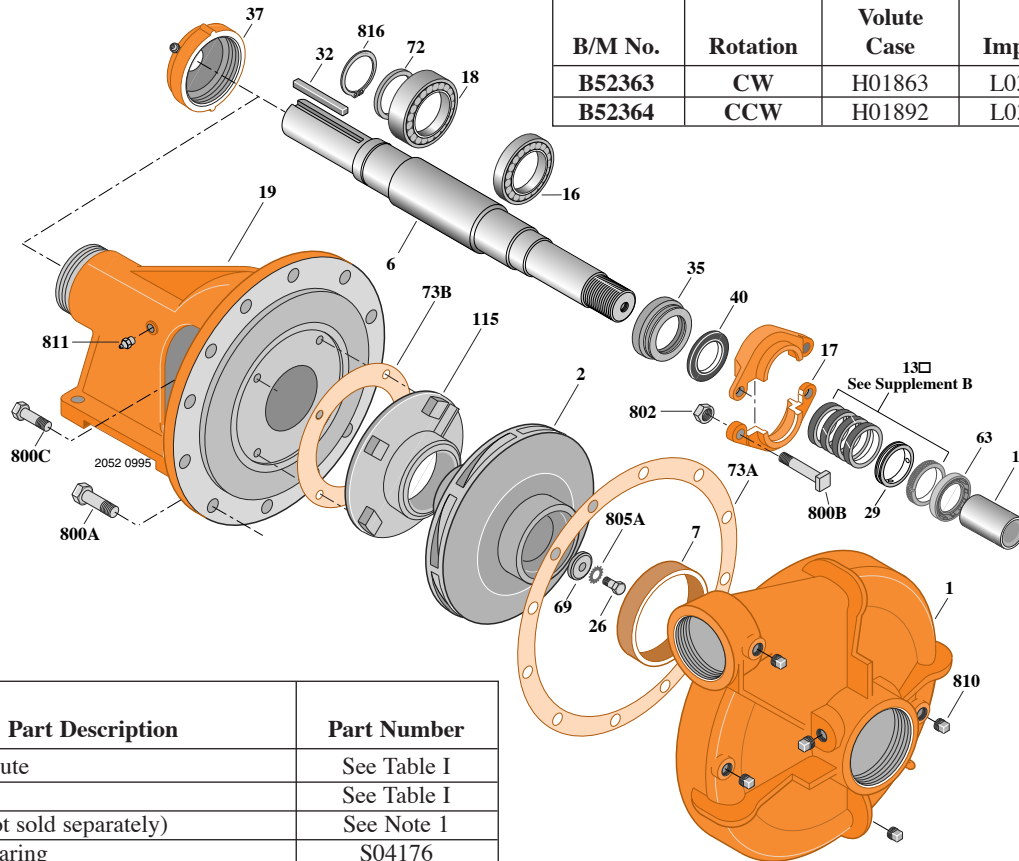
B3JRMBM

Threaded Case (NPT)

Packing Construction

TABLE I

B/M No.	Rotation	Volute Case	Impeller	Impeller Diameter
B52363	CW	H01863	L03038	13.50"
B52364	CCW	H01892	L03115	13.50"



Item No.	Part Description	Part Number
1	Case, Volute	See Table I
2	Impeller	See Table I
6	Shaft (Not sold separately)	See Note 1
7	Ring, Wearing	S04176
13	Ring, Packing (Set of 4)	S13436
14	Sleeve, Shaft	S05974
16	Bearing, Ball	S15604
17	Gland, Packing	B82472
18	Bearing, Ball	S13396
19	Frame	H01599
26	Screw, Impeller 1/2-13x1-1/2"	S23623
29	Ring, Lantern	S18993
32	Key, 1/2x4"	S24214
35	Inner Bearing Cap	S05928
37	Outer Bearing Cap Assembly*	S35277
40	Slinger, Water	S10964
63	Bushing, Throat	S18992
69	Washer, Impeller	S06319
72	Ring, Thrust	S06519
73A	Gasket, Volute	S06271
73B	Gasket, Balance Ring	S09943
115	Ring, Balance	M05115

Item No.	Part Description	Part Number
800A	Capscrew, Hex 5/8x11x1-1/2" (12 Req.)	S26999
800B	Bolt, Sq. Head 1/2-13x2-3/4" (2 Req.)	S23794
800C	Capscrew, Hex 3/8-16x1" (4 Req.)	S26826
802	Nut, Hex 1/2-13x7/16" (2 Req.)	S23347
805A	Washer, Lock	S23038
810	Plug, Pipe 1/2 NPT (6 Req.)	S23717
811	Fitting, Grease (2 Req.)	S23670
816	Ring, Retaining	S23016

- Shaft Replacement Kit** available for this model. Berkeley part number **B07596** for CW, **B07597** for CCW. Pump Shaft sold in shaft replacement kit only.

* Includes grease fitting.



TYPE "B" SINGLE STAGE CENTRIFUGAL PUMP Bearing Frame Mount

Section	FM
Page	160.2
Date	January 1, 2004
Supersedes 12/1/95	

CAST IRON IMPELLER

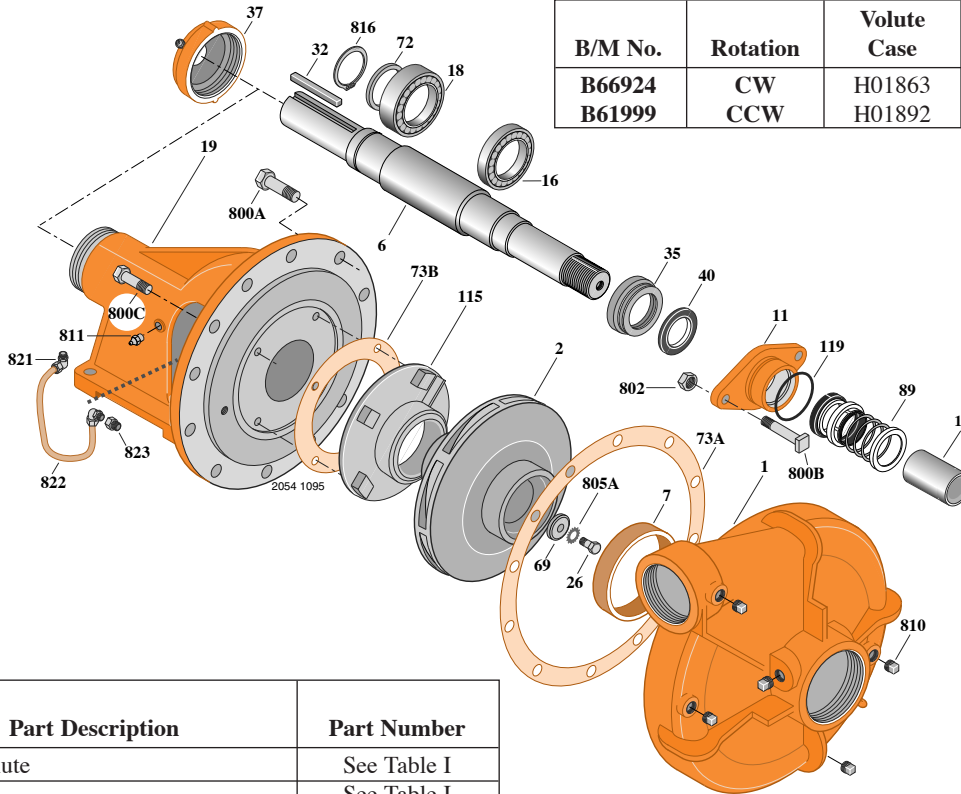
B3JRMBMS

Threaded Case (NPT)

Mechanical Seal Construction

TABLE I

B/M No.	Rotation	Volute Case	Impeller	Impeller Diameter
B66924	CW	H01863	L03038	13.50"
B61999	CCW	H01892	L03115	13.50"



Item No.	Part Description	Part Number
1	Case, Volute	See Table I
2	Impeller	See Table I
6	Shaft (Not sold separately)	See Note 1
7	Ring, Wearing	S04176
11	Retainer, Mechanical Shaft Seal	S11452
14	Sleeve, Shaft	S05974
16	Bearing, Ball	S15604
18	Bearing, Ball	S13396
19	Frame	H01838
26	Screw, Impeller 1/2-13x1-1/2"	S23623
32	Key, 1/2x4"	S24214
35	Inner Bearing Cap	S05928
37	Outer Bearing Cap Assembly*	S35277
40	Slinger, Water	S10964
69	Washer, Impeller	S06319
72	Ring, Thrust	S06519
73A	Gasket, Volute	S06271
73B	Gasket, Balance Ring	S09943
89	Seal, Mechanical Shaft	S32693
115	Ring, Balance	M05073
119	O-Ring	S26471
800A	Capscrew, Hex 5/8-11x1-1/2"(12 Req.)	S26999

Item No.	Part Description	Part Number
800B	Bolt, Sq. Head 1/2-13x2-1/4" (2 Req.)	S23792
800C	Capscrew, Hex 3/8-16x1" (4 Req.)	S26826
802	Nut, Hex 1/2-13x7/16" (2 Req.)	S23347
805A	Washer, Lock	S23038
810	Plug, Pipe 1/2 NPT (6 Req.)	S23717
811	Fitting, Grease	S23670
816	Ring, Retaining	S23016
821	Elbow, Comp. Fitting (2 Req.)	S24128
822	Tubing, Copper	S20677
823	Bushing, Pipe	S24544

- Shaft Replacement Kit** available for this model. Berkeley part number **B07596** for CW, **B07597** for CCW. Pump Shaft sold in shaft replacement kit only.

* Includes grease fitting.



TYPE "B" SINGLE STAGE CENTRIFUGAL PUMP Bearing Frame Mount

Section	FM
Page	170.1
Date	January 1, 2004
Supersedes 12/1/95	

CAST IRON IMPELLER

B4ERM

Flanged Case

Packing Construction

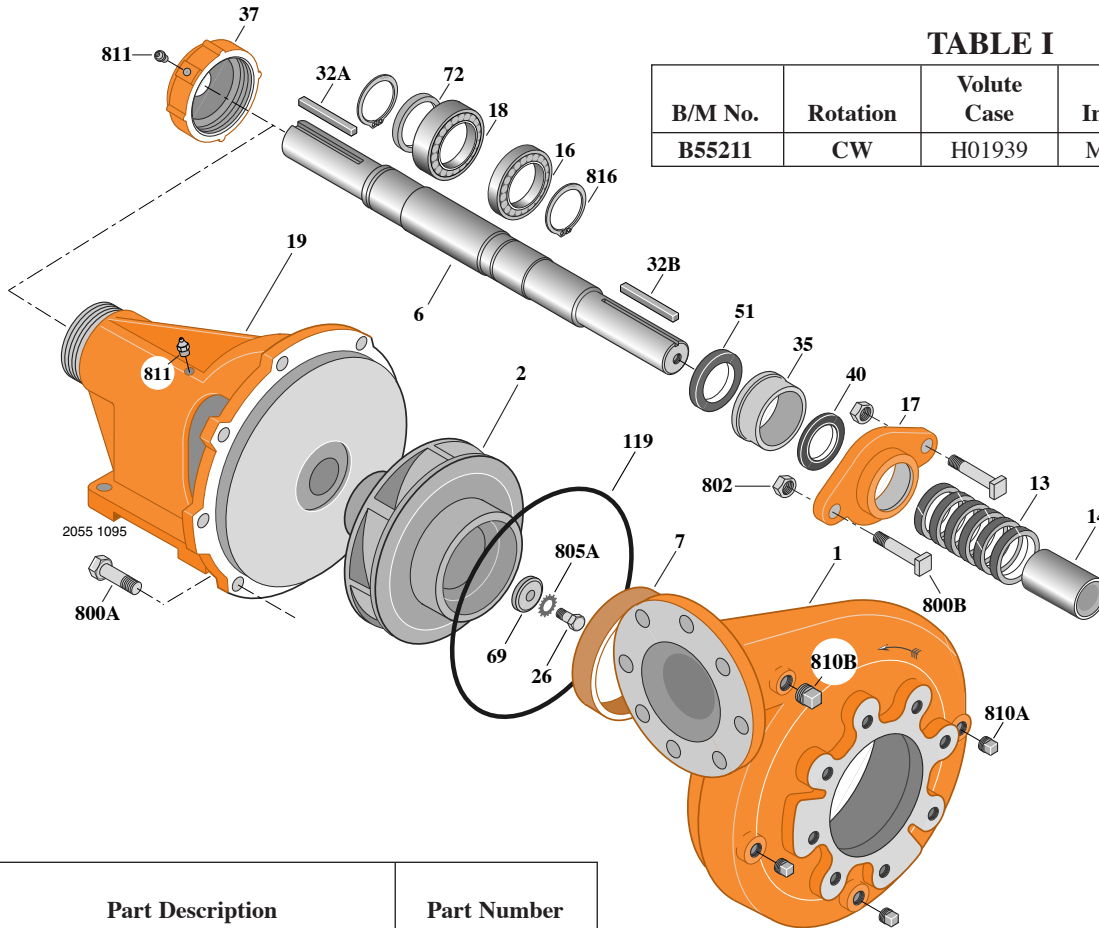


TABLE I

B/M No.	Rotation	Volute Case	Impeller	Impeller Diameter
B55211	CW	H01939	M06902	10.44"

Item No.	Part Description	Part Number
1	Case, Volute	See Table I
2	Impeller	See Table I
6	Shaft (Not sold separately)	See Note 2
7	Ring, Wearing	S13061
13	Ring, Packing (Set of 6)	S14022
14	Sleeve, Shaft	S05127
16	Bearing, Ball	S29895
17	Gland, Packing (See Note 1)	S04948
18	Bearing, Ball	S13271
19	Frame	H02089
26	Screw, Impeller 3/8-16x1-1/4"	S23568
32A	Key, 1/4x2-1/8"	S24255
32B	Key, 3/16x1-1/2"	S23500
35	Inner Bearing Cap	S13214
37	Outer Bearing Cap	S29308
40	Slinger, Water	M09685
51	Seal, Oil	S14763
69	Washer, Impeller	S06314
72	Ring, Thrust	S29218
119	O-Ring	S13760

Item No.	Part Description	Part Number
800A	Capscrew, Hex 1/2-13x1-1/4" (8 Req.)	S26914
800B	Bolt, Sq. Head 3/8-16x2-1/2" (2 Req.)	S23762
802	Nut, Hex 3/8-16" (2 Req.)	S23343
805A	Washer, Lock	S23036
810A	Plug, Pipe 1/4 NPT (3 Req.)	S23715
810B	Plug, Pipe 1/2 NPT (2 Req.)	S23717
811	Fitting, Grease (3 Req.)	S23670
816	Ring, Retaining (2 Req.)	S23010

1. A two piece (split) stainless steel packing gland is available for replacement, order part number **B82468**.
2. **Shaft Replacement Kit** available for this model. Berkeley part number **B60633**. Pump Shaft sold in shaft replacement kit only.



TYPE "B" SINGLE STAGE CENTRIFUGAL PUMP Bearing Frame Mount

Section	FM
Page	180.1
Date	January 1, 2004
Supersedes 12/1/95	

CAST IRON IMPELLER

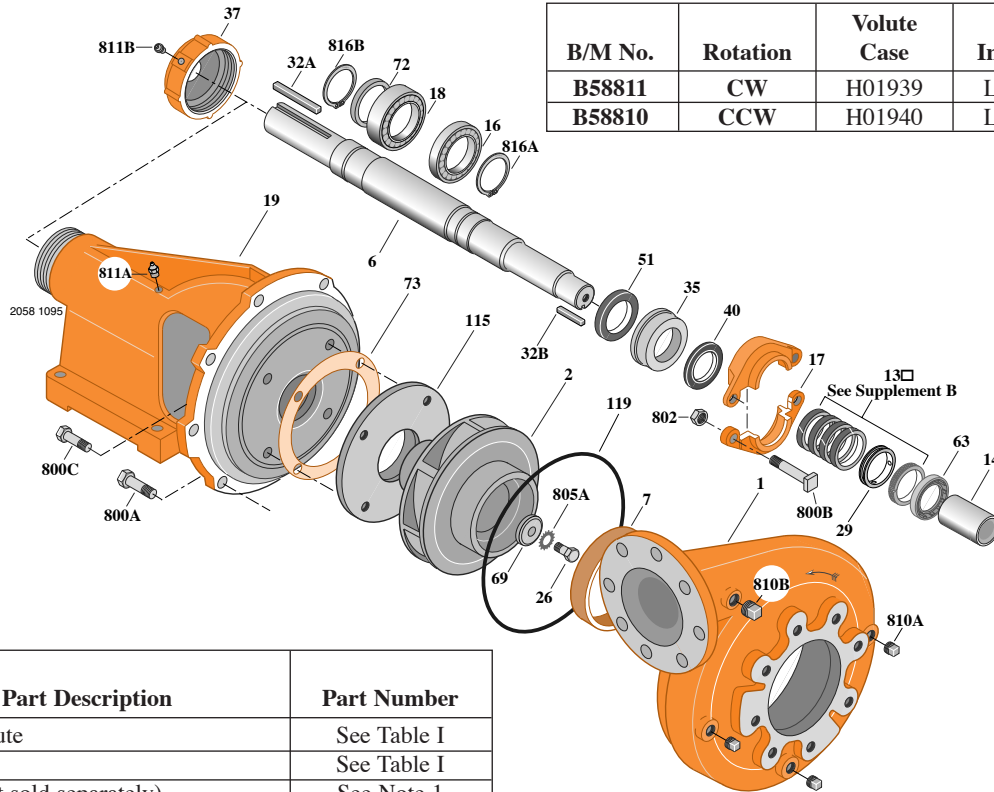
B4ERBM

Flanged Case

Packing Construction

TABLE I

B/M No.	Rotation	Volute Case	Impeller	Impeller Diameter
B58811	CW	H01939	L06015	10.44"
B58810	CCW	H01940	L06020	10.44"



Item No.	Part Description	Part Number
1	Case, Volute	See Table I
2	Impeller	See Table I
6	Shaft (Not sold separately)	See Note 1
7	Ring, Wearing	S32745
13	Ring, Packing (Set of 4)	S13436
14	Sleeve, Shaft	S05974
16	Bearing, Ball	S13395
17	Gland, Packing	B82472
18	Bearing, Ball	S13754
19	Frame	H01941
26	Screw, Impeller 1/2-13x1-1/2"	S23623
29	Ring, Lantern	S18993
32A	Key, 1/2x4"	S24214
32B	Key, 1/4x1-1/2"	S24170
35	Inner Bearing Cap	S13213
37	Outer Bearing Cap	M04551
40	Slinger, Water	S10964
51	Seal, Oil	S14764
63	Bushing, Throat	S14122
69	Washer, Impeller	S18117
72	Ring, Thrust	S19221
73	Gasket, Balance Ring	S09943
115	Ring, Balance	L03649
119	O-Ring	S13760
800A	Capscrew, Hex 1/2-13x1-1/4" (8 Req.)	S26914

Item No.	Part Description	Part Number
800B	Bolt, Sq. Head 1/2-13x2-1/2" (2 Req.)	S23793
800C	Capscrew, Hex 3/8-16x1" (4 Req.)	S26826
802	Nut, Hex 1/2-13x7/16" (2 Req.)	S23347
805A	Washer, Lock	S23038
810A	Plug, Pipe 1/4 NPT (3 Req.)	S23715
810B	Plug, Pipe 1/2 NPT (2 Req.)	S23717
811A	Fitting, Grease	S23670
811B	Fitting, Grease (3 Req.)	S23700
816A	Ring, Retaining	S23016
816B	Ring, Retaining	S23017

1. **Shaft Replacement Kit** available for this model. Berkeley part number **B60659**. Pump Shaft sold in shaft replacement kit only.



TYPE "B" SINGLE STAGE CENTRIFUGAL PUMP Bearing Frame Mount

Section	FM
Page	180.2
Date	January 1, 2004
Supersedes 12/1/95	

CAST IRON IMPELLER

B4ERBMS

Flanged Case

Mechanical Seal Construction

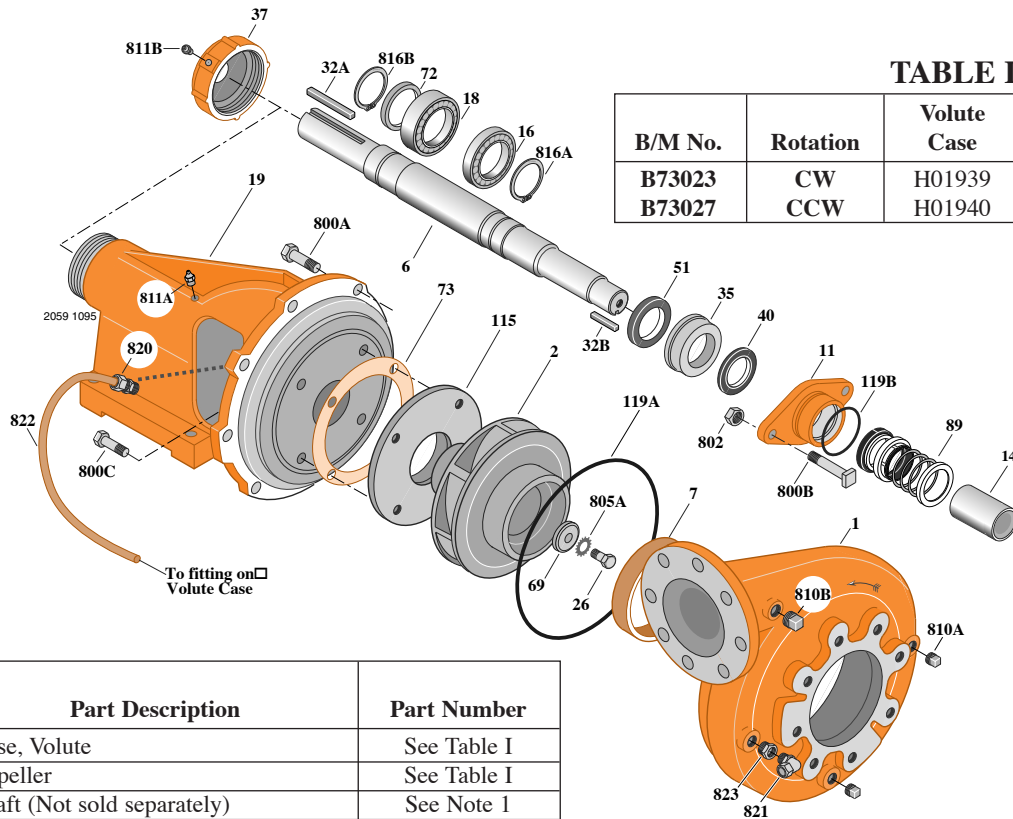


TABLE I

B/M No.	Rotation	Volute Case	Impeller	Impeller Diameter
B73023	CW	H01939	L06015	10.44"
B73027	CCW	H01940	L06020	10.44"

Item No.	Part Description	Part Number
1	Case, Volute	See Table I
2	Impeller	See Table I
6	Shaft (Not sold separately)	See Note 1
7	Ring, Wearing	S32745
11	Retainer, Mechanical Shaft Seal	S11452
14	Sleeve, Shaft	S05974
16	Bearing, Ball	S13395
18	Bearing, Ball	S13754
19	Frame	H05508
26	Screw, Impeller 1/2-13x1-1/2"	S23623
32A	Key, 1/2x4"	S24214
32B	Key, 1/4x1-1/2"	S24170
35	Inner Bearing Cap	S13213
37	Outer Bearing Cap	M04551
40	Slinger, Water	S10964
51	Seal, Oil	S14764
69	Washer, Impeller	S18117
72	Ring, Thrust	S19221
73	Gasket, Balance Ring	S09943
89	Seal, Mechanical Shaft	S32693
115	Ring, Balance	L03649
119A	O-Ring	S13760
119B	O-Ring	S24599
800A	Capscrew, Hex 1/2-13x1-1/4" (8 Req.)	S26914
800B	Bolt, Sq. Head 1/2-13x2-1/4" (2 Req.)	S23792
800C	Capscrew, Hex 3/8-16x1" (4 Req.)	S26826
802	Nut, Hex 1/2-13x7/16" (2 Req.)	S23347
805A	Washer, Lock	S23038

Item No.	Part Description	Part Number
810A	Plug, Pipe 1/4 NPT (3 Req.)	S23715
810B	Plug, Pipe 1/2 NPT (2 Req.)	S23717
811A	Fitting, Grease	S23670
811B	Fitting, Grease (2 Req.)	S23700
816A	Ring, Retaining	S23016
816B	Ring, Retaining	S23017
820	Connector, Comp. Fitting	S24013
821	Elbow, Comp. Tube Fitting	S24128
822	Tubing, Copper	S20677
823	Bushing, Pipe	S24600
•	Screw, Set	S23982

• Not illustrated.

- Shaft Replacement Kit** available for this model. Berkeley part number **B60659**. Pump Shaft sold in shaft replacement kit only.



TYPE "B" SINGLE STAGE CENTRIFUGAL PUMP Bearing Frame Mount

Section	FM
Page	190.1
Date	January 1, 2004
Supersedes 12/1/95	

CAST IRON IMPELLER

B4JRMBH

Flanged Case

Packing Construction

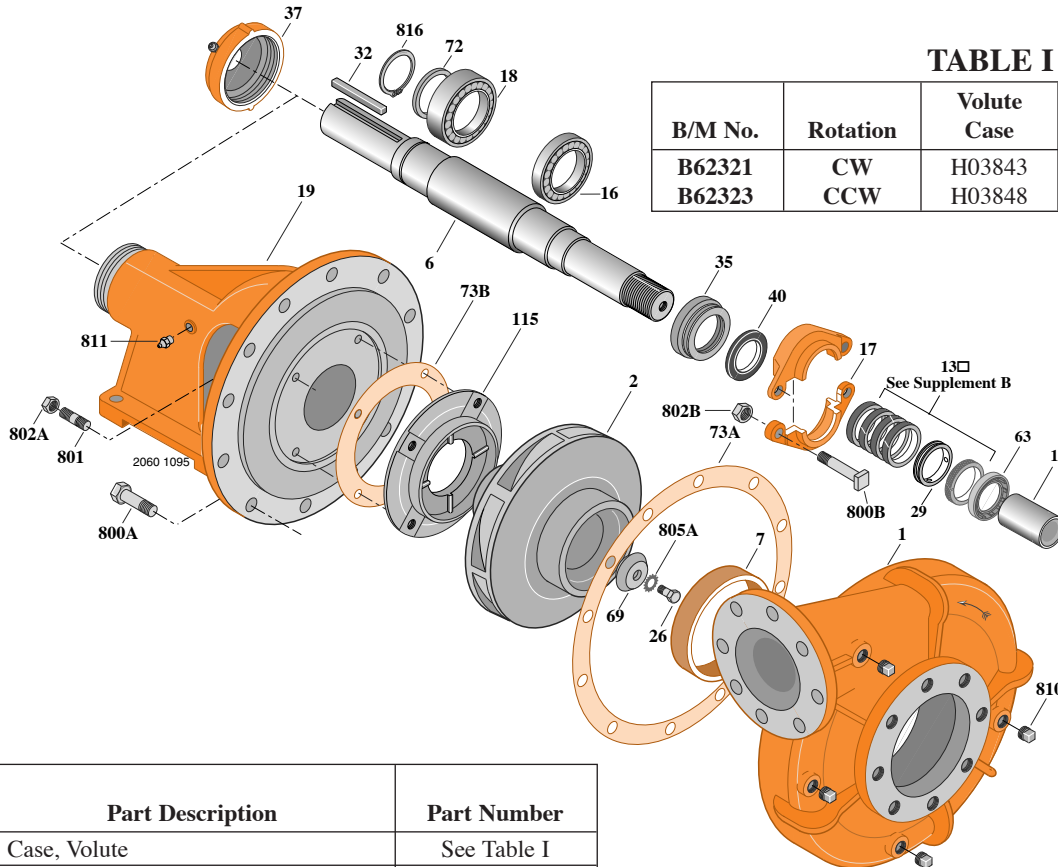


TABLE I

B/M No.	Rotation	Volute Case	Impeller	Impeller Diameter
B62321	CW	H03843	L05976	13.50"
B62323	CCW	H03848	L05974	13.50"

Item No.	Part Description	Part Number
1	Case, Volute	See Table I
2	Impeller	See Table I
6	Shaft (Not sold separately)	See Note 1
7	Ring, Wearing	S02894
13	Ring, Packing (Set of 4)	S13436
14	Sleeve, Shaft	S05974
16	Bearing, Ball	S15604
17	Gland, Packing	B82472
18	Bearing, Ball	S13396
19	Frame	H01599
26	Screw, Impeller 1/2-13x1-1/2"	S23623
29	Ring, Lantern	S18993
32	Key, 1/26x4"	S24214
35	Inner Bearing Cap	S05928
37	Outer Bearing Cap Assembly*	S35277
40	Slinger, Water	S10964
63	Bushing, Throat	S18992
69	Washer, Impeller	S19275
72	Ring, Thrust	S06519
73A	Gasket, Volute	S06271
73B	Gasket, Balance Ring	S09943
115	Ring, Balance	S12315

Item No.	Part Description	Part Number
800A	Capscrew, Hex 5/8-11x1-1/2"(12 Req.)	S26999
800B	Bolt, Sq. Head 1/2-13x2-3/4" (2 Req.)	S23794
801	Stud, 3/8-16x1-3/8" (4 Req.)	S09942
802A	Nut, Hex 3/8-16 (4 Req.)	S23103
802B	Nut, Hex 1/2-13x7/16" (2 Req.)	S23347
805A	Washer, Lock	S23038
810	Plug, Pipe 1/2 NPT (4 Req.)	S23717
811	Fitting, Grease (2 Req.)	S23670
816	Ring, Retaining	S23016

- Shaft Replacement Kit** available for this model. Berkeley part number **B07596** for CW, **B07597** for CCW. Pump Shaft sold in shaft replacement kit only.

* Includes grease fitting.



TYPE "B" SINGLE STAGE CENTRIFUGAL PUMP Bearing Frame Mount

Section	FM
Page	190.2
Date	January 1, 2004
Supersedes 12/1/95	

CAST IRON IMPELLER

B4JRMBHS

Flanged Case

Mechanical Seal Construction

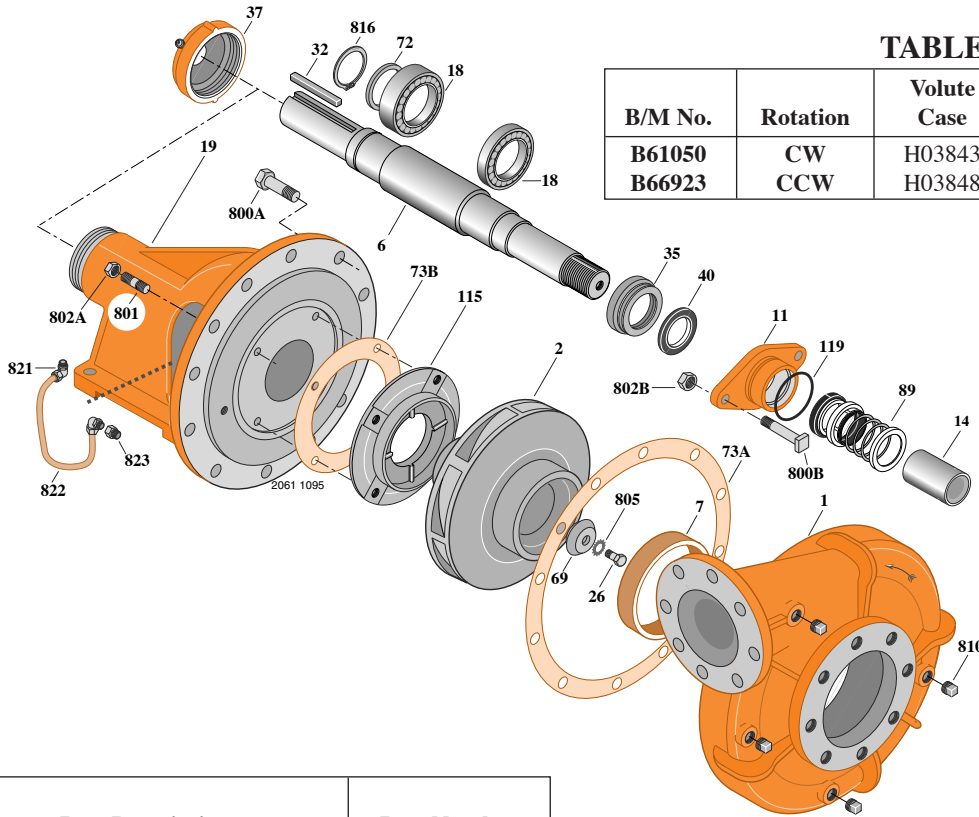


TABLE I

B/M No.	Rotation	Volute Case	Impeller	Impeller Diameter
B61050	CW	H03843	L05976	13.50"
B66923	CCW	H03848	L05974	13.50"

Item No.	Part Description	Part Number
1	Case, Volute	See Table I
2	Impeller	See Table I
6	Shaft (Not sold separately)	See Note 1
7	Ring, Wearing	S02894
11	Retainer, Mechanical Shaft Seal	S11452
14	Sleeve, Shaft	S05974
16	Bearing, Ball	S15604
18	Bearing, Ball	S13396
19	Frame	H01838
26	Screw, Impeller 1/2-13x1"	S23619
32	Key, 1/2x4"	S24214
35	Inner Bearing Cap	S05928
37	Outer Bearing Cap Assembly*	S35277
40	Slinger, Water	S10964
69	Washer, Impeller	S19275
72	Ring, Thrust	S06519
73A	Gasket, Volute	S06271
73B	Gasket, Balance Ring	S09943
89	Seal, Mechanical Shaft	S32693
115	Ring, Balance	S13591
119	O-Ring	S26471

Item No.	Part Description	Part Number
800A	Capscrew, Hex 5/8-11x1-1/2" (12 Req.)	S26999
800B	Bolt, Sq. Head 1/2-13x2-1/4" (2 Req.)	S23792
801	Stud, 3/8-16x1-1/2" (4 Req.)	S23995
802A	Nut, Hex 3/8-16" (4 Req.)	S23103
802B	Nut, Hex 1/2-13x7/16" (2 Req.)	S23347
805A	Washer, Lock	S23038
810	Plug, Pipe 1/2 NPT (4 Req.)	S23717
811	Fitting, Grease	S23670
816	Ring, Retaining	S23016
821	Elbow, Comp. Fitting (2 Req.)	S24128
822	Tubing, Copper	S20677
823	Bushing, Pipe	S24544

- Shaft Replacement Kit** available for this model. Berkeley part number **B07596** for CW, **B07597** for CCW. Pump Shaft sold in shaft replacement kit only.

* Includes grease fitting.



TYPE "B" SINGLE STAGE CENTRIFUGAL PUMP Bearing Frame Mount

Section	FM
Page	200.1
Date	January 1, 2004
Supersedes 12/1/95	

CAST IRON IMPELLER

B4JRMBHH

Flanged Case

Packing Construction

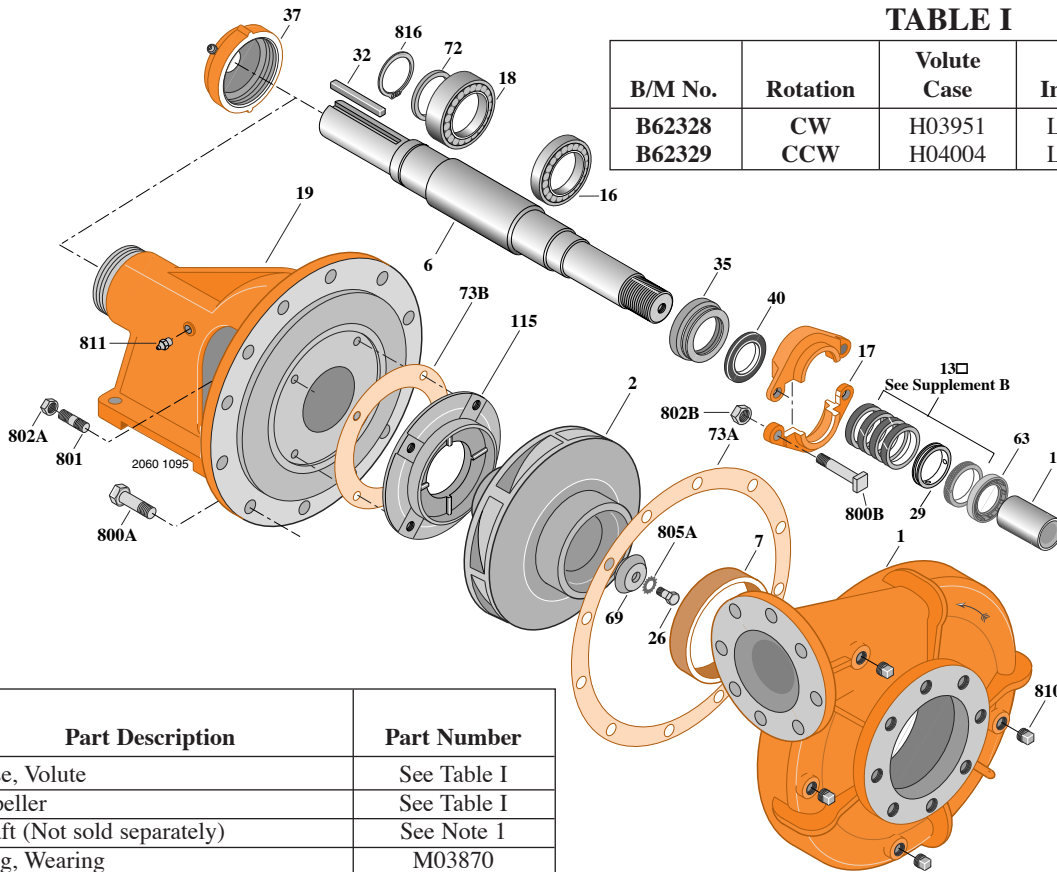


TABLE I

B/M No.	Rotation	Volute Case	Impeller	Impeller Diameter
B62328	CW	H03951	L05347	13.50"
B62329	CCW	H04004	L05369	13.50"

Item No.	Part Description	Part Number
1	Case, Volute	See Table I
2	Impeller	See Table I
6	Shaft (Not sold separately)	See Note 1
7	Ring, Wearing	M03870
13	Ring, Packing (Set of 4)	S13436
14	Sleeve, Shaft	S05974
16	Bearing, Ball	S15604
17	Gland, Packing	B82472
18	Bearing, Ball	S13396
19	Frame	H01599
26	Screw, Impeller 1/2-13x1-1/4"	S23621
29	Ring, Lantern	S18993
32	Key, 1/2x4"	S24214
35	Inner Bearing Cap	S05928
37	Outer Bearing Cap Assembly*	S35277
40	Slinger, Water	S10964
63	Bushing, Throat	S18992
69	Washer, Impeller	S19275
72	Ring, Thrust	S06519
73A	Gasket, Volute	S06271
73B	Gasket, Balance Ring	S09943
115	Ring, Balance	S12315
800A	Capscrew, Hex 5/8-11x1-1/2"(12 Req.)	S26999

Item No.	Part Description	Part Number
800B	Bolt, Sq. Head 1/2-13x2-3/4" (2 Req.)	S23794
801	Stud, 3/8-16x1-3/8" (4 Req.)	S09942
802A	Nut, Hex 3/8-16 (4 Req.)	S23103
802B	Nut, Hex 1/2-13x7/16" (2 Req.)	S23347
805A	Washer, Lock	S23038
810	Plug, Pipe 1/2 NPT (4 Req.)	S23717
811	Fitting, Grease	S23670
816	Ring, Retaining	S23016

- Shaft Replacement Kit** available for this model. Berkeley part number **B07596** for CW, **B07597** for CCW. Pump Shaft sold in shaft replacement kit only.

* Includes grease fitting.



TYPE "B" SINGLE STAGE CENTRIFUGAL PUMP Bearing Frame Mount

Section	FM
Page	200.2
Date	January 1, 2004
Supersedes 12/1/95	

CAST IRON IMPELLER

B4JRMBHHS

Flanged Case

Mechanical Seal Construction

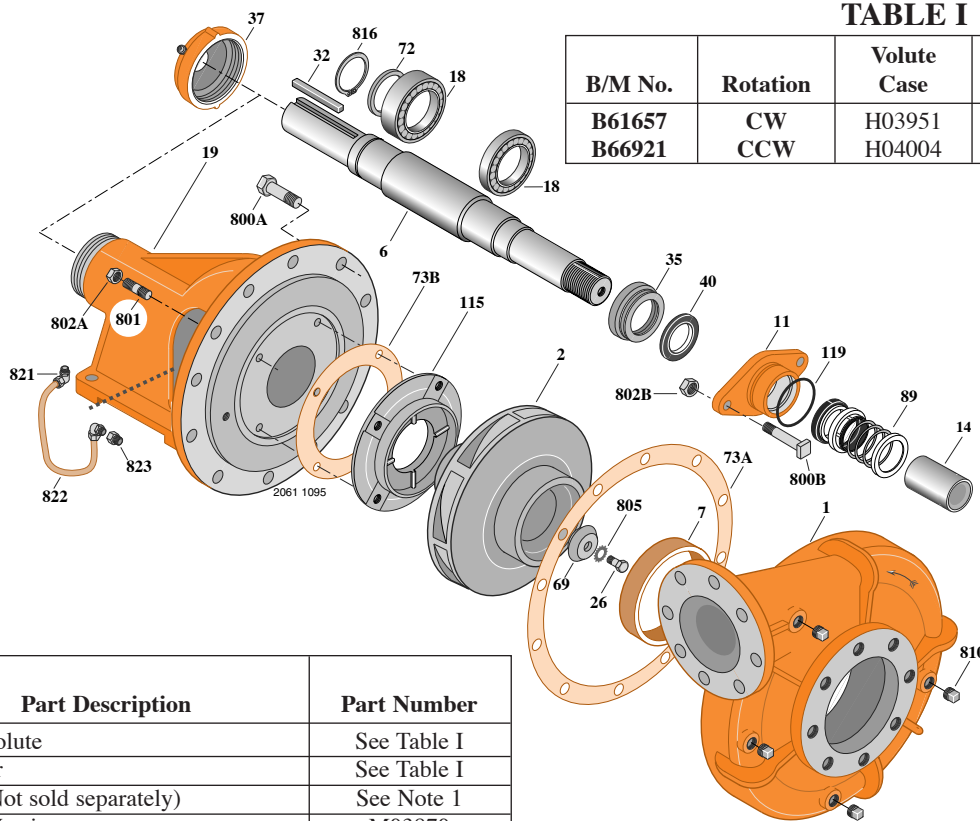


TABLE I

B/M No.	Rotation	Volute Case	Impeller	Impeller Diameter
B61657	CW	H03951	L05347	13.50"
B66921	CCW	H04004	L05369	13.50"

Item No.	Part Description	Part Number
1	Case, Volute	See Table I
2	Impeller	See Table I
6	Shaft (Not sold separately)	See Note 1
7	Ring, Wearing	M03870
11	Retainer, Mechanical Shaft Seal	S11452
14	Sleeve, Shaft	S05974
16	Bearing, Ball	S15604
18	Bearing, Ball	S13396
19	Frame	H01838
26	Screw, Impeller 1/2-13x1-1/4"	S23621
32	Key, 1/2x4"	S24214
35	Inner Bearing Cap	S05928
37	Outer Bearing Cap Assembly*	S35277
40	Slinger, Water	S10964
69	Washer, Impeller	S19275
72	Ring, Thrust	S06519
73A	Gasket, Volute	S06271
73B	Gasket, Balance Ring	S09943
89	Seal, Mechanical Shaft	S32693
115	Ring, Balance	S19521
119	O-Ring	S26471
800A	Capscrew, Hex 5/8-11x1-1/2" (12 Req.)	S26999
800B	Bolt, Sq. Head 1/2-13x2-1/4" (2 Req.)	S23792
801	Stud, 3/8-16x1-1/2" (4 Req.)	S23995

Item No.	Part Description	Part Number
802A	Nut, Hex 3/8-16 (4 Req.)	S23103
802B	Nut, Hex 1/2-13x7/16" (2 Req.)	S23347
805A	Washer, Lock	S23038
810	Plug, Pipe 1/2 NPT (4 Req.)	S23717
811	Fitting, Grease	S23670
816	Ring, Retaining	S23016
821	Elbow, Comp. Fitting (2 Req.)	S24128
822	Tubing, Copper	S20677
823	Bushing, Pipe	S24544

1. **Shaft Replacement Kit** available for this model. Berkeley part number **B07596** for CW, **B07597** for CCW. Pump Shaft sold in shaft replacement kit only.

* Includes grease fitting.



TYPE "B" SINGLE STAGE CENTRIFUGAL PUMP Bearing Frame Mount

Section	FM
Page	210.1
Date	November 2, 2009
Supersedes 1/1/04	

CAST IRON IMPELLER

B4EYRMBM

Flanged Case

Packing Construction

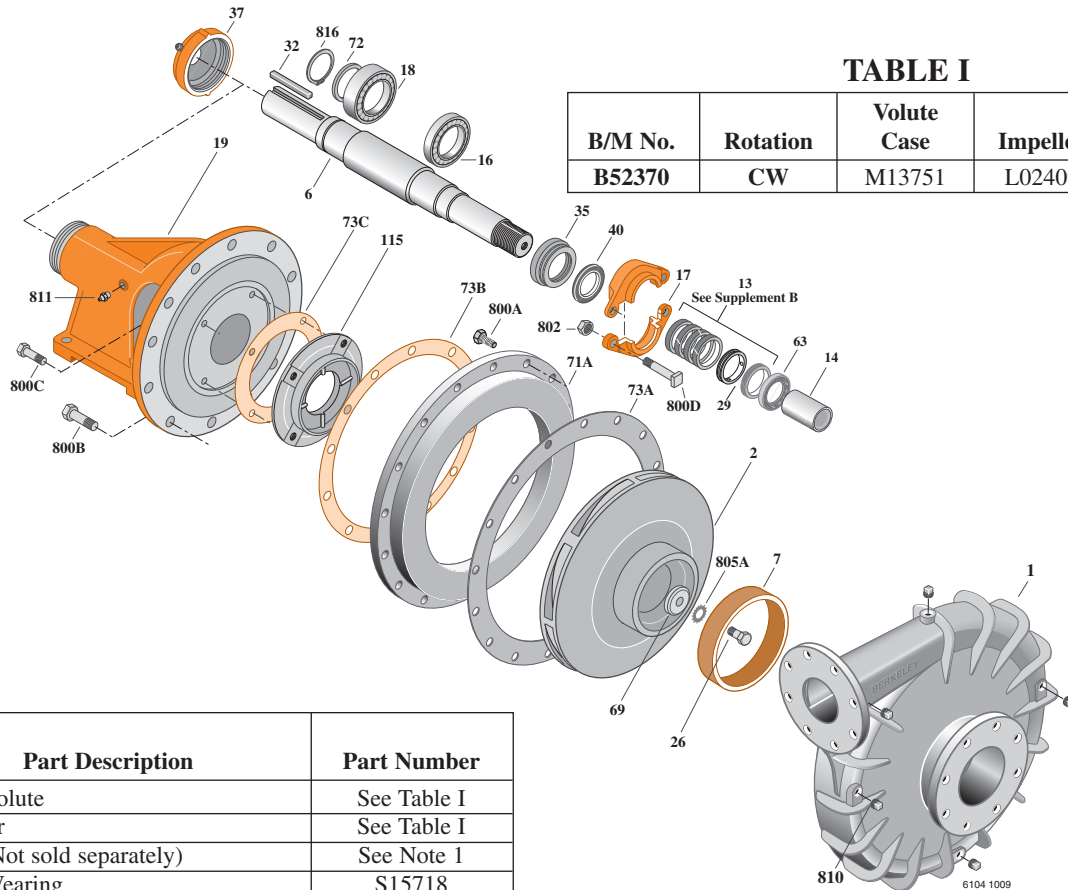


TABLE I

B/M No.	Rotation	Volute Case	Impeller	Impeller Diameter
B52370	CW	M13751	L02409	17.88"

Item No.	Part Description	Part Number
1	Case, Volute	See Table I
2	Impeller	See Table I
6	Shaft (Not sold separately)	See Note 1
7	Ring, Wearing	S15718
9	Cover, Suction	L01541
13	Ring, Packing (Set of 4)	S13436
14	Sleeve, Shaft	S05974L
16	Bearing, Ball	S15604
17	Gland, Packing	B82472
18	Bearing, Ball	S13396
19	Frame	H01599
26	Screw, Impeller 1/2-13-1-1/4"	S23621
29	Ring, Lantern	S18993
32	Key, 1/2x4"	S24214
35	Inner Bearing Cap	S05928
37	Outer Bearing Cap Assembly*	S35277
40	Slinger, Water	S10964
63	Bushing, Throat	S18992
69	Washer, Impeller	S06319
71A	Ring, Adapter	M13753
72	Ring, Thrust	S06519
73A	Gasket, Volute	S06401
73B	Gasket, Adapter	S06271
73C	Gasket, Balance Ring	S09943

Item No.	Part Description	Part Number
115	Ring, Balance	S12304
800A	Capscrew, Hex 5/8-11x1-3/4" (16 Req.)	S27001
800B	Capscrew, Hex 5/8-11x1-1/2" (12 Req.)	S26999
800C	Capscrew, Hex 3/8-16x1" (4 Req.)	S26826
800D	Bolt, Sq. Head 1/2-13x2-3/4" (2 Req.)	S23794
802	Nut, Hex 1/2-13x7/16" (2 Req.)	S23347
805A	Washer, Lock	S23038
810	Plug, Pipe 1/2 NPT (4 Req.)	S23717
811	Fitting, Grease	S23670
816	Ring, Retaining	S23016

2. **Shaft Replacement Kit** available for this model. Berkeley part number **B07596** for CW, **B07597** for CCW. Pump Shaft sold in shaft replacement kit only.

* Includes grease fitting.



TYPE "B" SINGLE STAGE CENTRIFUGAL PUMP Bearing Frame Mount

Section	FM
Page	210.2
Date	November 2, 2009
Supersedes 1/1/04	

CAST IRON IMPELLER

B4EYRMBMS

Flanged Case

Mechanical Seal Construction

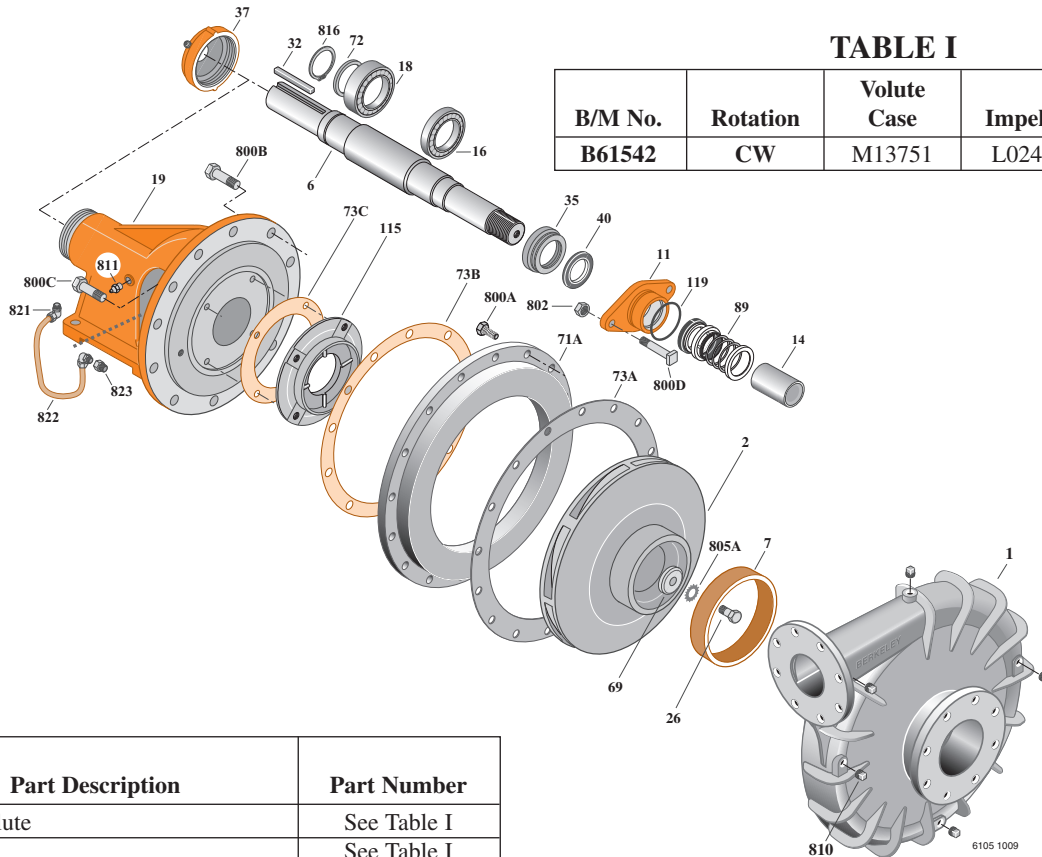


TABLE I

B/M No.	Rotation	Volute Case	Impeller	Impeller Diameter
B61542	CW	M13751	L02409	17.88"

Item No.	Part Description	Part Number
1	Case, Volute	See Table I
2	Impeller	See Table I
6	Shaft (Not sold separately)	See Note 1
7	Ring, Wearing	S15718
9	Cover, Suction	L01541
11	Retainer, Mechanical Shaft Seal	S11452
14	Sleeve, Shaft	S05974L
16	Bearing, Ball	S15604
18	Bearing, Ball	S13396
19	Frame	H01838
26	Screw, Impeller 1/2-13x1"	S23619
32	Key, 1/2x4"	S24214
35	Inner Bearing Cap	S05928
37	Outer Bearing Cap Assembly*	S35277
40	Slinger, Water	S10964
69	Washer, Impeller	S06319
71A	Ring, Adapter	M13753
72	Ring, Thrust	S06519
73A	Gasket, Volute	S06401
73B	Gasket, Adapter	S06271
73C	Gasket, Balance Ring	S09943
89	Seal, Mechanical Shaft	S32693
115	Ring, Balance	S13590
119	O-Ring	S26471

Item No.	Part Description	Part Number
800A	Capscrew, Hex 5/8-11x1-3/4" (16 Req.)	S27001
800B	Capscrew, Hex 5/8-11x1-1/2" (12 Req.)	S26999
800C	Capscrew, Hex 3/8-16x1" (4 Req.)	S26826
800D	Bolt, Sq. Head 1/2-13x2-1/4" (2 Req.)	S23792
802	Nut, Hex 1/2-13x7/16" (2 Req.)	S23347
805A	Washer, Lock	S23038
810	Plug, Pipe 1/2 NPT (4 Req.)	S23717
811	Fitting, Grease	S23670
816	Ring, Retaining	S23016
821	Elbow, Comp. Fitting (2 Req.)	S24128
822	Tubing, Copper	S20677
823	Bushing, Pipe	S24544

1. **Shaft Replacement Kit** available for this model. Berkeley part number **B07596** for CW, **B07597** for CCW. Pump Shaft sold in shaft replacement kit only.

* Includes grease fitting.



TYPE "B" SINGLE STAGE CENTRIFUGAL PUMP Bearing Frame Mount

Section	FM
Page	220.1
Date	November 2, 2009
Supersedes 1/1/04	

CAST IRON IMPELLER

B4EYRMBH

Flanged Case

Packing Construction

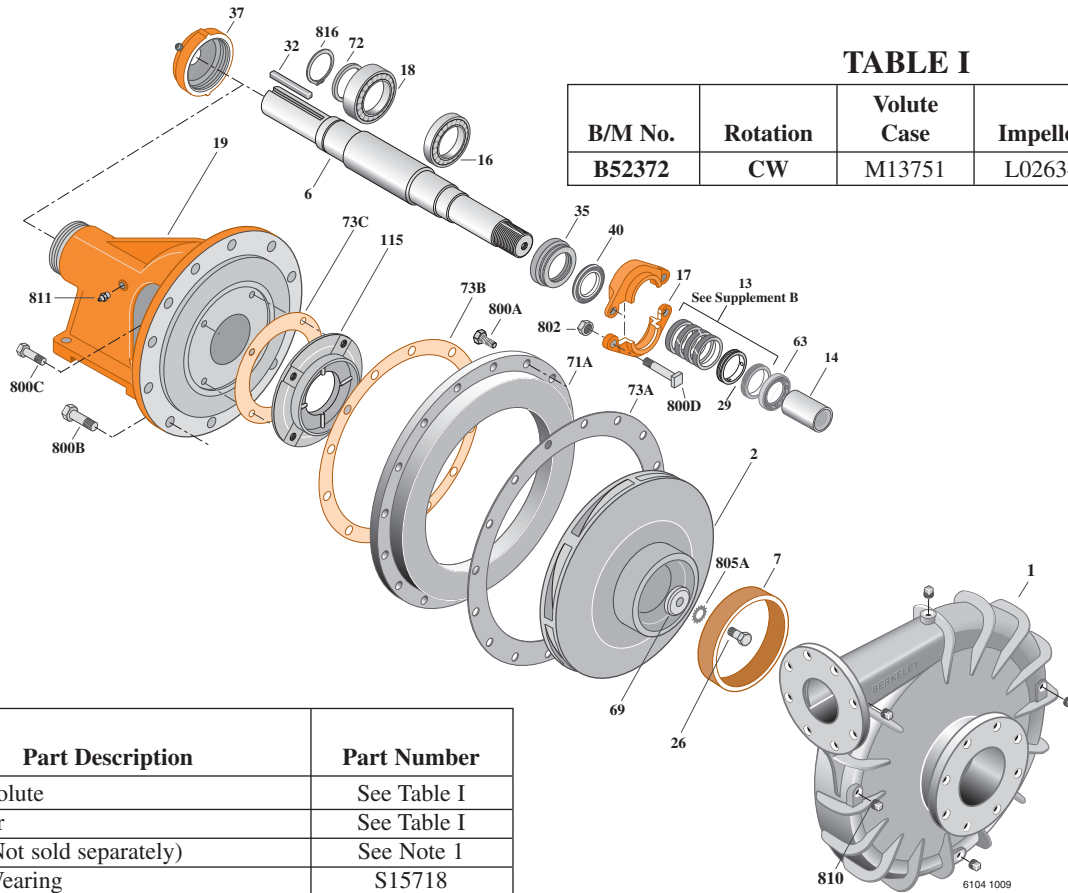


TABLE I

B/M No.	Rotation	Volute Case	Impeller	Impeller Diameter
B52372	CW	M13751	L02634	17.88"

Item No.	Part Description	Part Number
1	Case, Volute	See Table I
2	Impeller	See Table I
6	Shaft (Not sold separately)	See Note 1
7	Ring, Wearing	S15718
9	Cover, Suction	L01541
13	Ring, Packing (Set of 4)	S13436
14	Sleeve, Shaft	S05974L
16	Bearing, Ball	S15604
17	Gland, Packing	B82472
18	Bearing, Ball	S13396
19	Frame	H01599
26	Screw, Impeller 1/2-13x1-1/2"	S23621
29	Ring, Lantern	S18993
32	Key, 1/2x4"	S24214
35	Inner Bearing Cap	S05928
37	Outer Bearing Cap Assembly*	S35277
40	Slinger, Water	S10964
63	Bushing, Throat	S18992
69	Washer, Impeller	S06319
71A	Ring, Adapter	M13753
72	Ring, Thrust	S06519
73A	Gasket, Volute	S06401
73B	Gasket, Adapter	S06271
73C	Gasket, Balance Ring	S09943

Item No.	Part Description	Part Number
115	Ring, Balance	S12304
800A	Capscrew, Hex 5/8-11x1-3/4" (16 Req.)	S27001
800B	Capscrew, Hex 5/8-11x1-1/2" (12 Req.)	S26999
800C	Capscrew, Hex 3/8-16x1" (4 Req.)	S26826
800D	Bolt, Sq. Head 1/2-13x2-3/4" (2 Req.)	S23794
802	Nut, Hex 1/2-13x7/16" (2 Req.)	S23347
805A	Washer, Lock	S23038
810	Plug, Pipe 1/2 NPT (4 Req.)	S23717
811	Fitting, Grease	S23670
816	Ring, Retaining	S23016

- Shaft Replacement Kit** available for this model. Berkeley part number **B07596**. Pump Shaft sold in shaft replacement kit only.

* Includes grease fitting.



TYPE "B" SINGLE STAGE CENTRIFUGAL PUMP Bearing Frame Mount

Section	FM
Page	220.2
Date	November 2, 2009
Supersedes 1/1/04	

CAST IRON IMPELLER

B4EYRMBHS

Flanged Case

Mechanical Seal Construction

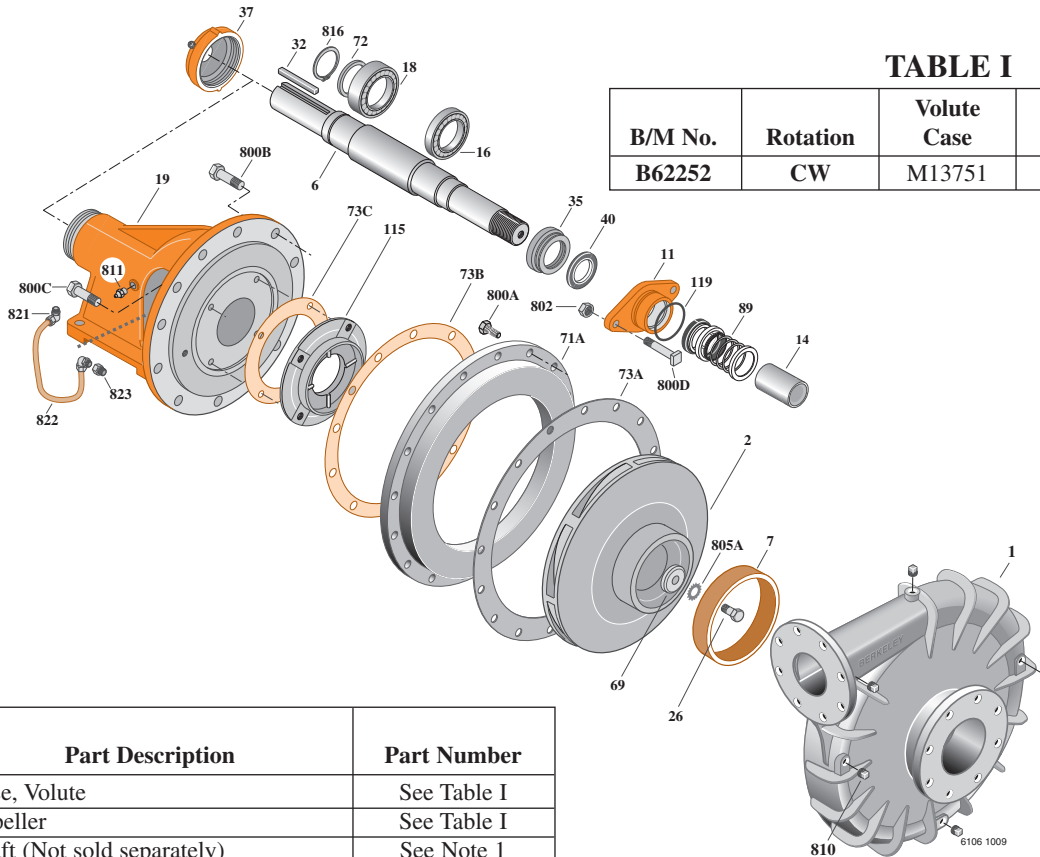


TABLE I

B/M No.	Rotation	Volute Case	Impeller	Impeller Diameter
B62252	CW	M13751	L02634	17.88"

Item No.	Part Description	Part Number
1	Case, Volute	See Table I
2	Impeller	See Table I
6	Shaft (Not sold separately)	See Note 1
7	Ring, Wearing	S15718
9	Cover, Suction	L01541
11	Retainer, Mechanical Shaft Seal	S11452
14	Sleeve, Shaft	S05974L
16	Bearing, Ball	S15604
18	Bearing, Ball	S13396
19	Frame	H01838
26	Screw, Impeller 1/2-13x1-1/4"	S23621
32	Key, 1/2x4"	S24214
35	Inner Bearing Cap	S05928
37	Outer Bearing Cap Assembly*	S35277
40	Slinger, Water	S10964
69	Washer, Impeller	S06319
71A	Ring, Adapter	M13753
72	Ring, Thrust	S06519
73A	Gasket, Volute	S06401
73B	Gasket, Adapter	S06271
73C	Gasket, Balance Ring	S09943
89	Seal, Mechanical Shaft Seal	S32693
115	Ring, Balance	S13590
119	O-Ring	S26471
800A	Capscrew, Hex 5/8-11x1-3/4"(16 Req.)	S27001

Item No.	Part Description	Part Number
800B	Capscrew, Hex 5/8-11x1-1/2"(12 Req.)	S26999
800C	Capscrew, Hex 3/8-16x1" (4 Req.)	S26826
800D	Bolt, Sq. Head 1/2-13x2-1/4" (2 Req.)	S23792
802	Nut, Hex 1/2-13x7/16"	S23347
805A	Washer, Lock	S23038
810	Plug, Pipe 1/2 NPT (4 Req.)	S23717
811	Fitting, Grease	S23670
816	Ring, Retaining	S23016
821	Elbow, Comp. Fitting (2 Req.)	S24128
822	Tubing, Copper	S20677
823	Bushing, Pipe	S24544

- Shaft Replacement Kit** available for this model. Berkeley part number **B07596**. Pump Shaft sold in shaft replacement kit only.

* Includes grease fitting.



TYPE "B" SINGLE STAGE CENTRIFUGAL PUMP Bearing Frame Mount

Section	FM
Page	230.1
Date	January 1, 2004
Supersedes 12/1/95	

CAST IRON IMPELLER

B5ERH

Flanged Case

Packing Construction

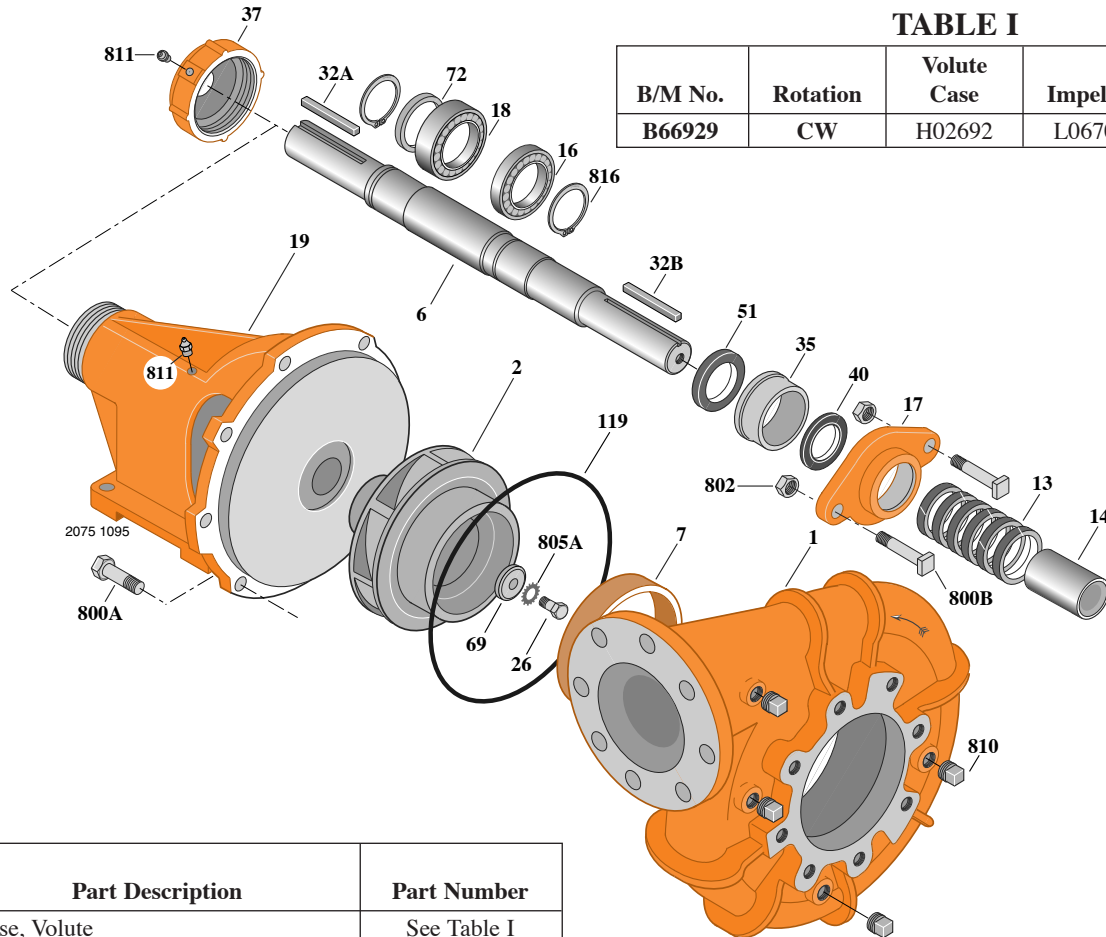


TABLE I

B/M No.	Rotation	Volute Case	Impeller	Impeller Diameter
B66929	CW	H02692	L06709	10.44"

Item No.	Part Description	Part Number
1	Case, Volute	See Table I
2	Impeller	See Table I
6	Shaft (Not sold separately)	See Note 2
7	Ring, Wearing	S15630
13	Ring, Packing	S14022
14	Sleeve, Shaft	S05127
16	Bearing, Ball	S29895
17	Gland, Packing (See Note 1)	S04948
18	Bearing, Ball	S13271
19	Frame	H02089
26	Screw, Impeller 3/8-16x1"	S23566
32A	Key, 1/4x2-1/8"	S24255
32B	Key, 3/16x1-1/2"	S23500
35	Inner Bearing Cap	S13214
37	Outer Bearing Cap	S29308
40	Slinger, Water	M09685
51	Seal, Oil	S14763
69	Washer, Impeller	S06314
72	Ring, Thrust	S29218
119	O-Ring	S13760

Item No.	Part Description	Part Number
800A	Capscrew, Hex 1/2-13x1-1/4" (8 Req.)	S26914
800B	Bolt, Sq. Head 3/8-16x2-1/2" (2 Req.)	S23762
802	Nut, Hex 3/8-16 (2 Req.)	S23343
805A	Washer, Lock	S23036
810	Plug, Pipe 1/2 NPT (4 Req.)	S23717
811	Fitting, Grease (3 Req.)	S23670
816	Ring, Retaining	S23010

1. A two piece (split) stainless steel packing gland is available for replacement, order part number **B82468**.
2. **Shaft Replacement Kit** available for this model. Berkeley part number **B60633**. Pump Shaft sold in shaft replacement kit only.



TYPE "B" SINGLE STAGE CENTRIFUGAL PUMP Bearing Frame Mount

Section	FM
Page	230.2
Date	January 1, 2004
Supersedes 12/1/95	

CAST IRON IMPELLER

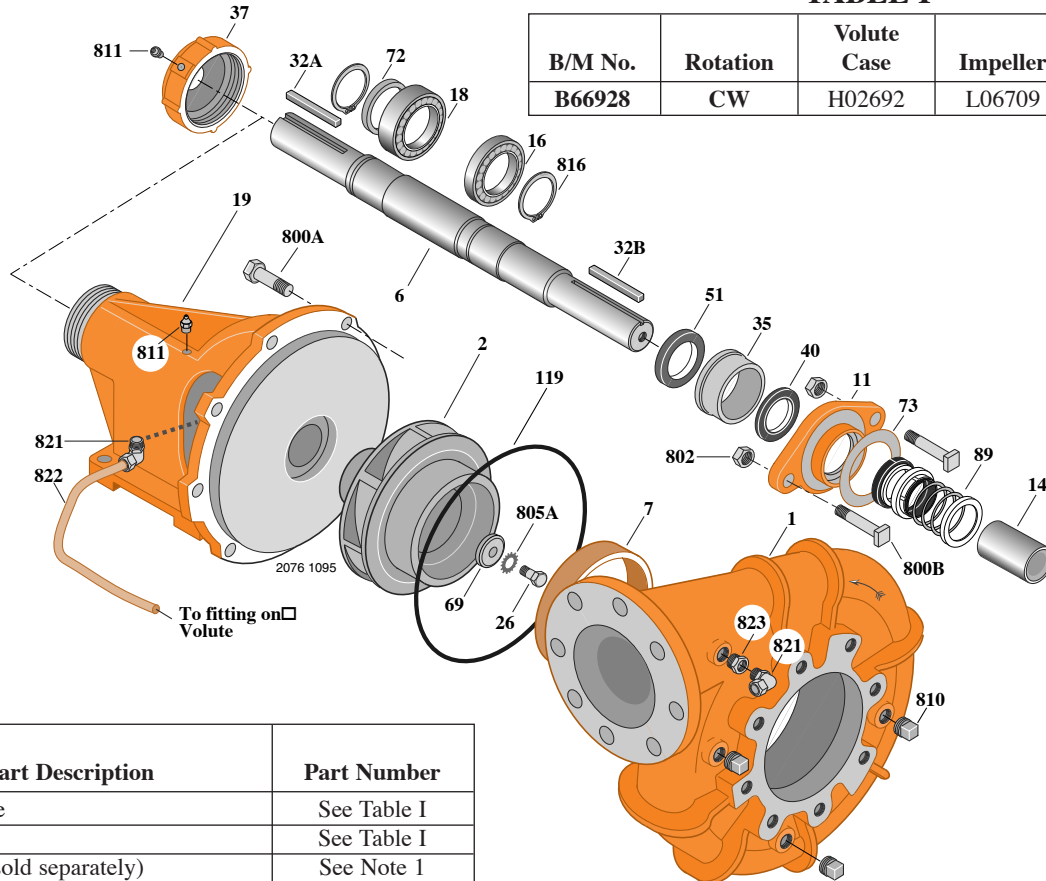
B5ERHS

Flanged Case

Mechanical Seal Construction

TABLE I

B/M No.	Rotation	Volute Case	Impeller	Impeller Diameter
B66928	CW	H02692	L06709	10.44"



Item No.	Part Description	Part Number
1	Case, Volute	See Table I
2	Impeller	See Table I
6	Shaft (Not sold separately)	See Note 1
7	Ring, Wearing	S15630
11	Retainer, Mechanical Shaft Seal	S05993
14	Sleeve, Shaft	S05127
16	Bearing, Ball	S29895
18	Bearing, Ball	S13271
19	Frame	H03960
26	Screw, Impeller 3/8-16x1"	S23566
32A	Key, 1/4x2-1/8"	S24255
32B	Key, 3/16x1-1/2"	S23500
35	Inner Bearing Cap	S13214
37	Outer Bearing Cap	S29308
40	Slinger, Water	M09685
51	Seal, Oil	S14763
69	Washer, Impeller	S06314
72	Ring, Thrust	S29218
73	Gasket, Seal Retainer	S08911
89	Seal, Mechanical Shaft	S32689
119	O-Ring	S13760
800A	Capscrew, Hex 1/2-13x1-1/4" (8 Req.)	S26914
800B	Bolt, Sq. Head 3/8-16x1-3/4" (2 Req.)	S23759

Item No.	Part Description	Part Number
802	Nut, Hex 3/8-16 (2 Req.)	S23343
805A	Washer, Lock	S23036
810	Plug, Pipe 1/2 NPT (4 Req.)	S23717
811	Fitting, Grease (3 Req.)	S23670
816	Ring, Retaining (2 Req.)	S23010
821	Elbow, Comp. Fitting (2 Req.)	S24128
822	Tubing, Copper	S20677
823	Bushing, Pipe	S24605

- Shaft Replacement Kit** available for this model. Berkeley part number **B60633**. Pump Shaft sold in shaft replacement kit only.



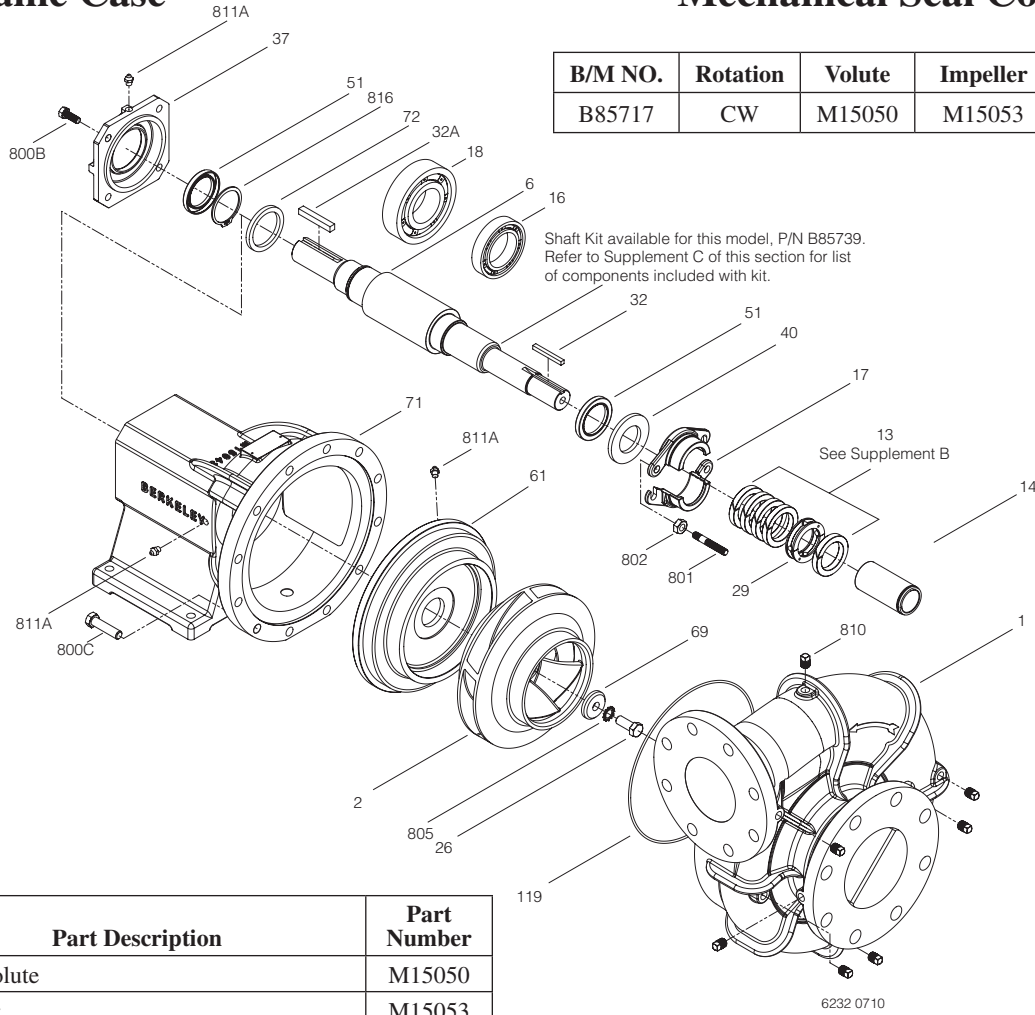
Type "B" Single Stage Centrifugal Pump Bearing Frame Mount

Section	FM
Page	238.1
Date	January 10, 2011
New	

CAST IRON IMPELLER
B6ZRBHH

Power Frame Case

Mechanical Seal Construction



B/M NO.	Rotation	Volute	Impeller	Impeller Dia.
B85717	CW	M15050	M15053	9.50

Item No.	Part Description	Part Number
1	Case, Volute	M15050
2	Impeller	M15053
6	Shaft	M15091
13	Ring, Packing (Set of 4)	S13435
14	Sleeve, Shaft (Note 3)	B85741
16	Bearing, Ball	M15097
17	Gland, Packing	B82470
18	Bearing, Ball	S13754
26	Screw, Impeller	S23621
29	Ring, Lantern	S19200
32	Key, 1/4" X 2-1/4"	S23677
32A	Key, 3/8" x 2-1/2"	S23941
37	Outer Bearing Cap	M15054
40	Slinger, Water	S10964
51	Seal, Oil (2 rqd)	M12337
61	Plate, Seal	M15047
69	Washer, Impeller	S06319
71	Bracket	M15043

72	Ring, Thrust	M15095
119	O-Ring	M15099
800B	Screw, 3/8-16 X 1" LG CRS (4 rqd)	S26826
800C	Screw, 1/2-13NC X 2" LG CRS (12 rqd)	S26920
801	Stud, 3/8-16NC X 2-1/2" LG 416SS (2 rqd)	S04438
802	Nut, Hex, Lock 3/8-16 SS (2 rqd)	M13771
805	Washer, Lock	S23038
810	Plug, Pipe	S23715
811A	Fitting, Grease (3 rqd)	S23700
816	Ring, Retaining	M15094

NOTES

- 1 Shaft replacement kit B85739 includes items 6, 14, 16, 18, 26, 32, 32A, 40, 51, 69, 72, 805, 816
- 2 Impeller kit B85754 includes items 26, 32, 69, 119, 805
- 3 Shaft sleeve kit B85741 includes item 14, adhesive and instruction sheet



Type "B" Single Stage Centrifugal Pump Bearing Frame Mount

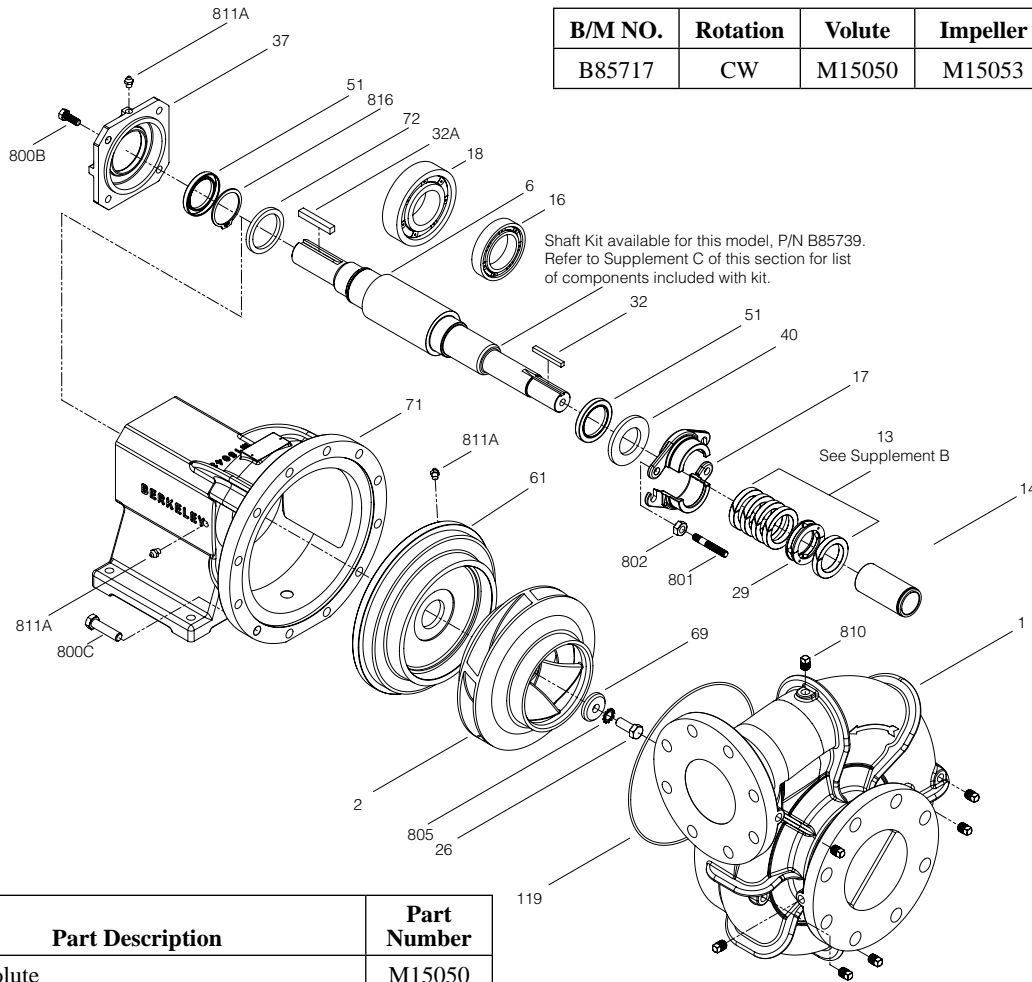
Section	FM
Page	238.1
Date	May 1, 2011
Supersedes 1/10/11	

CAST IRON IMPELLER

B6ZRBHH

Power Frame Case

Packing Construction



B/M NO.	Rotation	Volute	Impeller	Impeller Dia.
B85717	CW	M15050	M15053	9.50

Shaft Kit available for this model, P/N B85739.
Refer to Supplement C of this section for list of components included with kit.

See Supplement B

Item No.	Part Description	Part Number
1	Case, Volute	M15050
2	Impeller	M15053
6	Shaft	M15091
13	Ring, Packing (Set of 4)	S13435
14	Sleeve, Shaft (Note 3)	B85741
16	Bearing, Ball	M15097
17	Gland, Packing	B82470
18	Bearing, Ball	S13754
26	Screw, Impeller	S23621
29	Ring, Lantern	S19200
32	Key, 1/4" X 2-1/4"	S23677
32A	Key, 3/8" x 2-1/2"	S23941
37	Outer Bearing Cap	M15054
40	Slinger, Water	S10964
51	Seal, Oil (2 rqd)	M12337
61	Plate, Seal	M15047
69	Washer, Impeller	S06319

71	Bracket	M15043
72	Ring, Thrust	M15095
119	O-Ring	M15099
800B	Screw, 3/8-16 X 1" LG CRS (4 rqd)	S26826
800C	Screw, 1/2-13NC X 2" LG CRS (12 rqd)	S26920
801	Stud, 3/8-16NC X 2-1/2" LG 416SS (2 rqd)	S04438
802	Nut, Hex, Lock 3/8-16 SS (2 rqd)	M13771
805	Washer, Lock	S23038
810	Plug, Pipe	S23715
811A	Fitting, Grease (3 rqd)	S23700
816	Ring, Retaining	M15094

NOTES

- 1 Shaft replacement kit B85739 includes items 6, 14, 16, 18, 26, 32, 32A, 40, 51, 69, 72, 805, 816
- 2 Impeller kit B85754 includes items 26, 32, 69, 119, 805
- 3 Shaft sleeve kit B85741 includes item 14, adhesive and instruction sheet



Type "B" Single Stage Centrifugal Pump Bearing Frame Mount

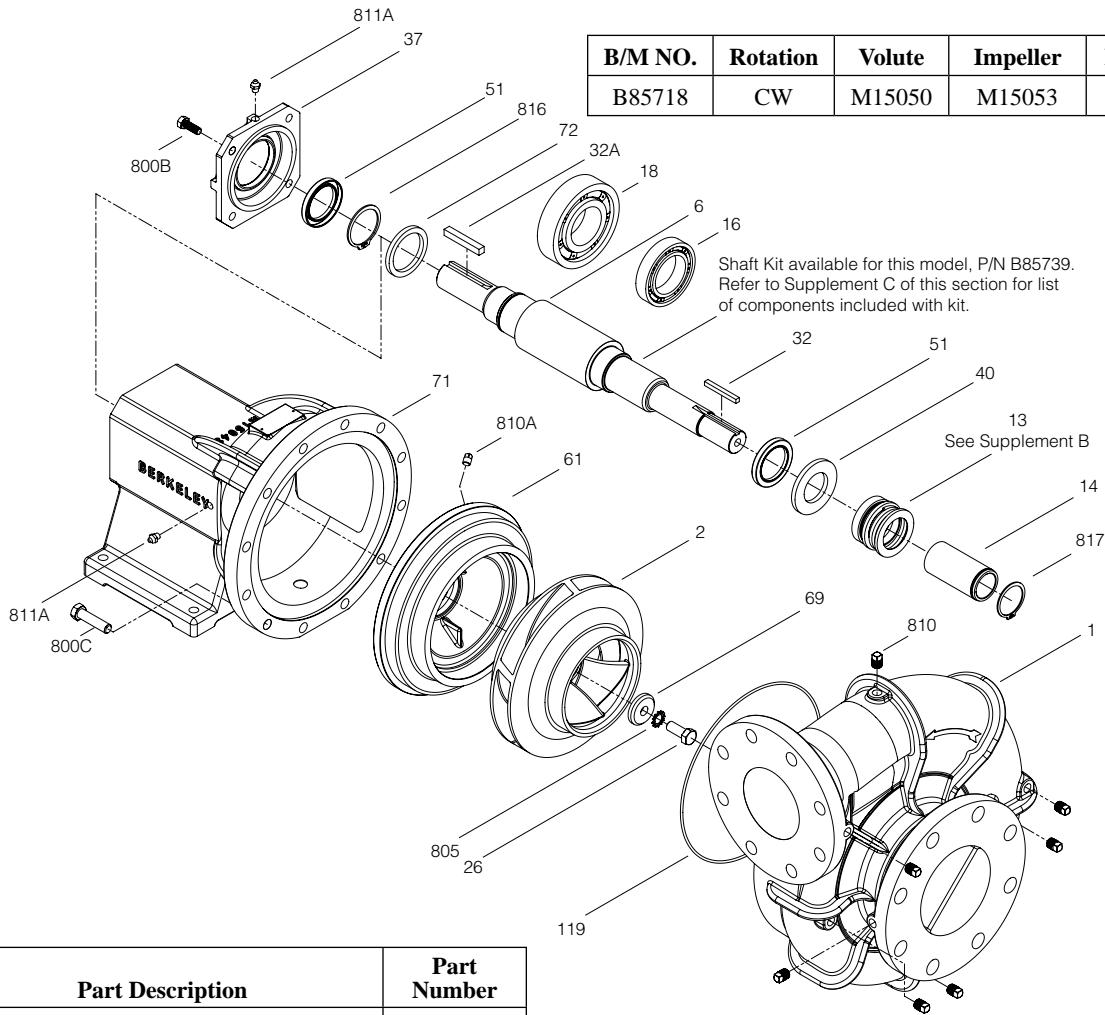
Section	FM
Page	238.2
Date	May 1, 2011
Supersedes 1/10/11	

CAST IRON IMPELLER

B6ZRBHHS

Power Frame Case

Mechanical Seal Construction



B/M NO.	Rotation	Volute	Impeller	Impeller Dia.
B85718	CW	M15050	M15053	9.50

Item No.	Part Description	Part Number
1	Case, Volute	M15050
2	Impeller	M15053
6	Shaft	M15091
13	Seal, Mechanical	S32015
14	Sleeve, Shaft (Note 3)	B85741
16	Bearing, Ball	M15097
18	Bearing, Ball	S13754
26	Screw, Impeller	S23621
32	Key, 1/4" X 2-1/4"	S23677
32A	Key, 3/8" x 2-1/2"	S23941
37	Outer Bearing Cap	M15054
40	Slinger, Water	S10964
51	Seal, Oil	M12337
61	Plate, Seal	M15046
69	Washer, Impeller	S06319
71	Bracket	M15043

72	Ring, Thrust	M15095
119	O-Ring	M15099
800B	Screw, 3/8-16 X 1 LG CRS (4 rqd)	S26826
800C	Screw, 1/2-13NC X 2 LG CRS (12 rqd)	S26920
805	Washer, Lock	S23038
810	Plug, Pipe	S23715
810A	Plug, Pipe	U78-56ZPS
811A	Fitting, Grease	S23700
816	Ring, Retaining	M15094
817	Ring, Retaining	S16767

NOTES

- 1 Shaft replacement kit B85739 includes items 6, 14, 16, 18, 26, 32, 32A, 40, 51, 69, 72, 805, 816
- 2 Impeller kit B85754 includes items 26, 32, 69, 119, 805
- 3 Shaft sleeve kit B85741 includes item 14, adhesive and instruction sheet



TYPE "B" SINGLE STAGE CENTRIFUGAL PUMP Bearing Frame Mount

Section	FM
Page	240.1
Date	January 1, 2004
Supersedes 12/1/95	

CAST IRON IMPELLER

B6ZRL

Flanged Case

Packing Construction

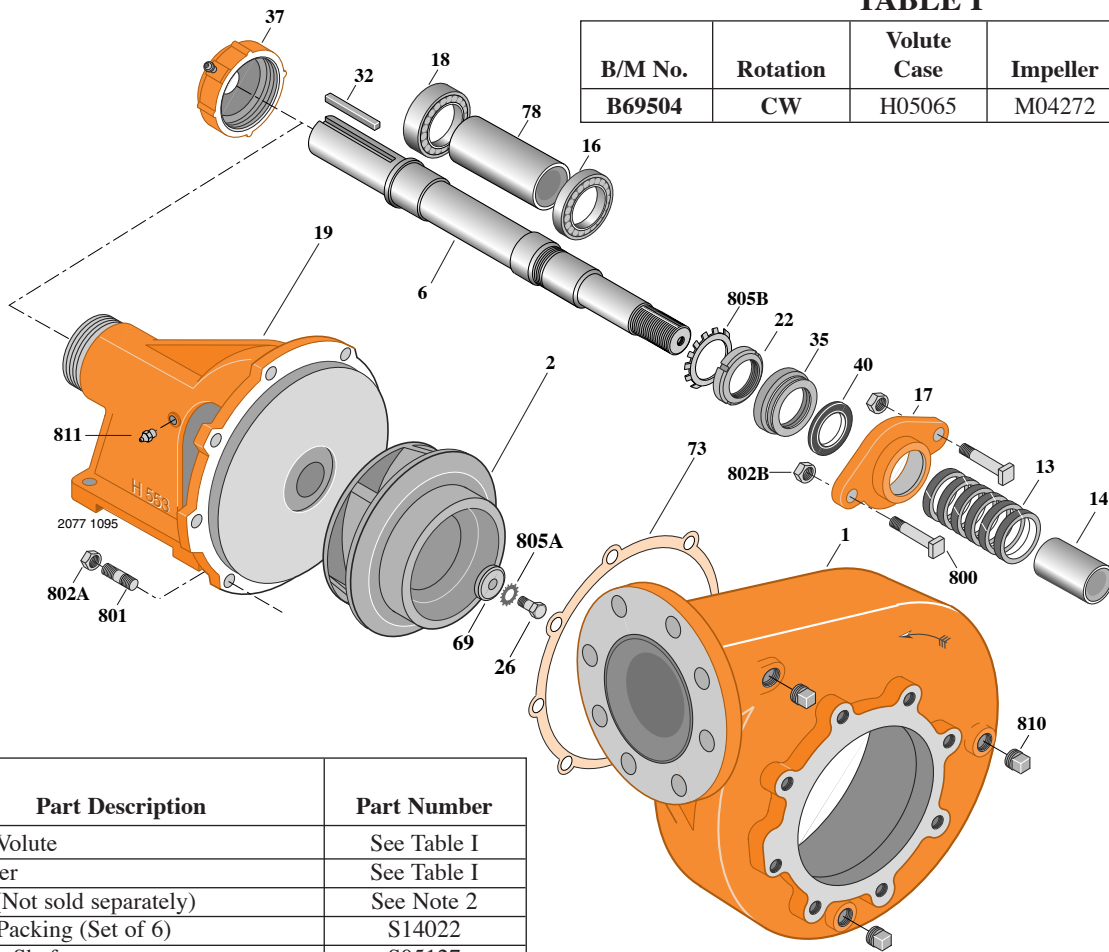


TABLE I

B/M No.	Rotation	Volute Case	Impeller	Impeller Diameter
B69504	CW	H05065	M04272	8" x 9"

Item No.	Part Description	Part Number
1	Case, Volute	See Table I
2	Impeller	See Table I
6	Shaft (Not sold separately)	See Note 2
13	Ring, Packing (Set of 6)	S14022
14	Sleeve, Shaft	S05127
16	Bearing, Ball	S13270
17	Gland, Packing (See Note 1)	S04948
18	Bearing, Ball	S13271
19	Frame	H00553
22	Locknut	M10221
26	Screw, Impeller 3/8-16x2-1/4"	S23575
32	Key, 1/4x2-1/8"	S24255
35	Inner Bearing Cap	S19033
37	Outer Bearing Cap Assembly*	S19914
40	Slinger, Water	S12260
69	Washer, Impeller	S06314
73	Gasket, Volute	S05126
78	Sleeve, Spacer	S08980
800	Bolt, Sq. Head 3/8-16x2-1/2" (2 Req.)	S23762
801	Stud, 3/8-16x1-1/4" (8 Req.)	S23994

Item No.	Part Description	Part Number
802A	Nut, Hex 3/8-16 (8 Req.)	S23103
802B	Nut, Hex 3/8-16 (2 Req.)	S23343
805A	Washer, Lock	S23036
805B	Washer, Bearing Lock	S16181
810	Plug, Pipe 1/2 NPT (3 Req.)	S23717
811	Fitting, Grease	S23670

1. A two piece (split) stainless steel packing gland is available for replacement, order part number **B82468**.
2. **Shaft Replacement Kit** available for this model. Berkeley part number **B07480**. Pump Shaft sold in shaft replacement kit only.

* Includes grease fitting and set screw.



TYPE "B" SINGLE STAGE CENTRIFUGAL PUMP Bearing Frame Mount

Section	FM
Page	240.2
Date	January 1, 2004
Supersedes 12/1/95	

CAST IRON IMPELLER

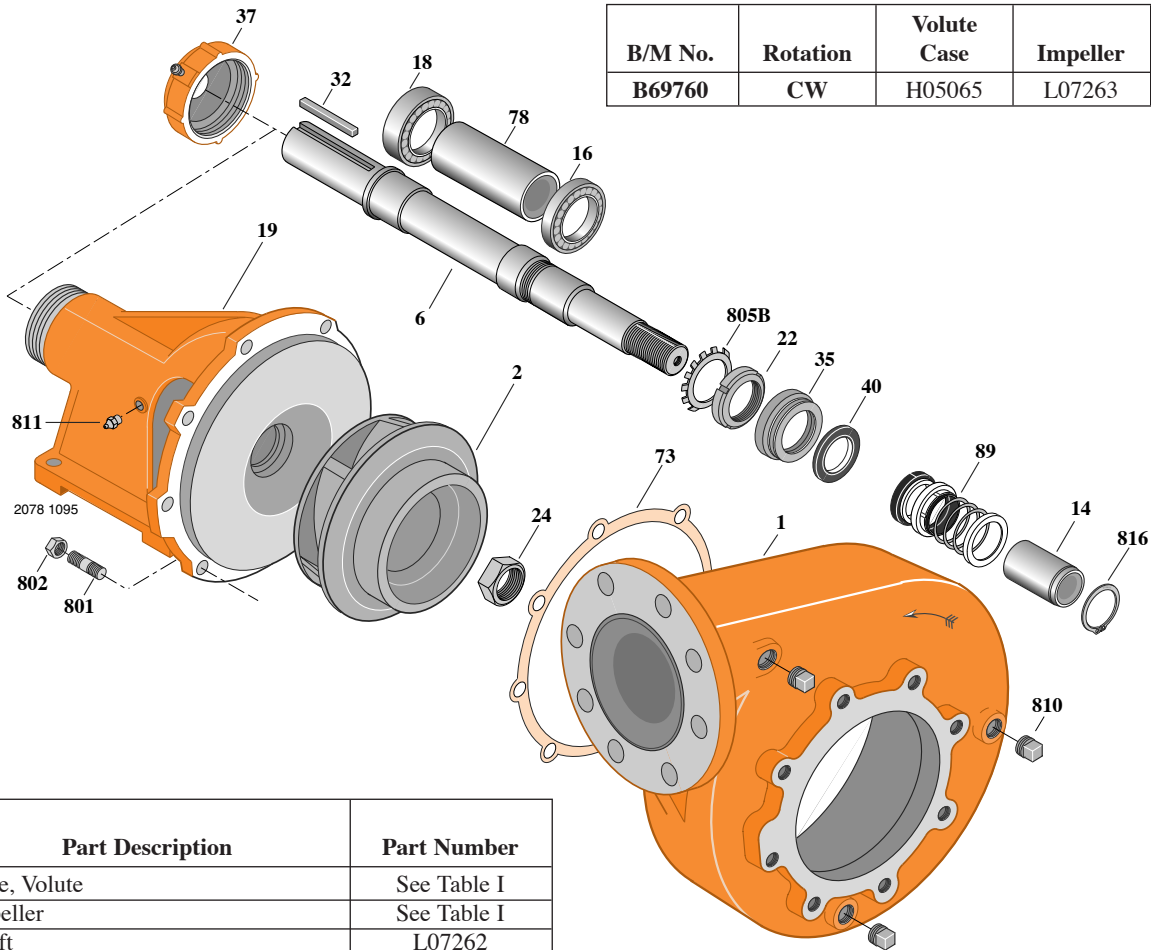
B6ZRLS

Flanged Case

Mechanical Seal Construction

TABLE I

B/M No.	Rotation	Volute Case	Impeller	Impeller Diameter
B69760	CW	H05065	L07263	8" x 9"



Item No.	Part Description	Part Number
1	Case, Volute	See Table I
2	Impeller	See Table I
6	Shaft	L07262
14	Sleeve, Shaft	S39242
16	Bearing, Ball	S13270
18	Bearing, Ball	S13271
19	Frame	H04007
22	Locknut	M10221
24	Locknut, Impeller	M10220
32	Key, 1/4x2-1/8"	S24255
35	Inner Bearing Cap	S19033
37	Outer Bearing Cap Assembly*	S19914
40	Slinger, Water	S12260
73	Gasket, Volute	S05126
78	Sleeve, Spacer	S08980
89	Seal, Mechanical Shaft	S32690
801	Stud, 3/8-16x1-1/2" (8 Req.)	S23995
802	Nut, Hex 3/8-16 (8 Req.)	S23103

Item No.	Part Description	Part Number
805B	Washer, Bearing Lock	S16181
810	Plug, Pipe 1/2 NPT (3 Req.)	S23717
811	Fitting, Grease	S23670
816	Ring, Retaining	S23009

* Includes grease fitting and set screw.



TYPE "B" SINGLE STAGE CENTRIFUGAL PUMP Bearing Frame Mount

Section	FM
Page	250.1
Date	January 1, 2004
Supersedes 12/1/95	

CAST IRON IMPELLER

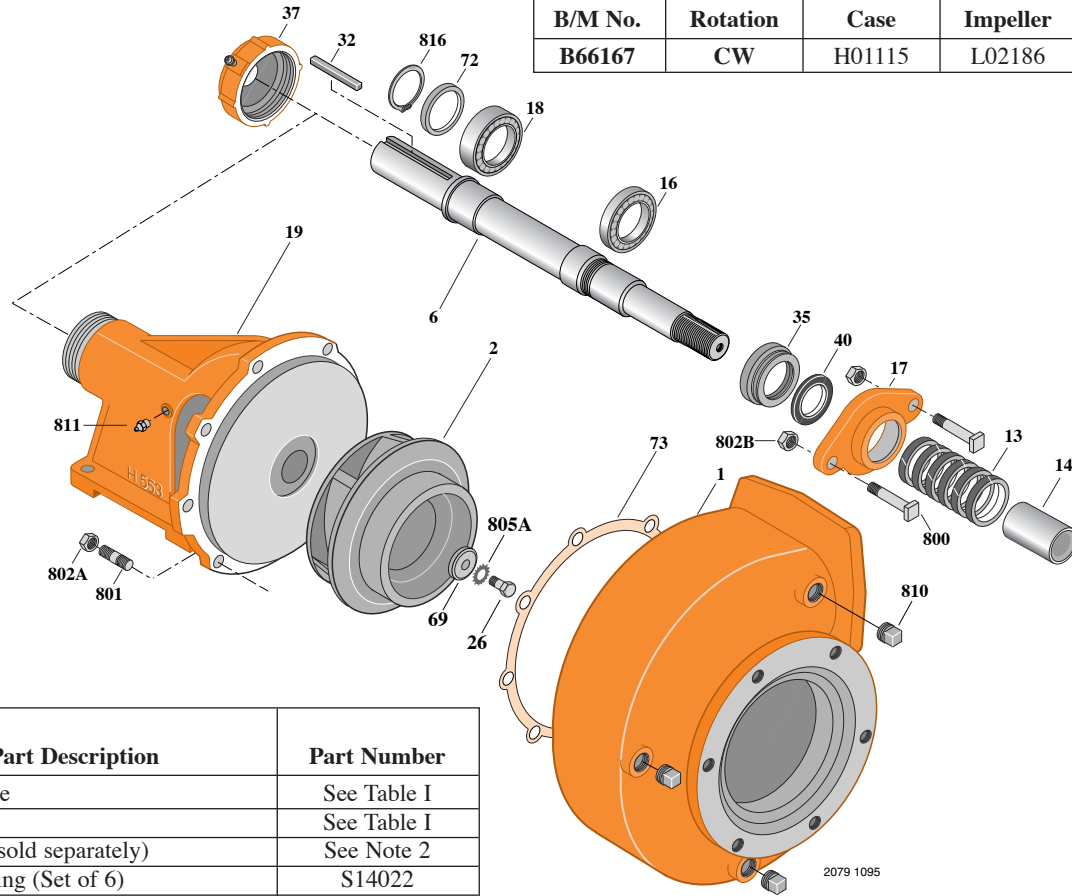
B6ZRM

Special Flanged Case

Packing Construction

TABLE I

B/M No.	Rotation	Volute Case	Impeller	Impeller Diameter
B66167	CW	H01115	L02186	7.75"



Item No.	Part Description	Part Number
1	Case, Volute	See Table I
2	Impeller	See Table I
6	Shaft (Not sold separately)	See Note 2
13	Ring, Packing (Set of 6)	S14022
14	Sleeve, Shaft	S05127
16	Bearing, Ball	S13270
17	Gland, Packing (See Note 1)	S04948
18	Bearing, Ball	S13271
19	Frame	H00553
26	Screw, Impeller 3/8-16-2-1/4"	S23575
32	Key, 1/4x2-1/8"	S24255
35	Inner Bearing Cap	S19033
37	Outer Bearing Cap Assembly*	S19914
40	Slinger, Water	S12260
69	Washer, Impeller	S06314
72	Ring, Thrust	S29218
73	Gasket, Volute	S05126
800	Bolt, Sq. Head 3/8-16x2-1/2" (2 Req.)	S23672
801	Stud, 3/8-16x1-1/4" (8 Req.)	S23994
802A	Nut, Hex 3/8-16 (8 Req.)	S23103

Item No.	Part Description	Part Number
802B	Nut, Hex 3/8-16 (2 Req.)	S23343
805B	Washer, Bearing Lock	S16181
810	Plug, Pipe 1/2 NPT (4 Req.)	S23717
811	Fitting, Grease	S23670
816	Ring, Retaining	S23010

1. A two piece (split) stainless steel packing gland is available for replacement, order part number **B82468**.
2. **Shaft Replacement Kit** available for this model. Berkeley part number **B80695**. Pump Shaft sold in shaft replacement kit only.

* Includes grease fitting and set screw.



TYPE "B" SINGLE STAGE CENTRIFUGAL PUMP Bearing Frame Mount

Section	FM
Page	250.2
Date	January 1, 2004
Supersedes 12/1/95	

CAST IRON IMPELLER

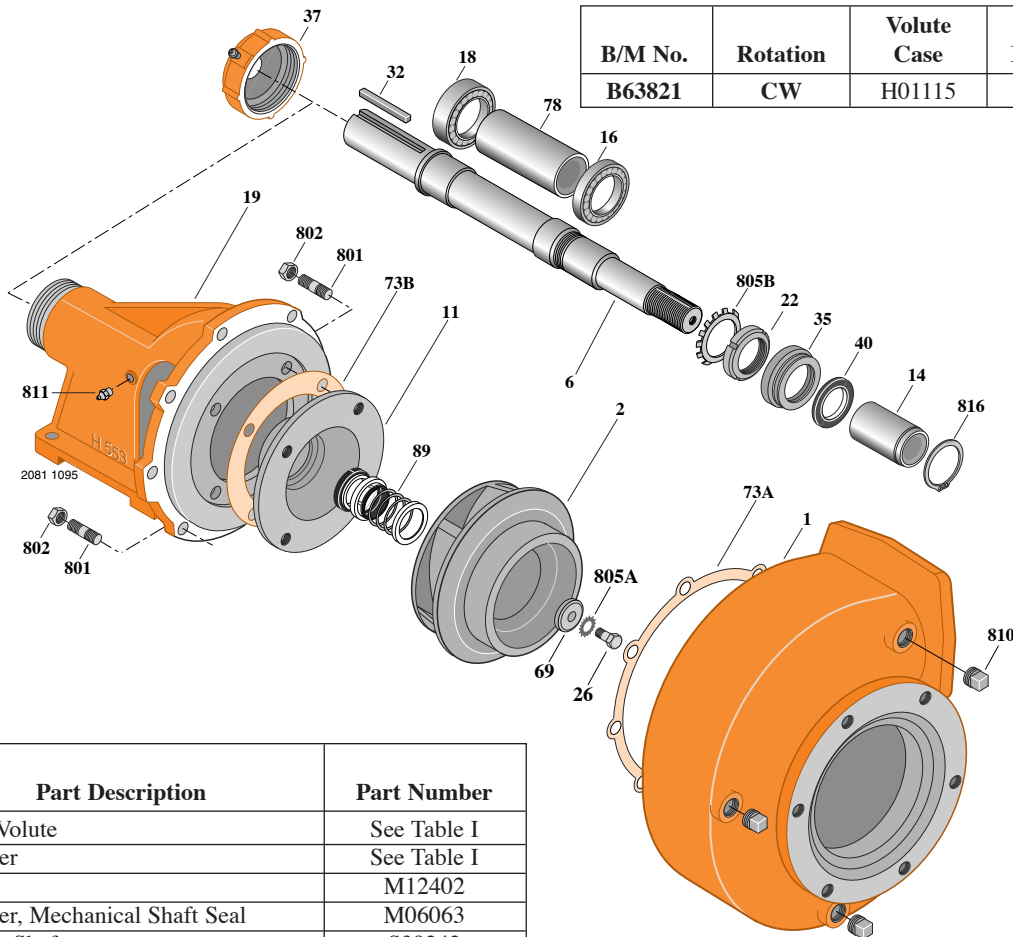
B6ZRMS

Special Flanged Case

Mechanical Seal Construction

TABLE I

B/M No.	Rotation	Volute Case	Impeller	Impeller Diameter
B63821	CW	H01115	L02186	7.75"



Item No.	Part Description	Part Number
1	Case, Volute	See Table I
2	Impeller	See Table I
6	Shaft	M12402
11	Retainer, Mechanical Shaft Seal	M06063
14	Sleeve, Shaft	S39242
16	Bearing, Ball	S13270
18	Bearing, Ball	S13271
19	Frame	H03837
22	Locknut	M10221
26	Screw, Impeller 3/8-16x2-1/4"	S23575
32	Key, 1/4x2-1/8"	S24255
35	Inner Bearing Cap	S19033
37	Outer Bearing Cap Assembly*	S19914
40	Slinger, Water	S12260
69	Washer, Impeller	S06314
73A	Gasket, Volute	S05126
73B	Gasket, Seal Retainer	S16800
78	Sleeve, Spacer	S08980
89	Seal, Mechanical Shaft	S32690
801	Stud, 3/8-16x1-1/4" (12 Req.)	S23994

Item No.	Part Description	Part Number
802	Nut, Hex 3/8-16 (12 Req.)	S23103
805A	Washer, Lock	S23036
805B	Washer, Bearing Lock	S16181
810	Plug, Pipe 1/2 NPT (4 Req.)	S23717
811	Fitting, Grease	S23670
816	Ring, Retaining	S23009

* Includes grease fitting and set screw.



TYPE "B" SINGLE STAGE CENTRIFUGAL PUMP Bearing Frame Mount

Section	FM
Page	260.1
Date	January 1, 2004
Supersedes 12/1/95	

CAST IRON IMPELLER

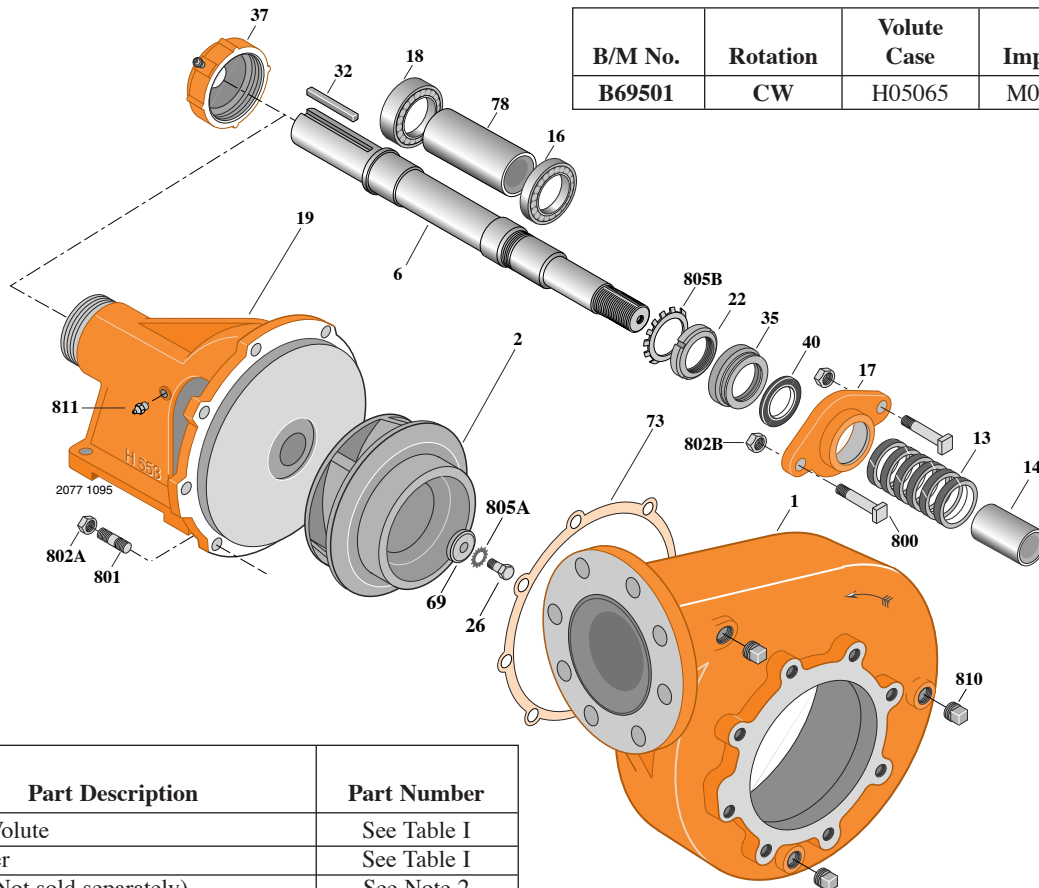
B6ZRH

Flanged Case

Packing Construction

TABLE I

B/M No.	Rotation	Volute Case	Impeller	Impeller Diameter
B69501	CW	H05065	M04186	8" x 9"



Item No.	Part Description	Part Number
1	Case, Volute	See Table I
2	Impeller	See Table I
6	Shaft (Not sold separately)	See Note 2
13	Ring, Packing (Set of 6)	S14022
14	Sleeve, Shaft	S05127
16	Bearing, Ball	S13270
17	Gland, Packing (See Note 1)	S04948
18	Bearing, Ball	S13271
19	Frame	H00553
22	Locknut	M10221
26	Screw, Impeller 3/8-16x1-3/4"	S23572
32	Key, 1/4x2-1/8"	S24255
35	Inner Bearing Cap	S19033
37	Outer Bearing Cap Assembly*	S19914
40	Slinger, Water	S12260
69	Washer, Impeller	S06314
73	Gasket, Volute	S05126
78	Sleeve, Spacer	S08980
800	Bolt, Sq. Head 3/8-16x2-1/2" (2 Req.)	S23762
801	Stud, 3/8-16x1-1/4" (8 Req.)	S23994

Item No.	Part Description	Part Number
802A	Nut, Hex 3/8-16 (8 Req.)	S23103
802B	Nut, Hex 3/8-16 (2 Req.)	S23343
805A	Washer, Lock	S23036
805B	Washer, Bearing Lock	S16181
810	Plug, Pipe 1/2 NPT (3 Req.)	S23717
811	Fitting, Grease	S23670

1. A two piece (split) stainless steel packing gland is available for replacement, order part number **B82468**.
2. **Shaft Replacement Kit** available for this model. Berkeley part number **B07480**. Pump Shaft sold in shaft replacement kit only.

* Includes grease fitting and set screw.



TYPE "B" SINGLE STAGE CENTRIFUGAL PUMP Bearing Frame Mount

Section	FM
Page	260.2
Date	January 1, 2004
Supersedes 12/1/95	

CAST IRON IMPELLER

B6ZRHS

Flanged Case

Mechanical Seal Construction

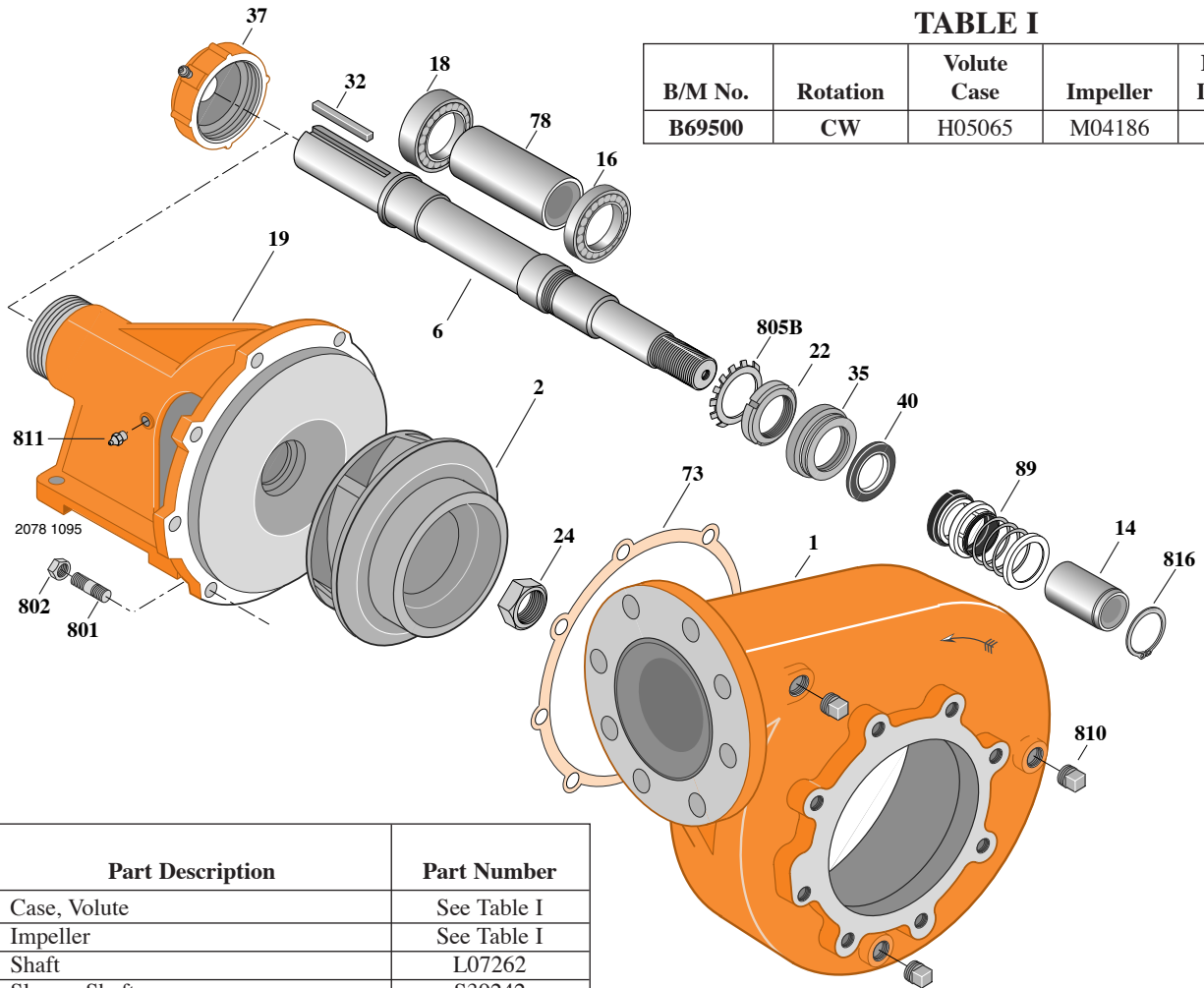


TABLE I

B/M No.	Rotation	Volute Case	Impeller	Impeller Diameter
B69500	CW	H05065	M04186	8" x 9"

Item No.	Part Description	Part Number
1	Case, Volute	See Table I
2	Impeller	See Table I
6	Shaft	L07262
14	Sleeve, Shaft	S39242
16	Bearing, Ball	S13270
18	Bearing, Ball	S13271
19	Frame	H04007
22	Locknut	M10221
24	Locknut, Impeller	M10220
32	Key, 1/4x2-1/8"	S24255
35	Inner Bearing Cap	S19033
37	Outer Bearing Cap Assembly*	S19914
40	Slinger, Water	S12260
73	Gasket, Volute	S05126
78	Sleeve, Spacer	S08980
89	Seal, Mechanical Shaft	S32690
801	Stud, 3/8-16x1-1/2" (8 Req.)	S23995
802	Nut, Hex 3/8-16 (8 Req.)	S23103

Item No.	Part Description	Part Number
805B	Washer, Bearing Lock	S16181
810	Plug, Pipe 1/2 NPT (3 Req.)	S23717
811	Fitting, Grease	S23670
816	Ring, Retaining	S23009

* Includes grease fitting and set screw.

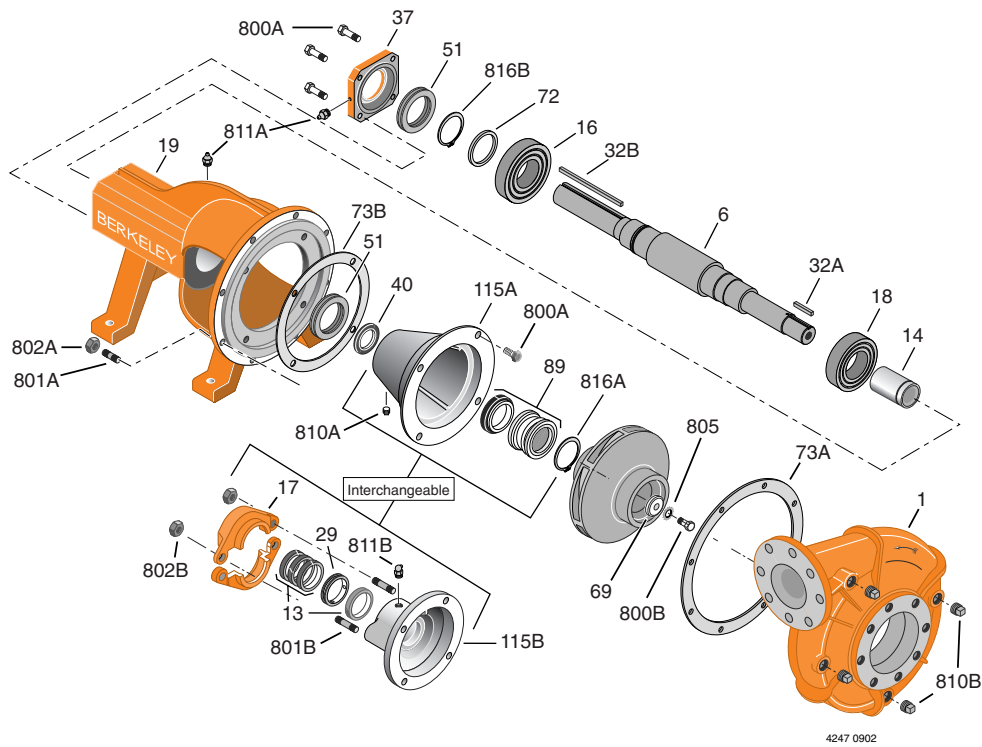


TYPE "B" SINGLE STAGE CENTRIFUGAL PUMP Bearing Frame Mount

Section	FM
Page	265.1
Date	January 1, 2004
Supersedes 7/1/02	

CAST IRON IMPELLER

B6ZRH(S), B6ZRL(S)



B6ZR Common Parts Groups Repair Parts List

Item No.	Part Description	Part Number
1	Volute Case, CW Flanged	H05065
6	Shaft	M12338
14	1-3/8" ID x 1-3/4" OD Shaft Sleeve	M12422
16	Single Row Ball Bearing	S13395
18	Ball Bearing	S13397
19	Bracket	M12332
32A	Shaft Key, 1/4" Sq. x 2-1/4" Lg. - Impeller	S23677
32B	Shaft Key, 3/8" Sq. x 2-1/4" Lg.	S23941
37	Bearing Cap	M12335
40	Water Slinger	S10964
51	Grease Seal (2 Req.)	M12337
69	Lock Washer	S06319
72	Thrust Ring	S06519
73A	Volute Gasket	S05126
73B	Balance Ring Gasket	S09943
800A	3/8-16 x 1" Lg. Hex Hd Capscrew (8 Req.)	S26826
800B	Impeller Capscrew B6ZRL(S)	S23619
800B	Impeller Capscrew B6ZRH(S)	S23631
801A	3/8-16 x 1-1/2" Lg. Stud (8 Req.)	S23995
802A	3/8-16 Hex Nut (8 Req.)	S23103
805	Impeller Lock Washer	S23083
810B	1/2" NPT Square Hd. Pipe Plug (3 Req.)	S23717
811A	Grease Fitting (2 Req.)	S23700
816B	External Retaining Ring	S23016

Packing Components

Item No.	Part Description	Part Number
13	Packing Ring Set	S13435
17	Split Packing Gland Set	B82470
29	Lantern Ring	S19200
115B	Packing Housing	M12334
801B	3/8-16NC x 2-1/2" Lg Stud (2 Req.)	S04438
802B	3/8-16 Hex Nut (2 Req.)	S23343
811B	1/8 MPT x 90° Grease Fitting	S23702

Seal Components

Item No.	Part Description	Part Number
89	1-3/4" Mechanical Shaft Seal	S32015
115A	Mechanical Seal Housing	M12333
810A	1/8" NPT Sq. Hd. Pipe Plug	S23714
816A	External Retaining Ring	S16767

Refer to following page for model specific repair parts listing.



**TYPE "B" SINGLE STAGE
CENTRIFUGAL PUMP
Bearing Frame Mount**

Section	FM
Page	265.2
Date	January 1, 2004
Supersedes 7/1/02	

CAST IRON IMPELLER

B6ZRH(S), B6ZRL(S)

B6ZR Series 1-1/2" x 10T, SAE 4 & 5

Pump Series	Catalog Number	Rotation	Style	Impeller	Impeller Material	Replacement Shaft Kit
B6ZRL	B80431	CW	Suction Flange 8" x 13-1/2" B59878	M04348	Cast Iron	B81663
B6ZRLS	B80432	CW				
B6ZRH	B80433	CW	Discharge Flange 6" x 11" B59872	M04349		
B6ZRHS	B80434	CW				



TYPE "B" SINGLE STAGE CENTRIFUGAL PUMP Bearing Frame Mount

Section	FM
Page	270.1
Date	January 1, 2004
Supersedes 12/1/95	

CAST IRON IMPELLER

B6JRMBL

Flanged Case

Packing Construction

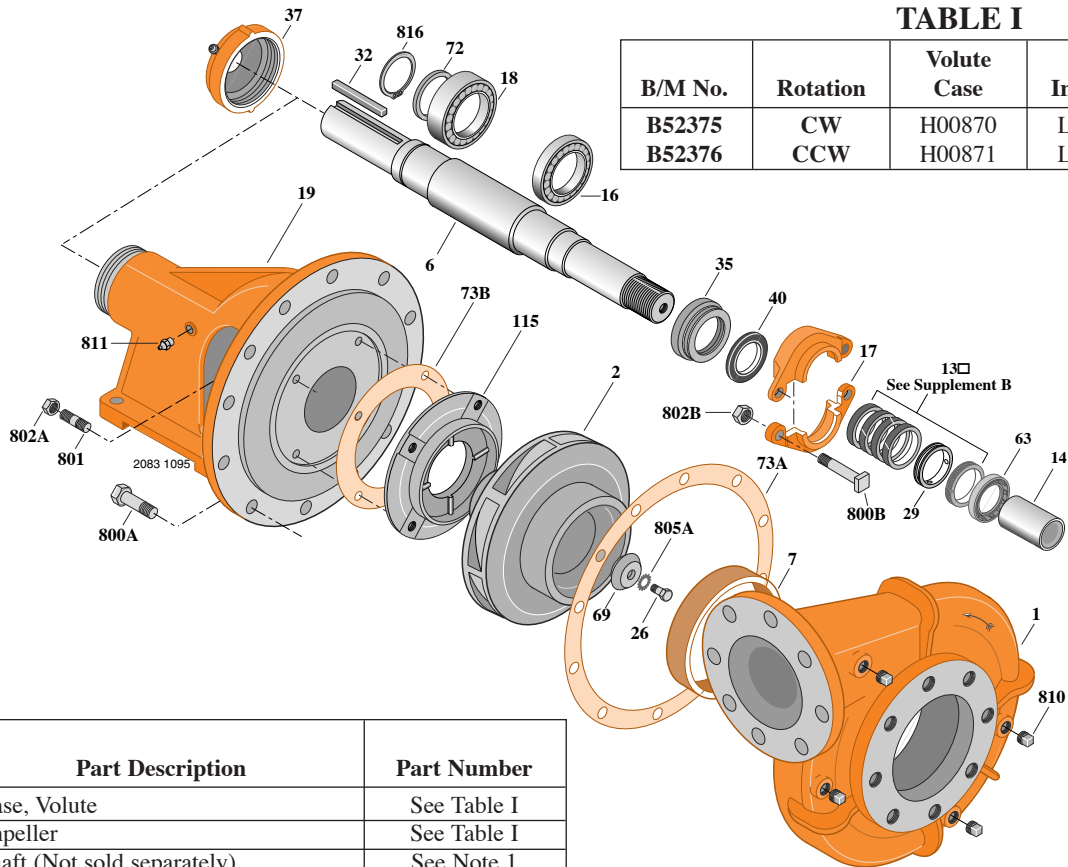


TABLE I

B/M No.	Rotation	Volute Case	Impeller	Impeller Diameter
B52375	CW	H00870	L02416	13.50"
B52376	CCW	H00871	L02417	13.50"

Item No.	Part Description	Part Number
1	Case, Volute	See Table I
2	Impeller	See Table I
6	Shaft (Not sold separately)	See Note 1
7	Ring, Wearing	S01234
13	Ring, Packing (Set of 4)	S13436
14	Sleeve, Shaft	S05974
16	Bearing, Ball	S15604
17	Gland, Packing	B82472
18	Bearing, Ball	S13396
19	Frame	H01599
26	Screw, Impeller 1/2-13x1-1/2"	S23623
29	Ring, Lantern	S18993
32	Key, 1/2x4"	S24214
35	Inner Bearing Cap	S05928
37	Outer Bearing Cap Assembly*	S35277
40	Slinger, Water	S10964
63	Bushing, Throat	S18992
69	Washer, Impeller	S06319
72	Ring, Thrust	S06519
73A	Gasket, Volute	S06271
73B	Gasket, Balance Ring	S09943
115	Ring, Balance	S12315

Item No.	Part Description	Part Number
800A	Capscrew, Hex 5/8-11x1-1/2"(12 Req.)	S26999
800B	Bolt, Sq. Head 1/2-31x2-3/4" (2 Req.)	S23794
801	Stud, 3/8-16x1-3/8" (4 Req.)	S09942
802A	Nut, Hex 3/8-16 (4 Req.)	S23103
802B	Nut, Hex 1/2-13x7/16" (2 Req.)	S23347
805A	Washer, Lock	S23038
810	Plug, Pipe 1/2 NPT (4 Req.)	S23717
811	Fitting, Grease	S23670
816	Ring, Retaining	S23016

2. **Shaft Replacement Kit** available for this model. Berkeley part number **B07596** for CW, **B07597** for CCW. Pump Shaft sold in shaft replacement kit only.

* Includes grease fitting.



TYPE "B" SINGLE STAGE CENTRIFUGAL PUMP Bearing Frame Mount

Section	FM
Page	270.2
Date	January 1, 2004
Supersedes 12/1/95	

CAST IRON IMPELLER

B6JRMBS

Flanged Case

Mechanical Seal Construction

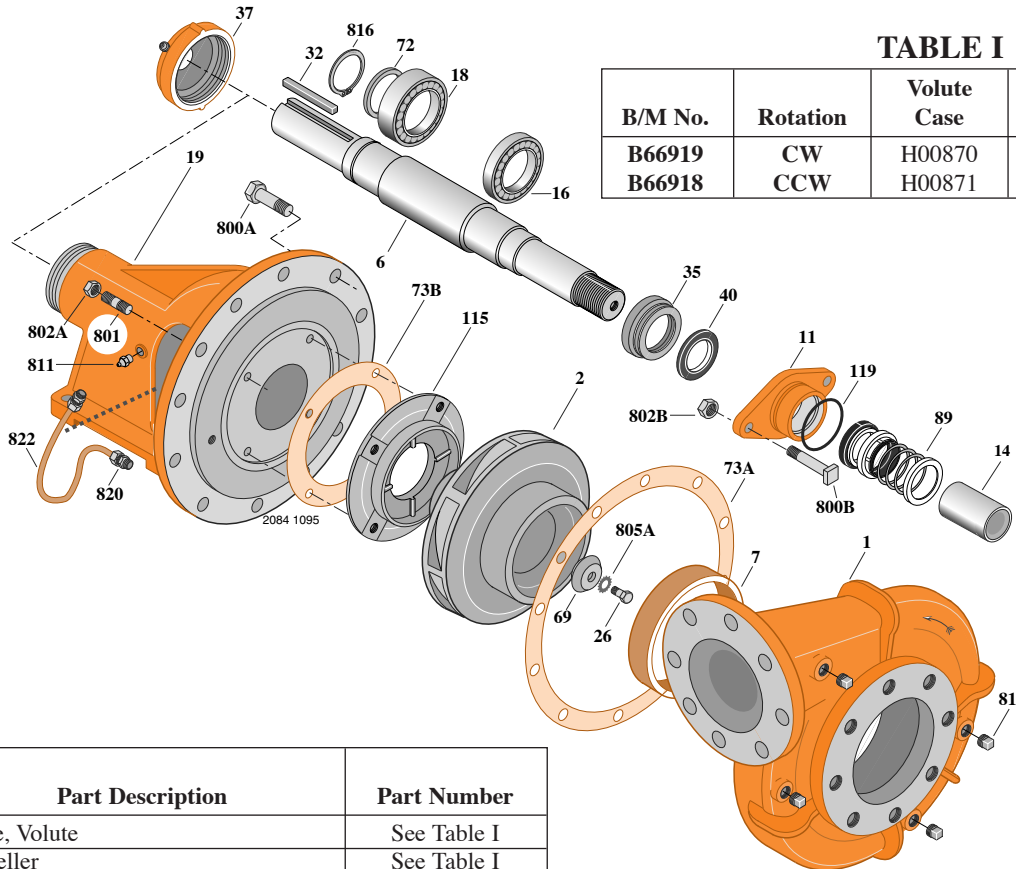


TABLE I

B/M No.	Rotation	Volute Case	Impeller	Impeller Diameter
B66919	CW	H00870	L02416	13.50"
B66918	CCW	H00871	L02417	13.50"

Item No.	Part Description	Part Number
1	Case, Volute	See Table I
2	Impeller	See Table I
6	Shaft (Not sold separately)	See Note 1
7	Ring, Wearing	S01234
11	Retainer, Mechanical Shaft Seal	S11452
14	Sleeve, Shaft	S05974
16	Bearing, Ball	S15604
18	Bearing, Ball	S13396
19	Frame	H01838
26	Screw, Impeller 1/2-13x2"	S23627
32	Key, 1/2x4"	S24214
35	Inner Bearing Cap	S05928
37	Outer Bearing Cap Assembly*	S35277
40	Slinger, Water	S10964
69	Washer, Impeller	S19275
72	Ring, Thrust	S06519
73A	Gasket, Volute	S06271
73B	Gasket, Balance Ring	S09943
89	Seal, Mechanical Shaft	S32693
115	Ring, Balance	S13591
119	O-Ring	S26471
800A	Capscrew, Hex 5/8-11x1-1/2"(12 Req.)	S26999

Item No.	Part Description	Part Number
800B	Bolt, Sq. Head 1/2-13x2-1/4" (2 Req.)	S23792
801	Stud, 3/8-16x1-3/8" (4 Req.)	S09942
802A	Nut, Hex 3/8-16 (4 Req.)	S23103
802B	Nut, Hex 1/2-13x7/16" (2 Req.)	S23347
805A	Washer, Lock	S23038
810	Plug, Pipe 1/2 NPT (4 Req.)	S23717
811	Fitting, Grease	S23670
816	Ring, Retaining	S23016
820	Elbow, Comp. Fitting (2 Req.)	S24128
822	Tubing, Copper	S20677

2. **Shaft Replacement Kit** available for this model. Berkeley part number **B07596** for CW, **B07597** for CCW. Pump Shaft sold in shaft replacement kit only.

* Includes grease fitting.



TYPE "B" SINGLE STAGE CENTRIFUGAL PUMP Bearing Frame Mount

Section	FM
Page	280.1
Date	January 1, 2004
Supersedes 12/1/95	

CAST IRON IMPELLER

B6JRMBM

Flanged Case

Packing Construction

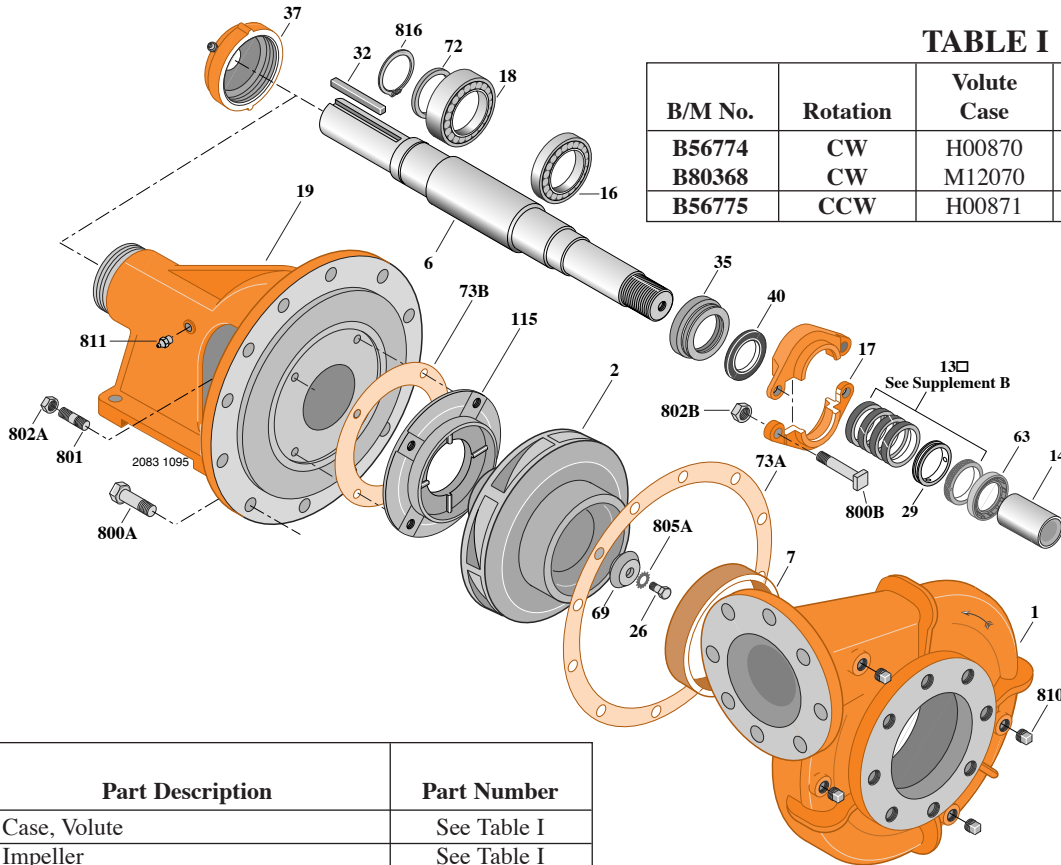


TABLE I

B/M No.	Rotation	Volute Case	Impeller	Impeller Diameter
B56774	CW	H00870	L05818	13.50"
B80368	CW	M12070	L05818	13.50"
B56775	CCW	H00871	L05819	13.50"

Item No.	Part Description	Part Number
1	Case, Volute	See Table I
2	Impeller	See Table I
6	Shaft (Not sold separately)	See Note 1
7	Ring, Wearing	S01234
13	Ring, Packing (Set of 4)	S13436
14	Sleeve, Shaft	S05974
16	Bearing, Ball	S15604
17	Gland, Packing	B82472
18	Bearing, Ball	S13396
19	Frame	H01599
26	Screw, Impeller 1/2-13x2"	S23627
29	Ring, Lantern	S18993
32	Key, 1/2x4"	S24214
35	Inner Bearing Cap	S05928
37	Outer Bearing Cap Assembly*	S35277
40	Slinger, Water	S10964
63	Bushing, Throat	S18992
69	Washer, Impeller	S19275
72	Ring, Thrust	S06519
73A	Gasket, Volute	S06271
73B	Gasket, Balance Ring	S09943
115	Ring, Balance	S12315

Item No.	Part Description	Part Number
800A	Capscrew, Hex 5/8-11x1-1/2"(12 Req.)	S26999
800B	Bolt, Sq. Head 1/2-13x2-3/4" (2 Req.)	S23794
801	Stud, 3/8-16x1-1/4" - CW (4 Req.)	S23994
801	Stud, 3/8-16x1-3/8" - CCW (4 Req.)	S09942
802A	Nut, Hex 3/8-16 (4 Req.)	S23103
802B	Nut, Hex 1/2-13x7/16" (2 Req.)	S23347
805A	Washer, Lock	S23038
810	Plug, Pipe 1/2 NPT (4 Req.)	S23717
811	Fitting, Grease	S23670
816	Ring, Retaining	S23016

- Shaft Replacement Kit** available for this model. Berkeley part number **B07596** for CW, **B07597** for CCW. Pump Shaft sold in shaft replacement kit only.

* Includes grease fitting.



TYPE "B" SINGLE STAGE CENTRIFUGAL PUMP Bearing Frame Mount

Section	FM
Page	280.2
Date	January 1, 2004
Supersedes 12/1/95	

CAST IRON IMPELLER

B6JRMBMS

Flanged Case

Mechanical Seal Construction

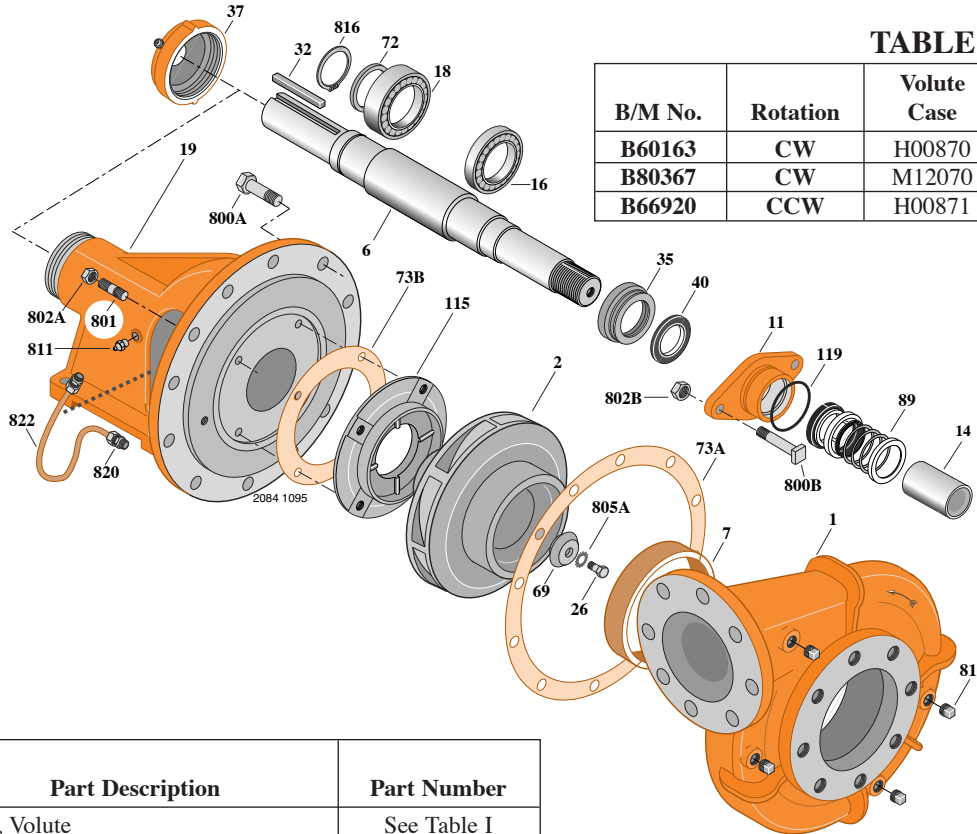


TABLE I

B/M No.	Rotation	Volute Case	Impeller	Impeller Diameter
B60163	CW	H00870	L05818	13.50"
B80367	CW	M12070	L05818	13.50"
B66920	CCW	H00871	L05819	13.50"

Item No.	Part Description	Part Number
1	Case, Volute	See Table I
2	Impeller	See Table I
6	Shaft (Not sold separately)	See Note 1
7	Ring, Wearing	S01234
11	Retainer, Mechanical Shaft Seal	S11452
14	Sleeve, Shaft	S05974
16	Bearing, Ball	S15604
18	Bearing, Ball	S13396
19	Frame	H01838
26	Screw, Impeller 1/2-13x2"	S23627
32	Key, 1/2x4"	S24214
35	Inner Bearing Cap	S05928
37	Outer Bearing Cap Assembly*	S35277
40	Slinger, Water	S10964
69	Washer, Impeller	S19275
72	Ring, Thrust	S06519
73A	Gasket, Volute	S06271
73B	Gasket, Balance Ring	S09943
89	Seal, Mechanical Shaft	S32693
115	Ring, Balance	S13591
119	O-Ring	S26471
800A	Capscrew, Hex 5/8-11x1-1/2"(12 Req.)	S26999

Item No.	Part Description	Part Number
800B	Bolt, Sq. Head 1/2-13x2-1/4" (2 Req.)	S23792
801	Stud, 3/8-16x1-3/8" (4 Req.)	S09942
802A	Nut, Hex 3/8-16 (4 Req.)	S23103
802B	Nut, Hex 1/2-13x7/16" (2 Req.)	S23347
805A	Washer, Lock	S23038
810	Plug, Pipe 1/2 NPT (4 Req.)	S23717
811	Fitting, Grease	S23670
816	Ring, Retaining	S23016
820	Elbow, Comp. Fitting (2 Req.)	S24128
822	Tubing, Copper	S20677

- Shaft Replacement Kit** available for this model. Berkeley part number **B07596** for CW, **B07597** for CCW. Pump Shaft sold in shaft replacement kit only.

* Includes grease fitting.



TYPE "B" SINGLE STAGE CENTRIFUGAL PUMP Bearing Frame Mount

Section	FM
Page	290.1
Date	January 1, 2004
Supersedes 12/1/95	

CAST IRON IMPELLER

B6JRMBH

Flanged Case

Packing Construction

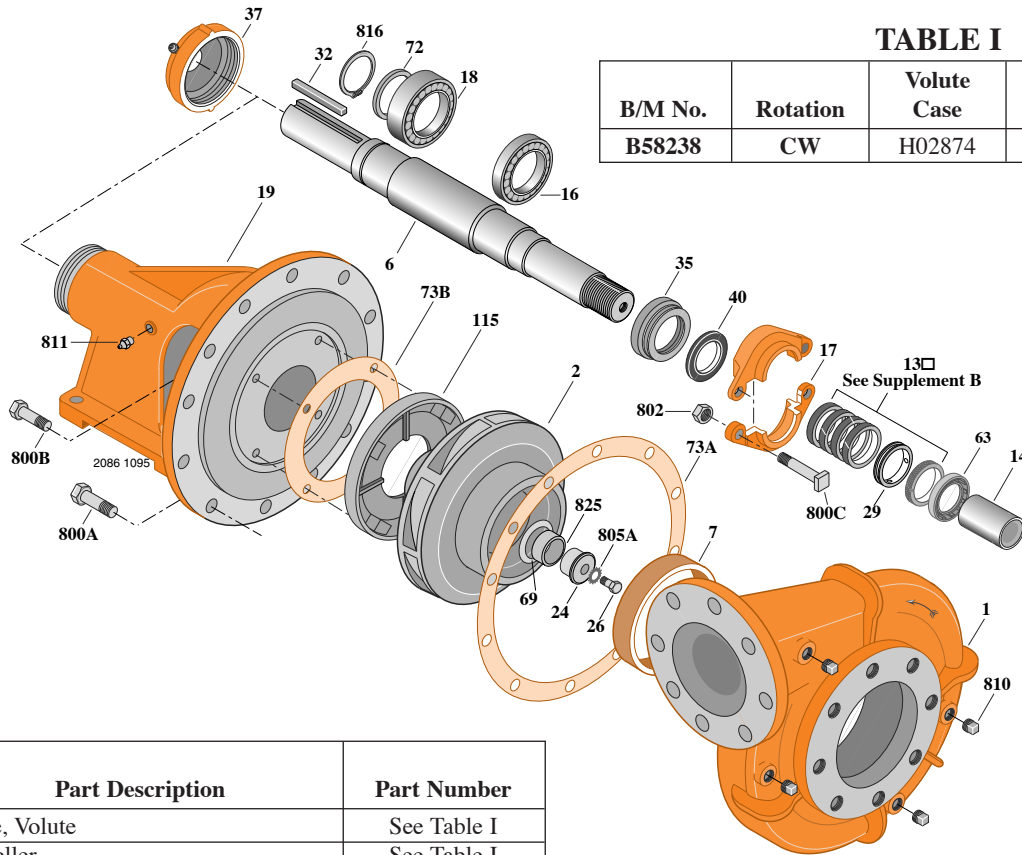


TABLE I

B/M No.	Rotation	Volute Case	Impeller	Impeller Diameter
B58238	CW	H02874	L05913	13.50"

Item No.	Part Description	Part Number
1	Case, Volute	See Table I
2	Impeller	See Table I
6	Shaft (Not sold separately)	See Note 1
7	Ring, Wearing	S04879
13	Ring, Packing	S13436
14	Sleeve, Shaft	S05974
16	Bearing, Ball	S15604
17	Gland, Packing	B82472
18	Bearing, Ball	S13396
19	Frame	H01599
24	Locknut, Impeller	S30387
26	Screw, Impeller 1/2-13x2-1/2"	S23629
29	Ring, Lantern	S18993
32	Key, 1/2x4"	S24214
35	Inner Bearing Cap	S05928
37	Outer Bearing Cap Assembly*	S35277
40	Slinger, Water	S10964
63	Bushing, Throat	S18992
69	Washer, Impeller	S19864
72	Ring, Thrust	S06519
73A	Gasket, Volute	S06271
73B	Gasket, Balance Ring	S09943

Item No.	Part Description	Part Number
115	Ring, Balance	M06113
800A	Capscrew, Hex 5/8-11x1-1/2"(12 Req.)	S26999
800B	Capscrew, Hex 3/8-16x1" (4 Req.)	S26826
800C	Bolt, Sq. Head 1/2-13x2-3/4" (2 Req.)	S23794
802	Nut, Hex 1/2-13x7/16" (2 Req.)	S23347
805A	Washer, Lock	S23038
810	Plug, Pipe 1/2 NPT (4 Req.)	S23717
811	Fitting, Grease	S23670
816	Ring, Retaining	S23016
825	Sleeve, Impeller Nut	S30388

1. **Shaft Replacement Kit** available for this model. Berkeley part number **B07596**. Pump Shaft sold in shaft replacement kit only.

* Includes grease fitting.



TYPE "B" SINGLE STAGE CENTRIFUGAL PUMP Bearing Frame Mount

Section	FM
Page	290.2
Date	January 1, 2004
Supersedes/New	

CAST IRON IMPELLER

B6JRMBHS

Flanged Case

Mechanical Seal Construction

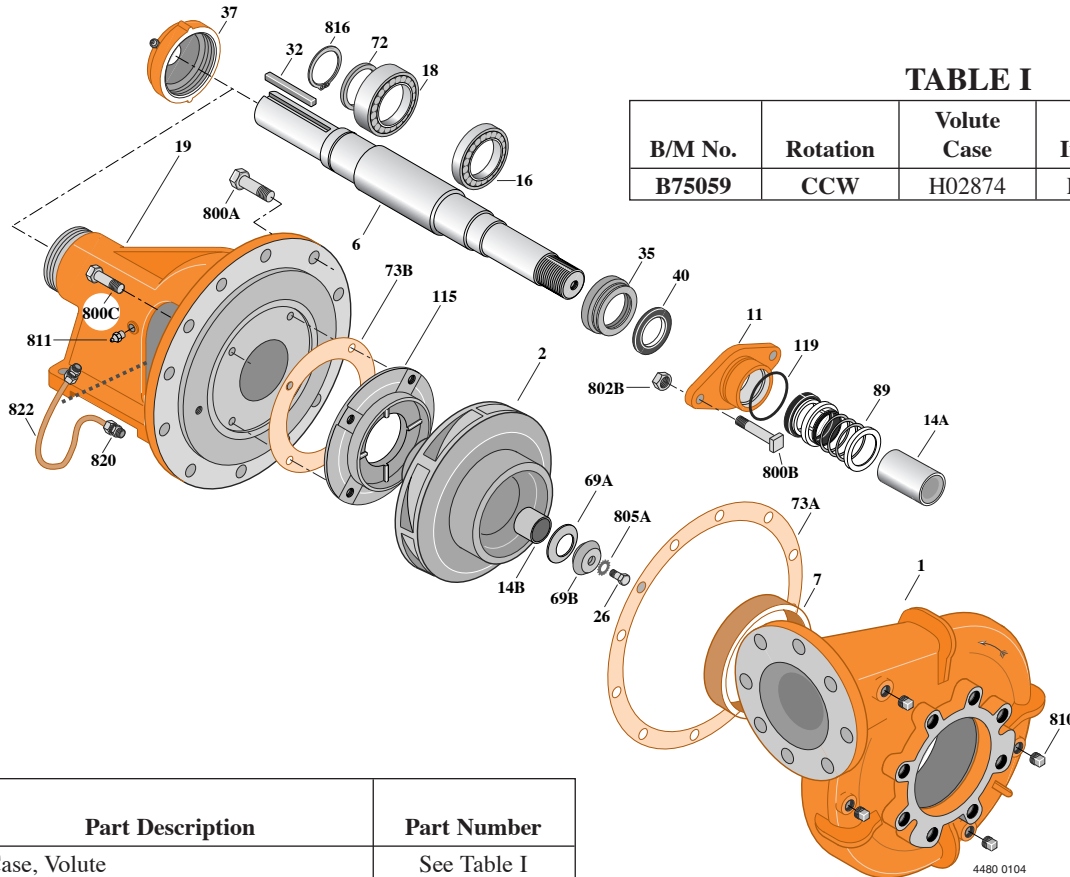


TABLE I

B/M No.	Rotation	Volute Case	Impeller	Impeller Diameter
B75059	CCW	H02874	L05913	13.50"

Item No.	Part Description	Part Number
1	Case, Volute	See Table I
2	Impeller	See Table I
6	Shaft (Not sold separately)	See Note 1
7	Ring, Wearing	S04879
11	Retainer, Mechanical Shaft Seal	S11452
14	Sleeve, Shaft	S05974
16	Bearing, Ball	S15604
18	Bearing, Ball	S13396
19	Frame	H01838
26	Screw, Impeller 1/2-13x2-1/2"	S23629
32	Key, 1/2x4"	S24214
35	Inner Bearing Cap	S05928
37	Outer Bearing Cap Assembly*	S35277
40	Slinger, Water	S10964
69	Washer, Impeller	S30387
72	Ring, Thrust	S06519
73A	Gasket, Volute	S06271
73B	Gasket, Balance Ring	S09943
89	Seal, Mechanical Shaft	S32693
115	Ring, Balance	M11150
119	O-Ring	S26471
800A	Capscrew, Hex 5/8-11x1-1/2"(12 Req.)	S26999
800B	Bolt, Sq. Head 1/2-13x2-1/4" (2 Req.)	S23792

Item No.	Part Description	Part Number
801	Capscrew, Hex 3/8-16x1" (4 Req.)	S26826
802A	Nut, Hex 3/8-16 (4 Req.)	S23103
802B	Nut, Hex 1/2-13x7/16" (2 Req.)	S23347
805A	Washer, Lock	S23038
810	Plug, Pipe 1/2 NPT (4 Req.)	S23717
811	Fitting, Grease	S23670
816	Ring, Retaining	S23016
820	Elbow, Comp. Fitting (2 Req.)	S24128
822	Tubing, Copper	S20677
??	Washer, Deflector	S19864
825	Sleeve, Impeller Nut	S30388

1. **Shaft Replacement Kit** available for this model. Berkeley part number **B07596**. Pump Shaft sold in shaft replacement kit only.

* Includes grease fitting.



TYPE "B" SINGLE STAGE CENTRIFUGAL PUMP Bearing Frame Mount

Section	FM
Page	300.1
Date	January 1, 2004
Supersedes 12/1/95	

CAST IRON IMPELLER

B6EXRBL

Flanged Case

Packing Construction

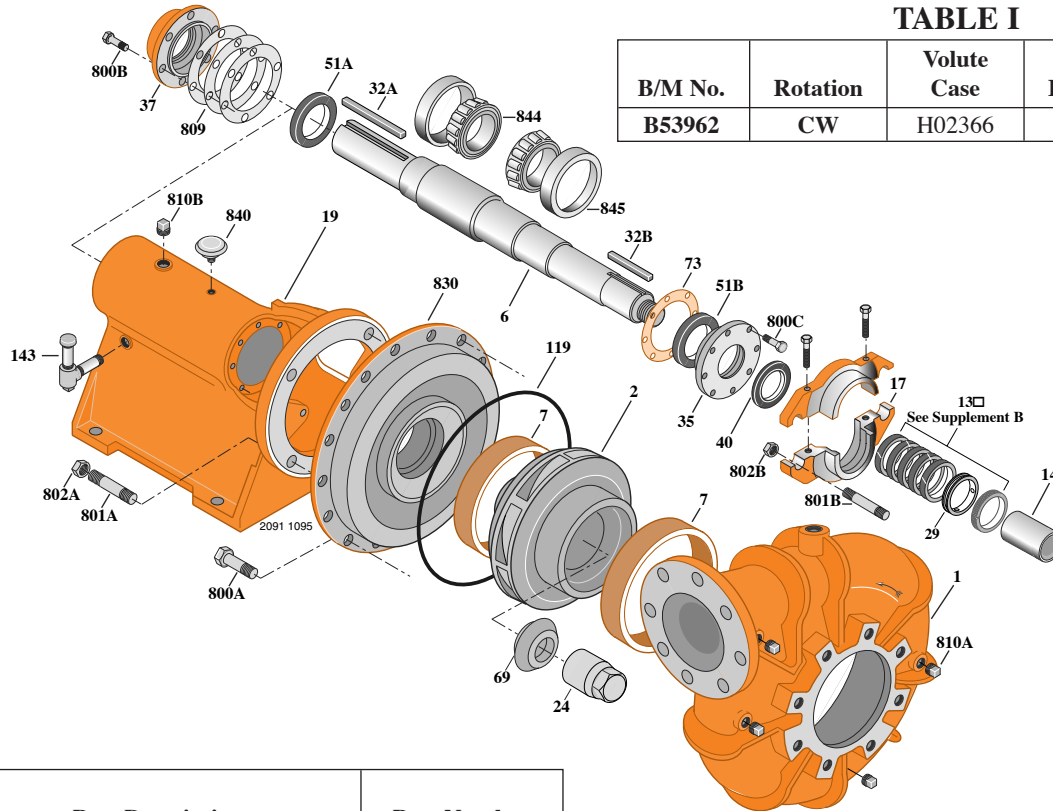


TABLE I

B/M No.	Rotation	Volute Case	Impeller	Impeller Diameter
B53962	CW	H02366	L05217	15.50"

Item No.	Part Description	Part Number
1	Case, Volute	See Table I
2	Impeller	See Table I
6	Shaft (Not sold separately)	See Note 1
7	Ring, Wearing	S04879
13	Ring, Packing (Set of 5)	S16448
14	Sleeve, Shaft	S14329
17	Gland, Packing	M05311
19	Frame	H00171
24	Locknut, Impeller	S07829
29	Ring, Lantern	S14330
32A	Key, 5/8x5"	S24235
32B	Key, 1/2x2"	S26545
35	Inner Bearing Cap	S14331
37	Outer Bearing Cap	S02617
40	Slinger, Water	M09684
51A	Seal, Oil	S14705
51B	Seal, Oil	S14704
69	Washer, Impeller	S18720
73	Gasket, Bearing Cap	S01911
119	O-Ring	S14444
143	Indicator, Oil Level	S12673
800A	Capscrew, Hex 5/8-11x1-1/2"(16 Req.)	S26999
800B	Capscrew, Hex 1/2-13x1-1/4" (6 Req.)	S26914
800C	Capscrew, Hex 3/8-16x1" (8 Req.)	S26826

Item No.	Part Description	Part Number
801A	Stud, 3/4-10x2-3/4" (4 Req.)	S24080
801B	Stud, 1/2-13x3-3/4" (2 Req.)	S08305
802A	Nut, Hex 3/4x10 (4 Req.)	S23111
802B	Nut, Hex 1/2-13x7/16" (2 Req.)	S23347
809	Shim, Bearing (Set of 3)	S14706
810A	Plug, Pipe 1/2 NPT (5 Req.)	S23717
810B	Plug, Pipe 3/4 NPT	S23719
830	Cover, Case	H02375
840	Filter, Air	S02671
844	Cone, Roller Bearing (2 Req.)	S36078
845	Cup, Roller Bearing (2 Req.)	S36077

1. **Shaft Replacement Kit** available for this model. Berkeley part number **B75202**. Pump Shaft sold in shaft replacement kit only.



TYPE "B" SINGLE STAGE CENTRIFUGAL PUMP Bearing Frame Mount

Section	FM
Page	310.1
Date	January 1, 2004
Supersedes 12/1/95	

CAST IRON IMPELLER

B6EXRBH

Flanged Case

Packing Construction

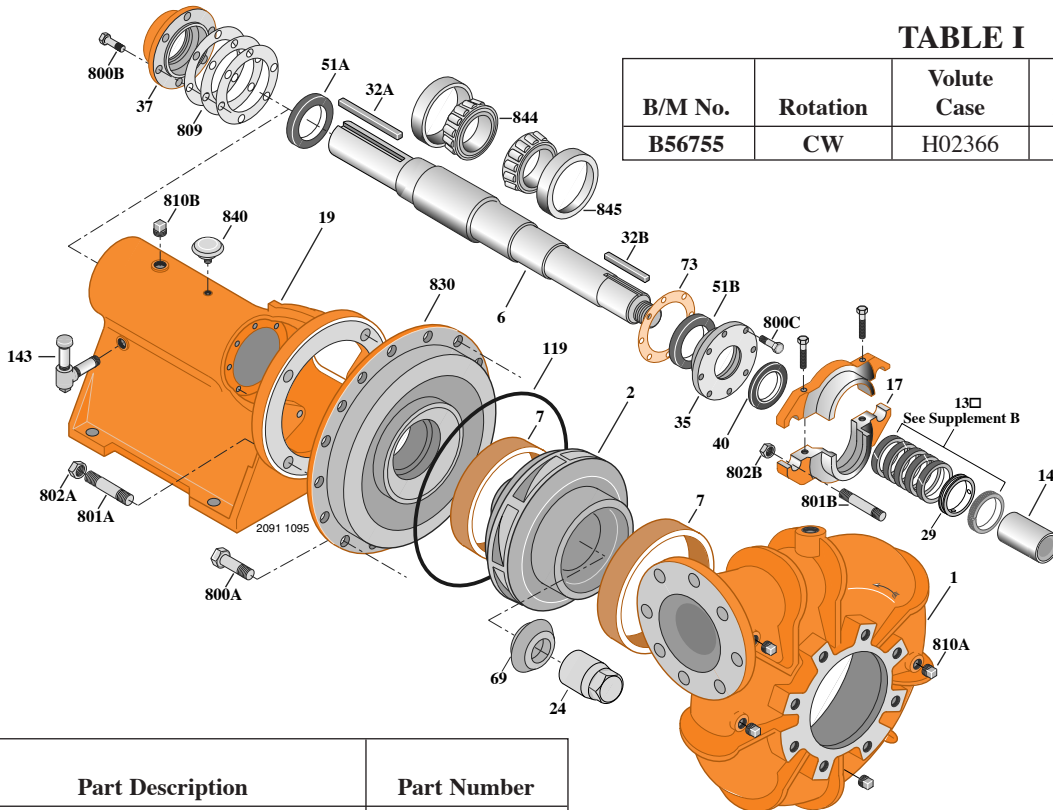


TABLE I

B/M No.	Rotation	Volute Case	Impeller	Impeller Diameter
B56755	CW	H02366	L05800	15.50"

Item No.	Part Description	Part Number
1	Case, Volute	See Table I
2	Impeller	See Table I
6	Shaft (Not sold separately)	See Note 1
7	Ring, Wearing (2 Req.)	S04879
13	Ring, Packing (Set of 5)	S16448
14	Sleeve, Shaft	S14329
17	Gland, Packing	M05311
19	Frame	H00171
24	Locknut, Impeller	S07829
29	Ring, Lantern	S14330
32A	Key, 5/8-5"	S24235
32B	Key, 1/2x2"	S26545
35	Inner Bearing Cap	S14331
37	Outer Bearing Cap	S02617
40	Slinger, Water	M09684
51A	Seal, Oil	S14705
51B	Seal, Oil	S14704
69	Washer, Impeller	S18720
73	Gasket, Bearing Cap	S01911
119	O-Ring	S14444
143	Indicator, Oil Level	S12673
800A	Capscrew, Hex 5/8-11x1-1/2" (16 Req.)	S26999
800B	Capscrew, Hex 1/2-13x1-1/4" (6 Req.)	S26914
800C	Capscrew, Hex 3/8-16x1" (8 Req.)	S26826

Item No.	Part Description	Part Number
801A	Stud, 3/4-10x2-3/4" (4 Req.)	S24080
801B	Stud, 1/2-13x3-3/4" (2 Req.)	S08305
802A	Nut, Hex 3/4-10 (4 Req.)	S23111
802B	Nut, Hex 1/2-13x7/16" (2 Req.)	S23347
809	Shim, Bearing (Set of 3)	S14706
810A	Plug, Pipe 1/2 NPT (5 Req.)	S23717
810B	Plug, Pipe 3/4 NPT	S23719
830	Cover, Case	H02375
840	Filter, Air	S02671
844	Cone, Roller Bearing (2 Req.)	S36078
845	Cup, Roller Bearing (2 Req.)	S36077

1. **Shaft Replacement Kit** available for this model.
Berkeley part number **B75202**.
Pump Shaft sold in shaft replacement kit only.



TYPE "B" SINGLE STAGE CENTRIFUGAL PUMP Bearing Frame Mount

Section	FM
Page	320.1
Date	January 1, 2004
Supersedes 12/1/95	

CAST IRON IMPELLER

B8GRMBM

Flanged Case

Packing Construction

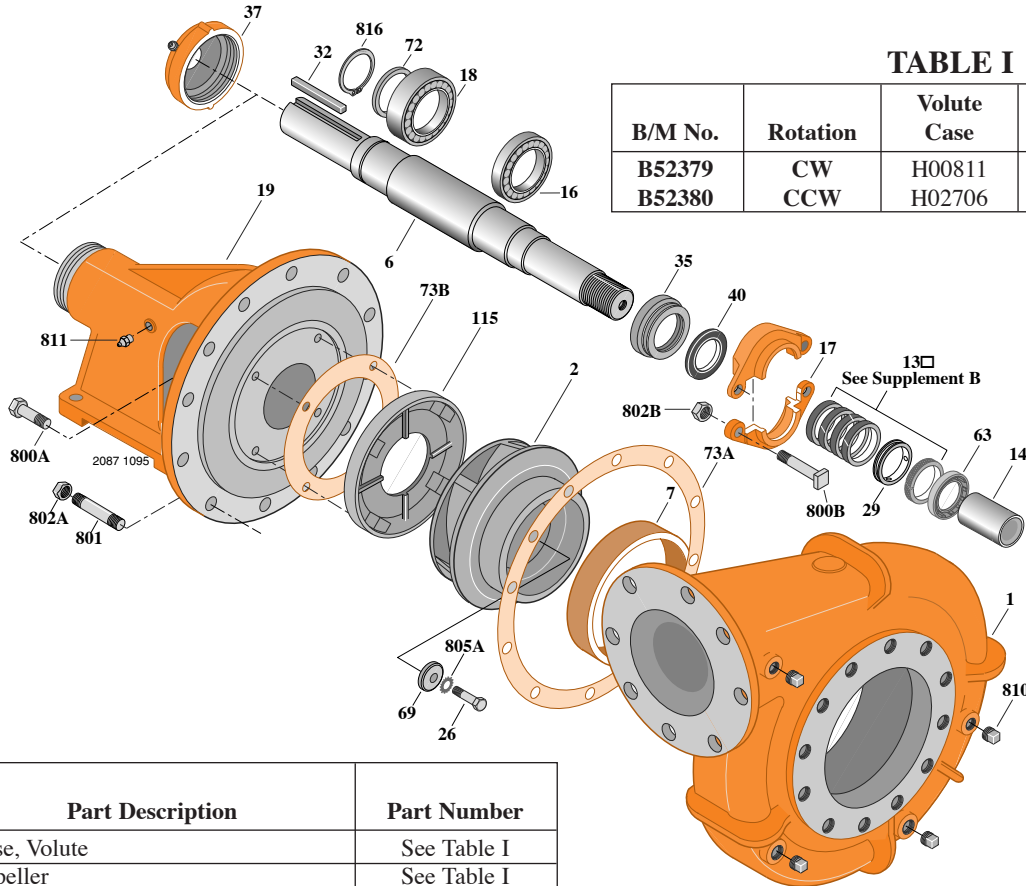


TABLE I

B/M No.	Rotation	Volute Case	Impeller	Impeller Diameter
B52379	CW	H00811	M03799	12.12"
B52380	CCW	H02706	L04519	12.12"

Item No.	Part Description	Part Number
1	Case, Volute	See Table I
2	Impeller	See Table I
6	Shaft (Not sold separately)	See Note 1
7	Ring, Wearing	S05973
13	Ring, Packing (Set of 4)	S13436
14	Sleeve, Shaft	S05974
16	Bearing, Ball	S15604
17	Gland, Packing	B82472
18	Bearing, Ball	S13396
19	Frame	H01599
26	Screw, Impeller 1/2-13x3"	S23631
29	Ring, Lantern	S18993
32	Key, 1/2x4"	S24214
35	Inner Bearing Cap	S05928
37	Outer Bearing Cap Assembly*	S35277
40	Slinger, Water	S10964
63	Bushing, Throat	S18992
69	Washer, Impeller	S06319
72	Ring, Thrust	S06519
73A	Gasket, Volute	S06271
73B	Gasket, Balance Ring	S09943
115	Ring, Balance	S12335

Item No.	Part Description	Part Number
800A	Capscrew, Hex 3/8-16x1" (4 Req.)	S26826
800B	Bolt, Sq. Head 1/2-13x2-3/4" (2 Req.)	S23794
801	Stud, 5/8-11x2-1/4" (12 Req.)	S24061
802A	Nut, Hex 5/8-11 (12 Req.)	S23109
802B	Nut, Hex 1/2-13x7/16" (2 Req.)	S23347
805A	Washer, Lock	S23038
810	Plug, Pipe 1/2 NPT (5 Req.)	S23717
811	Fitting, Grease	S23670
816	Ring, Retaining	S23016

- Shaft Replacement Kit** available for this model. Berkeley part number **B07596** for CW, **B07597** for CCW. Pump Shaft sold in shaft replacement kit only.

* Includes grease fitting.



TYPE "B" SINGLE STAGE CENTRIFUGAL PUMP Bearing Frame Mount

Section	FM
Page	320.2
Date	January 1, 2004
Supersedes 12/1/95	

CAST IRON IMPELLER

B8GRMBMS

Flanged Case

Mechanical Seal Construction

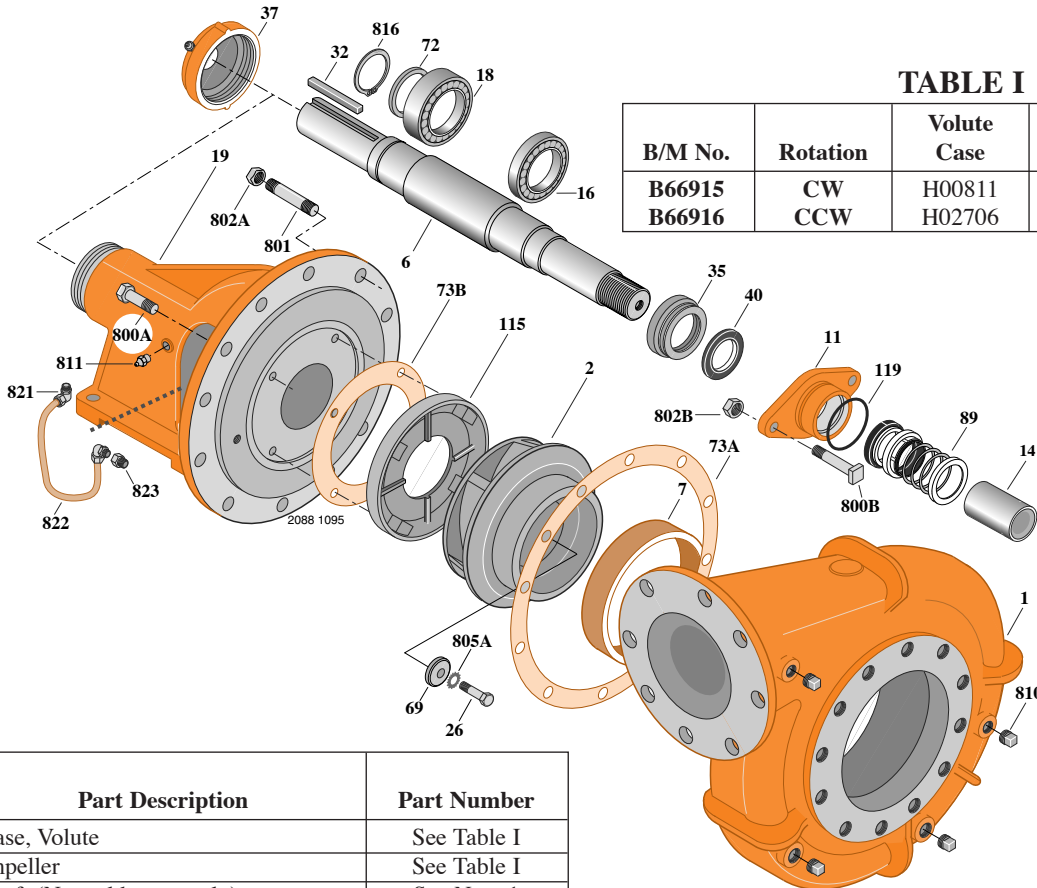


TABLE I

B/M No.	Rotation	Volute Case	Impeller	Impeller Diameter
B66915	CW	H00811	M03799	12.12"
B66916	CCW	H02706	L04519	12.12"

Item No.	Part Description	Part Number
1	Case, Volute	See Table I
2	Impeller	See Table I
6	Shaft (Not sold separately)	See Note 1
7	Ring, Wearing	S05973
11	Retainer, Mechanical Shaft Seal	S11452
14	Sleeve, Shaft	S05974
16	Bearing, Ball	S15604
18	Bearing, Ball	S13396
19	Frame	H01838
26	Screw, Impeller 1/2-13x3"	S23631
32	Key, 1/2x4"	S24214
35	Inner Bearing Cap	S05928
37	Outer Bearing Cap Assembly*	S35277
40	Slinger, Water	S10964
69	Washer, Impeller	S06319
72	Ring, Thrust	S06519
73A	Gasket, Volute	S06271
73B	Gasket, Balance Ring	S09943
89	Seal, Mechanical Shaft	S32693
115	Ring, Balance	S13592
119	O-Ring	S26471
800A	Capscrew, Hex 3/8-16x1" (4 Req.)	S26826
800B	Bolt, Sq. Head 1/2-13x2-1/4" (2 Req.)	S23792

Item No.	Part Description	Part Number
801	Stud, 5/8-11x2-1/4" (12 Req.)	S24061
802A	Nut, Hex 5/8-11 (12 Req.)	S23109
802B	Nut, Hex 1/2-13x7/16" (2 Req.)	S23347
805A	Washer, Lock	S23038
810	Plug, Pipe 1/2 NPT (5 Req.)	S23717
811	Fitting, Grease	S23670
816	Ring, Retaining	S23016
821	Elbow, Comp. Fitting (2 Req.)	S24128
822	Tubing, Copper	S20677
823	Bushing, Pipe	S24544

- Shaft Replacement Kit** available for this model. Berkeley part number **B07596** for CW, **B07597** for CCW. Pump Shaft sold in shaft replacement kit only.

* Includes grease fitting.



TYPE "B" SINGLE STAGE CENTRIFUGAL PUMP Bearing Frame Mount

Section	FM
Page	330.1
Date	January 1, 2004
Supersedes 12/1/95	

CAST IRON IMPELLER

B10GRMBM

Flanged Case

Packing Construction

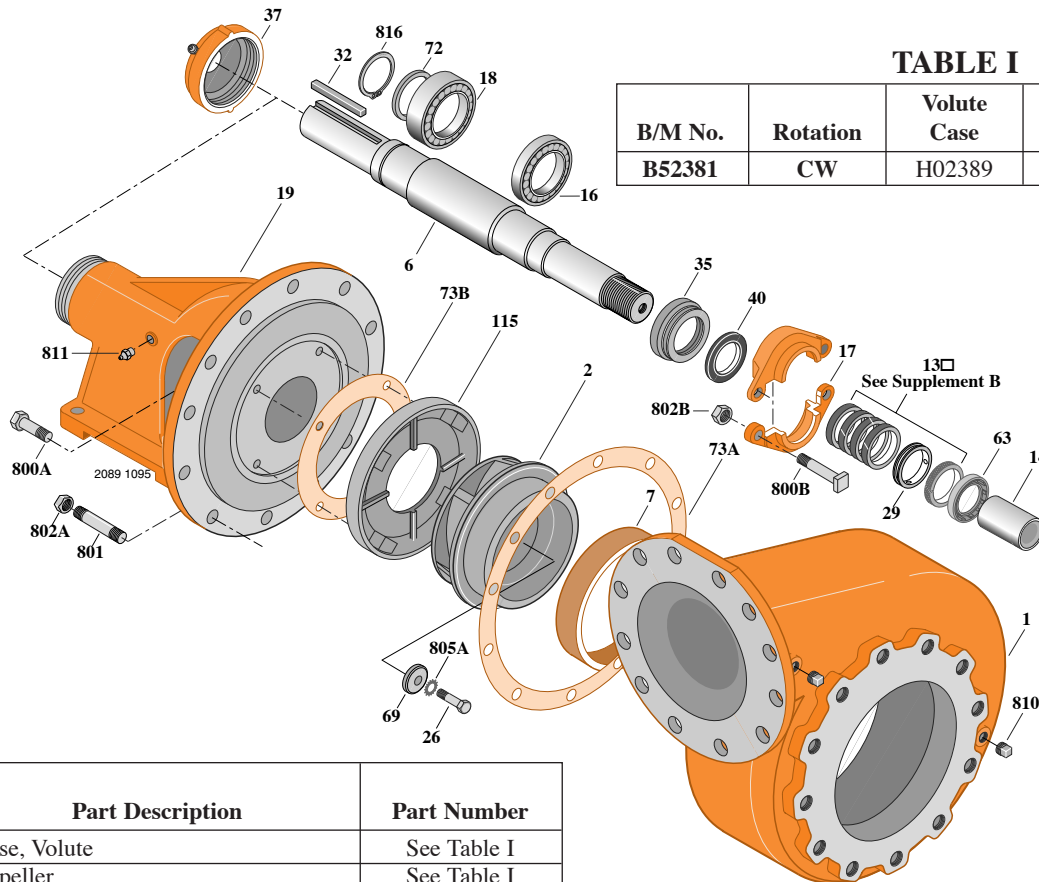


TABLE I

B/M No.	Rotation	Volute Case	Impeller	Impeller Diameter
B52381	CW	H02389	L04063	12.12"

Item No.	Part Description	Part Number
1	Case, Volute	See Table I
2	Impeller	See Table I
6	Shaft (Not sold separately)	See Note 1
7	Ring, Wearing	M00999
13	Ring, Packing (Set of 4)	S13436
14	Sleeve, Shaft	S05974
16	Bearing, Ball	S15604
17	Gland, Packing	B82472
18	Bearing, Ball	S13396
19	Frame	H01599
26	Screw, Impeller 1/2-13x2-1/2"	S23629
29	Ring, Lantern	S18993
32	Key, 1/2x4"	S24214
35	Inner Bearing Cap	S05928
37	Outer Bearing Cap Assembly*	S35277
40	Slinger, Water	S10964
63	Bushing, Throat	S18992
69	Washer, Impeller	S06319
72	Ring, Thrust	S06519
73A	Gasket, Volute	S06271
73B	Gasket, Balance Ring	S09943
115	Ring, Balance	S12335

Item No.	Part Description	Part Number
800A	Capscrew, Hex 3/8-16x1" (4 Req.)	S26826
800B	Bolt, Sq. Head 1/2-13x2-3/4" (2 Req.)	S23794
801	Stud, 5/8-11x2-1/4" (12 Req.)	S24061
802A	Nut, Hex 5/8-11 (12 Req.)	S23109
802B	Nut, Hex 1/2-13x7/16" (2 Req.)	S23347
805A	Washer, Lock	S23038
810	Plug, Pipe 1/2 NPT (4 Req.)	S23717
811	Fitting, Grease	S23670
816	Ring, Retaining	S23016

- Shaft Replacement Kit** available for this model. Berkeley part number **B07596**. Pump Shaft sold in shaft replacement kit only.

* Includes grease fitting.



TYPE "B" SINGLE STAGE CENTRIFUGAL PUMP Bearing Frame Mount

Section	FM
Page	330.2
Date	January 1, 2004
Supersedes 12/1/95	

CAST IRON IMPELLER

B10GRMBMS

Flanged Case

Mechanical Seal Construction

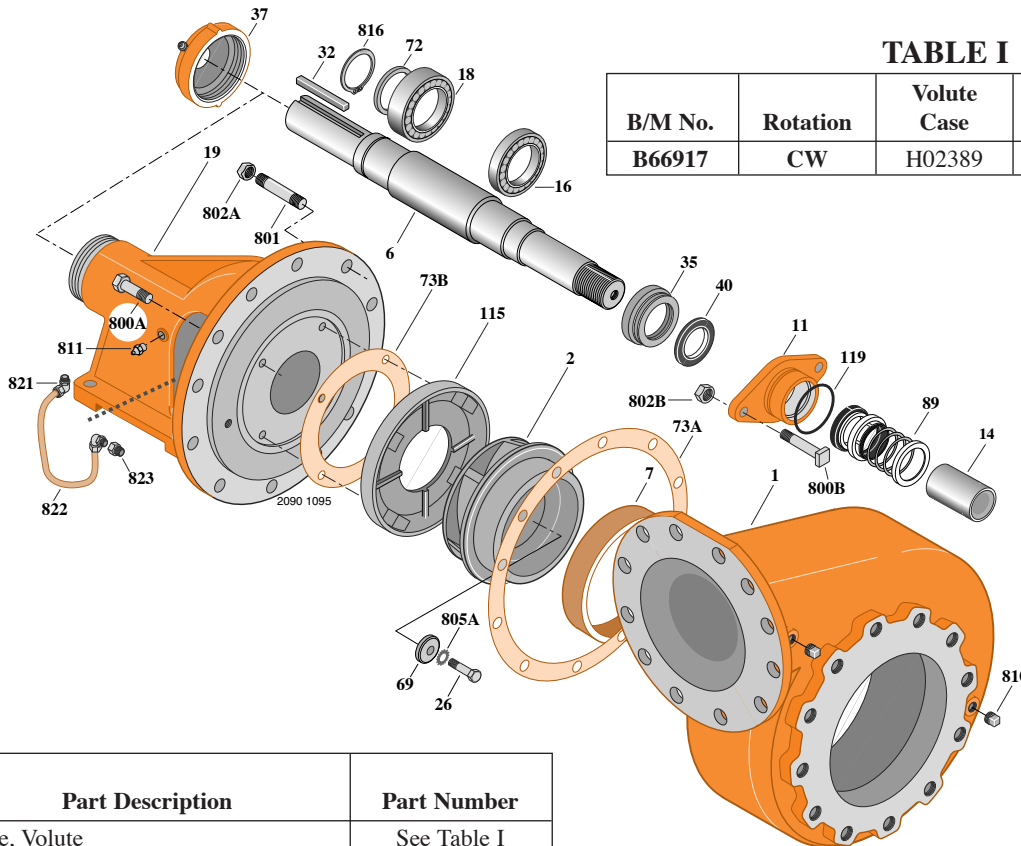


TABLE I

B/M No.	Rotation	Volute Case	Impeller	Impeller Diameter
B66917	CW	H02389	L04063	12.12"

Item No.	Part Description	Part Number
1	Case, Volute	See Table I
2	Impeller	See Table I
6	Shaft (Not sold separately)	See Note 1
7	Ring, Wearing	M00999
11	Retainer, Mechanical Shaft Seal	S11452
14	Sleeve, Shaft	S05974
16	Bearing, Ball	S15604
18	Bearing, Ball	S13396
19	Frame	H01838
26	Screw, Impeller 1/2-13x2-1/2"	S23629
32	Key, 1/2x4"	S24214
35	Inner Bearing Cap	S05928
37	Outer Bearing Cap Assembly*	S35277
40	Slinger, Water	S10964
69	Washer, Impeller	S06319
72	Ring, Thrust	S06519
73A	Gasket, Volute	S06271
73B	Gasket, Balance Ring	S09943
89	Seal, Mechanical Shaft	S32693
115	Ring, Balance	S13592
119	O-Ring	S26471
800A	Capscrew, Hex 3/8-16x1" (4 Req.)	S26826

Item No.	Part Description	Part Number
800B	Bolt, Sq. Head 1/2-13x2-1/4" (2 Req.)	S23792
801	Stud, 5/8-11x2-1/4" (12 Req.)	S24061
802A	Nut, Hex 5/8-11 (12 Req.)	S23109
802B	Nut, Hex 1/2-13x7/16" (2 Req.)	S23347
805A	Washer, Lock	S23038
810	Plug, Pipe 1/2 NPT (5 Req.)	S23717
811	Fitting, Grease	S23670
816	Ring, Retaining	S23016
821	Elbow, Comp. Fitting (2 Req.)	S24128
822	Tubing, Copper	S20677
823	Bushing, Pipe	S24544

- Shaft Replacement Kit** available for this model. Berkeley part number **B07596**. Pump Shaft sold in shaft replacement kit only.

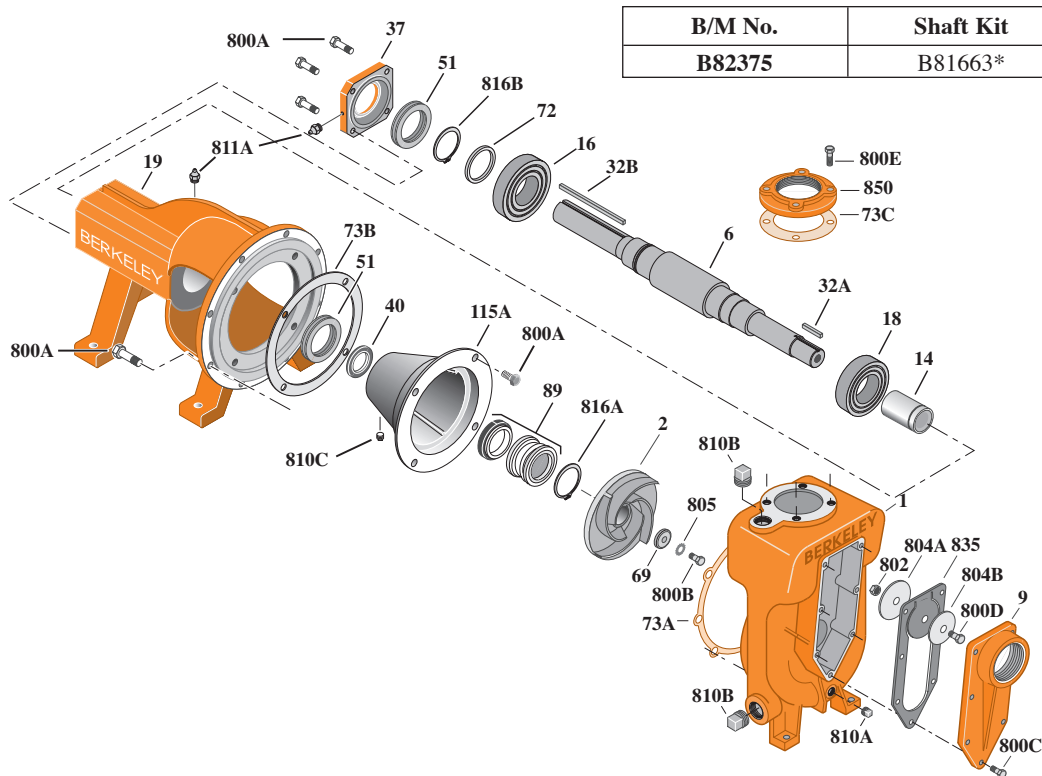
* Includes grease fitting.



TYPE "B" SINGLE STAGE CENTRIFUGAL PUMP Bearing Frame Mount

Section	FM
Page	340.1
Date	January 1, 2004
Supersedes 12/1/02	

B4ZRK(S)



B/M No.	Shaft Kit	Impeller Size
B82375	B81663*	9.12 x 1.00 BA

B4ZRK Common Parts Groups Repair Parts List

Item No.	Part Description	Part Number
1	Volute Case	H02505
2	Impeller	M13644
6	Shaft—Sold only in Shaft Kit*	M12338
9	Suction Cover	L04108
14	1-3/8 ID x 1-3/4 OD Shaft Sleeve*	M12422
16	Single Row Ball Bearing*	S13395
18	Ball Bearing*	S13397
19	Bracket	M12332
32A	Shaft Key, 1/4" Sq. x 2-1/4" Lg. - Impeller*	S23677
32B	Shaft Key, 3/8" Sq. x 2-1/4" Lg.*	S23941
37	Bearing Cap	M12335
40	Water Slinger*	S10964
51	Grease Seal (2 Req.)*	M12337
69	Lock Washer	S06319
72	Thrust Ring*	S06519
73A	Volute Gasket	S05126
73B	Balance Ring Gasket	S09943
73C	Flange Gasket	S10364
800A	3/8-16 x 1-1/8" Lg. Hex Hd Capscrew (16 Req.)	S26827
800B	1/2-13 x 1-1/4" Lg. Capscrew	S23621
800C	3/8-16 x 1-1/4" Capscrew (7 Req.)	S26828

Item No.	Part Description	Part Number
800D	3/8-16 x 3/4" Capscrew	S26824
800E	5/8-11 x 1-1/4" Capscrew (4 Req.)	S27001
802	Clack Nut, Hex 3/8x16	S23103
804A	Clack Weight	S14842
804B	Clack Weight	S15325
805	Lock Washer	S23038
810A	1/2" NPT Pipe Plug	S23717
810B	1-1/2" NPT Pipe Plug (2 Req.)	S23695
811A	Grease Fitting (2 Req.)	S23700
816B	External Retaining Ring*	S23016
835	Rubber Clack	L04119
850	Blind Flange	S15933

Seal Components

Item No.	Part Description	Part Number
89	1-3/4" Mechanical Shaft Seal	S32015
115A	Mechanical Seal Housing	M12333
810C	1/8" NPT Sq. Hd. Pipe Plug	S23714
816A	External Retaining Ring*	S16767

* Included in Shaft Kit.

Refer to following page for model specific repair parts listing.



TYPE "B" SINGLE STAGE CENTRIFUGAL PUMP Bearing Frame Mount Self Prime

Section	FM-SP
Page	10.1
Date	January 1, 2004
Supersedes 2/1/96	

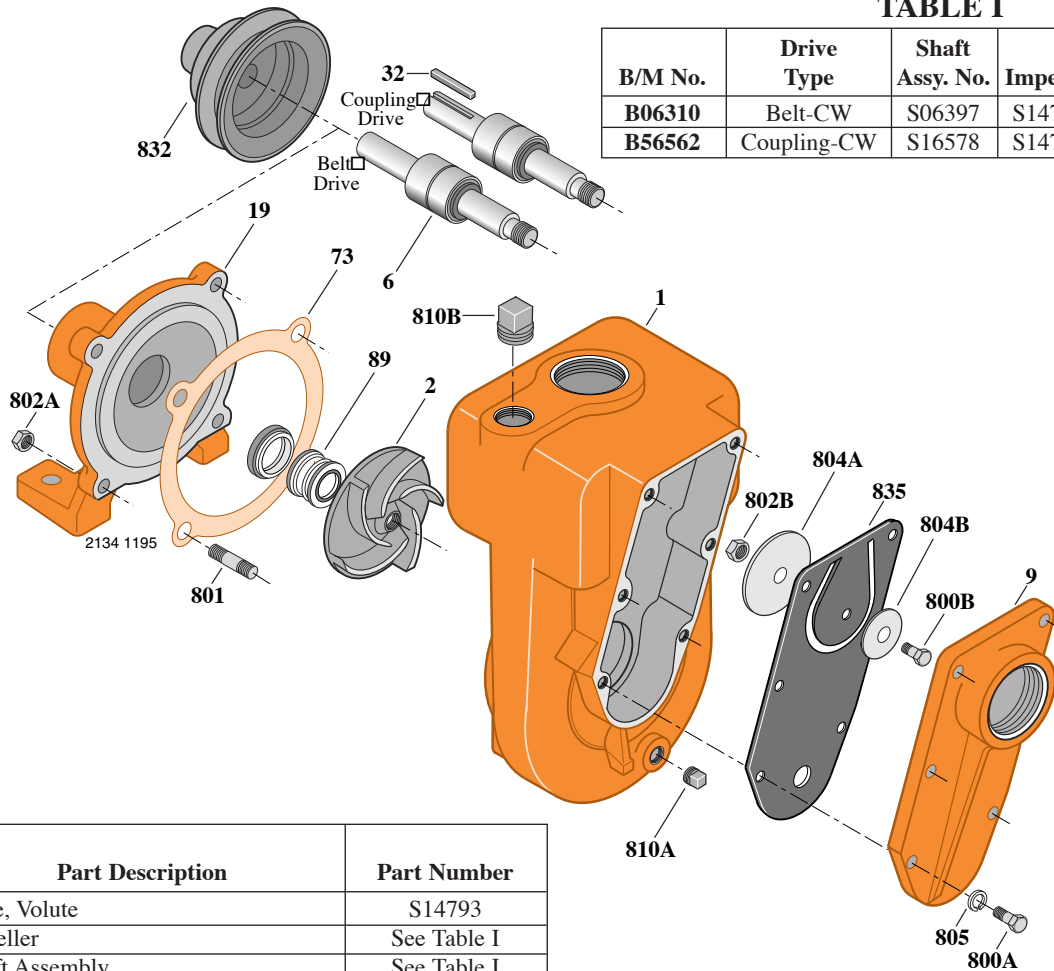
CAST IRON IMPELLER B2XRKS

Threaded Case (NPT)

Mechanical Seal Construction

TABLE I

B/M No.	Drive Type	Shaft Assy. No.	Impeller	Impeller Size
B06310	Belt-CW	S06397	S14794	4.59" x .63" BA
B56562	Coupling-CW	S16578	S14794	4.59" x .63" BA



Item No.	Part Description	Part Number
1	Case, Volute	S14793
2	Impeller	See Table I
6	Shaft Assembly	See Table I
9	Cover, Suction	M05420
19	Frame	M02638
32	Key, 3/16x1" (Coupling Drive)	S24151
73	Gasket, Volute	S04728
89	Seal, Mechanical Shaft	S20990
800A	Capscrew, Hex 5/6-18x1" (6 Req.)	S26783
800B	Capscrew, Hex 1/4-20x1/2"	S23117
801	Stud, 3/8-16x1-1/4" (4 Req.)	S23994
802A	Nut, Hex 3/8-16 (4 Req.)	S23103
802B	Nut, Hex 1/4-20	S23100
804A	Weight, Clack 3" O.D.	S14673
804B	Weight, Clack 1-1/2" O.D.	S14676
805	Washer, Lock 5/16 (6 Req.)	S23075
810A	Plug, Pipe 1/4" NPT	S14692
810B	Plug, Pipe 1" NPT	S14693
832	Sheave (Belt Drive)	S05375
835	Gasket, Clack	M05424



TYPE "B" SINGLE STAGE CENTRIFUGAL PUMP Bearing Frame Mount Self Prime

Section	FM-SP
Page	20.1
Date	January 1, 2004
Supersedes 2/1/96	

CAST IRON IMPELLER B2ZRKL

Threaded Case (NPT)

Packing Construction

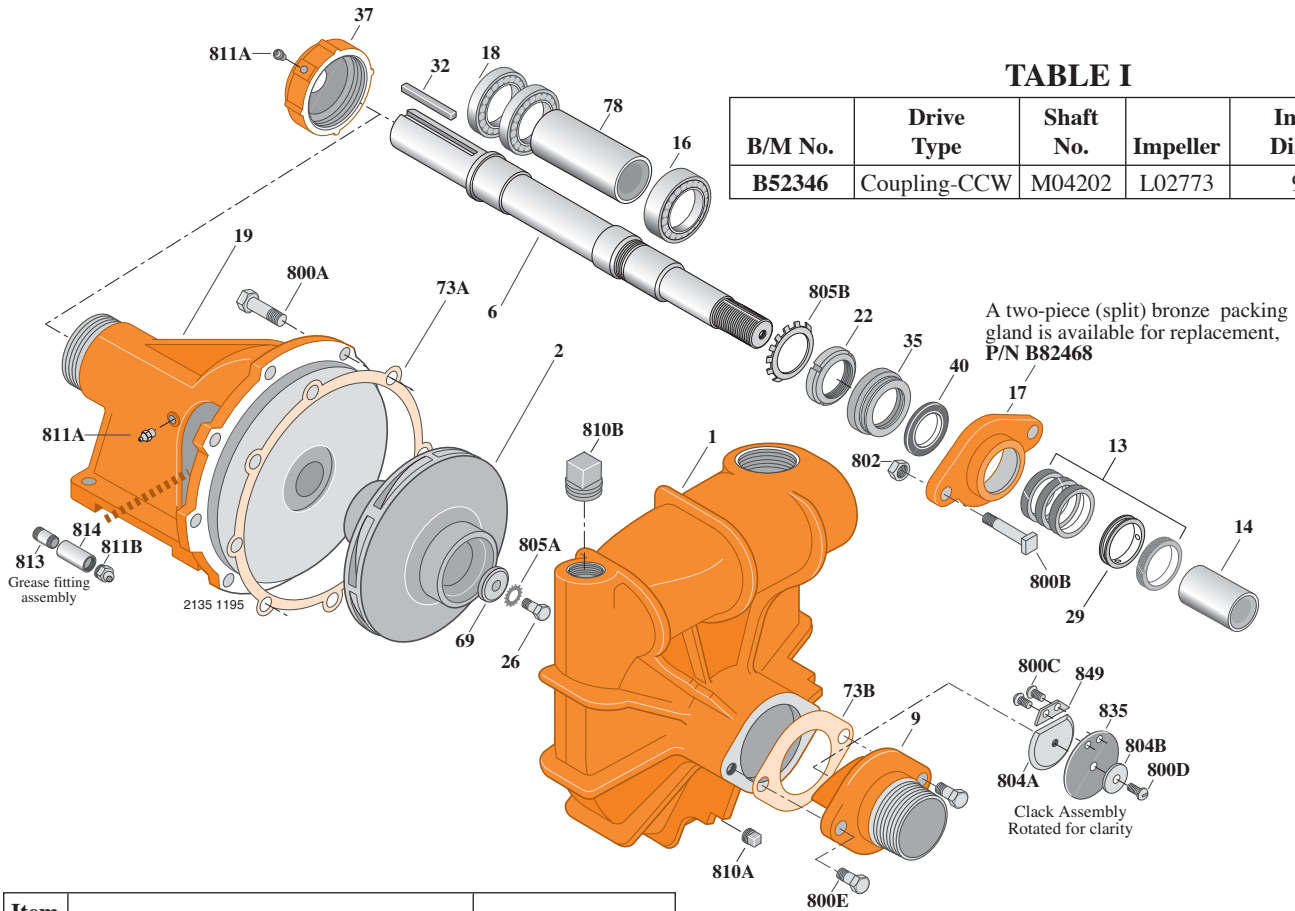


TABLE I

B/M No.	Drive Type	Shaft No.	Impeller	Impeller Diameter
B52346	Coupling-CCW	M04202	L02773	9.00"

Item No.	Part Description	Part Number
1	Case, Volute	H01757
2	Impeller	See Table I
6	Shaft	See Table I
9	Cover, Suction	M04194
13	Ring, Packing (Set of 3)	S16103
14	Sleeve, Shaft	S05127
16	Bearing, Ball	S13849
17	Gland, Packing (See Note)	S04948
18	Bearing, Ball (2 Req.)	S13817
19	Frame	H01679
22	Nut, Bearing Lock	M10221
26	Screw, Impeller 3/8-16x1"	S23566
29	Ring, Lantern	S06708
32	Key, 1/4x3"	S24176
35	Inner Bearing Cap	S19033
37	Outer Bearing Cap	M04203
40	Slinger, Water	S09694
69	Washer, Impeller	S06314
73A	Gasket, Case	S05126
73B	Gasket, Suction Cover	S10926

Item No.	Part Description	Part Number
78	Sleeve, Spacer	S10938
800A	Capscrew, Hex 3/8-16x7/8" (8 Req.)	S26825
800B	Bolt, Sq. Head 3/8-16x2" (2 Req.)	S23762
800C	Screw, Rd. Head #10-32 (2 Req.)	S24469
800D	Screw, Rd. Head 1/4-20	S24496
800E	Capscrew, Hex 3/8-16x1" (2 Req.)	S26826
802	Nut, Hex 3/8-16 (2 Req.)	S23343
804A	Weight, Clack	S10150
804B	Weight, Clack	S04939
805A	Washer, External Tooth	S23036
805B	Washer, Bearing Lock	S16181
810A	Plug, Pipe 1/4" NPT (3 Req.)	S23715
810B	Plug, Pipe 1" NPT	S23693
811A	Fitting, Grease Drive Type (3 Req.)	S23670
811B	Fitting, Grease	S23702
813	Nipple, Pipe 1/8 NPT	S24300
814	Coupling, Pipe 1/8 NPT	S24261
835	Clack, Rubber	S10146
849	Clamp, Clack	S10148



TYPE "B" SINGLE STAGE CENTRIFUGAL PUMP Bearing Frame Mount Self Prime

Section	FM-SP
Page	20.2
Date	January 1, 2004
Supersedes 2/1/96	

CAST IRON IMPELLER B2ZRKL

Threaded Case (NPT)

Packing Construction

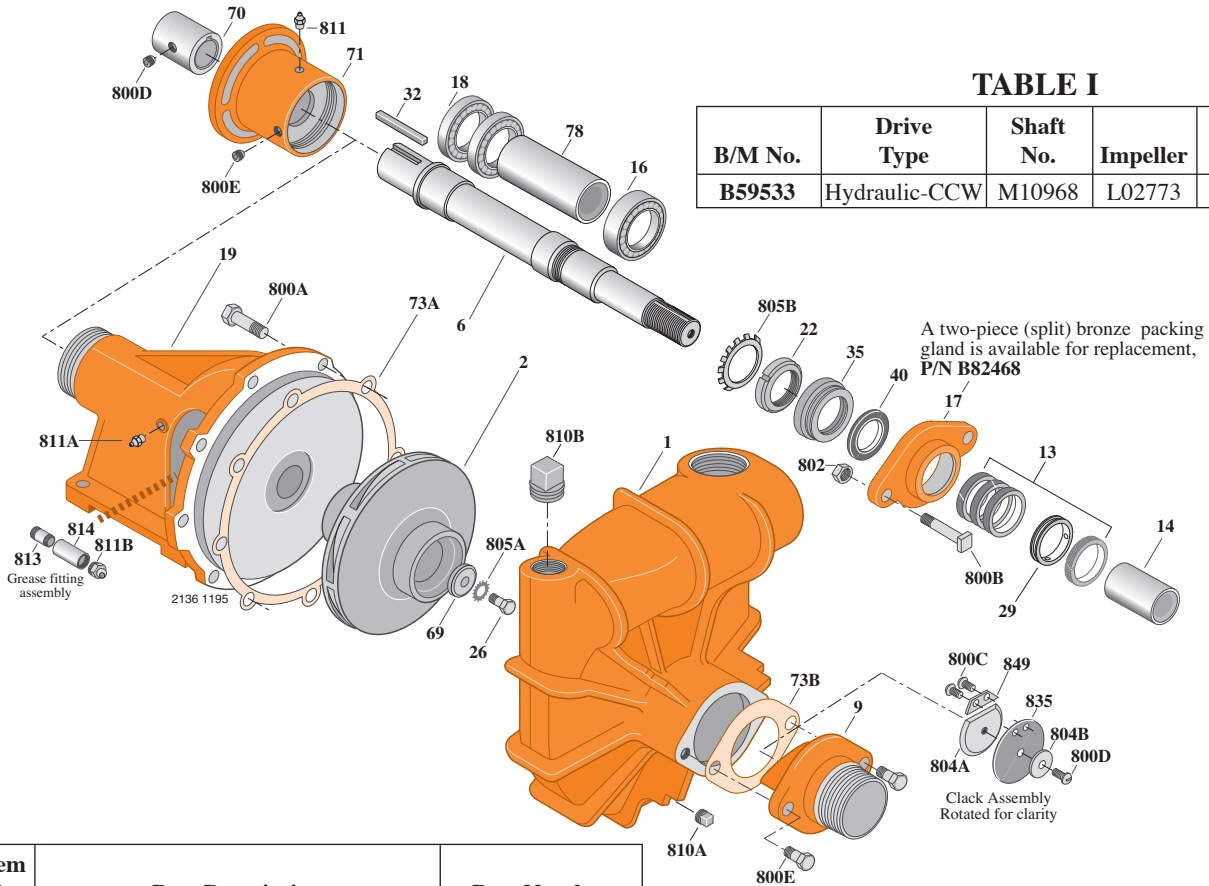


TABLE I

B/M No.	Drive Type	Shaft No.	Impeller	Impeller Diameter
B59533	Hydraulic-CCW	M10968	L02773	9.00"

Item No.	Part Description	Part Number
1	Case, Volute	H01757
2	Impeller	See Table I
6	Shaft	See Table I
9	Cover, Suction	M04194
13	Ring, Packing (Set of 3)	S16103
14	Sleeve, Shaft	S05127
16	Bearing, Ball	S13849
17	Gland, Packing (See Note)	S04948
18	Bearing, Ball (2 Req.)	S13817
19	Frame	H01679
22	Nut, Bearing Lock	M10221
26	Screw, Impeller 3/8-16x1"	S23566
29	Ring, Lantern	S06708
32	Key, 1/4x1"	S24168
35	Inner Bearing Cap	S19033
40	Slinger, Water	S09694
69	Washer, Impeller	S06314
70	Coupling, Shaft	S30636
71	Bracket, Hydraulic Motor	L05720
73A	Gasket, Case	S05126
73B	Gasket, Suction Cover	S10926
78	Sleeve, Spacer	S10938

Item No.	Part Description	Part Number
800A	Capscrew, Hex 3/8-16x7/8" (8 Req.)	S26825
800B	Bolt, Sq. Head 3/8-16x2" (2 Req.)	S23762
800C	Screw, Rd. Head #10-32 (2 Req.)	S24469
800D	Screw, Rd. Head 1/4-20	S24496
800E	Capscrew, Hex 3/8-16x1" (2 Req.)	S26826
800F	Screw, Set 3/8-16	S23964
800G	Screw, Set (2 Req.)	S23965
802	Nut, Hex 3/8-16 (2 Req.)	S23343
804A	Weight, Clack	S10150
804B	Weight, Clack	S04939
805A	Washer, External Tooth	S23036
805B	Washer, Bearing Lock	S16181
810A	Plug, Pipe 1/4" NPT (3 Req.)	S23715
810B	Plug, Pipe 1" NPT	S23693
811A	Fitting, Grease Drive Type (3 Req.)	S23670
811B	Fitting, Grease	S23702
813	Nipple, Pipe 1/8 NPT	S24300
814	Coupling, Pipe 1/8 NPT	S24261
835	Clack, Rubber	S10146
849	Clamp, Clack	S10148



TYPE "B" SINGLE STAGE CENTRIFUGAL PUMP Bearing Frame Mount Self Prime

Section	FM-SP
Page	20.3
Date	January 1, 2004
Supersedes 2/1/96	

CAST IRON IMPELLER

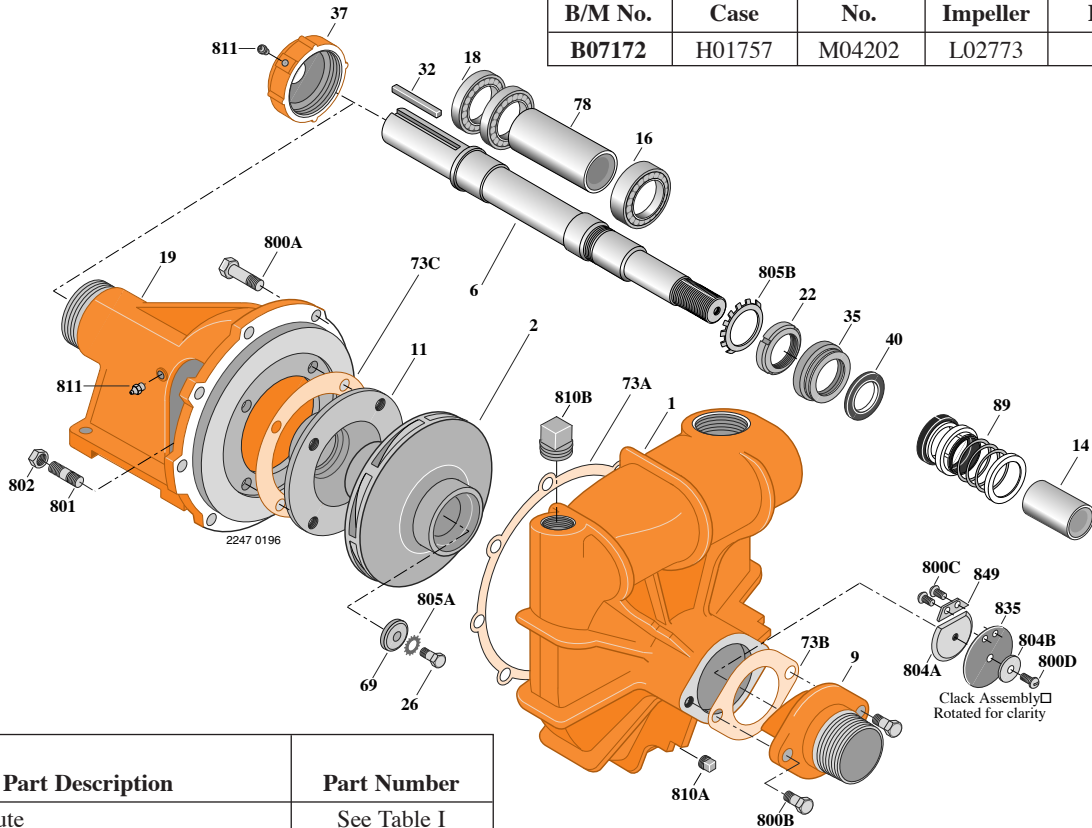
B2ZRKLS

Threaded Case (NPT)

Mechanical Seal Construction

TABLE I

B/M No.	Volute Case	Shaft No.	Impeller	Impeller Diameter
B07172	H01757	M04202	L02773	9.00"



Item No.	Part Description	Part Number
1	Case, Volute	See Table I
2	Impeller	See Table I
6	Shaft	See Table I
9	Cover, Suction	M04194
11	Retainer, Mechanical Shaft Seal	M06063
14	Sleeve, Shaft	S05127
16	Bearing, Ball	S13849
18	Bearing, Ball (2 Req.)	S13817
19	Frame	S16781
22	Nut, Bearing Lock	M10221
26	Screw, Impeller 3/8-16-1"	S23566
32	Key, 1/4x3"	S24176
35	Inner Bearing Cap	S19033
37	Outer Bearing Cap	M04203
40	Slinger, Water	S09694
69	Washer, Impeller	S06314
73A	Gasket, Case	S05126
73B	Gasket, Suction Cover	S10926
73C	Gasket, Seal Retainer	S16800
78	Sleeve, Spacer	S10938
89	Seal, Mechanical Shaft	S32690

Item No.	Part Description	Part Number
800A	Capscrew, Hex 3/8-16x7/8" (8 Req.)	S26825
800B	Capscrew, Hex 3/8-16x1" (2 Req.)	S26826
800C	Screw, Rd. Head #10-32 (2 Req.)	S24469
800D	Screw, Rd. Head 1/4-20 (2 Req.)	S24496
801	Stud, 3/8-16x1-1/4" (4 Req.)	S23994
802	Nut, Hex 3/8-16 (4 Req.)	S23103
804A	Weight, Clack	S10150
804B	Weight, Clack	S04939
805A	Washer, Lock	S23036
805B	Washer, Bearing Lock	S16181
810A	Plug, Pipe 1/4" NPT (3 Req.)	S23715
810B	Plug, Pipe 1" NPT	S23693
811	Fitting, Grease Drive Type (3 Req.)	S23670
835	Clack, Rubber	S10146
849	Clamp, Clack	S10148



TYPE "B" SINGLE STAGE CENTRIFUGAL PUMP Bearing Frame Mount Self Prime

Section	FM-SP
Page	30.1
Date	January 1, 2004
Supersedes 2/1/96	

CAST IRON IMPELLER B3TRKS

Threaded Case (NPT)

Mechanical Seal Construction

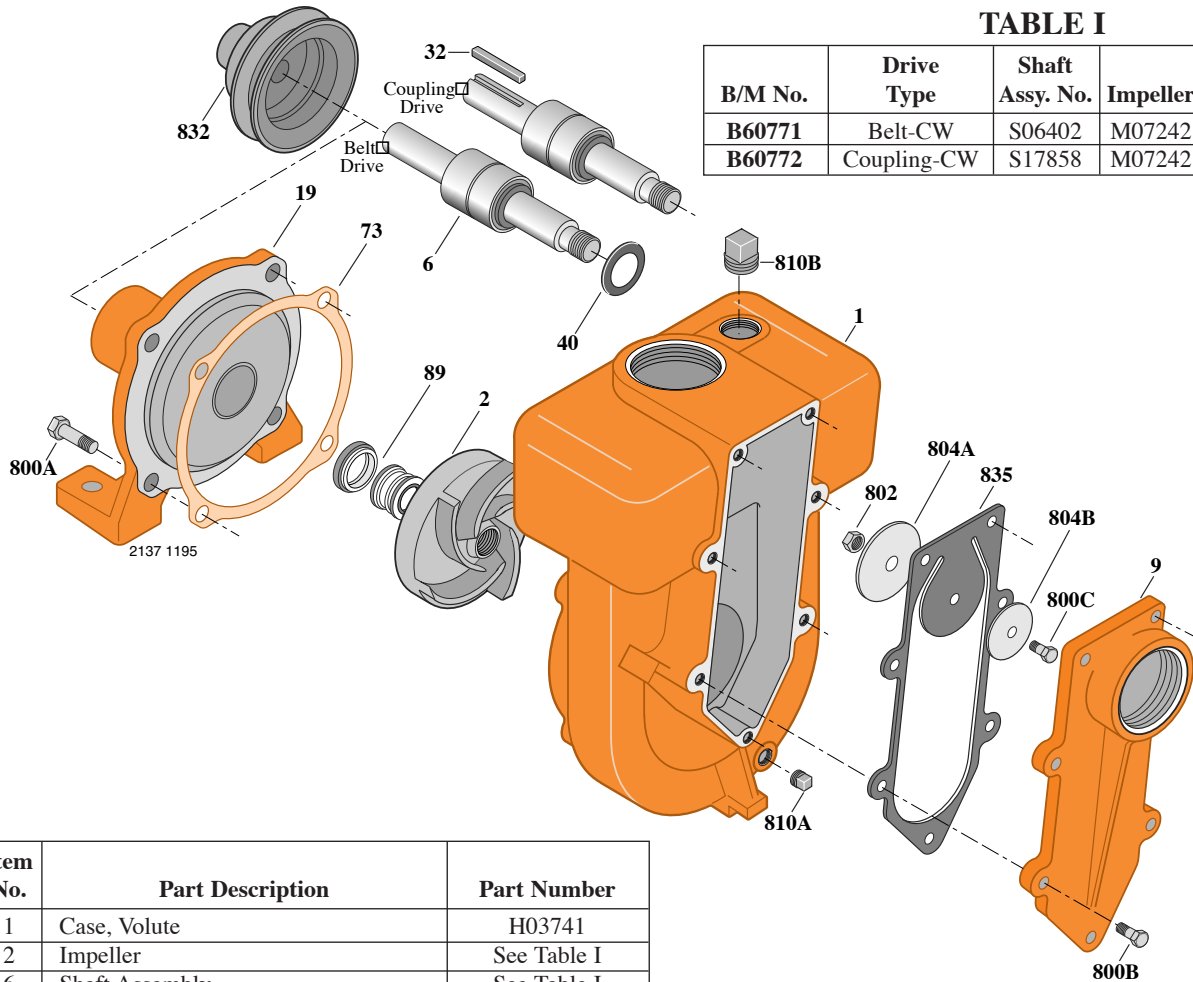


TABLE I

B/M No.	Drive Type	Shaft Assy. No.	Impeller	Impeller Size
B60771	Belt-CW	S06402	M07242	6.59" x .88" BA
B60772	Coupling-CW	S17858	M07242	6.59" x .88" BA

Item No.	Part Description	Part Number
1	Case, Volute	H03741
2	Impeller	See Table I
6	Shaft Assembly	See Table I
9	Cover, Suction	L05748
19	Frame	L01530
32	Key, 3/16x1" (Coupling Drive)	S24151
40	Slinger, Water	S21906
73	Gasket, Volute (.031 Thick)	S04757
73	Gasket, Volute (.051 Thick)	S15049
89	Seal, Mechanical Shaft	S06405
800A	Capscrew, Hex 1/2-13x1" (4 Req.)	S26912
800B	Capscrew, Hex 3/8-16x1-1/4" (7 Req.)	S26828
800C	Capscrew, Hex 3/8-16x3/4"	S26824
802	Nut, Hex 3/8-16	S23103
804A	Weight, Clack 4-1/8" O.D.	S15325
804B	Weight, Clack 3" O.D.	S14843
810A	Plug, Pipe 1/4" NPT	S23715
810B	Plug, Pipe 1-1/4" NPT	S23694
832	Sheave (Belt Drive)	S06407
835	Gasket, Clack	L05749



TYPE "B" SINGLE STAGE CENTRIFUGAL PUMP Bearing Frame Mount Self Prime

Section	FM-SP
Page	40.1
Date	January 1, 2004
Supersedes 2/1/96	

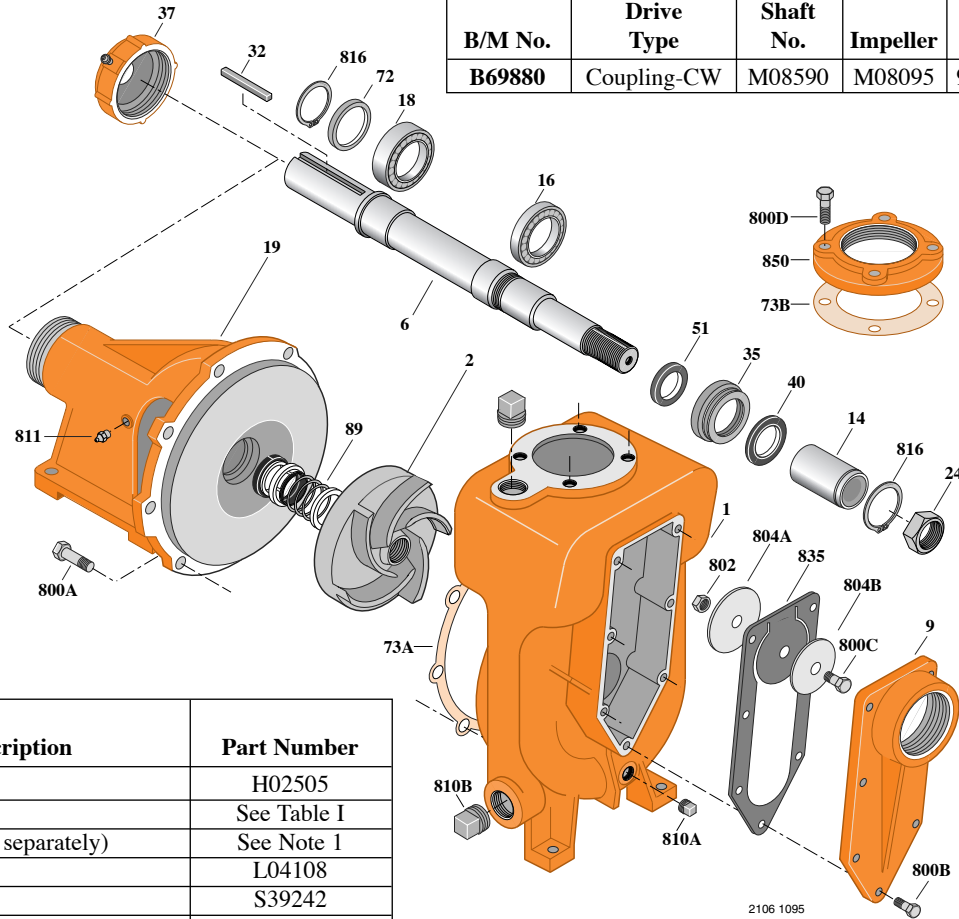
CAST IRON IMPELLER B4ZRKS

Threaded Case (NPT)

Mechanical Seal Construction

TABLE I

B/M No.	Drive Type	Shaft No.	Impeller	Impeller Size
B69880	Coupling-CW	M08590	M08095	9.12"x1.00" BA



Item No.	Part Description	Part Number
1	Case, Volute	H02505
2	Impeller	See Table I
6	Shaft (Not available separately)	See Note 1
9	Cover, Suction	L04108
14	Sleeve, Shaft	S39242
16	Bearing, Ball	S13270
18	Bearing, Ball	S13271
19	Frame	H04007
24	Nut, Hex Jam	M10220
32	Key, 1/4x1"	S24168
35	Inner Bearing Cap	M10213
37	Outer Bearing Cap*	S19914
40	Slinger, Water	S12260
51	Seal, Oil	M10216
72	Ring, Thrust	S29218
73A	Gasket, Case	S05126
73B	Gasket, Blind Flange	S10364
89	Seal, Mechanical Shaft	S32690
800A	Capscrew, Hex 3/8-16x1" (8 Req.)	S26826
800B	Capscrew, Hex 3/8-16x1-1/4" (7 Req.)	S26828

Item No.	Part Description	Part Number
800C	Capscrew, Hex 3/8-16x3/4"	S26824
800D	Capscrew, Hex 5/8-11x1-3/4" (4 Req.)	S27001
802	Nut, Hex 3/8-16	S23103
804A	Weight, Clack	S14842
804B	Weight, Clack	S15325
810A	Plug, Pipe 1/2" NPT	S23717
810B	Plug, Pipe 1-1/2" NPT (2 Req.)	S23695
811	Fitting, Grease	S23670
816	Ring, Retaining External	S23009
816	Ring, Retaining	S23010
835	Clack, Rubber	L04119
850	Flange, Companion	S15933
•	Spacer, Impeller	S15405

Includes grease fitting and set screw.

- Shaft Replacement Kit** available for this model.
Berkeley part number **B80699**.
Pump Shaft sold in shaft replacement kit only.

• Not illustrated.



TYPE "B" SINGLE STAGE CENTRIFUGAL PUMP Bearing Frame Mount Self Prime

Section	FM-SP
Page	40.2
Date	January 1, 2004
Supersedes 2/1/96	

CAST IRON IMPELLER B4ZRKS

Threaded Case (NPT)

Mechanical Seal Construction

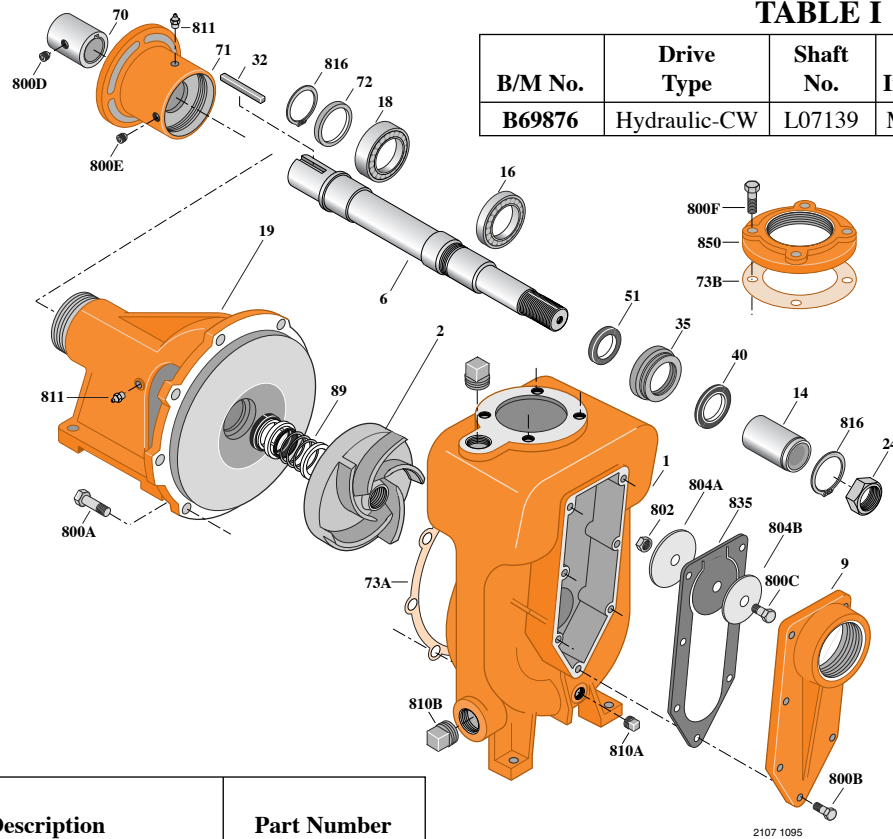


TABLE I

B/M No.	Drive Type	Shaft No.	Impeller	Impeller Size
B69876	Hydraulic-CW	L07139	M08095	9.12"x1.00" BA

Item No.	Part Description	Part Number
1	Case, Volute	H02505
2	Impeller	See Table I
6	Shaft	See Table I
9	Cover, Suction	L04108
14	Sleeve, Shaft	S39242
16	Bearing, Ball	S13270
18	Bearing, Ball	S13271
19	Frame	H04007
24	Nut, Hex Jam	M10220
32	Key, 1/4x1"	S24168
35	Inner Bearing Cap	M10213
40	Slinger, Water	S12260
51	Seal, Oil	M10216
70	Coupling, Shaft	S30636
71	Bracket, Hydraulic Motor	L05720
72	Ring, Thrust	S29218
73A	Gasket, Case	S05126
73B	Gasket, Blind Flange	S10364
89	Seal, Mechanical Shaft	S32690

Item No.	Part Description	Part Number
800A	Capscrew, Hex 3/8-16x1" (8 Req.)	S26826
800B	Capscrew, Hex 3/8-16x1-1/4" (7 Req.)	S26828
800C	Capscrew, Hex 3/8-16x3/4"	S26824
800D	Set Screw, Hex 1/2"	S23964
800E	Set Screw, Hex 5/8" (2 Req.)	S23965
800F	Capscrew, Hex 5/8-11x1-3/4" (4 Req.)	S27001
802	Nut, Hex 3/8-16	S23103
804A	Weight, Clack	S14842
804B	Weight, Clack	S15325
810A	Plug, Pipe 1/2" NPT	S23717
810B	Plug, Pipe 1-1/2" NPT (2 Req.)	S23695
811	Fitting, Grease (3 Req.)	S23670
816	Ring, Retaining External	S23009
816	Ring, Retaining	S23010
835	Clack, Rubber	L04119
850	Flange, Companion	S15933
•	Spacer, Impeller	S15405

1. **Shaft Replacement Kit** available for this model.
Berkeley part number **B80703**.
Pump Shaft sold in shaft replacement kit only.

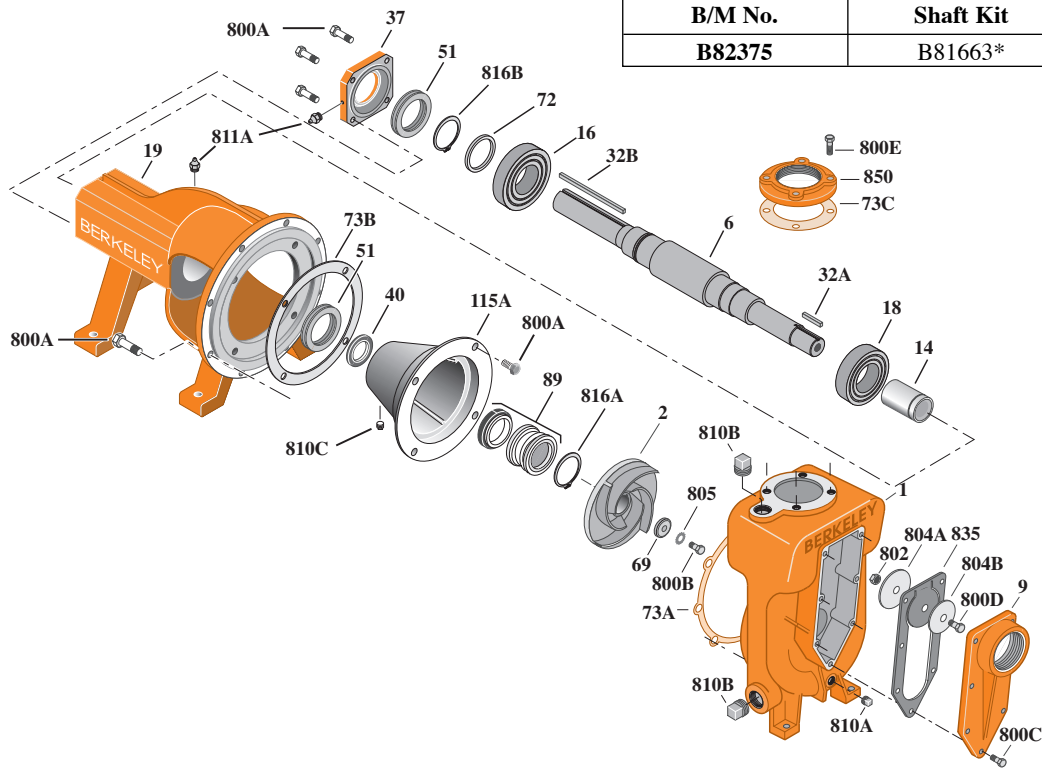
• Not illustrated.



TYPE "B" SINGLE STAGE CENTRIFUGAL PUMP Bearing Frame Mount

Section	FM/SP
Page	50.1
Date	January 1, 2004
Supersedes 12/1/02	

B4ZRK(S)



B/M No.	Shaft Kit	Impeller Size
B82375	B81663*	9.12 x 1.00 BA

B4ZRK Common Parts Groups Repair Parts List

Item No.	Part Description	Part Number
1	Volute Case	H02505
2	Impeller	M13644
6	Shaft—Sold only in Shaft Kit*	M12338
9	Suction Cover	L04108
14	1-3/8 ID x 1-3/4 OD Shaft Sleeve*	M12422
16	Single Row Ball Bearing*	S13395
18	Ball Bearing*	S13397
19	Bracket	M12332
32A	Shaft Key, 1/4" Sq. x 2-1/4" Lg. - Impeller*	S23677
32B	Shaft Key, 3/8" Sq. x 2-1/4" Lg.*	S23941
37	Bearing Cap	M12335
40	Water Slinger*	S10964
51	Grease Seal (2 Req.)*	M12337
69	Lock Washer	S06319
72	Thrust Ring*	S06519
73A	Volute Gasket	S05126
73B	Balance Ring Gasket	S09943
73C	Flange Gasket	S10364
800A	3/8-16 x 1-1/8" Lg. Hex Hd Capscrew (16 Req.)	S26827
800B	1/2-13 x 1-1/4" Lg. Capscrew	S23621
800C	3/8-16 x 1-1/4" Capscrew (7 Req.)	S26828

Item No.	Part Description	Part Number
800D	3/8-16 x 3/4" Capscrew	S26824
800E	5/8-11 x 1-1/4" Capscrew (4 Req.)	S27001
802	Clack Nut, Hex 3/8x16	S23103
804A	Clack Weight	S14842
804B	Clack Weight	S15325
805	Lock Washer	S23038
810A	1/2" NPT Pipe Plug	S23717
810B	1-1/2" NPT Pipe Plug (2 Req.)	S23695
811A	Grease Fitting (2 Req.)	S23700
816B	External Retaining Ring*	S23016
835	Rubber Clack	L04119
850	Blind Flange	S15933

Seal Components

Item No.	Part Description	Part Number
89	1-3/4" Mechanical Shaft Seal	S32015
115A	Mechanical Seal Housing	M12333
810C	1/8" NPT Sq. Hd. Pipe Plug	S23714
816A	External Retaining Ring*	S16767

* Included in Shaft Kit.

Refer to following page for model specific repair parts listing.