



TYPE "B" SINGLE STAGE CENTRIFUGAL PUMP Electric Motor Drive

| | |
|-------------------|-----------------|
| Section | CC |
| Page | 10.1 |
| Date | January 1, 2004 |
| Supersedes 6/1/95 | |

BRONZE IMPELLER

B1WP

Threaded Case (NPT)

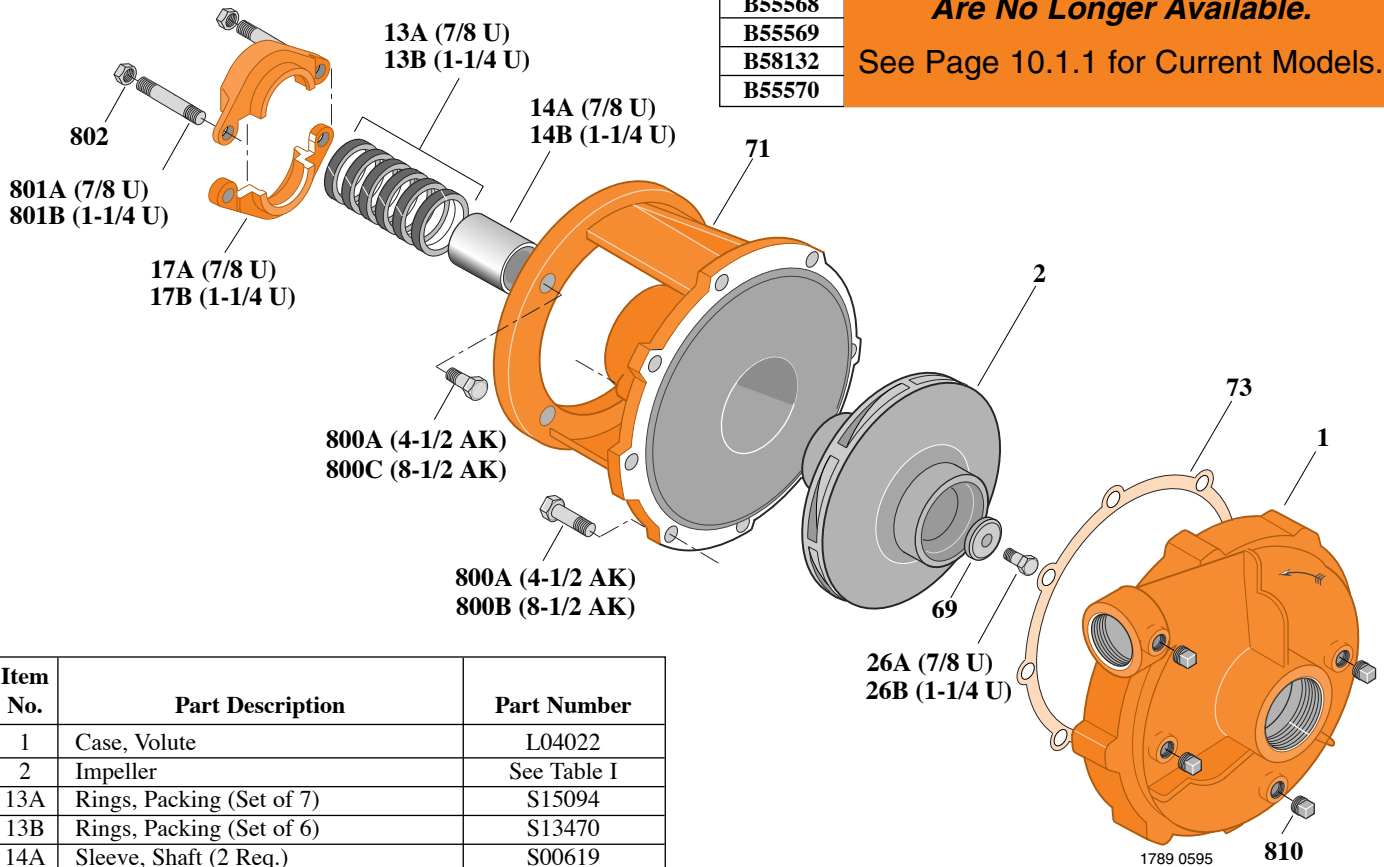
Packing Construction

TABLE I

| B/M No. | HP | PH | RPM | "U" Dim. | Imp. Dia. | Imp. No. |
|---------|----|----|-----|----------|-----------|----------|
| B55567 | | | | | | |
| B53697 | | | | | | |
| B55568 | | | | | | |
| B55569 | | | | | | |
| B58132 | | | | | | |
| B55570 | | | | | | |

**These B/M Numbers
Are No Longer Available.**

See Page 10.1.1 for Current Models.



| Item No. | Part Description | Part Number |
|----------|--------------------------------------|--------------|
| 1 | Case, Volute | L04022 |
| 2 | Impeller | See Table I |
| 13A | Rings, Packing (Set of 7) | S15094 |
| 13B | Rings, Packing (Set of 6) | S13470 |
| 14A | Sleeve, Shaft (2 Req.) | S00619 |
| 14B | Sleeve, Shaft | S05149 |
| 17A | Gland, Packing | B82469 |
| 17B | Gland, Packing | B82470 |
| 26A | Screw, Impeller 3/8 - 16 x 1" | S23566 |
| 26B | Screw, Impeller 1/2 - 13 x 1-1/4" | S23621 |
| 32 | Key, 3/16 x 1-1/4" (See Note) | S34383 |
| 69 | Washer, Impeller | S16239 |
| 71 | Bracket | See Table II |
| 73 | Gasket, Volute | S05126 |
| 800A | Capscrew, 3/8 - 16 x 1" (12 Req.) | S26826 |
| 800B | Capscrew, 3/8 - 16 x 1-1/8" (8 Req.) | S26827 |
| 800C | Capscrew, 1/2 - 13 x 1-1/2" (4 Req.) | S26916 |
| 801A | Stud, 3/8 - 16 x 3" (2 Req.) | S04439 |
| 801B | Stud, 3/8 - 16 x 4" (2 Req.) | S08303 |
| 802 | Nut, Hex 3/8 - 16 (2 Req.) | S23343 |
| 810 | Plug, Pipe 1/4 NPT (4 Req.) | S23715 |

TABLE II

| HP | PH | Bracket No. | "AK" Fit | "U" Dim. | Motor Frame |
|-----|----|-------------|----------|----------|-------------|
| 3 | 1 | H00950 | 4-1/2" | 7/8" | 182JP |
| 3 | 3 | H00950 | 4-1/2" | 7/8" | 154JP |
| 5 | 1 | H00950 | 4-1/2" | 7/8" | 184JP |
| 5 | 3 | H00950 | 4-1/2" | 7/8" | 182JP |
| 7.5 | 1 | L03827 | 8-1/2" | 1-1/4" | 213JP |
| 7.5 | 3 | H00950 | 4-1/2" | 7/8" | 184JP |

NOTE: For an explanation of the tabulated material found on this page and for impeller key location, refer to *Supplement A* located at the beginning of this section.



TYPE "B" SINGLE STAGE CENTRIFUGAL PUMP Electric Motor Drive

| | |
|----------------|-----------------|
| Section | CC |
| Page | 10.1.1 |
| Date | January 1, 2004 |
| Supersedes/New | |

BRONZE IMPELLER

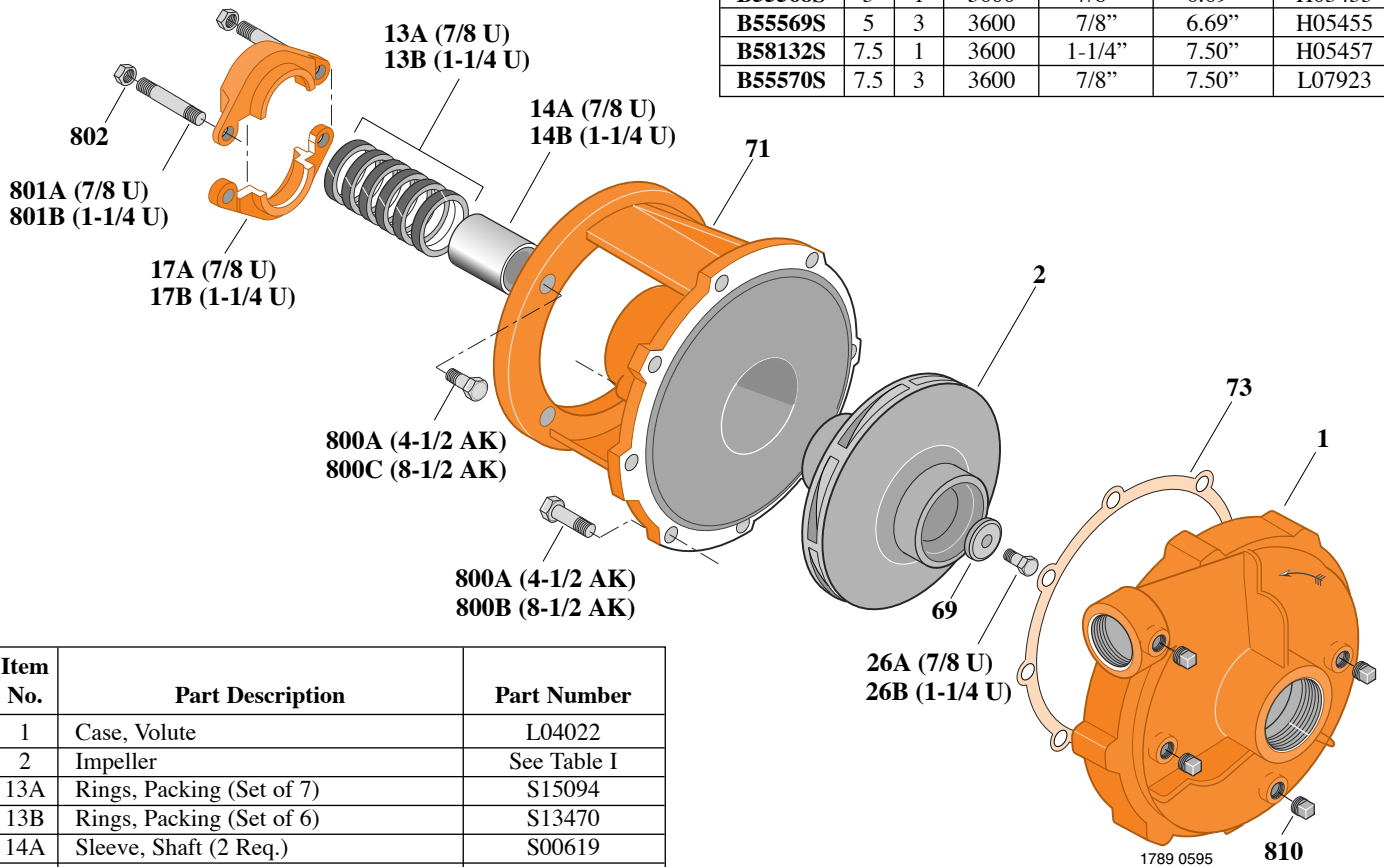
B1WP

Threaded Case (NPT)

Packing Construction

TABLE I

| B/M No. | HP | PH | RPM | "U" Dim. | Imp. Dia. | Imp. No. |
|---------|-----|----|------|----------|-----------|----------|
| B55567S | 3 | 1 | 3600 | 7/8" | 5.75" | H05454 |
| B53697S | 3 | 3 | 3600 | 7/8" | 5.75" | H05454 |
| B55568S | 5 | 1 | 3600 | 7/8" | 6.69" | H05455 |
| B55569S | 5 | 3 | 3600 | 7/8" | 6.69" | H05455 |
| B58132S | 7.5 | 1 | 3600 | 1-1/4" | 7.50" | H05457 |
| B55570S | 7.5 | 3 | 3600 | 7/8" | 7.50" | L07923 |



| Item No. | Part Description | Part Number |
|----------|--------------------------------------|--------------|
| 1 | Case, Volute | L04022 |
| 2 | Impeller | See Table I |
| 13A | Rings, Packing (Set of 7) | S15094 |
| 13B | Rings, Packing (Set of 6) | S13470 |
| 14A | Sleeve, Shaft (2 Req.) | S00619 |
| 14B | Sleeve, Shaft | S05149 |
| 17A | Gland, Packing | B82469 |
| 17B | Gland, Packing | B82470 |
| 26A | Screw, Impeller 3/8 - 16 x 1" | S23566 |
| 26B | Screw, Impeller 1/2 - 13 x 1-1/4" | S23621 |
| 32 | Key, 3/16 x 1-1/4" (See Note) | S34383 |
| 69 | Washer, Impeller | S16239 |
| 71 | Bracket | See Table II |
| 73 | Gasket, Volute | S05126 |
| 800A | Capscrew, 3/8 - 16 x 1" (12 Req.) | S26826 |
| 800B | Capscrew, 3/8 - 16 x 1-1/8" (8 Req.) | S26827 |
| 800C | Capscrew, 1/2 - 13 x 1-1/2" (4 Req.) | S26916 |
| 801A | Stud, 3/8 - 16 x 3" (2 Req.) | S04439 |
| 801B | Stud, 3/8 - 16 x 4" (2 Req.) | S08303 |
| 802 | Nut, Hex 3/8 - 16 (2 Req.) | S23343 |
| 810 | Plug, Pipe 1/4 NPT (4 Req.) | S23715 |

TABLE II

| HP | PH | Bracket No. | "AK" Fit | "U" Dim. | Motor Frame |
|-----|----|-------------|----------|----------|-------------|
| 3 | 1 | H00950 | 4-1/2" | 7/8" | 182JP |
| 3 | 3 | H00950 | 4-1/2" | 7/8" | 154JP |
| 5 | 1 | H00950 | 4-1/2" | 7/8" | 184JP |
| 5 | 3 | H00950 | 4-1/2" | 7/8" | 182JP |
| 7.5 | 1 | L03827 | 8-1/2" | 1-1/4" | 213JP |
| 7.5 | 3 | H00950 | 4-1/2" | 7/8" | 184JP |

NOTE: For an explanation of the tabulated material found on this page and for impeller key location, refer to *Supplement A* located at the beginning of this section.



TYPE "B" SINGLE STAGE CENTRIFUGAL PUMP Electric Motor Drive

| | |
|-------------------|--------------|
| Section | CC |
| Page | 10.2 |
| Date | May 15, 2009 |
| Supersedes 1/1/04 | |

BRONZE IMPELLER

B1WPS

Threaded Case (NPT)

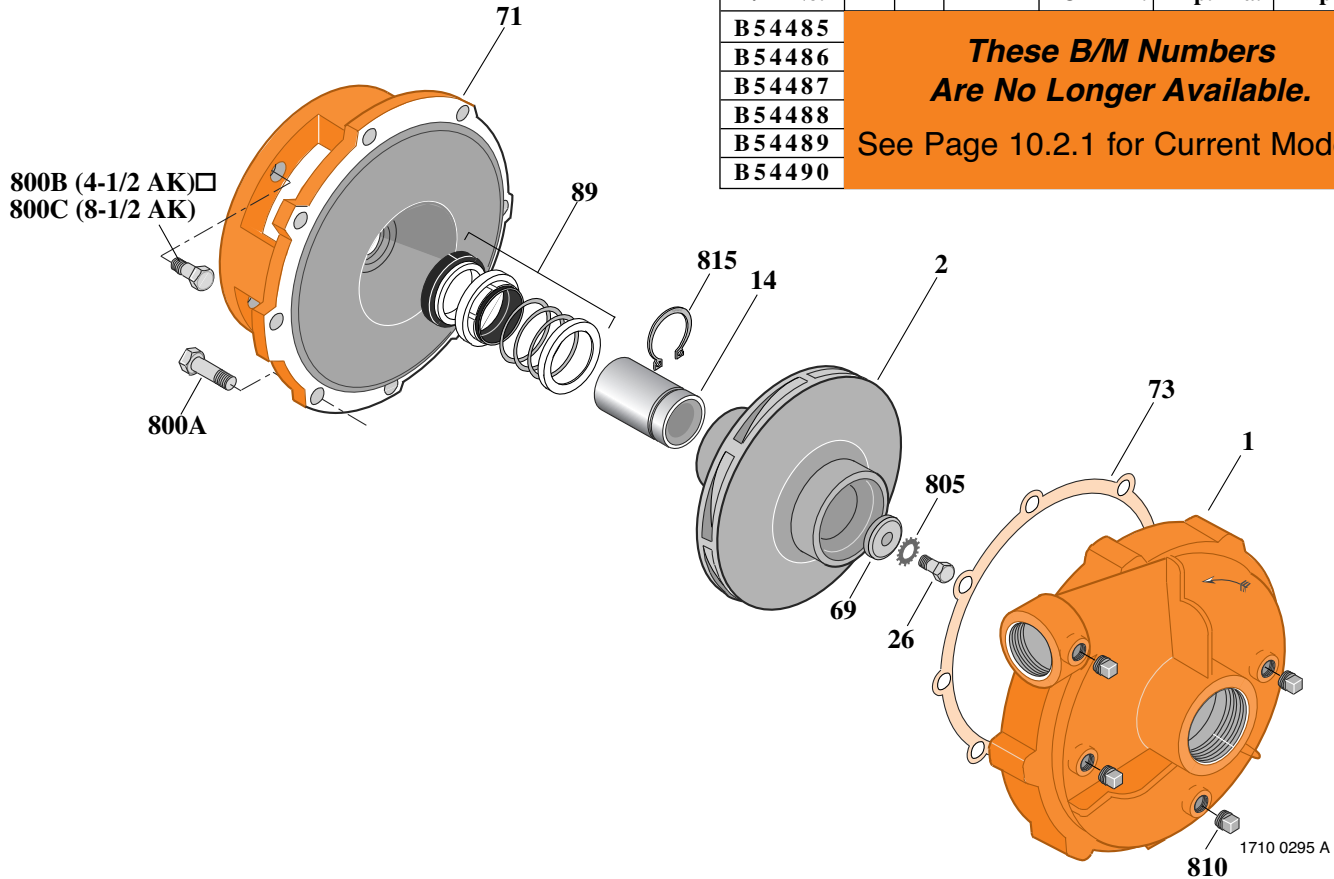
Mechanical Shaft Seal Construction

TABLE I

| B/M No. | HP | PH | RPM | "U" Dim. | Imp. Dia. | Imp. No. |
|---------|----|----|-----|----------|-----------|----------|
| B 54485 | | | | | | |
| B 54486 | | | | | | |
| B 54487 | | | | | | |
| B 54488 | | | | | | |
| B 54489 | | | | | | |
| B 54490 | | | | | | |

**These B/M Numbers
Are No Longer Available.**

See Page 10.2.1 for Current Models.



| Item No. | Part Description | Part Number |
|----------|-----------------------------------|--------------|
| 1 | Case, Volute | L04022 |
| 2 | Impeller | See Table I |
| 14 | Sleeve, Shaft (See Note 2) | S19310L |
| 26 | Screw, Impeller 3/8 - 16 x 1□ | S23566 |
| 32 | Key, 3/16 x 1-1/4□(See Note 1) | S34383 |
| 69 | Washer, Impeller | S16239 |
| 71 | Bracket | See Table II |
| 73 | Gasket, Volute | S05126 |
| 89 | Seal, Mechanical Shaft | S32014 |
| 800A | Capscrew, 3/8 - 16 x 1□(8 Req.) | S26826 |
| 800B | Capscrew, 3/8 - 16 x 7/8□(4 Req.) | S26825 |
| 800C | Capscrew, 1/2 - 13 x 1□(4 Req.) | S26192 |
| 810 | Plug, Pipe 1/4 NPT (4 Req.) | S23715 |
| 815 | Ring, Retaining | S11207 |

TABLE II

| HP | PH | Bracket No. | "AK" Fit | "U" Dim. | Motor Frame |
|-----|----|-------------|----------|----------|-------------|
| 3 | 1 | L05332 | 4-1/2□ | 7/8□ | 182JM |
| 3 | 3 | L05332 | 4-1/2□ | 7/8□ | 154JM |
| 5 | 1 | L05332 | 4-1/2□ | 7/8□ | 184JM |
| 5 | 3 | L05332 | 4-1/2□ | 7/8□ | 182JM |
| 7.5 | 1 | L05331 | 8-1/2□ | 7/8□ | 213JM |
| 7.5 | 3 | L05332 | 4-1/2□ | 7/8□ | 184JM |

NOTE 1: For an explanation of the tabulated material found on this page and for impeller key location, refer to **Supplement A** located at the beginning of this section.

NOTE 2: Sleeve replacement kit available. Berkeley part number B85681 includes the shaft sleeve, adhesive compound and instruction sheet.



TYPE "B" SINGLE STAGE CENTRIFUGAL PUMP Electric Motor Drive

| | |
|-------------------|--------------|
| Section | CC |
| Page | 10.2.1 |
| Date | May 15, 2009 |
| Supersedes 1/1/04 | |

BRONZE IMPELLER

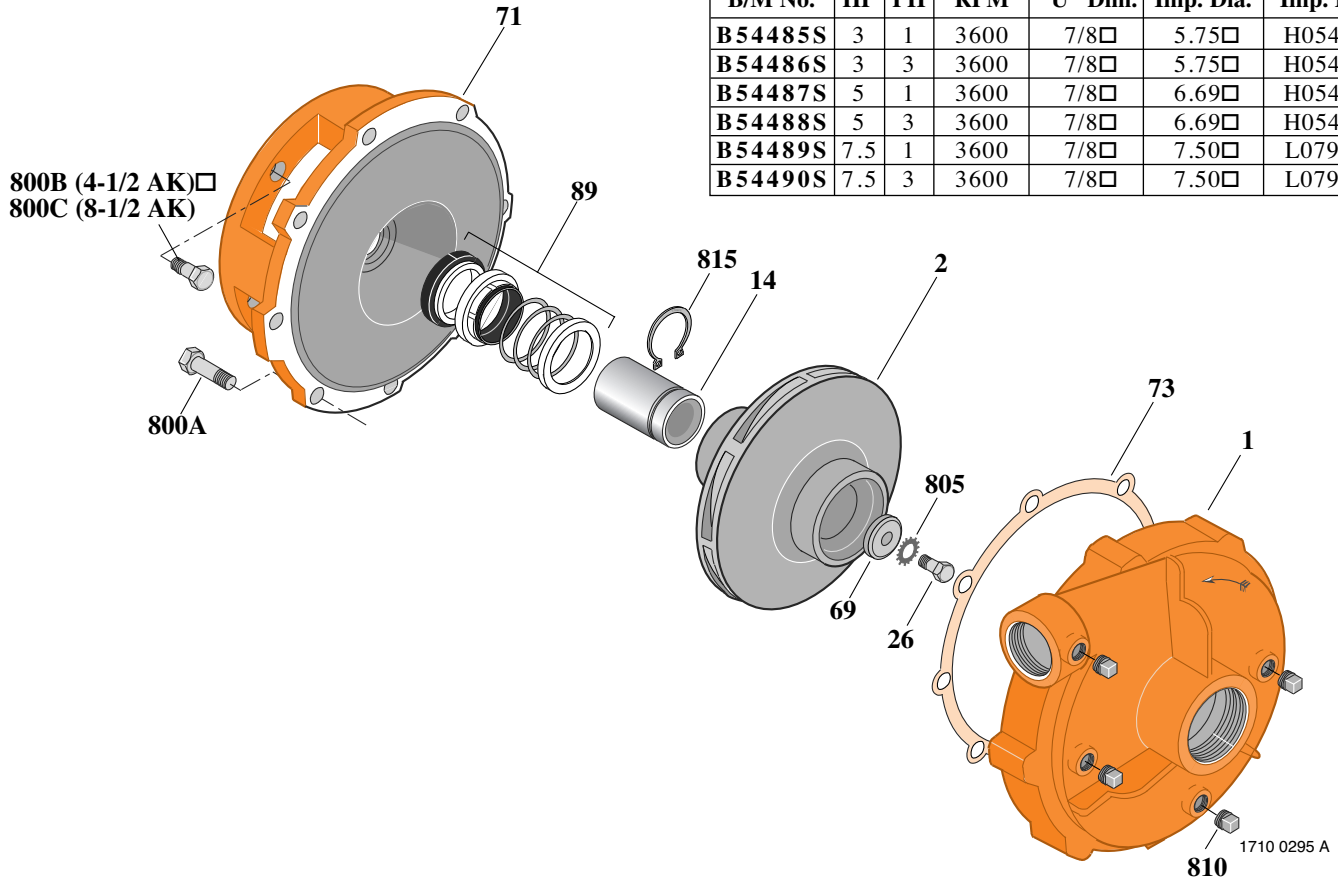
B1WPS

Threaded Case (NPT)

Mechanical Shaft Seal Construction

TABLE I

| B/M No. | HP | PH | RPM | "U" Dim. | Imp. Dia. | Imp. No. |
|---------|-----|----|------|----------|-----------|----------|
| B54485S | 3 | 1 | 3600 | 7/8□ | 5.75□ | H05454 |
| B54486S | 3 | 3 | 3600 | 7/8□ | 5.75□ | H05454 |
| B54487S | 5 | 1 | 3600 | 7/8□ | 6.69□ | H05455 |
| B54488S | 5 | 3 | 3600 | 7/8□ | 6.69□ | H05455 |
| B54489S | 7.5 | 1 | 3600 | 7/8□ | 7.50□ | L07923 |
| B54490S | 7.5 | 3 | 3600 | 7/8□ | 7.50□ | L07923 |



| Item No. | Part Description | Part Number |
|----------|-----------------------------------|--------------|
| 1 | Case, Volute | L04022 |
| 2 | Impeller | See Table I |
| 14 | Sleeve, Shaft (See Note 2) | S19310L |
| 26 | Screw, Impeller 3/8 - 16 x 1□ | S23566 |
| 32 | Key, 3/16 x 1-1/4□(See Note 1) | S34383 |
| 69 | Washer, Impeller | S16239 |
| 71 | Bracket | See Table II |
| 73 | Gasket, Volute | S05126 |
| 89 | Seal, Mechanical Shaft | S32014 |
| 800A | Capscrew, 3/8 - 16 x 1□(8 Req.) | S26826 |
| 800B | Capscrew, 3/8 - 16 x 7/8□(4 Req.) | S26825 |
| 800C | Capscrew, 1/2 - 13 x 1□(4 Req.) | S26192 |
| 810 | Plug, Pipe 1/4 NPT (4 Req.) | S23715 |
| 815 | Ring, Retaining | S11207 |

TABLE II

| HP | PH | Bracket No. | "AK" Fit | "U" Dim. | Motor Frame |
|-----|----|-------------|----------|----------|-------------|
| 3 | 1 | L05332 | 4-1/2□ | 7/8□ | 182JM |
| 3 | 3 | L05332 | 4-1/2□ | 7/8□ | 154JM |
| 5 | 1 | L05332 | 4-1/2□ | 7/8□ | 184JM |
| 5 | 3 | L05332 | 4-1/2□ | 7/8□ | 182JM |
| 7.5 | 1 | L05331 | 8-1/2□ | 7/8□ | 213JM |
| 7.5 | 3 | L05332 | 4-1/2□ | 7/8□ | 184JM |

NOTE 1: For an explanation of the tabulated material found on this page and for impeller key location, refer to *Supplement A* located at the beginning of this section.

NOTE 2: Sleeve replacement kit available. Berkeley part number B85681 includes the shaft sleeve, adhesive compound and instruction sheet.



TYPE "B" SINGLE STAGE CENTRIFUGAL PUMP Electric Motor Drive

| | |
|----------------|-------------------|
| Section | CC |
| Page | 10.3 |
| Date | September 1, 1995 |
| Supersedes/New | |

SILICON BRONZE IMPELLER

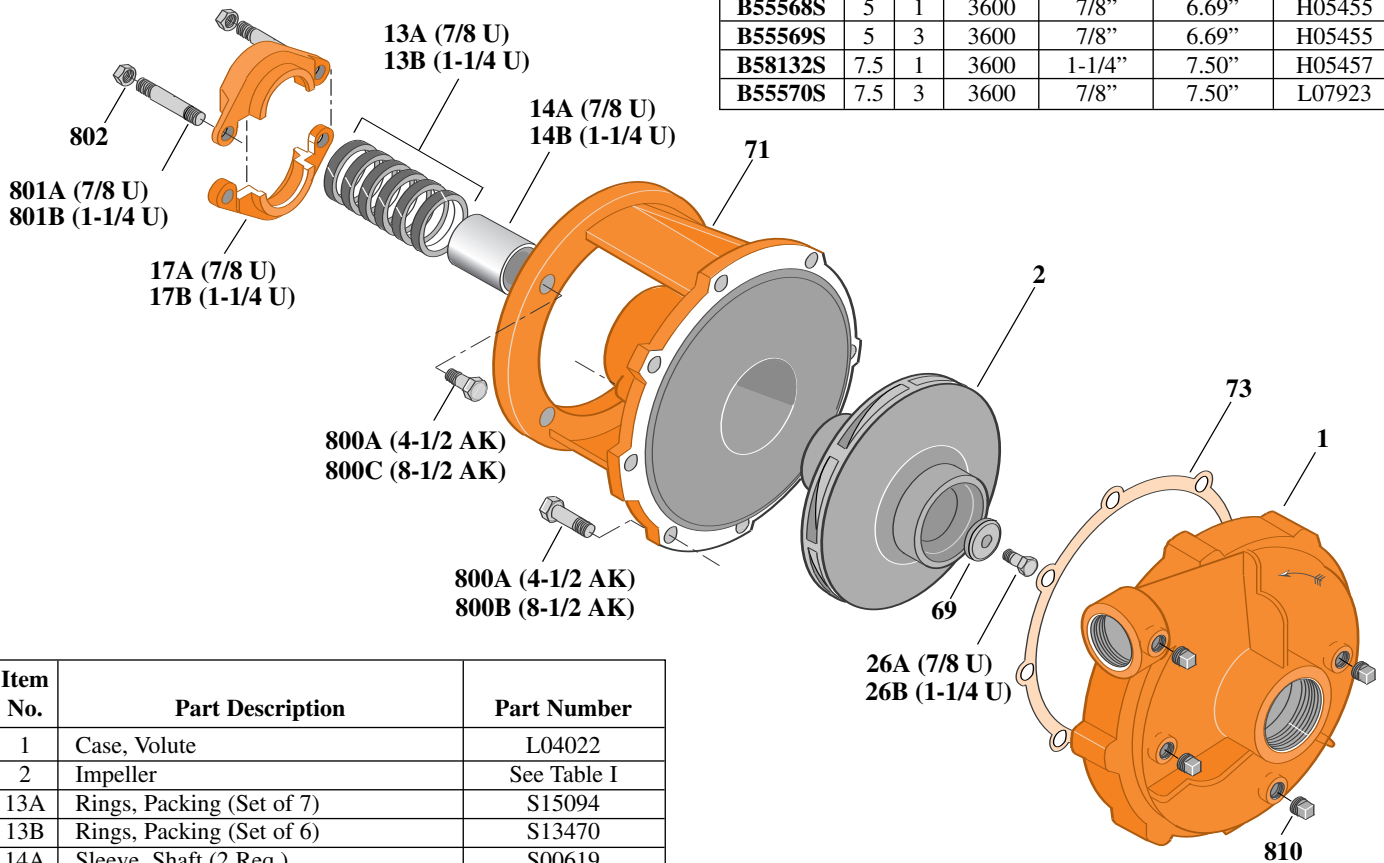
B1WP

Threaded Case (NPT)

Packing Construction

TABLE I

| B/M No. | HP | PH | RPM | "U" Dim. | Imp. Dia. | Imp. No. |
|---------|-----|----|------|----------|-----------|----------|
| B55567S | 3 | 1 | 3600 | 7/8" | 5.75" | H05454 |
| B53697S | 3 | 3 | 3600 | 7/8" | 5.75" | H05454 |
| B55568S | 5 | 1 | 3600 | 7/8" | 6.69" | H05455 |
| B55569S | 5 | 3 | 3600 | 7/8" | 6.69" | H05455 |
| B58132S | 7.5 | 1 | 3600 | 1-1/4" | 7.50" | H05457 |
| B55570S | 7.5 | 3 | 3600 | 7/8" | 7.50" | L07923 |



| Item No. | Part Description | Part Number |
|----------|--------------------------------------|--------------|
| 1 | Case, Volute | L04022 |
| 2 | Impeller | See Table I |
| 13A | Rings, Packing (Set of 7) | S15094 |
| 13B | Rings, Packing (Set of 6) | S13470 |
| 14A | Sleeve, Shaft (2 Req.) | S00619 |
| 14B | Sleeve, Shaft | S05149 |
| 17A | Gland, Packing | S00393 |
| 17B | Gland, Packing | S12034 |
| 26A | Screw, Impeller 3/8 - 16 x 1" | S23566 |
| 26B | Screw, Impeller 1/2 - 13 x 1-1/4" | S23621 |
| 32 | Key, 3/16 x 1-1/4" (See Note) | S34383 |
| 69 | Washer, Impeller | S16239 |
| 71 | Bracket | See Table II |
| 73 | Gasket, Volute | S05126 |
| 800A | Capscrew, 3/8 - 16 x 1" (12 Req.) | S26826 |
| 800B | Capscrew, 3/8 - 16 x 1" (8 Req.) | S26826 |
| 800C | Capscrew, 1/2 - 13 x 1-1/2" (4 Req.) | S26916 |
| 801A | Stud, 3/8 - 16 x 3" (2 Req.) | S004439 |
| 801B | Stud, 3/8 - 16 x 4" (2 Req.) | S08303 |
| 802 | Nut, Hex 3/8 - 16 (2 Req.) | S23343 |
| 810 | Plug, Pipe 1/4 NPT (4 Req.) | S23715 |

TABLE II

| HP | PH | Bracket No. | "AK" Fit | "U" Dim. | Motor Frame |
|-----|----|-------------|----------|----------|-------------|
| 3 | 1 | H00950 | 4-1/2" | 7/8" | 182JP |
| 3 | 3 | H00950 | 4-1/2" | 7/8" | 154JP |
| 5 | 1 | H00950 | 4-1/2" | 7/8" | 184JP |
| 5 | 3 | H00950 | 4-1/2" | 7/8" | 182JP |
| 7.5 | 1 | L03827 | 8-1/2" | 1-1/4" | 213JP |
| 7.5 | 3 | H00950 | 4-1/2" | 7/8" | 184JP |

NOTE: For an explanation of the tabulated material found on this page and for impeller key location, refer to *Supplement A* located at the beginning of this section.



TYPE "B" SINGLE STAGE CENTRIFUGAL PUMP Electric Motor Drive

| | |
|----------------|-------------------|
| Section | CC |
| Page | 10.4 |
| Date | September 1, 1995 |
| Supersedes/New | |

SILICON BRONZE IMPELLER

B1WPS

Threaded Case (NPT)

Mechanical Shaft Seal Construction

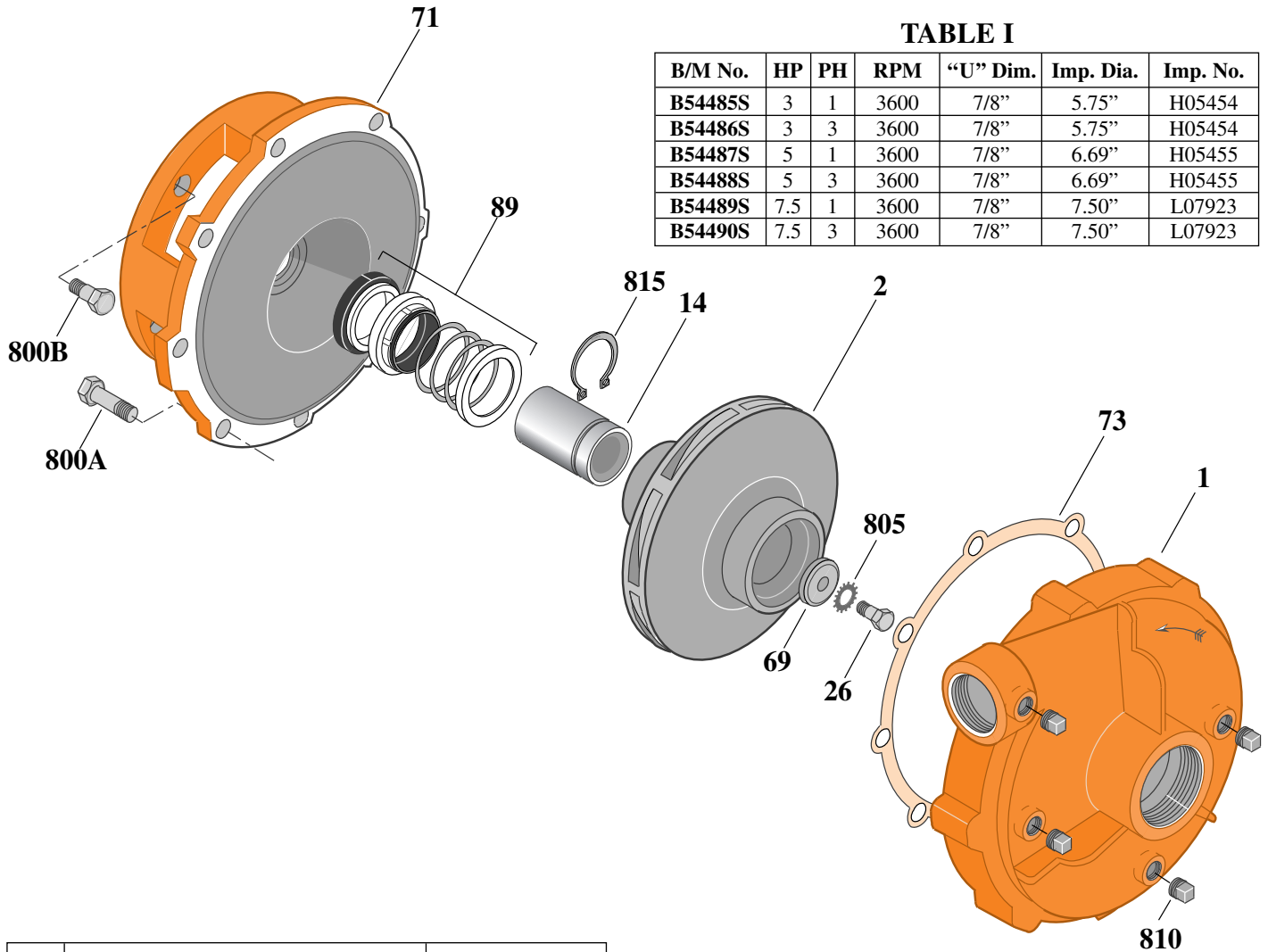


TABLE I

| B/M No. | HP | PH | RPM | "U" Dim. | Imp. Dia. | Imp. No. |
|---------|-----|----|------|----------|-----------|----------|
| B54485S | 3 | 1 | 3600 | 7/8" | 5.75" | H05454 |
| B54486S | 3 | 3 | 3600 | 7/8" | 5.75" | H05454 |
| B54487S | 5 | 1 | 3600 | 7/8" | 6.69" | H05455 |
| B54488S | 5 | 3 | 3600 | 7/8" | 6.69" | H05455 |
| B54489S | 7.5 | 1 | 3600 | 7/8" | 7.50" | L07923 |
| B54490S | 7.5 | 3 | 3600 | 7/8" | 7.50" | L07923 |

| Item No. | Part Description | Part Number |
|----------|------------------------------------|--------------|
| 1 | Case, Volute | L04022 |
| 2 | Impeller | See Table I |
| 14 | Sleeve, Shaft | S19310 |
| 26 | Screw, Impeller 3/8 - 16 x 1" | S23566 |
| 32 | Key, 3/16 x 1-1/4" (See Note) | S34383 |
| 69 | Washer, Impeller | S16239 |
| 71 | Bracket | See Table II |
| 73 | Gasket, Volute | S05126 |
| 89 | Seal, Mechanical Shaft | S32014 |
| 800A | Capscrew, 3/8 - 16 x 1" (8 Req.) | S26826 |
| 800B | Capscrew, 3/8 - 16 x 7/8" (4 Req.) | S26825 |
| 810 | Plug, Pipe 1/4 NPT (4 Req.) | S23715 |
| 815 | Ring, Retaining | S11207 |

TABLE II

| HP | PH | Bracket No. | "AK" Fit | "U" Dim. | Motor Frame |
|-----|----|-------------|----------|----------|-------------|
| 3 | 1 | L05332 | 4-1/2" | 7/8" | 182JM |
| 3 | 3 | L05332 | 4-1/2" | 7/8" | 154JM |
| 5 | 1 | L05332 | 4-1/2" | 7/8" | 184JM |
| 5 | 3 | L05332 | 4-1/2" | 7/8" | 182JM |
| 7.5 | 1 | L05331 | 8-1/2" | 7/8" | 213JM |
| 7.5 | 3 | L05332 | 4-1/2" | 7/8" | 184JM |

NOTE: For an explanation of the tabulated material found on this page and for impeller key location, refer to *Supplement A* located at the beginning of this section.



TYPE "B" SINGLE STAGE CENTRIFUGAL PUMP Electric Motor Drive

| | |
|-------------------|-----------------|
| Section | CC |
| Page | 20.1 |
| Date | January 1, 2004 |
| Supersedes 6/1/95 | |

CAST IRON IMPELLER

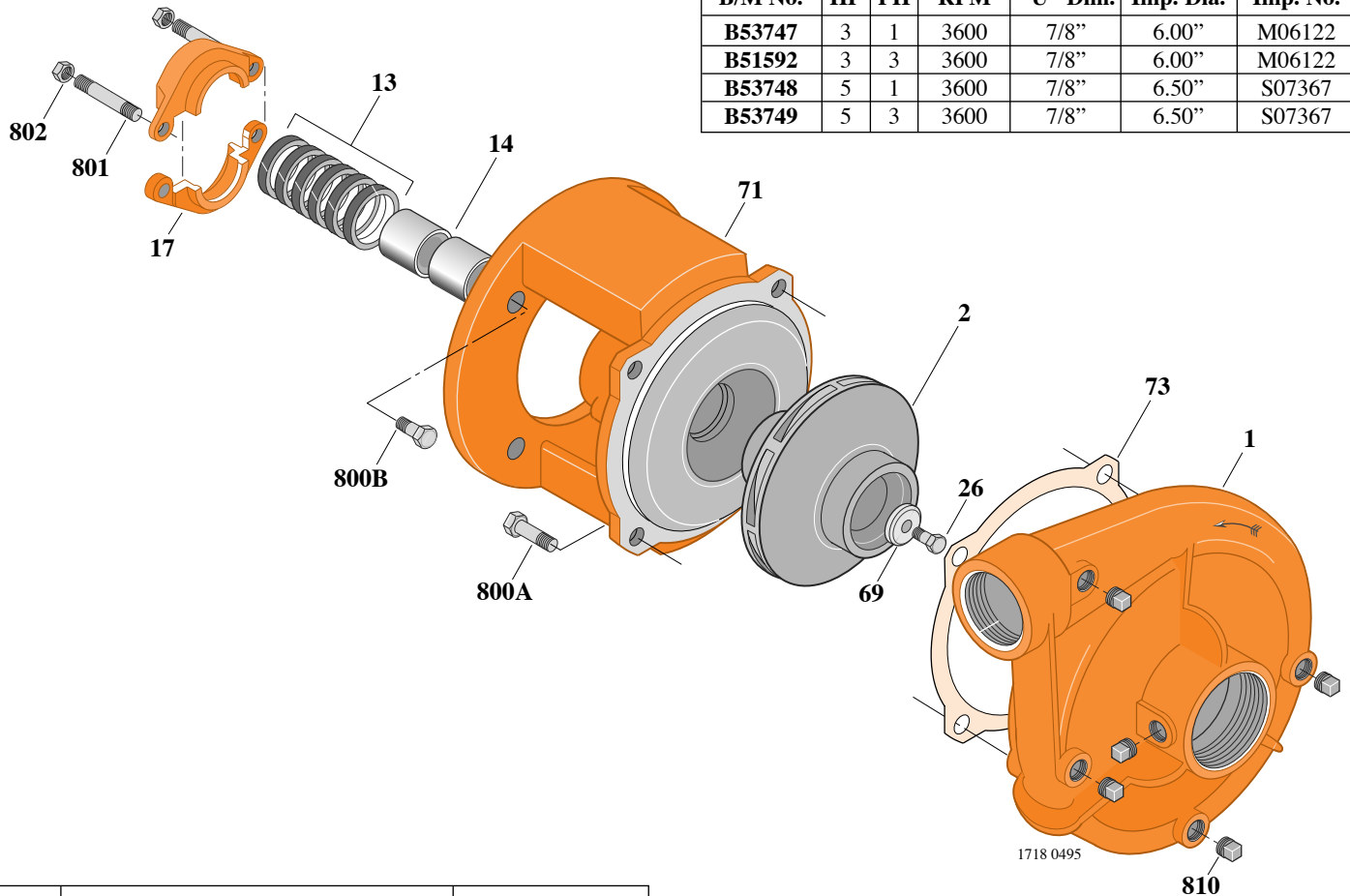
B1-1/2TPL

Threaded Case (NPT)

Packing Construction

TABLE I

| B/M No. | HP | PH | RPM | "U" Dim. | Imp. Dia. | Imp. No. |
|---------------|----|----|------|----------|-----------|----------|
| B53747 | 3 | 1 | 3600 | 7/8" | 6.00" | M06122 |
| B51592 | 3 | 3 | 3600 | 7/8" | 6.00" | M06122 |
| B53748 | 5 | 1 | 3600 | 7/8" | 6.50" | S07367 |
| B53749 | 5 | 3 | 3600 | 7/8" | 6.50" | S07367 |



| Item No. | Part Description | Part Number |
|----------|------------------------------------|--------------|
| 1 | Case, Volute | L01018 |
| 2 | Impeller | See Table I |
| 13 | Rings, Packing (Set of 6) | S13469 |
| 14 | Sleeve, Shaft (2 Req.) | S00619 |
| 17 | Gland, Packing | B82469 |
| 26 | Screw, Impeller 3/8 - 16 x 1" | S23566 |
| 32 | Key, 3/16 x 1-1/4" (See Note) | S34383 |
| 69 | Washer, Impeller | S16239 |
| 71 | Bracket | See Table II |
| 73 | Gasket, Volute | S04757 |
| 800A | Capscrew, 1/2 - 13 x 1" (4 Req.) | S26912 |
| 800B | Capscrew, 3/8 - 16 x 7/8" (4 Req.) | S26825 |
| 801 | Stud, 3/8 - 16 x 4" (2 Req.) | S08303 |
| 802 | Nut, Hex 3/8 - 16 (2 Req.) | S23343 |
| 810 | Plug, Pipe 1/4 NPT (5 Req.) | S23715 |

TABLE II

| HP | PH | Bracket No. | "AK" Fit | "U" Dim. | Motor Frame |
|----|----|-------------|----------|----------|-------------|
| 3 | 1 | L01525 | 4-1/2" | 7/8" | 182JP |
| 3 | 3 | L01525 | 4-1/2" | 7/8" | 145JP |
| 5 | 1 | L01525 | 4-1/2" | 7/8" | 184JP |
| 5 | 3 | L01525 | 4-1/2" | 7/8" | 182JP |

NOTE: For an explanation of the tabulated material found on this page and for impeller key location, refer to *Supplement A* located at the beginning of this section.



TYPE "B" SINGLE STAGE CENTRIFUGAL PUMP Electric Motor Drive

| | |
|-------------------|--------------|
| Section | CC |
| Page | 20.2 |
| Date | May 15, 2009 |
| Supersedes 1/1/04 | |

CAST IRON IMPELLER

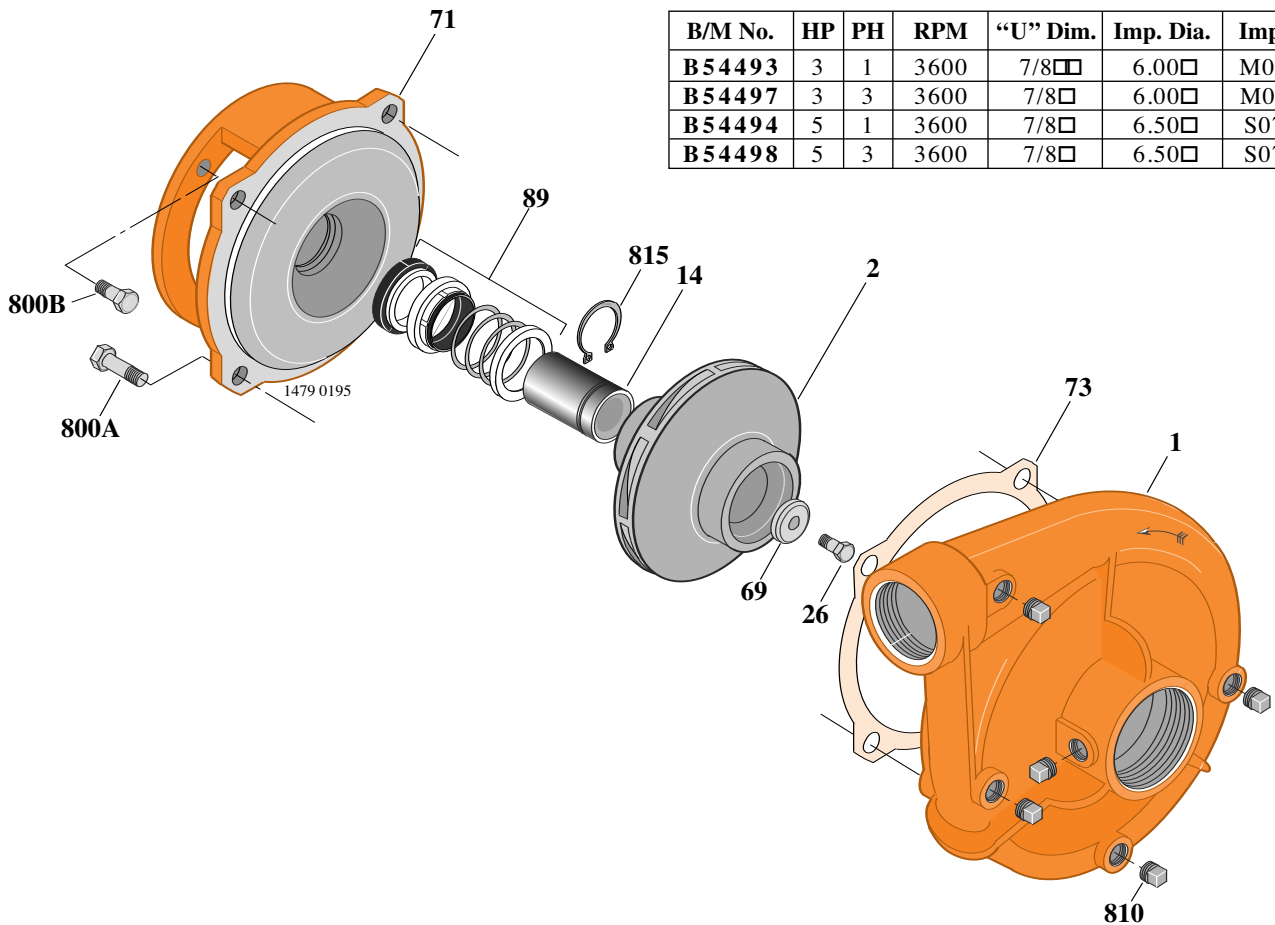
B1-1/2TPLS

Threaded Case (NPT)

Mechanical Shaft Seal Construction

TABLE I

| B/M No. | HP | PH | RPM | "U" Dim. | Imp. Dia. | Imp. No. |
|---------|----|----|------|----------|-----------|----------|
| B54493 | 3 | 1 | 3600 | 7/8□ | 6.00□ | M06122 |
| B54497 | 3 | 3 | 3600 | 7/8□ | 6.00□ | M06122 |
| B54494 | 5 | 1 | 3600 | 7/8□ | 6.50□ | S07367 |
| B54498 | 5 | 3 | 3600 | 7/8□ | 6.50□ | S07367 |



| Item No. | Part Description | Part Number |
|----------|---------------------------------|--------------|
| 1 | Case, Volute | L01018 |
| 2 | Impeller | See Table I |
| 14 | Sleeve, Shaft (See Note 2) | S19310L |
| 26 | Screw, Impeller 3/8 - 16 x 1□ | S23566 |
| 32 | Key, 3/16 x 1-1/4□(See Note 1) | S34383 |
| 69 | Washer, Impeller | S16239 |
| 71 | Bracket | See Table II |
| 73 | Gasket, Case | S04757 |
| 89 | Seal, Mechanical Shaft | S32014 |
| 800A | Capscrew, 1/2 - 13 x 1□(4 Req.) | S26912 |
| 800B | Capscrew, 3/8 - 16 x 1□(4 Req.) | S26826 |
| 810 | Pipe Plug, 1/4 NPT (5 Req.) | S23715 |
| 815 | Ring, Seal Retaining | S11207 |

TABLE II

| HP | PH | Bracket No. | "AK" Fit | "U" Dim. | Motor Frame |
|----|----|-------------|----------|----------|-------------|
| 3 | 1 | L05329 | 4-1/2□ | 7/8□ | 182JM |
| 3 | 3 | L05329 | 4-1/2□ | 7/8□ | 145JM |
| 5 | 1 | L05329 | 4-1/2□ | 7/8□ | 184JM |
| 5 | 3 | L05329 | 4-1/2□ | 7/8□ | 182JM |

NOTE 1: For an explanation of the tabulated material found on this page and for impeller key location, refer to *Supplement A* located at the beginning of this section.

NOTE 2: Sleeve replacement kit available. Berkeley part number B85681 includes the shaft sleeve, adhesive compound and instruction sheet.



TYPE "B" SINGLE STAGE CENTRIFUGAL PUMP Electric Motor Drive

| | |
|-------------------|-----------------|
| Section | CC |
| Page | 20.3 |
| Date | January 1, 2004 |
| Supersedes 6/1/95 | |

BRONZE IMPELLER

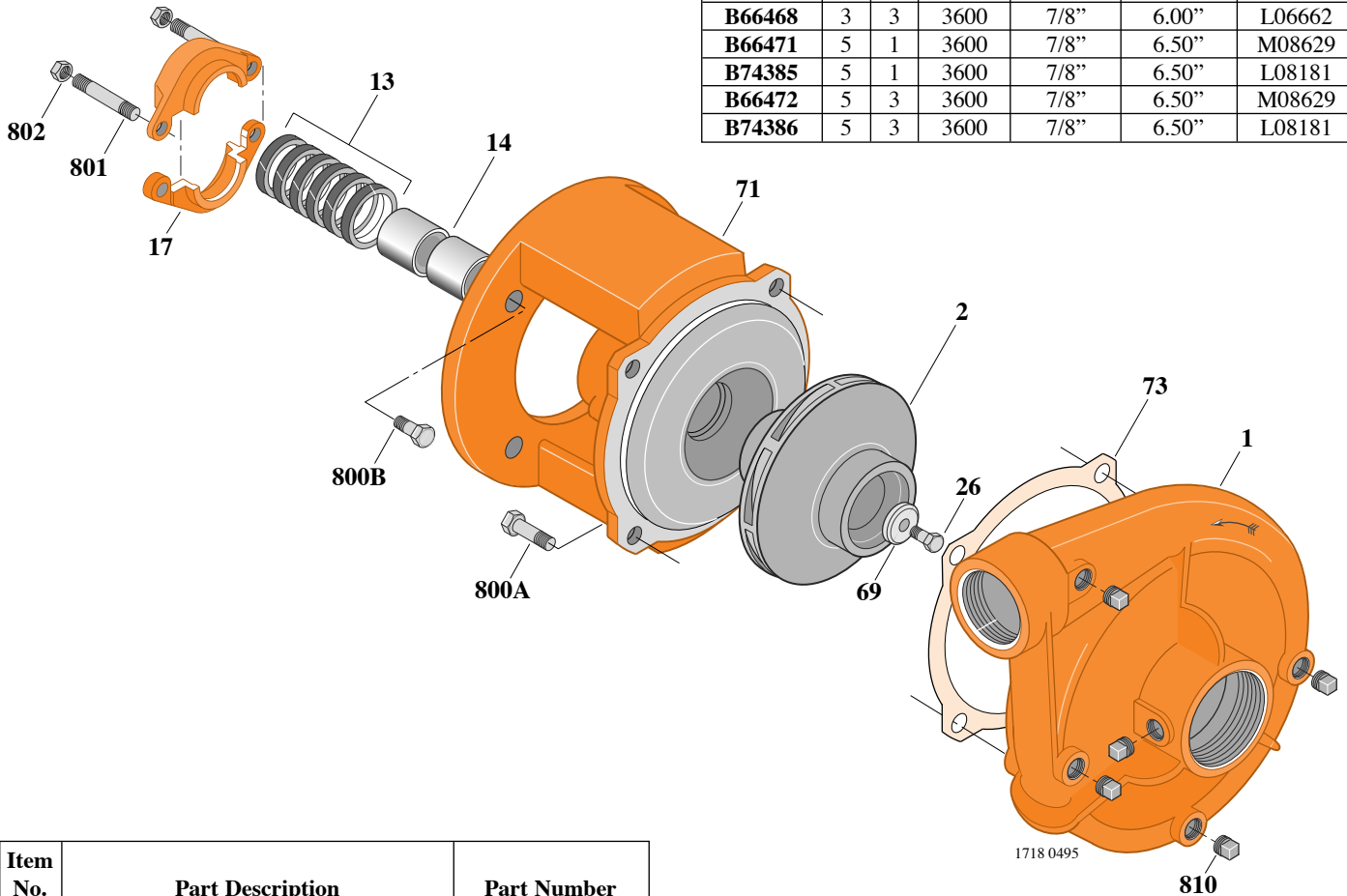
B1-1/2TPL

Threaded Case (NPT)

Packing Construction

TABLE I

| B/M No. | HP | PH | RPM | "U" Dim. | Imp. Dia. | Imp. No. |
|---------------|----|----|------|----------|-----------|----------|
| B66467 | 3 | 1 | 3600 | 7/8" | 6.00" | L06662 |
| B66468 | 3 | 3 | 3600 | 7/8" | 6.00" | L06662 |
| B66471 | 5 | 1 | 3600 | 7/8" | 6.50" | M08629 |
| B74385 | 5 | 1 | 3600 | 7/8" | 6.50" | L08181 |
| B66472 | 5 | 3 | 3600 | 7/8" | 6.50" | M08629 |
| B74386 | 5 | 3 | 3600 | 7/8" | 6.50" | L08181 |



| Item No. | Part Description | Part Number |
|----------|------------------------------------|--------------|
| 1 | Case, Volute | L01018 |
| 2 | Impeller | See Table I |
| 13 | Rings, Packing (Set of 6) | S13469 |
| 14 | Sleeve, Shaft (2 Req.) | S00619 |
| 17 | Gland, Packing | B82469 |
| 26 | Screw, Impeller 3/8 - 16 x 1" | S23566 |
| 32 | Key, 3/16 x 1-1/4" (See Note) | S34383 |
| 69 | Washer, Impeller | S16239 |
| 71 | Bracket | See Table II |
| 73 | Gasket, Volute | S04757 |
| 800A | Capscrew, 1/2 - 13 x 1" (4 Req.) | S26912 |
| 800B | Capscrew, 3/8 - 16 x 7/8" (4 Req.) | S26825 |
| 801 | Stud, 3/8 - 16 x 4" (2 Req.) | S08303 |
| 802 | Nut, Hex 3/8 - 16 (2 Req.) | S23343 |
| 810 | Plug, Pipe 1/4 NPT (5 Req.) | S23715 |

TABLE II

| HP | PH | Bracket No. | "AK" Fit | "U" Dim. | Motor Frame |
|----|----|-------------|----------|----------|-------------|
| 3 | 1 | L01525 | 4-1/2" | 7/8" | 182JP |
| 3 | 3 | L01525 | 4-1/2" | 7/8" | 145JP |
| 5 | 1 | L01525 | 4-1/2" | 7/8" | 184JP |
| 5 | 3 | L01525 | 4-1/2" | 7/8" | 182JP |

NOTE: For an explanation of the tabulated material found on this page and for impeller key location, refer to *Supplement A* located at the beginning of this section.



TYPE "B" SINGLE STAGE CENTRIFUGAL PUMP Electric Motor Drive

| | |
|-------------------|--------------|
| Section | CC |
| Page | 20.4 |
| Date | May 15, 2009 |
| Supersedes 1/1/04 | |

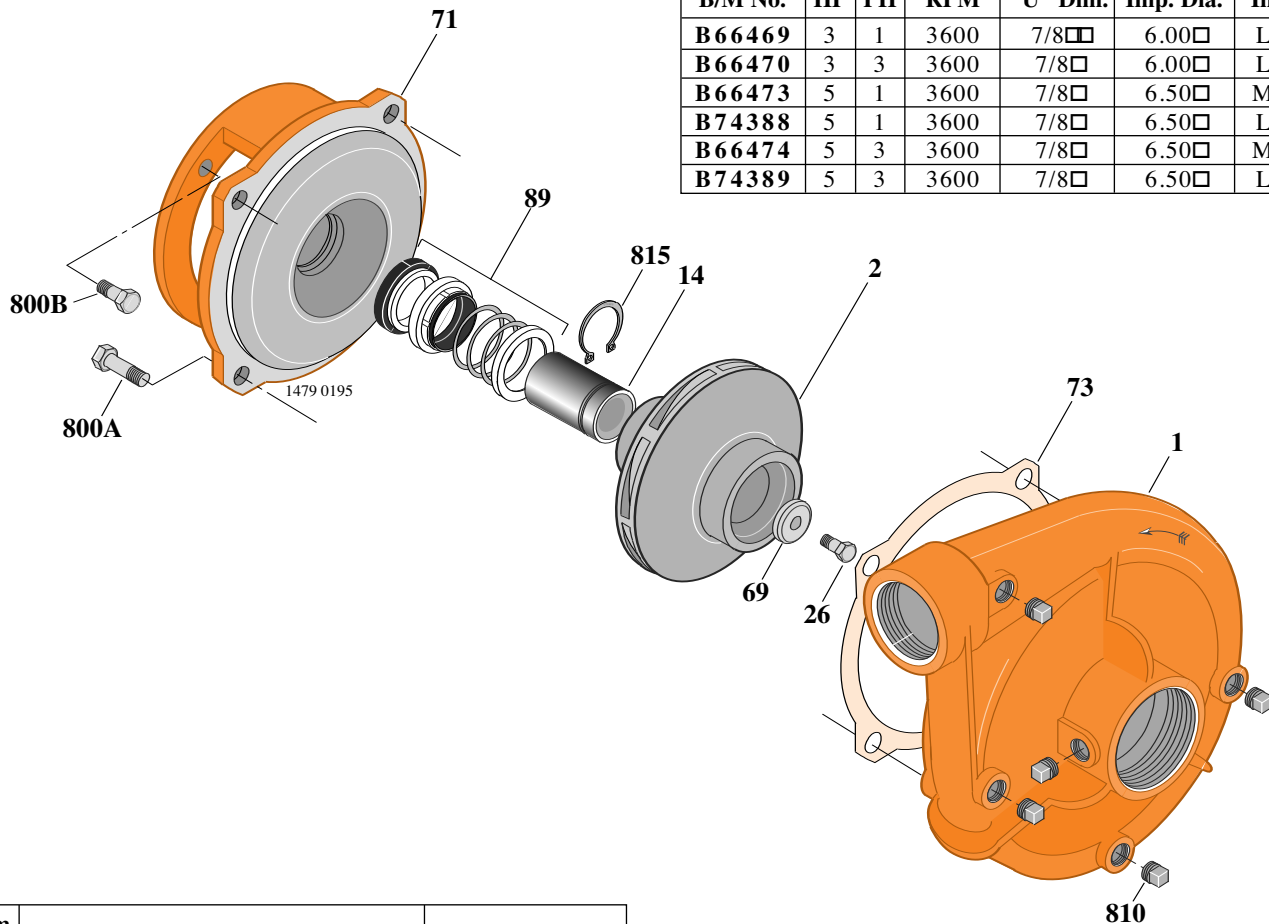
BRONZE IMPELLER B1-1/2TPLS

Threaded Case (NPT)

Mechanical Shaft Seal Construction

TABLE I

| B/M No. | HP | PH | RPM | "U" Dim. | Imp. Dia. | Imp. No. |
|---------|----|----|------|----------|-----------|----------|
| B 66469 | 3 | 1 | 3600 | 7/8□ | 6.00□ | L06662 |
| B 66470 | 3 | 3 | 3600 | 7/8□ | 6.00□ | L06662 |
| B 66473 | 5 | 1 | 3600 | 7/8□ | 6.50□ | M08629 |
| B 74388 | 5 | 1 | 3600 | 7/8□ | 6.50□ | L08181 |
| B 66474 | 5 | 3 | 3600 | 7/8□ | 6.50□ | M08629 |
| B 74389 | 5 | 3 | 3600 | 7/8□ | 6.50□ | L08181 |



| Item No. | Part Description | Part Number |
|----------|---------------------------------|--------------|
| 1 | Case, Volute | L01018 |
| 2 | Impeller | See Table I |
| 14 | Sleeve, Shaft (See Note 2) | S19310L |
| 26 | Screw, Impeller 3/8 - 16 x 1□ | S23566 |
| 32 | Key, 3/16 x 1-1/4□(See Note 1) | S34383 |
| 69 | Washer, Impeller | S16239 |
| 71 | Bracket | See Table II |
| 73 | Gasket, Case | S04757 |
| 89 | Seal, Mechanical Shaft | S32014 |
| 800A | Capscrew, 1/2 - 13 x 1□(4 Req.) | S26912 |
| 800B | Capscrew, 3/8 - 16 x 1□(4 Req.) | S26826 |
| 810 | Pipe Plug, 1/4 NPT (5 Req.) | S23715 |
| 815 | Ring, Seal Retaining | S11207 |

TABLE II

| HP | PH | Bracket No. | "AK" Fit | "U" Dim. | Motor Frame |
|----|----|-------------|----------|----------|-------------|
| 3 | 1 | L05329 | 4-1/2□ | 7/8□ | 182JM |
| 3 | 3 | L05329 | 4-1/2□ | 7/8□ | 145JM |
| 5 | 1 | L05329 | 4-1/2□ | 7/8□ | 184JM |
| 5 | 3 | L05329 | 4-1/2□ | 7/8□ | 182JM |

NOTE 1: For an explanation of the tabulated material found on this page and for impeller key location, refer to *Supplement A* located at the beginning of this section.

NOTE 2: Sleeve replacement kit available. Berkeley part number B85681 includes the shaft sleeve, adhesive compound and instruction sheet.



TYPE "B" SINGLE STAGE CENTRIFUGAL PUMP Electric Motor Drive

| | |
|----------------|-------------------|
| Section | CC |
| Page | 20.5 |
| Date | September 1, 1997 |
| Supersedes/New | |

SILICON BRONZE IMPELLER

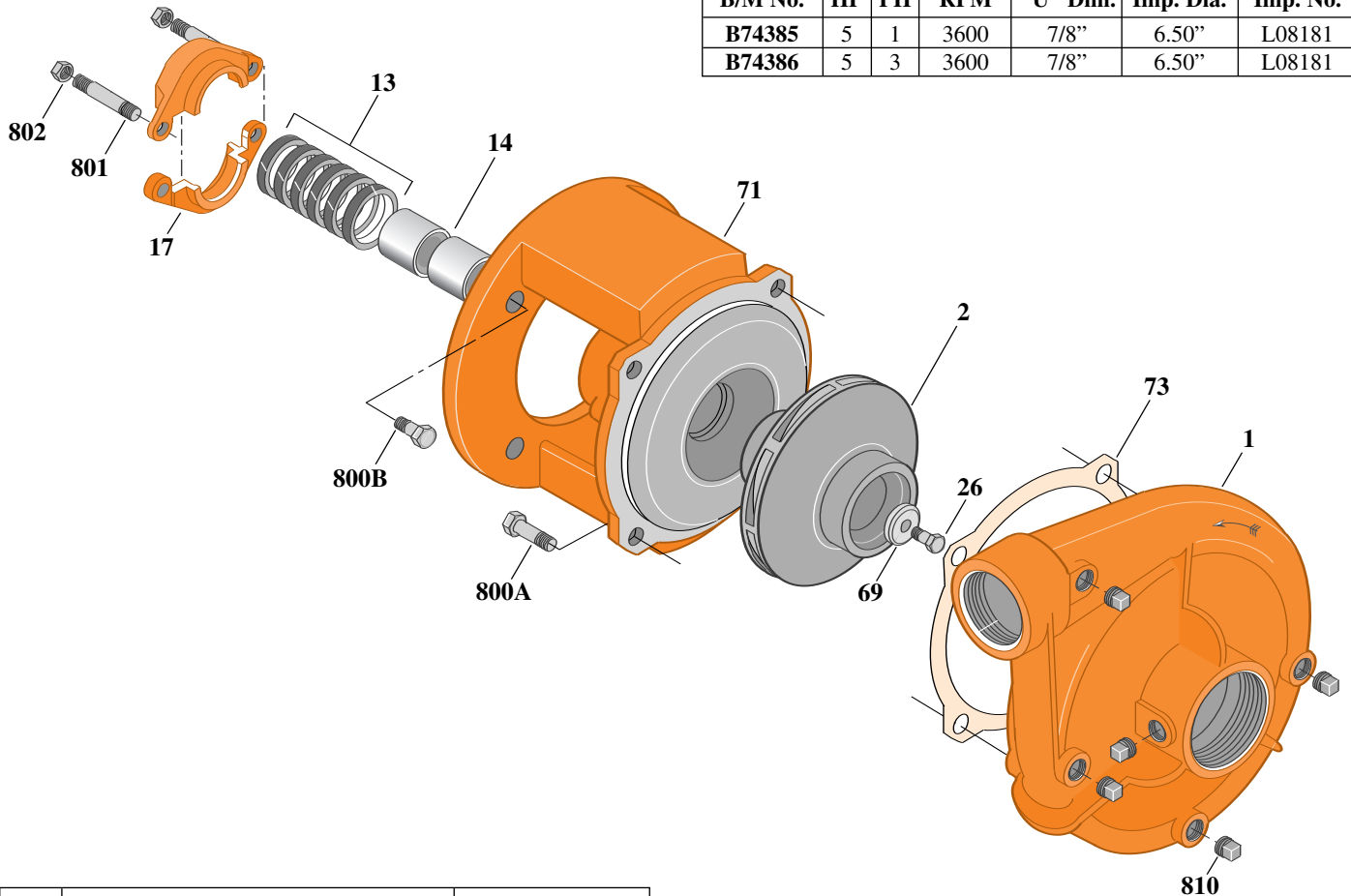
B1-1/2TPL

Threaded Case (NPT)

Packing Construction

TABLE I

| B/M No. | HP | PH | RPM | "U" Dim. | Imp. Dia. | Imp. No. |
|---------|----|----|------|----------|-----------|----------|
| B74385 | 5 | 1 | 3600 | 7/8" | 6.50" | L08181 |
| B74386 | 5 | 3 | 3600 | 7/8" | 6.50" | L08181 |



1718 0495

| Item No. | Part Description | Part Number |
|----------|------------------------------------|--------------|
| 1 | Case, Volute | L01018 |
| 2 | Impeller | See Table I |
| 13 | Rings, Packing (Set of 6) | S13469 |
| 14 | Sleeve, Shaft (2 Req.) | S00619 |
| 17 | Gland, Packing | S00393 |
| 26 | Screw, Impeller 3/8 - 16 x 1" | S23566 |
| 32 | Key, 3/16 x 1-1/4" (See Note) | S34383 |
| 69 | Washer, Impeller | S16239 |
| 71 | Bracket | See Table II |
| 73 | Gasket, Volute | S04757 |
| 800A | Capscrew, 1/2 - 13 x 1" (4 Req.) | S26912 |
| 800B | Capscrew, 3/8 - 16 x 7/8" (4 Req.) | S26825 |
| 801 | Stud, 3/8 - 16 x 4" (2 Req.) | S08303 |
| 802 | Nut, Hex 3/8 - 16 (2 Req.) | S23343 |
| 810 | Plug, Pipe 1/4" NPT (5 Req.) | S23715 |

TABLE II

| HP | PH | Bracket No. | "AK" Fit | "U" Dim. | Motor Frame |
|----|----|-------------|----------|----------|-------------|
| 5 | 1 | L01525 | 4-1/2" | 7/8" | 184JP |
| 5 | 3 | L01525 | 4-1/2" | 7/8" | 182JP |

NOTE: For an explanation of the tabulated material found on this page and for impeller key location, refer to *Supplement A* located at the beginning of this section.



TYPE "B" SINGLE STAGE CENTRIFUGAL PUMP Electric Motor Drive

| | |
|----------------|-------------------|
| Section | CC |
| Page | 20.6 |
| Date | September 1, 1997 |
| Supersedes/New | |

SILICON BRONZE IMPELLER

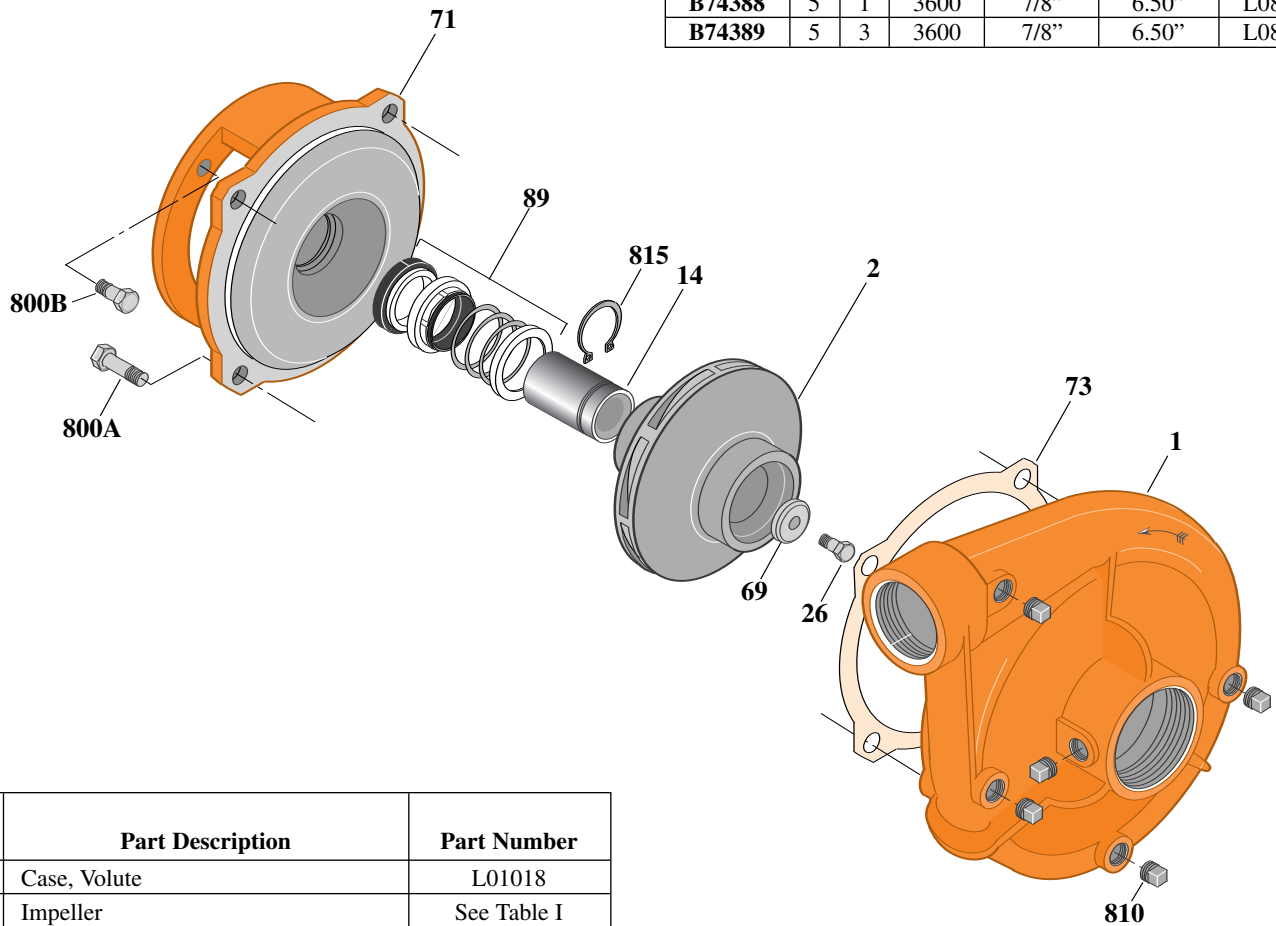
B1-1/2TPLS

Threaded Case (NPT)

Mechanical Shaft Seal Construction

TABLE I

| B/M No. | HP | PH | RPM | "U" Dim. | Imp. Dia. | Imp. No. |
|---------------|----|----|------|----------|-----------|----------|
| B74388 | 5 | 1 | 3600 | 7/8" | 6.50" | L08181 |
| B74389 | 5 | 3 | 3600 | 7/8" | 6.50" | L08181 |



| Item No. | Part Description | Part Number |
|----------|----------------------------------|--------------|
| 1 | Case, Volute | L01018 |
| 2 | Impeller | See Table I |
| 14 | Sleeve, Shaft | S19310 |
| 26 | Screw, Impeller 3/8 - 16 x 1" | S23566 |
| 32 | Key, 3/16 x 1-1/4" (See Note) | S34383 |
| 69 | Washer, Impeller | S16239 |
| 71 | Bracket | See Table II |
| 73 | Gasket, Case | S04757 |
| 89 | Seal, Mechanical Shaft | S32014 |
| 800A | Capscrew, 1/2 - 13 x 1" (4 Req.) | S26912 |
| 800B | Capscrew, 3/8 - 16 x 1" (4 Req.) | S26826 |
| 810 | Pipe Plug, 1/4" NPT (5 Req.) | S23715 |
| 815 | Ring, Seal Retaining | S11207 |
| • | Plug, Pipe 1/8" NPT (In Bracket) | S23714 |

TABLE II

| HP | PH | Bracket No. | "AK" Fit | "U" Dim. | Motor Frame |
|----|----|-------------|----------|----------|-------------|
| 5 | 1 | L05329 | 4-1/2" | 7/8" | 184JM |
| 5 | 3 | L05329 | 4-1/2" | 7/8" | 182JM |

NOTE: For an explanation of the tabulated material found on this page and for impeller key location, refer to *Supplement A* located at the beginning of this section.

NOTE: For seal flush line details, see *Supplement D*.

• Not illustrated.



TYPE "B" SINGLE STAGE CENTRIFUGAL PUMP Electric Motor Drive

| | |
|-------------------|-----------------|
| Section | CC |
| Page | 30.1 |
| Date | January 1, 2004 |
| Supersedes 6/1/95 | |

CAST IRON IMPELLER

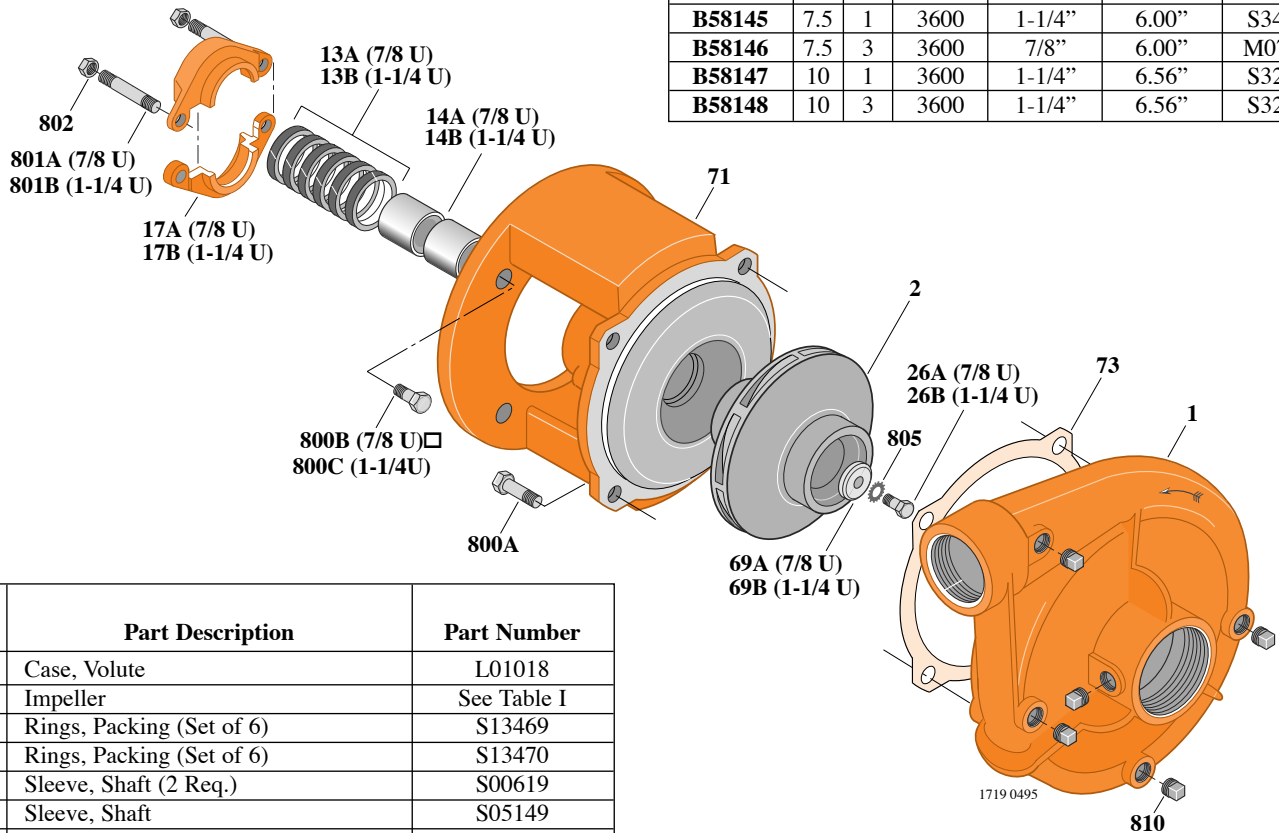
B1-1/2TPM

Threaded Case (NPT)

Packing Construction

TABLE I

| B/M No. | HP | PH | RPM | "U" Dim. | Imp. Dia. | Imp. No. |
|---------------|-----|----|------|----------|-----------|----------|
| B58143 | 5 | 1 | 3600 | 7/8" | 5.50" | M07637 |
| B58144 | 5 | 3 | 3600 | 7/8" | 5.50" | M07637 |
| B58145 | 7.5 | 1 | 3600 | 1-1/4" | 6.00" | S34238 |
| B58146 | 7.5 | 3 | 3600 | 7/8" | 6.00" | M07638 |
| B58147 | 10 | 1 | 3600 | 1-1/4" | 6.56" | S32401 |
| B58148 | 10 | 3 | 3600 | 1-1/4" | 6.56" | S32401 |



| Item No. | Part Description | Part Number |
|----------|------------------------------------|--------------|
| 1 | Case, Volute | L01018 |
| 2 | Impeller | See Table I |
| 13A | Rings, Packing (Set of 6) | S13469 |
| 13B | Rings, Packing (Set of 6) | S13470 |
| 14A | Sleeve, Shaft (2 Req.) | S00619 |
| 14B | Sleeve, Shaft | S05149 |
| 17A | Gland, Packing | B82469 |
| 17B | Gland, Packing | B82470 |
| 26A | Screw, Impeller, 3/8 - 16 x 1" | S23566 |
| 26B | Screw, Impeller 1/2 - 13 x 1" | S23619 |
| 32A | Key, 3/16 x 1-1/4" (See Note) | S34383 |
| 32B | Key, 1/4 x 2-1/4" (See Note) | S23677 |
| 69A | Washer, Impeller | S16239 |
| 69B | Washer, Impeller | S06317 |
| 71 | Bracket | See Table II |
| 73 | Gasket, Volute | S04757 |
| 800A | Capscrew, 1/2 - 13 x 1" (4 Req.) | S26912 |
| 800B | Capscrew, 1/2 - 13 x 1" (8 Req.) | S26912 |
| 800C | Capscrew, 3/8 - 16 x 7/8" (4 Req.) | S26825 |
| 801A | Stud, 3/8 - 16 x 4" (2 Req.) | S08303 |
| 801B | Stud, 3/8 - 16 x 3-1/2" (2 Req.) | S04441 |
| 802 | Nut, Hex 3/8 - 16 (2 Req.) | S23343 |
| 805 | Washer, Lock | S23038 |
| 810 | Plug, Pipe 1/4 NPT (5 Req.) | S23715 |

TABLE II

| HP | PH | Bracket No. | "AK" Fit | "U" Dim. | Motor Frame |
|-----|----|-------------|----------|----------|-------------|
| 5 | 1 | L01525 | 4-1/2" | 7/8" | 184JP |
| 5 | 3 | L01525 | 4-1/2" | 7/8" | 182JP |
| 7.5 | 1 | L01951 | 8-1/2" | 1-1/4" | 213JP |
| 7.5 | 3 | L01525 | 4-1/2" | 7/8" | 184JP |
| 10 | 1 | L01951 | 8-1/2" | 1-1/4" | 215JP |
| 10 | 3 | L01951 | 8-1/2" | 1-1/4" | 213JP |

NOTE: For an explanation of the tabulated material found on this page and for impeller key location, refer to *Supplement A* located at the beginning of this section.



TYPE "B" SINGLE STAGE CENTRIFUGAL PUMP Electric Motor Drive

| | |
|-------------------|--------------|
| Section | CC |
| Page | 30.2 |
| Date | May 15, 2009 |
| Supersedes 1/1/04 | |

CAST IRON IMPELLER

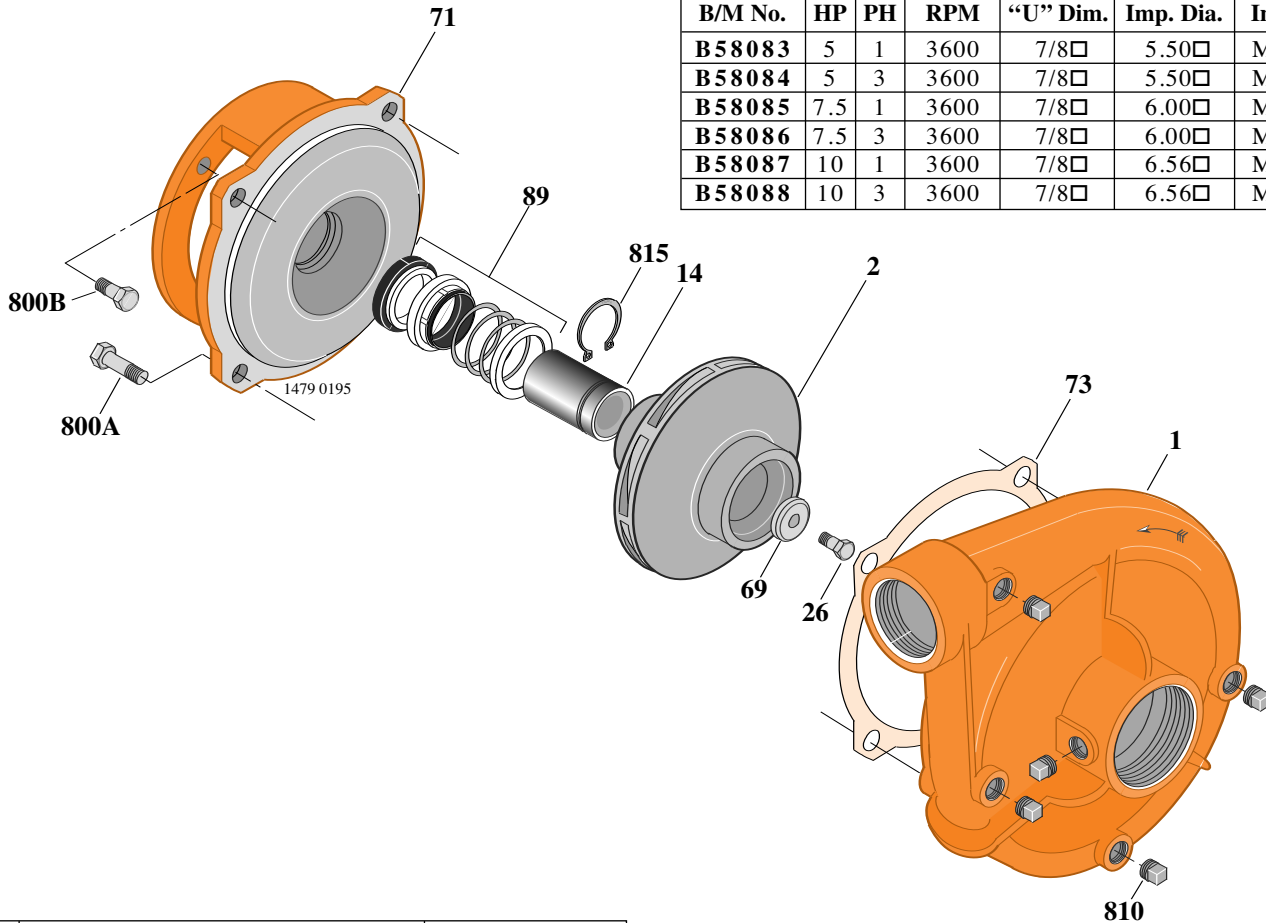
B1-1/2TPMS

Threaded Case (NPT)

Mechanical Shaft Seal Construction

TABLE I

| B/M No. | HP | PH | RPM | "U" Dim. | Imp. Dia. | Imp. No. |
|---------------|-----|----|------|----------|-----------|----------|
| B58083 | 5 | 1 | 3600 | 7/8□ | 5.50□ | M07637 |
| B58084 | 5 | 3 | 3600 | 7/8□ | 5.50□ | M07637 |
| B58085 | 7.5 | 1 | 3600 | 7/8□ | 6.00□ | M07638 |
| B58086 | 7.5 | 3 | 3600 | 7/8□ | 6.00□ | M07638 |
| B58087 | 10 | 1 | 3600 | 7/8□ | 6.56□ | M07298 |
| B58088 | 10 | 3 | 3600 | 7/8□ | 6.56□ | M07298 |



| Item No. | Part Description | Part Number |
|----------|---------------------------------|--------------|
| 1 | Case, Volute | L01018 |
| 2 | Impeller | See Table I |
| 14 | Sleeve, Shaft (See Note 2) | S19310L |
| 26 | Screw, Impeller 3/8 - 16 x 1□ | S23566 |
| 32 | Key, 3/16 x 1-1/4□(See Note 1) | S34383 |
| 69 | Washer, Impeller | S16239 |
| 71 | Bracket | See Table II |
| 73 | Gasket, Volute | S04757 |
| 89 | Seal, Mechanical Shaft | S32014 |
| 800A | Capscrew, 1/2 - 13 x 1□(8 Req.) | S26912 |
| 800B | Capscrew, 3/8 - 16 x 1□(4 Req.) | S26826 |
| 810 | Plug, Pipe 1/4 NPT (5 Req.) | S23715 |
| 815 | Ring, Retaining | S11207 |

TABLE II

| HP | PH | Bracket No. | "AK" Fit | "U" Dim. | Motor Frame |
|-----|----|-------------|----------|----------|-------------|
| 5 | 1 | L05329 | 4-1/2□ | 7/8□ | 184JM |
| 5 | 3 | L05329 | 4-1/2□ | 7/8□ | 182JM |
| 7.5 | 1 | L05328 | 8-1/2□ | 7/8□ | 213JM |
| 7.5 | 3 | L05329 | 4-1/2□ | 7/8□ | 184JM |
| 10 | 1 | L05328 | 8-1/2□ | 7/8□ | 215JM |
| 10 | 3 | L05328 | 8-1/2□ | 7/8□ | 213JM |

NOTE 1: For an explanation of the tabulated material found on this page and for impeller key location, refer to *Supplement A* located at the beginning of this section.

NOTE 2: Sleeve replacement kit available. Berkeley part number B85681 includes the shaft sleeve, adhesive compound and instruction sheet.



TYPE "B" SINGLE STAGE CENTRIFUGAL PUMP Electric Motor Drive

| | |
|-------------------|-----------------|
| Section | CC |
| Page | 30.3 |
| Date | January 1, 2004 |
| Supersedes 6/1/95 | |

BRONZE IMPELLER

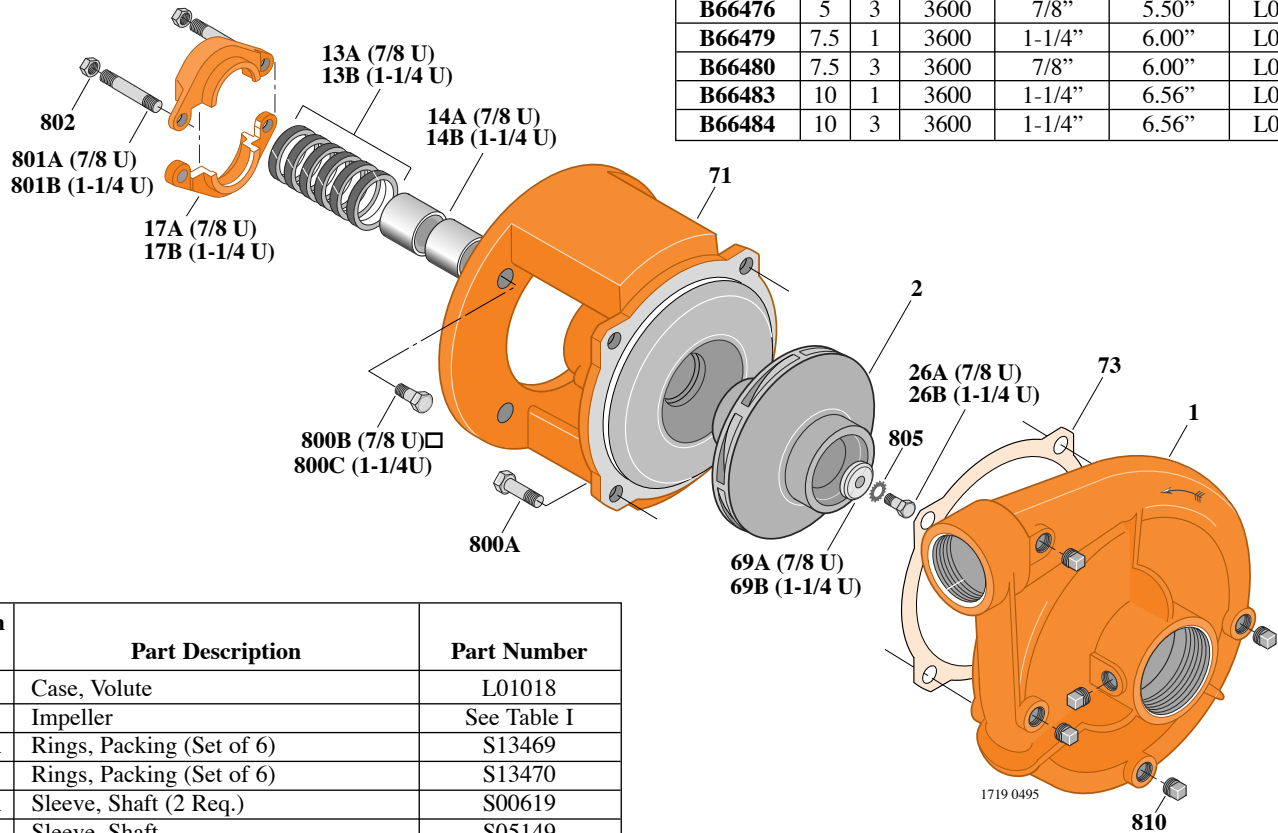
B1-1/2TPM

Threaded Case (NPT)

Packing Construction

TABLE I

| B/M No. | HP | PH | RPM | "U" Dim. | Imp. Dia. | Imp. No. |
|---------------|-----|----|------|----------|-----------|----------|
| B66475 | 5 | 1 | 3600 | 7/8" | 5.50" | L08179 |
| B66476 | 5 | 3 | 3600 | 7/8" | 5.50" | L08179 |
| B66479 | 7.5 | 1 | 3600 | 1-1/4" | 6.00" | L08151 |
| B66480 | 7.5 | 3 | 3600 | 7/8" | 6.00" | L08177 |
| B66483 | 10 | 1 | 3600 | 1-1/4" | 6.56" | L08150 |
| B66484 | 10 | 3 | 3600 | 1-1/4" | 6.56" | L08150 |



| Item No. | Part Description | Part Number |
|----------|------------------------------------|--------------|
| 1 | Case, Volute | L01018 |
| 2 | Impeller | See Table I |
| 13A | Rings, Packing (Set of 6) | S13469 |
| 13B | Rings, Packing (Set of 6) | S13470 |
| 14A | Sleeve, Shaft (2 Req.) | S00619 |
| 14B | Sleeve, Shaft | S05149 |
| 17A | Gland, Packing | B82469 |
| 17B | Gland, Packing | B82470 |
| 26A | Screw, Impeller, 3/8 - 16 x 1" | S23566 |
| 26B | Screw, Impeller 1/2 - 13 x 1" | S23619 |
| 32A | Key, 3/16 x 1-1/4" (See Note) | S34383 |
| 32B | Key, 1/4 x 2-1/4" (See Note) | S23677 |
| 69A | Washer, Impeller | S16239 |
| 69B | Washer, Impeller | S06317 |
| 71 | Bracket | See Table II |
| 73 | Gasket, Volute | S04757 |
| 800A | Capscrew, 1/2 - 13 x 1" (4 Req.) | S26912 |
| 800B | Capscrew, 1/2 - 13 x 1" (8 Req.) | S26912 |
| 800C | Capscrew, 3/8 - 16 x 7/8" (4 Req.) | S26825 |
| 801A | Stud, 3/8 - 16 x 4" (2 Req.) | S08303 |
| 801B | Stud, 3/8 - 16 x 3-1/2" (2 Req.) | S04441 |
| 802 | Nut, Hex 3/8 - 16 (2 Req.) | S23343 |
| 805 | Washer, Lock | S23038 |
| 810 | Plug, Pipe 1/4 NPT (5 Req.) | S23715 |

TABLE II

| HP | PH | Bracket No. | "AK" Fit | "U" Dim. | Motor Frame |
|-----|----|-------------|----------|----------|-------------|
| 5 | 1 | L01525 | 4-1/2" | 7/8" | 184JP |
| 5 | 3 | L01525 | 4-1/2" | 7/8" | 182JP |
| 7.5 | 1 | L01951 | 8-1/2" | 1-1/4" | 213JP |
| 7.5 | 3 | L01525 | 4-1/2" | 7/8" | 184JP |
| 10 | 1 | L01951 | 8-1/2" | 1-1/4" | 215JP |
| 10 | 3 | L01951 | 8-1/2" | 1-1/4" | 213JP |

NOTE: For an explanation of the tabulated material found on this page and for impeller key location, refer to *Supplement A* located at the beginning of this section.



TYPE "B" SINGLE STAGE CENTRIFUGAL PUMP Electric Motor Drive

| | |
|-------------------|-----------------|
| Section | CC |
| Page | 30.4 |
| Date | January 1, 2004 |
| Supersedes 6/1/95 | |

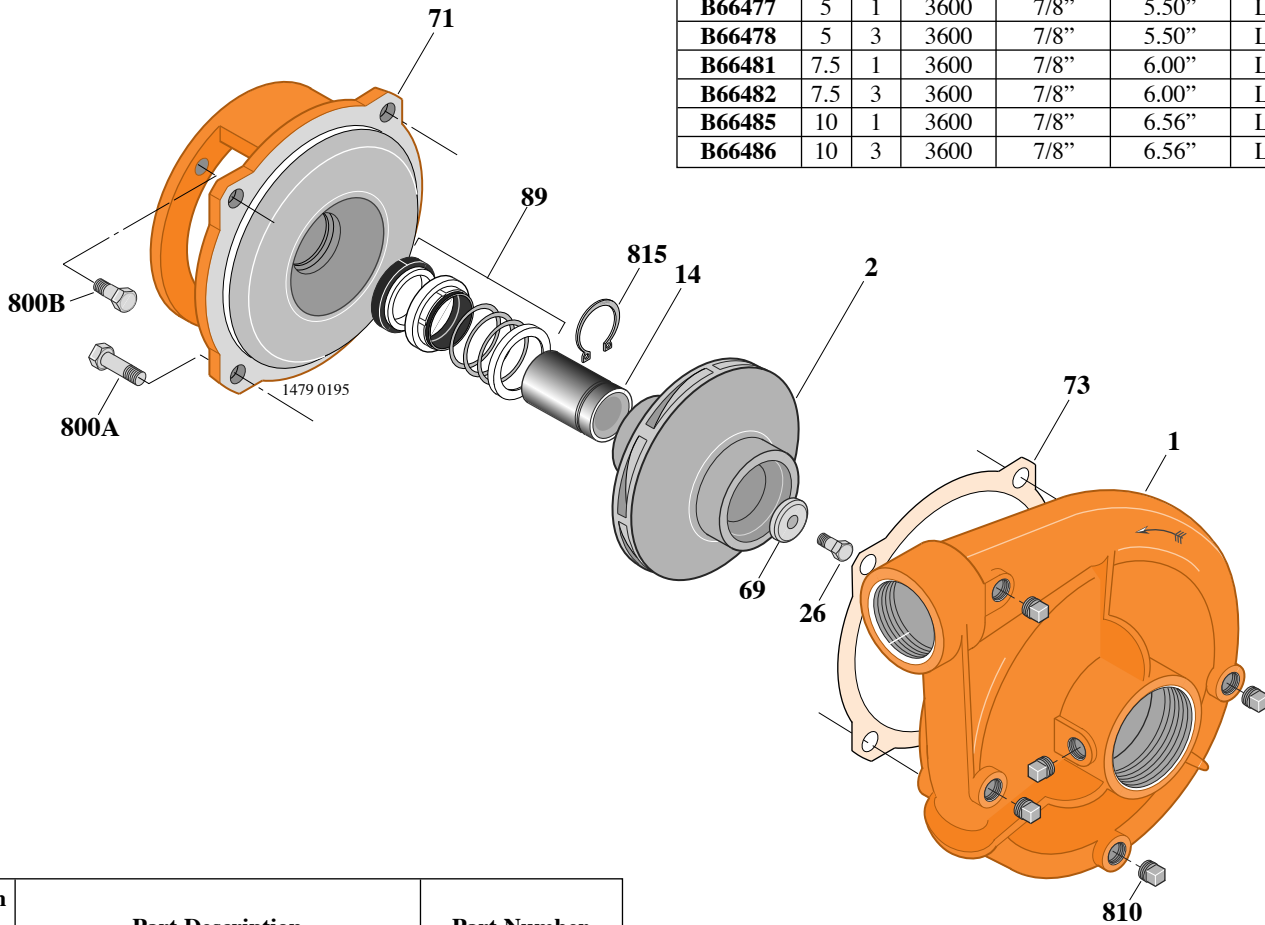
BRONZE IMPELLER B1-1/2TPMS

Threaded Case (NPT)

Mechanical Shaft Seal Construction

TABLE I

| B/M No. | HP | PH | RPM | "U" Dim. | Imp. Dia. | Imp. No. |
|---------------|-----|----|------|----------|-----------|----------|
| B66477 | 5 | 1 | 3600 | 7/8" | 5.50" | L08179 |
| B66478 | 5 | 3 | 3600 | 7/8" | 5.50" | L08179 |
| B66481 | 7.5 | 1 | 3600 | 7/8" | 6.00" | L08177 |
| B66482 | 7.5 | 3 | 3600 | 7/8" | 6.00" | L08177 |
| B66485 | 10 | 1 | 3600 | 7/8" | 6.56" | L08176 |
| B66486 | 10 | 3 | 3600 | 7/8" | 6.56" | L08176 |



| Item No. | Part Description | Part Number |
|----------|----------------------------------|--------------|
| 1 | Case, Volute | L01018 |
| 2 | Impeller | See Table I |
| 14 | Sleeve, Shaft | S19310 |
| 26 | Screw, Impeller 3/8 - 16 x 1" | S23566 |
| 32 | Key, 3/16 x 1-1/4" (See Note) | S34383 |
| 69 | Washer, Impeller | S16239 |
| 71 | Bracket | See Table II |
| 73 | Gasket, Volute | S04757 |
| 89 | Seal, Mechanical Shaft | S32014 |
| 800A | Capscrew, 1/2 - 13 x 1" (8 Req.) | S26912 |
| 800B | Capscrew, 3/8 - 16 x 1" (4 Req.) | S26826 |
| 810 | Plug, Pipe 1/4 NPT (5 Req.) | S23715 |
| 815 | Ring, Retaining | S11207 |

TABLE II

| HP | PH | Bracket No. | "AK" Fit | "U" Dim. | Motor Frame |
|-----|----|-------------|----------|----------|-------------|
| 5 | 1 | L05329 | 4-1/2" | 7/8" | 184JM |
| 5 | 3 | L05329 | 4-1/2" | 7/8" | 182JM |
| 7.5 | 1 | L05328 | 8-1/2" | 7/8" | 213JM |
| 7.5 | 3 | L05329 | 4-1/2" | 7/8" | 184JM |
| 10 | 1 | L05328 | 8-1/2" | 7/8" | 215JM |
| 10 | 3 | L05328 | 8-1/2" | 7/8" | 213JM |

NOTE: For an explanation of the tabulated material found on this page and for impeller key location, refer to *Supplement A* located at the beginning of this section.



TYPE "B" SINGLE STAGE CENTRIFUGAL PUMP Electric Motor Drive

| | |
|-------------------|-----------------|
| Section | CC |
| Page | 30.5 |
| Date | January 1, 2004 |
| Supersedes 9/1/97 | |

SILICON BRONZE IMPELLER

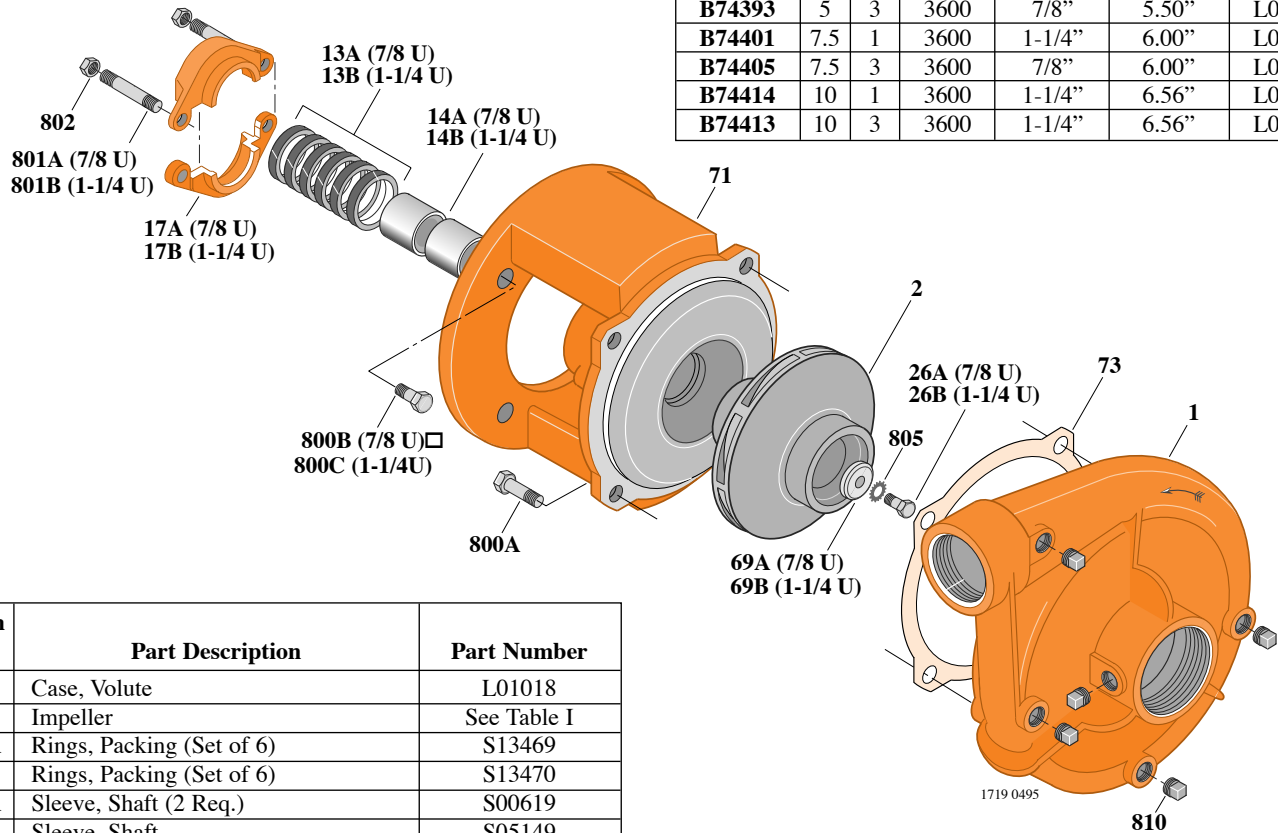
B1-1/2TPM

Threaded Case (NPT)

Packing Construction

TABLE I

| B/M No. | HP | PH | RPM | "U" Dim. | Imp. Dia. | Imp. No. |
|---------------|-----|----|------|----------|-----------|----------|
| B74394 | 5 | 1 | 3600 | 7/8" | 5.50" | L08179 |
| B74393 | 5 | 3 | 3600 | 7/8" | 5.50" | L08179 |
| B74401 | 7.5 | 1 | 3600 | 1-1/4" | 6.00" | L08151 |
| B74405 | 7.5 | 3 | 3600 | 7/8" | 6.00" | L08177 |
| B74414 | 10 | 1 | 3600 | 1-1/4" | 6.56" | L08150 |
| B74413 | 10 | 3 | 3600 | 1-1/4" | 6.56" | L08150 |



| Item No. | Part Description | Part Number |
|----------|------------------------------------|--------------|
| 1 | Case, Volute | L01018 |
| 2 | Impeller | See Table I |
| 13A | Rings, Packing (Set of 6) | S13469 |
| 13B | Rings, Packing (Set of 6) | S13470 |
| 14A | Sleeve, Shaft (2 Req.) | S00619 |
| 14B | Sleeve, Shaft | S05149 |
| 17A | Gland, Packing | B82469 |
| 17B | Gland, Packing | B82470 |
| 26A | Screw, Impeller, 3/8 - 16 x 1" | S23566 |
| 26B | Screw, Impeller 1/2 - 13 x 1" | S23619 |
| 32A | Key, 3/16 x 1-1/4" (See Note) | S34383 |
| 32B | Key, 1/4 x 2-1/4" (See Note) | S23677 |
| 69A | Washer, Impeller | S16239 |
| 69B | Washer, Impeller | S06317 |
| 71 | Bracket | See Table II |
| 73 | Gasket, Volute | S04757 |
| 800A | Capscrew, 1/2 - 13 x 1" (4 Req.) | S26912 |
| 800B | Capscrew, 3/8 - 16 x 7/8" (4 Req.) | S26825 |
| 800C | Capscrew, 1/2 - 13 x 1" (4 Req.) | S26912 |
| 801A | Stud, 3/8 - 16 x 4" (2 Req.) | S08303 |
| 801B | Stud, 3/8 - 16 x 3-1/2" (2 Req.) | S04441 |
| 802 | Nut, Hex 3/8 - 16 (2 Req.) | S23343 |
| 805 | Washer, Lock | S23038 |
| 810 | Plug, Pipe 1/4" NPT (5 Req.) | S23715 |

TABLE II

| HP | PH | Bracket No. | "AK" Fit | "U" Dim. | Motor Frame |
|-----|----|-------------|----------|----------|-------------|
| 5 | 1 | L01525 | 4-1/2" | 7/8" | 184JP |
| 5 | 3 | L01525 | 4-1/2" | 7/8" | 182JP |
| 7.5 | 1 | L01951 | 8-1/2" | 1-1/4" | 213JP |
| 7.5 | 3 | L01525 | 4-1/2" | 7/8" | 184JP |
| 10 | 1 | L01951 | 8-1/2" | 1-1/4" | 215JP |
| 10 | 3 | L01951 | 8-1/2" | 1-1/4" | 213JP |

NOTE: For an explanation of the tabulated material found on this page and for impeller key location, refer to *Supplement A* located at the beginning of this section.



TYPE "B" SINGLE STAGE CENTRIFUGAL PUMP Electric Motor Drive

| | |
|-------------------|-----------------|
| Section | CC |
| Page | 30.6 |
| Date | January 1, 2004 |
| Supersedes 9/1/97 | |

SILICON BRONZE IMPELLER

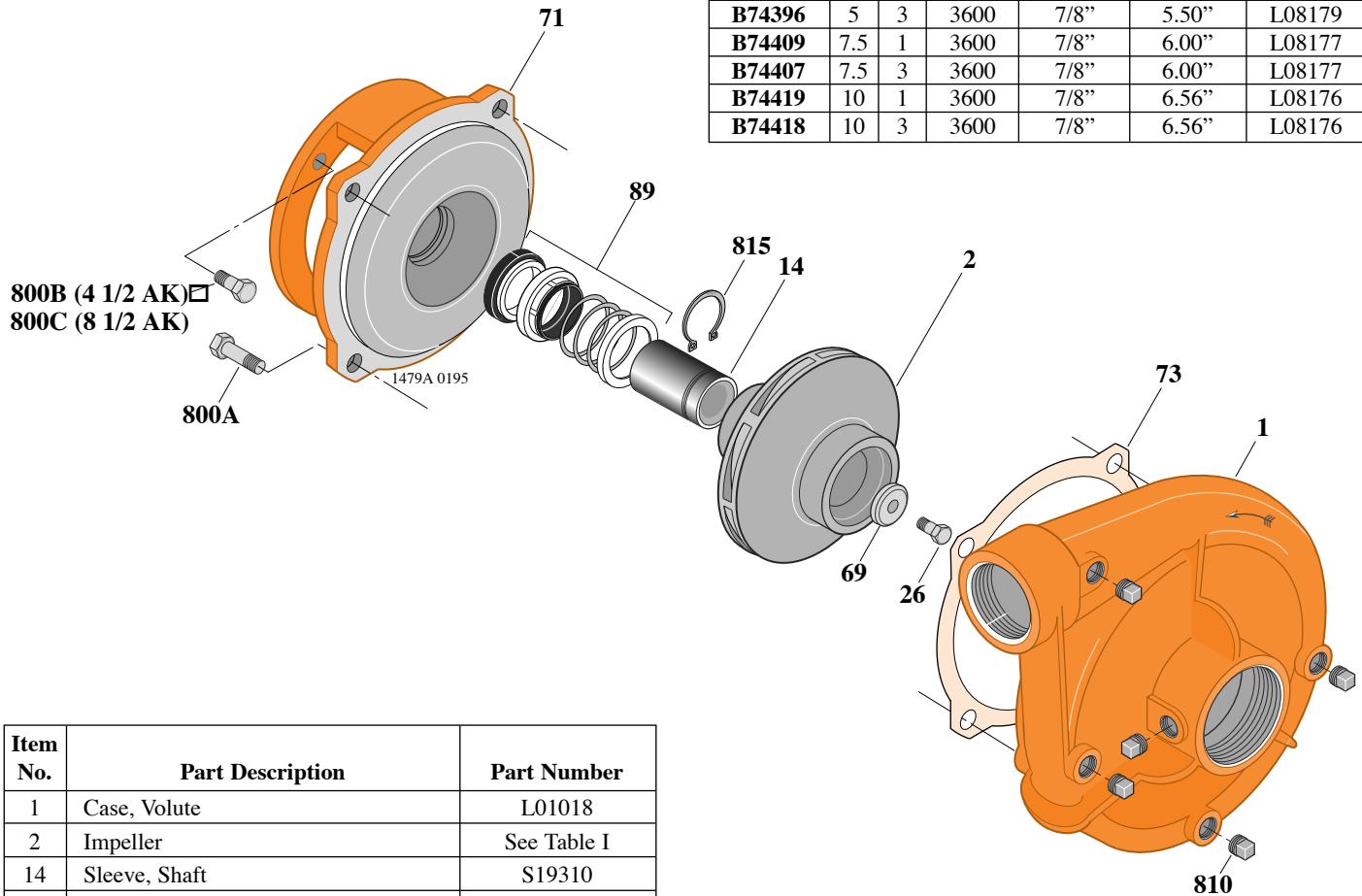
B1-1/2TPMS

Threaded Case (NPT)

Mechanical Shaft Seal Construction

TABLE I

| B/M No. | HP | PH | RPM | "U" Dim. | Imp. Dia. | Imp. No. |
|---------|-----|----|------|----------|-----------|----------|
| B74397 | 5 | 1 | 3600 | 7/8" | 5.50" | L08179 |
| B74396 | 5 | 3 | 3600 | 7/8" | 5.50" | L08179 |
| B74409 | 7.5 | 1 | 3600 | 7/8" | 6.00" | L08177 |
| B74407 | 7.5 | 3 | 3600 | 7/8" | 6.00" | L08177 |
| B74419 | 10 | 1 | 3600 | 7/8" | 6.56" | L08176 |
| B74418 | 10 | 3 | 3600 | 7/8" | 6.56" | L08176 |



| Item No. | Part Description | Part Number |
|----------|----------------------------------|--------------|
| 1 | Case, Volute | L01018 |
| 2 | Impeller | See Table I |
| 14 | Sleeve, Shaft | S19310 |
| 26 | Screw, Impeller 3/8 - 16 x 1" | S23566 |
| 32 | Key, 3/16 x 1-1/4" (See Note) | S34383 |
| 69 | Washer, Impeller | S16239 |
| 71 | Bracket | See Table II |
| 73 | Gasket, Volute | S04757 |
| 89 | Seal, Mechanical Shaft | S32014 |
| 800A | Capscrew, 1/2 - 13 x 1" (4 Req.) | S26912 |
| 800B | Capscrew, 3/8 - 16 x 1" (4 Req.) | S26826 |
| 800C | Capscrew, 1/2 - 13 x 1" (4 Req.) | S26912 |
| 810 | Plug, Pipe 1/4" NPT (5 Req.) | S23715 |
| 815 | Ring, Retaining | S11207 |
| • | Plug, Pipe 1/8" NPT (In Bracket) | S23714 |

• Not illustrated.

TABLE II

| HP | PH | Bracket No. | "AK" Fit | "U" Dim. | Motor Frame |
|-----|----|-------------|----------|----------|-------------|
| 5 | 1 | L05329 | 4-1/2" | 7/8" | 184JM |
| 5 | 3 | L05329 | 4-1/2" | 7/8" | 182JM |
| 7.5 | 1 | L05328 | 8-1/2" | 7/8" | 213JM |
| 7.5 | 3 | L05329 | 4-1/2" | 7/8" | 184JM |
| 10 | 1 | L05328 | 8-1/2" | 7/8" | 215JM |
| 10 | 3 | L05328 | 8-1/2" | 7/8" | 213JM |

NOTE: For an explanation of the tabulated material found on this page and for impeller key location, refer to *Supplement A* located at the beginning of this section.

NOTE: For seal flush line details, see *Supplement D*.



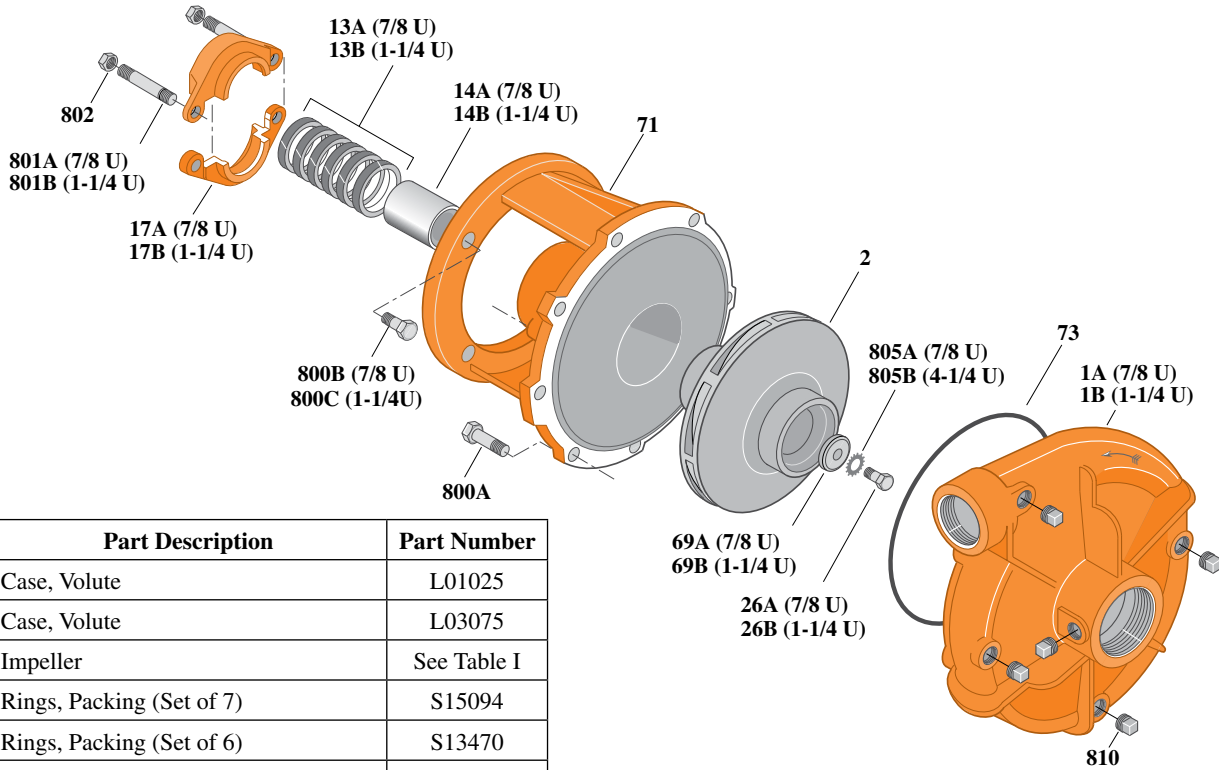
Type "B" Single Stage Centrifugal Pump Electric Motor Drive

| | |
|-------------------|--------------|
| Section | CC |
| Page | 40.1 |
| Date | July 1, 2011 |
| Supersedes 1/1/04 | |

CAST IRON IMPELLERB1-1/2ZPL

Threaded Case (NPT)

Packing Construction



| Item | Part Description | Part Number |
|------|--------------------------------------|--------------|
| 1A | Case, Volute | L01025 |
| 1B | Case, Volute | L03075 |
| 2 | Impeller | See Table I |
| 13A | Rings, Packing (Set of 7) | S15094 |
| 13B | Rings, Packing (Set of 6) | S13470 |
| 14A | Sleeve, Shaft (2 Req.) | S00619L |
| 14B | Sleeve, Shaft | S05149L |
| 17A | Gland, Packing | B82469 |
| 17B | Gland, Packing | B82470 |
| 26A | Screw, Impeller 3/8 - 16 x 1" | S23566 |
| 26B | Screw, Impeller 1/2 - 13 x 1" | S23619 |
| 32A | Key, 3/16 x 1-1/4" (See Note 1) | S34383 |
| 32B | Key, 1/4 x 2/14" (See Note 1) | S23677 |
| 69A | Washer, Impeller | S06314 |
| 69B | Washer, Impeller | S06317 |
| 71 | Bracket | See Table II |
| 73 | O-Ring (See Note 2) | M14943 |
| 800A | Capscrew, 3/8 - 16 x 1" (12 Req.) | S26826 |
| 800B | Capscrew, 3/8 - 16 x 1-1/8" (8 Req.) | S26827 |
| 800C | Capscrew, 1/2 - 13 x 1-1/2" (4 Req.) | S26916 |
| 801A | Stud, 3/8 - 16 x 3" (2 Req.) | S04439 |
| 801B | Stud, 3/8 - 16 x 4" (2 Req.) | S08303 |
| 802 | Nut, Hex 3/8 - 16 (2 Req.) | S23343 |
| 805A | Washer, Lock | S23036 |
| 805B | Washer, Lock | S23038 |
| 810 | Plug, Pipe 1/4 NPT (5 Req.) | S23715 |

Table I

| B/M No. | HP | PH | RPM | "U" Dim. | Imp. Dia. | Imp. No. |
|---------|-----|----|------|----------|-----------|----------|
| B53750 | 7.5 | 1 | 3600 | 1-1/4" | 7.18" | M07692 |
| B53751 | 7.5 | 3 | 3600 | 7/8" | 7.18" | M07693 |
| B55574 | 10 | 1 | 3600 | 1-1/4" | 7.88" | M07691 |
| B53752 | 10 | 3 | 3600 | 1-1/4" | 7.88" | M07691 |
| B53753 | 15 | 3 | 3600 | 1-1/4" | 8.75" | M07690 |

Table II

| HP | PH | Bracket No. | "AK" Fit | "U" Dim. | Motor Frame |
|-----|----|-------------|----------|----------|-------------|
| 7.5 | 1 | L03827 | 8-1/2" | 1-1/4" | 213JP |
| 7.5 | 3 | H00950 | 4-1/2" | 7/8" | 184JP |
| 10 | 1 | L03827 | 8-1/2" | 1-1/4" | 215JP |
| 10 | 3 | L03827 | 8-1/2" | 1-1/4" | 213JP |
| 15 | 3 | L03827 | 8-1/2" | 1-1/4" | 215JP |

NOTE 1: For an explanation of the tabulated material found on this page and for impeller key location, refer to *Supplement A* located at the beginning of this section.

NOTE 2: Also accepts gasket S05126 as replacement for o-ring. See *Supplement E* located at the beginning of this section.



Type "B" Single Stage Centrifugal Pump Electric Motor Drive

| | |
|-------------------|--------------|
| Section | CC |
| Page | 40.2 |
| Date | July 1, 2011 |
| Supersedes 1/1/04 | |

CAST IRON IMPELLERB1-1/2ZPLS

Threaded Case (NPT)

Mechanical Shaft Seal Construction

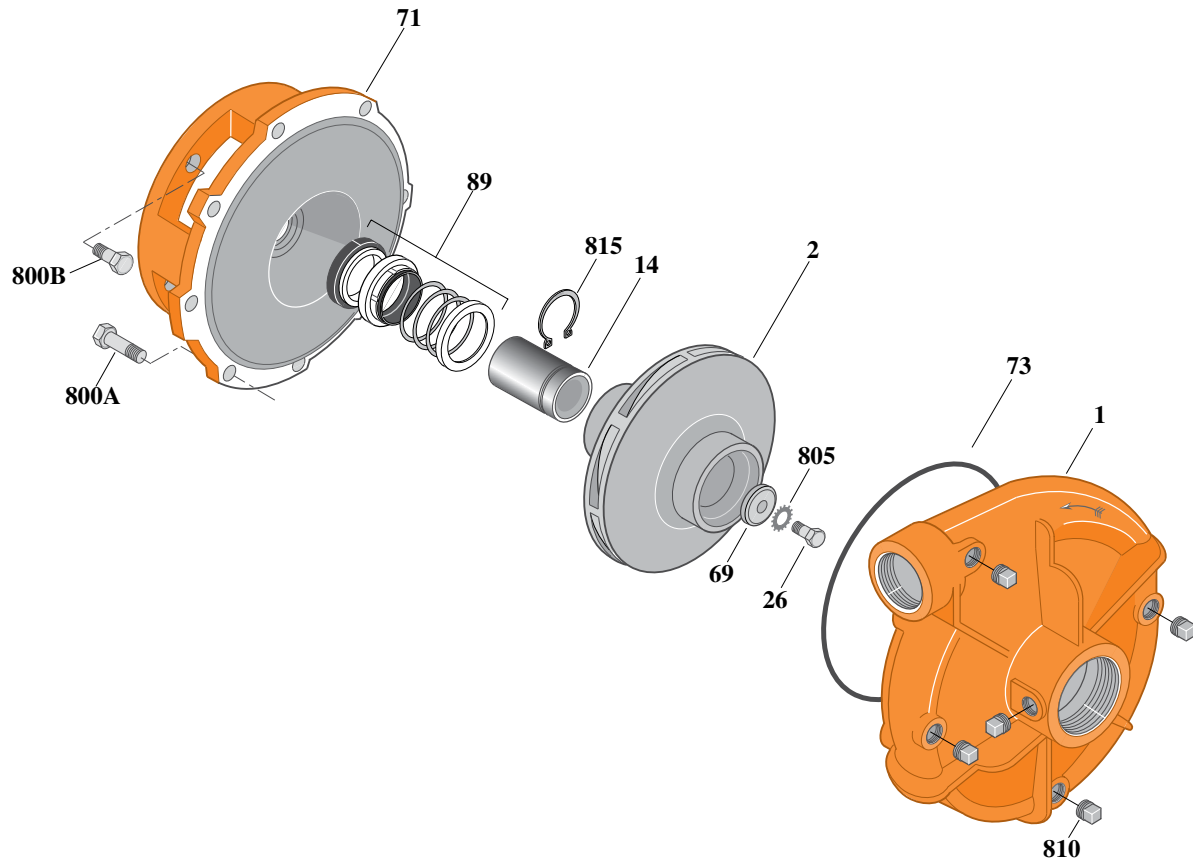


Table I

| B/M No. | HP | PH | RPM | "U" Dim. | Imp. Dia. | Imp. No. |
|---------|-----|----|------|----------|-----------|----------|
| B54499 | 7.5 | 1 | 3600 | 7/8" | 7.18" | M07693 |
| B54500 | 7.5 | 3 | 3600 | 7/8" | 7.18" | M07693 |
| B54646 | 10 | 1 | 3600 | 7/8" | 7.88" | M07758 |
| B54502 | 10 | 3 | 3600 | 7/8" | 7.88" | M07758 |
| B54504 | 15 | 3 | 3600 | 7/8" | 8.75" | M07759 |

Table II

| HP | PH | Bracket No. | "AK" Fit | "U" Dim. | Motor Frame |
|-----|----|-------------|----------|----------|-------------|
| 7.5 | 1 | L05331 | 8-1/2" | 7/8" | 213JM |
| 7.5 | 3 | L05332 | 4-1/2" | 7/8" | 184JM |
| 10 | 1 | L05331 | 8-1/2" | 7/8" | 215JM |
| 10 | 3 | L05331 | 8-1/2" | 7/8" | 213JM |
| 15 | 3 | L05331 | 8-1/2" | 7/8" | 215JM |

| Item | Part Description | Part Number |
|------|----------------------------------|--------------|
| 1 | Case, Volute | L01025 |
| 2 | Impeller | See Table I |
| 14 | Sleeve, Shaft | S19310L |
| 26 | Screw, Impeller 3/8 - 16 x 1" | S23566 |
| 32 | Key, 3/16 x 1-1/4" (See Note 1) | S34383 |
| 69 | Washer, Impeller | S06314 |
| 71 | Bracket | See Table II |
| 73 | O-Ring (See Note 2) | M14943 |
| 89 | Seal, Mechanical Shaft | S32014 |
| 800A | Capscrew, 3/8 - 16 x 1" (8 Req.) | S26826 |
| 800B | Capscrew, 1/2 - 13 x 1" (4 Req.) | S26912 |
| 805 | Washer, Lock | S23036 |
| 810 | Plug, Pipe 1/4 NPT (5 Req.) | S23715 |
| 815 | Ring, Retaining | S11207 |

NOTE 1: For an explanation of the tabulated material found on this page and for impeller key location, refer to *Supplement A* located at the beginning of this section.

NOTE 2: Also accepts gasket S05126 as replacement for o-ring. See *Supplement E* located at the beginning of this section.



Type "B" Single Stage Centrifugal Pump Electric Motor Drive

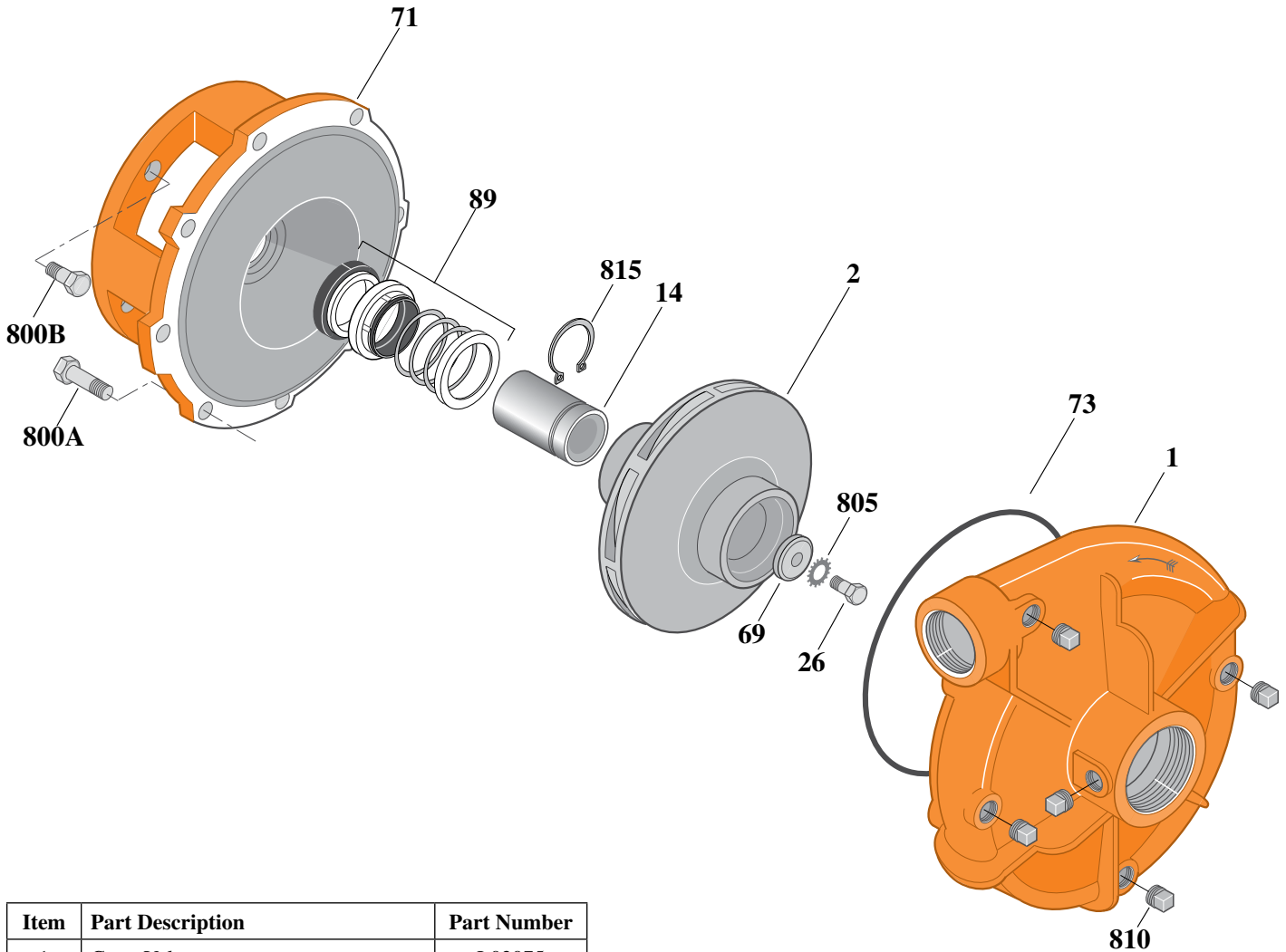
| | |
|-------------------|--------------|
| Section | CC |
| Page | 40.3 |
| Date | July 1, 2011 |
| Supersedes 1/1/04 | |

CAST IRON IMPELLER

B1-1/2ZPLS

Threaded Case (NPT)

Mechanical Shaft Seal Construction



| Item | Part Description | Part Number |
|------|--------------------------------------|--------------|
| 1 | Case, Volute | L03075 |
| 2 | Impeller | See Table I |
| 14 | Sleeve, Shaft | S18869L |
| 26 | Screw, Impeller 1/2 - 13 x 1" | S23619 |
| 32 | Key, 1/4 x 2-1/4" (See Note 1) | S23677 |
| 69 | Washer, Impeller | S06319 |
| 71 | Bracket | See Table II |
| 73 | O-Ring (See Note 2) | M14943 |
| 89 | Seal, Mechanical Shaft | S32015 |
| 800A | Capscrew, 3/8 - 16 x 1-1/8" (8 Req.) | S26827 |
| 800B | Capscrew, 1/2 - 13 x 1" (4 Req.) | S26912 |
| 805 | Washer, Lock | S23038 |
| 810 | Plug, Pipe 1/4 NPT (5 Req.) | S23715 |
| 815 | Ring, Retaining | S16767 |

Table I

| B/M No. | HP | PH | RPM | "U" Dim. | Imp. Dia. | Imp. No. |
|---------|----|----|------|----------|-----------|----------|
| B08607 | 20 | 3 | 3600 | 1-1/4" | 9.00" | M02928 |

Table II

| HP | PH | Bracket No. | "AK" Fit | "U" Dim. | Motor Frame |
|----|----|-------------|----------|----------|-------------|
| 20 | 3 | L04615 | 8-1/2" | 1-1/4" | 254JM |

NOTE 1: For an explanation of the tabulated material found on this page and for impeller key location, refer to *Supplement A* located at the beginning of this section.

NOTE 2: Also accepts gasket S05126 as replacement for o-ring. See *Supplement E* located at the beginning of this section.



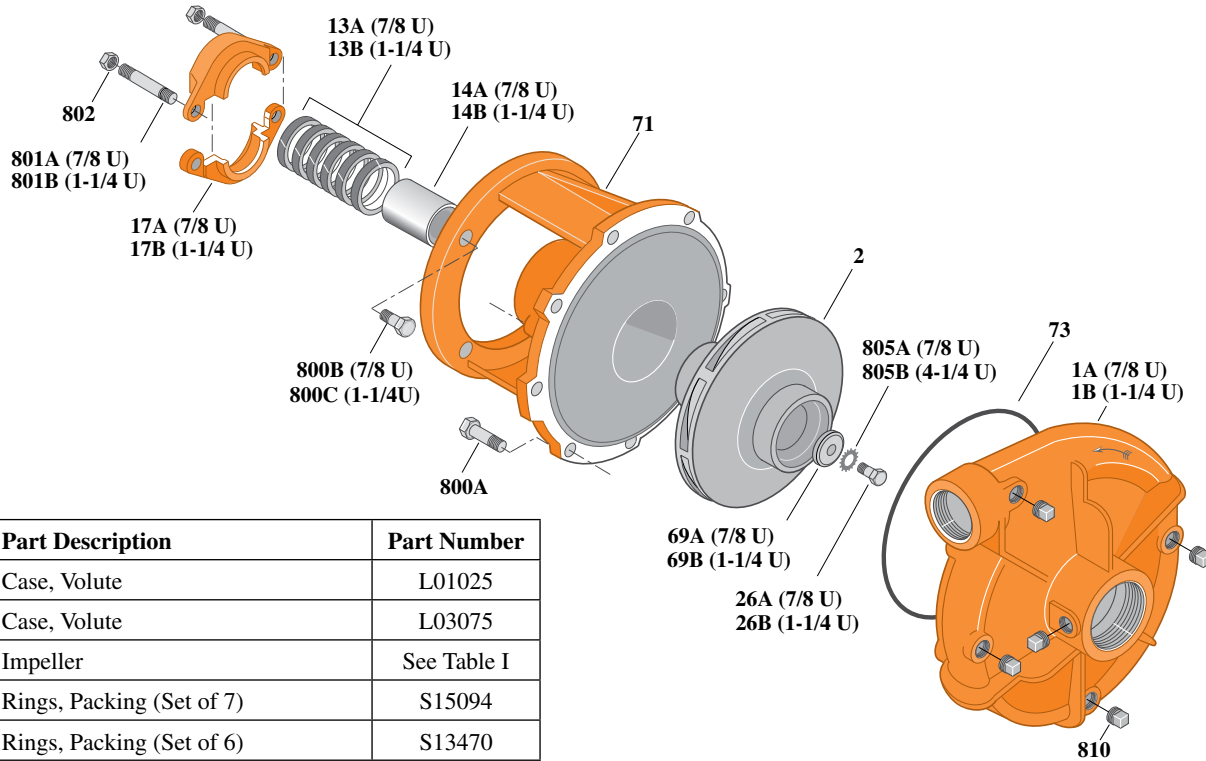
Type "B" Single Stage Centrifugal Pump Electric Motor Drive

| | |
|-------------------|--------------|
| Section | CC |
| Page | 40.4 |
| Date | July 1, 2011 |
| Supersedes 1/1/04 | |

BRONZE IMPELLERB1-1/2ZPL

Threaded Case (NPT)

Packing Construction



| Item | Part Description | Part Number |
|------|--------------------------------------|--------------|
| 1A | Case, Volute | L01025 |
| 1B | Case, Volute | L03075 |
| 2 | Impeller | See Table I |
| 13A | Rings, Packing (Set of 7) | S15094 |
| 13B | Rings, Packing (Set of 6) | S13470 |
| 14A | Sleeve, Shaft (2 Req.) | S00619L |
| 14B | Sleeve, Shaft | S05149L |
| 17A | Gland, Packing | B82469 |
| 17B | Gland, Packing | B82470 |
| 26A | Screw, Impeller 3/8 - 16 x 1" | S23566 |
| 26B | Screw, Impeller 1/2 - 13 x 1" | S23619 |
| 32A | Key, 3/16 x 1-1/4" (See Note 1) | S34383 |
| 32B | Key, 1/4 x 2/14" (See Note 1) | S23677 |
| 69A | Washer, Impeller | S06314 |
| 69B | Washer, Impeller | S06317 |
| 71 | Bracket | See Table II |
| 73 | O-Ring (See Note 2) | M14943 |
| 800A | Capscrew, 3/8 - 16 x 1" (12 Req.) | S26826 |
| 800B | Capscrew, 3/8 - 16 x 1-1/8" (8 Req.) | S26827 |
| 800C | Capscrew, 1/2 - 13 x 1-1/2" (4 Req.) | S26916 |
| 801A | Stud, 3/8 - 16 x 3" (2 Req.) | S04439 |
| 801B | Stud, 3/8 - 16 x 4" (2 Req.) | S08303 |
| 802 | Nut, Hex 3/8 - 16 (2 Req.) | S23343 |
| 805A | Washer, Lock | S23036 |
| 805B | Washer, Lock | S23038 |
| 810 | Plug, Pipe 1/4 NPT (5 Req.) | S23715 |

Table I

| B/M No. | HP | PH | RPM | "U" Dim. | Imp. Dia. | Imp. No. |
|---------|-----|----|------|----------|-----------|----------|
| B66487 | 7.5 | 1 | 3600 | 1-1/4" | 7.18" | L06648 |
| B66488 | 7.5 | 3 | 3600 | 7/8" | 7.18" | L06649 |
| B66491 | 10 | 1 | 3600 | 1-1/4" | 7.88" | L06647 |
| B66492 | 10 | 3 | 3600 | 1-1/4" | 7.88" | L06647 |
| B66493 | 15 | 3 | 3600 | 1-1/4" | 8.75" | L06646 |

Table II

| HP | PH | Bracket No. | "AK" Fit | "U" Dim. | Motor Frame |
|-----|----|-------------|----------|----------|-------------|
| 7.5 | 1 | L03827 | 8-1/2" | 1-1/4" | 213JP |
| 7.5 | 3 | H00950 | 4-1/2" | 7/8" | 184JP |
| 10 | 1 | L03827 | 8-1/2" | 1-1/4" | 215JP |
| 10 | 3 | L03827 | 8-1/2" | 1-1/4" | 213JP |
| 15 | 3 | L03827 | 8-1/2" | 1-1/4" | 215JP |

NOTE 1: For an explanation of the tabulated material found on this page and for impeller key location, refer to *Supplement A* located at the beginning of this section.

NOTE 2: Also accepts gasket S05126 as replacement for o-ring. See *Supplement E* located at the beginning of this section.



Type "B" Single Stage Centrifugal Pump Electric Motor Drive

| | |
|-------------------|--------------|
| Section | CC |
| Page | 40.5 |
| Date | July 1, 2011 |
| Supersedes 1/1/04 | |

BRONZE IMPELLER B1-1/2ZPLS

Threaded Case (NPT)

Mechanical Shaft Seal Construction

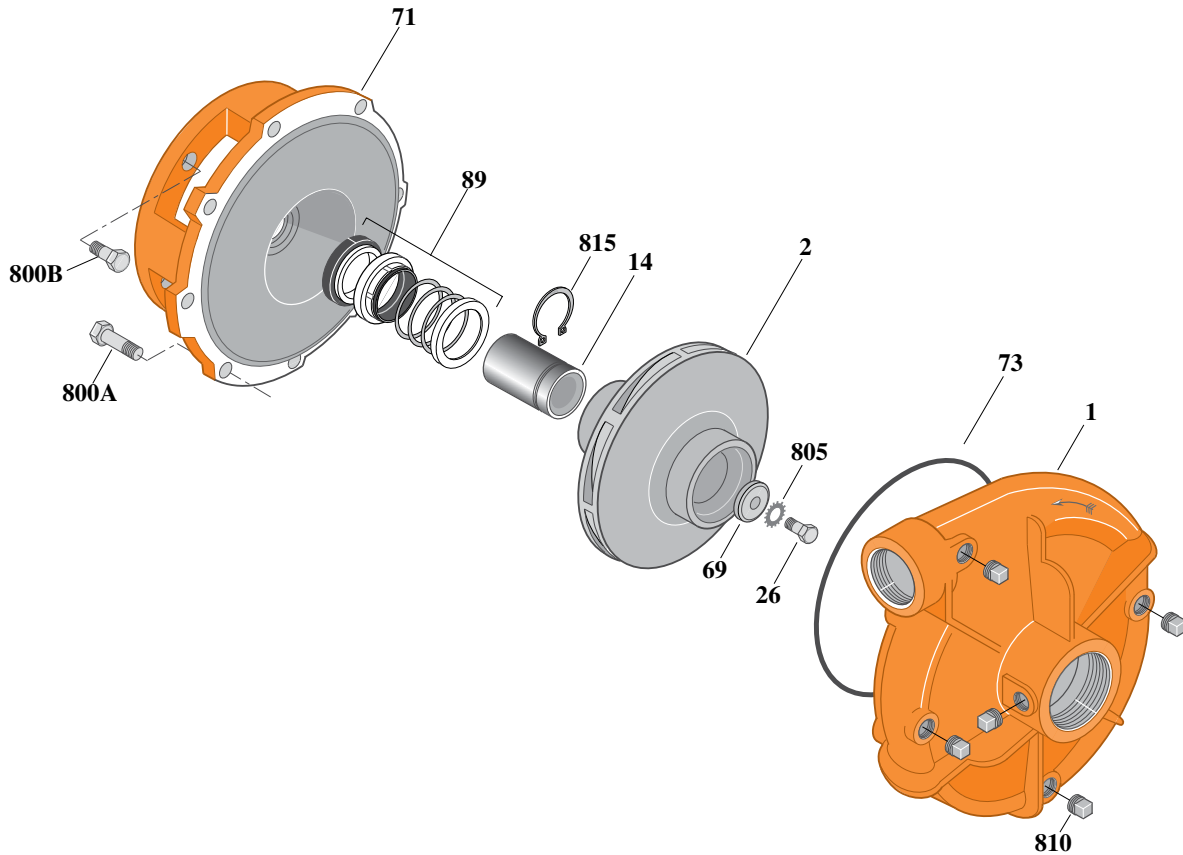


Table I

| B/M No. | HP | PH | RPM | "U" Dim. | Imp. Dia. | Imp. No. |
|---------|-----|----|------|----------|-----------|----------|
| B66489 | 7.5 | 1 | 3600 | 7/8" | 7.18" | L06649 |
| B66490 | 7.5 | 3 | 3600 | 7/8" | 7.18" | L06649 |
| B66832 | 10 | 1 | 3600 | 7/8" | 7.88" | L06609 |
| B66833 | 10 | 3 | 3600 | 7/8" | 7.88" | L06609 |
| B66841 | 15 | 3 | 3600 | 7/8" | 8.75" | L06610 |

| Item | Part Description | Part Number |
|------|----------------------------------|--------------|
| 1 | Case, Volute | L01025 |
| 2 | Impeller | See Table I |
| 14 | Sleeve, Shaft | S19310L |
| 26 | Screw, Impeller 3/8 - 16 x 1" | S23566 |
| 32 | Key, 3/16 x 1-1/4" (See Note 1) | S34383 |
| 69 | Washer, Impeller | S06314 |
| 71 | Bracket | See Table II |
| 73 | O-Ring (See Note 2) | M14943 |
| 89 | Seal, Mechanical Shaft | S32014 |
| 800A | Capscrew, 3/8 - 16 x 1" (8 Req.) | S26826 |
| 800B | Capscrew, 1/2 - 13 x 1" (4 Req.) | S26912 |
| 805 | Washer, Lock | S23036 |
| 810 | Plug, Pipe 1/4 NPT (5 Req.) | S23715 |
| 815 | Ring, Retaining | S11207 |

Table II

| HP | PH | Bracket No. | "AK" Fit | "U" Dim. | Motor Frame |
|-----|----|-------------|----------|----------|-------------|
| 7.5 | 1 | L05331 | 8-1/2" | 7/8" | 213JM |
| 7.5 | 3 | L05332 | 4-1/2" | 7/8" | 184JM |
| 10 | 1 | L05331 | 8-1/2" | 7/8" | 215JM |
| 10 | 3 | L05331 | 8-1/2" | 7/8" | 213JM |
| 15 | 3 | L05331 | 8-1/2" | 7/8" | 215JM |

NOTE 1: For an explanation of the tabulated material found on this page and for impeller key location, refer to *Supplement A* located at the beginning of this section.

NOTE 2: Also accepts gasket S05126 as replacement for o-ring. See *Supplement E* located at the beginning of this section.



Type "B" Single Stage Centrifugal Pump Electric Motor Drive

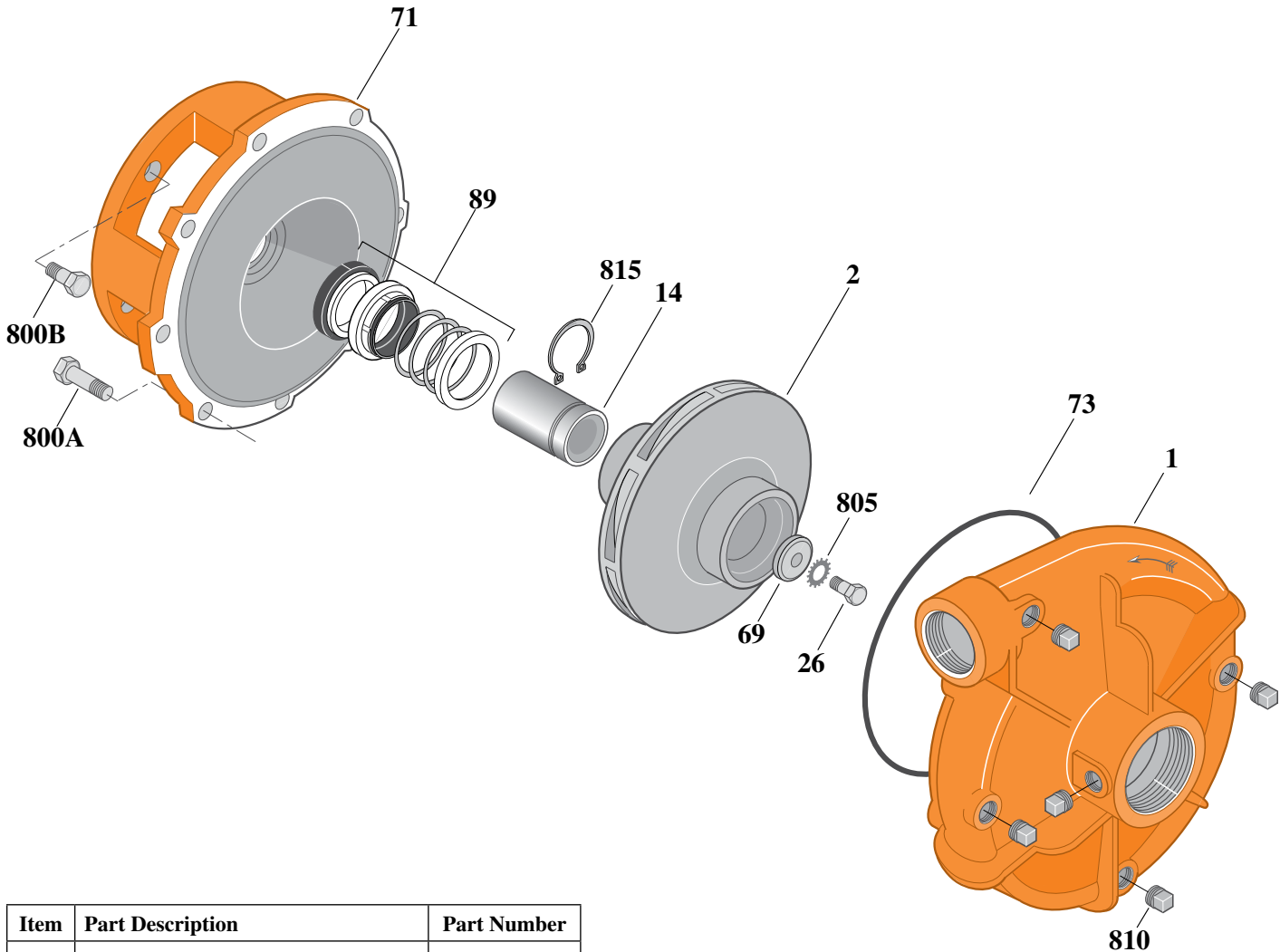
| | |
|-------------------|--------------|
| Section | CC |
| Page | 40.6 |
| Date | July 1, 2011 |
| Supersedes 1/1/04 | |

SILICON BRONZE IMPELLER

B1-1/2ZPLS

Threaded Case (NPT)

Mechanical Shaft Seal Construction



| Item | Part Description | Part Number |
|------|--------------------------------------|--------------|
| 1 | Case, Volute | L03075 |
| 2 | Impeller | See Table I |
| 14 | Sleeve, Shaft | S18869L |
| 26 | Screw, Impeller 1/2 - 13 x 1" | S23619 |
| 32 | Key, 1/4 x 2-1/4" (See Note1) | S23677 |
| 69 | Washer, Impeller | S06317 |
| 71 | Bracket | See Table II |
| 73 | O-Ring (See Note 2) | M14943 |
| 89 | Seal, Mechanical Shaft | S32015 |
| 800A | Capscrew, 3/8 - 16 x 1-1/8" (8 Req.) | S26827 |
| 800B | Capscrew, 1/2 - 13 x 1" (4 Req.) | S26912 |
| 805 | Washer, Lock | S23038 |
| 810 | Plug, Pipe 1/4 NPT (5 Req.) | S23715 |
| 815 | Ring, Retaining | S16767 |

Table I

| B/M No. | HP | PH | RPM | "U" Dim. | Imp. Dia. | Imp. No. |
|---------|----|----|------|----------|-----------|----------|
| B78660 | 20 | 3 | 3600 | 1-1/4" | 9.00" | H05465 |

Table II

| HP | PH | Bracket No. | "AK" Fit | "U" Dim. | Motor Frame |
|----|----|-------------|----------|----------|-------------|
| 20 | 3 | L04615 | 8-1/2" | 1-1/4" | 254JM |

NOTE 1: For an explanation of the tabulated material found on this page and for impeller key location, refer to *Supplement A* located at the beginning of this section.

NOTE 2: Also accepts gasket S05126 as replacement for o-ring. See *Supplement E* located at the beginning of this section.



Type "B" Single Stage Centrifugal Pump Electric Motor Drive

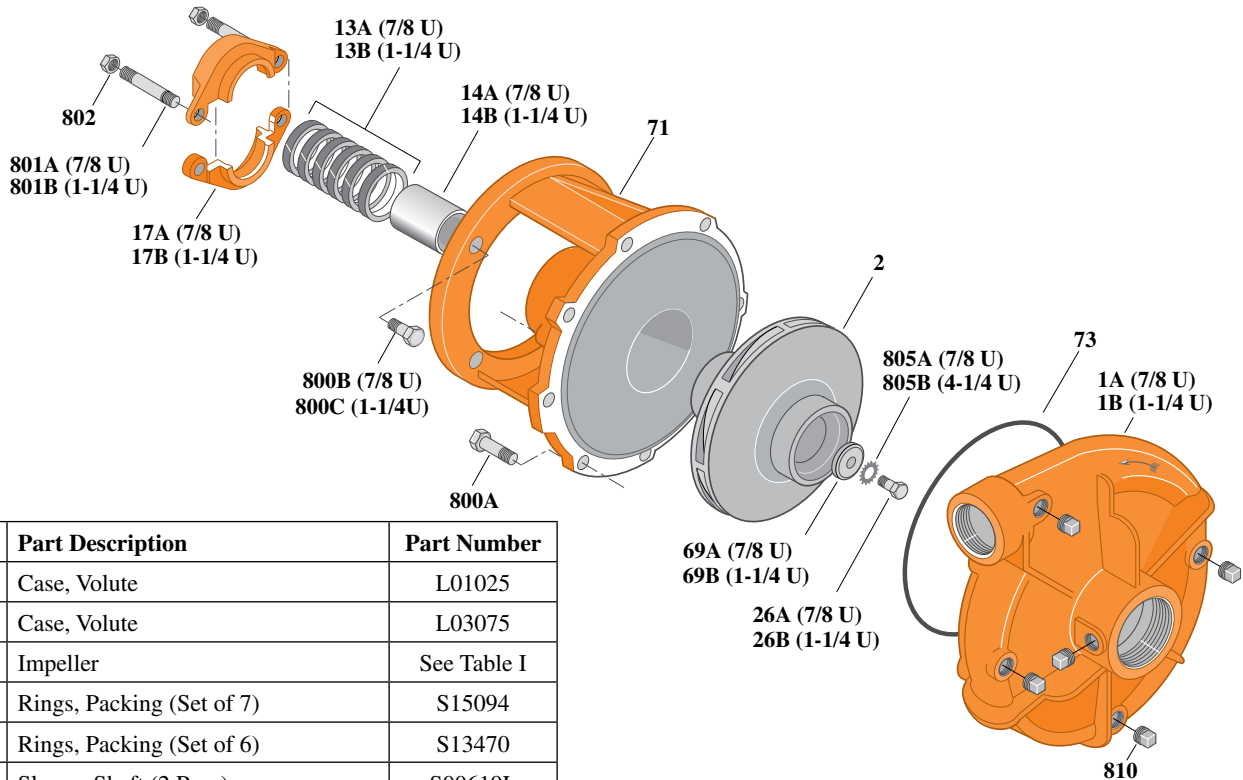
| | |
|-------------------|--------------|
| Section | CC |
| Page | 40.7 |
| Date | July 1, 2011 |
| Supersedes 1/1/04 | |

SILICON BRONZE IMPELLER

B1-1/2ZPL

Threaded Case (NPT)

Packing Construction



| Item | Part Description | Part Number |
|------|--------------------------------------|--------------|
| 1A | Case, Volute | L01025 |
| 1B | Case, Volute | L03075 |
| 2 | Impeller | See Table I |
| 13A | Rings, Packing (Set of 7) | S15094 |
| 13B | Rings, Packing (Set of 6) | S13470 |
| 14A | Sleeve, Shaft (2 Req.) | S00619L |
| 14B | Sleeve, Shaft | S05149L |
| 17A | Gland, Packing | B82469 |
| 17B | Gland, Packing | B82470 |
| 26A | Screw, Impeller 3/8 - 16 x 1" | S23566 |
| 26B | Screw, Impeller 1/2 - 13 x 1" | S23619 |
| 32A | Key, 3/16 x 1-1/4" (See Note 1) | S34383 |
| 32B | Key, 1/4 x 2/14" (See Note 1) | S23677 |
| 69A | Washer, Impeller | S06314 |
| 69B | Washer, Impeller | S06317 |
| 71 | Bracket | See Table II |
| 73 | O-Ring (See Note 2) | M14943 |
| 800A | Capscrew, 3/8 - 16 x 1" (8 Req.) | S26826 |
| 800B | Capscrew, 3/8 - 16 x 1-1/8" (4 Req.) | S26827 |
| 800C | Capscrew, 1/2 - 13 x 1-1/2" (4 Req.) | S26916 |
| 801A | Stud, 3/8 - 16 x 3" (2 Req.) | S04439 |
| 801B | Stud, 3/8 - 16 x 4" (2 Req.) | S08303 |
| 802 | Nut, Hex 3/8 - 16 (2 Req.) | S23343 |
| 805A | Washer, Lock | S23036 |
| 805B | Washer, Lock | S23038 |
| 810 | Plug, Pipe 1/4" NPT (5 Req.) | S23715 |

Table I

| B/M No. | HP | PH | RPM | "U" Dim. | Imp. Dia. | Imp. No. |
|---------|-----|----|------|----------|-----------|----------|
| B66487S | 7.5 | 1 | 3600 | 1-1/4" | 7.18" | H05458 |
| B66488S | 7.5 | 3 | 3600 | 7/8" | 7.18" | H05459 |
| B66491S | 10 | 1 | 3600 | 1-1/4" | 7.88" | H05460 |
| B66492S | 10 | 3 | 3600 | 1-1/4" | 7.88" | H05460 |
| B66493S | 15 | 3 | 3600 | 1-1/4" | 8.75" | H05461 |

Table II

| HP | PH | Bracket No. | "AK" Fit | "U" Dim. | Motor Frame |
|-----|----|-------------|----------|----------|-------------|
| 7.5 | 1 | L03827 | 8-1/2" | 1-1/4" | 213JP |
| 7.5 | 3 | H00950 | 4-1/2" | 7/8" | 184JP |
| 10 | 1 | L03827 | 8-1/2" | 1-1/4" | 215JP |
| 10 | 3 | L03827 | 8-1/2" | 1-1/4" | 213JP |
| 15 | 3 | L03827 | 8-1/2" | 1-1/4" | 215JP |

NOTE 1: For an explanation of the tabulated material found on this page and for impeller key location, refer to *Supplement A* located at the beginning of this section.

NOTE 2: Also accepts gasket S05126 as replacement for o-ring. See *Supplement E* located at the beginning of this section.



Type "B" Single Stage Centrifugal Pump Electric Motor Drive

| | |
|-------------------|--------------|
| Section | CC |
| Page | 40.8 |
| Date | July 1, 2011 |
| Supersedes 1/1/04 | |

SILICON BRONZE IMPELLERB1-1/2ZPLS

Threaded Case (NPT)

Mechanical Shaft Seal Construction

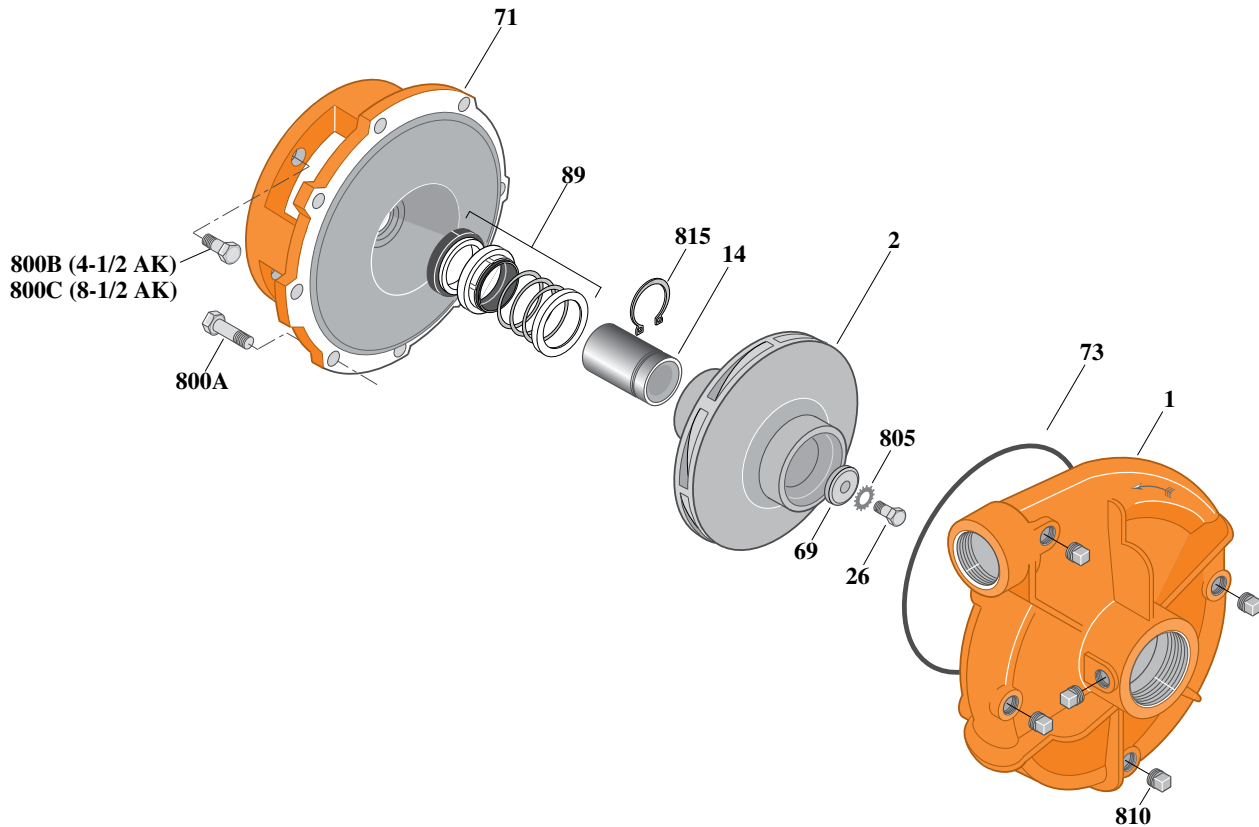


Table I

| B/M No. | HP | PH | RPM | "U" Dim. | Imp. Dia. | Imp. No. |
|---------|-----|----|------|----------|-----------|----------|
| B66489S | 7.5 | 1 | 3600 | 7/8" | 7.18" | H05459 |
| B66490S | 7.5 | 3 | 3600 | 7/8" | 7.18" | H05459 |
| B66832S | 10 | 1 | 3600 | 7/8" | 7.88" | H05463 |
| B66833S | 10 | 3 | 3600 | 7/8" | 7.88" | H05463 |
| B66841S | 15 | 3 | 3600 | 7/8" | 8.75" | H05464 |

Table II

| HP | PH | Bracket No. | "AK" Fit | "U" Dim. | Motor Frame |
|-----|----|-------------|----------|----------|-------------|
| 7.5 | 1 | L05331 | 8-1/2" | 7/8" | 213JM |
| 7.5 | 3 | L05332 | 4-1/2" | 7/8" | 184JM |
| 10 | 1 | L05331 | 8-1/2" | 7/8" | 215JM |
| 10 | 3 | L05331 | 8-1/2" | 7/8" | 213JM |
| 15 | 3 | L05331 | 8-1/2" | 7/8" | 215JM |

| Item | Part Description | Part Number |
|------|----------------------------------|--------------|
| 1 | Case, Volute | L01025 |
| 2 | Impeller | See Table I |
| 14 | Sleeve, Shaft | S19310L |
| 26 | Screw, Impeller 3/8 - 16 x 1" | S23566 |
| 32 | Key, 3/16 x 1-1/4" (See Note 1) | S34383 |
| 69 | Washer, Impeller | S06314 |
| 71 | Bracket | See Table II |
| 73 | O-Ring (See Note 3) | M14943 |
| 89 | Seal, Mechanical Shaft | S32014 |
| 800A | Capscrew, 3/8 - 16 x 1" (8 Req.) | S26826 |
| 800B | Capscrew, 3/8 - 16 x 1" (4 Req.) | S26826 |
| 800C | Capscrew, 1/2 - 13 x 1" (4 Req.) | S26912 |
| 805 | Washer, Lock | S23036 |
| 810 | Plug, Pipe 1/4" NPT (5 Req.) | S23715 |
| 815 | Ring, Retaining | S11207 |
| • | Plug, Pipe 1/8" NPT (In Bracket) | S23714 |

NOTE 1: For an explanation of the tabulated material found on this page and for impeller key location, refer to *Supplement A* located at the beginning of this section.

NOTE 2: For seal flush line details, see *Supplement D*.

NOTE 3: Also accepts gasket S05126 as replacement for o-ring. See *Supplement E* located at the beginning of this section.

• Not illustrated.



Type "B" Single Stage Centrifugal Pump Electric Motor Drive

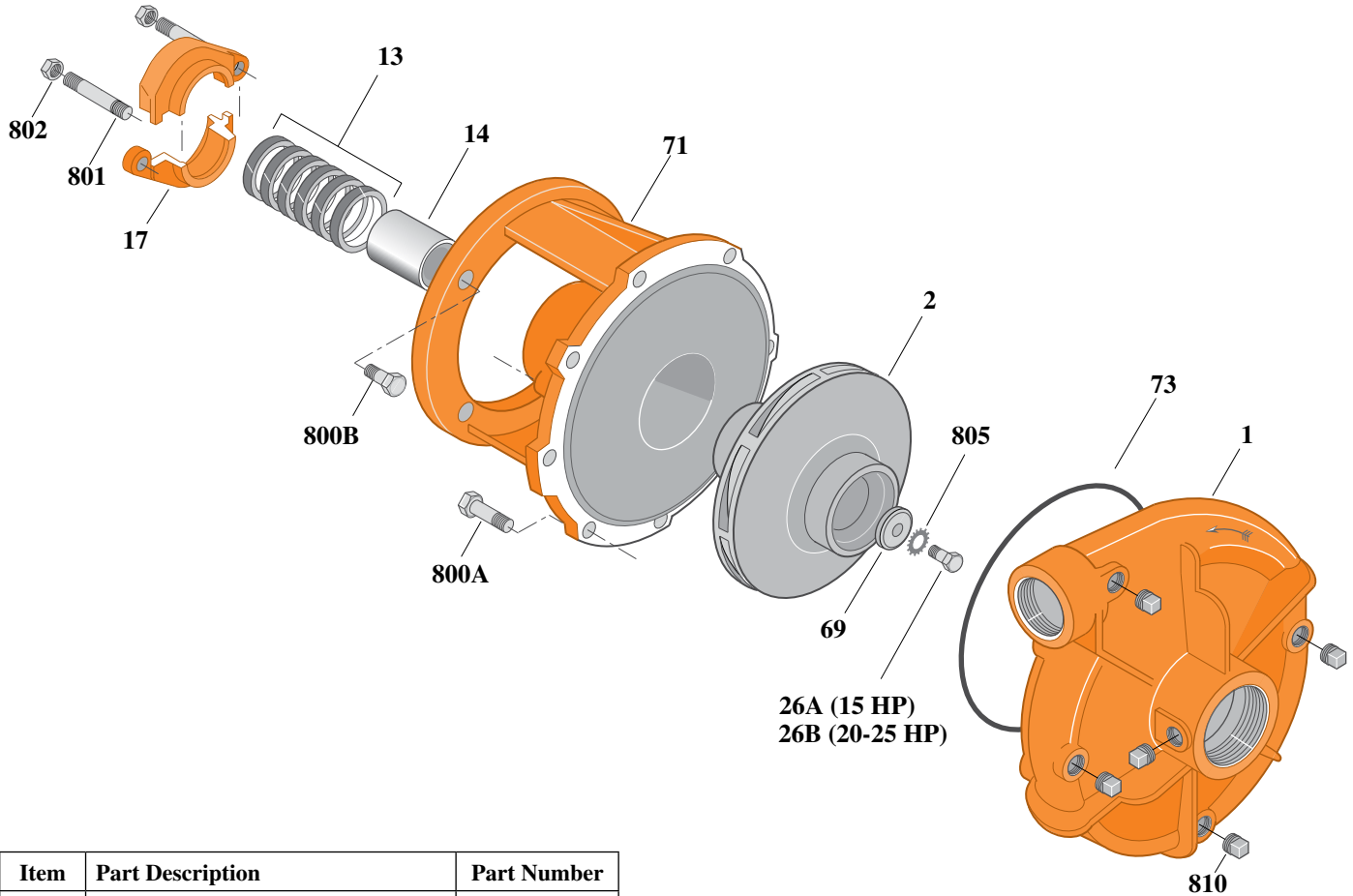
| | |
|-------------------|--------------|
| Section | CC |
| Page | 50.1 |
| Date | July 1, 2011 |
| Supersedes 1/1/04 | |

CAST IRON IMPELLER

B1-1/2ZPH

Threaded Case (NPT)

Packing Construction



| Item | Part Description | Part Number |
|------|--------------------------------------|--------------|
| 1 | Case, Volute | L03075 |
| 2 | Impeller | See Table I |
| 13 | Rings, Packing (Set of 6) | S13470 |
| 14 | Sleeve, Shaft | S05149L |
| 17 | Gland, Packing | B82470 |
| 26A | Screw, Impeller 1/2 - 13 x 1-1/2" | S23623 |
| 26B | Screw, Impeller 1/2 - 13 x 1-1/4" | S23621 |
| 32 | Key, 1/4 x 2-1/4" (See Note 1) | S23677 |
| 69 | Washer, Impeller | S06319 |
| 71 | Bracket | See Table II |
| 73 | O-Ring (See Note 2) | M14943 |
| 800A | Capscrew, 3/8 - 16 x 1-1/8" (8 Req.) | S26827 |
| 800B | Capscrew, 1/2 - 13 x 1-1/2" (4 Req.) | S26916 |
| 801 | Stud, 3/8 - 16 x 4" (2 Req.) | S08303 |
| 802 | Nut, Hex 3/8 - 16 (2 Req.) | S23343 |
| 805 | Washer, Lock | S23038 |
| 810 | Plug, Pipe 1/4 NPT (5 Req.) | S23715 |

Table I

| B/M No. | HP | PH | RPM | "U" Dim. | Imp. Dia. | Imp. No. |
|---------|----|----|------|----------|-----------|----------|
| B53759 | 15 | 3 | 3600 | 1-1/4" | 7.94" | M07666 |
| B52296 | 20 | 3 | 3600 | 1-1/4" | 8.62" | M07665 |
| B52297 | 25 | 3 | 3600 | 1-1/4" | 9.00" | M04906 |

Table II

| HP | PH | Bracket No. | "AK" Fit | "U" Dim. | Motor Frame |
|----|----|-------------|----------|----------|-------------|
| 15 | 3 | L03827 | 8-1/2" | 1-1/4" | 215JP |
| 20 | 3 | L03827 | 8-1/2" | 1-1/4" | 254JP |
| 25 | 3 | L03827 | 8-1/2" | 1-1/4" | 256JP |

NOTE 1: For an explanation of the tabulated material found on this page and for impeller key location, refer to *Supplement A* located at the beginning of this section.

NOTE 2: Also accepts gasket S05126 as replacement for o-ring. See *Supplement E* located at the beginning of this section.



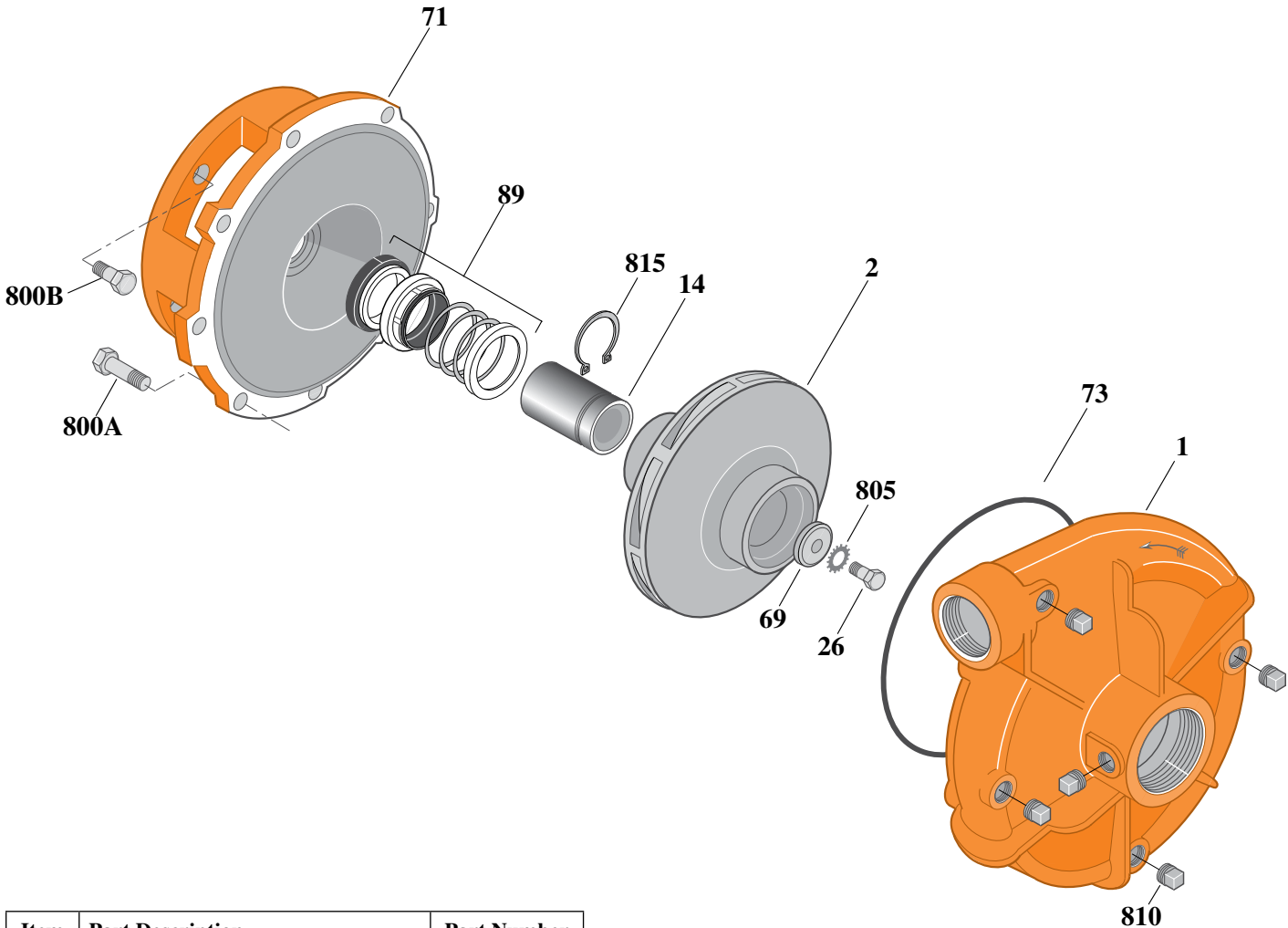
Type "B" Single Stage Centrifugal Pump Electric Motor Drive

| | |
|-------------------|--------------|
| Section | CC |
| Page | 50.2 |
| Date | July 1, 2011 |
| Supersedes 1/1/04 | |

CAST IRON IMPELLER B1-1/2ZPHS

Threaded Case (NPT)

Mechanical Shaft Seal Construction



| Item | Part Description | Part Number |
|------|--------------------------------------|--------------|
| 1 | Case, Volute | L03075 |
| 2 | Impeller | See Table I |
| 14 | Sleeve, Shaft | S19310L |
| 26 | Screw, Impeller 3/8 - 16 x 1" | S23566 |
| 32 | Key, 3/16 x 1-1/4" (See Note 1) | S34383 |
| 69 | Washer, Impeller | S06314 |
| 71 | Bracket | See Table II |
| 73 | O-Ring (See Note 2) | M14943 |
| 89 | Seal, Mechanical Shaft | S32014 |
| 800A | Capscrew, 3/8 - 16 x 1-1/8" (8 Req.) | S26827 |
| 800B | Capscrew, 1/2 - 13 x 1" (4 Req.) | S26912 |
| 805 | Washer, Lock | S23036 |
| 810 | Plug, Pipe 1/4 NPT (5 Req.) | S23715 |
| 815 | Ring, Retaining | S11207 |

Table I

| B/M No. | HP | PH | RPM | "U" Dim. | Imp. Dia. | Imp. No. |
|---------|----|----|------|----------|-----------|----------|
| B54520 | 15 | 3 | 3600 | 7/8" | 7.94" | M07760 |

Table II

| HP | PH | Bracket No. | "AK" Fit | "U" Dim. | Motor Frame |
|----|----|-------------|----------|----------|-------------|
| 15 | 3 | L05331 | 8-1/2" | 7/8" | 215JM |

NOTE 1: For an explanation of the tabulated material found on this page and for impeller key location, refer to *Supplement A* located at the beginning of this section.

NOTE 2: Also accepts gasket S05126 as replacement for o-ring. See *Supplement E* located at the beginning of this section.



Type "B" Single Stage Centrifugal Pump Electric Motor Drive

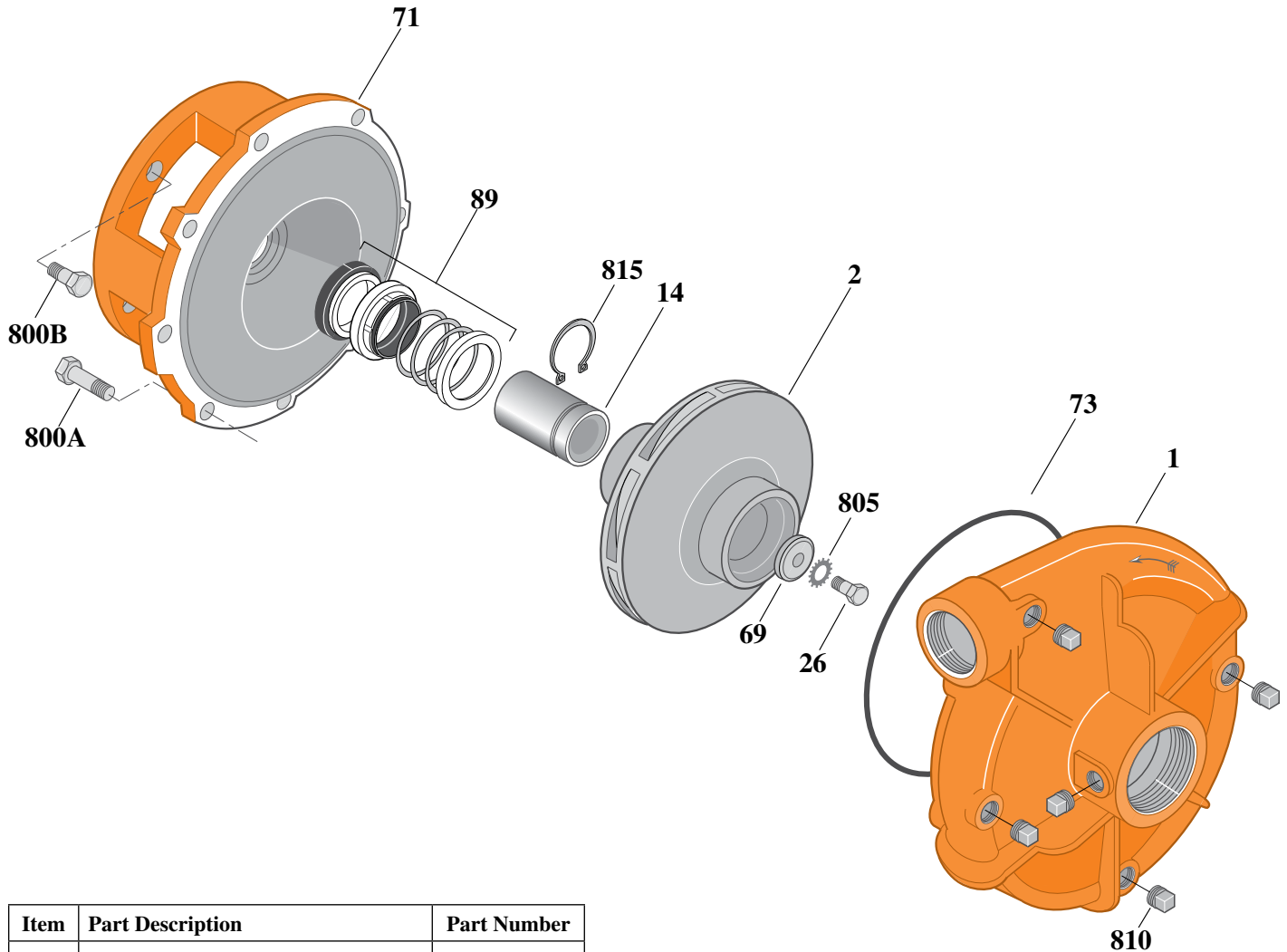
| | |
|-------------------|--------------|
| Section | CC |
| Page | 50.3 |
| Date | July 1, 2011 |
| Supersedes 1/1/04 | |

CAST IRON IMPELLER

B1-1/2ZPHS

Threaded Case (NPT)

Mechanical Shaft Seal Construction



| Item | Part Description | Part Number |
|------|--------------------------------------|--------------|
| 1 | Case, Volute | L03075 |
| 2 | Impeller | See Table I |
| 14 | Sleeve, Shaft | S18869L |
| 26 | Screw, Impeller 1/2 - 13 x 1-1/4" | S23621 |
| 32 | Key, 1/4 x 2-1/4" (See Note 1) | S23677 |
| 69 | Washer, Impeller | S06319 |
| 71 | Bracket | See Table II |
| 73 | O-Ring (See Note 2) | M14943 |
| 89 | Seal, Mechanical Shaft | S32015 |
| 800A | Capscrew, 3/8 - 16 x 1-1/8" (8 Req.) | S26827 |
| 800B | Capscrew, 1/2 - 13 x 1" (4 Req.) | S26912 |
| 805 | Washer, Lock | S23038 |
| 810 | Plug, Pipe 1/4 NPT (5 Req.) | S23715 |
| 815 | Ring, Retaining | S16767 |

Table I

| B/M No. | HP | PH | RPM | "U" Dim. | Imp. Dia. | Imp. No. |
|---------|----|----|------|----------|-----------|----------|
| B54074 | 20 | 3 | 3600 | 1-1/4" | 8.62" | M07665 |
| B54075 | 25 | 3 | 3600 | 1-1/4" | 9.00" | M04906 |

Table II

| HP | PH | Bracket No. | "AK" Fit | "U" Dim. | Motor Frame |
|----|----|-------------|----------|----------|-------------|
| 20 | 3 | L04615 | 8-1/2" | 1-1/4" | 254JM |
| 25 | 3 | L04615 | 8-1/2" | 1-1/4" | 256JM |

NOTE 1: For an explanation of the tabulated material found on this page and for impeller key location, refer to *Supplement A* located at the beginning of this section.

NOTE 2: Also accepts gasket S05126 as replacement for o-ring. See *Supplement E* located at the beginning of this section.



Type "B" Single Stage Centrifugal Pump Electric Motor Drive

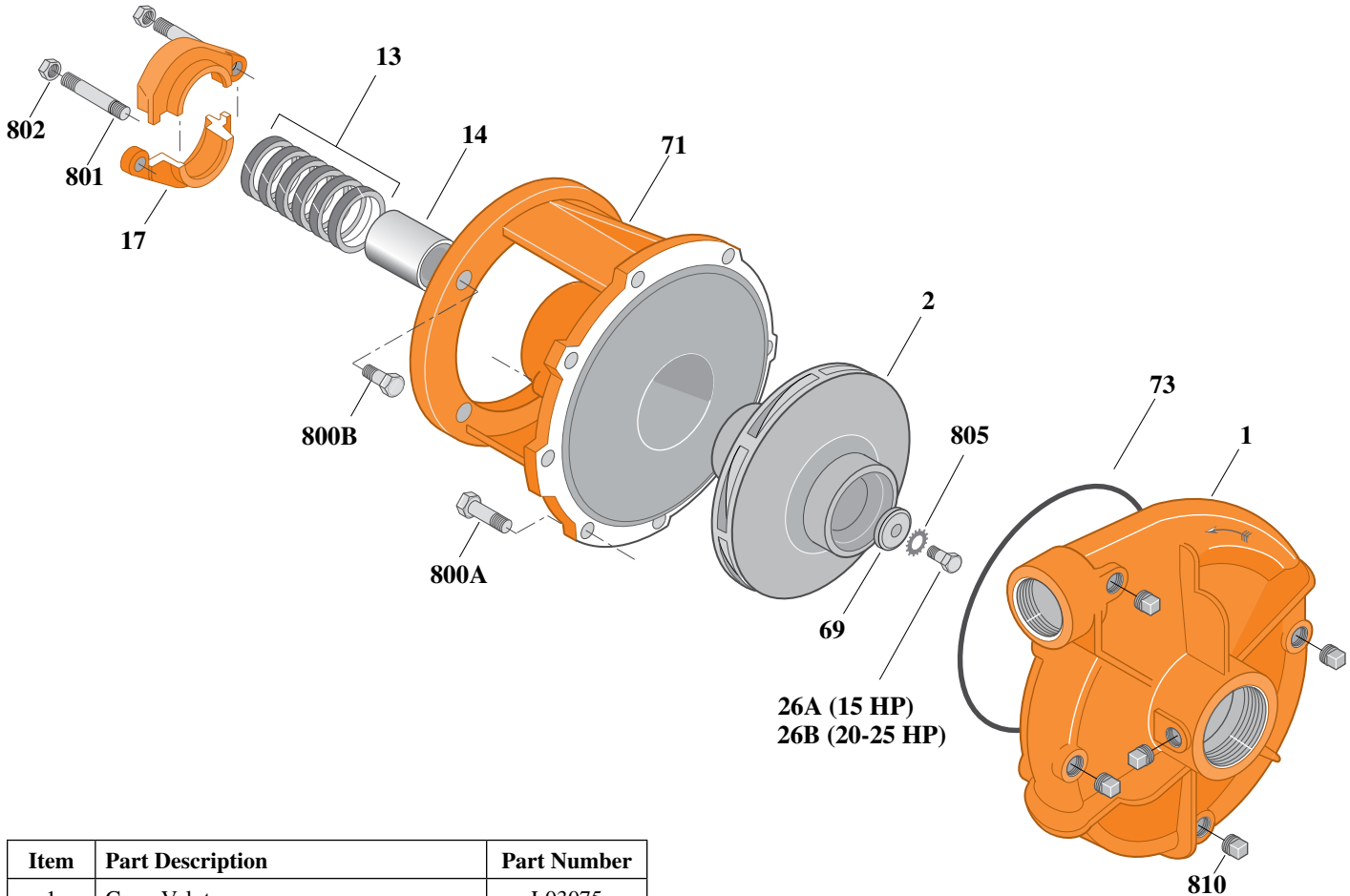
| | |
|-------------------|--------------|
| Section | CC |
| Page | 50.5 |
| Date | July 1, 2011 |
| Supersedes 1/1/04 | |

SILICON BRONZE IMPELLER

B1-1/2ZPH

Threaded Case (NPT)

Packing Construction



| Item | Part Description | Part Number |
|------|--------------------------------------|--------------|
| 1 | Case, Volute | L03075 |
| 2 | Impeller | See Table I |
| 13 | Rings, Packing (Set of 6) | S13470 |
| 14 | Sleeve, Shaft | S05149L |
| 17 | Gland, Packing | B82470 |
| 26A | Screw, Impeller 1/2 - 13 x 1-1/2" | S23623 |
| 26B | Screw, Impeller 1/2 - 13 x 1-1/4" | S23621 |
| 32 | Key, 1/4 x 2-1/4" (See Note 1) | S23677 |
| 69 | Washer, Impeller | S06319 |
| 71 | Bracket | See Table II |
| 73 | O-Ring (See Note 2) | M14943 |
| 800A | Capscrew, 3/8 - 16 x 1-1/8" (8 Req.) | S26827 |
| 800B | Capscrew, 1/2 - 13 x 1-1/2" (4 Req.) | S26916 |
| 801 | Stud, 3/8 - 16 x 4" (2 Req.) | S08303 |
| 802 | Nut, Hex 3/8 - 16 (2 Req.) | S23343 |
| 805 | Washer, Lock | S23038 |
| 810 | Plug, Pipe 1/4" NPT (5 Req.) | S23715 |

Table I

| B/M No. | HP | PH | RPM | "U" Dim. | Imp. Dia. | Imp. No. |
|---------|----|----|------|----------|-----------|----------|
| B74423 | 15 | 3 | 3600 | 1-1/4" | 7.94" | L08156 |
| B74427 | 20 | 3 | 3600 | 1-1/4" | 8.62" | L08155 |
| B74431 | 25 | 3 | 3600 | 1-1/4" | 9.00" | L08153 |

Table II

| HP | PH | Bracket No. | "AK" Fit | "U" Dim. | Motor Frame |
|----|----|-------------|----------|----------|-------------|
| 15 | 3 | L03827 | 8-1/2" | 1-1/4" | 215JP |
| 20 | 3 | L03827 | 8-1/2" | 1-1/4" | 254JP |
| 25 | 3 | L03827 | 8-1/2" | 1-1/4" | 256JP |

NOTE 1: For an explanation of the tabulated material found on this page and for impeller key location, refer to *Supplement A* located at the beginning of this section.

NOTE 2: Also accepts gasket S05126 as replacement for o-ring. See *Supplement E* located at the beginning of this section.



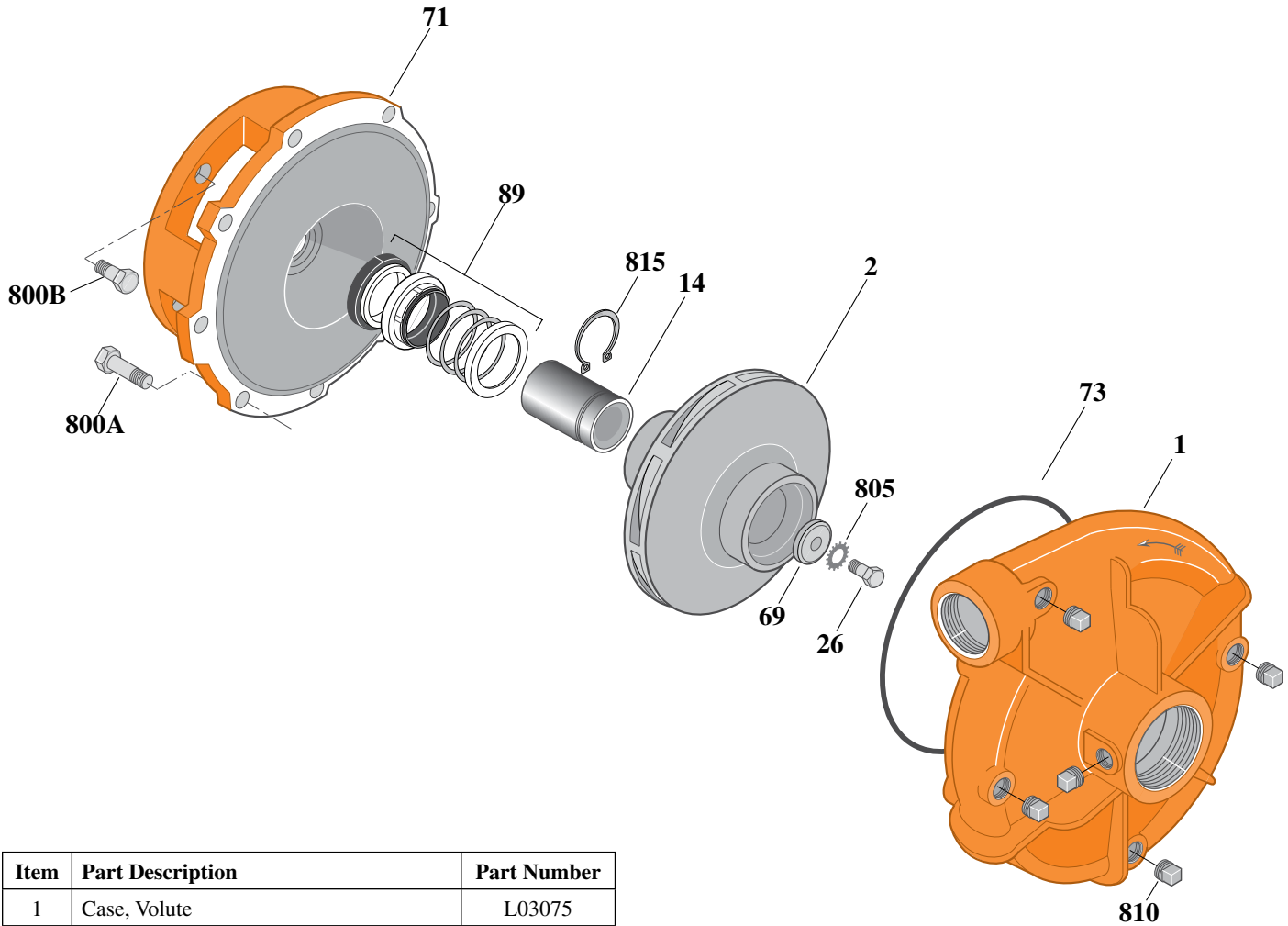
Type "B" Single Stage Centrifugal Pump Electric Motor Drive

| | |
|-------------------|--------------|
| Section | CC |
| Page | 50.6 |
| Date | July 1, 2011 |
| Supersedes 1/1/04 | |

SILICON BRONZE IMPELLER B1-1/2ZPHS

Threaded Case (NPT)

Mechanical Shaft Seal Construction



| Item | Part Description | Part Number |
|------|--------------------------------------|--------------|
| 1 | Case, Volute | L03075 |
| 2 | Impeller | See Table I |
| 14 | Sleeve, Shaft | S19310L |
| 26 | Screw, Impeller 3/8 - 16 x 1" | S23566 |
| 32 | Key, 3/16 x 1-1/4" (See Note1) | S34383 |
| 69 | Washer, Impeller | S06314 |
| 71 | Bracket | See Table II |
| 73 | O-Ring (See Note 3) | M14943 |
| 89 | Seal, Mechanical Shaft | S32014 |
| 800A | Capscrew, 3/8 - 16 x 1-1/8" (8 Req.) | S26827 |
| 800B | Capscrew, 3/8 - 16 x 1" (4 Req.) | S26826 |
| 805 | Washer, Lock | S23036 |
| 810 | Plug, Pipe 1/4" NPT (5 Req.) | S23715 |
| 815 | Ring, Retaining | S11207 |
| • | Plug, Pipe 1/8" NPT (In Bracket) | S23714 |

• Not illustrated.

Table I

| B/M No. | HP | PH | RPM | "U" Dim. | Imp. Dia. | Imp. No. |
|---------|----|----|------|----------|-----------|----------|
| B75254 | 3 | 1 | 1800 | 7/8" | 9.00" | L08374 |
| B75253 | 3 | 3 | 1800 | 7/8" | 9.00" | L08374 |

Table II

| HP | PH | Bracket No. | "AK" Fit | "U" Dim. | Motor Frame |
|----|----|-------------|----------|----------|-------------|
| 3 | 1 | L05332 | 4-1/2" | 7/8" | 184JM |
| 3 | 3 | L05332 | 4-1/2" | 7/8" | 182JM |

NOTE 1: For an explanation of the tabulated material found on this page and for impeller key location, refer to *Supplement A* located at the beginning of this section.

NOTE 2: For seal flush line details, see *Supplement D*.

NOTE 3: Also accepts gasket S05126 as replacement for o-ring. See *Supplement E* located at the beginning of this section.



Type "B" Single Stage Centrifugal Pump Electric Motor Drive

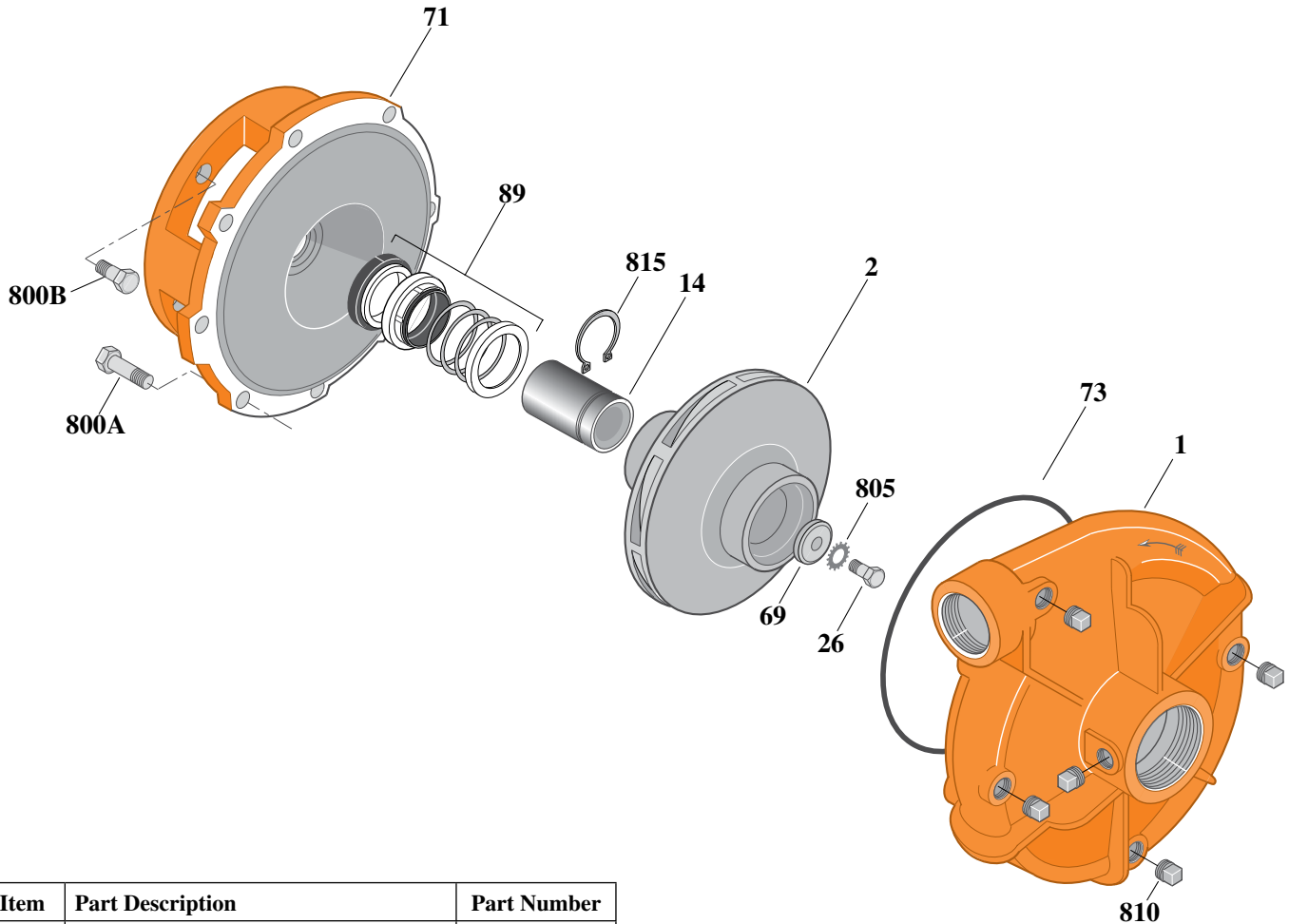
| | |
|-------------------|--------------|
| Section | CC |
| Page | 50.7 |
| Date | July 1, 2011 |
| Supersedes 1/1/04 | |

SILICON BRONZE IMPELLER

B1-1/2ZPHS

Threaded Case (NPT)

Mechanical Shaft Seal Construction



| Item | Part Description | Part Number |
|------|--------------------------------------|--------------|
| 1 | Case, Volute | L03075 |
| 2 | Impeller | See Table I |
| 14 | Sleeve, Shaft | S19310L |
| 26 | Screw, Impeller 3/8 - 16 x 1" | S23566 |
| 32 | Key, 3/16 x 1-1/4" (See Note) | S34383 |
| 69 | Washer, Impeller | S06314 |
| 71 | Bracket | See Table II |
| 73 | Gasket, Volute | S05126 |
| 89 | Seal, Mechanical Shaft | S32014 |
| 800A | Capscrew, 3/8 - 16 x 1-1/8" (8 Req.) | S26827 |
| 800B | Capscrew, 1/2 - 13 x 1" (4 Req.) | S26912 |
| 805 | Washer, Lock | S23036 |
| 810 | Plug, Pipe 1/4" NPT (5 Req.) | S23715 |
| 815 | Ring, Retaining | S11207 |
| • | Plug, Pipe 1/8" NPT (In Bracket) | S23714 |

• Not illustrated.

Table I

| B/M No. | HP | PH | RPM | "U" Dim. | Imp. Dia. | Imp. No. |
|---------|----|----|------|----------|-----------|----------|
| B74435 | 15 | 3 | 3600 | 7/8" | 7.94" | H05679 |

Table II

| HP | PH | Bracket No. | "AK" Fit | "U" Dim. | Motor Frame |
|----|----|-------------|----------|----------|-------------|
| 15 | 3 | L05331 | 8-1/2" | 7/8" | 215JM |

NOTE 1: For an explanation of the tabulated material found on this page and for impeller key location, refer to *Supplement A* located at the beginning of this section.

NOTE 2: For seal flush line details, see *Supplement D*.

NOTE 3: Also accepts gasket S05126 as replacement for o-ring. See *Supplement E* located at the beginning of this section.



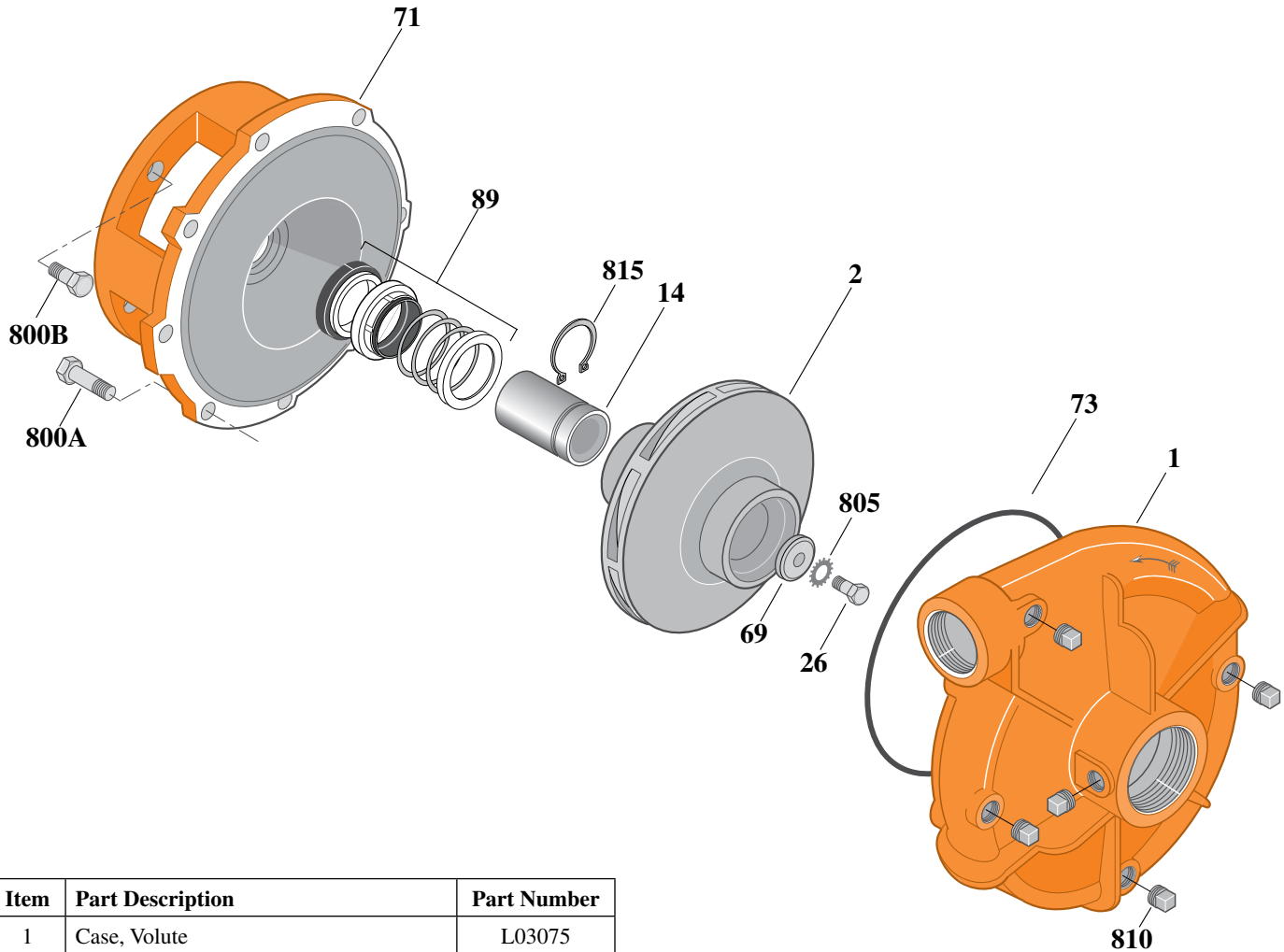
Type "B" Single Stage Centrifugal Pump Electric Motor Drive

| | |
|-------------------|--------------|
| Section | CC |
| Page | 50.8 |
| Date | July 1, 2011 |
| Supersedes 1/1/04 | |

SILICON BRONZE IMPELLERB1-1/2ZPHS

Threaded Case (NPT)

Mechanical Shaft Seal Construction



| Item | Part Description | Part Number |
|------|--------------------------------------|--------------|
| 1 | Case, Volute | L03075 |
| 2 | Impeller | See Table I |
| 14 | Sleeve, Shaft | S18869L |
| 26 | Screw, Impeller 1/2 - 13 x 1-1/4" | S23621 |
| 32 | Key, 1/4 x 2-1/4" (See Note 1) | S23677 |
| 69 | Washer, Impeller | S06319 |
| 71 | Bracket | See Table II |
| 73 | O-Ring (See Note 3) | M14943 |
| 89 | Seal, Mechanical Shaft | S32015 |
| 800A | Capscrew, 3/8 - 16 x 1-1/8" (8 Req.) | S26827 |
| 800B | Capscrew, 1/2 - 13 x 1" (4 Req.) | S26912 |
| 805 | Washer, Lock | S23038 |
| 810 | Plug, Pipe 1/4" NPT (5 Req.) | S23715 |
| 815 | Ring, Retaining | S16767 |
| • | Plug, Pipe 1/8" NPT (In Bracket) | S23714 |

• Not illustrated.

Table I

| B/M No. | HP | PH | RPM | "U" Dim. | Imp. Dia. | Imp. No. |
|---------|----|----|------|----------|-----------|----------|
| B74437 | 20 | 3 | 3600 | 1-1/4" | 8.62" | L08155 |
| B74439 | 25 | 3 | 3600 | 1-1/4" | 9.00" | L08153 |

Table II

| HP | PH | Bracket No. | "AK" Fit | "U" Dim. | Motor Frame |
|----|----|-------------|----------|----------|-------------|
| 20 | 3 | L04615 | 8-1/2" | 1-1/4" | 254JM |
| 25 | 3 | L04615 | 8-1/2" | 1-1/4" | 256JM |

NOTE 1: For an explanation of the tabulated material found on this page and for impeller key location, refer to *Supplement A* located at the beginning of this section.

NOTE 2: For seal flush line details, see *Supplement D*.

NOTE 3: Also accepts gasket S05126 as replacement for o-ring. See *Supplement E* located at the beginning of this section.



TYPE "B" SINGLE STAGE CENTRIFUGAL PUMP Electric Motor Drive

| | |
|-------------------|-----------------|
| Section | CC |
| Page | 60.1 |
| Date | January 1, 2004 |
| Supersedes 6/1/95 | |

SILICON BRONZE IMPELLER

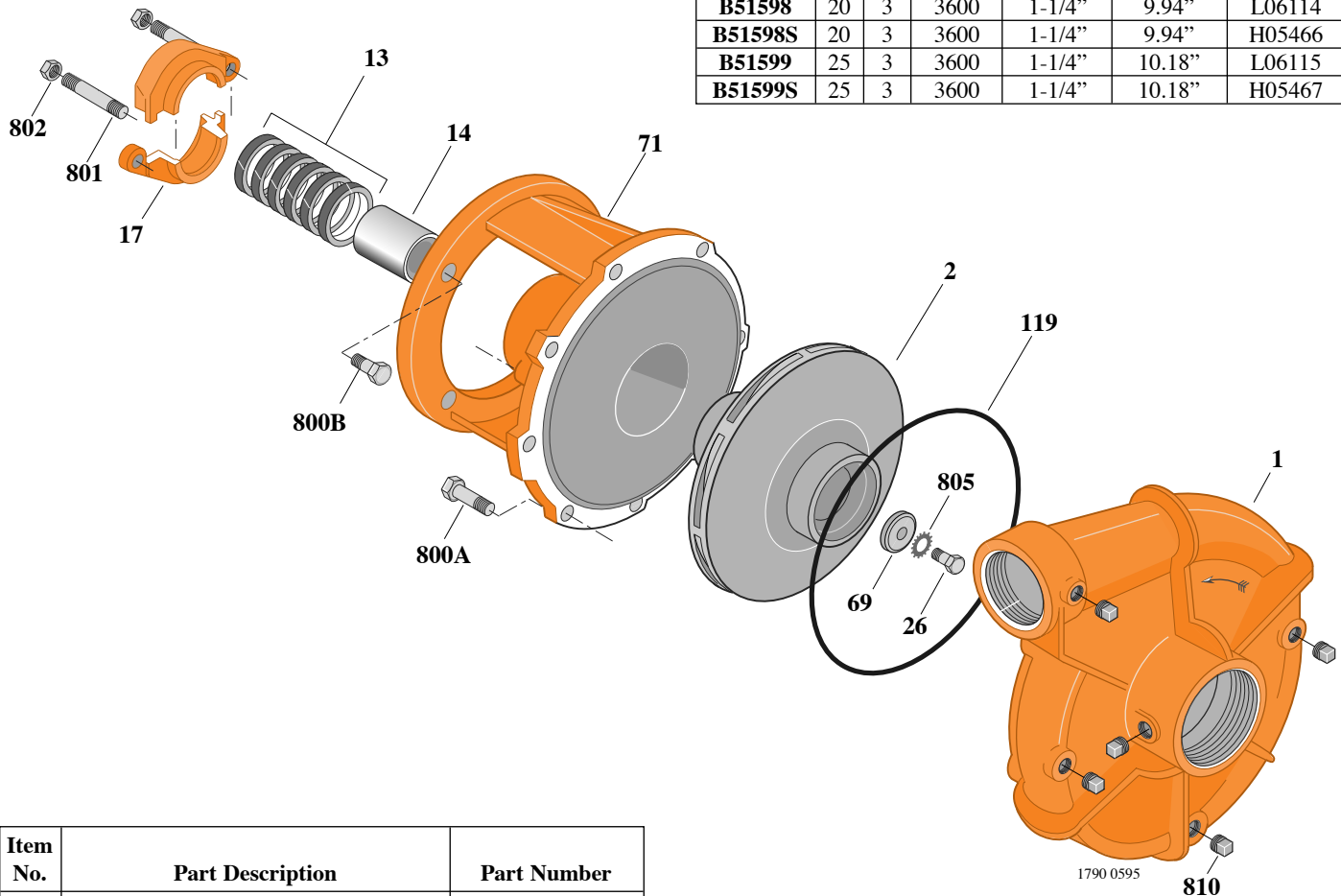
B1-1/2EPL

Threaded Case (NPT)

Packing Construction

TABLE I

| B/M No. | HP | PH | RPM | "U" Dim. | Imp. Dia. | Imp. No. |
|---------|----|----|------|----------|-----------|----------|
| B51598 | 20 | 3 | 3600 | 1-1/4" | 9.94" | L06114 |
| B51598S | 20 | 3 | 3600 | 1-1/4" | 9.94" | H05466 |
| B51599 | 25 | 3 | 3600 | 1-1/4" | 10.18" | L06115 |
| B51599S | 25 | 3 | 3600 | 1-1/4" | 10.18" | H05467 |



| Item No. | Part Description | Part Number |
|----------|--------------------------------------|--------------|
| 1 | Case, Volute | L03093 |
| 2 | Impeller | See Table I |
| 13 | Rings, Packing (Set of 6) | S13470 |
| 14 | Sleeve, Shaft | S05149 |
| 17 | Gland, Packing | B82470 |
| 26 | Screw, Impeller 1/2 - 13 x 1" | S23619 |
| 32 | Key, 1/4 x 2-1/4" (See Note) | S23677 |
| 69 | Washer, Impeller | S12475 |
| 71 | Bracket | See Table II |
| 119 | O-Ring | S13760 |
| 800A | Capscrew, 1/2 - 13 x 1-1/4" (4 Req.) | S26914 |
| 800B | Capscrew, 1/2 - 13 x 1" (8 Req.) | S26912 |
| 801 | Stud, 3/8 - 16 x 2-1/2" (2 Req.) | S04438 |
| 802 | Nut, Hex 3/8 - 16 (2 Req.) | S23343 |
| 805 | Washer, Lock | S23038 |
| 810 | Plug, Pipe 1/4 NPT (5 Req.) | S23715 |

TABLE II

| HP | PH | Bracket No. | "AK" Fit | "U" Dim. | Motor Frame |
|----|----|-------------|----------|----------|-------------|
| 20 | 3 | L03637 | 8-1/2" | 1-1/4" | 254JP |
| 25 | 3 | L03637 | 8-1/2" | 1-1/4" | 256JP |

NOTE: For an explanation of the tabulated material found on this page and for impeller key location, refer to *Supplement A* located at the beginning of this section.



TYPE "B" SINGLE STAGE CENTRIFUGAL PUMP Electric Motor Drive

| | |
|---------------------|-----------------|
| Section | CC |
| Page | 60.2 |
| Date | January 1, 2004 |
| Supersedes 6/1/1995 | |

BRONZE IMPELLER

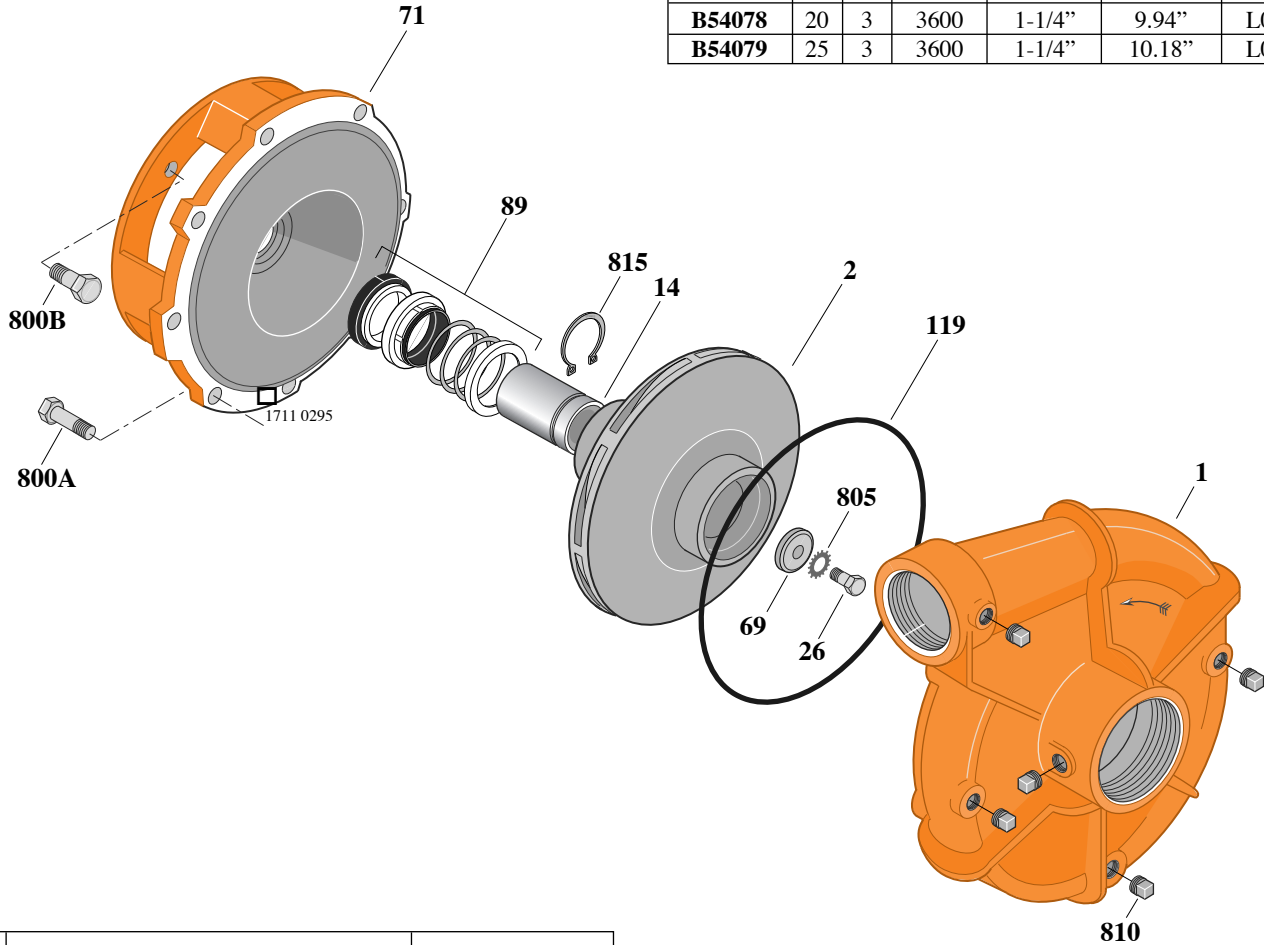
B1-1/2EPLS

Threaded Case (NPT)

Mechanical Shaft Seal Construction

TABLE I

| B/M No. | HP | PH | RPM | "U" Dim. | Imp. Dia. | Imp. No. |
|---------|----|----|------|----------|-----------|----------|
| B54078 | 20 | 3 | 3600 | 1-1/4" | 9.94" | L06114 |
| B54079 | 25 | 3 | 3600 | 1-1/4" | 10.18" | L06115 |



| Item No. | Part Description | Part Number |
|----------|--------------------------------------|--------------|
| 1 | Case, Volute | L03093 |
| 2 | Impeller | See Table I |
| 14 | Sleeve, Shaft | S18869 |
| 26 | Screw, Impeller 1/2 - 13 x 1" | S23619 |
| 32 | Key, 1/4 x 2-1/4" (See Note) | S23677 |
| 69 | Washer, Impeller | S12475 |
| 71 | Bracket | See Table II |
| 89 | Seal, Mechanical Shaft | S32015 |
| 119 | O-Ring | S13760 |
| 800A | Capscrew, 1/2 - 13 x 1-1/4" (8 Req.) | S26914 |
| 800B | Capscrew, 1/2 - 13 x 1" (4 Req.) | S26912 |
| 805 | Washer, Lock | S23038 |
| 810 | Plug, Pipe (5 Req.) | S23715 |
| 815 | Ring, Retaining | S16767 |

TABLE II

| HP | PH | Bracket No. | "AK" Fit | "U" Dim. | Motor Frame |
|----|----|-------------|----------|----------|-------------|
| 20 | 3 | L04616 | 8-1/2" | 1-1/4" | 254JM |
| 25 | 3 | L04616 | 8-1/2" | 1-1/4" | 256JM |

NOTE: For an explanation of the tabulated material found on this page and for impeller key location, refer to *Supplement A* located at the beginning of this section.



TYPE "B" SINGLE STAGE CENTRIFUGAL PUMP Electric Motor Drive

| | |
|----------------|-------------------|
| Section | CC |
| Page | 60.3 |
| Date | September 1, 1997 |
| Supersedes/New | |

SILICON BRONZE IMPELLER

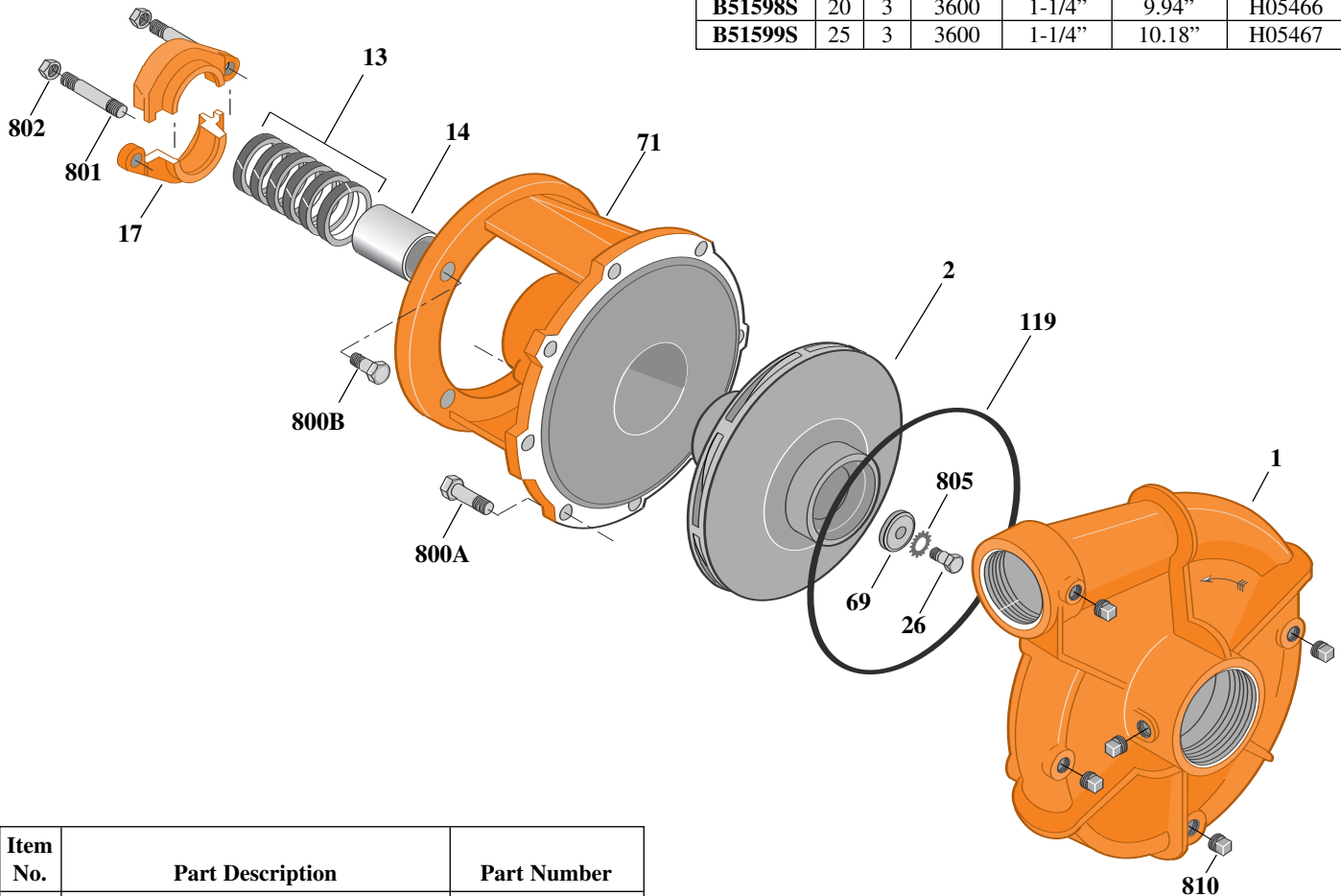
B1-1/2EPL

Threaded Case (NPT)

Packing Construction

TABLE I

| B/M No. | HP | PH | RPM | "U" Dim. | Imp. Dia. | Imp. No. |
|---------|----|----|------|----------|-----------|----------|
| B51598S | 20 | 3 | 3600 | 1-1/4" | 9.94" | H05466 |
| B51599S | 25 | 3 | 3600 | 1-1/4" | 10.18" | H05467 |



| Item No. | Part Description | Part Number |
|----------|--------------------------------------|--------------|
| 1 | Case, Volute | L03093 |
| 2 | Impeller | See Table I |
| 13 | Rings, Packing (Set of 6) | S13470 |
| 14 | Sleeve, Shaft | S05149 |
| 17 | Gland, Packing | S12034 |
| 26 | Screw, Impeller 1/2 - 13 x 1" | S23619 |
| 32 | Key, 1/4 x 2-1/4" (See Note) | S23677 |
| 69 | Washer, Impeller | S12475 |
| 71 | Bracket | See Table II |
| 119 | O-Ring | S13760 |
| 800A | Capscrew, 1/2 - 13 x 1-1/4" (8 Req.) | S26914 |
| 800B | Capscrew, 1/2 - 13 x 1-1/2" (4 Req.) | S26916 |
| 801 | Stud, 3/8 - 16 x 2-1/2" (2 Req.) | S04438 |
| 802 | Nut, Hex 3/8 - 16 (2 Req.) | S23343 |
| 805 | Washer, Lock | S23038 |
| 810 | Plug, Pipe 1/4" NPT (6 Req.) | S23715 |

TABLE II

| HP | PH | Bracket No. | "AK" Fit | "U" Dim. | Motor Frame |
|----|----|-------------|----------|----------|-------------|
| 20 | 3 | L03637 | 8-1/2" | 1-1/4" | 254JP |
| 25 | 3 | L03637 | 8-1/2" | 1-1/4" | 256JP |

NOTE: For an explanation of the tabulated material found on this page and for impeller key location, refer to *Supplement A* located at the beginning of this section.



TYPE "B" SINGLE STAGE CENTRIFUGAL PUMP Electric Motor Drive

| | |
|---------------------|-----------------|
| Section | CC |
| Page | 60.4 |
| Date | January 1, 2004 |
| Supersedes 9/1/1997 | |

SILICON BRONZE IMPELLER

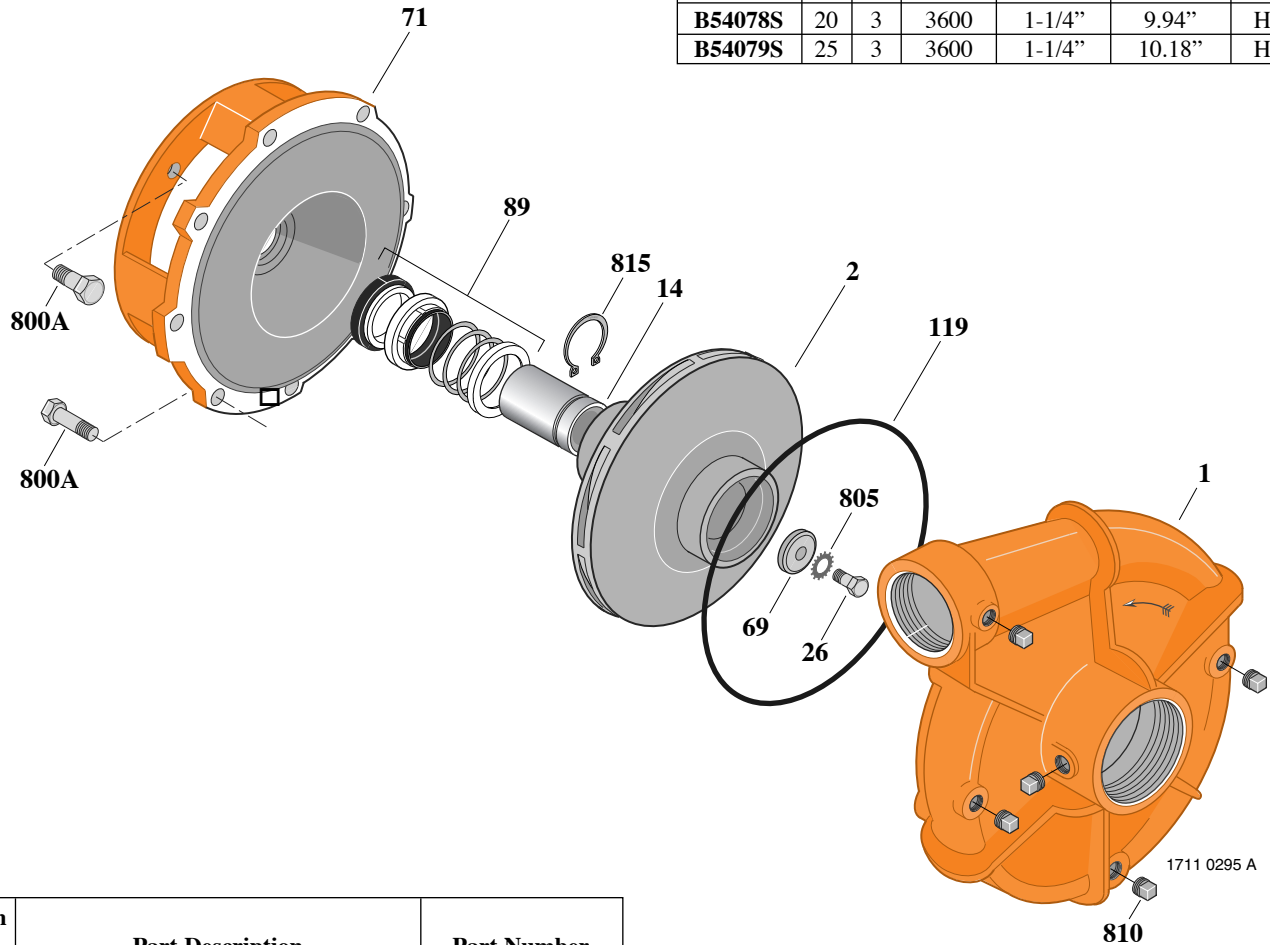
B1-1/2EPLS

Threaded Case (NPT)

Mechanical Shaft Seal Construction

TABLE I

| B/M No. | HP | PH | RPM | "U" Dim. | Imp. Dia. | Imp. No. |
|---------|----|----|------|----------|-----------|----------|
| B54078S | 20 | 3 | 3600 | 1-1/4" | 9.94" | H05466 |
| B54079S | 25 | 3 | 3600 | 1-1/4" | 10.18" | H05467 |



| Item No. | Part Description | Part Number |
|----------|---------------------------------------|--------------|
| 1 | Case, Volute | L03093 |
| 2 | Impeller | See Table I |
| 14 | Sleeve, Shaft | S18869 |
| 26 | Screw, Impeller 1/2 - 13 x 1" | S23619 |
| 32 | Key, 1/4 x 2-1/4" (See Note) | S23677 |
| 69 | Washer, Impeller | S12475 |
| 71 | Bracket | See Table II |
| 89 | Seal, Mechanical Shaft | S32015 |
| 119 | O-Ring | S13760 |
| 800A | Capscrew, 1/2 - 13 x 1-1/4" (12 Req.) | S26912 |
| 805 | Washer, Lock | S23038 |
| 810 | Plug, Pipe 1/4" NPT (6 Req.) | S23715 |
| 815 | Ring, Retaining | S16767 |
| • | Plug, Pipe 1/8" NPT (In Bracket) | S23714 |

• Not illustrated.

TABLE II

| HP | PH | Bracket No. | "AK" Fit | "U" Dim. | Motor Frame |
|----|----|-------------|----------|----------|-------------|
| 20 | 3 | L04616 | 8-1/2" | 1-1/4" | 254JM |
| 25 | 3 | L04616 | 8-1/2" | 1-1/4" | 256JM |

NOTE: For an explanation of the tabulated material found on this page and for impeller key location, refer to *Supplement A* located at the beginning of this section.

NOTE: For seal flush line details, see *Supplement D*.



TYPE "B" SINGLE STAGE CENTRIFUGAL PUMP Electric Motor Drive

| | |
|-------------------|-----------------|
| Section | CC |
| Page | 70.1 |
| Date | January 1, 2004 |
| Supersedes 6/1/95 | |

CAST IRON IMPELLER

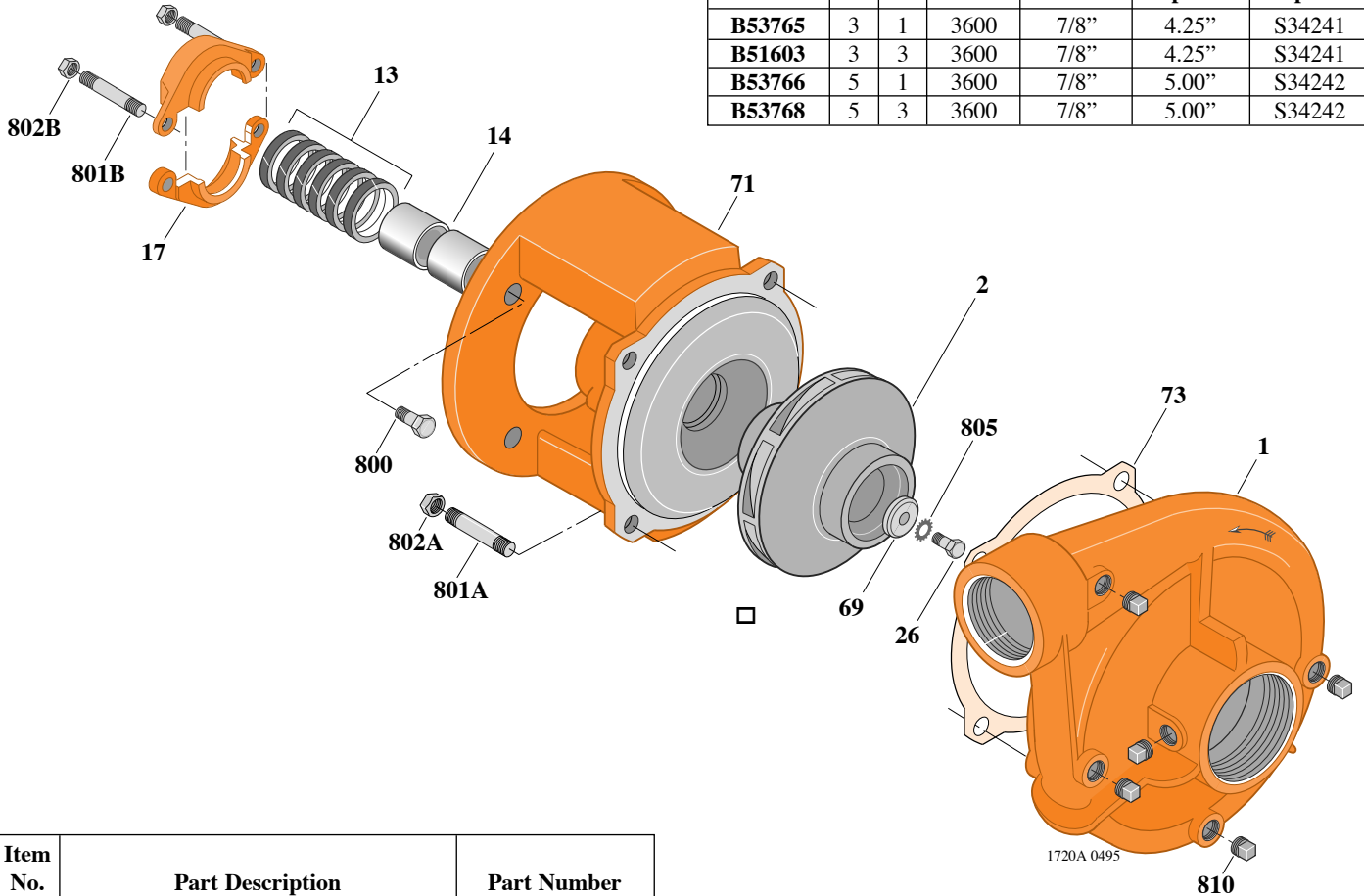
B2TPM

Threaded Case (NPT)

Packing Construction

TABLE I

| B/M No. | HP | PH | RPM | "U" Dim. | Imp. Dia. | Imp. No. |
|---------------|----|----|------|----------|-----------|----------|
| B53765 | 3 | 1 | 3600 | 7/8" | 4.25" | S34241 |
| B51603 | 3 | 3 | 3600 | 7/8" | 4.25" | S34241 |
| B53766 | 5 | 1 | 3600 | 7/8" | 5.00" | S34242 |
| B53768 | 5 | 3 | 3600 | 7/8" | 5.00" | S34242 |



| Item No. | Part Description | Part Number |
|----------|------------------------------------|--------------|
| 1 | Case, Volute | L01022 |
| 2 | Impeller | See Table I |
| 13 | Rings, Packing (Set of 6) | S13469 |
| 14 | Sleeve, Shaft (2 Req.) | S00619 |
| 17 | Gland, Packing | B82469 |
| 26 | Screw, Impeller 3/8 - 16 x 1" | S23566 |
| 32 | Key, 3/16 x 1-1/4" (See Note) | S34383 |
| 69 | Washer, Impeller | S06314 |
| 71 | Bracket | See Table II |
| 73 | Gasket, Volute | S04757 |
| 800 | Capscrew, 3/8 - 16 x 7/8" (4 Req.) | S26825 |
| 801A | Stud, 1/2 - 13 x 1-1/2" (4 Req.) | S24043 |
| 801B | Stud, 3/8 - 16 x 4" (2 Req.) | S08303 |
| 802A | Nut, Hex 1/2 - 13 (4 Req.) | S23107 |
| 802B | Nut, Hex 3/8 - 16 (2 Req.) | S23343 |
| 805 | Washer, Lock | S23036 |
| 810 | Plug, Pipe 1/4 NPT (4 Req.) | S23715 |

TABLE II

| HP | PH | Bracket No. | "AK" Fit | "U" Dim. | Motor Frame |
|----|----|-------------|----------|----------|-------------|
| 3 | 1 | L01525 | 4-1/2" | 7/8" | 182JP |
| 3 | 3 | L01525 | 4-1/2" | 7/8" | 145JP |
| 5 | 1 | L01525 | 4-1/2" | 7/8" | 184JP |
| 5 | 3 | L01525 | 4-1/2" | 7/8" | 182JP |

NOTE: For an explanation of the tabulated material found on this page and for impeller key location, refer to *Supplement A* located at the beginning of this section.



TYPE "B" SINGLE STAGE CENTRIFUGAL PUMP Electric Motor Drive

| | |
|-------------------|-----------------|
| Section | CC |
| Page | 70.2 |
| Date | January 1, 2004 |
| Supersedes 6/1/95 | |

CAST IRON IMPELLER

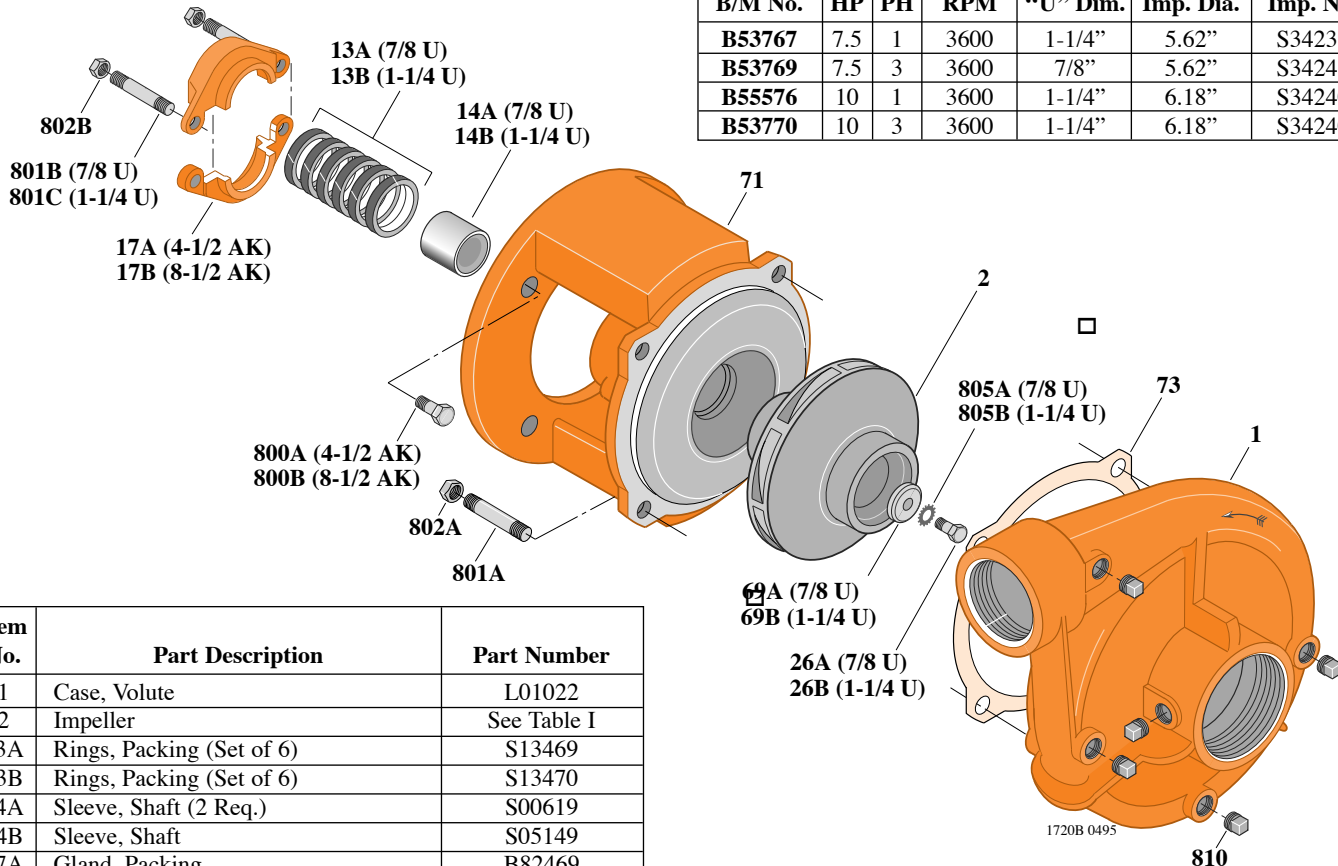
B2TPM

Threaded Case (NPT)

Packing Construction

TABLE I

| B/M No. | HP | PH | RPM | "U" Dim. | Imp. Dia. | Imp. No. |
|---------------|-----|----|------|----------|-----------|----------|
| B53767 | 7.5 | 1 | 3600 | 1-1/4" | 5.62" | S34239 |
| B53769 | 7.5 | 3 | 3600 | 7/8" | 5.62" | S34243 |
| B55576 | 10 | 1 | 3600 | 1-1/4" | 6.18" | S34240 |
| B53770 | 10 | 3 | 3600 | 1-1/4" | 6.18" | S34240 |



| Item No. | Part Description | Part Number |
|----------|------------------------------------|--------------|
| 1 | Case, Volute | L01022 |
| 2 | Impeller | See Table I |
| 13A | Rings, Packing (Set of 6) | S13469 |
| 13B | Rings, Packing (Set of 6) | S13470 |
| 14A | Sleeve, Shaft (2 Req.) | S00619 |
| 14B | Sleeve, Shaft | S05149 |
| 17A | Gland, Packing | B82469 |
| 17B | Gland, Packing | B82470 |
| 26A | Screw, Impeller 3/8 - 16 x 1" | S23566 |
| 26B | Screw, Impeller 1/2 - 13 x 1-1/4" | S23621 |
| 32A | Key, 3/16 x 1-1/4" (See Note) | S34383 |
| 32B | Key, 1/4 x 2-1/4" (See Note) | S23677 |
| 69A | Washer, Impeller | S06314 |
| 69B | Washer, Impeller | S06317 |
| 71 | Bracket | See Table II |
| 73 | Gasket, Volute | S04757 |
| 800A | Capscrew, 3/8 - 16 x 7/8" (4 Req.) | S26825 |
| 800B | Capscrew, 1/2 - 13 x 1" (4 Req.) | S26912 |
| 801A | Stud, 1/2 - 13 x 1-1/2" (4 Req.) | S24043 |
| 801B | Stud, 3/8 - 16 x 4" (2 Req.) | S08303 |
| 801C | Stud, 3/8 - 16 x 3-1/2" (2 Req.) | S04441 |
| 802A | Nut, Hex 1/2 - 13 (4 Req.) | S23107 |
| 802B | Nut, Hex 3/8 - 16 (2 Req.) | S23343 |
| 805A | Washer, Lock | S23036 |
| 805B | Washer, Lock | S23038 |
| 810 | Plug, Pipe 1/4 NPT (4 Req.) | S23715 |

TABLE II

| HP | PH | Bracket No. | "AK" Fit | "U" Dim. | Motor Frame |
|-----|----|-------------|----------|----------|-------------|
| 7.5 | 1 | L01951 | 8-1/2" | 1-1/4" | 213JP |
| 7.5 | 3 | L01525 | 4-1/2" | 7/8" | 184JP |
| 10 | 1 | L01591 | 8-1/2" | 1-1/4" | 215JP |
| 10 | 3 | L01591 | 8-1/2" | 1-1/4" | 213JP |

NOTE: For an explanation of the tabulated material found on this page and for impeller key location, refer to *Supplement A* located at the beginning of this section.



TYPE "B" SINGLE STAGE CENTRIFUGAL PUMP Electric Motor Drive

| | |
|-------------------|-----------------|
| Section | CC |
| Page | 70.3 |
| Date | January 1, 2004 |
| Supersedes 6/1/95 | |

CAST IRON IMPELLER

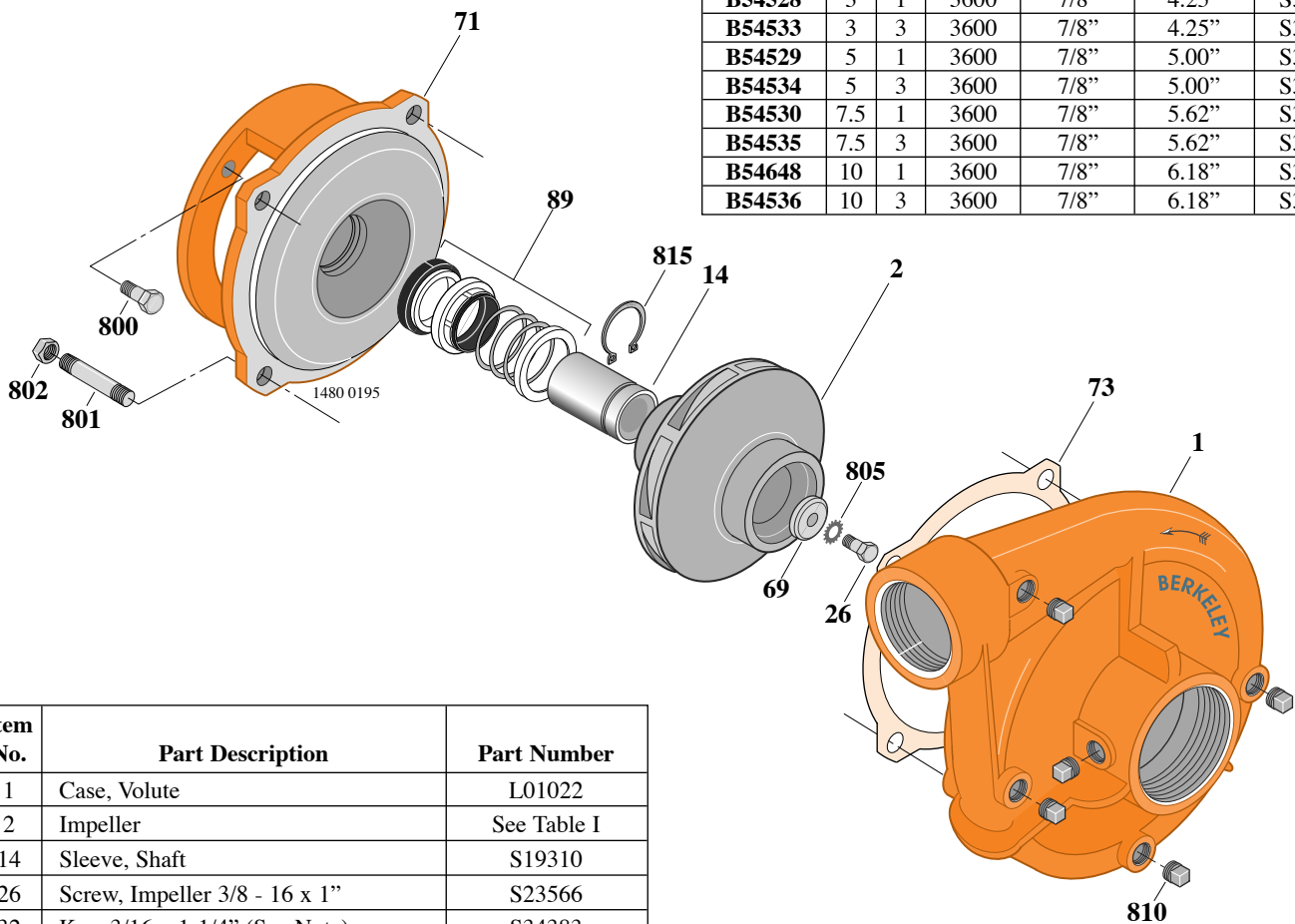
B2TPMS

Threaded Case (NPT)

Mechanical Shaft Seal Construction

TABLE I

| B/M No. | HP | PH | RPM | "U" Dim. | Imp. Dia. | Imp. No. |
|---------|-----|----|------|----------|-----------|----------|
| B54528 | 3 | 1 | 3600 | 7/8" | 4.25" | S34241 |
| B54533 | 3 | 3 | 3600 | 7/8" | 4.25" | S34241 |
| B54529 | 5 | 1 | 3600 | 7/8" | 5.00" | S34242 |
| B54534 | 5 | 3 | 3600 | 7/8" | 5.00" | S34242 |
| B54530 | 7.5 | 1 | 3600 | 7/8" | 5.62" | S34243 |
| B54535 | 7.5 | 3 | 3600 | 7/8" | 5.62" | S34243 |
| B54648 | 10 | 1 | 3600 | 7/8" | 6.18" | S34279 |
| B54536 | 10 | 3 | 3600 | 7/8" | 6.18" | S34279 |



| Item No. | Part Description | Part Number |
|----------|--|--------------|
| 1 | Case, Volute | L01022 |
| 2 | Impeller | See Table I |
| 14 | Sleeve, Shaft | S19310 |
| 26 | Screw, Impeller 3/8 - 16 x 1" | S23566 |
| 32 | Key, 3/16 x 1-1/4" (See Note) | S34383 |
| 69 | Washer, Impeller | S06314 |
| 71 | Bracket | See Table II |
| 73 | Gasket, Volute | S04757 |
| 89 | Seal, Mechanical Shaft | S32014 |
| 800 | Capscrew, 3/8 - 16 x 1" (4 Req.) (For 4-1/2 AK) | S26826 |
| 800 | Capscrew, 1/2 - 13 x 1" (4 Req.) (For 8-1/2 AK) | S26912 |
| 801 | Stud, 1/2 - 13 x 1-1/2" (4 Req.) | S24043 |
| 802 | Nut, 1/2 x 13 (4 Req.) | S23107 |
| 805 | Washer, Lock | S23036 |
| 810 | Plug, Pipe 1/4 NPT (4 Req.) | S23715 |
| 815 | Ring, Retaining | S11207 |

TABLE II

| HP | PH | Bracket No. | "AK" Fit | "U" Dim. | Motor Frame |
|-----|----|-------------|----------|----------|-------------|
| 3 | 1 | L05329 | 4-1/2" | 7/8" | 182JM |
| 3 | 3 | L05329 | 4-1/2" | 7/8" | 145JM |
| 5 | 1 | L05329 | 4-1/2" | 7/8" | 184JM |
| 5 | 3 | L05329 | 4-1/2" | 7/8" | 182JM |
| 7.5 | 1 | L05328 | 8-1/2" | 7/8" | 213JM |
| 7.5 | 3 | L05329 | 4-1/2" | 7/8" | 184JM |
| 10 | 1 | L05328 | 8-1/2" | 7/8" | 215JM |
| 10 | 3 | L05328 | 8-1/2" | 7/8" | 213JM |

NOTE: For an explanation of the tabulated material found on this page and for impeller key location, refer to *Supplement A* located at the beginning of this section.



TYPE "B" SINGLE STAGE CENTRIFUGAL PUMP Electric Motor Drive

| | |
|-------------------|-----------------|
| Section | CC |
| Page | 70.4 |
| Date | January 1, 2004 |
| Supersedes 6/1/95 | |

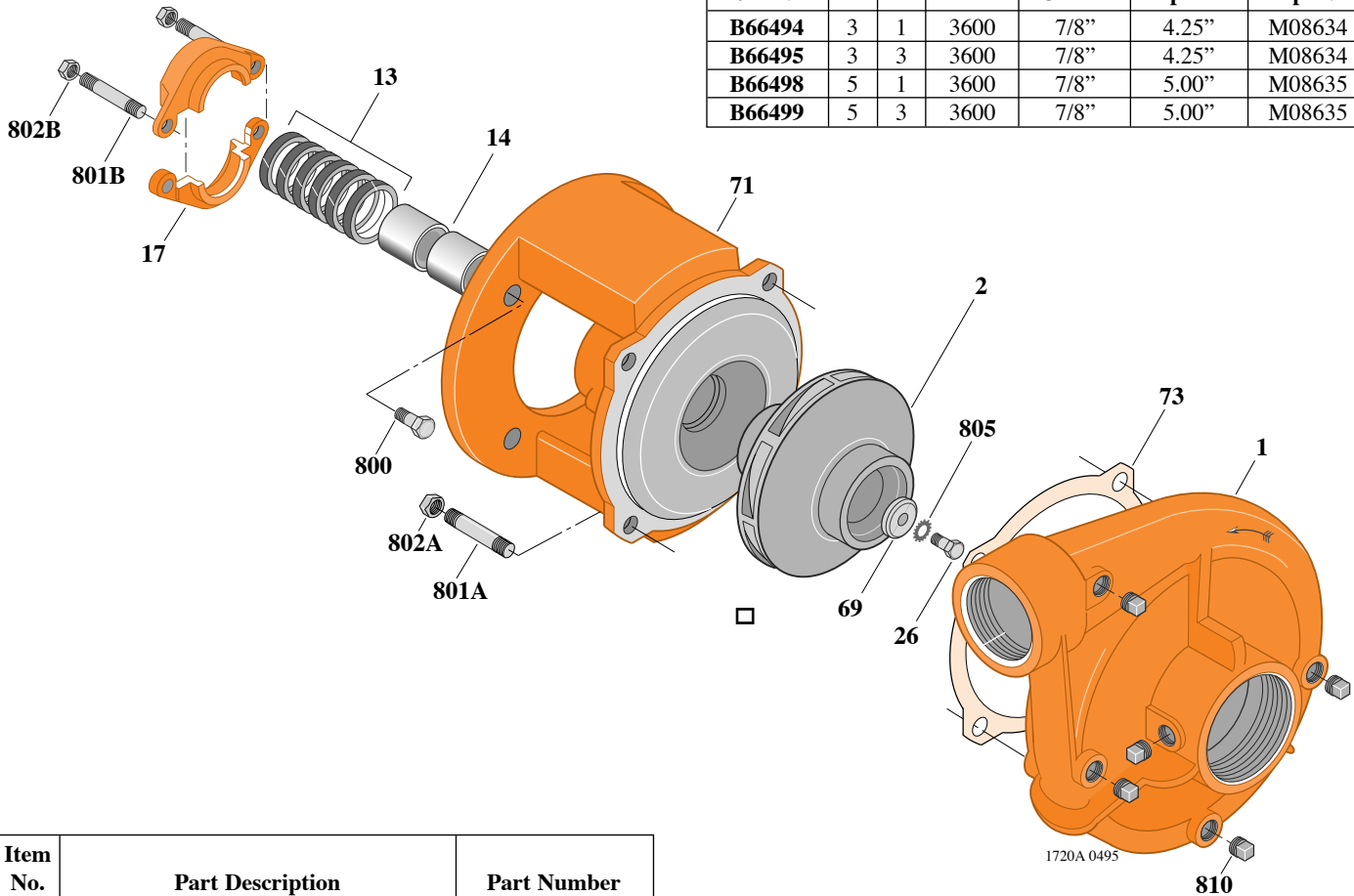
BRONZE IMPELLER B2TPM

Threaded Case (NPT)

Packing Construction

TABLE I

| B/M No. | HP | PH | RPM | "U" Dim. | Imp. Dia. | Imp. No. |
|---------------|----|----|------|----------|-----------|----------|
| B66494 | 3 | 1 | 3600 | 7/8" | 4.25" | M08634 |
| B66495 | 3 | 3 | 3600 | 7/8" | 4.25" | M08634 |
| B66498 | 5 | 1 | 3600 | 7/8" | 5.00" | M08635 |
| B66499 | 5 | 3 | 3600 | 7/8" | 5.00" | M08635 |



| Item No. | Part Description | Part Number |
|----------|------------------------------------|--------------|
| 1 | Case, Volute | L01022 |
| 2 | Impeller | See Table I |
| 13 | Rings, Packing (Set of 6) | S13469 |
| 14 | Sleeve, Shaft (2 Req.) | S00619 |
| 17 | Gland, Packing | B82469 |
| 26 | Screw, Impeller 3/8 - 16 x 1" | S23566 |
| 32 | Key, 3/16 x 1-1/4" (See Note) | S34383 |
| 69 | Washer, Impeller | S06314 |
| 71 | Bracket | See Table II |
| 73 | Gasket, Volute | S04757 |
| 800 | Capscrew, 3/8 - 16 x 7/8" (4 Req.) | S26825 |
| 801A | Stud, 1/2 - 13 x 1-1/2" (4 Req.) | S24043 |
| 801B | Stud, 3/8 - 16 x 4" (2 Req.) | S08303 |
| 802A | Nut, Hex 1/2 - 13 (4 Req.) | S23107 |
| 802B | Nut, Hex 3/8 - 16 (2 Req.) | S23343 |
| 805 | Washer, Lock | S23036 |
| 810 | Plug, Pipe 1/4 NPT (4 Req.) | S23715 |

TABLE II

| HP | PH | Bracket No. | "AK" Fit | "U" Dim. | Motor Frame |
|----|----|-------------|----------|----------|-------------|
| 3 | 1 | L01525 | 4-1/2" | 7/8" | 182JP |
| 3 | 3 | L01525 | 4-1/2" | 7/8" | 145JP |
| 5 | 1 | L01525 | 4-1/2" | 7/8" | 184JP |
| 5 | 3 | L01525 | 4-1/2" | 7/8" | 182JP |

NOTE: For an explanation of the tabulated material found on this page and for impeller key location, refer to *Supplement A* located at the beginning of this section.



TYPE "B" SINGLE STAGE CENTRIFUGAL PUMP Electric Motor Drive

| | |
|-------------------|-----------------|
| Section | CC |
| Page | 70.5 |
| Date | January 1, 2004 |
| Supersedes 6/1/95 | |

BRONZE IMPELLER

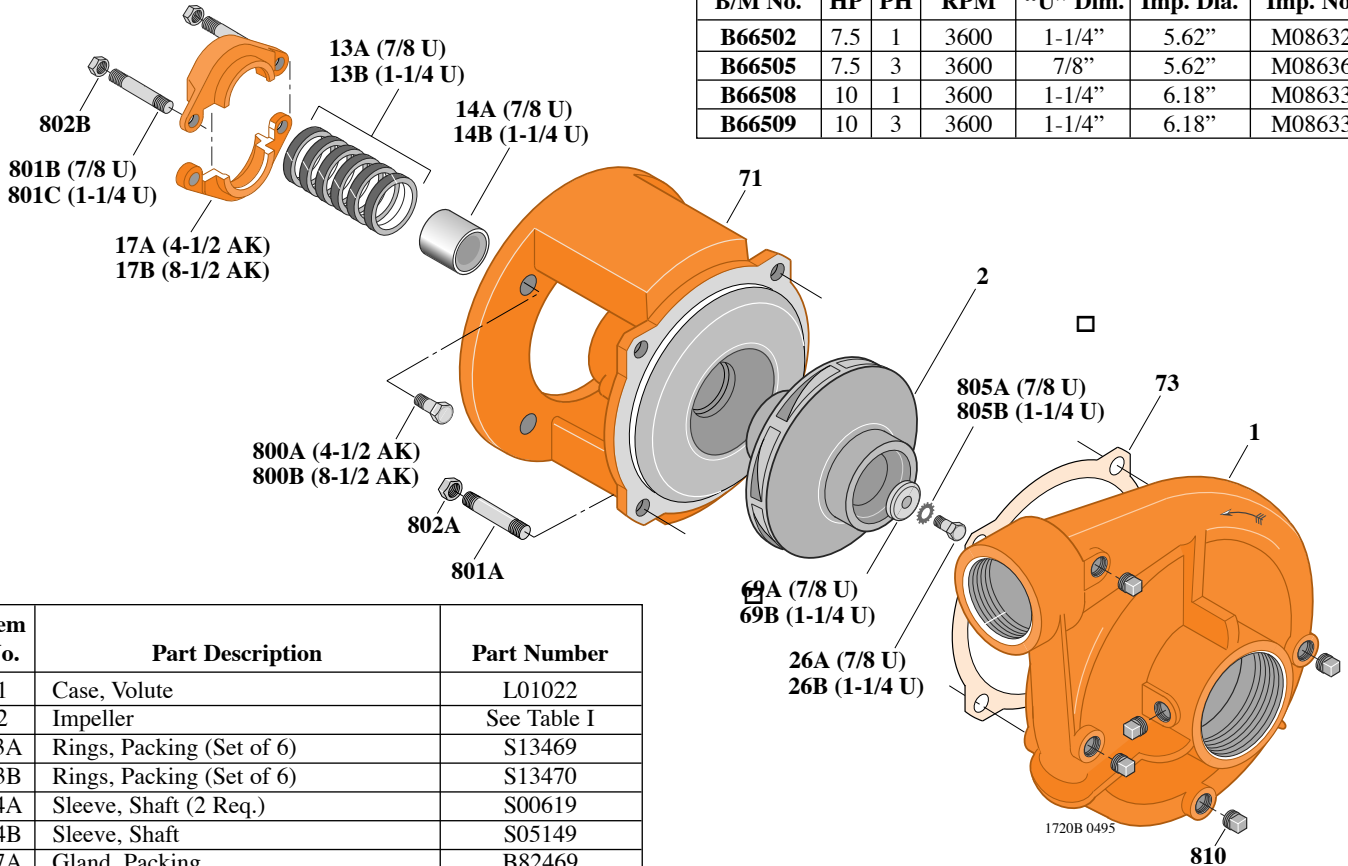
B2TPM

Threaded Case (NPT)

Packing Construction

TABLE I

| B/M No. | HP | PH | RPM | "U" Dim. | Imp. Dia. | Imp. No. |
|---------|-----|----|------|----------|-----------|----------|
| B66502 | 7.5 | 1 | 3600 | 1-1/4" | 5.62" | M08632 |
| B66505 | 7.5 | 3 | 3600 | 7/8" | 5.62" | M08636 |
| B66508 | 10 | 1 | 3600 | 1-1/4" | 6.18" | M08633 |
| B66509 | 10 | 3 | 3600 | 1-1/4" | 6.18" | M08633 |



| Item No. | Part Description | Part Number |
|----------|------------------------------------|--------------|
| 1 | Case, Volute | L01022 |
| 2 | Impeller | See Table I |
| 13A | Rings, Packing (Set of 6) | S13469 |
| 13B | Rings, Packing (Set of 6) | S13470 |
| 14A | Sleeve, Shaft (2 Req.) | S00619 |
| 14B | Sleeve, Shaft | S05149 |
| 17A | Gland, Packing | B82469 |
| 17B | Gland, Packing | B82470 |
| 26A | Screw, Impeller 3/8 - 16 x 1" | S23566 |
| 26B | Screw, Impeller 1/2 - 13 x 1-1/4" | S23621 |
| 32A | Key, 3/16 x 1-1/4" (See Note) | S34383 |
| 32B | Key, 1/4 x 2-1/4" (See Note) | S23677 |
| 69A | Washer, Impeller | S06314 |
| 69B | Washer, Impeller | S06317 |
| 71 | Bracket | See Table II |
| 73 | Gasket, Volute | S04757 |
| 800A | Capscrew, 3/8 - 16 x 7/8" (4 Req.) | S26825 |
| 800B | Capscrew, 1/2 - 13 x 1" (4 Req.) | S26912 |
| 801A | Stud, 1/2 - 13 x 1-1/2" (4 Req.) | S24043 |
| 801B | Stud, 3/8 - 16 x 4" (2 Req.) | S08303 |
| 801C | Stud, 3/8 - 16 x 3-1/2" (2 Req.) | S04441 |
| 802A | Nut, Hex 1/2 - 13 (4 Req.) | S23107 |
| 802B | Nut, Hex 3/8 - 16 (2 Req.) | S23343 |
| 805A | Washer, Lock | S23036 |
| 805B | Washer, Lock | S23038 |
| 810 | Plug, Pipe 1/4 NPT (4 Req.) | S23715 |

TABLE II

| HP | PH | Bracket No. | "AK" Fit | "U" Dim. | Motor Frame |
|-----|----|-------------|----------|----------|-------------|
| 7.5 | 1 | L01951 | 8-1/2" | 1-1/4" | 213JP |
| 7.5 | 3 | L01525 | 4-1/2" | 7/8" | 184JP |
| 10 | 1 | L01951 | 8-1/2" | 1-1/4" | 215JP |
| 10 | 3 | L01951 | 8-1/2" | 1-1/4" | 213JP |

NOTE: For an explanation of the tabulated material found on this page and for impeller key location, refer to *Supplement A* located at the beginning of this section.



TYPE "B" SINGLE STAGE CENTRIFUGAL PUMP Electric Motor Drive

| | |
|-------------------|-----------------|
| Section | CC |
| Page | 70.6 |
| Date | January 1, 2004 |
| Supersedes 6/1/95 | |

BRONZE IMPELLER

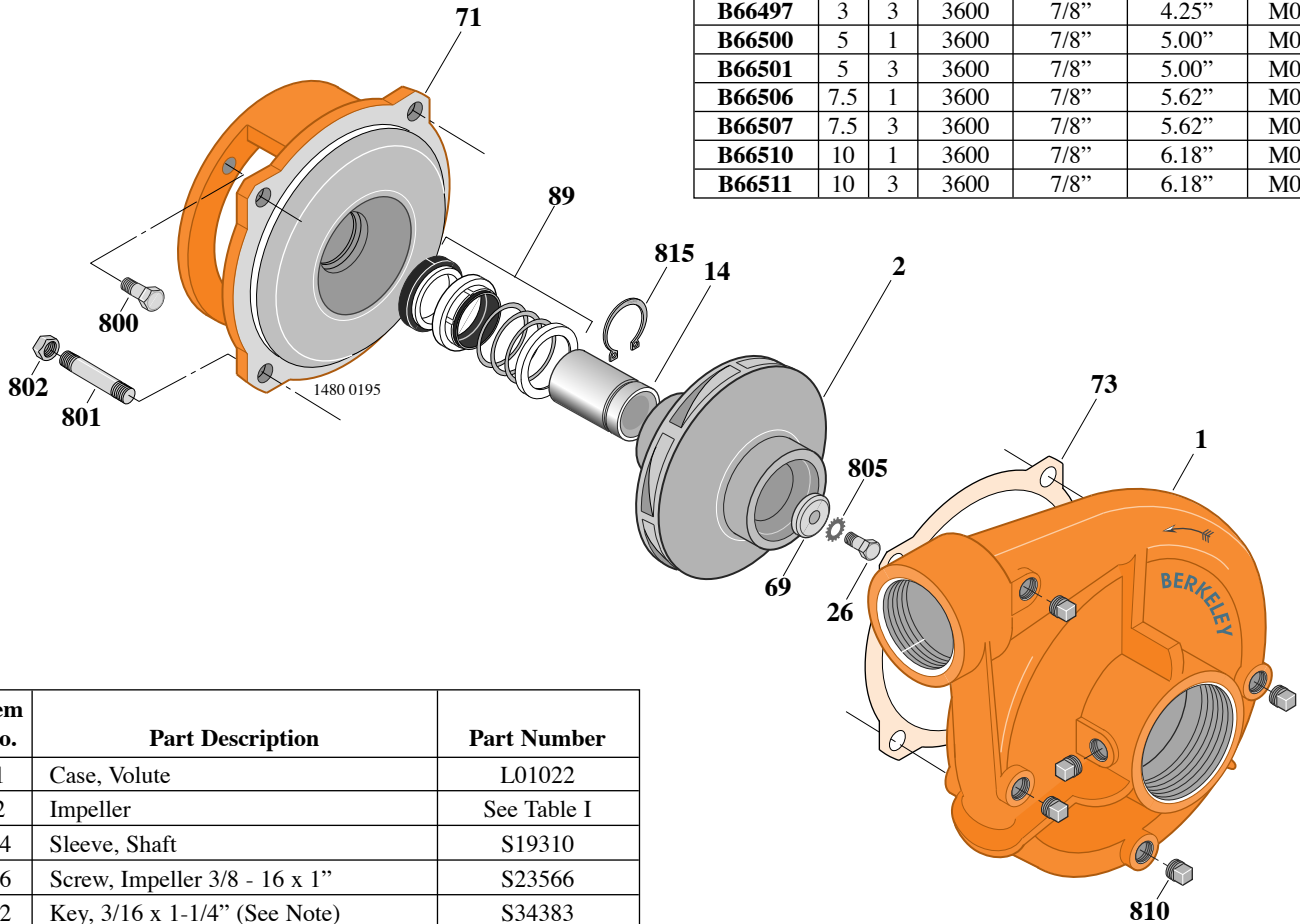
B2TPMS

Threaded Case (NPT)

Mechanical Shaft Seal Construction

TABLE I

| B/M No. | HP | PH | RPM | "U" Dim. | Imp. Dia. | Imp. No. |
|---------------|-----|----|------|----------|-----------|----------|
| B66496 | 3 | 1 | 3600 | 7/8" | 4.25" | M08634 |
| B66497 | 3 | 3 | 3600 | 7/8" | 4.25" | M08634 |
| B66500 | 5 | 1 | 3600 | 7/8" | 5.00" | M08635 |
| B66501 | 5 | 3 | 3600 | 7/8" | 5.00" | M08635 |
| B66506 | 7.5 | 1 | 3600 | 7/8" | 5.62" | M08636 |
| B66507 | 7.5 | 3 | 3600 | 7/8" | 5.62" | M08636 |
| B66510 | 10 | 1 | 3600 | 7/8" | 6.18" | M08637 |
| B66511 | 10 | 3 | 3600 | 7/8" | 6.18" | M08637 |



| Item No. | Part Description | Part Number |
|----------|--|--------------|
| 1 | Case, Volute | L01022 |
| 2 | Impeller | See Table I |
| 14 | Sleeve, Shaft | S19310 |
| 26 | Screw, Impeller 3/8 - 16 x 1" | S23566 |
| 32 | Key, 3/16 x 1-1/4" (See Note) | S34383 |
| 69 | Washer, Impeller | S06314 |
| 71 | Bracket | See Table II |
| 73 | Gasket, Volute | S04757 |
| 89 | Seal, Mechanical Shaft | S32014 |
| 800 | Capscrew, 3/8 - 16 x 1" (4 Req.) (For 4-1/2 AK) | S26826 |
| 800 | Capscrew, 1/2 - 13 x 1" (4 Req.) (For 8-1/2 AK) | S26912 |
| 801 | Stud, 1/2 - 13 x 1-1/2" (4 Req.) | S24043 |
| 802 | Nut, 1/2 x 13 (4 Req.) | S23107 |
| 805 | Washer, Lock | S23036 |
| 810 | Plug, Pipe 1/4 NPT (4 Req.) | S23715 |
| 815 | Ring, Retaining | S11207 |

TABLE II

| HP | PH | Bracket No. | "AK" Fit | "U" Dim. | Motor Frame |
|-----|----|-------------|----------|----------|-------------|
| 3 | 1 | L05329 | 4-1/2" | 7/8" | 182JM |
| 3 | 3 | L05329 | 4-1/2" | 7/8" | 145JM |
| 5 | 1 | L05329 | 4-1/2" | 7/8" | 184JM |
| 5 | 3 | L05329 | 4-1/2" | 7/8" | 182JM |
| 7.5 | 1 | L05328 | 8-1/2" | 7/8" | 213JM |
| 7.5 | 3 | L05329 | 4-1/2" | 7/8" | 184JM |
| 10 | 1 | L05328 | 8-1/2" | 7/8" | 215JM |
| 10 | 3 | L05328 | 8-1/2" | 7/8" | 213JM |

NOTE: For an explanation of the tabulated material found on this page and for impeller key location, refer to *Supplement A* located at the beginning of this section.



TYPE "B" SINGLE STAGE CENTRIFUGAL PUMP Electric Motor Drive

| | |
|-------------------|-----------------|
| Section | CC |
| Page | 70.7 |
| Date | January 1, 2004 |
| Supersedes 9/1/97 | |

SILICON BRONZE IMPELLER

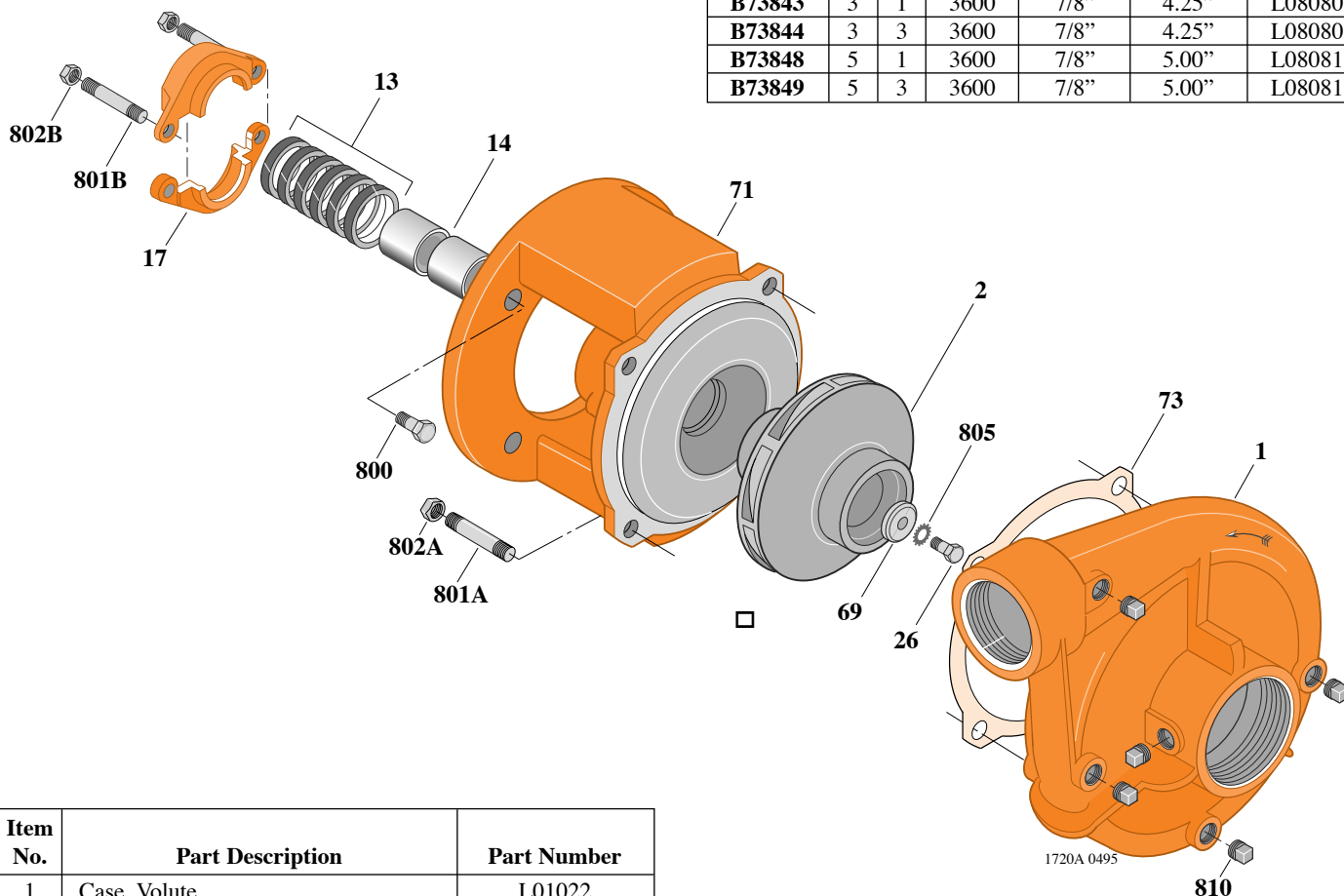
B2TPM

Threaded Case (NPT)

Packing Construction

TABLE I

| B/M No. | HP | PH | RPM | "U" Dim. | Imp. Dia. | Imp. No. |
|---------------|----|----|------|----------|-----------|----------|
| B73843 | 3 | 1 | 3600 | 7/8" | 4.25" | L08080 |
| B73844 | 3 | 3 | 3600 | 7/8" | 4.25" | L08080 |
| B73848 | 5 | 1 | 3600 | 7/8" | 5.00" | L08081 |
| B73849 | 5 | 3 | 3600 | 7/8" | 5.00" | L08081 |



| Item No. | Part Description | Part Number |
|----------|------------------------------------|--------------|
| 1 | Case, Volute | L01022 |
| 2 | Impeller | See Table I |
| 13 | Rings, Packing (Set of 6) | S13469 |
| 14 | Sleeve, Shaft (2 Req.) | S00619 |
| 17 | Gland, Packing | B82469 |
| 26 | Screw, Impeller 3/8 - 16 x 1-1/4" | S23568 |
| 32 | Key, 3/16 x 1-1/4" (See Note) | S34383 |
| 69 | Washer, Impeller | S06314 |
| 71 | Bracket | See Table II |
| 73 | Gasket, Volute | S04757 |
| 800 | Capscrew, 3/8 - 16 x 7/8" (4 Req.) | S26825 |
| 801A | Stud, 1/2 - 13 x 1-1/2" (4 Req.) | S24043 |
| 801B | Stud, 3/8 - 16 x 4" (2 Req.) | S08303 |
| 802A | Nut, Hex 1/2 - 13 (4 Req.) | S23107 |
| 802B | Nut, Hex 3/8 - 16 (2 Req.) | S23343 |
| 805 | Washer, Lock | S23036 |
| 810 | Plug, Pipe 1/4" NPT (5 Req.) | S23715 |

TABLE II

| HP | PH | Bracket No. | "AK" Fit | "U" Dim. | Motor Frame |
|----|----|-------------|----------|----------|-------------|
| 3 | 1 | L01525 | 4-1/2" | 7/8" | 182JP |
| 3 | 3 | L01525 | 4-1/2" | 7/8" | 145JP |
| 5 | 1 | L01525 | 4-1/2" | 7/8" | 184JP |
| 5 | 3 | L01525 | 4-1/2" | 7/8" | 182JP |

NOTE: For an explanation of the tabulated material found on this page and for impeller key location, refer to *Supplement A* located at the beginning of this section.



TYPE "B" SINGLE STAGE CENTRIFUGAL PUMP Electric Motor Drive

| | |
|-------------------|-----------------|
| Section | CC |
| Page | 70.8 |
| Date | January 1, 2004 |
| Supersedes 9/1/97 | |

SILICON BRONZE IMPELLER

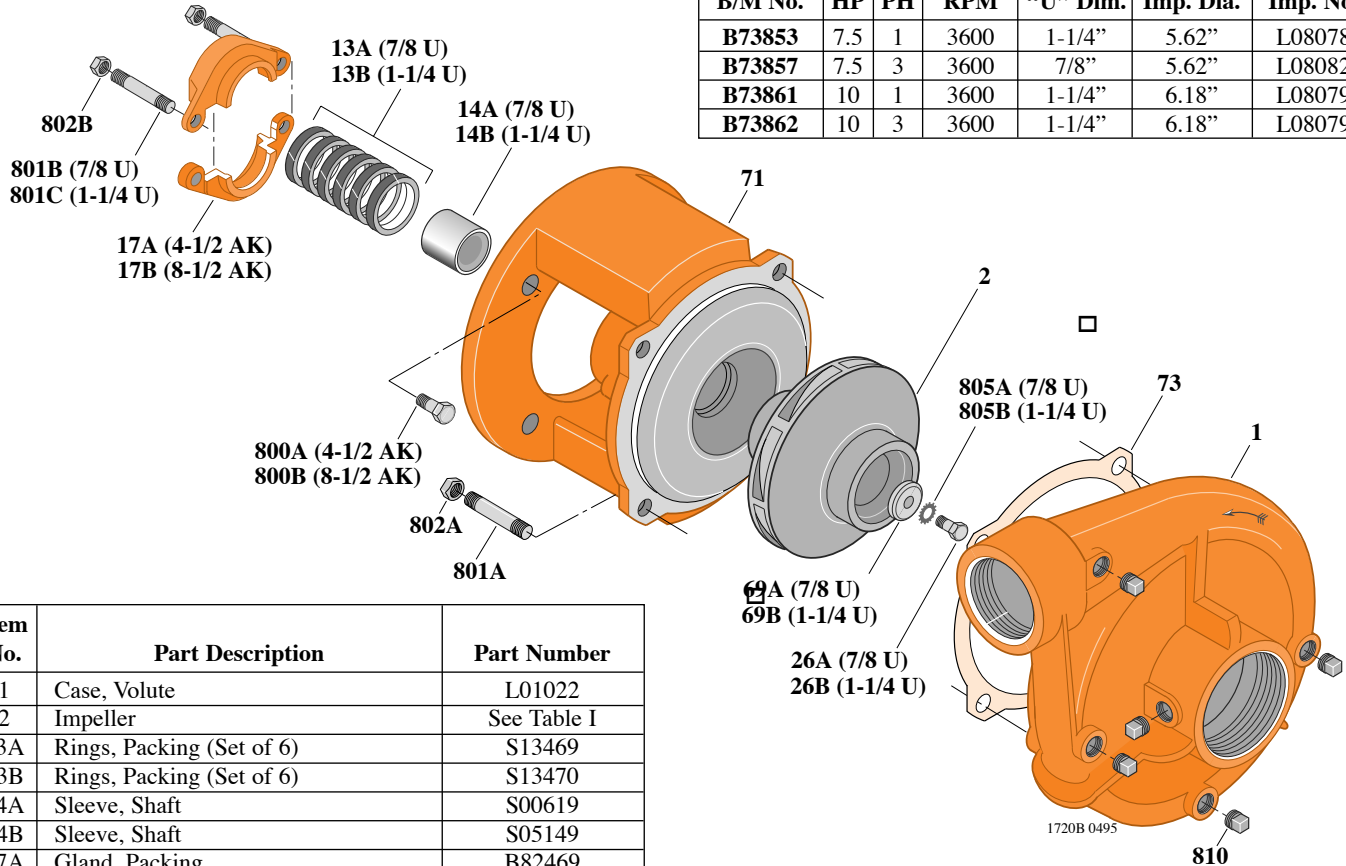
B2TPM

Threaded Case (NPT)

Packing Construction

TABLE I

| B/M No. | HP | PH | RPM | "U" Dim. | Imp. Dia. | Imp. No. |
|---------|-----|----|------|----------|-----------|----------|
| B73853 | 7.5 | 1 | 3600 | 1-1/4" | 5.62" | L08078 |
| B73857 | 7.5 | 3 | 3600 | 7/8" | 5.62" | L08082 |
| B73861 | 10 | 1 | 3600 | 1-1/4" | 6.18" | L08079 |
| B73862 | 10 | 3 | 3600 | 1-1/4" | 6.18" | L08079 |



| Item No. | Part Description | Part Number |
|----------|------------------------------------|--------------|
| 1 | Case, Volute | L01022 |
| 2 | Impeller | See Table I |
| 13A | Rings, Packing (Set of 6) | S13469 |
| 13B | Rings, Packing (Set of 6) | S13470 |
| 14A | Sleeve, Shaft | S00619 |
| 14B | Sleeve, Shaft | S05149 |
| 17A | Gland, Packing | B82469 |
| 17B | Gland, Packing | B82470 |
| 26A | Screw, Impeller 3/8 - 16 x 1" | S23566 |
| 26B | Screw, Impeller 1/2 - 13 x 1-1/4" | S23621 |
| 32A | Key, 3/16 x 1-1/4" (See Note) | S34383 |
| 32B | Key, 1/4 x 2-1/4" (See Note) | S23677 |
| 69A | Washer, Impeller | S06314 |
| 69B | Washer, Impeller | S06317 |
| 71 | Bracket | See Table II |
| 73 | Gasket, Volute | S04757 |
| 800A | Capscrew, 3/8 - 16 x 7/8" (4 Req.) | S26825 |
| 800B | Capscrew, 1/2 - 13 x 1" (4 Req.) | S26912 |
| 801A | Stud, 1/2 - 13 x 1-1/2" (4 Req.) | S24043 |
| 801B | Stud, 3/8 - 16 x 4" (2 Req.) | S08303 |
| 801C | Stud, 3/8 - 16 x 3-1/2" (2 Req.) | S04441 |
| 802A | Nut, Hex 1/2 - 13 (4 Req.) | S23107 |
| 802B | Nut, Hex 3/8 - 16 (2 Req.) | S23343 |
| 805A | Washer, Lock | S23036 |
| 805B | Washer, Lock | S23038 |
| 810 | Plug, Pipe 1/4" NPT (5 Req.) | S23715 |

TABLE II

| HP | PH | Bracket No. | "AK" Fit | "U" Dim. | Motor Frame |
|-----|----|-------------|----------|----------|-------------|
| 7.5 | 1 | L01951 | 8-1/2" | 1-1/4" | 213JP |
| 7.5 | 3 | L01525 | 4-1/2" | 7/8" | 184JP |
| 10 | 1 | L01951 | 8-1/2" | 1-1/4" | 215JP |
| 10 | 3 | L01951 | 8-1/2" | 1-1/4" | 213JP |

NOTE: For an explanation of the tabulated material found on this page and for impeller key location, refer to *Supplement A* located at the beginning of this section.



TYPE "B" SINGLE STAGE CENTRIFUGAL PUMP Electric Motor Drive

| | |
|-------------------|--------------|
| Section | CC |
| Page | 70.9 |
| Date | May 15, 2009 |
| Supersedes 1/1/04 | |

SILICON BRONZE IMPELLER

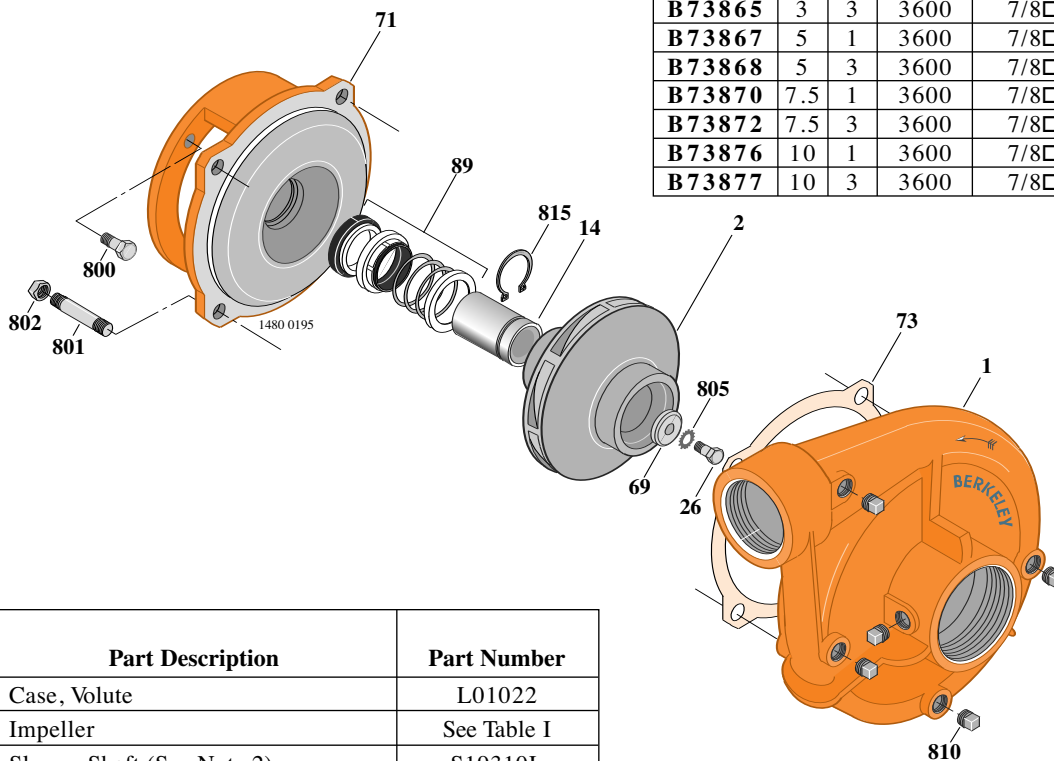
B2TPMS

Threaded Case (NPT)

Mechanical Shaft Seal Construction

TABLE I

| B/M No. | HP | PH | RPM | "U" Dim. | Imp. Dia. | Imp. No. |
|---------------|-----|----|------|----------|-----------|----------|
| B73864 | 3 | 1 | 3600 | 7/8□ | 4.25□ | L08080 |
| B73865 | 3 | 3 | 3600 | 7/8□ | 4.25□ | L08080 |
| B73867 | 5 | 1 | 3600 | 7/8□ | 5.00□ | L08081 |
| B73868 | 5 | 3 | 3600 | 7/8□ | 5.00□ | L08081 |
| B73870 | 7.5 | 1 | 3600 | 7/8□ | 5.62□ | L08082 |
| B73872 | 7.5 | 3 | 3600 | 7/8□ | 5.62□ | L08082 |
| B73876 | 10 | 1 | 3600 | 7/8□ | 6.18□ | L08083 |
| B73877 | 10 | 3 | 3600 | 7/8□ | 6.18□ | L08083 |



| Item No. | Part Description | Part Number |
|----------|---|--------------|
| 1 | Case, Volute | L01022 |
| 2 | Impeller | See Table I |
| 14 | Sleeve, Shaft (See Note 2) | S19310L |
| 26 | Screw, Impeller 3/8 - 16 x 1-1/4□ | S23568 |
| 32 | Key, 3/16 x 1-1/4□(See Note 1) | S34383 |
| 69 | Washer, Impeller | S06314 |
| 71 | Bracket | See Table II |
| 73 | Gasket, Volute | S04757 |
| 89 | Seal, Mechanical Shaft | S32014 |
| 800 | Capscrew, 3/8 - 16 x 1□(4 Req.) (For 4-1/2 AK) | S26826 |
| 800 | Capscrew, 1/2 - 13 x 1□(4 Req.) (For 8-1/2 AK) | S26912 |
| 801 | Stud, 1/2 - 13 x 1-1/2□(4 Req.) | S24043 |
| 802 | Nut, 1/2 x 13 (4 Req.) | S23107 |
| 805 | Washer, Lock | S23036 |
| 810 | Plug, Pipe 1/4□NPT (5 Req.) | S23715 |
| 815 | Ring, Retaining | S11207 |
| □ | Plug, Pipe 1/8□NPT (In Bracket) | S23714 |

□Not illustrated.

TABLE II

| HP | PH | Bracket No. | "AK" Fit | "U" Dim. | Motor Frame |
|-----|----|-------------|----------|----------|-------------|
| 3 | 1 | L05329 | 4-1/2□ | 7/8□ | 182JM |
| 3 | 3 | L05329 | 4-1/2□ | 7/8□ | 145JM |
| 5 | 1 | L05329 | 4-1/2□ | 7/8□ | 184JM |
| 5 | 3 | L05329 | 4-1/2□ | 7/8□ | 182JM |
| 7.5 | 1 | L05328 | 8-1/2□ | 7/8□ | 213JM |
| 7.5 | 3 | L05329 | 4-1/2□ | 7/8□ | 184JM |
| 10 | 1 | L05328 | 8-1/2□ | 7/8□ | 215JM |
| 10 | 3 | L05328 | 8-1/2□ | 7/8□ | 213JM |

NOTE 1: For an explanation of the tabulated material found on this page and for impeller key location, refer to *Supplement A* located at the beginning of this section.

NOTE 2: Sleeve replacement kit available. Berkeley part number B85681 includes the shaft sleeve, adhesive compound and instruction sheet.

NOTE 3: For seal flush line details, see *Supplement D*.



TYPE "B" SINGLE STAGE CENTRIFUGAL PUMP Electric Motor Drive

| | |
|-------------------|-----------------|
| Section | CC |
| Page | 70.10 |
| Date | January 1, 2004 |
| Supersedes 9/1/97 | |

SILICON BRONZE IMPELLER

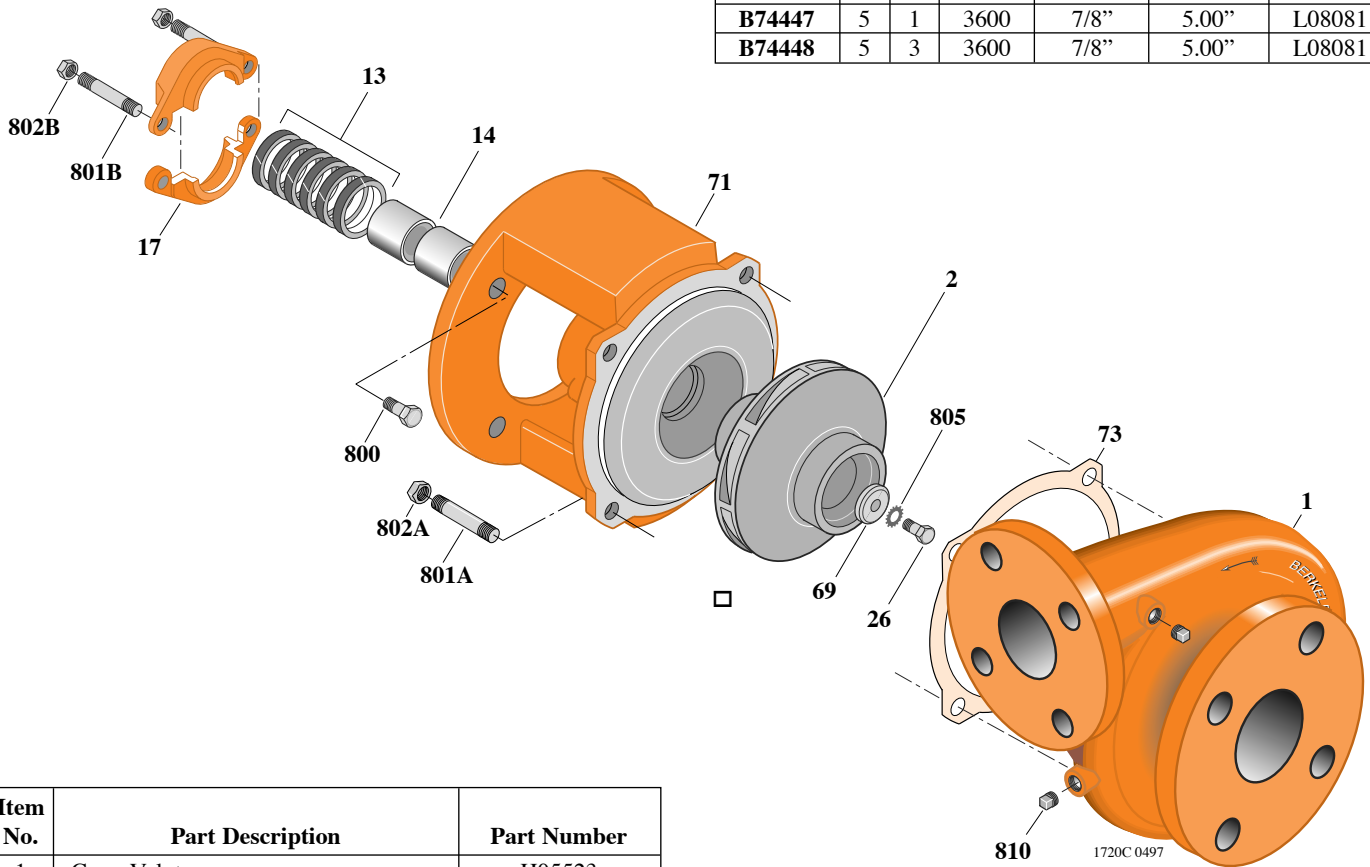
B2TPM

Flanged Case

Packing Construction

TABLE I

| B/M No. | HP | PH | RPM | "U" Dim. | Imp. Dia. | Imp. No. |
|---------|----|----|------|----------|-----------|----------|
| B74443 | 3 | 1 | 3600 | 7/8" | 4.25" | L08080 |
| B74444 | 3 | 3 | 3600 | 7/8" | 4.25" | L08080 |
| B74447 | 5 | 1 | 3600 | 7/8" | 5.00" | L08081 |
| B74448 | 5 | 3 | 3600 | 7/8" | 5.00" | L08081 |



| Item No. | Part Description | Part Number |
|----------|------------------------------------|--------------|
| 1 | Case, Volute | H05523 |
| 2 | Impeller | See Table I |
| 13 | Rings, Packing (Set of 6) | S13469 |
| 14 | Sleeve, Shaft (2 Req.) | S00619 |
| 17 | Gland, Packing | B82469 |
| 26 | Screw, Impeller 3/8 - 16 x 1-1/4" | S23568 |
| 32 | Key, 3/16 x 1-1/4" (See Note) | S34383 |
| 69 | Washer, Impeller | S06314 |
| 71 | Bracket | See Table II |
| 73 | Gasket, Volute | S04757 |
| 800 | Capscrew, 3/8 - 16 x 7/8" (4 Req.) | S26825 |
| 801A | Stud, 1/2 - 13 x 1-1/2" (4 Req.) | S24043 |
| 801B | Stud, 3/8 - 16 x 4" (2 Req.) | S08303 |
| 802A | Nut, Hex 1/2 - 13 (4 Req.) | S23107 |
| 802B | Nut, Hex 3/8 - 16 (2 Req.) | S23343 |
| 805 | Washer, Lock | S23036 |
| 810 | Plug, Pipe 1/4" NPT (4 Req.) | S23715 |

TABLE II

| HP | PH | Bracket No. | "AK" Fit | "U" Dim. | Motor Frame |
|----|----|-------------|----------|----------|-------------|
| 3 | 1 | L01525 | 4-1/2" | 7/8" | 182JP |
| 3 | 3 | L01525 | 4-1/2" | 7/8" | 145JP |
| 5 | 1 | L01525 | 4-1/2" | 7/8" | 184JP |
| 5 | 3 | L01525 | 4-1/2" | 7/8" | 182JP |

NOTE: For an explanation of the tabulated material found on this page and for impeller key location, refer to *Supplement A* located at the beginning of this section.



TYPE "B" SINGLE STAGE CENTRIFUGAL PUMP Electric Motor Drive

| | |
|-------------------|-----------------|
| Section | CC |
| Page | 70.11 |
| Date | January 1, 2004 |
| Supersedes 9/1/97 | |

SILICON BRONZE IMPELLER

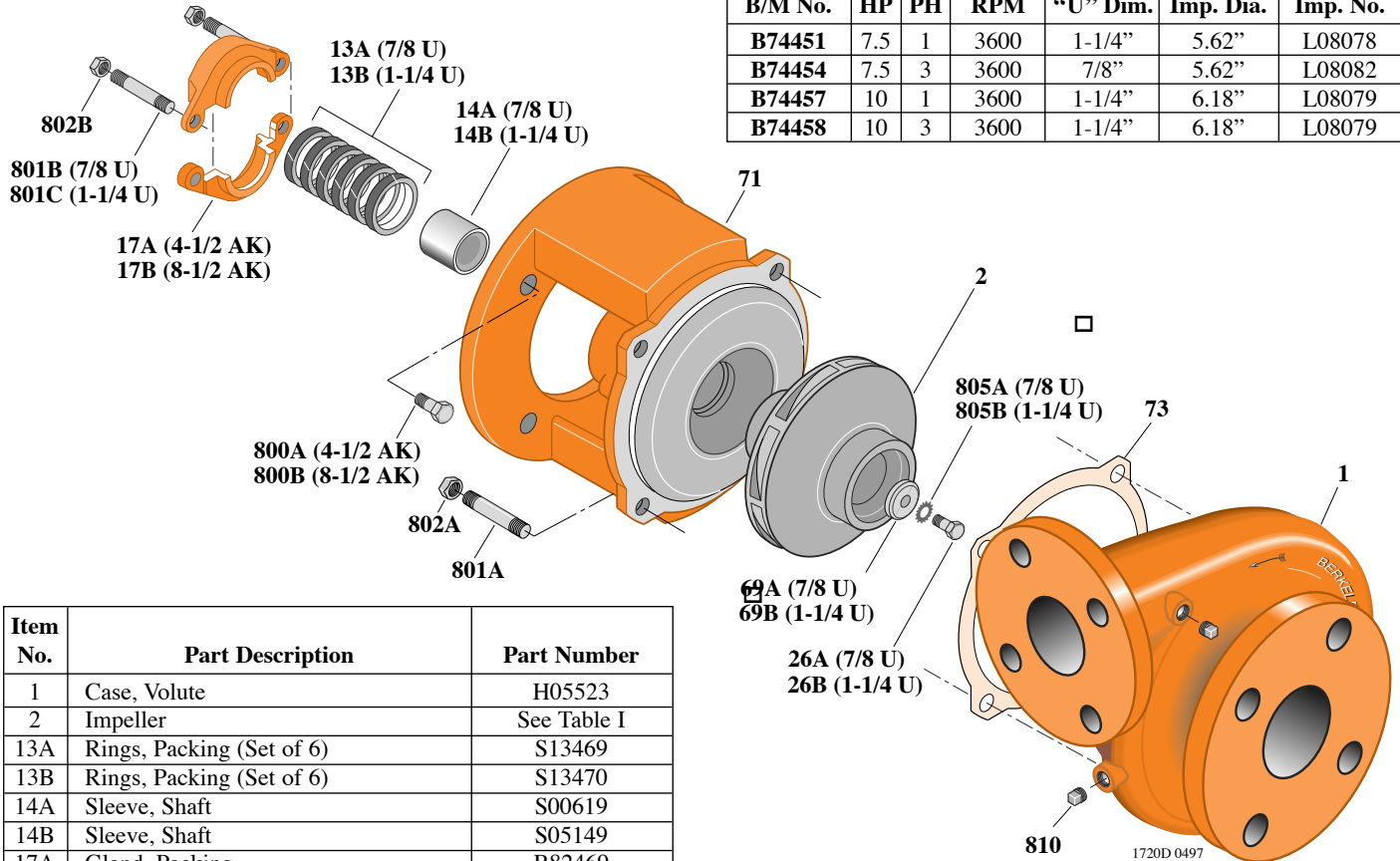
B2TPM

Flanged Case

Packing Construction

TABLE I

| B/M No. | HP | PH | RPM | "U" Dim. | Imp. Dia. | Imp. No. |
|---------|-----|----|------|----------|-----------|----------|
| B74451 | 7.5 | 1 | 3600 | 1-1/4" | 5.62" | L08078 |
| B74454 | 7.5 | 3 | 3600 | 7/8" | 5.62" | L08082 |
| B74457 | 10 | 1 | 3600 | 1-1/4" | 6.18" | L08079 |
| B74458 | 10 | 3 | 3600 | 1-1/4" | 6.18" | L08079 |



| Item No. | Part Description | Part Number |
|----------|------------------------------------|--------------|
| 1 | Case, Volute | H05523 |
| 2 | Impeller | See Table I |
| 13A | Rings, Packing (Set of 6) | S13469 |
| 13B | Rings, Packing (Set of 6) | S13470 |
| 14A | Sleeve, Shaft | S00619 |
| 14B | Sleeve, Shaft | S05149 |
| 17A | Gland, Packing | B82469 |
| 17B | Gland, Packing | B82470 |
| 26A | Screw, Impeller 3/8 - 16 x 1" | S23566 |
| 26B | Screw, Impeller 1/2 - 13 x 1-1/4" | S23621 |
| 32A | Key, 3/16 x 1-1/4" (See Note) | S34383 |
| 32B | Key, 1/4 x 2-1/4" (See Note) | S23677 |
| 69A | Washer, Impeller | S06314 |
| 69B | Washer, Impeller | S06317 |
| 71 | Bracket | See Table II |
| 73 | Gasket, Volute | S04757 |
| 800A | Capscrew, 3/8 - 16 x 7/8" (4 Req.) | S26825 |
| 800B | Capscrew, 1/2 - 13 x 1" (4 Req.) | S26912 |
| 801A | Stud, 1/2 - 13 x 1-1/2" (4 Req.) | S24043 |
| 801B | Stud, 3/8 - 16 x 4" (2 Req.) | S08303 |
| 801C | Stud, 3/8 - 16 x 3-1/2" (2 Req.) | S04441 |
| 802A | Nut, Hex 1/2 - 13 (4 Req.) | S23107 |
| 802B | Nut, Hex 3/8 - 16 (2 Req.) | S23343 |
| 805A | Washer, Lock | S23036 |
| 805B | Washer, Lock | S23038 |
| 810 | Plug, Pipe 1/4" NPT (4 Req.) | S23715 |

TABLE II

| HP | PH | Bracket No. | "AK" Fit | "U" Dim. | Motor Frame |
|-----|----|-------------|----------|----------|-------------|
| 7.5 | 1 | L01951 | 8-1/2" | 1-1/4" | 213JP |
| 7.5 | 3 | L01525 | 4-1/2" | 7/8" | 184JP |
| 10 | 1 | L01951 | 8-1/2" | 1-1/4" | 215JP |
| 10 | 3 | L01951 | 8-1/2" | 1-1/4" | 213JP |

NOTE: For an explanation of the tabulated material found on this page and for impeller key location, refer to *Supplement A* located at the beginning of this section.



TYPE "B" SINGLE STAGE CENTRIFUGAL PUMP Electric Motor Drive

| | |
|-------------------|--------------|
| Section | CC |
| Page | 70.12 |
| Date | May 15, 2009 |
| Supersedes 1/1/04 | |

SILICON BRONZE IMPELLER

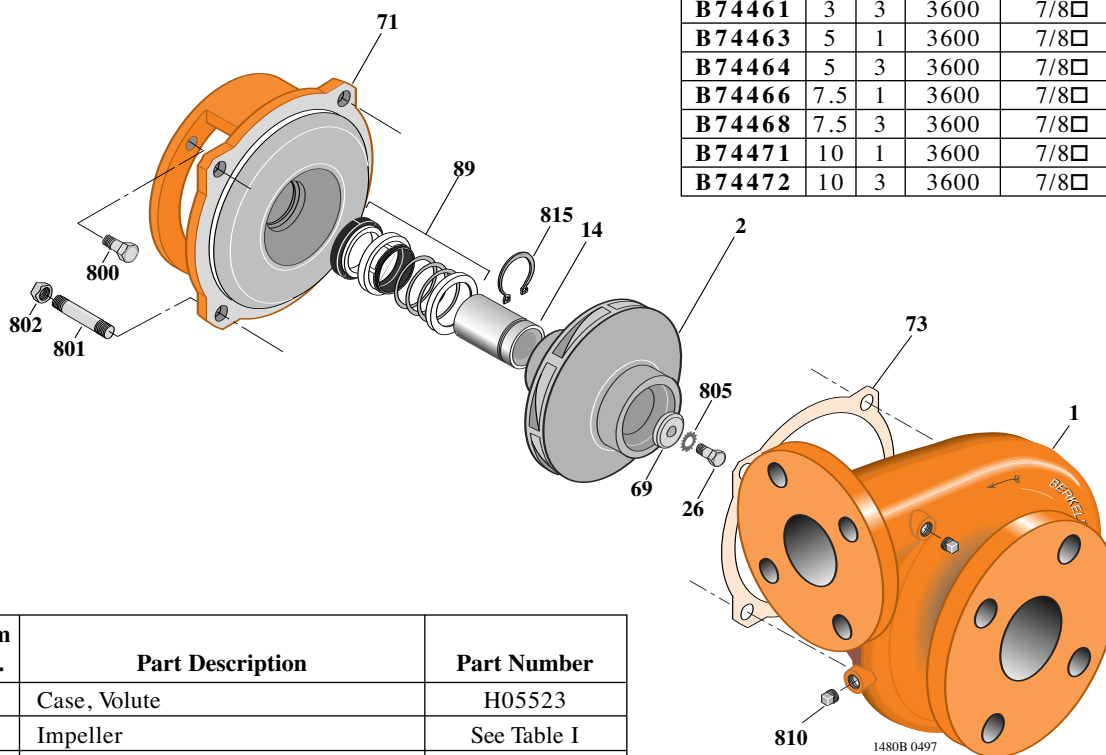
B2TPMS

Flanged Case

Mechanical Shaft Seal Construction

TABLE I

| B/M No. | HP | PH | RPM | "U" Dim. | Imp. Dia. | Imp. No. |
|---------------|-----|----|------|----------|-----------|----------|
| B74460 | 3 | 1 | 3600 | 7/8□ | 4.25□ | L08080 |
| B74461 | 3 | 3 | 3600 | 7/8□ | 4.25□ | L08080 |
| B74463 | 5 | 1 | 3600 | 7/8□ | 5.00□ | L08081 |
| B74464 | 5 | 3 | 3600 | 7/8□ | 5.00□ | L08081 |
| B74466 | 7.5 | 1 | 3600 | 7/8□ | 5.62□ | L08082 |
| B74468 | 7.5 | 3 | 3600 | 7/8□ | 5.62□ | L08082 |
| B74471 | 10 | 1 | 3600 | 7/8□ | 6.18□ | L08083 |
| B74472 | 10 | 3 | 3600 | 7/8□ | 6.18□ | L08083 |



| Item No. | Part Description | Part Number |
|----------|---|--------------|
| 1 | Case, Volute | H05523 |
| 2 | Impeller | See Table I |
| 14 | Sleeve, Shaft (See Note 2) | S19310L |
| 26 | Screw, Impeller 3/8 - 16 x 1-1/4□ | S23568 |
| 32 | Key, 3/16 x 1-1/4□(See Note 1) | S34383 |
| 69 | Washer, Impeller | S06314 |
| 71 | Bracket | See Table II |
| 73 | Gasket, Volute | S04757 |
| 89 | Seal, Mechanical Shaft | S32014 |
| 800 | Capscrew, 3/8 - 16 x 1□(4 Req.) (For 4-1/2 AK) | S26826 |
| 800 | Capscrew, 1/2 - 13 x 1□(4 Req.) (For 8-1/2 AK) | S26912 |
| 801 | Stud, 1/2 - 13 x 1-1/2□(4 Req.) | S24043 |
| 802 | Nut, 1/2 x 13 (4 Req.) | S23107 |
| 805 | Washer, Lock | S23036 |
| 810 | Plug, Pipe 1/4□NPT (4 Req.) | S23715 |
| 815 | Ring, Retaining | S11207 |
| □ | Plug, Pipe 1/8□NPT (In Bracket) | S23714 |

□Not illustrated.

TABLE II

| HP | PH | Bracket No. | "AK" Fit | "U" Dim. | Motor Frame |
|-----|----|-------------|----------|----------|-------------|
| 3 | 1 | L05329 | 4-1/2□ | 7/8□ | 182JM |
| 3 | 3 | L05329 | 4-1/2□ | 7/8□ | 145JM |
| 5 | 1 | L05329 | 4-1/2□ | 7/8□ | 184JM |
| 5 | 3 | L05329 | 4-1/2□ | 7/8□ | 182JM |
| 7.5 | 1 | L05328 | 8-1/2□ | 7/8□ | 213JM |
| 7.5 | 3 | L05329 | 4-1/2□ | 7/8□ | 184JM |
| 10 | 1 | L05328 | 8-1/2□ | 7/8□ | 215JM |
| 10 | 3 | L05328 | 8-1/2□ | 7/8□ | 213JM |

NOTE 1: For an explanation of the tabulated material found on this page and for impeller key location, refer to **Supplement A** located at the beginning of this section.

NOTE 2: Sleeve replacement kit available. Berkeley part number B85681 includes the shaft sleeve, adhesive compound and instruction sheet.

NOTE 3: For seal flush line details, see **Supplement D**.



Type "B" Single Stage Centrifugal Pump Electric Motor Drive

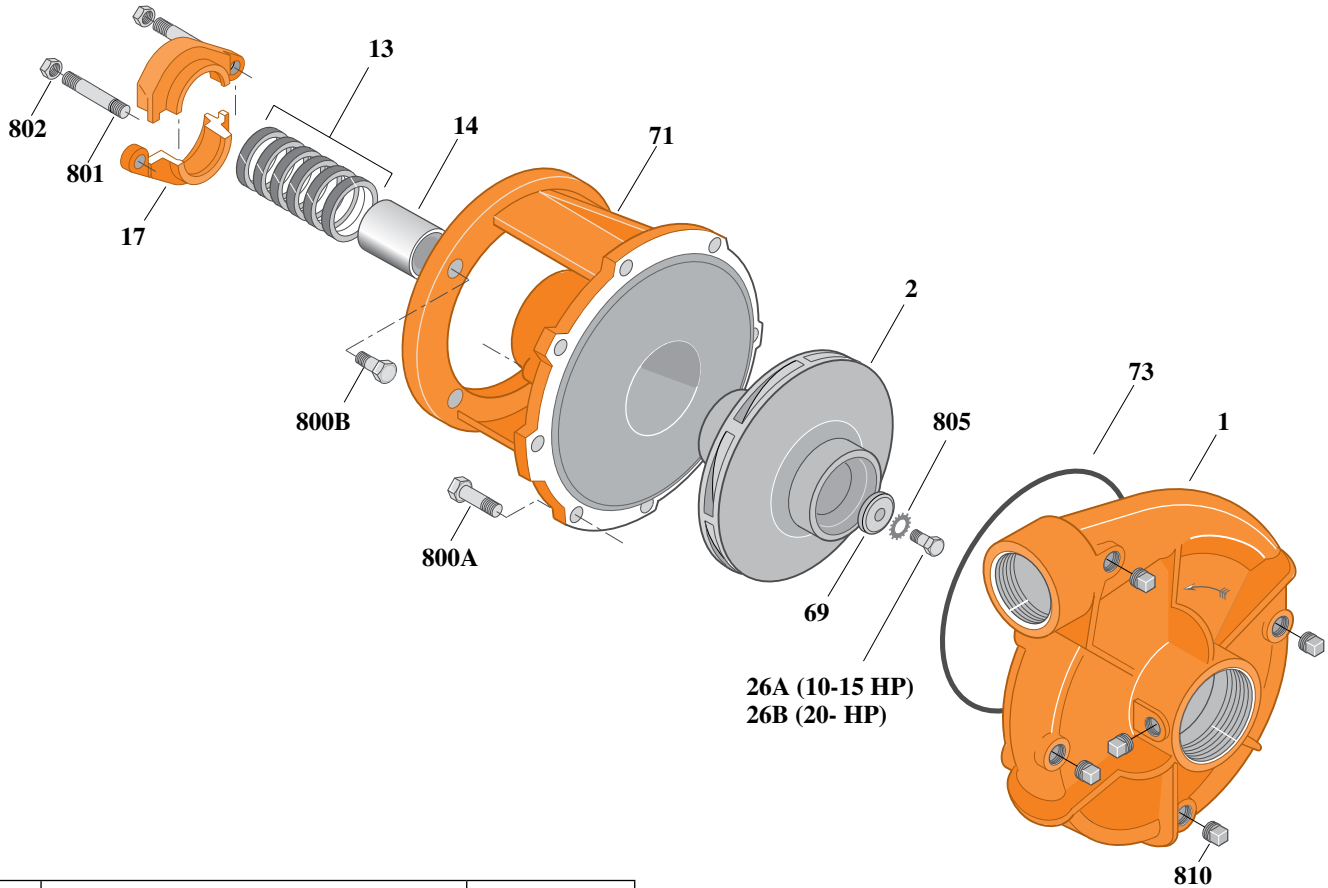
| | |
|-------------------|--------------|
| Section | CC |
| Page | 80.1 |
| Date | July 1, 2011 |
| Supersedes 1/1/04 | |

CAST IRON IMPELLER

B2ZPL

Threaded Case (NPT)

Packing Construction



| Item | Part Description | Part Number |
|------|--------------------------------------|--------------|
| 1 | Case, Volute | L01026 |
| 2 | Impeller | See Table I |
| 13 | Rings, Packing (Set of 6) | S13470 |
| 14 | Sleeve, Shaft | S05149L |
| 17 | Gland, Packing | B82470 |
| 26A | Screw, Impeller 1/2 -13 x 1-1/4" | S23621 |
| 26B | Screw, Impeller 1/2 -13 x 1" | S23619 |
| 32 | Key, 1/4 x 2-1/4" (See Note 1) | S23677 |
| 69 | Washer, Impeller | S06319 |
| 71 | Bracket | See Table II |
| 73 | O-Ring (See Note 2) | M14943 |
| 800A | Capscrew, 3/8 - 16 x 1" (8 Req.) | S26826 |
| 800B | Capscrew, 1/2 - 13 x 1-1/2" (4 Req.) | S26916 |
| 801 | Stud, 3/8 - 16 x 4" (2 Req.) | S08303 |
| 802 | Nut, Hex 3/8 -16 (2 Req.) | S23343 |
| 805 | Washer, Lock | S23038 |
| 810 | Plug, Pipe 1/4 NPT (5 Req.) | S23715 |

Table I

| B/M No. | HP | PH | RPM | "U" Dim. | Imp. Dia. | Imp. No. |
|---------|----|----|------|----------|-----------|----------|
| B55571 | 10 | 1 | 3600 | 1-1/4" | 7.56" | M07664 |
| B55572 | 10 | 3 | 3600 | 1-1/4" | 7.56" | M07664 |
| B55573 | 15 | 3 | 3600 | 1-1/4" | 8.31" | M07663 |
| B55561 | 20 | 3 | 3600 | 1-1/4" | 9.00" | M06933 |

Table II

| HP | PH | Bracket No. | "AK" Fit | "U" Dim. | Motor Frame |
|----|----|-------------|----------|----------|-------------|
| 10 | 1 | L03827 | 8-1/2" | 1-1/4" | 215JP |
| 10 | 3 | L03827 | 8-1/2" | 1-1/4" | 213JP |
| 15 | 3 | L03827 | 8-1/2" | 1-1/4" | 215JP |
| 20 | 3 | L03827 | 8-1/2" | 1-1/4" | 254JP |

NOTE 1: For an explanation of the tabulated material found on this page and for impeller key location, refer to *Supplement A* located at the beginning of this section.

NOTE 2: Also accepts gasket S05126 as replacement for o-ring. See *Supplement E* located at the beginning of this section.



Type "B" Single Stage Centrifugal Pump Electric Motor Drive

| | |
|-------------------|--------------|
| Section | CC |
| Page | 80.2 |
| Date | July 1, 2011 |
| Supersedes 1/1/04 | |

CAST IRON IMPELLERB2ZPLS

Threaded Case (NPT)

Mechanical Shaft Seal Construction

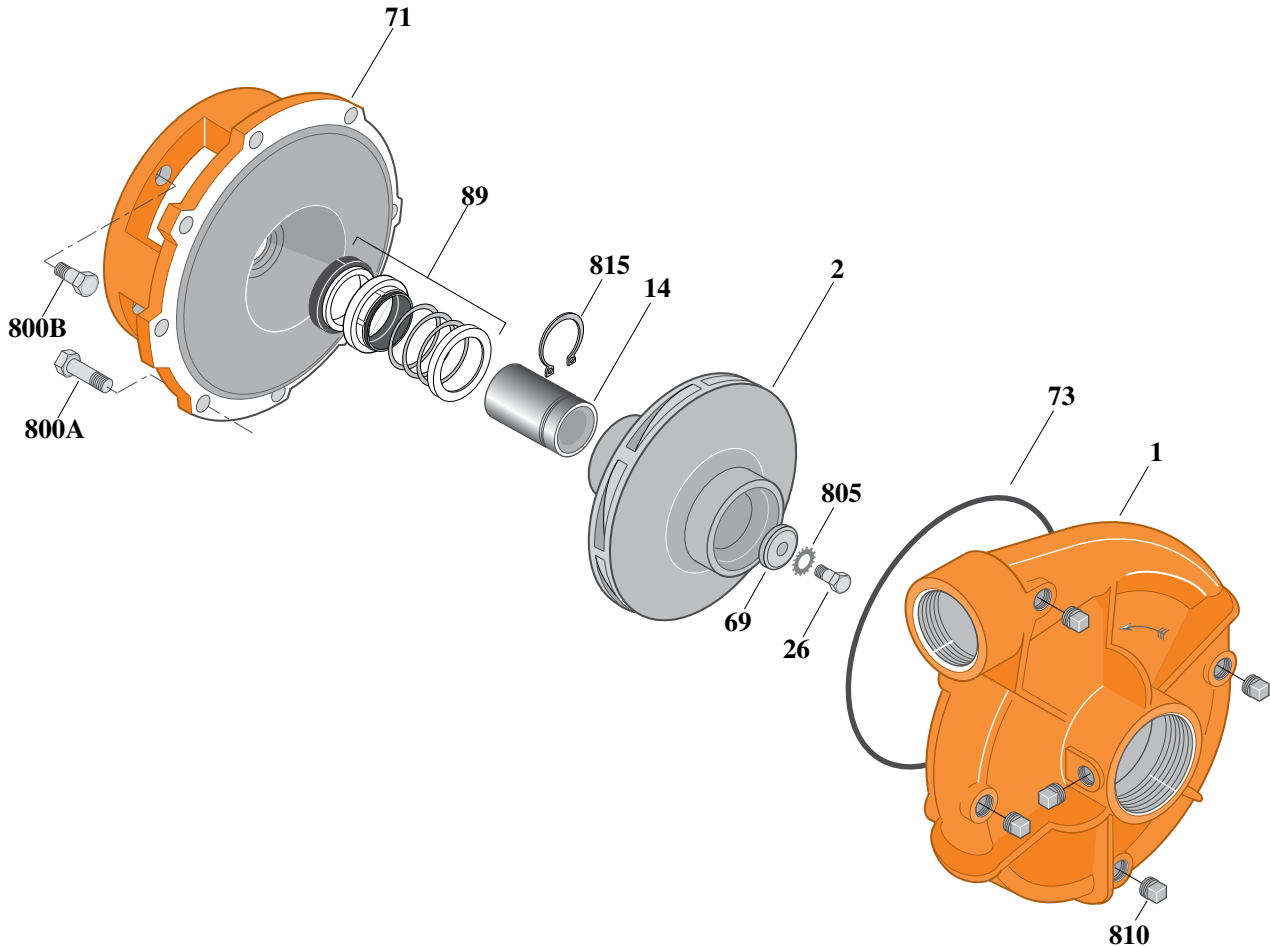


Table I

| Item | Part Description | Part Number |
|------|----------------------------------|--------------|
| 1 | Case, Volute | L01026 |
| 2 | Impeller | See Table I |
| 14 | Sleeve, Shaft | S19310L |
| 26 | Screw, Impeller 3/8 - 16 x 1" | S23566 |
| 32 | Key, 3/16 x 1-1/4" (See Note 1) | S34383 |
| 69 | Washer, Impeller | S06314 |
| 71 | Bracket | See Table II |
| 73 | O-Ring (See Note 2) | M14943 |
| 89 | Seal, Mechanical Shaft | S32014 |
| 800A | Capscrew, 3/8 - 16 x 1" (8 Req.) | S26826 |
| 800B | Capscrew, 1/2 - 13 x 1" (4 Req.) | S26912 |
| 805 | Washer, Lock | S23036 |
| 810 | Plug, Pipe 1/4 NPT (5 Req.) | S23715 |
| 815 | Ring, Retaining | S11207 |

| B/M No. | HP | PH | RPM | "U" Dim. | Imp. Dia. | Imp. No. |
|---------|----|----|------|----------|-----------|----------|
| B55562 | 10 | 1 | 3600 | 7/8" | 7.56" | M07761 |
| B55563 | 10 | 3 | 3600 | 7/8" | 7.56" | M07761 |
| B59742 | 10 | 1 | 3600 | 7/8" | 7.56" | M07761 |
| B77618 | 10 | 1 | 3600 | 7/8" | 7.56" | M07761 |
| B55564 | 15 | 3 | 3600 | 7/8" | 8.31" | M07762 |

Table II

| HP | PH | Bracket No. | "AK" Fit | "U" Dim. | Motor Frame |
|----|----|-------------|----------|----------|-------------|
| 10 | 1 | L05331 | 8-1/2" | 7/8" | 215JM |
| 10 | 3 | L05331 | 8-1/2" | 7/8" | 213JM |
| 15 | 3 | L05331 | 8-1/2" | 7/8" | 215JM |

NOTE 1: For an explanation of the tabulated material found on this page and for impeller key location, refer to **Supplement A** located at the beginning of this section.

NOTE 2: Also accepts gasket S05126 as replacement for o-ring. See **Supplement E** located at the beginning of this section.



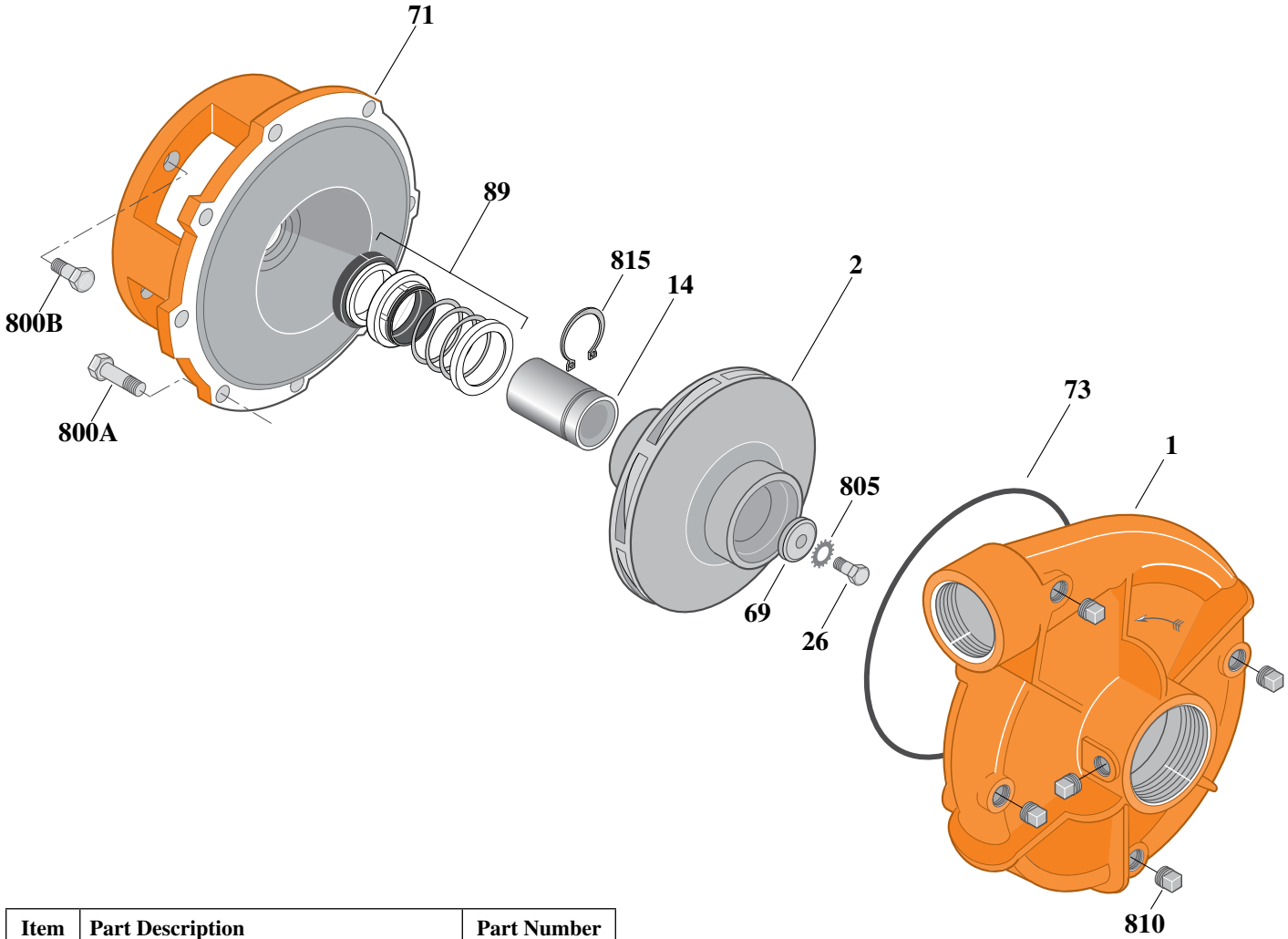
Type "B" Single Stage Centrifugal Pump Electric Motor Drive

| | |
|-------------------|--------------|
| Section | CC |
| Page | 80.3 |
| Date | July 1, 2011 |
| Supersedes 1/1/04 | |

CAST IRON IMPELLERB2ZPLS

Threaded Case (NPT)

Mechanical Shaft Seal Construction



| Item | Part Description | Part Number |
|------|----------------------------------|--------------|
| 1 | Case, Volute | L01026 |
| 2 | Impeller | See Table I |
| 14 | Sleeve, Shaft | S18869L |
| 26 | Screw, Impeller 1/2 - 13 x 1" | S23619 |
| 32 | Key, 1/4 x 2-1/4" (See Note 1) | S23677 |
| 69 | Washer, Impeller | S06319 |
| 71 | Bracket | See Table II |
| 73 | O-Ring (See Note 2) | M14943 |
| 89 | Seal, Mechanical Shaft | S32015 |
| 800A | Capscrew, 3/8 - 16 x 1" (8 Req.) | S26826 |
| 800B | Capscrew, 1/2 - 13 x 1" (4 Req.) | S26912 |
| 805 | Washer, Lock | S23038 |
| 810 | Plug, Pipe 1/4 NPT (5 Req.) | S23715 |
| 815 | Ring, Retaining | S16767 |

Table I

| B/M No. | HP | PH | RPM | "U" Dim. | Imp. Dia. | Imp. No. |
|---------|----|----|------|----------|-----------|----------|
| B55565 | 20 | 3 | 3600 | 1-1/4" | 9.00" | M06933 |

Table II

| HP | PH | Bracket No. | "AK" Fit | "U" Dim. | Motor Frame |
|----|----|-------------|----------|----------|-------------|
| 20 | 3 | L04615 | 8-1/2" | 1-1/4" | 254JM |

NOTE 1: For an explanation of the tabulated material found on this page and for impeller key location, refer to *Supplement A* located at the beginning of this section.

NOTE 2: Also accepts gasket S05126 as replacement for o-ring. See *Supplement E* located at the beginning of this section.



Type "B" Single Stage Centrifugal Pump Electric Motor Drive

| | |
|-------------------|--------------|
| Section | CC |
| Page | 80.4 |
| Date | July 1, 2011 |
| Supersedes 1/1/04 | |

SILICON BRONZE IMPELLERB2ZPL

Threaded Case (NPT)

Packing Construction

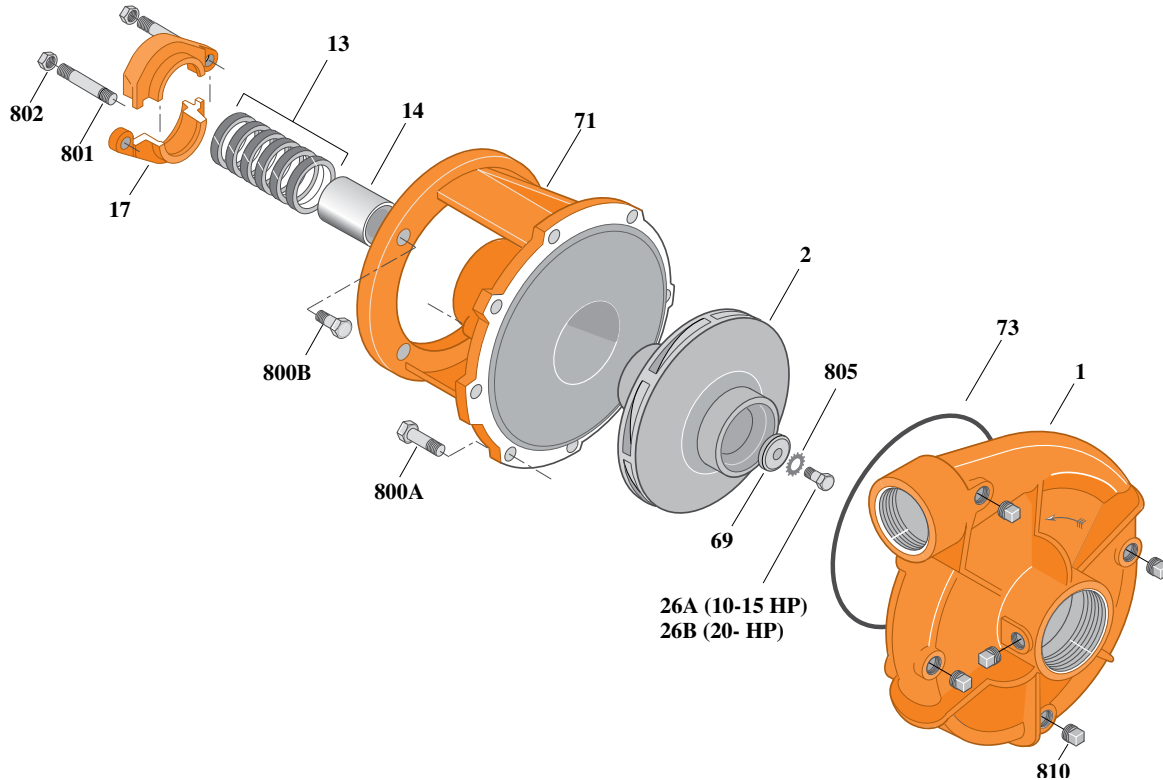


Table I

| B/M No. | HP | PH | RPM | "U" Dim. | Imp. Dia. | Imp. No. |
|---------|----|----|------|----------|-----------|----------|
| B66546 | 10 | 1 | 3600 | 1-1/4" | 7.56" | L06638 |
| B73881 | 10 | 1 | 3600 | 1-1/4" | 7.56" | L08073 |
| B66547 | 10 | 3 | 3600 | 1-1/4" | 7.56" | L06638 |
| B73882 | 10 | 3 | 3600 | 1-1/4" | 7.56" | L08073 |
| B66515 | 15 | 3 | 3600 | 1-1/4" | 8.31" | L06637 |
| B73886 | 15 | 3 | 3600 | 1-1/4" | 8.31" | L08074 |
| B66516 | 20 | 3 | 3600 | 1-1/4" | 9.00" | L06664 |
| B73890 | 20 | 3 | 3600 | 1-1/4" | 9.00" | L08075 |

Table II

| HP | PH | Bracket No. | "AK" Fit | "U" Dim. | Motor Frame |
|----|----|-------------|----------|----------|-------------|
| 10 | 1 | L03827 | 8-1/2" | 1-1/4" | 215JP |
| 10 | 3 | L03827 | 8-1/2" | 1-1/4" | 213JP |
| 15 | 3 | L03827 | 8-1/2" | 1-1/4" | 215JP |
| 20 | 3 | L03827 | 8-1/2" | 1-1/4" | 254JP |

| Item | Part Description | Part Number |
|------|--------------------------------------|--------------|
| 1 | Case, Volute | L01026 |
| 2 | Impeller | See Table I |
| 13 | Rings, Packing (Set of 6) | S13470 |
| 14 | Sleeve, Shaft | S05149L |
| 17 | Gland, Packing | B82470 |
| 26A | Screw, Impeller 1/2 -13 x 1-1/4" | S23621 |
| 26B | Screw, Impeller 1/2 -13 x 1" | S23619 |
| 32 | Key, 1/4 x 2-1/4" (See Note 1) | S23677 |
| 69 | Washer, Impeller | S06319 |
| 71 | Bracket | See Table II |
| 73 | O-Ring (See Note 2) | M14943 |
| 800A | Capscrew, 3/8 - 16 x 1" (8 Req.) | S26826 |
| 800B | Capscrew, 1/2 - 13 x 1-1/2" (4 Req.) | S26916 |
| 801 | Stud, 3/8- 16 x 4" (2 Req.) | S08303 |
| 802 | Nut, Hex 3/8 -16 (2 Req.) | S23343 |
| 805 | Washer, Lock | S23038 |
| 810 | Plug, Pipe 1/4 NPT (5 Req.) | S23715 |

NOTE 1: For an explanation of the tabulated material found on this page and for impeller key location, refer to *Supplement A* located at the beginning of this section.

NOTE 2: Also accepts gasket S05126 as replacement for o-ring. See *Supplement E* located at the beginning of this section.



Type "B" Single Stage Centrifugal Pump Electric Motor Drive

| | |
|-------------------|--------------|
| Section | CC |
| Page | 80.5 |
| Date | July 1, 2011 |
| Supersedes 1/1/04 | |

SILICON BRONZE IMPELLER

B2ZPLS

Threaded Case (NPT)

Mechanical Shaft Seal Construction

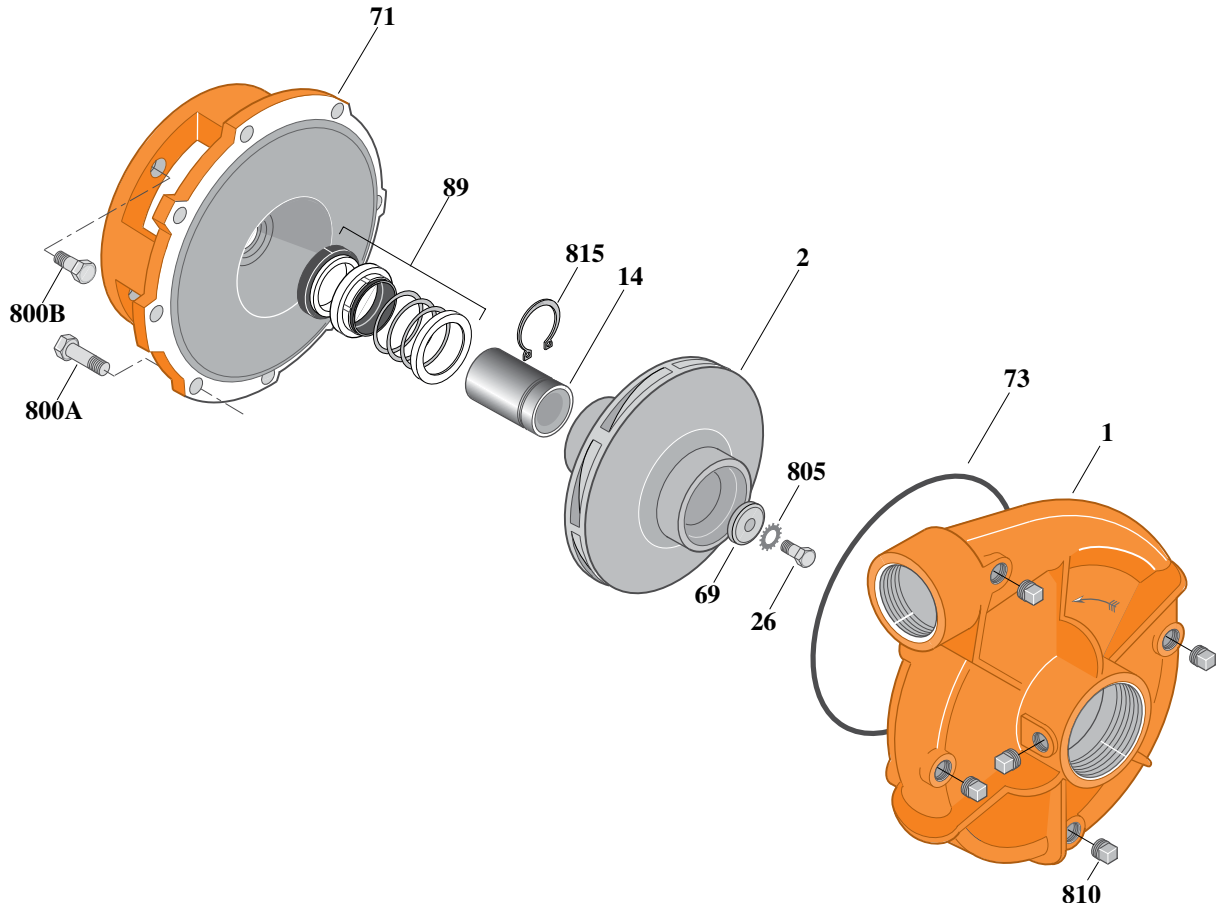


Table I

| B/M No. | HP | PH | RPM | "U" Dim. | Imp. Dia. | Imp. No. |
|---------|--|----|------|----------|-----------|----------|
| B73894 | 10 | 1 | 3600 | 7/8" | 7.56" | L08076 |
| B73895 | 10 | 3 | 3600 | 7/8" | 7.56" | L08076 |
| B73899 | 15 | 3 | 3600 | 7/8" | 8.31" | L08077 |
| B66823 | <i>These B/M Numbers Are No Longer Available. See Above For Current Models</i> | | | | | |
| B66824 | | | | | | |
| B66828 | | | | | | |

| Item | Part Description | Part Number |
|------|----------------------------------|--------------|
| 1 | Case, Volute | L01026 |
| 2 | Impeller | See Table I |
| 14 | Sleeve, Shaft | S19310L |
| 26 | Screw, Impeller 3/8 - 16 x 1" | S23566 |
| 32 | Key, 3/16 x 1-1/4" (See Note 1) | S34383 |
| 69 | Washer, Impeller | S06314 |
| 71 | Bracket | See Table II |
| 73 | O-Ring (See Note 2) | M14943 |
| 89 | Seal, Mechanical Shaft | S32014 |
| 800A | Capscrew, 3/8 - 16 x 1" (8 Req.) | S26826 |
| 800B | Capscrew, 1/2 - 13 x 1" (4 Req.) | S26912 |
| 805 | Washer, Lock | S23036 |
| 810 | Plug, Pipe 1/4 NPT (5 Req.) | S23715 |
| 815 | Ring, Retaining | S11207 |

Table II

| HP | PH | Bracket No. | "AK" Fit | "U" Dim. | Motor Frame |
|----|----|-------------|----------|----------|-------------|
| 10 | 1 | L05331 | 8-1/2" | 7/8" | 215JM |
| 10 | 3 | L05331 | 8-1/2" | 7/8" | 213JM |
| 15 | 3 | L05331 | 8-1/2" | 7/8" | 215JM |

NOTE 1: For an explanation of the tabulated material found on this page and for impeller key location, refer to **Supplement A** located at the beginning of this section.

NOTE 2: Also accepts gasket S05126 as replacement for o-ring. See **Supplement E** located at the beginning of this section.



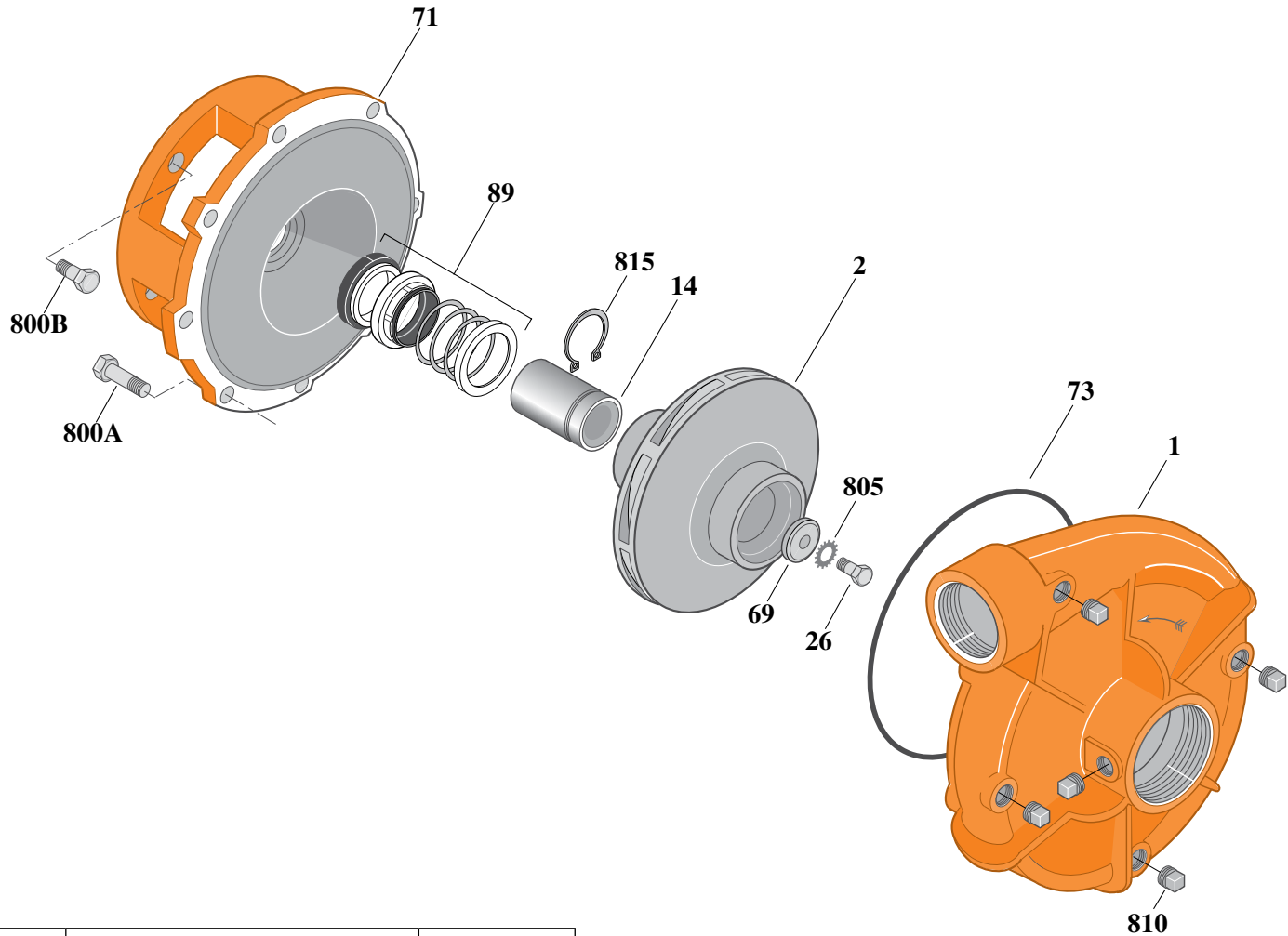
Type "B" Single Stage Centrifugal Pump Electric Motor Drive

| | |
|-------------------|--------------|
| Section | CC |
| Page | 80.6 |
| Date | July 1, 2011 |
| Supersedes 1/1/04 | |

SILICON BRONZE IMPELLER B2ZPLS

Threaded Case (NPT)

Mechanical Shaft Seal Construction



| Item | Part Description | Part Number |
|------|----------------------------------|--------------|
| 1 | Case, Volute | L01026 |
| 2 | Impeller | See Table I |
| 14 | Sleeve, Shaft | S18869L |
| 26 | Screw, Impeller 1/2 - 13 x 1" | S23619 |
| 32 | Key, 1/4 x 2-1/4" (See Note 1) | S23677 |
| 69 | Washer, Impeller | S06319 |
| 71 | Bracket | See Table II |
| 73 | O-Ring (See Note 2) | M14943 |
| 89 | Seal, Mechanical Shaft | S32015 |
| 800A | Capscrew, 3/8 - 16 x 1" (8 Req.) | S26826 |
| 800B | Capscrew, 1/2 - 13 x 1" (4 Req.) | S26912 |
| 805 | Washer, Lock | S23038 |
| 810 | Plug, Pipe 1/4 NPT (5 Req.) | S23715 |
| 815 | Ring, Retaining | S16767 |

Table I

| B/M No. | HP | PH | RPM | "U" Dim. | Imp. Dia. | Imp. No. |
|---------|--|----|------|----------|-----------|----------|
| B66517 | <i>No Longer Available. See Below For Current Model.</i> | | | | | |
| B73901 | 20 | 3 | 3600 | 1-1/4" | 9.00" | L08075 |

Table II

| HP | PH | Bracket No. | "AK" Fit | "U" Dim. | Motor Frame |
|----|----|-------------|----------|----------|-------------|
| 20 | 3 | L04615 | 8-1/2" | 1-1/4" | 254JM |

NOTE 1: For an explanation of the tabulated material found on this page and for impeller key location, refer to **Supplement A** located at the beginning of this section.

NOTE 2: Also accepts gasket S05126 as replacement for o-ring. See **Supplement E** located at the beginning of this section.



TYPE "B" SINGLE STAGE CENTRIFUGAL PUMP Electric Motor Drive

| | |
|----------------|-------------------|
| Section | CC |
| Page | 80.7 |
| Date | September 1, 1997 |
| Supersedes/New | |

SILICON BRONZE IMPELLER

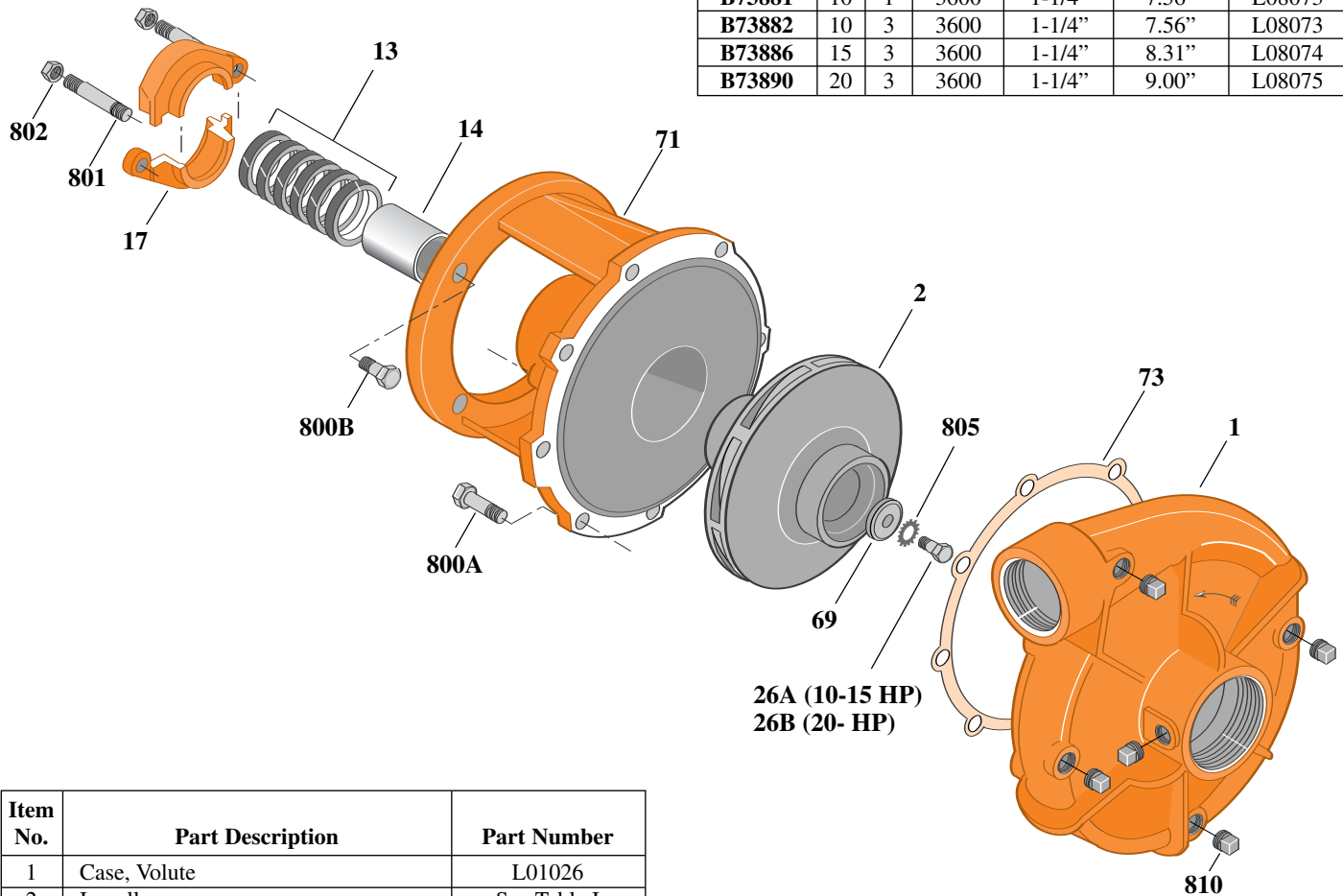
B2ZPL

Threaded Case (NPT)

Packing Construction

TABLE I

| B/M No. | HP | PH | RPM | "U" Dim. | Imp. Dia. | Imp. No. |
|---------------|----|----|------|----------|-----------|----------|
| B73881 | 10 | 1 | 3600 | 1-1/4" | 7.56" | L08073 |
| B73882 | 10 | 3 | 3600 | 1-1/4" | 7.56" | L08073 |
| B73886 | 15 | 3 | 3600 | 1-1/4" | 8.31" | L08074 |
| B73890 | 20 | 3 | 3600 | 1-1/4" | 9.00" | L08075 |



26A (10-15 HP)
26B (20- HP)

| Item No. | Part Description | Part Number |
|----------|--------------------------------------|--------------|
| 1 | Case, Volute | L01026 |
| 2 | Impeller | See Table I |
| 13 | Rings, Packing (Set of 6) | S13470 |
| 14 | Sleeve, Shaft | S05149 |
| 17 | Gland, Packing | S12034 |
| 26A | Screw, Impeller 1/2 -13 x 1-1/4" | S23621 |
| 26B | Screw, Impeller 1/2 -13 x 1" | S23619 |
| 32 | Key, 1/4 x 2-1/4" (See Note) | S23677 |
| 69 | Washer, Impeller | S06319 |
| 71 | Bracket | See Table II |
| 73 | Gasket, Volute | S05126 |
| 800A | Capscrew, 3/8 - 16 x 1" (8 Req.) | S26826 |
| 800B | Capscrew, 1/2 - 13 x 1-1/2" (4 Req.) | S26916 |
| 801 | Stud, 3/8- 16 x 4" (2 Req.) | S08303 |
| 802 | Nut, Hex 3/8 -16 (2 Req.) | S23343 |
| 805 | Washer, Lock | S23038 |
| 810 | Plug, Pipe 1/4" NPT (5 Req.) | S23715 |

TABLE II

| HP | PH | Bracket No. | "AK" Fit | "U" Dim. | Motor Frame |
|----|----|-------------|----------|----------|-------------|
| 10 | 1 | L03827 | 8-1/2" | 1-1/4" | 215JP |
| 10 | 3 | L03827 | 8-1/2" | 1-1/4" | 213JP |
| 15 | 3 | L03827 | 8-1/2" | 1-1/4" | 215JP |
| 20 | 3 | L03827 | 8-1/2" | 1-1/4" | 254JP |

NOTE: For an explanation of the tabulated material found on this page and for impeller key location, refer to *Supplement A* located at the beginning of this section.



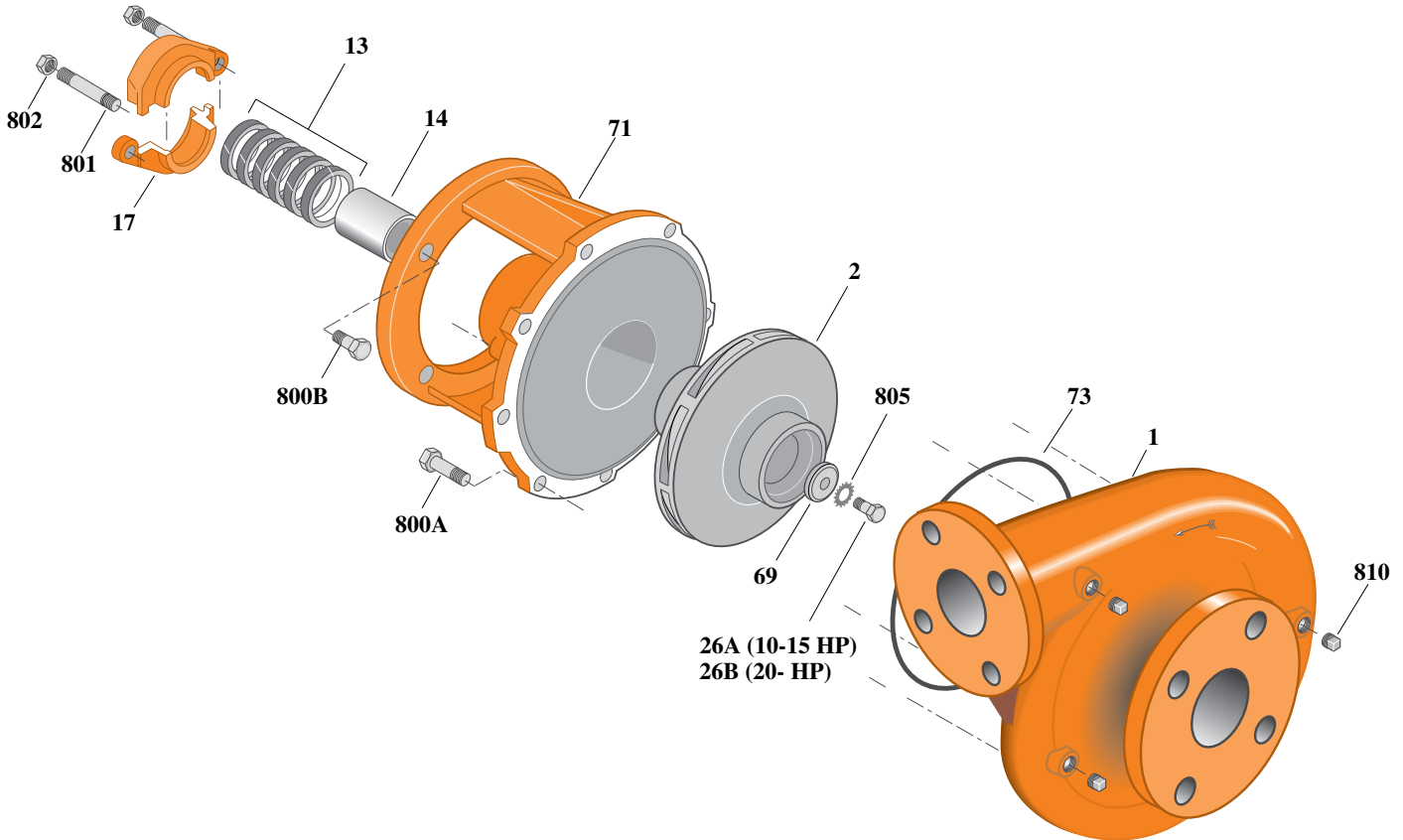
Type "B" Single Stage Centrifugal Pump Electric Motor Drive

| | |
|-------------------|--------------|
| Section | CC |
| Page | 80.8 |
| Date | July 1, 2011 |
| Supersedes 1/1/04 | |

SILICON BRONZE IMPELLERB2ZPL

Flanged Case

Packing Construction



| Item | Part Description | Part Number |
|------|--------------------------------------|--------------|
| 1 | Case, Volute | H05524 |
| 2 | Impeller | See Table I |
| 13 | Rings, Packing (Set of 6) | S13470 |
| 14 | Sleeve, Shaft | S05149L |
| 17 | Gland, Packing | B82470 |
| 26A | Screw, Impeller 1/2 -13 x 1-1/4" | S23621 |
| 26B | Screw, Impeller 1/2 -13 x 1" | S23619 |
| 32 | Key, 1/4 x 2-1/4" (See Note 1) | S23677 |
| 69 | Washer, Impeller | S06319 |
| 71 | Bracket | See Table II |
| 73 | O-Ring (See Note 2) | M14943 |
| 800A | Capscrew, 3/8 - 16 x 1" (8 Req.) | S26826 |
| 800B | Capscrew, 1/2 - 13 x 1-1/2" (4 Req.) | S26916 |
| 801 | Stud, 3/8- 16 x 4" (2 Req.) | S08303 |
| 802 | Nut, Hex 3/8 -16 (2 Req.) | S23343 |
| 805 | Washer, Lock | S23038 |
| 810 | Plug, Pipe 1/4" NPT (4 Req.) | S23715 |

Table I

| B/M No. | HP | PH | RPM | "U" Dim. | Imp. Dia. | Imp. No. |
|---------|----|----|------|----------|-----------|----------|
| B74476 | 10 | 1 | 3600 | 1-1/4" | 7.56" | L08073 |
| B74477 | 10 | 3 | 3600 | 1-1/4" | 7.56" | L08073 |
| B74480 | 15 | 3 | 3600 | 1-1/4" | 8.31" | L08074 |
| B74483 | 20 | 3 | 3600 | 1-1/4" | 9.00" | L08075 |

Table II

| HP | PH | Bracket No. | "AK" Fit | "U" Dim. | Motor Frame |
|----|----|-------------|----------|----------|-------------|
| 10 | 1 | L03827 | 8-1/2" | 1-1/4" | 215JP |
| 10 | 3 | L03827 | 8-1/2" | 1-1/4" | 213JP |
| 15 | 3 | L03827 | 8-1/2" | 1-1/4" | 215JP |
| 20 | 3 | L03827 | 8-1/2" | 1-1/4" | 254JP |

NOTE 1: For an explanation of the tabulated material found on this page and for impeller key location, refer to *Supplement A* located at the beginning of this section.

NOTE 2: Also accepts gasket S05126 as replacement for o-ring. See *Supplement E* located at the beginning of this section.



TYPE "B" SINGLE STAGE CENTRIFUGAL PUMP Electric Motor Drive

| | |
|----------------|-------------------|
| Section | CC |
| Page | 80.9 |
| Date | September 1, 1997 |
| Supersedes/New | |

SILICON BRONZE IMPELLER

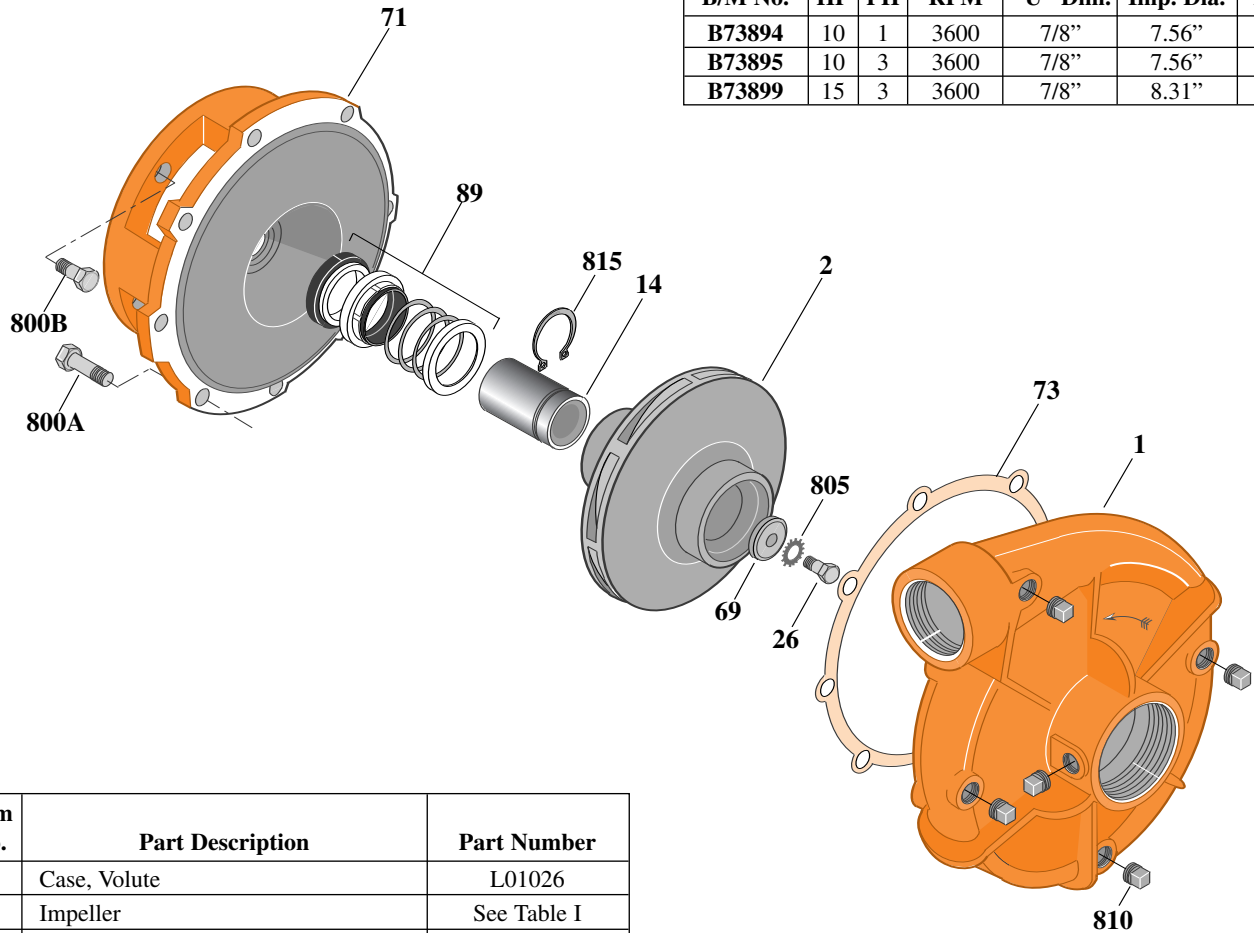
B2ZPLS

Threaded Case (NPT)

Mechanical Shaft Seal Construction

TABLE I

| B/M No. | HP | PH | RPM | "U" Dim. | Imp. Dia. | Imp. No. |
|---------|----|----|------|----------|-----------|----------|
| B73894 | 10 | 1 | 3600 | 7/8" | 7.56" | L08076 |
| B73895 | 10 | 3 | 3600 | 7/8" | 7.56" | L08076 |
| B73899 | 15 | 3 | 3600 | 7/8" | 8.31" | L08077 |



1497 0195

| Item No. | Part Description | Part Number |
|----------|----------------------------------|--------------|
| 1 | Case, Volute | L01026 |
| 2 | Impeller | See Table I |
| 14 | Sleeve, Shaft | S19310 |
| 26 | Screw, Impeller 3/8 - 16 x 1" | S23566 |
| 32 | Key, 3/16 x 1-1/4" (See Note) | S34383 |
| 69 | Washer, Impeller | S06314 |
| 71 | Bracket | See Table II |
| 73 | Gasket, Volute | S05126 |
| 89 | Seal, Mechanical Shaft | S32014 |
| 800A | Capscrew, 3/8 - 16 x 1" (8 Req.) | S26826 |
| 800B | Capscrew, 1/2 - 13 x 1" (4 Req.) | S26912 |
| 805 | Washer, Lock | S23036 |
| 810 | Plug, Pipe 1/4" NPT (5 Req.) | S23715 |
| 815 | Ring, Retaining | S11207 |
| • | Plug, Pipe 1/8" NPT (In Bracket) | S23714 |

• Not illustrated.

TABLE II

| HP | PH | Bracket No. | "AK" Fit | "U" Dim. | Motor Frame |
|----|----|-------------|----------|----------|-------------|
| 10 | 1 | L05331 | 8-1/2" | 7/8" | 215JM |
| 10 | 3 | L05331 | 8-1/2" | 7/8" | 213JM |
| 15 | 3 | L05331 | 8-1/2" | 7/8" | 215JM |

NOTE: For an explanation of the tabulated material found on this page and for impeller key location, refer to *Supplement A* located at the beginning of this section.

NOTE: For seal flush line details, see *Supplement D*.



TYPE "B" SINGLE STAGE CENTRIFUGAL PUMP Electric Motor Drive

| | |
|----------------|-------------------|
| Section | CC |
| Page | 80.10 |
| Date | September 1, 1997 |
| Supersedes/New | |

SILICON BRONZE IMPELLER

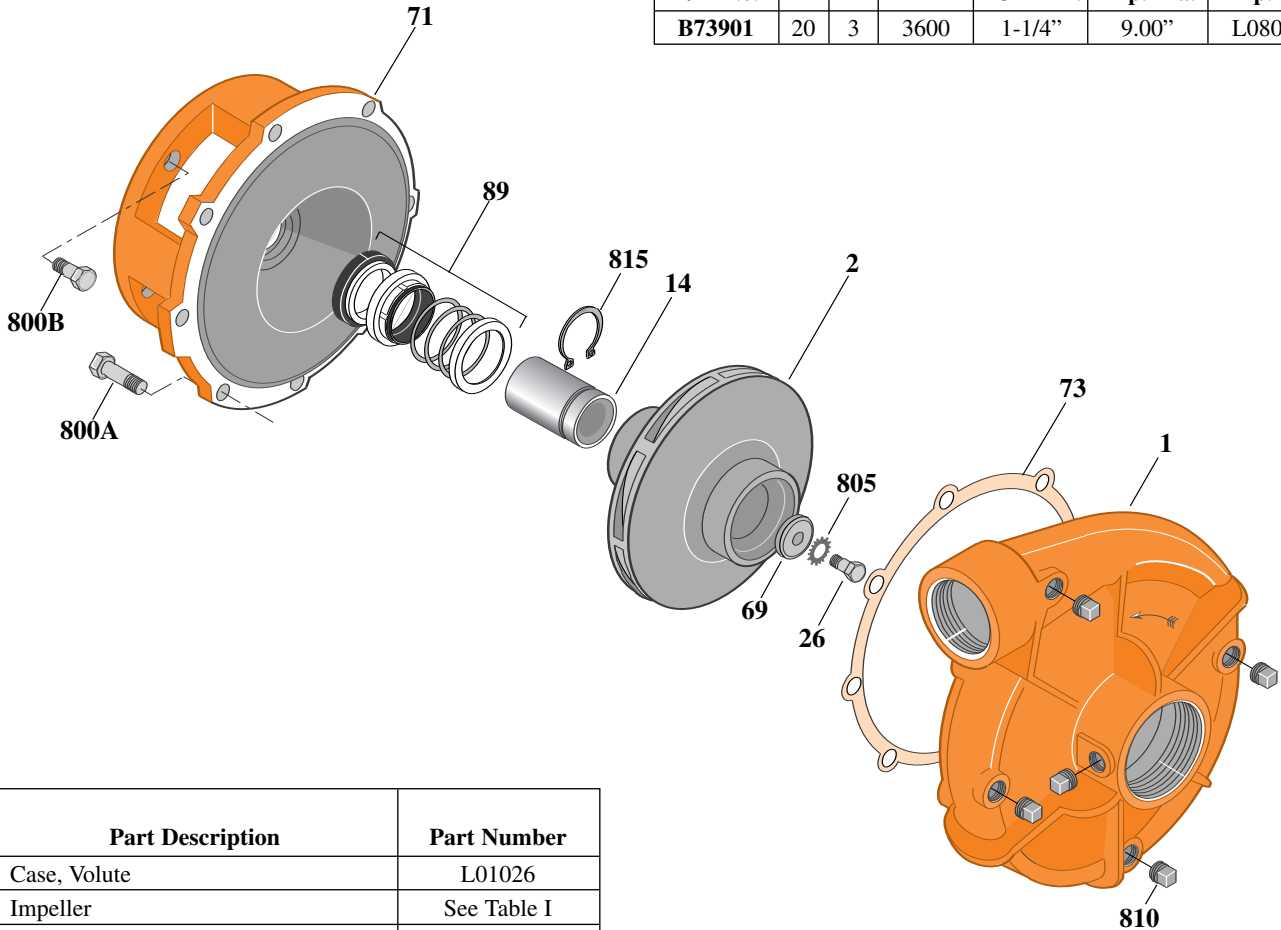
B2ZPLS

Threaded Case (NPT)

Mechanical Shaft Seal Construction

TABLE I

| B/M No. | HP | PH | RPM | "U" Dim. | Imp. Dia. | Imp. No. |
|---------------|----|----|------|----------|-----------|----------|
| B73901 | 20 | 3 | 3600 | 1-1/4" | 9.00" | L08075 |



1607 0195

| Item No. | Part Description | Part Number |
|----------|----------------------------------|--------------|
| 1 | Case, Volute | L01026 |
| 2 | Impeller | See Table I |
| 14 | Sleeve, Shaft | S18869 |
| 26 | Screw, Impeller 1/2 - 13 x 1" | S23619 |
| 32 | Key, 1/4 x 2-1/4" (See Note) | S23677 |
| 69 | Washer, Impeller | S06319 |
| 71 | Bracket | See Table II |
| 73 | Gasket, Volute | S05126 |
| 89 | Seal, Mechanical Shaft | S32015 |
| 800A | Capscrew, 3/8 - 16 x 1" (8 Req.) | S26826 |
| 800B | Capscrew, 1/2 - 13 x 1" (4 Req.) | S26912 |
| 805 | Washer, Lock | S23038 |
| 810 | Plug, Pipe 1/4" NPT (5 Req.) | S23715 |
| 815 | Ring, Retaining | S16767 |
| • | Plug, Pipe 1/8" NPT (In Bracket) | S23714 |

• Not illustrated.

TABLE II

| HP | PH | Bracket No. | "AK" Fit | "U" Dim. | Motor Frame |
|----|----|-------------|----------|----------|-------------|
| 20 | 3 | L04615 | 8-1/2" | 1-1/4" | 254JM |

NOTE: For an explanation of the tabulated material found on this page and for impeller key location, refer to *Supplement A* located at the beginning of this section.

NOTE: For seal flush line details, see *Supplement D*.



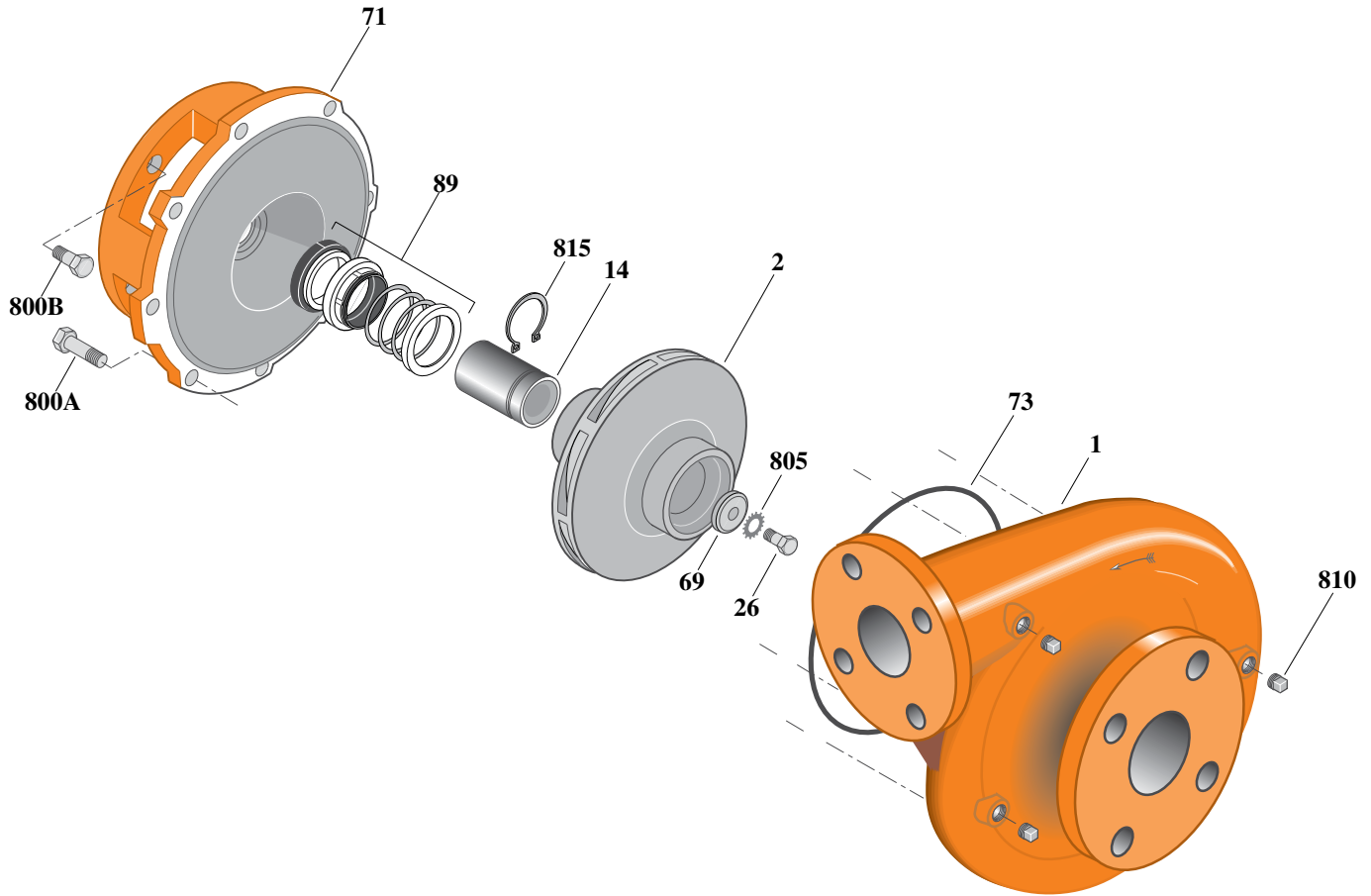
Type "B" Single Stage Centrifugal Pump Electric Motor Drive

| | |
|-------------------|--------------|
| Section | CC |
| Page | 80.11 |
| Date | July 1, 2011 |
| Supersedes 1/1/04 | |

SILICON BRONZE IMPELLERB2ZPLS

Flanged Case

Mechanical Shaft Seal Construction



| Item | Part Description | Part Number |
|------|----------------------------------|--------------|
| 1 | Case, Volute | H05524 |
| 2 | Impeller | See Table I |
| 14 | Sleeve, Shaft | S19310L |
| 26 | Screw, Impeller 3/8 - 16 x 1" | S23566 |
| 32 | Key, 3/16 x 1-1/4" (See Note 1) | S34383 |
| 69 | Washer, Impeller | S06314 |
| 71 | Bracket | See Table II |
| 73 | O-Ring (See Note 2) | M14943 |
| 89 | Seal, Mechanical Shaft | S32014 |
| 800A | Capscrew, 3/8 - 16 x 1" (8 Req.) | S26826 |
| 800B | Capscrew, 1/2 - 13 x 1" (4 Req.) | S26912 |
| 805 | Washer, Lock | S23036 |
| 810 | Plug, Pipe 1/4" NPT (4 Req.) | S23715 |
| 815 | Ring, Retaining | S11207 |
| • | Plug, Pipe 1/8" NPT (In Bracket) | S23714 |

• Not illustrated.

Table I

| B/M No. | HP | PH | RPM | "U" Dim. | Imp. Dia. | Imp. No. |
|---------|----|----|------|----------|-----------|----------|
| B74486 | 10 | 1 | 3600 | 7/8" | 7.56" | L08076 |
| B74487 | 10 | 3 | 3600 | 7/8" | 7.56" | L08076 |
| B74490 | 15 | 3 | 3600 | 7/8" | 8.31" | L08077 |

Table II

| HP | PH | Bracket No. | "AK" Fit | "U" Dim. | Motor Frame |
|----|----|-------------|----------|----------|-------------|
| 10 | 1 | L05331 | 8-1/2" | 7/8" | 215JM |
| 10 | 3 | L05331 | 8-1/2" | 7/8" | 213JM |
| 15 | 3 | L05331 | 8-1/2" | 7/8" | 215JM |

NOTE 1: For an explanation of the tabulated material found on this page and for impeller key location, refer to *Supplement A* located at the beginning of this section.

NOTE 2: For seal flush line details, see *Supplement D*.

NOTE 3: Also accepts gasket S05126 as replacement for o-ring. See *Supplement E* located at the beginning of this section.



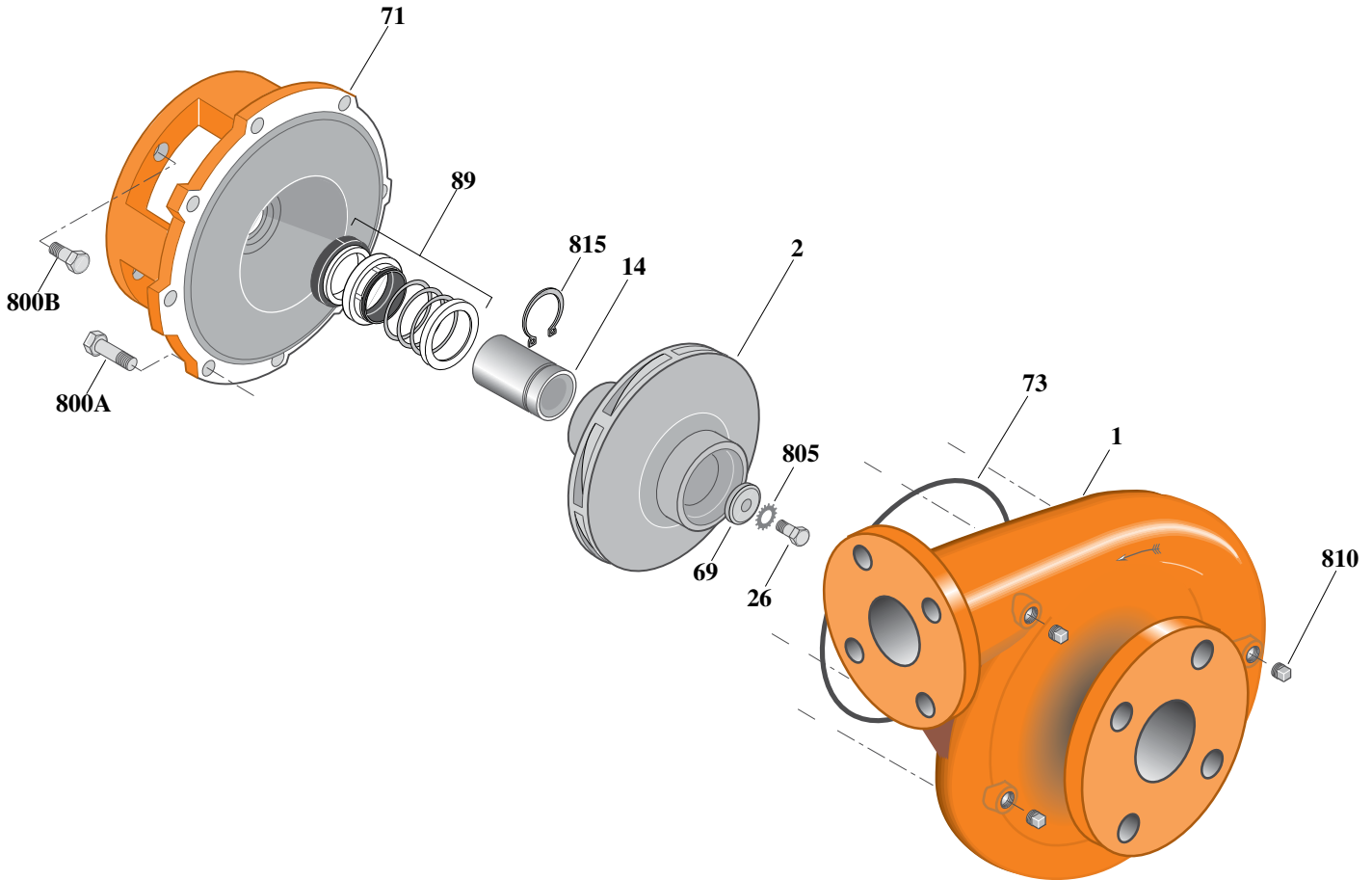
Type "B" Single Stage Centrifugal Pump Electric Motor Drive

| | |
|-------------------|--------------|
| Section | CC |
| Page | 80.12 |
| Date | July 1, 2011 |
| Supersedes 1/1/04 | |

SILICON BRONZE IMPELLER B2ZPLS

Flanged Case

Mechanical Shaft Seal Construction



| Item | Part Description | Part Number |
|------|----------------------------------|--------------|
| 1 | Case, Volute | H05524 |
| 2 | Impeller | See Table I |
| 14 | Sleeve, Shaft | S18869L |
| 26 | Screw, Impeller 1/2 - 13 x 1" | S23619 |
| 32 | Key, 1/4 x 2-1/4" (See Note 1) | S23677 |
| 69 | Washer, Impeller | S06319 |
| 71 | Bracket | See Table II |
| 73 | O-Ring (See Note 2) | M14943 |
| 89 | Seal, Mechanical Shaft | S32015 |
| 800A | Capscrew, 3/8 - 16 x 1" (8 Req.) | S26826 |
| 800B | Capscrew, 1/2 - 13 x 1" (4 Req.) | S26912 |
| 805 | Washer, Lock | S23038 |
| 810 | Plug, Pipe 1/4" NPT (4 Req.) | S23715 |
| 815 | Ring, Retaining | S16767 |
| • | Plug, Pipe 1/8" NPT (In Bracket) | S23714 |

• Not illustrated.

Table I

| B/M No. | HP | PH | RPM | "U" Dim. | Imp. Dia. | Imp. No. |
|---------|----|----|------|----------|-----------|----------|
| B74492 | 20 | 3 | 3600 | 1-1/4" | 9.00" | L08075 |

Table II

| HP | PH | Bracket No. | "AK" Fit | "U" Dim. | Motor Frame |
|----|----|-------------|----------|----------|-------------|
| 20 | 3 | L04615 | 8-1/2" | 1-1/4" | 254JM |

NOTE 1: For an explanation of the tabulated material found on this page and for impeller key location, refer to *Supplement A* located at the beginning of this section.

NOTE 2: For seal flush line details, see *Supplement D*.

NOTE 3: Also accepts gasket S05126 as replacement for o-ring. See *Supplement E* located at the beginning of this section.



Type "B" Single Stage Centrifugal Pump Electric Motor Drive

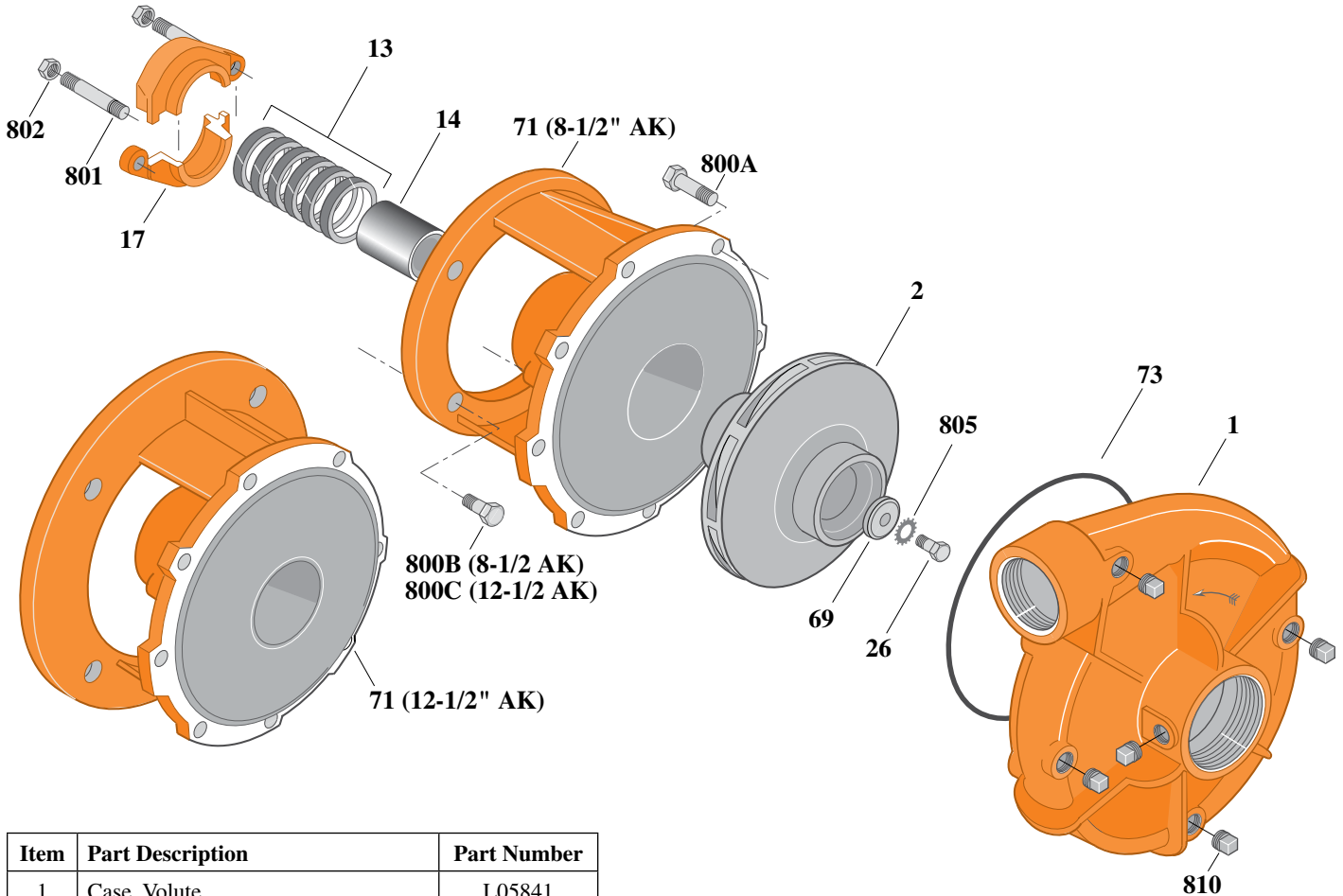
| | |
|-------------------|--------------|
| Section | CC |
| Page | 90.1 |
| Date | July 1, 2011 |
| Supersedes 1/1/04 | |

CAST IRON IMPELLER

B2ZPH

Threaded Case (NPT)

Packing Construction



| Item | Part Description | Part Number |
|------|--------------------------------------|--------------|
| 1 | Case, Volute | L05841 |
| 2 | Impeller | See Table I |
| 13 | Rings, Packing (Set of 6) | S13470 |
| 14 | Sleeve, Shaft | S05149L |
| 17 | Gland, Packing | B82470 |
| 26 | Screw, Impeller 1/2 - 13 x 1" | S23619 |
| 32 | Key, 1/4 x 2-1/4" (See Note 1) | S23677 |
| 69 | Washer, Impeller | S06319 |
| 71 | Bracket | See Table II |
| 73 | O-Ring (See Note 2) | M14943 |
| 800A | Capscrew, 3/8 - 16 x 1" (8 Req.) | S26826 |
| 800B | Capscrew, 1/2 - 13 x 1-1/2" (4 Req.) | S26916 |
| 800C | Capscrew, 5/8 - 11 x 1-1/2" (4 Req.) | S26999 |
| 801 | Stud, 3/8 - 16 x 4" (2 Req.) | S08303 |
| 802 | Nut, Hex 3/8 - 16 (2 Req.) | S23343 |
| 805 | Washer, Lock | S23038 |
| 810 | Plug, Pipe 1/4 NPT (5 Req.) | S23175 |

Table I

| B/M No. | HP | PH | RPM | "U" Dim. | Imp. Dia. | Imp. No. |
|---------|----|----|------|----------|-----------|----------|
| B58067 | 25 | 3 | 3600 | 1-1/4" | 8.62" | M07667 |
| B58149 | 30 | 3 | 3600 | 1-1/4" | 9.00" | M07306 |

Table II

| HP | PH | Bracket No. | "AK" Fit | "U" Dim. | Motor Frame |
|----|----|-------------|----------|----------|-------------|
| 25 | 3 | L03827 | 8-1/2" | 1-1/4" | 256JP |
| 30 | 3 | L01563 | 12-1/2" | 1-1/4" | 284JP |

NOTE 1: For an explanation of the tabulated material found on this page and for impeller key location, refer to *Supplement A* located at the beginning of this section.

NOTE 2: Also accepts gasket S05126 as replacement for o-ring. See *Supplement E* located at the beginning of this section.



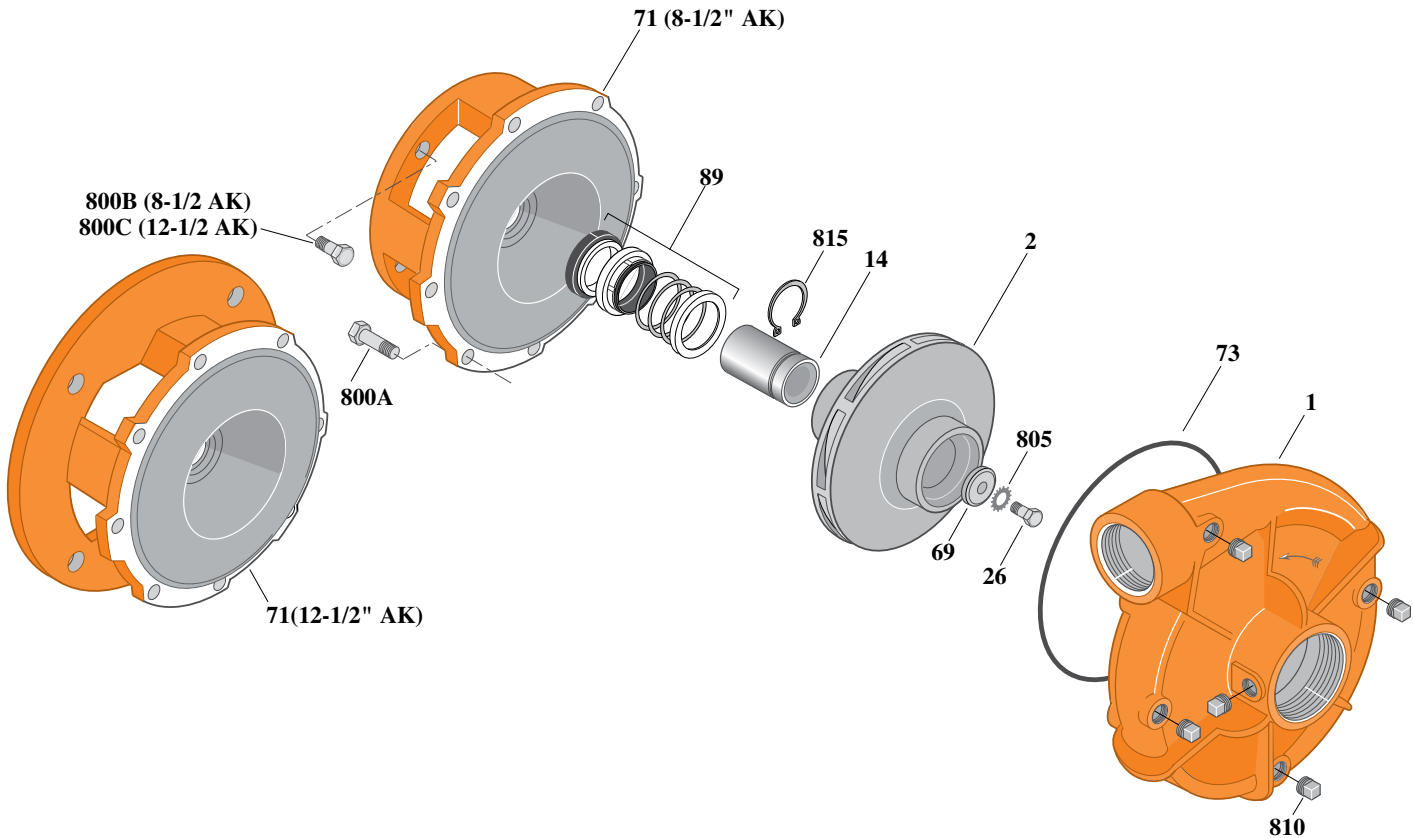
Type "B" Single Stage Centrifugal Pump Electric Motor Drive

| | |
|-------------------|--------------|
| Section | CC |
| Page | 90.2 |
| Date | July 1, 2011 |
| Supersedes 1/1/04 | |

CAST IRON IMPELLERB2ZPHS

Threaded Case (NPT)

Mechanical Shaft Seal Construction



| Item | Part Description | Part Number |
|------|--|--------------|
| 1 | Case, Volute | L05841 |
| 2 | Impeller | See Table I |
| 14 | Sleeve, Shaft | S18869L |
| 26 | Screw, Impeller 1/2 - 13 x 1" | S23619 |
| 32 | Key, 1/4 x 2-1/4" (See Note 1) | S23677 |
| 69 | Washer, Impeller | S06319 |
| 71 | Bracket | See Table II |
| 73 | O-Ring (See Note 2) | M14943 |
| 89 | Seal, Mechanical Shaft | S32015 |
| 800A | Capscrew, 3/8 - 16 x 1" (8 Req.) | S26826 |
| 800B | Capscrew, 1/2 - 13 x 1" (4 Req.) (For 8-1/2 AK) | S26912 |
| 800B | Capscrew, 5/8 - 11 x 1-1/4" (4 Req.) (For 12-1/2 AK) | S26997 |
| 805 | Washer, Lock | S23038 |
| 810 | Plug, Pipe 1/4 NPT (5 Req.) | S23715 |
| 815 | Ring, Retaining | S16767 |

Table I

| B/M No. | HP | PH | RPM | "U" Dim. | Imp. Dia. | Imp. No. |
|---------|----|----|------|----------|-----------|----------|
| B58068 | 25 | 3 | 3600 | 1-1/4" | 8.62" | M07667 |
| B58069 | 30 | 3 | 3600 | 1-1/4" | 9.00" | M07306 |

Table II

| HP | PH | Bracket No. | "AK" Fit | "U" Dim. | Motor Frame |
|----|----|-------------|----------|----------|-------------|
| 25 | 3 | L04615 | 8-1/2" | 1-1/4" | 256JM |
| 30 | 3 | L04627 | 12-1/2" | 1-1/4" | 284JM |

NOTE 1: For an explanation of the tabulated material found on this page and for impeller key location, refer to *Supplement A* located at the beginning of this section.

NOTE 2: Also accepts gasket S05126 as replacement for o-ring. See *Supplement E* located at the beginning of this section.



Type "B" Single Stage Centrifugal Pump Electric Motor Drive

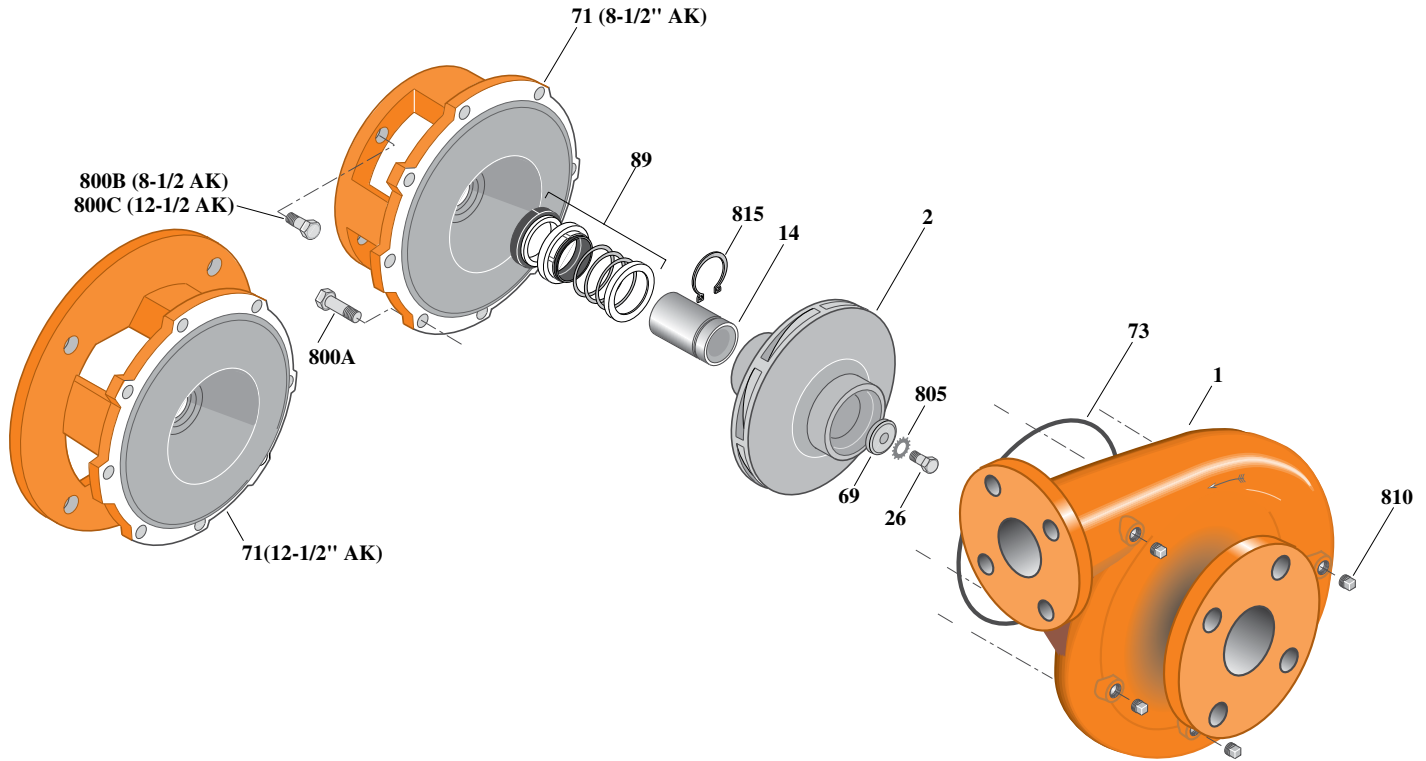
| | |
|-------------------|--------------|
| Section | CC |
| Page | 90.3 |
| Date | July 1, 2011 |
| Supersedes 1/1/04 | |

CAST IRON IMPELLER

B2ZPHS

Flanged Case

Mechanical Shaft Seal Construction



| Item | Part Description | Part Number |
|------|--|--------------|
| 1 | Case, Volute | H05543 |
| 2 | Impeller | See Table I |
| 14 | Sleeve, Shaft | S18869L |
| 26 | Screw, Impeller 1/2 - 13 x 1" | S23619 |
| 32 | Key, 1/4 x 2-1/4" (See Note 1) | S23677 |
| 69 | Washer, Impeller | S06319 |
| 71 | Bracket | See Table II |
| 73 | O-Ring (See Note 2) | M14943 |
| 89 | Seal, Mechanical Shaft | S32015 |
| 800A | Capscrew, 3/8 - 16 x 1" (8 Req.) | S26826 |
| 800B | Capscrew, 1/2 - 13 x 1" (4 Req.) (For 8-1/2 AK) | S26912 |
| 800B | Capscrew, 5/8 - 11 x 1-1/4" (4 Req.) (For 12-1/2 AK) | S26997 |
| 805 | Washer, Lock | S23038 |
| 810 | Plug, Pipe 1/4 NPT (5 Req.) | S23715 |
| 815 | Ring, Retaining | S16767 |

Table I

| B/M No. | HP | PH | RPM | "U" Dim. | Imp. Dia. | Imp. No. |
|---------|----|----|------|----------|-----------|----------|
| B76253 | 25 | 3 | 3600 | 1-1/4" | 8.62" | M07667 |
| B76304 | 30 | 3 | 3600 | 1-1/4" | 9.00" | M07306 |

Table II

| HP | PH | Bracket No. | "AK" Fit | "U" Dim. | Motor Frame |
|----|----|-------------|----------|----------|-------------|
| 25 | 3 | L04615 | 8-1/2" | 1-1/4" | 256JM |
| 30 | 3 | L04627 | 12-1/2" | 1-1/4" | 284JM |

NOTE 1: For an explanation of the tabulated material found on this page and for impeller key location, refer to *Supplement A* located at the beginning of this section.

NOTE 2: Also accepts gasket S05126 as replacement for o-ring. See *Supplement E* located at the beginning of this section.



TYPE "B" SINGLE STAGE CENTRIFUGAL PUMP Electric Motor Drive

| | |
|-------------------|-----------------|
| Section | CC |
| Page | 100.1 |
| Date | January 1, 2004 |
| Supersedes 6/1/95 | |

CAST IRON IMPELLER

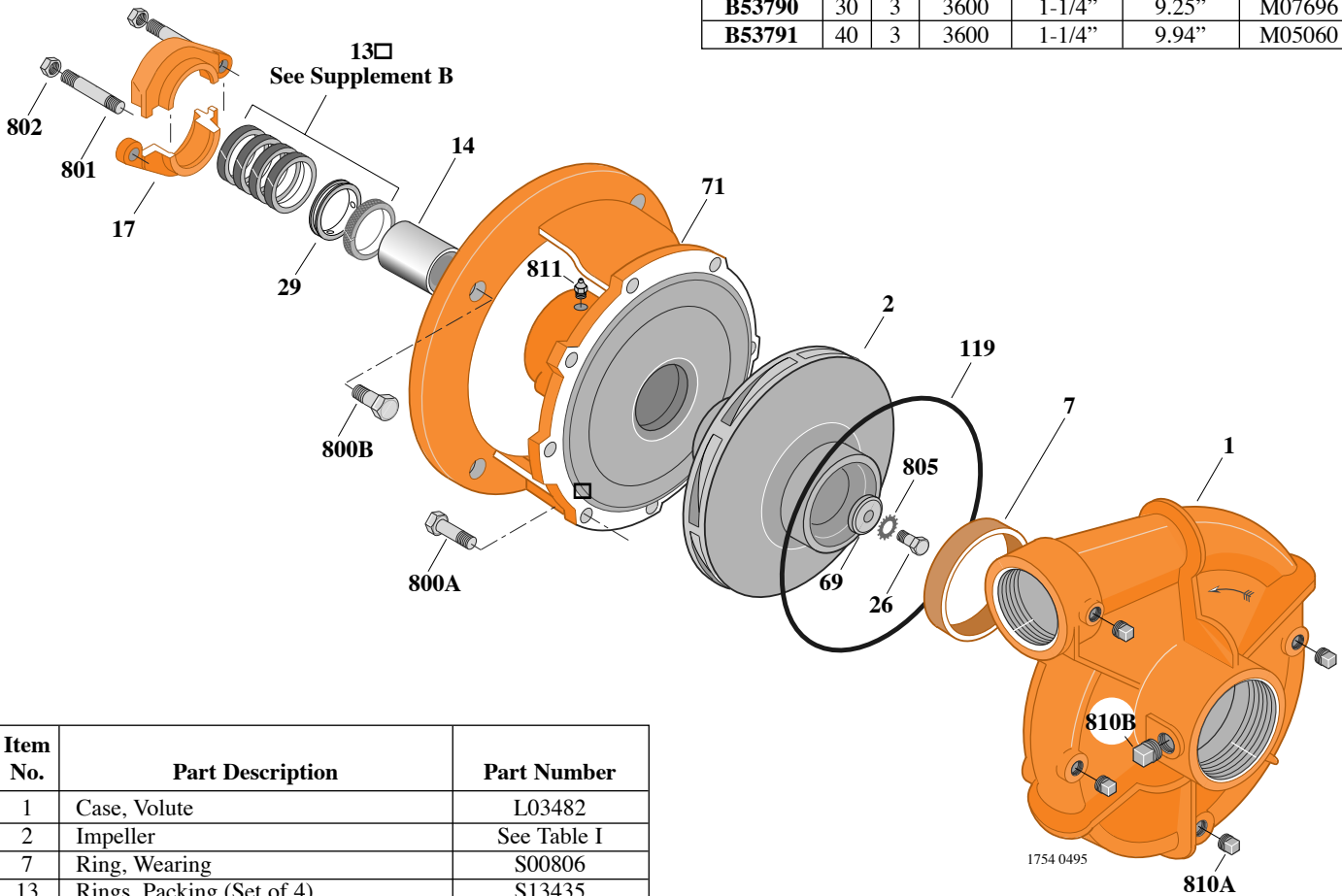
B2EPBL

Threaded Case (NPT)

Packing Construction

TABLE I

| B/M No. | HP | PH | RPM | "U" Dim. | Imp. Dia. | Imp. No. |
|---------------|----|----|------|----------|-----------|----------|
| B53790 | 30 | 3 | 3600 | 1-1/4" | 9.25" | M07696 |
| B53791 | 40 | 3 | 3600 | 1-1/4" | 9.94" | M05060 |



| Item No. | Part Description | Part Number |
|----------|--------------------------------------|--------------|
| 1 | Case, Volute | L03482 |
| 2 | Impeller | See Table I |
| 7 | Ring, Wearing | S00806 |
| 13 | Rings, Packing (Set of 4) | S13435 |
| 14 | Sleeve, Shaft | S05149 |
| 17 | Gland, Packing | B82470 |
| 26 | Screw, Impeller 1/2 - 13 x 1-1/4" | S23621 |
| 29 | Ring, Lantern | S19200 |
| 32 | Key, 1/4 x 2-1/4" (See Note) | S23677 |
| 69 | Washer, Impeller | S06319 |
| 71 | Bracket | See Table II |
| 119 | O-Ring | S13760 |
| 800A | Capscrew, 1/2 - 13 x 1-1/4" (8 Req.) | S26914 |
| 800B | Capscrew, 5/8 - 11 x 1-1/2" (4 Req.) | S26999 |
| 801 | Stud, 3/8 - 16 x 2-1/2" (2 Req.) | S04438 |
| 802 | Nut, Hex 3/8 - 16 (2 Req.) | S23343 |
| 805 | Washer, Lock | S23038 |
| 810A | Plug, Pipe 1/4 NPT (4 Req.) | S23715 |
| 810B | Plug, Pipe 1/2 NPT | S23717 |
| 811 | Fitting, Grease | S23700 |

TABLE II

| HP | PH | Bracket No. | "AK" Fit | "U" Dim. | Motor Frame |
|----|----|-------------|----------|----------|-------------|
| 30 | 3 | L03712 | 12-1/2" | 1-1/4" | 284JP |
| 40 | 3 | L03712 | 12-1/2" | 1-1/4" | 286JP |

NOTE: For an explanation of the tabulated material found on this page and for impeller key location, refer to *Supplement A* located at the beginning of this section.



TYPE "B" SINGLE STAGE CENTRIFUGAL PUMP Electric Motor Drive

| | |
|-------------------|-----------------|
| Section | CC |
| Page | 100.2 |
| Date | January 1, 2004 |
| Supersedes 6/1/95 | |

CAST IRON IMPELLER

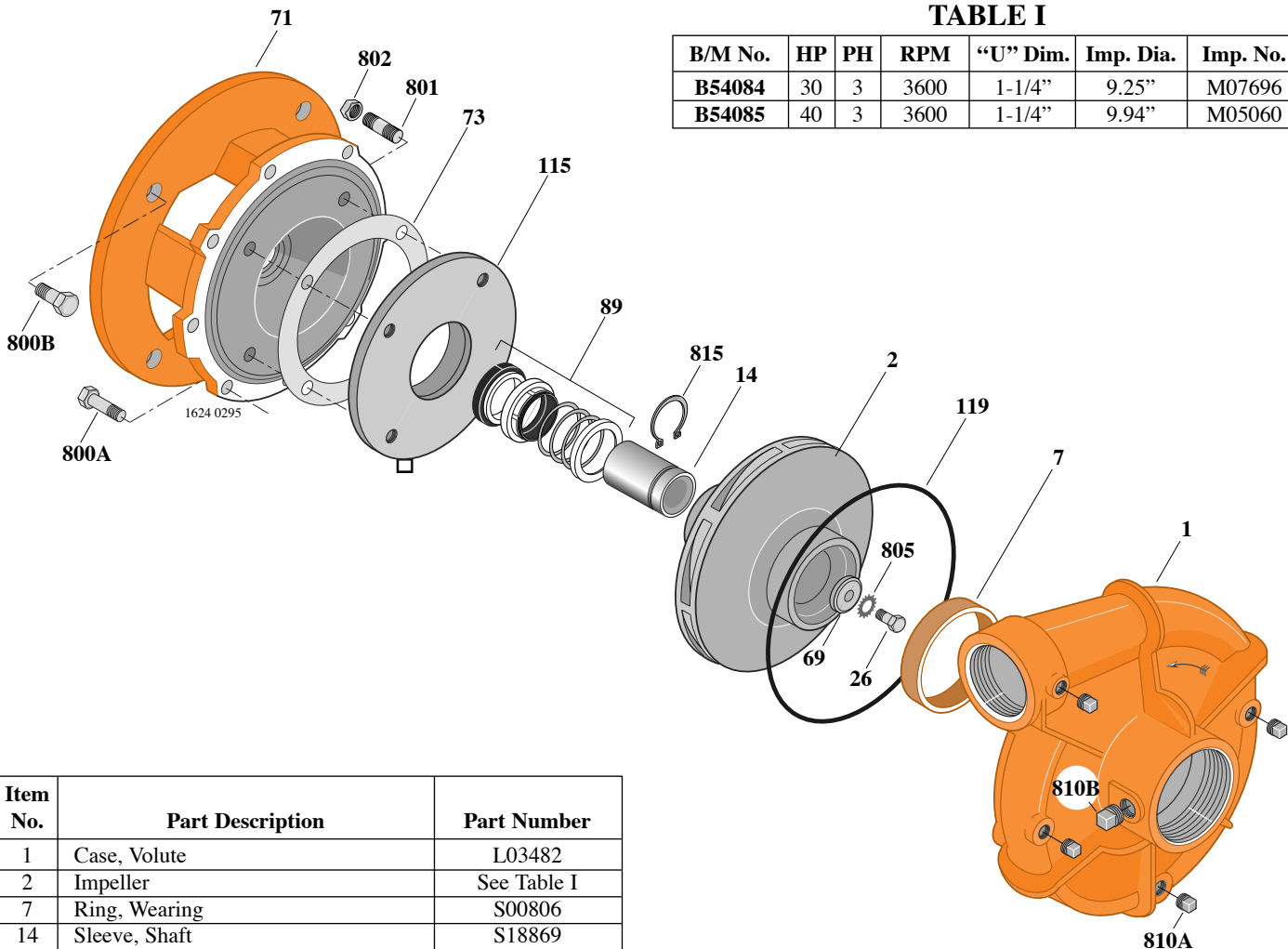
B2EPBLS

Threaded Case (NPT)

Mechanical Shaft Seal Construction

TABLE I

| B/M No. | HP | PH | RPM | "U" Dim. | Imp. Dia. | Imp. No. |
|---------|----|----|------|----------|-----------|----------|
| B54084 | 30 | 3 | 3600 | 1-1/4" | 9.25" | M07696 |
| B54085 | 40 | 3 | 3600 | 1-1/4" | 9.94" | M05060 |



| Item No. | Part Description | Part Number |
|----------|--------------------------------------|--------------|
| 1 | Case, Volute | L03482 |
| 2 | Impeller | See Table I |
| 7 | Ring, Wearing | S00806 |
| 14 | Sleeve, Shaft | S18869 |
| 26 | Screw, Impeller 1/2 - 13 x 1-1/4" | S23621 |
| 32 | Key, 1/4 x 2-1/4" (See Note) | S23677 |
| 69 | Washer, Impeller | S06319 |
| 71 | Bracket | See Table II |
| 73 | Gasket, Balance Ring | S09943 |
| 89 | Seal, Mechanical Shaft | S32015 |
| 115 | Ring, Balance | S19262 |
| 119 | O-Ring | S13760 |
| 800A | Capscrew, 1/2 - 13 x 1-1/4" (8 Req.) | S26914 |
| 800B | Capscrew, 5/8 - 11 x 1-1/2" (4 Req.) | S26999 |
| 801 | Stud, 3/8 - 16 x 1-1/4" (4 Req.) | S23994 |
| 802 | Nut, 3/8 - 16 (4 Req.) | S23103 |
| 805 | Washer, Lock | S23038 |
| 810A | Plug, Pipe 1/4 NPT (4 Req.) | S23715 |
| 810B | Plug, Pipe 1/2 NPT | S23717 |
| 815 | Ring, Retaining | S16767 |

TABLE II

| HP | PH | Bracket No. | "AK" Fit | "U" Dim. | Motor Frame |
|----|----|-------------|----------|----------|-------------|
| 30 | 3 | L04628 | 12-1/2" | 1-1/4" | 284JM |
| 40 | 3 | L04628 | 12-1/2" | 1-1/4" | 286JM |

NOTE: For an explanation of the tabulated material found on this page and for impeller key location, refer to *Supplement A* located at the beginning of this section.



TYPE "B" SINGLE STAGE CENTRIFUGAL PUMP Electric Motor Drive

| | |
|----------------|-------------------|
| Section | CC |
| Page | 100.3 |
| Date | September 1, 1995 |
| Supersedes/New | |

SILICON BRONZE IMPELLER

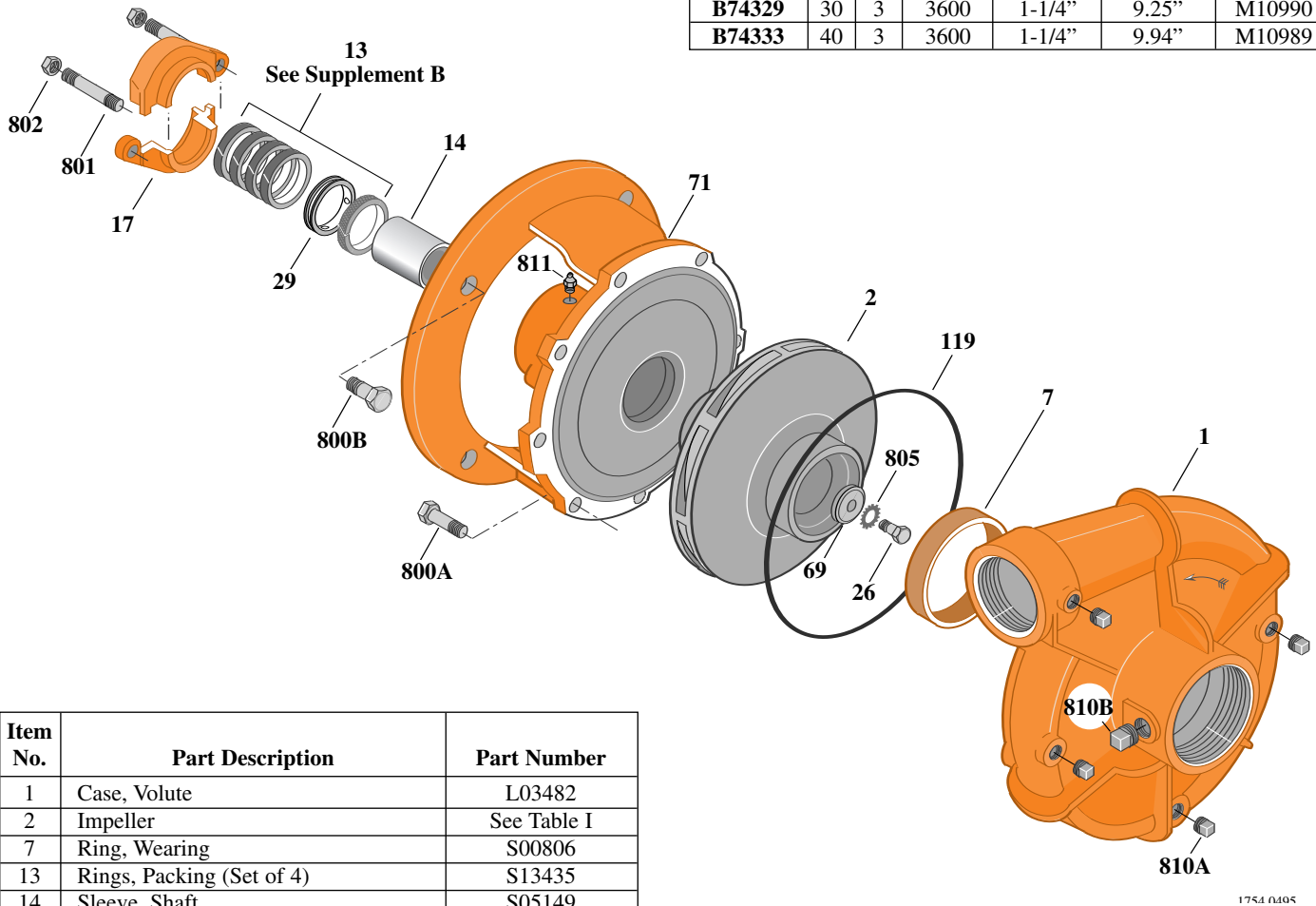
B2EPBL

Threaded Case (NPT)

Packing Construction

TABLE I

| B/M No. | HP | PH | RPM | "U" Dim. | Imp. Dia. | Imp. No. |
|---------|----|----|------|----------|-----------|----------|
| B74329 | 30 | 3 | 3600 | 1-1/4" | 9.25" | M10990 |
| B74333 | 40 | 3 | 3600 | 1-1/4" | 9.94" | M10989 |



| Item No. | Part Description | Part Number |
|----------|--------------------------------------|--------------|
| 1 | Case, Volute | L03482 |
| 2 | Impeller | See Table I |
| 7 | Ring, Wearing | S00806 |
| 13 | Rings, Packing (Set of 4) | S13435 |
| 14 | Sleeve, Shaft | S05149 |
| 17 | Gland, Packing | S12034 |
| 26 | Screw, Impeller 1/2 - 13 x 1-1/4" | S23621 |
| 29 | Ring, Lantern | S19200 |
| 32 | Key, 1/4 x 2-1/4" (See Note) | S23677 |
| 69 | Washer, Impeller | S06319 |
| 71 | Bracket | See Table II |
| 119 | O-Ring | S13760 |
| 800A | Capscrew, 1/2 - 13 x 1-1/4" (8 Req.) | S26914 |
| 800B | Capscrew, 5/8 - 11 x 1-1/2" (4 Req.) | S26999 |
| 801 | Stud, 3/8 - 16 x 2-1/2" (2 Req.) | S04438 |
| 802 | Nut, Hex 3/8 - 16 (2 Req.) | S23343 |
| 805 | Washer, Lock | S23038 |
| 810A | Plug, Pipe 1/4 NPT (4 Req.) | S23715 |
| 810B | Plug, Pipe 1/2 NPT | S23717 |
| 811 | Fitting, Grease | S23700 |

TABLE II

| HP | PH | Bracket No. | "AK" Fit | "U" Dim. | Motor Frame |
|----|----|-------------|----------|----------|-------------|
| 30 | 3 | L03712 | 12-1/2" | 1-1/4" | 284JP |
| 40 | 3 | L03712 | 12-1/2" | 1-1/4" | 286JP |

NOTE: For an explanation of the tabulated material found on this page and for impeller key location, refer to *Supplement A* located at the beginning of this section.



TYPE "B" SINGLE STAGE CENTRIFUGAL PUMP Electric Motor Drive

| | |
|----------------|-------------------|
| Section | CC |
| Page | 100.4 |
| Date | September 1, 1995 |
| Supersedes/New | |

SILICON BRONZE IMPELLER

B2EPBLS

Threaded Case (NPT)

Mechanical Shaft Seal Construction

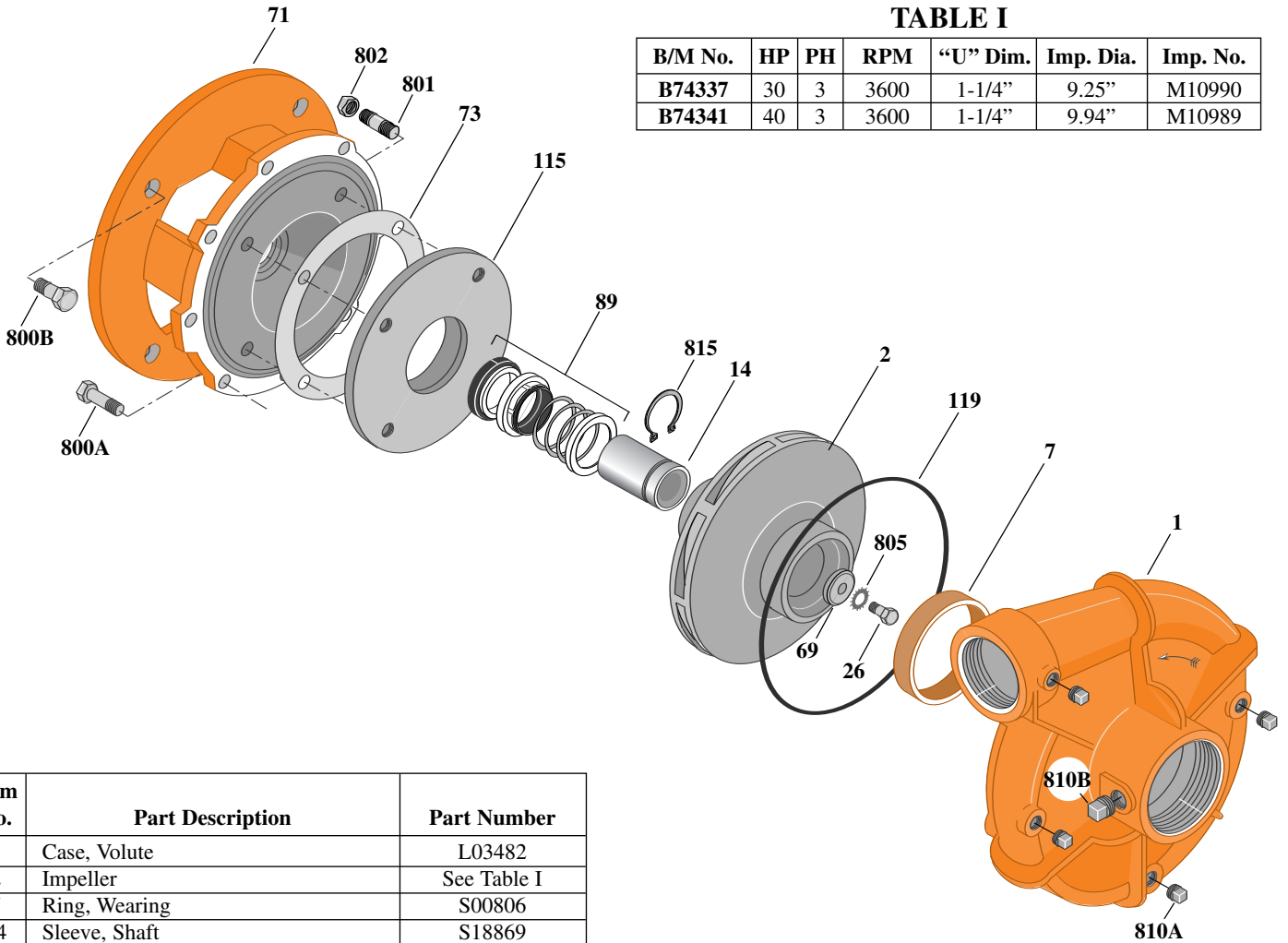


TABLE I

| B/M No. | HP | PH | RPM | "U" Dim. | Imp. Dia. | Imp. No. |
|---------|----|----|------|----------|-----------|----------|
| B74337 | 30 | 3 | 3600 | 1-1/4" | 9.25" | M10990 |
| B74341 | 40 | 3 | 3600 | 1-1/4" | 9.94" | M10989 |

| Item No. | Part Description | Part Number |
|----------|--------------------------------------|--------------|
| 1 | Case, Volute | L03482 |
| 2 | Impeller | See Table I |
| 7 | Ring, Wearing | S00806 |
| 14 | Sleeve, Shaft | S18869 |
| 26 | Screw, Impeller 1/2 - 13 x 1-1/4" | S23621 |
| 32 | Key, 1/4 x 2-1/4" (See Note) | S23677 |
| 69 | Washer, Impeller | S06319 |
| 71 | Bracket | See Table II |
| 73 | Gasket, Balance Ring | S09943 |
| 89 | Seal, Mechanical Shaft | S32015 |
| 115 | Ring, Balance | S19262 |
| 119 | O-Ring | S13760 |
| 800A | Capscrew, 1/2 - 13 x 1-1/4" (8 Req.) | S26914 |
| 800B | Capscrew, 5/8 - 11 x 1-1/2" (4 Req.) | S26999 |
| 801 | Stud, 3/8 - 16 x 1-1/4" (4 Req.) | S23994 |
| 802 | Nut, 3/8 - 16 (4 Req.) | S23103 |
| 805 | Washer, Lock | S23038 |
| 810A | Plug, Pipe 1/4 NPT (4 Req.) | S23715 |
| 810B | Plug, Pipe 1/2 NPT | S23717 |
| 815 | Ring, Retaining | S16767 |

TABLE II

| HP | PH | Bracket No. | "AK" Fit | "U" Dim. | Motor Frame |
|----|----|-------------|----------|----------|-------------|
| 30 | 3 | L04628 | 12-1/2" | 1-1/4" | 284JM |
| 40 | 3 | L04628 | 12-1/2" | 1-1/4" | 286JM |

NOTE: For an explanation of the tabulated material found on this page and for impeller key location, refer to *Supplement A* located at the beginning of this section.



TYPE "B" SINGLE STAGE CENTRIFUGAL PUMP Electric Motor Drive

| | |
|-------------------|-----------------|
| Section | CC |
| Page | 100.5 |
| Date | January 1, 2004 |
| Supersedes 9/1/97 | |

SILICON BRONZE IMPELLER

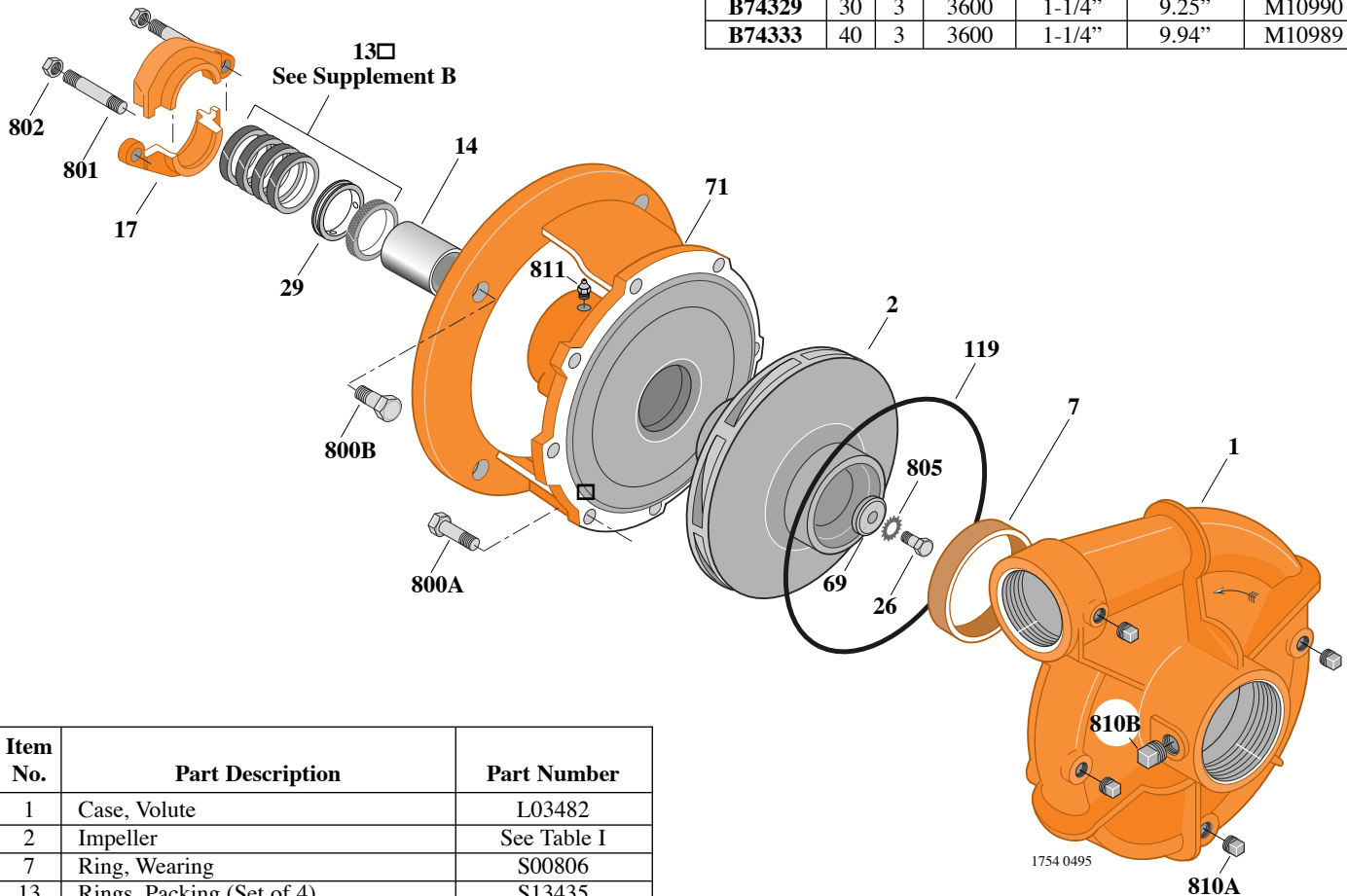
B2EPBL

Threaded Case (NPT)

Packing Construction

TABLE I

| B/M No. | HP | PH | RPM | "U" Dim. | Imp. Dia. | Imp. No. |
|---------|----|----|------|----------|-----------|----------|
| B74329 | 30 | 3 | 3600 | 1-1/4" | 9.25" | M10990 |
| B74333 | 40 | 3 | 3600 | 1-1/4" | 9.94" | M10989 |



| Item No. | Part Description | Part Number |
|----------|--------------------------------------|--------------|
| 1 | Case, Volute | L03482 |
| 2 | Impeller | See Table I |
| 7 | Ring, Wearing | S00806 |
| 13 | Rings, Packing (Set of 4) | S13435 |
| 14 | Sleeve, Shaft | S05149 |
| 17 | Gland, Packing | B82470 |
| 26 | Screw, Impeller 1/2 - 13 x 1-1/4" | S23621 |
| 29 | Ring, Lantern | S19200 |
| 32 | Key, 1/4 x 2-1/4" (See Note) | S23677 |
| 69 | Washer, Impeller | S06319 |
| 71 | Bracket | See Table II |
| 119 | O-Ring | S13760 |
| 800A | Capscrew, 1/2 - 13 x 1-1/4" (8 Req.) | S26914 |
| 800B | Capscrew, 5/8 - 11 x 1-1/2" (4 Req.) | S26999 |
| 801 | Stud, 3/8 - 16 x 2-1/2" (2 Req.) | S04438 |
| 802 | Nut, Hex 3/8 - 16 (2 Req.) | S23343 |
| 805 | Washer, Lock | S23038 |
| 810A | Plug, Pipe 1/4" NPT (4 Req.) | S23715 |
| 810B | Plug, Pipe 1/2" NPT | S23717 |
| 811 | Fitting, Grease | S23700 |

TABLE II

| HP | PH | Bracket No. | "AK" Fit | "U" Dim. | Motor Frame |
|----|----|-------------|----------|----------|-------------|
| 30 | 3 | L03712 | 12-1/2" | 1-1/4" | 284JP |
| 40 | 3 | L03712 | 12-1/2" | 1-1/4" | 286JP |

NOTE: For an explanation of the tabulated material found on this page and for impeller key location, refer to *Supplement A* located at the beginning of this section.



TYPE "B" SINGLE STAGE CENTRIFUGAL PUMP Electric Motor Drive

| | |
|-------------------|-----------------|
| Section | CC |
| Page | 100.6 |
| Date | January 1, 2004 |
| Supersedes 9/1/97 | |

SILICON BRONZE IMPELLER

B2EPBLS

Threaded Case (NPT)

Mechanical Shaft Seal Construction

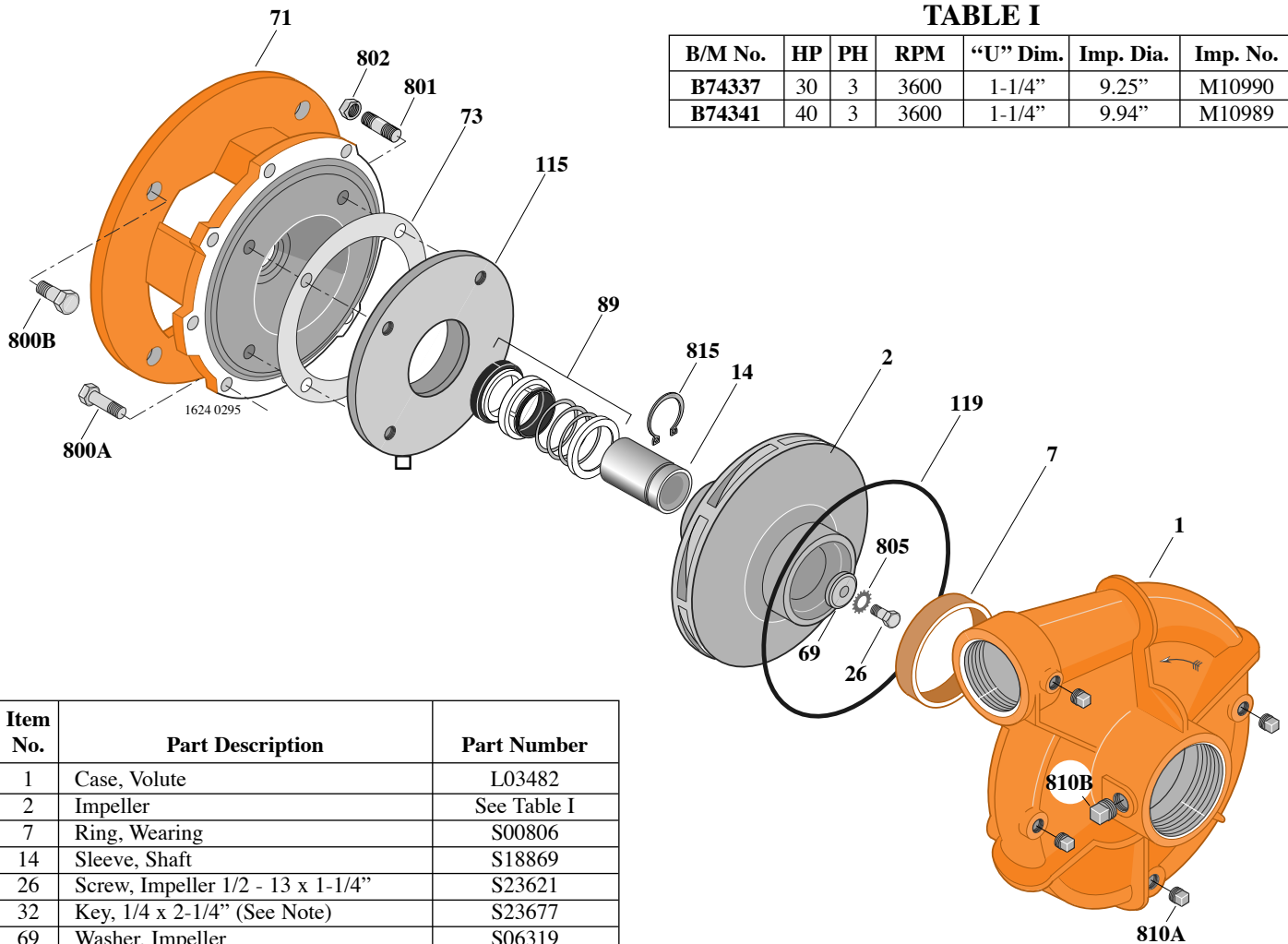


TABLE I

| B/M No. | HP | PH | RPM | "U" Dim. | Imp. Dia. | Imp. No. |
|---------|----|----|------|----------|-----------|----------|
| B74337 | 30 | 3 | 3600 | 1-1/4" | 9.25" | M10990 |
| B74341 | 40 | 3 | 3600 | 1-1/4" | 9.94" | M10989 |

| Item No. | Part Description | Part Number |
|----------|--------------------------------------|--------------|
| 1 | Case, Volute | L03482 |
| 2 | Impeller | See Table I |
| 7 | Ring, Wearing | S00806 |
| 14 | Sleeve, Shaft | S18869 |
| 26 | Screw, Impeller 1/2 - 13 x 1-1/4" | S23621 |
| 32 | Key, 1/4 x 2-1/4" (See Note) | S23677 |
| 69 | Washer, Impeller | S06319 |
| 71 | Bracket | See Table II |
| 73 | Gasket, Balance Ring | S09943 |
| 89 | Seal, Mechanical Shaft | S32015 |
| 115 | Ring, Balance | S19262 |
| 119 | O-Ring | S13760 |
| 800A | Capscrew, 1/2 - 13 x 1-1/4" (8 Req.) | S26914 |
| 800B | Capscrew, 5/8 - 11 x 1-1/2" (4 Req.) | S26999 |
| 801 | Stud, 3/8 - 16 x 1-1/4" (4 Req.) | S23994 |
| 802 | Nut, 3/8 - 16 (4 Req.) | S23103 |
| 805 | Washer, Lock | S23038 |
| 810A | Plug, Pipe 1/4" NPT (4 Req.) | S23715 |
| 810B | Plug, Pipe 1/2" NPT | S23717 |
| 815 | Ring, Retaining | S16767 |
| • | Plug, Pipe 1/8" NPT (In Bracket) | S23714 |

• Not illustrated.

TABLE II

| HP | PH | Bracket No. | "AK" Fit | "U" Dim. | Motor Frame |
|----|----|-------------|----------|----------|-------------|
| 30 | 3 | L04628 | 12-1/2" | 1-1/4" | 284JM |
| 40 | 3 | L04628 | 12-1/2" | 1-1/4" | 286JM |

NOTE: For an explanation of the tabulated material found on this page and for impeller key location, refer to *Supplement A* located at the beginning of this section.

NOTE: For seal flush line details, see *Supplement D*.



TYPE "B" SINGLE STAGE CENTRIFUGAL PUMP Electric Motor Drive

| | |
|-------------------|-----------------|
| Section | CC |
| Page | 100.7 |
| Date | January 1, 2004 |
| Supersedes 9/1/97 | |

SILICON BRONZE IMPELLER

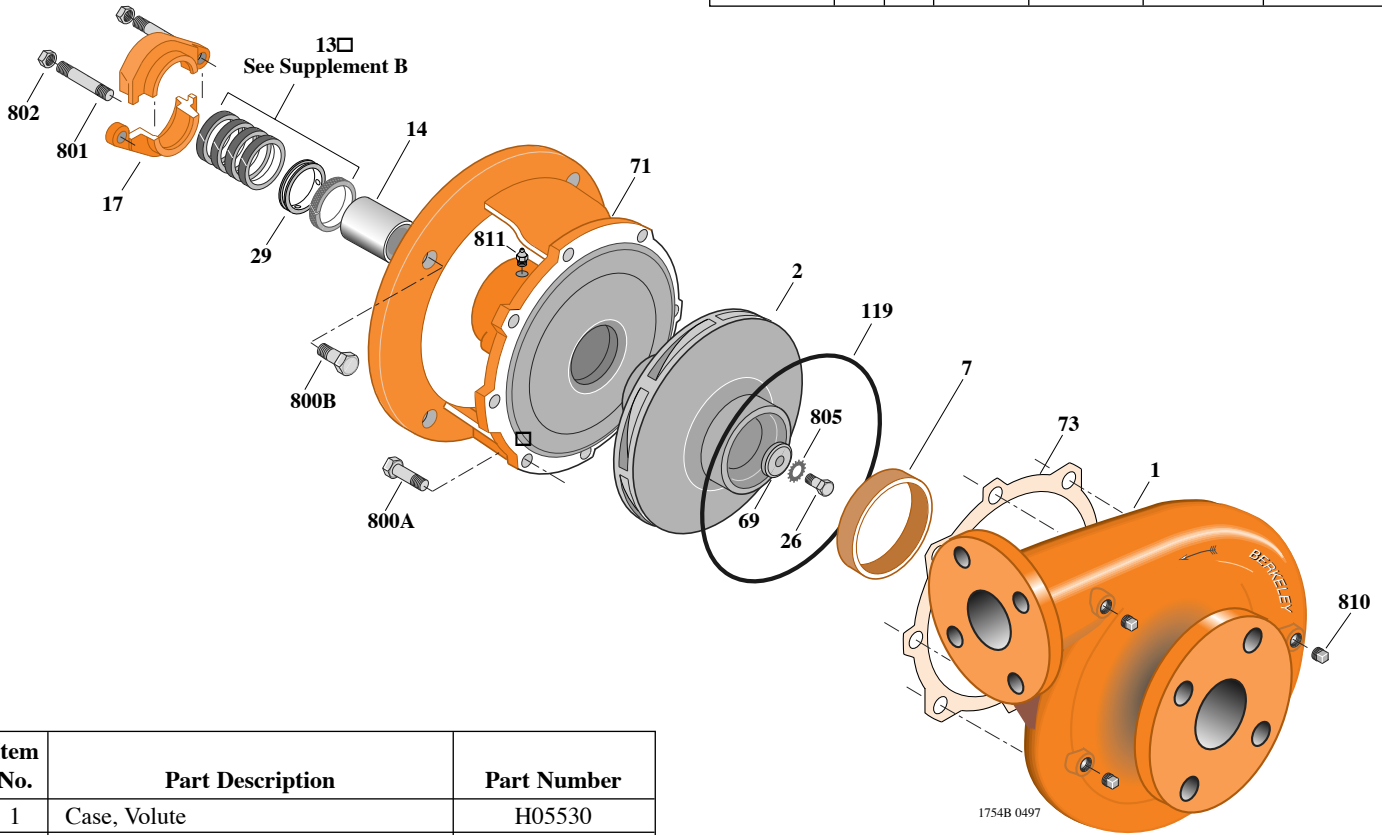
B2EPBL

Flanged Case

Packing Construction

TABLE I

| B/M No. | HP | PH | RPM | "U" Dim. | Imp. Dia. | Imp. No. |
|---------------|----|----|------|----------|-----------|----------|
| B74496 | 30 | 3 | 3600 | 1-1/4" | 9.25" | M10990 |
| B74499 | 40 | 3 | 3600 | 1-1/4" | 9.94" | M10989 |



| Item No. | Part Description | Part Number |
|----------|--------------------------------------|--------------|
| 1 | Case, Volute | H05530 |
| 2 | Impeller | See Table I |
| 7 | Ring, Wearing | S00806 |
| 13 | Rings, Packing (Set of 4) | S13435 |
| 14 | Sleeve, Shaft | S05149 |
| 17 | Gland, Packing | B82470 |
| 26 | Screw, Impeller 1/2 - 13 x 1-1/4" | S23621 |
| 29 | Ring, Lantern | S19200 |
| 32 | Key, 1/4 x 2-1/4" (See Note) | S23677 |
| 69 | Washer, Impeller | S06319 |
| 71 | Bracket | See Table II |
| 119 | O-Ring | S13760 |
| 800A | Capscrew, 1/2 - 13 x 1-1/4" (8 Req.) | S26914 |
| 800B | Capscrew, 5/8 - 11 x 1-1/2" (4 Req.) | S26999 |
| 801 | Stud, 3/8 - 16 x 2-1/2" (2 Req.) | S04438 |
| 802 | Nut, Hex 3/8 - 16 (2 Req.) | S23343 |
| 805 | Washer, Lock | S23038 |
| 810 | Plug, Pipe 1/4" NPT (4 Req.) | S23715 |
| 811 | Fitting, Grease | S23700 |

1754B 0497

TABLE II

| HP | PH | Bracket No. | "AK" Fit | "U" Dim. | Motor Frame |
|----|----|-------------|----------|----------|-------------|
| 30 | 3 | L03712 | 12-1/2" | 1-1/4" | 284JP |
| 40 | 3 | L03712 | 12-1/2" | 1-1/4" | 286JP |

NOTE: For an explanation of the tabulated material found on this page and for impeller key location, refer to *Supplement A* located at the beginning of this section.



TYPE "B" SINGLE STAGE CENTRIFUGAL PUMP Electric Motor Drive

| | |
|-------------------|-----------------|
| Section | CC |
| Page | 100.8 |
| Date | January 1, 2004 |
| Supersedes 9/1/97 | |

SILICON BRONZE IMPELLER

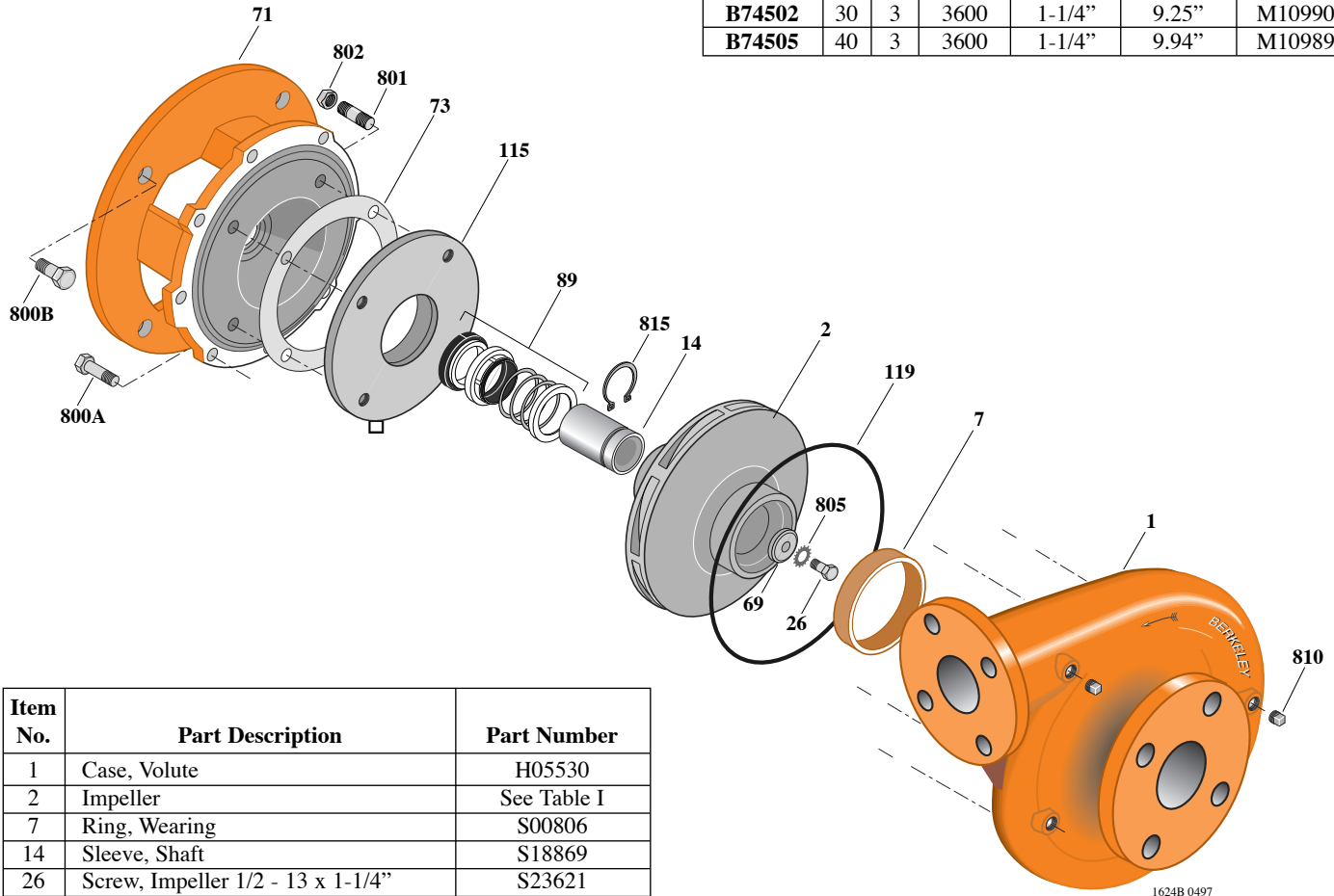
B2EPBLS

Flanged Case

Mechanical Shaft Seal Construction

TABLE I

| B/M No. | HP | PH | RPM | "U" Dim. | Imp. Dia. | Imp. No. |
|---------|----|----|------|----------|-----------|----------|
| B74502 | 30 | 3 | 3600 | 1-1/4" | 9.25" | M10990 |
| B74505 | 40 | 3 | 3600 | 1-1/4" | 9.94" | M10989 |



| Item No. | Part Description | Part Number |
|----------|--------------------------------------|--------------|
| 1 | Case, Volute | H05530 |
| 2 | Impeller | See Table I |
| 7 | Ring, Wearing | S00806 |
| 14 | Sleeve, Shaft | S18869 |
| 26 | Screw, Impeller 1/2 - 13 x 1-1/4" | S23621 |
| 32 | Key, 1/4 x 2-1/4" (See Note) | S23677 |
| 69 | Washer, Impeller | S06319 |
| 71 | Bracket | See Table II |
| 73 | Gasket, Balance Ring | S09943 |
| 89 | Seal, Mechanical Shaft | S32015 |
| 115 | Ring, Balance | S19262 |
| 119 | O-Ring | S13760 |
| 800A | Capscrew, 1/2 - 13 x 1-1/4" (8 Req.) | S26914 |
| 800B | Capscrew, 5/8 - 11 x 1-1/2" (4 Req.) | S26999 |
| 801 | Stud, 3/8 - 16 x 1-1/4" (4 Req.) | S23994 |
| 802 | Nut, 3/8 - 16 (4 Req.) | S23103 |
| 805 | Washer, Lock | S23038 |
| 810 | Plug, Pipe 1/4" NPT (4 Req.) | S23715 |
| 815 | Ring, Retaining | S16767 |
| • | Plug, Pipe 1/8" NPT (In Bracket) | S23714 |

• Not illustrated.

TABLE II

| HP | PH | Bracket No. | "AK" Fit | "U" Dim. | Motor Frame |
|----|----|-------------|----------|----------|-------------|
| 30 | 3 | L04628 | 12-1/2" | 1-1/4" | 284JM |
| 40 | 3 | L04628 | 12-1/2" | 1-1/4" | 286JM |

NOTE: For an explanation of the tabulated material found on this page and for impeller key location, refer to *Supplement A* located at the beginning of this section.

NOTE: For seal flush line details, see *Supplement D*.



TYPE "B" SINGLE STAGE CENTRIFUGAL PUMP Electric Motor Drive

| | |
|----------------|-----------------|
| Section | CC |
| Page | 100.9 |
| Date | January 1, 2004 |
| Supersedes/NEW | |

CAST IRON IMPELLER

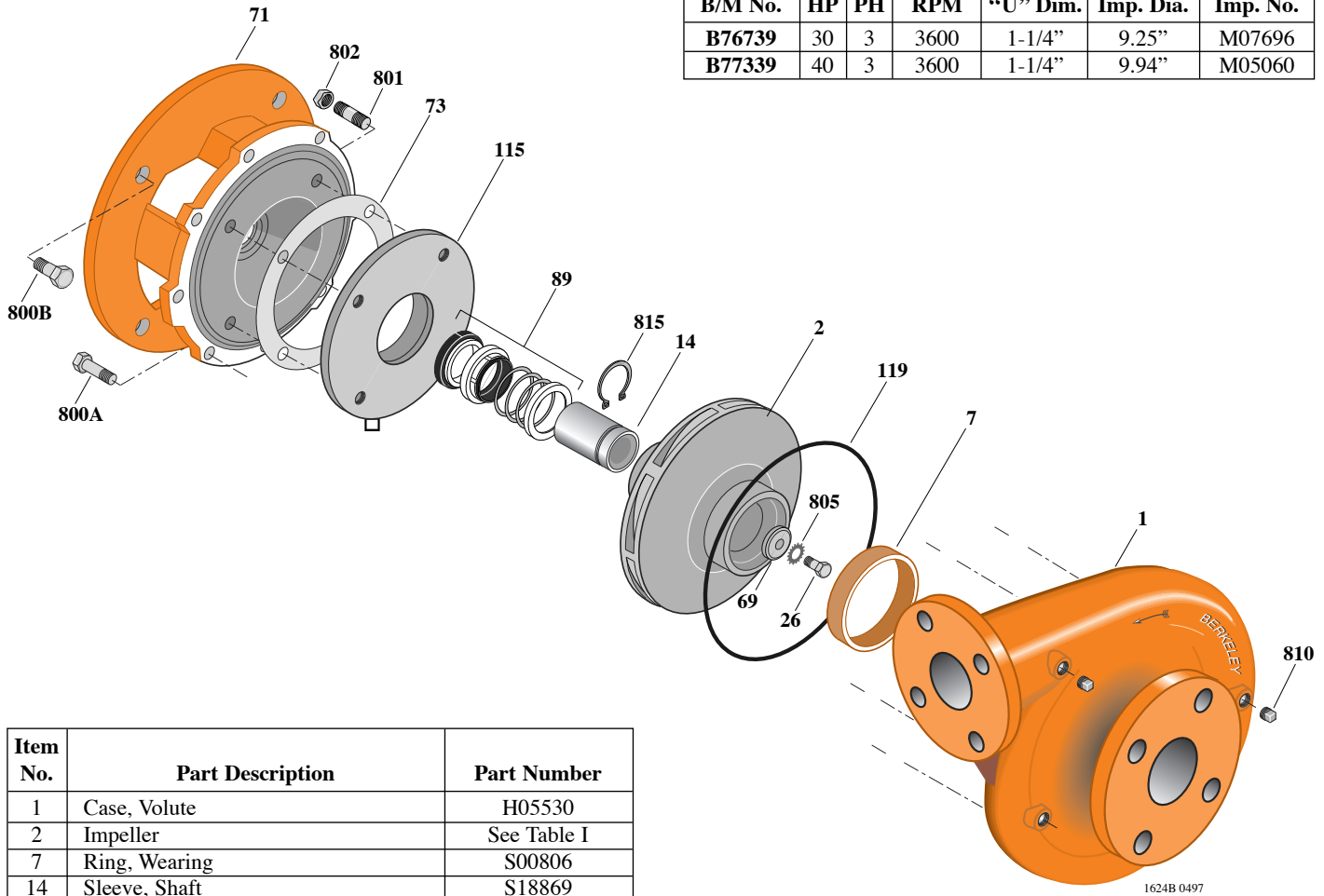
B2EPBLS

Flanged Case

Mechanical Shaft Seal Construction

TABLE I

| B/M No. | HP | PH | RPM | "U" Dim. | Imp. Dia. | Imp. No. |
|---------------|----|----|------|----------|-----------|----------|
| B76739 | 30 | 3 | 3600 | 1-1/4" | 9.25" | M07696 |
| B77339 | 40 | 3 | 3600 | 1-1/4" | 9.94" | M05060 |



| Item No. | Part Description | Part Number |
|----------|--------------------------------------|--------------|
| 1 | Case, Volute | H05530 |
| 2 | Impeller | See Table I |
| 7 | Ring, Wearing | S00806 |
| 14 | Sleeve, Shaft | S18869 |
| 26 | Screw, Impeller 1/2 - 13 x 1-1/4" | S23621 |
| 32 | Key, 1/4 x 2-1/4" (See Note) | S23677 |
| 69 | Washer, Impeller | S06319 |
| 71 | Bracket | See Table II |
| 73 | Gasket, Balance Ring | S09943 |
| 89 | Seal, Mechanical Shaft | S32015 |
| 115 | Ring, Balance | S19262 |
| 119 | O-Ring | S13760 |
| 800A | Capscrew, 1/2 - 13 x 1-1/4" (8 Req.) | S26914 |
| 800B | Capscrew, 5/8 - 11 x 1-1/2" (4 Req.) | S26999 |
| 801 | Stud, 3/8 - 16 x 1-1/4" (4 Req.) | S23994 |
| 802 | Nut, 3/8 - 16 (4 Req.) | S23103 |
| 805 | Washer, Lock | S23038 |
| 810A | Plug, Pipe 1/4 NPT (4 Req.) | S23715 |
| 810B | Plug, Pipe 1/2 NPT | S23717 |
| 815 | Ring, Retaining | S16767 |

TABLE II

| HP | PH | Bracket No. | "AK" Fit | "U" Dim. | Motor Frame |
|----|----|-------------|----------|----------|-------------|
| 30 | 3 | L04628 | 12-1/2" | 1-1/4" | 284JM |
| 40 | 3 | L04628 | 12-1/2" | 1-1/4" | 286JM |

NOTE: For an explanation of the tabulated material found on this page and for impeller key location, refer to *Supplement A* located at the beginning of this section.



TYPE "B" SINGLE STAGE CENTRIFUGAL PUMP Electric Motor Drive

| | |
|-------------------|-----------------|
| Section | CC |
| Page | 110.1 |
| Date | January 1, 2004 |
| Supersedes 6/1/95 | |

CAST IRON IMPELLER

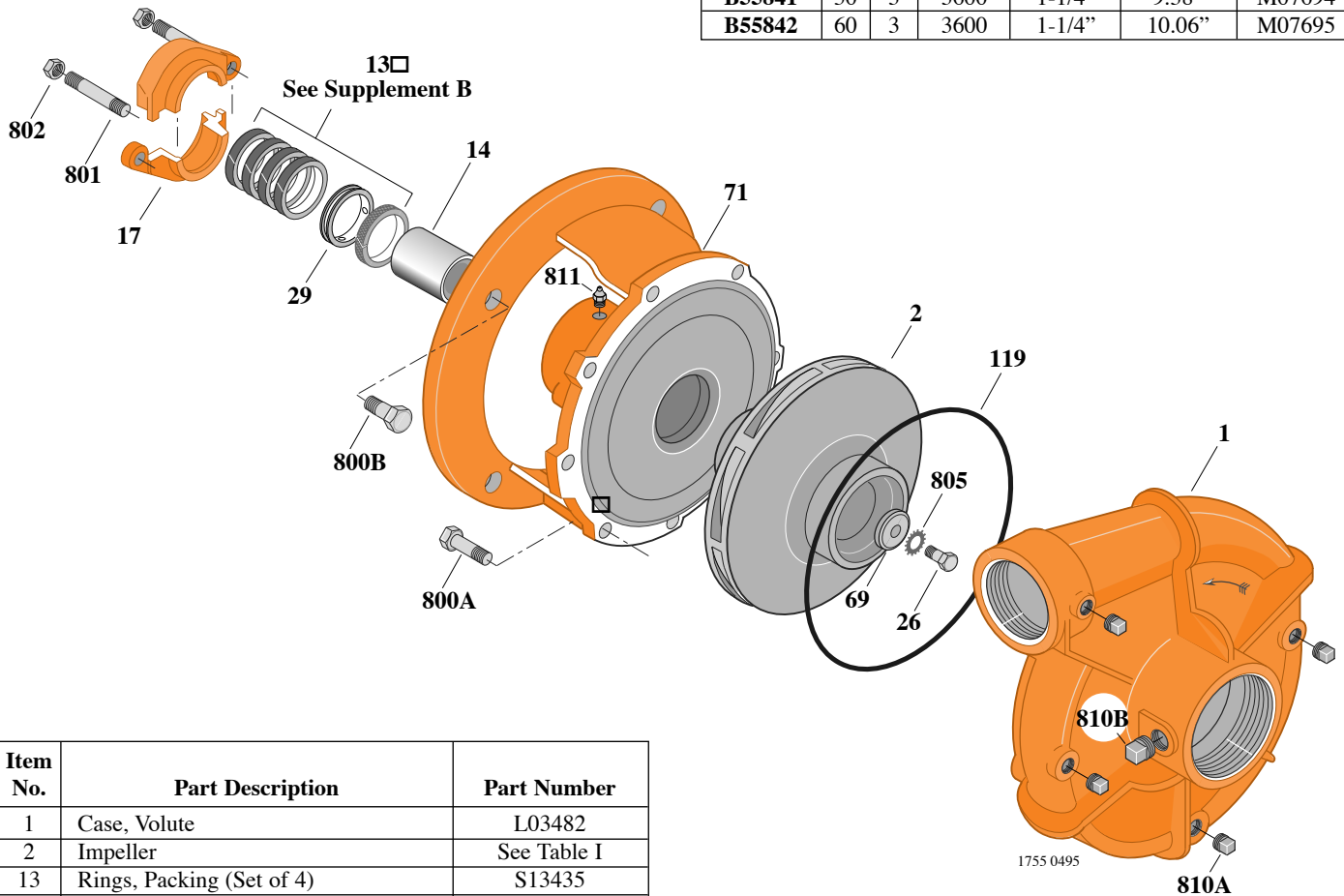
B2EPBHH

Threaded Case (NPT)

Packing Construction

TABLE I

| B/M No. | HP | PH | RPM | "U" Dim. | Imp. Dia. | Imp. No. |
|---------|----|----|------|----------|-----------|----------|
| B55841 | 50 | 3 | 3600 | 1-1/4" | 9.38" | M07694 |
| B55842 | 60 | 3 | 3600 | 1-1/4" | 10.06" | M07695 |



| Item No. | Part Description | Part Number |
|----------|--------------------------------------|--------------|
| 1 | Case, Volute | L03482 |
| 2 | Impeller | See Table I |
| 13 | Rings, Packing (Set of 4) | S13435 |
| 14 | Sleeve, Shaft | S05149 |
| 17 | Gland, Packing | B82470 |
| 26 | Screw, Impeller 1/2 - 13 x 1-1/4" | S23621 |
| 29 | Ring, Lantern | S19200 |
| 32 | Key, 1/4 x 2-1/4" (See Note) | S23677 |
| 69 | Washer, Impeller | S06319 |
| 71 | Bracket | See Table II |
| 119 | O-Ring | S13760 |
| 800A | Capscrew, 1/2 - 13 x 1-1/4" (8 Req.) | S26914 |
| 800B | Capscrew, 5/8 - 11 x 1-1/2" (4 Req.) | S26999 |
| 801 | Stud, 3/8 - 16 x 2-1/2" (2 Req.) | S04483 |
| 802 | Nut, Hex 3/8 - 16 (2 Req.) | S23343 |
| 805 | Washer, Lock | S23038 |
| 810A | Plug, Pipe 1/4 NPT (4 Req.) | S23715 |
| 810B | Plug, Pipe 1/2 NPT | S23717 |
| 811 | Fitting, Grease | S23700 |

TABLE II

| HP | PH | Bracket No. | "AK" Fit | "U" Dim. | Motor Frame |
|----|----|-------------|----------|----------|-------------|
| 50 | 3 | L03712 | 12-1/2" | 1-1/4" | 324JP |
| 60 | 3 | L03712 | 12-1/2" | 1-1/4" | 326JP |

NOTE: For an explanation of the tabulated material found on this page and for impeller key location, refer to *Supplement A* located at the beginning of this section.



TYPE "B" SINGLE STAGE CENTRIFUGAL PUMP Electric Motor Drive

| | |
|-------------------|-----------------|
| Section | CC |
| Page | 110.2 |
| Date | January 1, 2004 |
| Supersedes 6/1/95 | |

CAST IRON IMPELLER

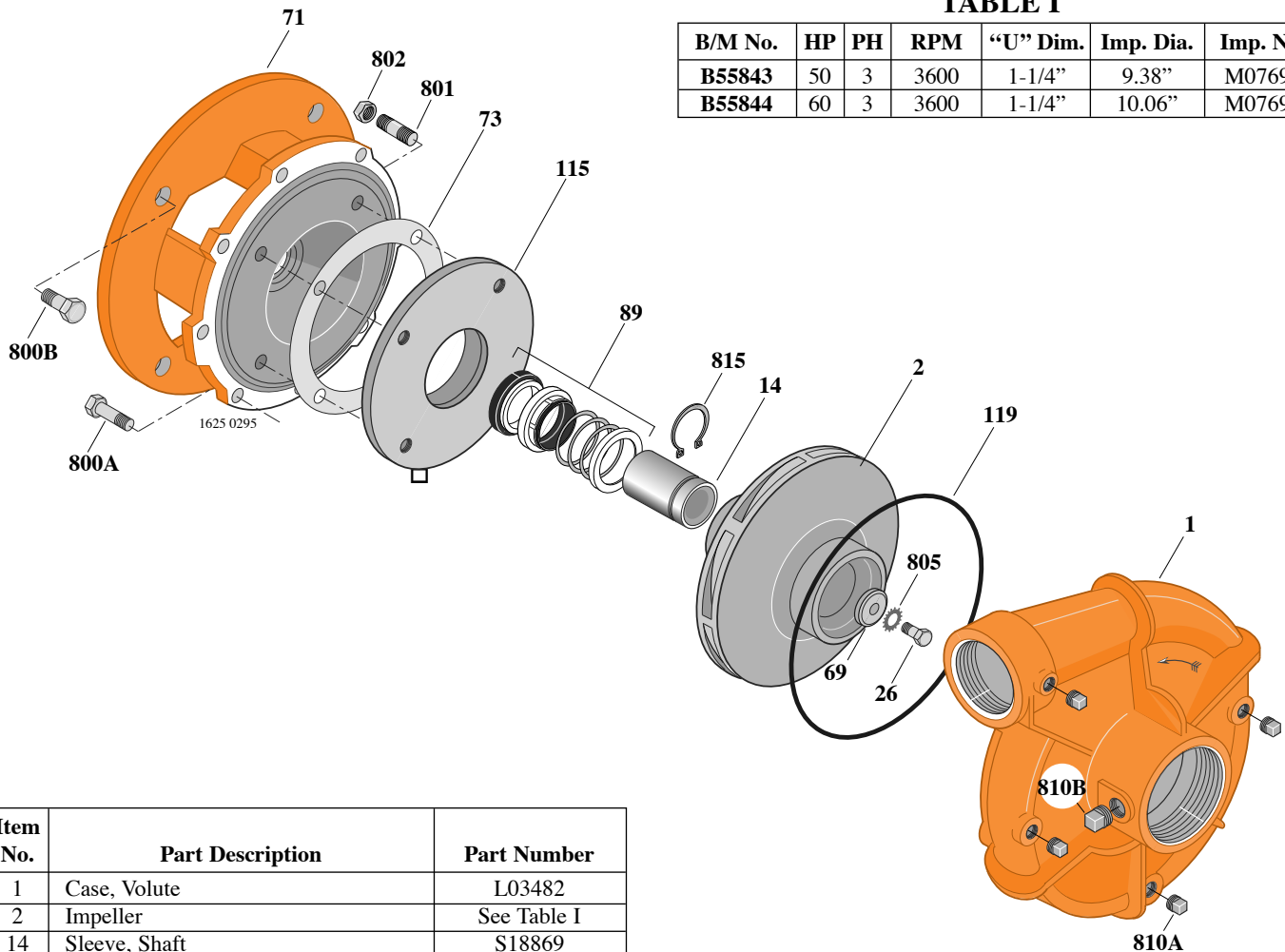
B2EPBHHS

Threaded Case (NPT)

Mechanical Shaft Seal Construction

TABLE I

| B/M No. | HP | PH | RPM | "U" Dim. | Imp. Dia. | Imp. No. |
|---------|----|----|------|----------|-----------|----------|
| B55843 | 50 | 3 | 3600 | 1-1/4" | 9.38" | M07694 |
| B55844 | 60 | 3 | 3600 | 1-1/4" | 10.06" | M07695 |



| Item No. | Part Description | Part Number |
|----------|--------------------------------------|--------------|
| 1 | Case, Volute | L03482 |
| 2 | Impeller | See Table I |
| 14 | Sleeve, Shaft | S18869 |
| 26 | Screw, Impeller 1/2 - 13 x 1-1/4" | S23621 |
| 32 | Key, 1/4 x 2-1/4" (See Note) | S23677 |
| 69 | Washer, Impeller | S06319 |
| 71 | Bracket | See Table II |
| 73 | Gasket, Balance Ring | S09943 |
| 89 | Seal, Shaft | M10227 |
| 115 | Ring, Balance | S19262 |
| 119 | O-Ring | S13760 |
| 800A | Capscrew, 1/2 - 13 x 1-1/4" (8 Req.) | S26914 |
| 800B | Capscrew, 5/8 - 11 x 1-1/2" (4 Req.) | S26999 |
| 801 | Stud, 3/8 - 16 x 1-1/4" (4 Req.) | S23994 |
| 802 | Nut, 3/8 - 16 (4 Req.) | S23103 |
| 805 | Washer, Lock | S23038 |
| 810A | Plug, Pipe 1/4 NPT (4 Req.) | S23715 |
| 810B | Plug, Pipe 1/2 NPT | S23717 |
| 815 | Ring, Retaining | S16767 |

TABLE II

| HP | PH | Bracket No. | "AK" Fit | "U" Dim. | Motor Frame |
|----|----|-------------|----------|----------|-------------|
| 50 | 3 | L04628 | 12-1/2" | 1-1/4" | 324JM |
| 60 | 3 | L04628 | 12-1/2" | 1-1/4" | 326JM |

NOTE: For an explanation of the tabulated material found on this page and for impeller key location, refer to *Supplement A* located at the beginning of this section.



TYPE "B" SINGLE STAGE CENTRIFUGAL PUMP Electric Motor Drive

| | |
|----------------|-----------------|
| Section | CC |
| Page | 110.3 |
| Date | January 1, 2004 |
| Supersedes/NEW | |

BRONZE IMPELLER

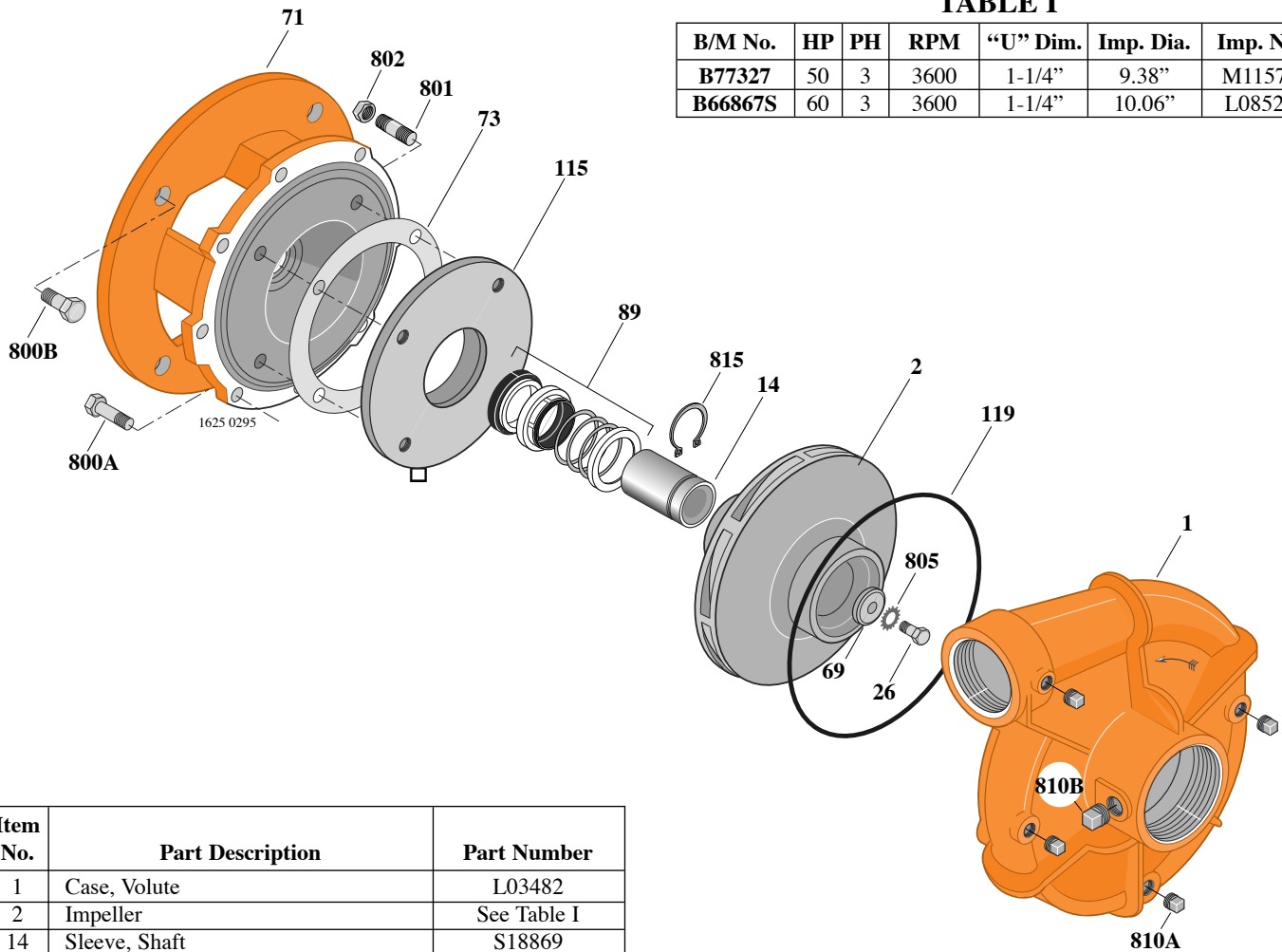
B2EPBHHS

Threaded Case (NPT)

Mechanical Shaft Seal Construction

TABLE I

| B/M No. | HP | PH | RPM | "U" Dim. | Imp. Dia. | Imp. No. |
|---------|----|----|------|----------|-----------|----------|
| B77327 | 50 | 3 | 3600 | 1-1/4" | 9.38" | M11579 |
| B66867S | 60 | 3 | 3600 | 1-1/4" | 10.06" | L08529 |



| Item No. | Part Description | Part Number |
|----------|--------------------------------------|--------------|
| 1 | Case, Volute | L03482 |
| 2 | Impeller | See Table I |
| 14 | Sleeve, Shaft | S18869 |
| 26 | Screw, Impeller 1/2 - 13 x 1-1/4" | S23621 |
| 32 | Key, 1/4 x 2-1/4" (See Note) | S23677 |
| 69 | Washer, Impeller | S06319 |
| 71 | Bracket | See Table II |
| 73 | Gasket, Balance Ring | S09943 |
| 89 | Seal, Shaft | M10227 |
| 115 | Ring, Balance | S19262 |
| 119 | O-Ring | S13760 |
| 800A | Capscrew, 1/2 - 13 x 1-1/4" (8 Req.) | S26914 |
| 800B | Capscrew, 5/8 - 11 x 1-1/2" (4 Req.) | S26999 |
| 801 | Stud, 3/8 - 16 x 1-1/4" (4 Req.) | S23994 |
| 802 | Nut, 3/8 - 16 (4 Req.) | S23103 |
| 805 | Washer, Lock | S23038 |
| 810A | Plug, Pipe 1/4 NPT (4 Req.) | S23715 |
| 810B | Plug, Pipe 1/2 NPT | S23717 |
| 815 | Ring, Retaining | S16767 |

TABLE II

| HP | PH | Bracket No. | "AK" Fit | "U" Dim. | Motor Frame |
|----|----|-------------|----------|----------|-------------|
| 50 | 3 | L04628 | 12-1/2" | 1-1/4" | 324JM |
| 60 | 3 | L04628 | 12-1/2" | 1-1/4" | 326JM |

NOTE: For an explanation of the tabulated material found on this page and for impeller key location, refer to *Supplement A* located at the beginning of this section.



TYPE "B" SINGLE STAGE CENTRIFUGAL PUMP Electric Motor Drive

| | |
|----------------|-----------------|
| Section | CC |
| Page | 110.4 |
| Date | January 1, 2004 |
| Supersedes/NEW | |

BRONZE IMPELLER

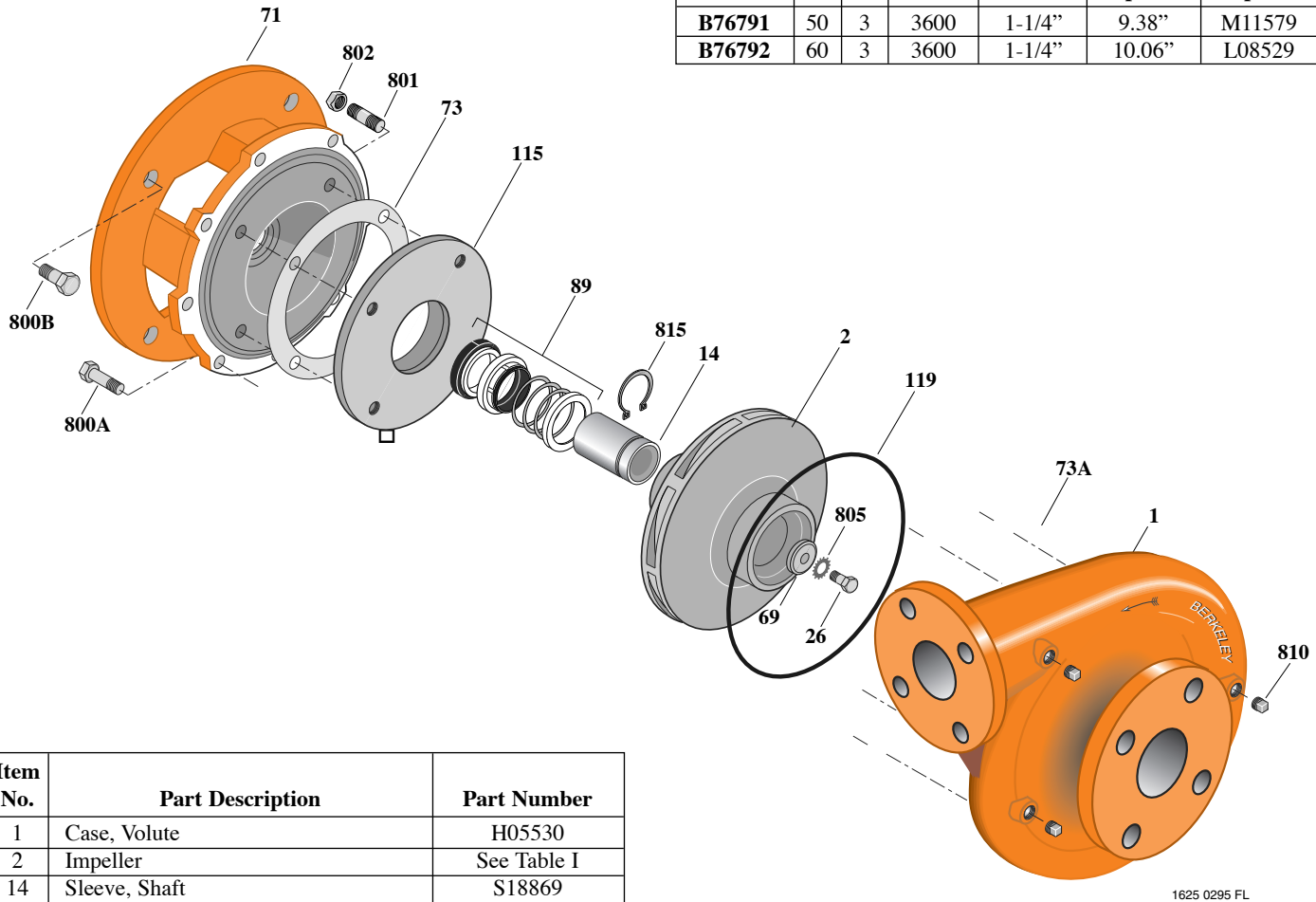
B2EPBHHS

Flanged Case

Mechanical Shaft Seal Construction

TABLE I

| B/M No. | HP | PH | RPM | "U" Dim. | Imp. Dia. | Imp. No. |
|---------|----|----|------|----------|-----------|----------|
| B76791 | 50 | 3 | 3600 | 1-1/4" | 9.38" | M11579 |
| B76792 | 60 | 3 | 3600 | 1-1/4" | 10.06" | L08529 |



| Item No. | Part Description | Part Number |
|----------|--------------------------------------|--------------|
| 1 | Case, Volute | H05530 |
| 2 | Impeller | See Table I |
| 14 | Sleeve, Shaft | S18869 |
| 26 | Screw, Impeller 1/2 - 13 x 1-1/4" | S23621 |
| 32 | Key, 1/4 x 2-1/4" (See Note) | S23677 |
| 69 | Washer, Impeller | S06319 |
| 71 | Bracket | See Table II |
| 73 | Gasket, Balance Ring | S09943 |
| 89 | Seal, Shaft | M10227 |
| 115 | Ring, Balance | S19262 |
| 119 | O-Ring | S13760 |
| 800A | Capscrew, 1/2 - 13 x 1-1/4" (8 Req.) | S26914 |
| 800B | Capscrew, 5/8 - 11 x 1-1/2" (4 Req.) | S26999 |
| 801 | Stud, 3/8 - 16 x 1-1/4" (4 Req.) | S23994 |
| 802 | Nut, 3/8 - 16 (4 Req.) | S23103 |
| 805 | Washer, Lock | S23038 |
| 810A | Plug, Pipe 1/4 NPT (4 Req.) | S23715 |
| 810B | Plug, Pipe 1/2 NPT | S23717 |
| 815 | Ring, Retaining | S16767 |

TABLE II

| HP | PH | Bracket No. | "AK" Fit | "U" Dim. | Motor Frame |
|----|----|-------------|----------|----------|-------------|
| 50 | 3 | L04628 | 12-1/2" | 1-1/4" | 324JM |
| 60 | 3 | L04628 | 12-1/2" | 1-1/4" | 326JM |

NOTE: For an explanation of the tabulated material found on this page and for impeller key location, refer to *Supplement A* located at the beginning of this section.



TYPE "B" SINGLE STAGE CENTRIFUGAL PUMP Electric Motor Drive

| | |
|-------------------|-----------------|
| Section | CC |
| Page | 120.1 |
| Date | January 1, 2004 |
| Supersedes 6/1/95 | |

CAST IRON IMPELLER

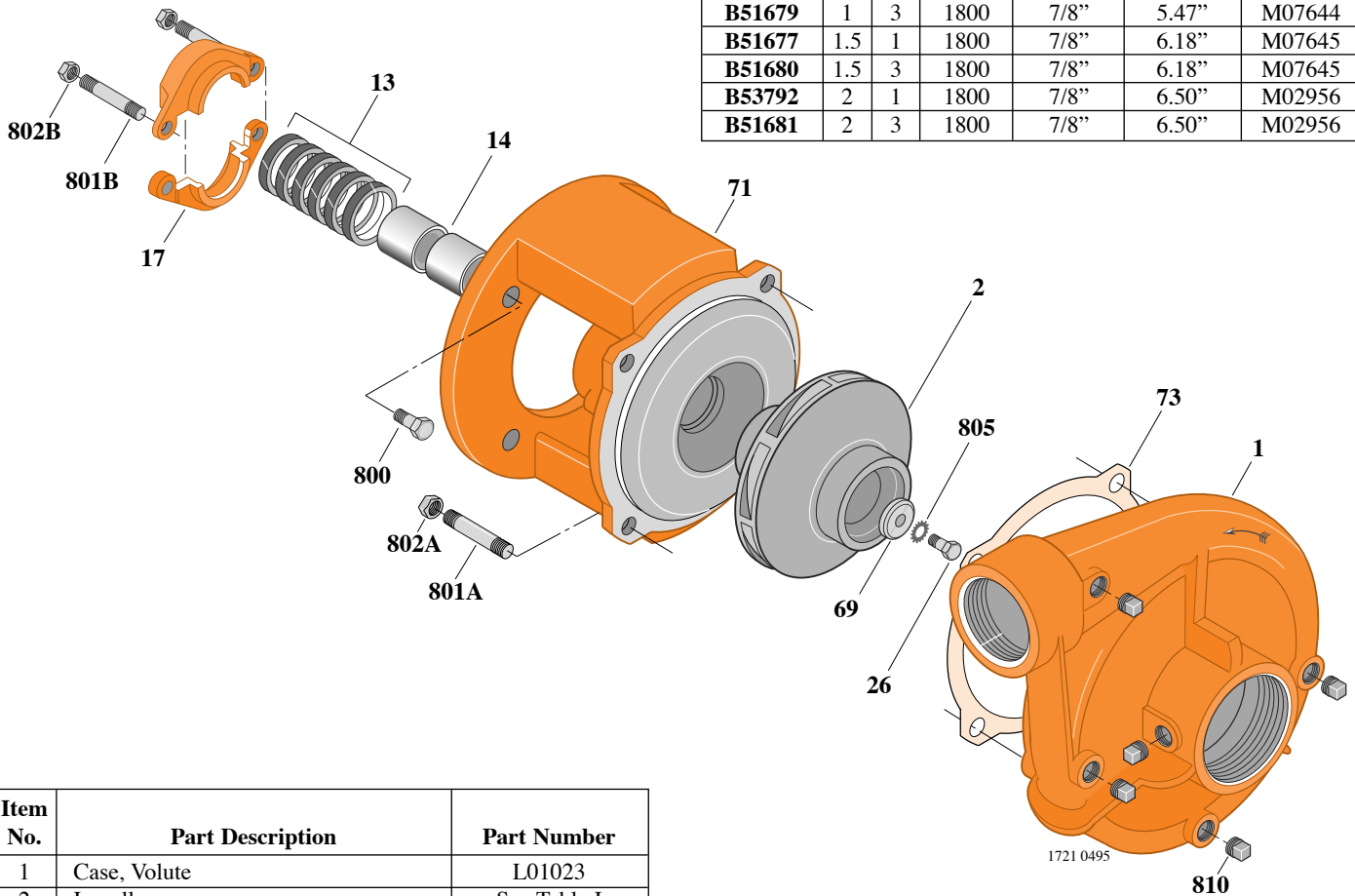
B2-1/2TPM

Threaded Case (NPT)

Packing Construction

TABLE I

| B/M No. | HP | PH | RPM | "U" Dim. | Imp. Dia. | Imp. No. |
|---------------|-----|----|------|----------|-----------|----------|
| B51676 | 1 | 1 | 1800 | 7/8" | 5.47" | M07644 |
| B51679 | 1 | 3 | 1800 | 7/8" | 5.47" | M07644 |
| B51677 | 1.5 | 1 | 1800 | 7/8" | 6.18" | M07645 |
| B51680 | 1.5 | 3 | 1800 | 7/8" | 6.18" | M07645 |
| B53792 | 2 | 1 | 1800 | 7/8" | 6.50" | M02956 |
| B51681 | 2 | 3 | 1800 | 7/8" | 6.50" | M02956 |



| Item No. | Part Description | Part Number |
|----------|------------------------------------|--------------|
| 1 | Case, Volute | L01023 |
| 2 | Impeller | See Table I |
| 13 | Rings, Packing (Set of 6) | S13469 |
| 14 | Sleeve, Shaft (2 Req.) | S00619 |
| 17 | Gland, Packing | B82469 |
| 26 | Screw, Impeller 3/8 - 16 x 1" | S23566 |
| 32 | Key, 3/16 x 1-1/4" (See Note) | S34383 |
| 69 | Washer, Impeller | S06314 |
| 71 | Bracket | See Table II |
| 73 | Gasket, Volute | S04757 |
| 800 | Capscrew, 3/8 - 16 x 7/8" (4 Req.) | S26825 |
| 801A | Stud, 1/2 - 13 x 1-1/2" (4 Req.) | S24043 |
| 801B | Stud, 3/8 - 16 x 4" (2 Req.) | S08303 |
| 802A | Nut, Hex 1/2 - 13 (4 Req.) | S23107 |
| 802B | Nut, Hex 3/8 - 16 (2 Req.) | S23343 |
| 805 | Washer, Lock | S23036 |
| 810 | Plug, Pipe 1/4 NPT (5 Req.) | S23715 |

TABLE II

| HP | PH | Bracket No. | "AK" Fit | "U" Dim. | Motor Frame |
|-----|----|-------------|----------|----------|-------------|
| 1 | 1 | L01525 | 4-1/2" | 7/8" | 143JP |
| 1 | 3 | L01525 | 4-1/2" | 7/8" | 143JP |
| 1.5 | 1 | L01525 | 4-1/2" | 7/8" | 145JP |
| 1.5 | 3 | L01525 | 4-1/2" | 7/8" | 145JP |
| 2 | 1 | L01525 | 4-1/2" | 7/8" | 182JP |
| 2 | 3 | L01525 | 4-1/2" | 7/8" | 145JP |

NOTE: For an explanation of the tabulated material found on this page and for impeller key location, refer to *Supplement A* located at the beginning of this section.



TYPE "B" SINGLE STAGE CENTRIFUGAL PUMP Electric Motor Drive

| | |
|-------------------|-----------------|
| Section | CC |
| Page | 120.2 |
| Date | January 1, 2004 |
| Supersedes 6/1/95 | |

CAST IRON IMPELLER

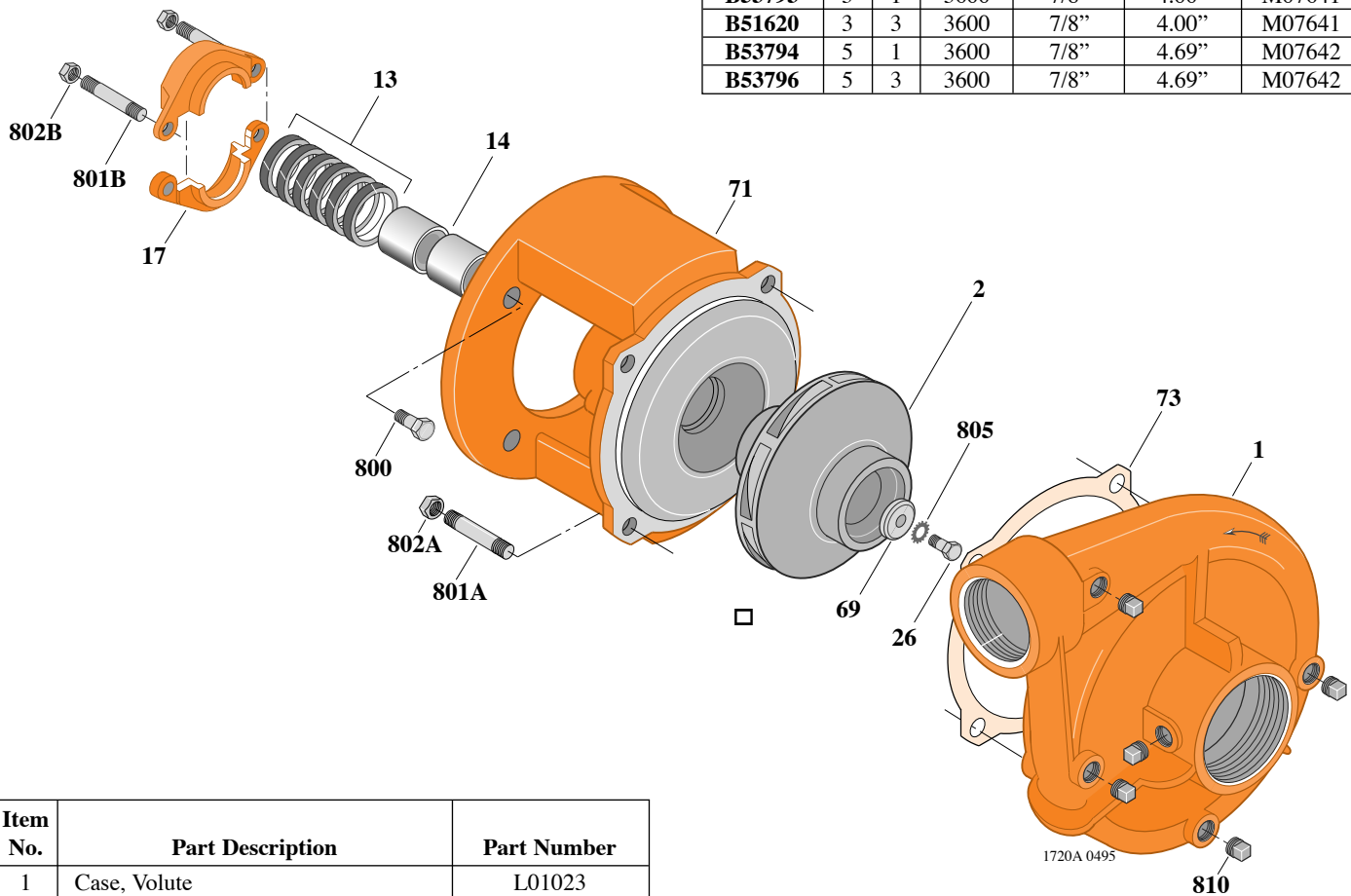
B2-1/2TPM

Threaded Case (NPT)

Packing Construction

TABLE I

| B/M No. | HP | PH | RPM | "U" Dim. | Imp. Dia. | Imp. No. |
|---------------|----|----|------|----------|-----------|----------|
| B53793 | 3 | 1 | 3600 | 7/8" | 4.00" | M07641 |
| B51620 | 3 | 3 | 3600 | 7/8" | 4.00" | M07641 |
| B53794 | 5 | 1 | 3600 | 7/8" | 4.69" | M07642 |
| B53796 | 5 | 3 | 3600 | 7/8" | 4.69" | M07642 |



| Item No. | Part Description | Part Number |
|----------|------------------------------------|--------------|
| 1 | Case, Volute | L01023 |
| 2 | Impeller | See Table I |
| 13 | Rings, Packing (Set of 6) | S13469 |
| 14 | Sleeve, Shaft (2 Req.) | S00619 |
| 17 | Gland, Packing | B82469 |
| 26 | Screw, Impeller 3/8 - 16 x 1" | S23566 |
| 32 | Key, 3/16 x 1-1/4" (See Note) | S34383 |
| 69 | Washer, Impeller | S06314 |
| 71 | Bracket | See Table II |
| 73 | Gasket, Volute | S04757 |
| 800 | Capscrew, 3/8 - 16 x 7/8" (4 Req.) | S26825 |
| 801A | Stud, 1/2 - 13 x 1-1/2" (4 Req.) | S24043 |
| 801B | Stud, 3/8 - 16 x 4" (2 Req.) | S08303 |
| 802A | Nut, Hex 1/2 - 13 (4 Req.) | S23107 |
| 802B | Nut, Hex 3/8 - 16 (2 Req.) | S23343 |
| 805 | Washer, Lock | S23036 |
| 810 | Plug, Pipe 1/4 NPT (5 Req.) | S23715 |

TABLE II

| HP | PH | Bracket No. | "AK" Fit | "U" Dim. | Motor Frame |
|----|----|-------------|----------|----------|-------------|
| 3 | 1 | L01525 | 4-1/2" | 7/8" | 182JP |
| 3 | 3 | L01525 | 4-1/2" | 7/8" | 145JP |
| 5 | 1 | L01525 | 4-1/2" | 7/8" | 184JP |
| 5 | 3 | L01525 | 4-1/2" | 7/8" | 182JP |

NOTE: For an explanation of the tabulated material found on this page and for impeller key location, refer to *Supplement A* located at the beginning of this section.



TYPE "B" SINGLE STAGE CENTRIFUGAL PUMP Electric Motor Drive

| | |
|-------------------|-----------------|
| Section | CC |
| Page | 120.3 |
| Date | January 1, 2004 |
| Supersedes 6/1/95 | |

CAST IRON IMPELLER

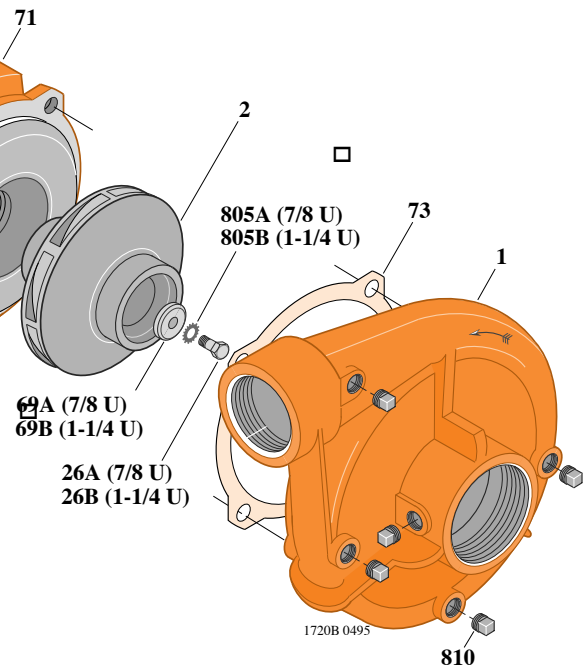
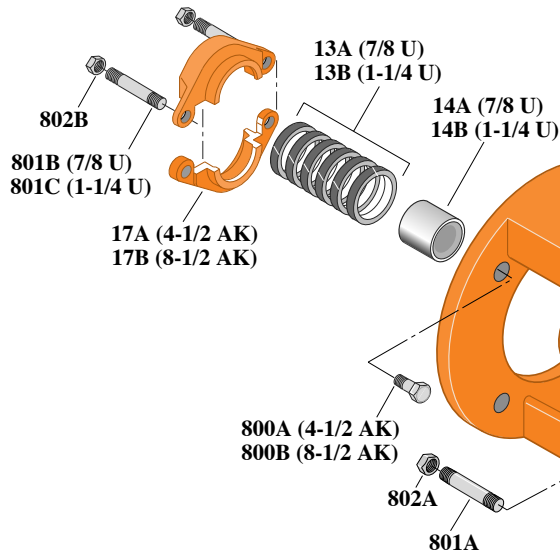
B2-1/2TPM

Threaded Case (NPT)

Packing Construction

TABLE I

| B/M No. | HP | PH | RPM | "U" Dim. | Imp. Dia. | Imp. No. |
|---------|-----|----|------|----------|-----------|----------|
| B53795 | 7.5 | 1 | 3600 | 1-1/4" | 5.25" | M07639 |
| B53797 | 7.5 | 3 | 3600 | 7/8" | 5.25" | M07643 |
| B55577 | 10 | 1 | 3600 | 1-1/4" | 5.69" | M07640 |
| B53798 | 10 | 3 | 3600 | 1-1/4" | 5.69" | M07640 |
| B53799 | 15 | 3 | 3600 | 1-1/4" | 6.50" | M02957 |



| Item No. | Part Description | Part Number |
|----------|------------------------------------|--------------|
| 1 | Case, Volute | L01023 |
| 2 | Impeller | See Table I |
| 13A | Rings, Packing (Set of 6) | S13469 |
| 13B | Rings, Packing (Set of 6) | S13470 |
| 14A | Sleeve, Shaft (2 Req.) | S00619 |
| 14B | Sleeve, Shaft | S05149 |
| 17A | Gland, Packing | B82469 |
| 17B | Gland, Packing | B82470 |
| 26A | Screw, Impeller 3/8 - 16 x 1" | S23566 |
| 26B | Screw, Impeller 1/2 - 13 x 1" | S23619 |
| 32A | Key, 3/16 x 1-1/4" (See Note) | S34383 |
| 32B | Key, 1/4 x 2-1/4" (See Note) | S23677 |
| 69A | Washer, Impeller | S06314 |
| 69B | Washer, Impeller | S06319 |
| 71 | Bracket | See Table II |
| 73 | Gasket, Volute | S04757 |
| 800A | Capscrew, 3/8 - 16 x 7/8" (4 Req.) | S26825 |
| 800B | Capscrew, 1/2 - 13 x 1" (4 Req.) | S26912 |
| 801A | Stud, 1/2 - 13 x 1-1/2" (4 Req.) | S24043 |
| 801B | Stud, 3/8 - 16 x 4" (2 Req.) | S08303 |
| 801C | Stud, 3/8 - 16 x 3-1/2" (2 Req.) | S04441 |
| 802A | Nut, Hex 1/2 - 13 (4 Req.) | S23107 |
| 802B | Nut, Hex 3/8 - 16 (2 Req.) | S23343 |
| 805A | Washer, Lock | S23036 |
| 805B | Washer, Lock | S23038 |
| 810 | Plug, Pipe 1/4 NPT (5 Req.) | S23715 |

TABLE II

| HP | PH | Bracket No. | "AK" Fit | "U" Dim. | Motor Frame |
|-----|----|-------------|----------|----------|-------------|
| 7.5 | 1 | L01951 | 8-1/2" | 1-1/4" | 213JP |
| 7.5 | 3 | L01525 | 4-1/2" | 7/8" | 184JP |
| 10 | 1 | L01951 | 8-1/2" | 1-1/4" | 215JP |
| 10 | 3 | L01951 | 8-1/2" | 1-1/4" | 213JP |
| 15 | 3 | L01951 | 8-1/2" | 1-1/4" | 215JP |

NOTE: For an explanation of the tabulated material found on this page and for impeller key location, refer to *Supplement A* located at the beginning of this section.



TYPE "B" SINGLE STAGE CENTRIFUGAL PUMP Electric Motor Drive

| | |
|-------------------|--------------|
| Section | CC |
| Page | 120.4 |
| Date | May 15, 2009 |
| Supersedes 1/1/04 | |

CAST IRON IMPELLER

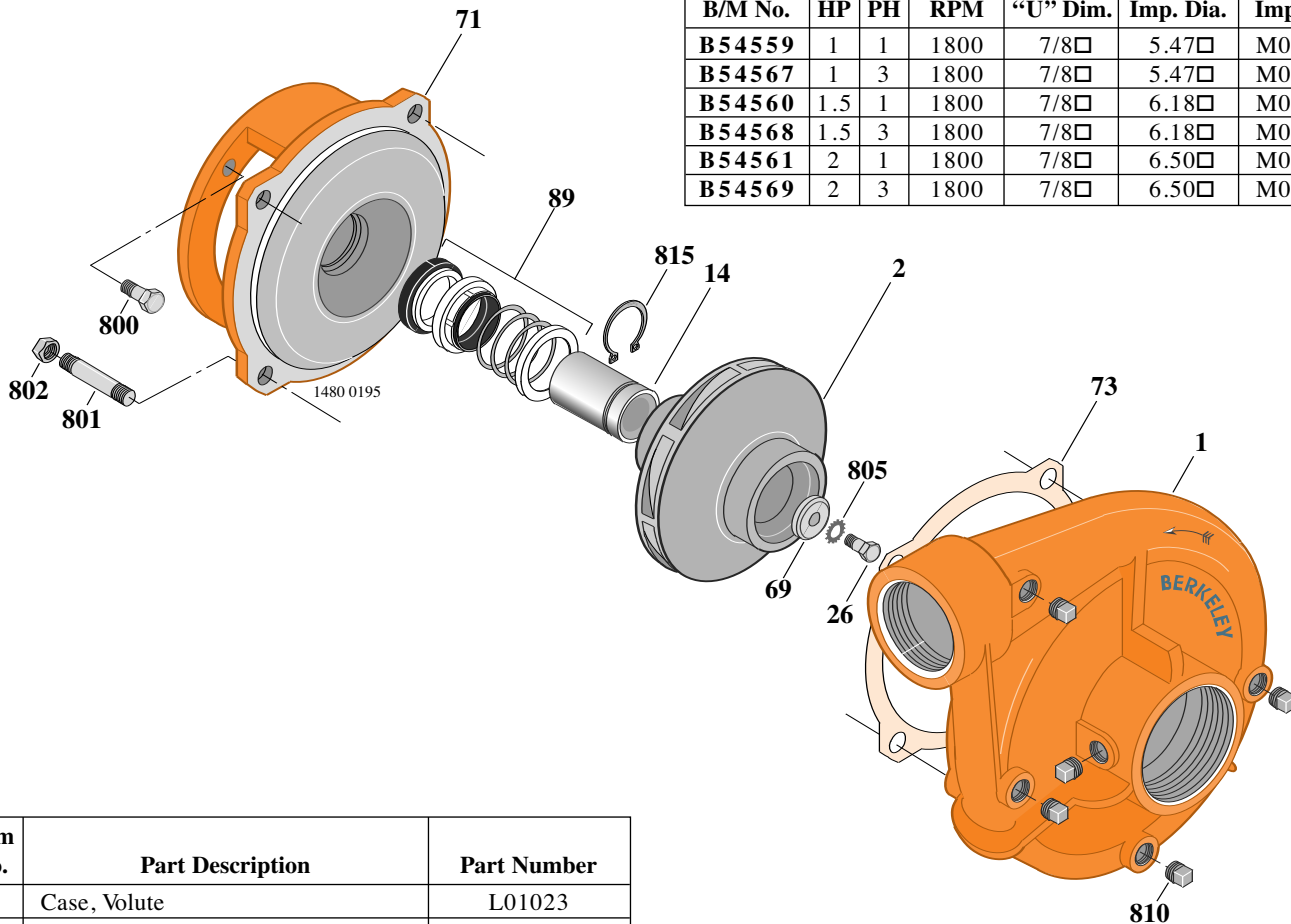
B2-1/2TPMS

Threaded Case (NPT)

Mechanical Shaft Seal Construction

TABLE I

| B/M No. | HP | PH | RPM | "U" Dim. | Imp. Dia. | Imp. No. |
|---------|-----|----|------|----------|-----------|----------|
| B54559 | 1 | 1 | 1800 | 7/8□ | 5.47□ | M07644 |
| B54567 | 1 | 3 | 1800 | 7/8□ | 5.47□ | M07644 |
| B54560 | 1.5 | 1 | 1800 | 7/8□ | 6.18□ | M07645 |
| B54568 | 1.5 | 3 | 1800 | 7/8□ | 6.18□ | M07645 |
| B54561 | 2 | 1 | 1800 | 7/8□ | 6.50□ | M02956 |
| B54569 | 2 | 3 | 1800 | 7/8□ | 6.50□ | M02956 |



| Item No. | Part Description | Part Number |
|----------|---|--------------|
| 1 | Case, Volute | L01023 |
| 2 | Impeller | See Table I |
| 14 | Sleeve, Shaft (See Note 2) | S19310L |
| 26 | Screw, Impeller 3/8 - 16 x 1□ | S23566 |
| 32 | Key, 3/16 x 1-1/4□(See Note 1) | S34383 |
| 69 | Washer, Impeller | S06314 |
| 71 | Bracket | See Table II |
| 73 | Gasket, Volute | S04757 |
| 89 | Seal, Mechanical Shaft | S32014 |
| 800 | Capscrew, 3/8 - 16 x 1□(4 Req.) (For 4-1/2 AK) | S26826 |
| 801 | Stud, 1/2 - 13 x 1-1/2□(4 Req.) | S24043 |
| 802 | Nut, 1/2 - 13 (4 Req.) | S23107 |
| 805 | Washer, Lock | S23036 |
| 810 | Plug, Pipe 1/4 NPT (5 Req.) | S23715 |
| 815 | Ring, Retaining | S11207 |

TABLE II

| HP | PH | Bracket No. | "AK" Fit | "U" Dim. | Motor Frame |
|-----|----|-------------|----------|----------|-------------|
| 1 | 1 | L05329 | 4-1/2□ | 7/8□ | 143JM |
| 1 | 3 | L05329 | 4-1/2□ | 7/8□ | 143JM |
| 1.5 | 1 | L05329 | 4-1/2□ | 7/8□ | 145JM |
| 1.5 | 3 | L05329 | 4-1/2□ | 7/8□ | 145JM |
| 2 | 1 | L05329 | 4-1/2□ | 7/8□ | 182JM |
| 2 | 3 | L05329 | 4-1/2□ | 7/8□ | 145JM |

NOTE 1: For an explanation of the tabulated material found on this page and for impeller key location, refer to **Supplement A** located at the beginning of this section.

NOTE 2: Sleeve replacement kit available. Berkeley part number B85681 includes the shaft sleeve, adhesive compound and instruction sheet.



TYPE "B" SINGLE STAGE CENTRIFUGAL PUMP Electric Motor Drive

| | |
|-------------------|--------------|
| Section | CC |
| Page | 120.5 |
| Date | May 15, 2009 |
| Supersedes 1/1/04 | |

CAST IRON IMPELLER

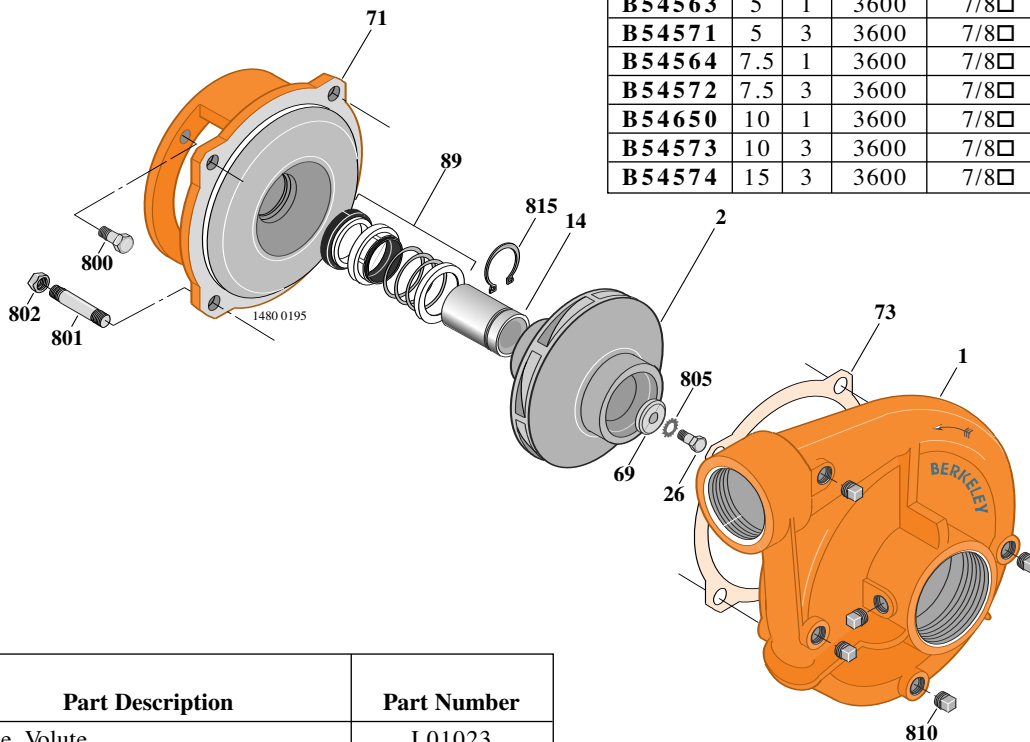
B2-1/2TPMS

Threaded Case (NPT)

Mechanical Shaft Seal Construction

TABLE I

| B/M No. | HP | PH | RPM | "U" Dim. | Imp. Dia. | Imp. No. |
|---------------|-----|----|------|----------|-----------|----------|
| B54562 | 3 | 1 | 3600 | 7/8□ | 4.00□ | M07641 |
| B54570 | 3 | 3 | 3600 | 7/8□ | 4.00□ | M07641 |
| B54563 | 5 | 1 | 3600 | 7/8□ | 4.69□ | M07642 |
| B54571 | 5 | 3 | 3600 | 7/8□ | 4.69□ | M07642 |
| B54564 | 7.5 | 1 | 3600 | 7/8□ | 5.25□ | M07643 |
| B54572 | 7.5 | 3 | 3600 | 7/8□ | 5.25□ | M07643 |
| B54650 | 10 | 1 | 3600 | 7/8□ | 5.69□ | M07683 |
| B54573 | 10 | 3 | 3600 | 7/8□ | 5.69□ | M07683 |
| B54574 | 15 | 3 | 3600 | 7/8□ | 6.50□ | M02956 |



| Item No. | Part Description | Part Number |
|----------|---|--------------|
| 1 | Case, Volute | L01023 |
| 2 | Impeller | See Table I |
| 14 | Sleeve, Shaft (See Note 2) | S19310L |
| 26 | Screw, Impeller 3/8 - 16 x 1□ | S23566 |
| 32 | Key, 3/16 x 1-1/4□(See Note 1) | S34383 |
| 69 | Washer, Impeller | S06314 |
| 71 | Bracket | See Table II |
| 73 | Gasket, Volute | S04757 |
| 89 | Seal, Mechanical Shaft | S32014 |
| 800 | Capscrew, 3/8 - 16 x 1□(4 Req.) (For 4-1/2 AK) | S26826 |
| 800 | Capscrew, 1/2 - 13 x 1□(4 Req.) (For 8-1/2 AK) | S26912 |
| 801 | Stud, 1/2 - 13 x 1-1/2□(4 Req.) | S24043 |
| 802 | Nut, 1/2 - 13 (4 Req.) | S23107 |
| 805 | Washer, Lock | S23036 |
| 810 | Plug, Pipe 1/4 NPT (5 Req.) | S23715 |
| 815 | Ring, Retaining | S11207 |

TABLE II

| HP | PH | Bracket No. | "AK" Fit | "U" Dim. | Motor Frame |
|-----|----|-------------|----------|----------|-------------|
| 3 | 1 | L05329 | 4-1/2□ | 7/8□ | 182JM |
| 3 | 3 | L05329 | 4-1/2□ | 7/8□ | 145JM |
| 5 | 1 | L05329 | 4-1/2□ | 7/8□ | 184JM |
| 5 | 3 | L05329 | 4-1/2□ | 7/8□ | 182JM |
| 7.5 | 1 | L05328 | 8-1/2□ | 7/8□ | 213JM |
| 7.5 | 3 | L05329 | 4-1/2□ | 7/8□ | 184JM |
| 10 | 1 | L05328 | 8-1/2□ | 7/8□ | 215JM |
| 10 | 3 | L05328 | 8-1/2□ | 7/8□ | 213JM |
| 15 | 3 | L05328 | 8-1/2□ | 7/8□ | 215JM |

NOTE 1: For an explanation of the tabulated material found on this page and for impeller key location, refer to *Supplement A* located at the beginning of this section.

NOTE 2: Sleeve replacement kit available. Berkeley part number B85681 includes the shaft sleeve, adhesive compound and instruction sheet.



TYPE "B" SINGLE STAGE CENTRIFUGAL PUMP Electric Motor Drive

| | |
|-------------------|-----------------|
| Section | CC |
| Page | 120.6 |
| Date | January 1, 2004 |
| Supersedes 6/1/95 | |

BRONZE IMPELLER

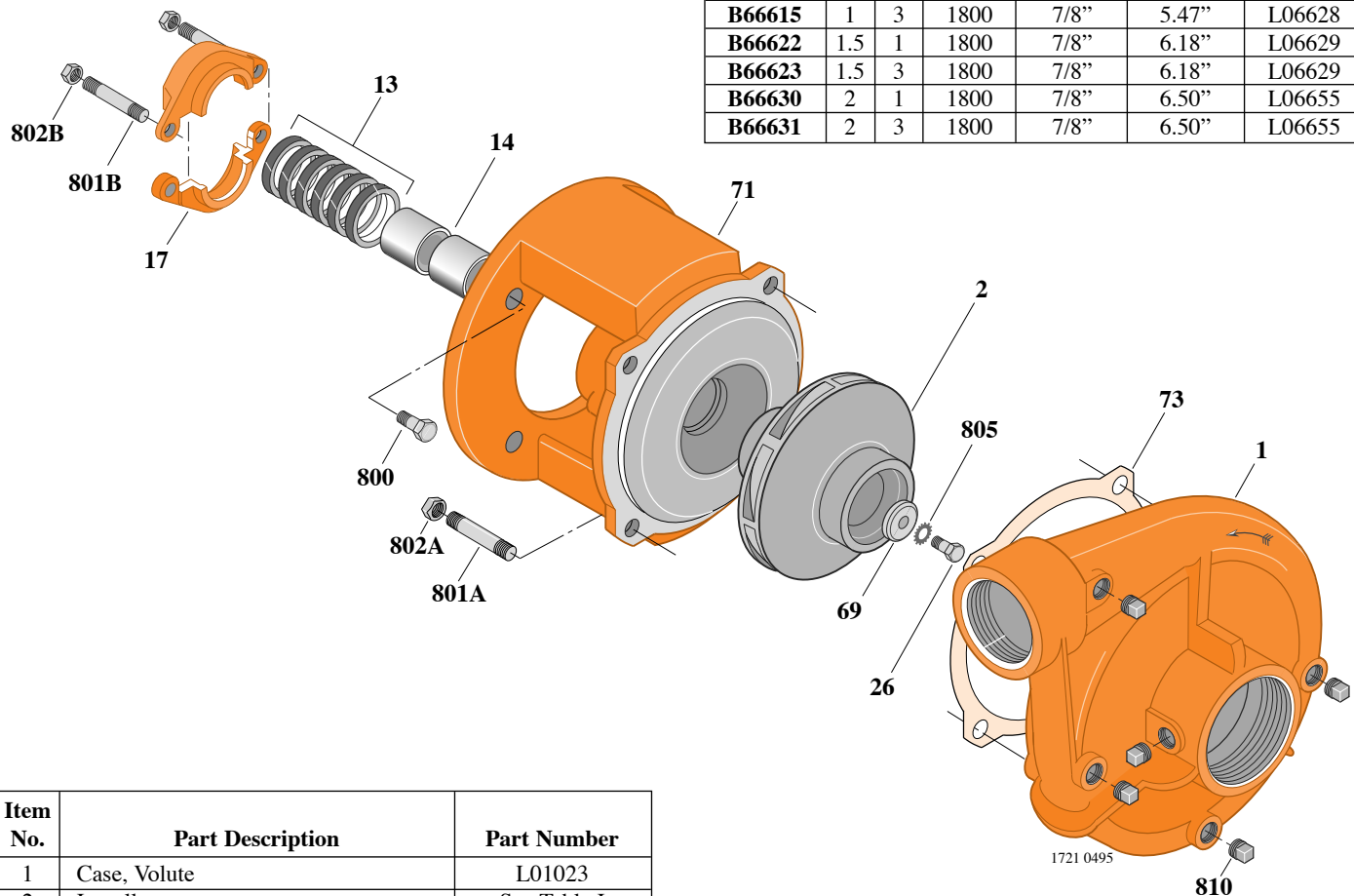
B2-1/2TPM

Threaded Case (NPT)

Packing Construction

TABLE I

| B/M No. | HP | PH | RPM | "U" Dim. | Imp. Dia. | Imp. No. |
|---------------|-----|----|------|----------|-----------|----------|
| B66614 | 1 | 1 | 1800 | 7/8" | 5.47" | L06628 |
| B66615 | 1 | 3 | 1800 | 7/8" | 5.47" | L06628 |
| B66622 | 1.5 | 1 | 1800 | 7/8" | 6.18" | L06629 |
| B66623 | 1.5 | 3 | 1800 | 7/8" | 6.18" | L06629 |
| B66630 | 2 | 1 | 1800 | 7/8" | 6.50" | L06655 |
| B66631 | 2 | 3 | 1800 | 7/8" | 6.50" | L06655 |



| Item No. | Part Description | Part Number |
|----------|------------------------------------|--------------|
| 1 | Case, Volute | L01023 |
| 2 | Impeller | See Table I |
| 13 | Rings, Packing (Set of 6) | S13469 |
| 14 | Sleeve, Shaft (2 Req.) | S00619 |
| 17 | Gland, Packing | B82469 |
| 26 | Screw, Impeller 3/8 - 16 x 1" | S23566 |
| 32 | Key, 3/16 x 1-1/4" (See Note) | S34383 |
| 69 | Washer, Impeller | S06314 |
| 71 | Bracket | See Table II |
| 73 | Gasket, Volute | S04757 |
| 800 | Capscrew, 3/8 - 16 x 7/8" (4 Req.) | S26825 |
| 801A | Stud, 1/2 - 13 x 1-1/2" (4 Req.) | S24043 |
| 801B | Stud, 3/8 - 16 x 4" (2 Req.) | S08303 |
| 802A | Nut, Hex 1/2 - 13 (4 Req.) | S23107 |
| 802B | Nut, Hex 3/8 - 16 (2 Req.) | S23343 |
| 805 | Washer, Lock | S23036 |
| 810 | Plug, Pipe 1/4 NPT (5 Req.) | S23715 |

TABLE II

| HP | PH | Bracket No. | "AK" Fit | "U" Dim. | Motor Frame |
|-----|----|-------------|----------|----------|-------------|
| 1 | 1 | L01525 | 4-1/2" | 7/8" | 143JP |
| 1 | 3 | L01525 | 4-1/2" | 7/8" | 143JP |
| 1.5 | 1 | L01525 | 4-1/2" | 7/8" | 145JP |
| 1.5 | 3 | L01525 | 4-1/2" | 7/8" | 145JP |
| 2 | 1 | L01525 | 4-1/2" | 7/8" | 182JP |
| 2 | 3 | L01525 | 4-1/2" | 7/8" | 145JP |

NOTE: For an explanation of the tabulated material found on this page and for impeller key location, refer to *Supplement A* located at the beginning of this section.



TYPE "B" SINGLE STAGE CENTRIFUGAL PUMP Electric Motor Drive

| | |
|-------------------|-----------------|
| Section | CC |
| Page | 120.7 |
| Date | January 1, 2004 |
| Supersedes 6/1/95 | |

BRONZE IMPELLER

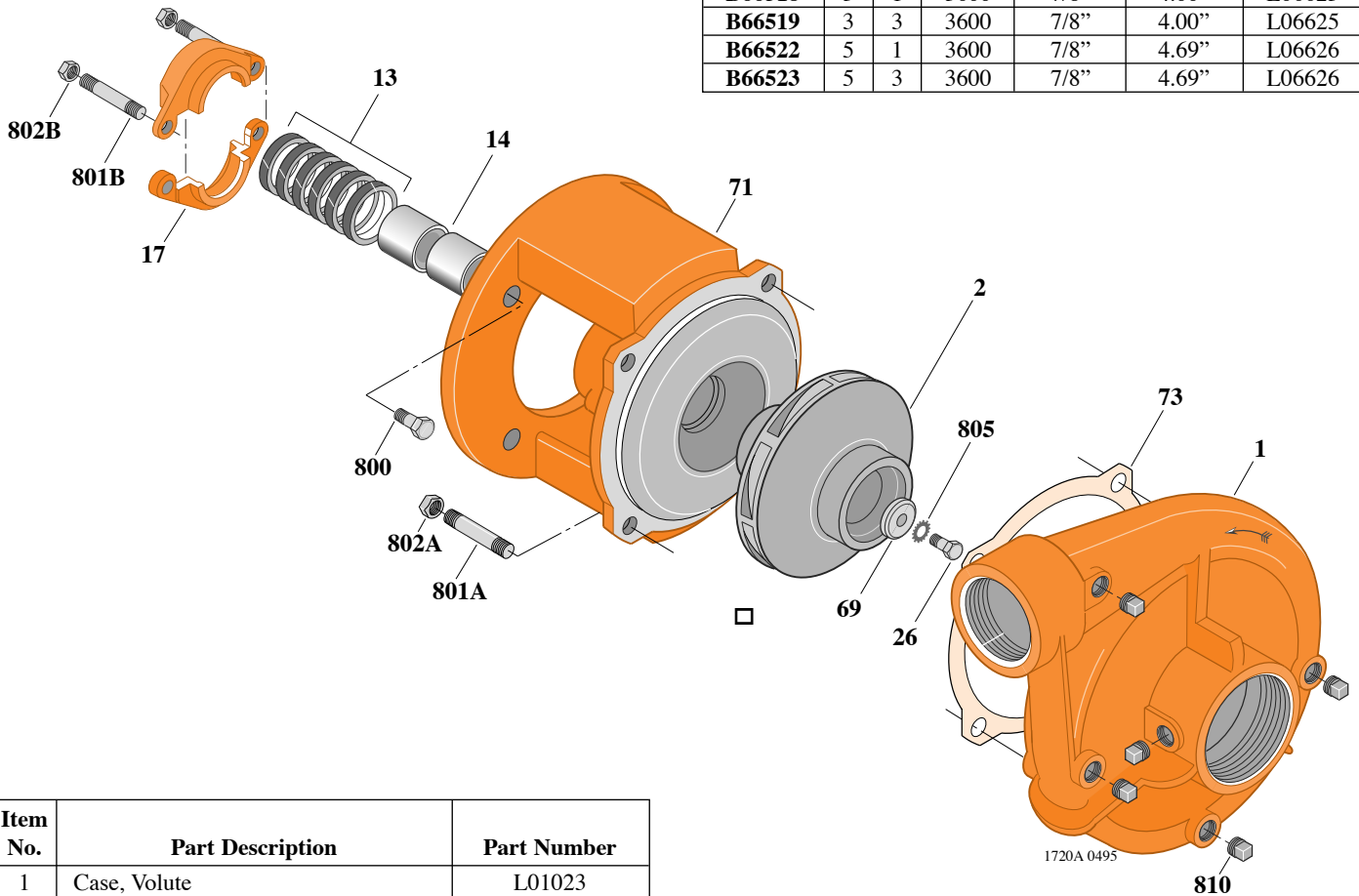
B2-1/2TPM

Threaded Case (NPT)

Packing Construction

TABLE I

| B/M No. | HP | PH | RPM | "U" Dim. | Imp. Dia. | Imp. No. |
|---------------|----|----|------|----------|-----------|----------|
| B66518 | 3 | 1 | 3600 | 7/8" | 4.00" | L06625 |
| B66519 | 3 | 3 | 3600 | 7/8" | 4.00" | L06625 |
| B66522 | 5 | 1 | 3600 | 7/8" | 4.69" | L06626 |
| B66523 | 5 | 3 | 3600 | 7/8" | 4.69" | L06626 |



| Item No. | Part Description | Part Number |
|----------|------------------------------------|--------------|
| 1 | Case, Volute | L01023 |
| 2 | Impeller | See Table I |
| 13 | Rings, Packing (Set of 6) | S13469 |
| 14 | Sleeve, Shaft (2 Req.) | S00619 |
| 17 | Gland, Packing | B82469 |
| 26 | Screw, Impeller 3/8 - 16 x 1" | S23566 |
| 32 | Key, 3/16 x 1-1/4" (See Note) | S34383 |
| 69 | Washer, Impeller | S06314 |
| 71 | Bracket | See Table II |
| 73 | Gasket, Volute | S04757 |
| 800 | Capscrew, 3/8 - 16 x 7/8" (4 Req.) | S26825 |
| 801A | Stud, 1/2 - 13 x 1-1/2" (4 Req.) | S24043 |
| 801B | Stud, 3/8 - 16 x 4" (2 Req.) | S08303 |
| 802A | Nut, Hex 1/2 - 13 (4 Req.) | S23107 |
| 802B | Nut, Hex 3/8 - 16 (2 Req.) | S23343 |
| 805 | Washer, Lock | S23036 |
| 810 | Plug, Pipe 1/4 NPT (5 Req.) | S23715 |

TABLE II

| HP | PH | Bracket No. | "AK" Fit | "U" Dim. | Motor Frame |
|----|----|-------------|----------|----------|-------------|
| 3 | 1 | L01525 | 4-1/2" | 7/8" | 182JP |
| 3 | 3 | L01525 | 4-1/2" | 7/8" | 145JP |
| 5 | 1 | L01525 | 4-1/2" | 7/8" | 184JP |
| 5 | 3 | L01525 | 4-1/2" | 7/8" | 182JP |

NOTE: For an explanation of the tabulated material found on this page and for impeller key location, refer to *Supplement A* located at the beginning of this section.



TYPE "B" SINGLE STAGE CENTRIFUGAL PUMP Electric Motor Drive

| | |
|-------------------|-----------------|
| Section | CC |
| Page | 120.8 |
| Date | January 1, 2004 |
| Supersedes 6/1/95 | |

BRONZE IMPELLER

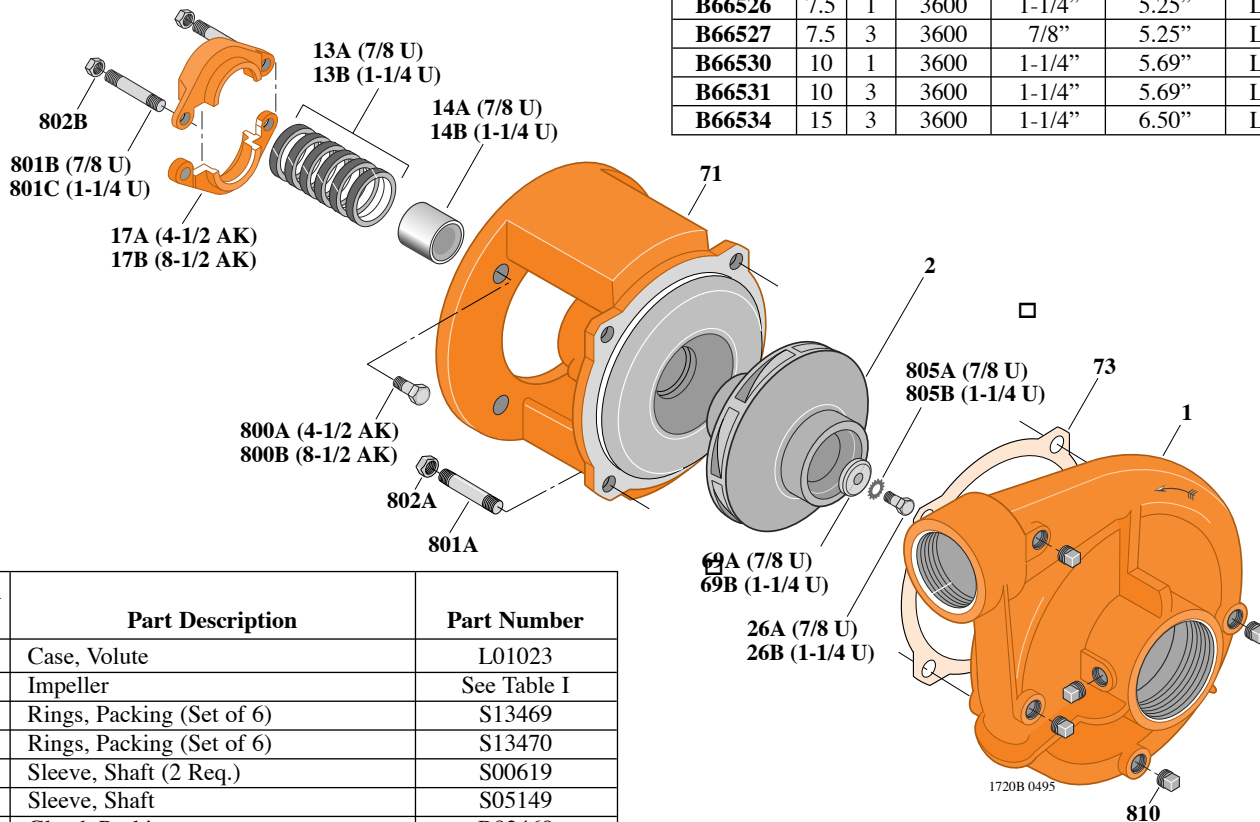
B2-1/2TPM

Threaded Case (NPT)

Packing Construction

TABLE I

| B/M No. | HP | PH | RPM | "U" Dim. | Imp. Dia. | Imp. No. |
|---------------|-----|----|------|----------|-----------|----------|
| B66526 | 7.5 | 1 | 3600 | 1-1/4" | 5.25" | L06623 |
| B66527 | 7.5 | 3 | 3600 | 7/8" | 5.25" | L06627 |
| B66530 | 10 | 1 | 3600 | 1-1/4" | 5.69" | L06624 |
| B66531 | 10 | 3 | 3600 | 1-1/4" | 5.69" | L06624 |
| B66534 | 15 | 3 | 3600 | 1-1/4" | 6.50" | L06656 |



| Item No. | Part Description | Part Number |
|----------|------------------------------------|--------------|
| 1 | Case, Volute | L01023 |
| 2 | Impeller | See Table I |
| 13A | Rings, Packing (Set of 6) | S13469 |
| 13B | Rings, Packing (Set of 6) | S13470 |
| 14A | Sleeve, Shaft (2 Req.) | S00619 |
| 14B | Sleeve, Shaft | S05149 |
| 17A | Gland, Packing | B82469 |
| 17B | Gland, Packing | B82470 |
| 26A | Screw, Impeller 3/8 - 16 x 1" | S23566 |
| 26B | Screw, Impeller 1/2 - 13 x 1" | S23619 |
| 32A | Key, 3/16 x 1-1/4" (See Note) | S34383 |
| 32B | Key, 1/4 x 2-1/4" (See Note) | S23677 |
| 69A | Washer, Impeller | S06314 |
| 69B | Washer, Impeller | S06319 |
| 71 | Bracket | See Table II |
| 73 | Gasket, Volute | S04757 |
| 800A | Capscrew, 3/8 - 16 x 7/8" (4 Req.) | S26825 |
| 800B | Capscrew, 1/2 - 13 x 1" (4 Req.) | S26912 |
| 801A | Stud, 1/2 - 13 x 1-1/2" (4 Req.) | S24043 |
| 801B | Stud, 3/8 - 16 x 4" (2 Req.) | S08303 |
| 801C | Stud, 3/8 - 16 x 3-1/2" (2 Req.) | S04441 |
| 802A | Nut, Hex 1/2 - 13 (4 Req.) | S23107 |
| 802B | Nut, Hex 3/8 - 16 (2 Req.) | S23343 |
| 805A | Washer, Lock | S23036 |
| 805B | Washer, Lock | S23038 |
| 810 | Plug, Pipe 1/4 NPT (5 Req.) | S23715 |

TABLE II

| HP | PH | Bracket No. | "AK" Fit | "U" Dim. | Motor Frame |
|-----|----|-------------|----------|----------|-------------|
| 7.5 | 1 | L01951 | 8-1/2" | 1-1/4" | 213JP |
| 7.5 | 3 | L01525 | 4-1/2" | 7/8" | 184JP |
| 10 | 1 | L01951 | 8-1/2" | 1-1/4" | 215JP |
| 10 | 3 | L01951 | 8-1/2" | 1-1/4" | 213JP |
| 15 | 3 | L01951 | 8-1/2" | 1-1/4" | 215JP |

NOTE: For an explanation of the tabulated material found on this page and for impeller key location, refer to *Supplement A* located at the beginning of this section.



TYPE "B" SINGLE STAGE CENTRIFUGAL PUMP Electric Motor Drive

| | |
|-------------------|--------------|
| Section | CC |
| Page | 120.9 |
| Date | May 15, 2009 |
| Supersedes 1/1/04 | |

BRONZE IMPELLER

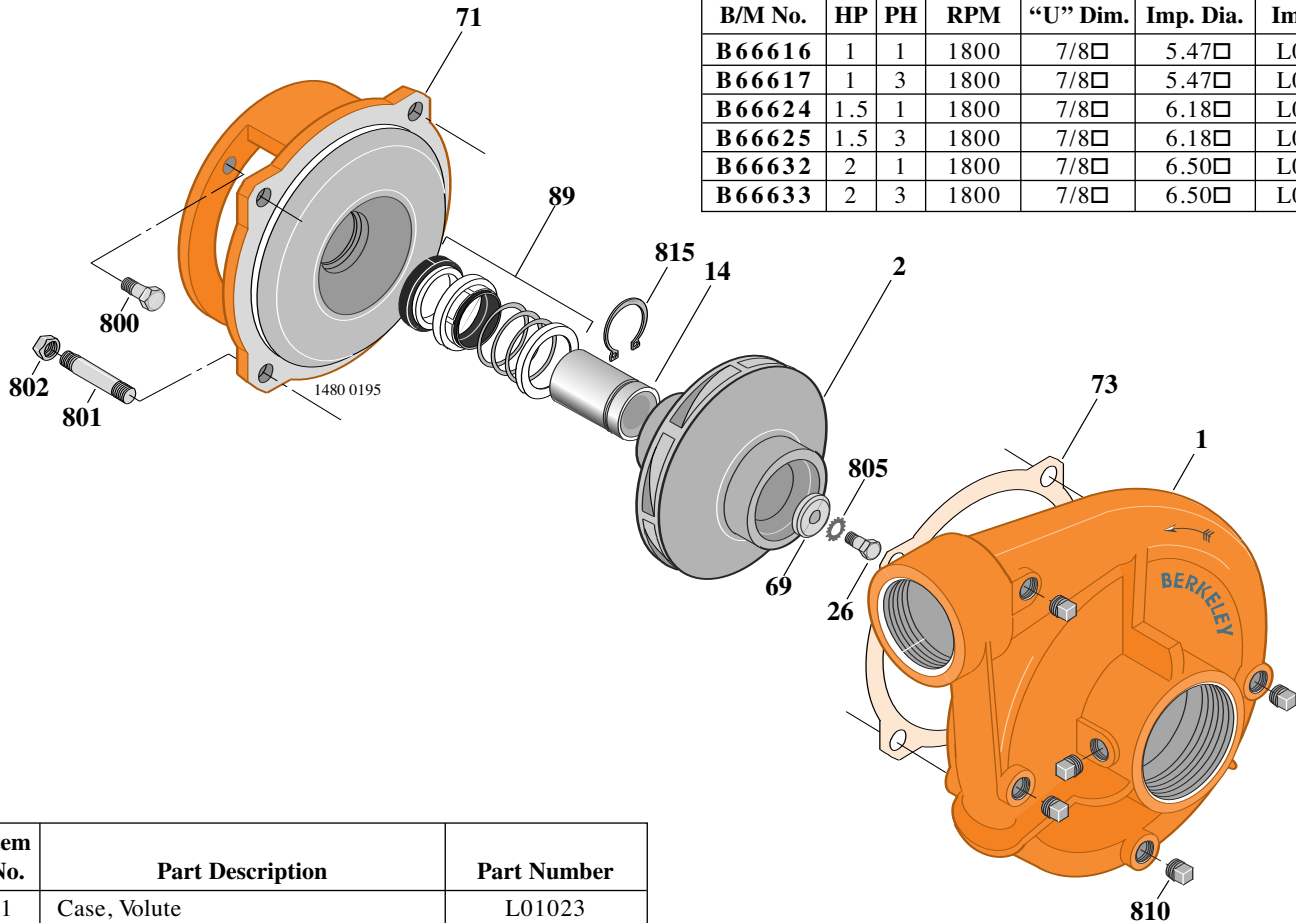
B2-1/2TPMS

Threaded Case (NPT)

Mechanical Shaft Seal Construction

TABLE I

| B/M No. | HP | PH | RPM | "U" Dim. | Imp. Dia. | Imp. No. |
|---------|-----|----|------|----------|-----------|----------|
| B66616 | 1 | 1 | 1800 | 7/8□ | 5.47□ | L06628 |
| B66617 | 1 | 3 | 1800 | 7/8□ | 5.47□ | L06628 |
| B66624 | 1.5 | 1 | 1800 | 7/8□ | 6.18□ | L06629 |
| B66625 | 1.5 | 3 | 1800 | 7/8□ | 6.18□ | L06629 |
| B66632 | 2 | 1 | 1800 | 7/8□ | 6.50□ | L06655 |
| B66633 | 2 | 3 | 1800 | 7/8□ | 6.50□ | L06655 |



| Item No. | Part Description | Part Number |
|----------|---|--------------|
| 1 | Case, Volute | L01023 |
| 2 | Impeller | See Table I |
| 14 | Sleeve, Shaft (See Note 2) | S19310L |
| 26 | Screw, Impeller 3/8 - 16 x 1□ | S23566 |
| 32 | Key, 3/16 x 1-1/4□(See Note 1) | S34383 |
| 69 | Washer, Impeller | S06314 |
| 71 | Bracket | See Table II |
| 73 | Gasket, Volute | S04757 |
| 89 | Seal, Mechanical Shaft | S32014 |
| 800 | Capscrew, 3/8 - 16 x 1□(4 Req.) (For 4-1/2 AK) | S26826 |
| 801 | Stud, 1/2 - 13 x 1-1/2□(4 Req.) | S24043 |
| 802 | Nut, 1/2 - 13 (4 Req.) | S23107 |
| 805 | Washer, Lock | S23036 |
| 810 | Plug, Pipe 1/4 NPT (5 Req.) | S23715 |
| 815 | Ring, Retaining | S11207 |

TABLE II

| HP | PH | Bracket No. | "AK" Fit | "U" Dim. | Motor Frame |
|-----|----|-------------|----------|----------|-------------|
| 1 | 1 | L05329 | 4-1/2□ | 7/8□ | 143JM |
| 1 | 3 | L05329 | 4-1/2□ | 7/8□ | 143JM |
| 1.5 | 1 | L05329 | 4-1/2□ | 7/8□ | 145JM |
| 1.5 | 3 | L05329 | 4-1/2□ | 7/8□ | 145JM |
| 2 | 1 | L05329 | 4-1/2□ | 7/8□ | 182JM |
| 2 | 3 | L05329 | 4-1/2□ | 7/8□ | 145JM |

NOTE 1: For an explanation of the tabulated material found on this page and for impeller key location, refer to *Supplement A* located at the beginning of this section.

NOTE 2: Sleeve replacement kit available. Berkeley part number B85681 includes the shaft sleeve, adhesive compound and instruction sheet.



TYPE "B" SINGLE STAGE CENTRIFUGAL PUMP Electric Motor Drive

| | |
|-------------------|--------------|
| Section | CC |
| Page | 120.10 |
| Date | May 15, 2009 |
| Supersedes 1/1/04 | |

BRONZE IMPELLER

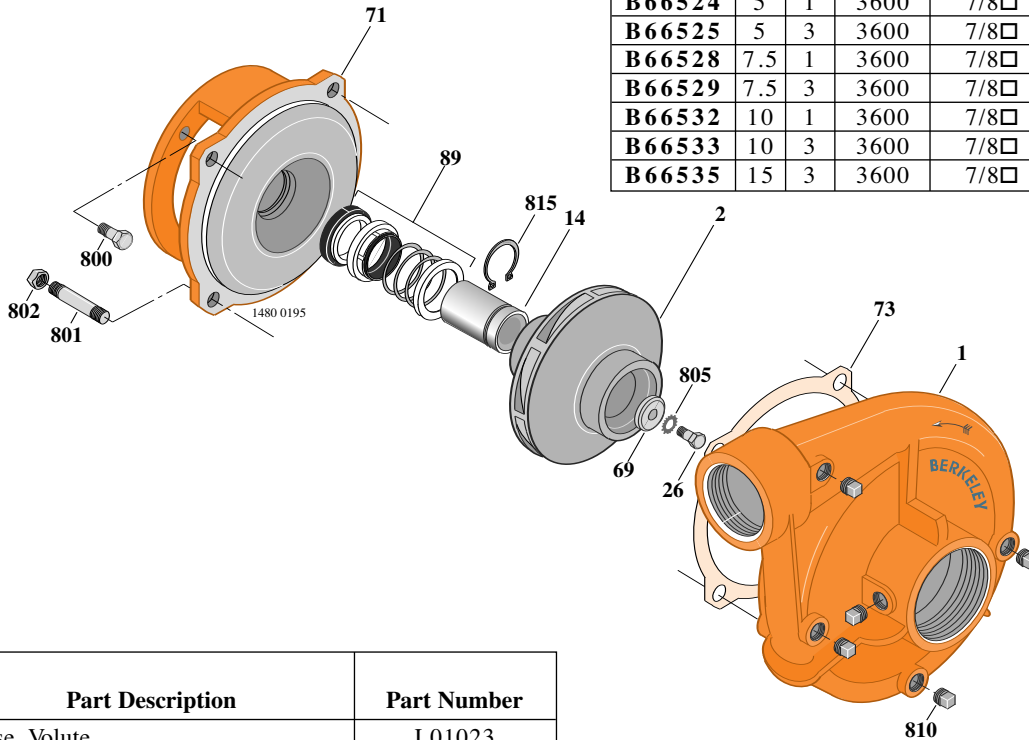
B2-1/2TPMS

Threaded Case (NPT)

Mechanical Shaft Seal Construction

TABLE I

| B/M No. | HP | PH | RPM | "U" Dim. | Imp. Dia. | Imp. No. |
|----------------|-----|----|------|----------|-----------|----------|
| B 66520 | 3 | 1 | 3600 | 7/8□ | 4.00□ | L06625 |
| B 66521 | 3 | 3 | 3600 | 7/8□ | 4.00□ | L06625 |
| B 66524 | 5 | 1 | 3600 | 7/8□ | 4.69□ | L06626 |
| B 66525 | 5 | 3 | 3600 | 7/8□ | 4.69□ | L06626 |
| B 66528 | 7.5 | 1 | 3600 | 7/8□ | 5.25□ | L06627 |
| B 66529 | 7.5 | 3 | 3600 | 7/8□ | 5.25□ | L06627 |
| B 66532 | 10 | 1 | 3600 | 7/8□ | 5.69□ | L06641 |
| B 66533 | 10 | 3 | 3600 | 7/8□ | 5.69□ | L06641 |
| B 66535 | 15 | 3 | 3600 | 7/8□ | 6.50□ | L06655 |



| Item No. | Part Description | Part Number |
|----------|---|--------------|
| 1 | Case, Volute | L01023 |
| 2 | Impeller | See Table I |
| 14 | Sleeve, Shaft (See Note 2) | S19310L |
| 26 | Screw, Impeller 3/8 - 16 x 1□ | S23566 |
| 32 | Key, 3/16 x 1-1/4□(See Note 1) | S34383 |
| 69 | Washer, Impeller | S06314 |
| 71 | Bracket | See Table II |
| 73 | Gasket, Volute | S04757 |
| 89 | Seal, Mechanical Shaft | S32014 |
| 800 | Capscrew, 3/8 - 16 x 1□(4 Req.) (For 4-1/2 AK) | S26826 |
| 800 | Capscrew, 1/2 - 13 x 1□(4 Req.) (For 8-1/2 AK) | S26912 |
| 801 | Stud, 1/2 - 13 x 1-1/2□(4 Req.) | S24043 |
| 802 | Nut, 1/2 - 13 (4 Req.) | S23107 |
| 805 | Washer, Lock | S23036 |
| 810 | Plug, Pipe 1/4 NPT (5 Req.) | S23715 |
| 815 | Ring, Retaining | S11207 |

TABLE II

| HP | PH | Bracket No. | "AK" Fit | "U" Dim. | Motor Frame |
|-----|----|-------------|----------|----------|-------------|
| 3 | 1 | L05329 | 4-1/2□ | 7/8□ | 182JM |
| 3 | 3 | L05329 | 4-1/2□ | 7/8□ | 145JM |
| 5 | 1 | L05329 | 4-1/2□ | 7/8□ | 184JM |
| 5 | 3 | L05329 | 4-1/2□ | 7/8□ | 182JM |
| 7.5 | 1 | L05328 | 8-1/2□ | 7/8□ | 213JM |
| 7.5 | 3 | L05329 | 4-1/2□ | 7/8□ | 184JM |
| 10 | 1 | L05328 | 8-1/2□ | 7/8□ | 215JM |
| 10 | 3 | L05328 | 8-1/2□ | 7/8□ | 213JM |
| 15 | 3 | L05328 | 8-1/2□ | 7/8□ | 215JM |

NOTE 1: For an explanation of the tabulated material found on this page and for impeller key location, refer to *Supplement A* located at the beginning of this section.

NOTE 2: Sleeve replacement kit available. Berkeley part number B85681 includes the shaft sleeve, adhesive compound and instruction sheet.



TYPE "B" SINGLE STAGE CENTRIFUGAL PUMP Electric Motor Drive

| | |
|-------------------|-----------------|
| Section | CC |
| Page | 120.11 |
| Date | January 1, 2004 |
| Supersedes 9/1/97 | |

SILICON BRONZE IMPELLER

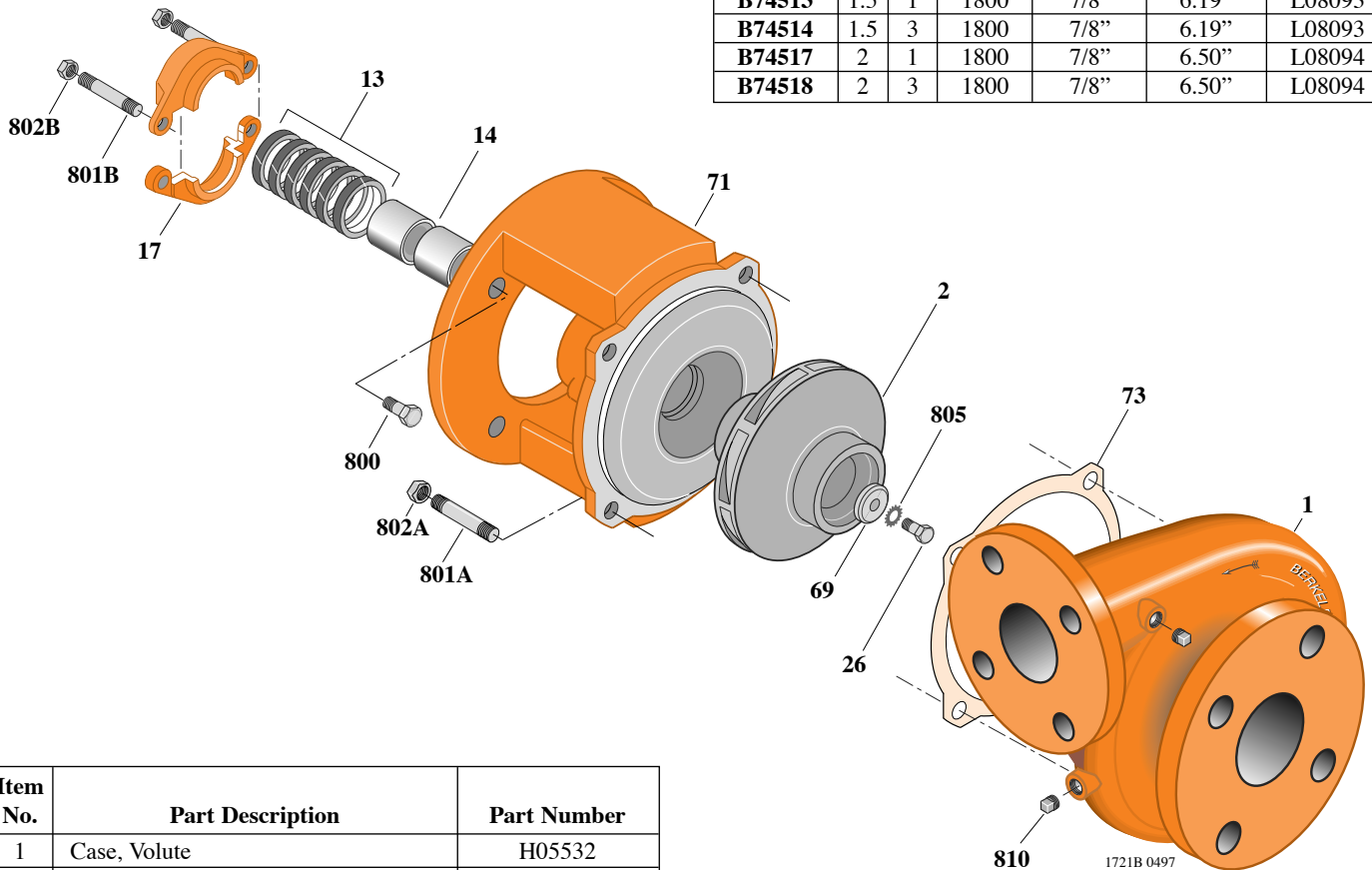
B2-1/2TPM

Flanged Case

Packing Construction

TABLE I

| B/M No. | HP | PH | RPM | "U" Dim. | Imp. Dia. | Imp. No. |
|---------------|-----|----|------|----------|-----------|----------|
| B74509 | 1 | 1 | 1800 | 7/8" | 5.44" | L08091 |
| B74510 | 1 | 3 | 1800 | 7/8" | 5.44" | L08091 |
| B74513 | 1.5 | 1 | 1800 | 7/8" | 6.19" | L08093 |
| B74514 | 1.5 | 3 | 1800 | 7/8" | 6.19" | L08093 |
| B74517 | 2 | 1 | 1800 | 7/8" | 6.50" | L08094 |
| B74518 | 2 | 3 | 1800 | 7/8" | 6.50" | L08094 |



| Item No. | Part Description | Part Number |
|----------|------------------------------------|--------------|
| 1 | Case, Volute | H05532 |
| 2 | Impeller | See Table I |
| 13 | Rings, Packing (Set of 6) | S13469 |
| 14 | Sleeve, Shaft (2 Req.) | S00619 |
| 17 | Gland, Packing | B82469 |
| 26 | Screw, Impeller 3/8 - 16 x 1" | S23566 |
| 32 | Key, 3/16 x 1-1/4" (See Note) | S34383 |
| 69 | Washer, Impeller | S06314 |
| 71 | Bracket | See Table II |
| 73 | Gasket, Volute | S04757 |
| 800 | Capscrew, 3/8 - 16 x 7/8" (4 Req.) | S26825 |
| 801A | Stud, 1/2 - 13 x 1-1/2" (4 Req.) | S24043 |
| 801B | Stud, 3/8 - 16 x 4" (2 Req.) | S08303 |
| 802A | Nut, Hex 1/2 - 13 (4 Req.) | S23107 |
| 802B | Nut, Hex 3/8 - 16 (2 Req.) | S23343 |
| 805 | Washer, Lock | S23036 |
| 810 | Plug, Pipe 1/4" NPT (4 Req.) | S23715 |

TABLE II

| HP | PH | Bracket No. | "AK" Fit | "U" Dim. | Motor Frame |
|-----|----|-------------|----------|----------|-------------|
| 1 | 1 | L01525 | 4-1/2" | 7/8" | 143JP |
| 1 | 3 | L01525 | 4-1/2" | 7/8" | 143JP |
| 1.5 | 1 | L01525 | 4-1/2" | 7/8" | 145JP |
| 1.5 | 3 | L01525 | 4-1/2" | 7/8" | 145JP |
| 2 | 1 | L01525 | 4-1/2" | 7/8" | 182JP |
| 2 | 3 | L01525 | 4-1/2" | 7/8" | 145JP |

NOTE: For an explanation of the tabulated material found on this page and for impeller key location, refer to *Supplement A* located at the beginning of this section.



TYPE "B" SINGLE STAGE CENTRIFUGAL PUMP Electric Motor Drive

| | |
|-------------------|-----------------|
| Section | CC |
| Page | 120.12 |
| Date | January 1, 2004 |
| Supersedes 9/1/97 | |

SILICON BRONZE IMPELLER

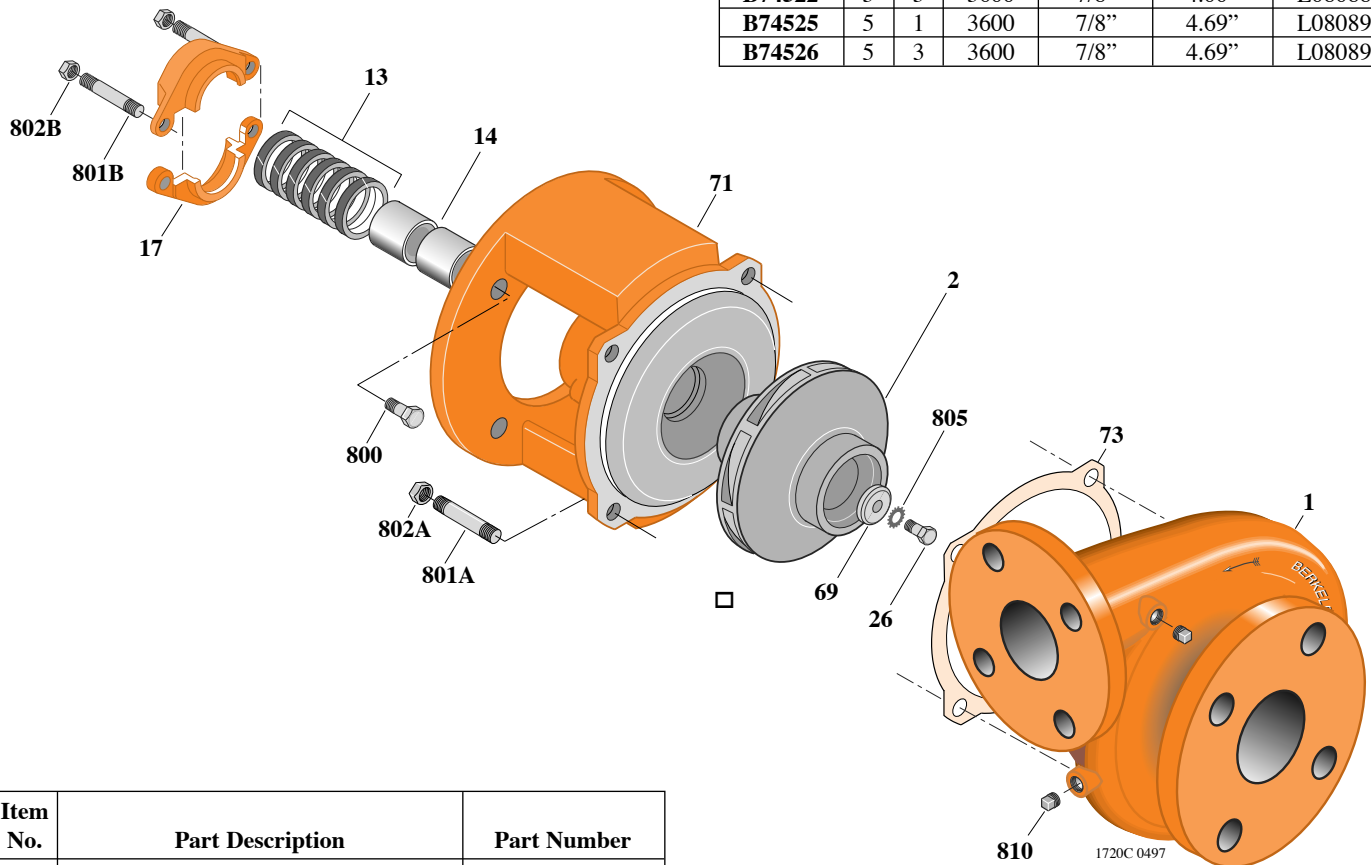
B2-1/2TPM

Flanged Case

Packing Construction

TABLE I

| B/M No. | HP | PH | RPM | "U" Dim. | Imp. Dia. | Imp. No. |
|---------------|----|----|------|----------|-----------|----------|
| B74521 | 3 | 1 | 3600 | 7/8" | 4.00" | L08088 |
| B74522 | 3 | 3 | 3600 | 7/8" | 4.00" | L08088 |
| B74525 | 5 | 1 | 3600 | 7/8" | 4.69" | L08089 |
| B74526 | 5 | 3 | 3600 | 7/8" | 4.69" | L08089 |



| Item No. | Part Description | Part Number |
|----------|------------------------------------|--------------|
| 1 | Case, Volute | H05532 |
| 2 | Impeller | See Table I |
| 13 | Rings, Packing (Set of 6) | S13469 |
| 14 | Sleeve, Shaft (2 Req.) | S00619 |
| 17 | Gland, Packing | B82469 |
| 26 | Screw, Impeller 3/8 - 16 x 1" | S23566 |
| 32 | Key, 3/16 x 1-1/4" (See Note) | S34383 |
| 69 | Washer, Impeller | S06314 |
| 71 | Bracket | See Table II |
| 73 | Gasket, Volute | S04757 |
| 800 | Capscrew, 3/8 - 16 x 7/8" (4 Req.) | S26825 |
| 801A | Stud, 1/2 - 13 x 1-1/2" (4 Req.) | S24043 |
| 801B | Stud, 3/8 - 16 x 4" (2 Req.) | S08303 |
| 802A | Nut, Hex 1/2 - 13 (4 Req.) | S23107 |
| 802B | Nut, Hex 3/8 - 16 (2 Req.) | S23343 |
| 805 | Washer, Lock | S23036 |
| 810 | Plug, Pipe 1/4" NPT (4 Req.) | S23715 |

TABLE II

| HP | PH | Bracket No. | "AK" Fit | "U" Dim. | Motor Frame |
|----|----|-------------|----------|----------|-------------|
| 3 | 1 | L01525 | 4-1/2" | 7/8" | 182JP |
| 3 | 3 | L01525 | 4-1/2" | 7/8" | 145JP |
| 5 | 1 | L01525 | 4-1/2" | 7/8" | 184JP |
| 5 | 3 | L01525 | 4-1/2" | 7/8" | 182JP |

NOTE: For an explanation of the tabulated material found on this page and for impeller key location, refer to *Supplement A* located at the beginning of this section.



TYPE "B" SINGLE STAGE CENTRIFUGAL PUMP Electric Motor Drive

| | |
|-------------------|-----------------|
| Section | CC |
| Page | 120.13 |
| Date | January 1, 2004 |
| Supersedes 9/1/97 | |

SILICON BRONZE IMPELLER

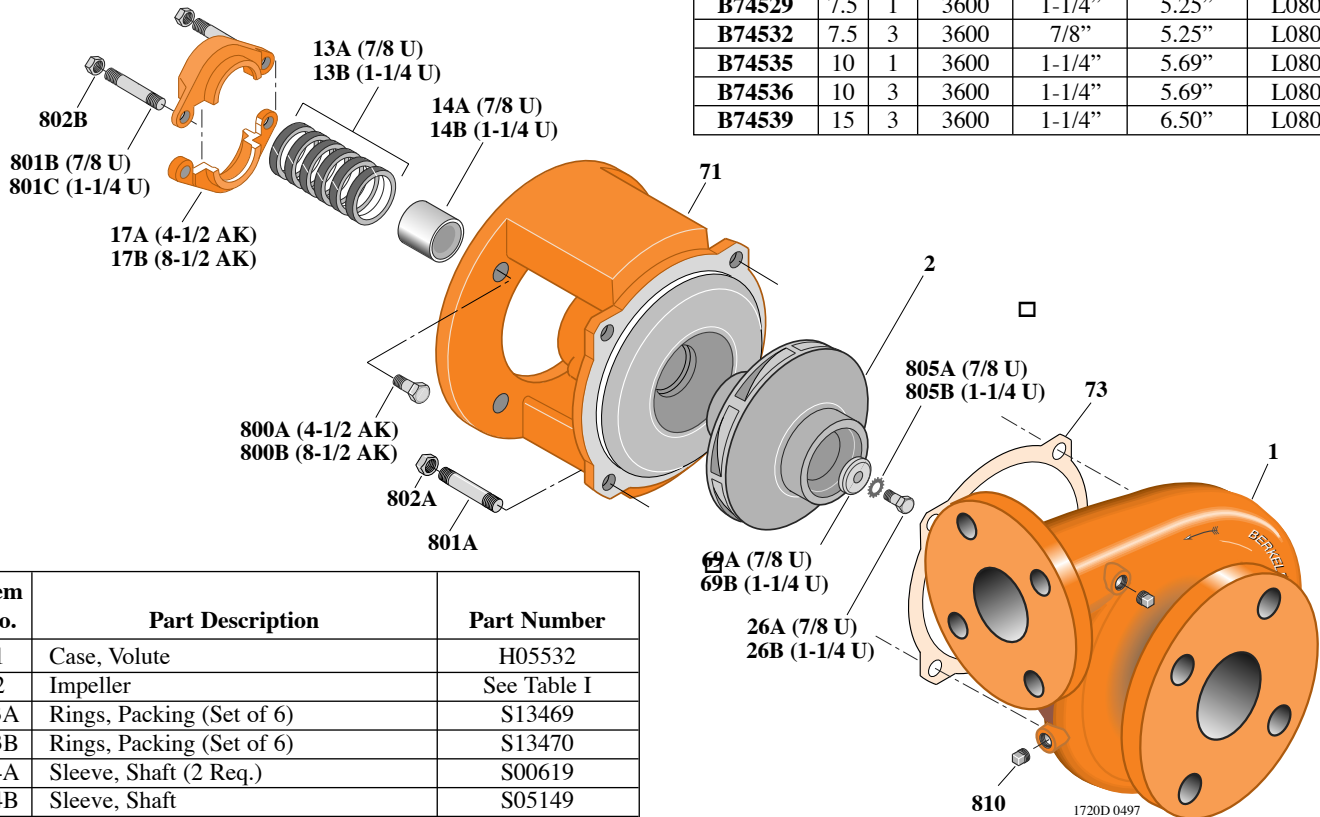
B2-1/2TPM

Flanged Case

Packing Construction

TABLE I

| B/M No. | HP | PH | RPM | "U" Dim. | Imp. Dia. | Imp. No. |
|---------------|-----|----|------|----------|-----------|----------|
| B74529 | 7.5 | 1 | 3600 | 1-1/4" | 5.25" | L08085 |
| B74532 | 7.5 | 3 | 3600 | 7/8" | 5.25" | L08090 |
| B74535 | 10 | 1 | 3600 | 1-1/4" | 5.69" | L08086 |
| B74536 | 10 | 3 | 3600 | 1-1/4" | 5.69" | L08086 |
| B74539 | 15 | 3 | 3600 | 1-1/4" | 6.50" | L08087 |



| Item No. | Part Description | Part Number |
|----------|------------------------------------|--------------|
| 1 | Case, Volute | H05532 |
| 2 | Impeller | See Table I |
| 13A | Rings, Packing (Set of 6) | S13469 |
| 13B | Rings, Packing (Set of 6) | S13470 |
| 14A | Sleeve, Shaft (2 Req.) | S00619 |
| 14B | Sleeve, Shaft | S05149 |
| 17A | Gland, Packing | B82469 |
| 17B | Gland, Packing | B82470 |
| 26A | Screw, Impeller 3/8 - 16 x 1" | S23566 |
| 26B | Screw, Impeller 1/2 - 13 x 1" | S23619 |
| 32A | Key, 3/16 x 1-1/4" (See Note) | S34383 |
| 32B | Key, 1/4 x 2-1/4" (See Note) | S23677 |
| 69A | Washer, Impeller | S06314 |
| 69B | Washer, Impeller | S06319 |
| 71 | Bracket | See Table II |
| 73 | Gasket, Volute | S04757 |
| 800A | Capscrew, 3/8 - 16 x 7/8" (4 Req.) | S26825 |
| 800B | Capscrew, 1/2 - 13 x 1" (4 Req.) | S26912 |
| 801A | Stud, 1/2 - 13 x 1-1/2" (4 Req.) | S24043 |
| 801B | Stud, 3/8 - 16 x 4" (2 Req.) | S08303 |
| 801C | Stud, 3/8 - 16 x 3-1/2" (2 Req.) | S04441 |
| 802A | Nut, Hex 1/2 - 13 (4 Req.) | S23107 |
| 802B | Nut, Hex 3/8 - 16 (2 Req.) | S23343 |
| 805A | Washer, Lock | S23036 |
| 805B | Washer, Lock | S23038 |
| 810 | Plug, Pipe 1/4" NPT (4 Req.) | S23715 |

TABLE II

| HP | PH | Bracket No. | "AK" Fit | "U" Dim. | Motor Frame |
|-----|----|-------------|----------|----------|-------------|
| 7.5 | 1 | L01951 | 8-1/2" | 1-1/4" | 213JP |
| 7.5 | 3 | L01525 | 4-1/2" | 7/8" | 184JP |
| 10 | 1 | L01951 | 8-1/2" | 1-1/4" | 215JP |
| 10 | 3 | L01951 | 8-1/2" | 1-1/4" | 213JP |
| 15 | 3 | L01951 | 8-1/2" | 1-1/4" | 215JP |

NOTE: For an explanation of the tabulated material found on this page and for impeller key location, refer to *Supplement A* located at the beginning of this section.



TYPE "B" SINGLE STAGE CENTRIFUGAL PUMP Electric Motor Drive

| | |
|-------------------|--------------|
| Section | CC |
| Page | 120.14 |
| Date | May 15, 2009 |
| Supersedes 1/1/04 | |

SILICON BRONZE IMPELLER

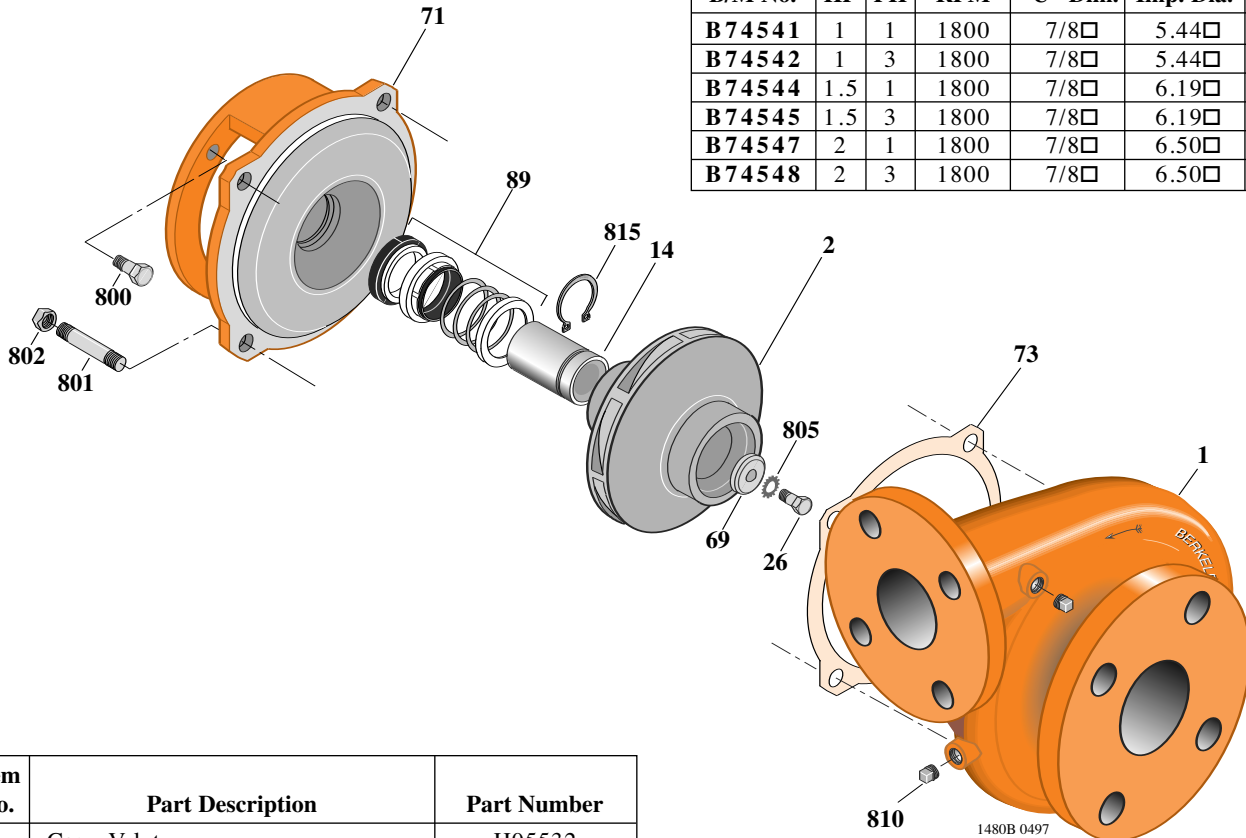
B2-1/2TPMS

Flanged Case

Mechanical Shaft Seal Construction

TABLE I

| B/M No. | HP | PH | RPM | "U" Dim. | Imp. Dia. | Imp. No. |
|---------------|-----|----|------|----------|-----------|----------|
| B74541 | 1 | 1 | 1800 | 7/8□ | 5.44□ | L08091 |
| B74542 | 1 | 3 | 1800 | 7/8□ | 5.44□ | L08091 |
| B74544 | 1.5 | 1 | 1800 | 7/8□ | 6.19□ | L08093 |
| B74545 | 1.5 | 3 | 1800 | 7/8□ | 6.19□ | L08093 |
| B74547 | 2 | 1 | 1800 | 7/8□ | 6.50□ | L08094 |
| B74548 | 2 | 3 | 1800 | 7/8□ | 6.50□ | L08094 |



| Item No. | Part Description | Part Number |
|----------|---------------------------------|--------------|
| 1 | Case, Volute | H05532 |
| 2 | Impeller | See Table I |
| 14 | Sleeve, Shaft (See Note 2) | S19310L |
| 26 | Screw, Impeller 3/8 - 16 x 1□ | S23566 |
| 32 | Key, 3/16 x 1-1/4□(See Note 1) | S34383 |
| 69 | Washer, Impeller | S06314 |
| 71 | Bracket | See Table II |
| 73 | Gasket, Volute | S04757 |
| 89 | Seal, Mechanical Shaft | S32014 |
| 800 | Capscrew, 3/8 - 16 x 1□(4 Req.) | S26826 |
| 801 | Stud, 1/2 - 13 x 1-1/2□(4 Req.) | S24043 |
| 802 | Nut, 1/2 - 13 (4 Req.) | S23107 |
| 805 | Washer, Lock | S23036 |
| 810 | Plug, Pipe 1/4□NPT (4 Req.) | S23715 |
| 815 | Ring, Retaining | S11207 |
| □ | Plug, Pipe 1/8□NPT (In Bracket) | S23714 |

□Not illustrated.

TABLE II

| HP | PH | Bracket No. | "AK" Fit | "U" Dim. | Motor Frame |
|-----|----|-------------|----------|----------|-------------|
| 1 | 1 | L05329 | 4-1/2□ | 7/8□ | 143JM |
| 1 | 3 | L05329 | 4-1/2□ | 7/8□ | 143JM |
| 1.5 | 1 | L05329 | 4-1/2□ | 7/8□ | 145JM |
| 1.5 | 3 | L05329 | 4-1/2□ | 7/8□ | 145JM |
| 2 | 1 | L05329 | 4-1/2□ | 7/8□ | 182JM |
| 2 | 3 | L05329 | 4-1/2□ | 7/8□ | 145JM |

NOTE 1: For an explanation of the tabulated material found on this page and for impeller key location, refer to **Supplement A** located at the beginning of this section.

NOTE 2: Sleeve replacement kit available. Berkeley part number B85681 includes the shaft sleeve, adhesive compound and instruction sheet.

NOTE 3: For seal flush line details, see **Supplement D**.



TYPE "B" SINGLE STAGE CENTRIFUGAL PUMP Electric Motor Drive

| | |
|-------------------|--------------|
| Section | CC |
| Page | 120.15 |
| Date | May 15, 2009 |
| Supersedes 1/1/04 | |

SILICON BRONZE IMPELLER

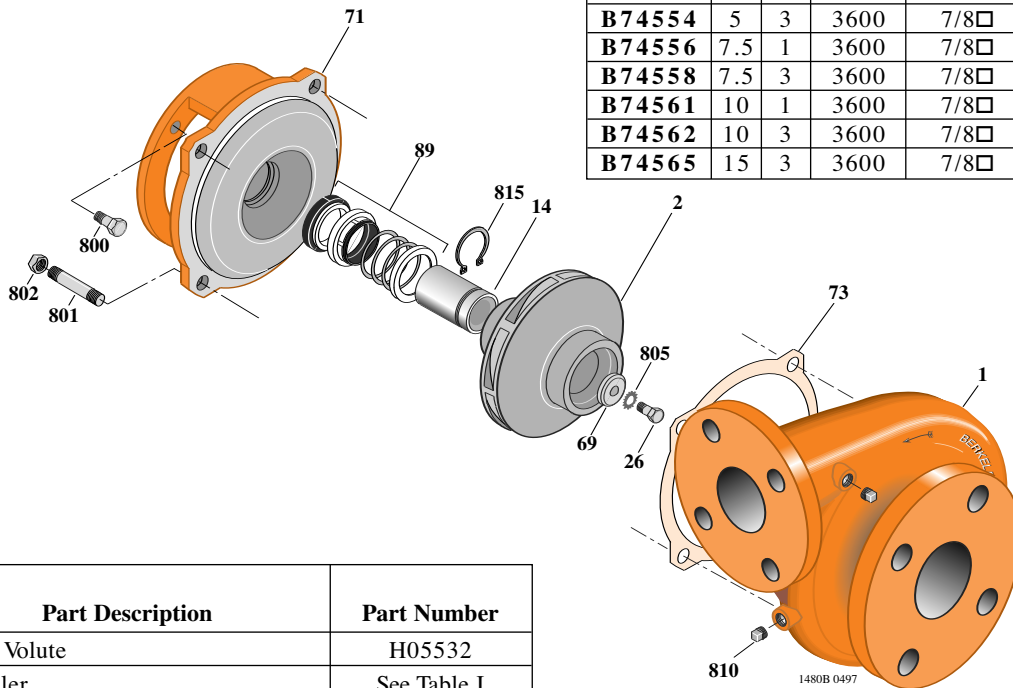
B2-1/2TPMS

Flanged Case

Mechanical Shaft Seal Construction

TABLE I

| B/M No. | HP | PH | RPM | "U" Dim. | Imp. Dia. | Imp. No. |
|---------------|-----|----|------|----------|-----------|----------|
| B74550 | 3 | 1 | 3600 | 7/8□ | 4.00□ | L08088 |
| B74551 | 3 | 3 | 3600 | 7/8□ | 4.00□ | L08088 |
| B74553 | 5 | 1 | 3600 | 7/8□ | 4.69□ | L08089 |
| B74554 | 5 | 3 | 3600 | 7/8□ | 4.69□ | L08089 |
| B74556 | 7.5 | 1 | 3600 | 7/8□ | 5.25□ | L08090 |
| B74558 | 7.5 | 3 | 3600 | 7/8□ | 5.25□ | L08090 |
| B74561 | 10 | 1 | 3600 | 7/8□ | 5.69□ | L08092 |
| B74562 | 10 | 3 | 3600 | 7/8□ | 5.69□ | L08092 |
| B74565 | 15 | 3 | 3600 | 7/8□ | 6.50□ | L08094 |



| Item No. | Part Description | Part Number |
|----------|---|--------------|
| 1 | Case, Volute | H05532 |
| 2 | Impeller | See Table I |
| 14 | Sleeve, Shaft (See Note 2) | S19310L |
| 26 | Screw, Impeller 3/8 - 16 x 1□ | S23566 |
| 32 | Key, 3/16 x 1-1/4□(See Note 1) | S34383 |
| 69 | Washer, Impeller | S06314 |
| 71 | Bracket | See Table II |
| 73 | Gasket, Volute | S04757 |
| 89 | Seal, Mechanical Shaft | S32014 |
| 800 | Capscrew, 3/8 - 16 x 1□(4 Req.) (For 4-1/2 AK) | S26826 |
| 800 | Capscrew, 1/2 - 13 x 1□(4 Req.) (For 8-1/2 AK) | S26912 |
| 801 | Stud, 1/2 - 13 x 1-1/2□(4 Req.) | S24043 |
| 802 | Nut, 1/2 - 13 (4 Req.) | S23107 |
| 805 | Washer, Lock | S23036 |
| 810 | Plug, Pipe 1/4□NPT (4 Req.) | S23715 |
| 815 | Ring, Retaining | S11207 |
| □ | Plug, Pipe 1/8□NPT (In Bracket) | S23714 |

TABLE II

| HP | PH | Bracket No. | "AK" Fit | "U" Dim. | Motor Frame |
|-----|----|-------------|----------|----------|-------------|
| 3 | 1 | L05329 | 4-1/2□ | 7/8□ | 182JM |
| 3 | 3 | L05329 | 4-1/2□ | 7/8□ | 145JM |
| 5 | 1 | L05329 | 4-1/2□ | 7/8□ | 184JM |
| 5 | 3 | L05329 | 4-1/2□ | 7/8□ | 182JM |
| 7.5 | 1 | L05328 | 8-1/2□ | 7/8□ | 213JM |
| 7.5 | 3 | L05329 | 4-1/2□ | 7/8□ | 184JM |
| 10 | 1 | L05328 | 8-1/2□ | 7/8□ | 215JM |
| 10 | 3 | L05328 | 8-1/2□ | 7/8□ | 213JM |
| 15 | 3 | L05328 | 8-1/2□ | 7/8□ | 215JM |

NOTE 1: For an explanation of the tabulated material found on this page and for impeller key location, refer to *Supplement A* located at the beginning of this section.

NOTE 2: Sleeve replacement kit available. Berkeley part number B85681 includes the shaft sleeve, adhesive compound and instruction sheet.

NOTE 3: For seal flush line details, see *Supplement D*.

□ Not illustrated.



TYPE "B" SINGLE STAGE CENTRIFUGAL PUMP Electric Motor Drive

| | |
|-------------------|-----------------|
| Section | CC |
| Page | 120.16 |
| Date | January 1, 2004 |
| Supersedes 9/1/97 | |

SILICON BRONZE IMPELLER

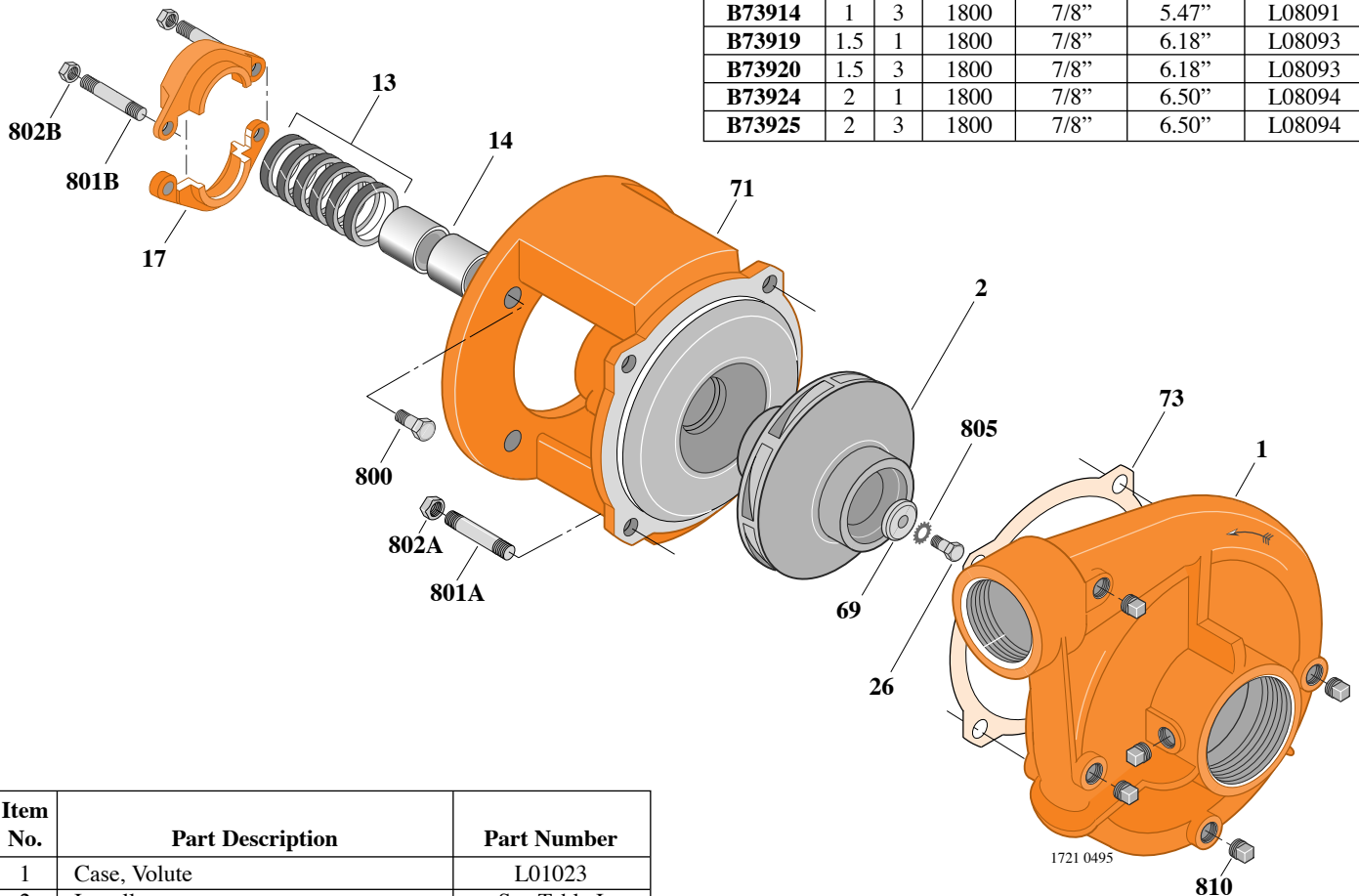
B2-1/2TPM

Threaded Case (NPT)

Packing Construction

TABLE I

| B/M No. | HP | PH | RPM | "U" Dim. | Imp. Dia. | Imp. No. |
|---------------|-----|----|------|----------|-----------|----------|
| B73913 | 1 | 1 | 1800 | 7/8" | 5.47" | L08091 |
| B73914 | 1 | 3 | 1800 | 7/8" | 5.47" | L08091 |
| B73919 | 1.5 | 1 | 1800 | 7/8" | 6.18" | L08093 |
| B73920 | 1.5 | 3 | 1800 | 7/8" | 6.18" | L08093 |
| B73924 | 2 | 1 | 1800 | 7/8" | 6.50" | L08094 |
| B73925 | 2 | 3 | 1800 | 7/8" | 6.50" | L08094 |



| Item No. | Part Description | Part Number |
|----------|-------------------------------------|--------------|
| 1 | Case, Volute | L01023 |
| 2 | Impeller | See Table I |
| 13 | Rings, Packing (Set of 6) | S13469 |
| 14 | Sleeve, Shaft (2 Req.) | S00619 |
| 17 | Gland, Packing | B82469 |
| 26 | Screw, Impeller 3/8 - 16 x 1" | S23566 |
| 32 | Key, 3/16 x 1-1/4" (See Note) | S34383 |
| 69 | Washer, Impeller | S06314 |
| 71 | Bracket | See Table II |
| 73 | Gasket, Volute | S04757 |
| 800 | Cap screw, 3/8 - 16 x 7/8" (4 Req.) | S26825 |
| 801A | Stud, 1/2 - 13 x 1-1/2" (4 Req.) | S24043 |
| 801B | Stud, 3/8 - 16 x 4" (2 Req.) | S08303 |
| 802A | Nut, Hex 1/2 - 13 (4 Req.) | S23107 |
| 802B | Nut, Hex 3/8 - 16 (2 Req.) | S23343 |
| 805 | Washer, Lock | S23036 |
| 810 | Plug, Pipe 1/4" NPT (5 Req.) | S23715 |

TABLE II

| HP | PH | Bracket No. | "AK" Fit | "U" Dim. | Motor Frame |
|-----|----|-------------|----------|----------|-------------|
| 1 | 1 | L01525 | 4-1/2" | 7/8" | 143JP |
| 1 | 3 | L01525 | 4-1/2" | 7/8" | 143JP |
| 1.5 | 1 | L01525 | 4-1/2" | 7/8" | 145JP |
| 1.5 | 3 | L01525 | 4-1/2" | 7/8" | 145JP |
| 2 | 1 | L01525 | 4-1/2" | 7/8" | 182JP |
| 2 | 3 | L01525 | 4-1/2" | 7/8" | 145JP |

NOTE: For an explanation of the tabulated material found on this page and for impeller key location, refer to *Supplement A* located at the beginning of this section.



TYPE "B" SINGLE STAGE CENTRIFUGAL PUMP Electric Motor Drive

| | |
|-------------------|-----------------|
| Section | CC |
| Page | 120.17 |
| Date | January 1, 2004 |
| Supersedes 9/1/97 | |

SILICON BRONZE IMPELLER

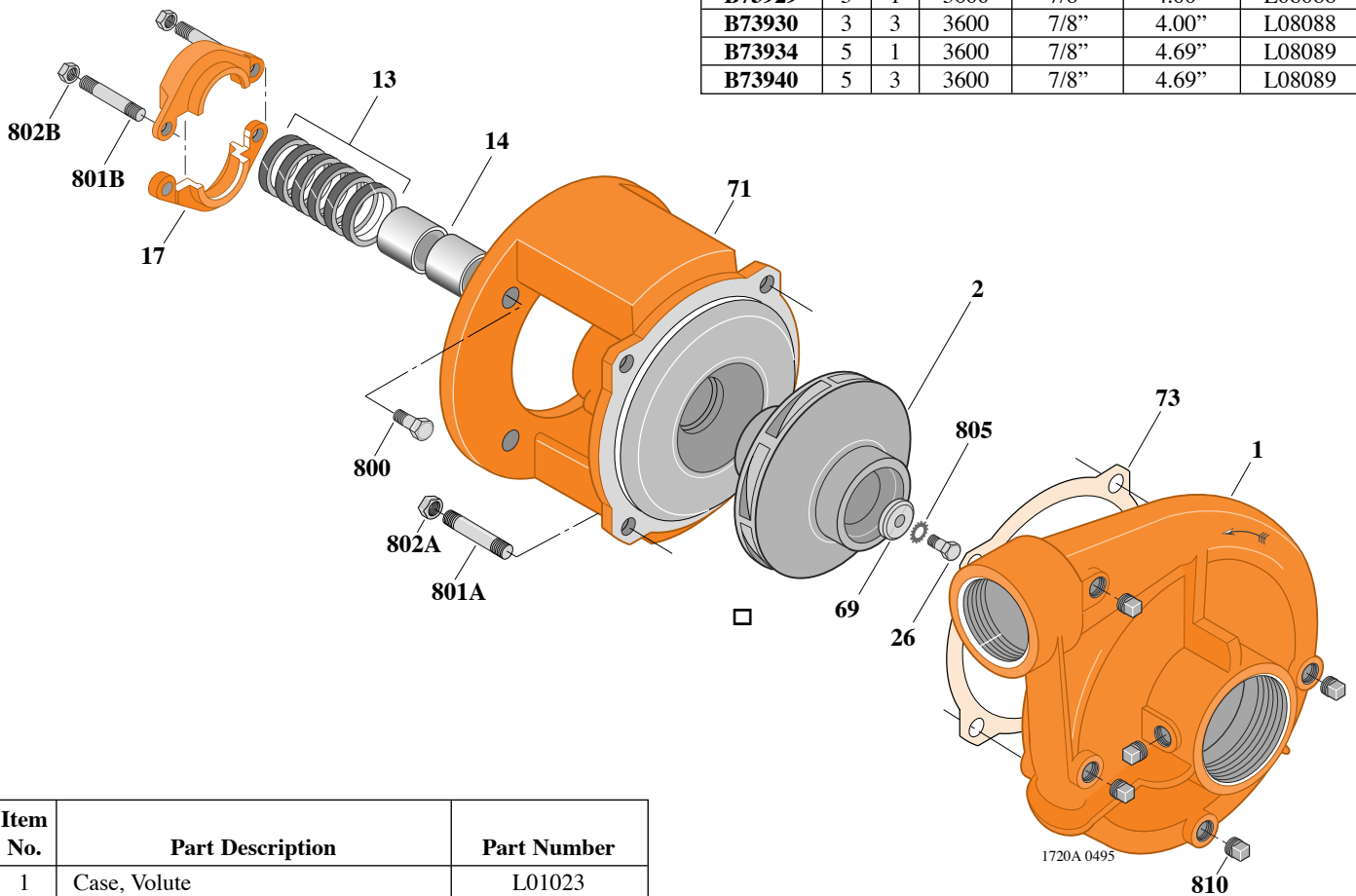
B2-1/2TPM

Threaded Case (NPT)

Packing Construction

TABLE I

| B/M No. | HP | PH | RPM | "U" Dim. | Imp. Dia. | Imp. No. |
|---------------|----|----|------|----------|-----------|----------|
| B73929 | 3 | 1 | 3600 | 7/8" | 4.00" | L08088 |
| B73930 | 3 | 3 | 3600 | 7/8" | 4.00" | L08088 |
| B73934 | 5 | 1 | 3600 | 7/8" | 4.69" | L08089 |
| B73940 | 5 | 3 | 3600 | 7/8" | 4.69" | L08089 |



| Item No. | Part Description | Part Number |
|----------|------------------------------------|--------------|
| 1 | Case, Volute | L01023 |
| 2 | Impeller | See Table I |
| 13 | Rings, Packing (Set of 6) | S13469 |
| 14 | Sleeve, Shaft (2 Req.) | S00619 |
| 17 | Gland, Packing | B82469 |
| 26 | Screw, Impeller 3/8 - 16 x 1" | S23566 |
| 32 | Key, 3/16 x 1-1/4" (See Note) | S34383 |
| 69 | Washer, Impeller | S06314 |
| 71 | Bracket | See Table II |
| 73 | Gasket, Volute | S04757 |
| 800 | Capscrew, 3/8 - 16 x 7/8" (4 Req.) | S26825 |
| 801A | Stud, 1/2 - 13 x 1-1/2" (4 Req.) | S24043 |
| 801B | Stud, 3/8 - 16 x 4" (2 Req.) | S08303 |
| 802A | Nut, Hex 1/2 - 13 (4 Req.) | S23107 |
| 802B | Nut, Hex 3/8 - 16 (2 Req.) | S23343 |
| 805 | Washer, Lock | S23036 |
| 810 | Plug, Pipe 1/4" NPT (5 Req.) | S23715 |

TABLE II

| HP | PH | Bracket No. | "AK" Fit | "U" Dim. | Motor Frame |
|----|----|-------------|----------|----------|-------------|
| 3 | 1 | L01525 | 4-1/2" | 7/8" | 182JP |
| 3 | 3 | L01525 | 4-1/2" | 7/8" | 145JP |
| 5 | 1 | L01525 | 4-1/2" | 7/8" | 184JP |
| 5 | 3 | L01525 | 4-1/2" | 7/8" | 182JP |

NOTE: For an explanation of the tabulated material found on this page and for impeller key location, refer to *Supplement A* located at the beginning of this section.



TYPE "B" SINGLE STAGE CENTRIFUGAL PUMP Electric Motor Drive

| | |
|-------------------|-----------------|
| Section | CC |
| Page | 120.18 |
| Date | January 1, 2004 |
| Supersedes 9/1/97 | |

SILICON BRONZE IMPELLER

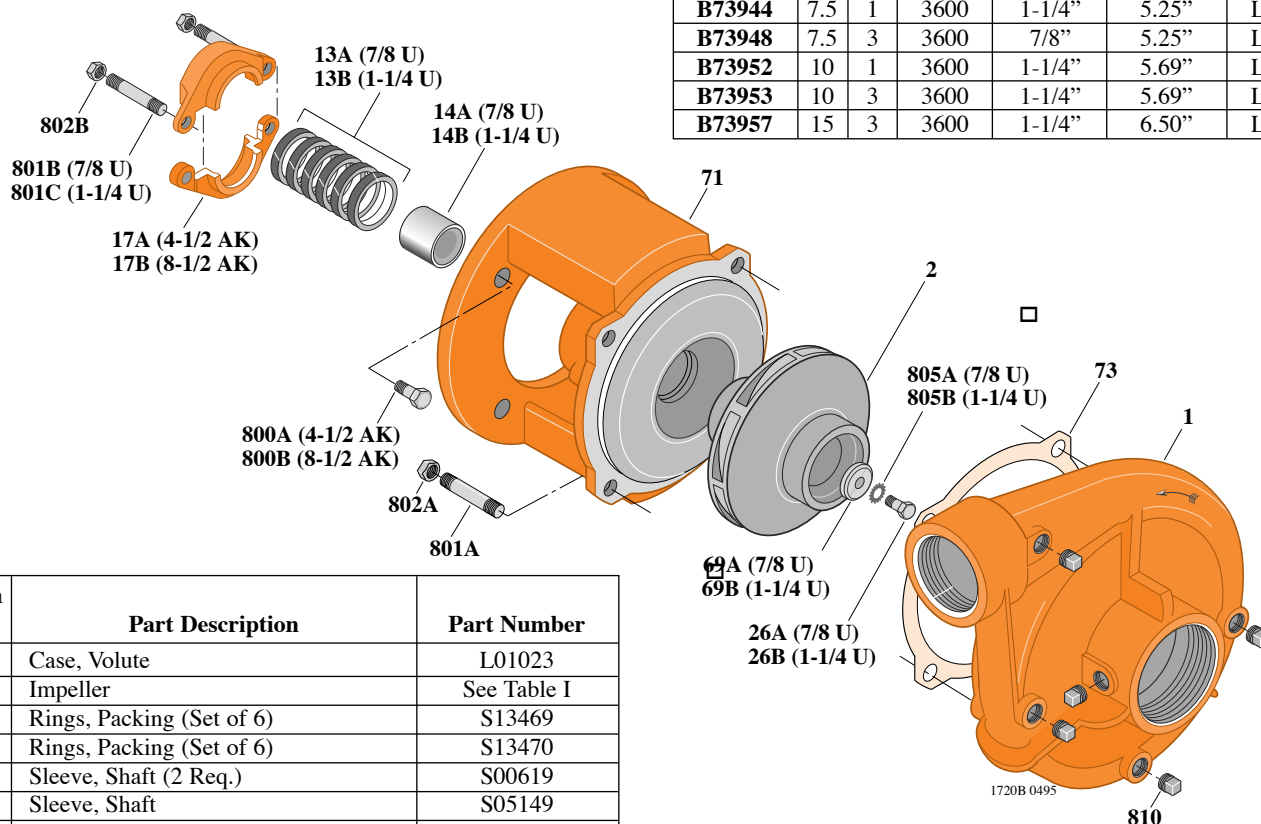
B2-1/2TPM

Threaded Case (NPT)

Packing Construction

TABLE I

| B/M No. | HP | PH | RPM | "U" Dim. | Imp. Dia. | Imp. No. |
|---------|-----|----|------|----------|-----------|----------|
| B73944 | 7.5 | 1 | 3600 | 1-1/4" | 5.25" | L08085 |
| B73948 | 7.5 | 3 | 3600 | 7/8" | 5.25" | L08090 |
| B73952 | 10 | 1 | 3600 | 1-1/4" | 5.69" | L08086 |
| B73953 | 10 | 3 | 3600 | 1-1/4" | 5.69" | L08086 |
| B73957 | 15 | 3 | 3600 | 1-1/4" | 6.50" | L08087 |



| Item No. | Part Description | Part Number |
|----------|------------------------------------|--------------|
| 1 | Case, Volute | L01023 |
| 2 | Impeller | See Table I |
| 13A | Rings, Packing (Set of 6) | S13469 |
| 13B | Rings, Packing (Set of 6) | S13470 |
| 14A | Sleeve, Shaft (2 Req.) | S00619 |
| 14B | Sleeve, Shaft | S05149 |
| 17A | Gland, Packing | B82469 |
| 17B | Gland, Packing | B82470 |
| 26A | Screw, Impeller 3/8 - 16 x 1" | S23566 |
| 26B | Screw, Impeller 1/2 - 13 x 1" | S23619 |
| 32A | Key, 3/16 x 1-1/4" (See Note) | S34383 |
| 32B | Key, 1/4 x 2-1/4" (See Note) | S23677 |
| 69A | Washer, Impeller | S06314 |
| 69B | Washer, Impeller | S06319 |
| 71 | Bracket | See Table II |
| 73 | Gasket, Volute | S04757 |
| 800A | Capscrew, 3/8 - 16 x 7/8" (4 Req.) | S26825 |
| 800B | Capscrew, 1/2 - 13 x 1" (4 Req.) | S26912 |
| 801A | Stud, 1/2 - 13 x 1-1/2" (4 Req.) | S24043 |
| 801B | Stud, 3/8 - 16 x 4" (2 Req.) | S08303 |
| 801C | Stud, 3/8 - 16 x 3-1/2" (2 Req.) | S04441 |
| 802A | Nut, Hex 1/2 - 13 (4 Req.) | S23107 |
| 802B | Nut, Hex 3/8 - 16 (2 Req.) | S23343 |
| 805A | Washer, Lock | S23036 |
| 805B | Washer, Lock | S23038 |
| 810 | Plug, Pipe 1/4" NPT (5 Req.) | S23715 |

TABLE II

| HP | PH | Bracket No. | "AK" Fit | "U" Dim. | Motor Frame |
|-----|----|-------------|----------|----------|-------------|
| 7.5 | 1 | L01951 | 8-1/2" | 1-1/4" | 213JP |
| 7.5 | 3 | L01525 | 4-1/2" | 7/8" | 184JP |
| 10 | 1 | L01951 | 8-1/2" | 1-1/4" | 215JP |
| 10 | 3 | L01951 | 8-1/2" | 1-1/4" | 213JP |
| 15 | 3 | L01951 | 8-1/2" | 1-1/4" | 215JP |

NOTE: For an explanation of the tabulated material found on this page and for impeller key location, refer to *Supplement A* located at the beginning of this section.



TYPE "B" SINGLE STAGE CENTRIFUGAL PUMP Electric Motor Drive

| | |
|-------------------|--------------|
| Section | CC |
| Page | 120.19 |
| Date | May 15, 2009 |
| Supersedes 1/1/04 | |

SILICON BRONZE IMPELLER

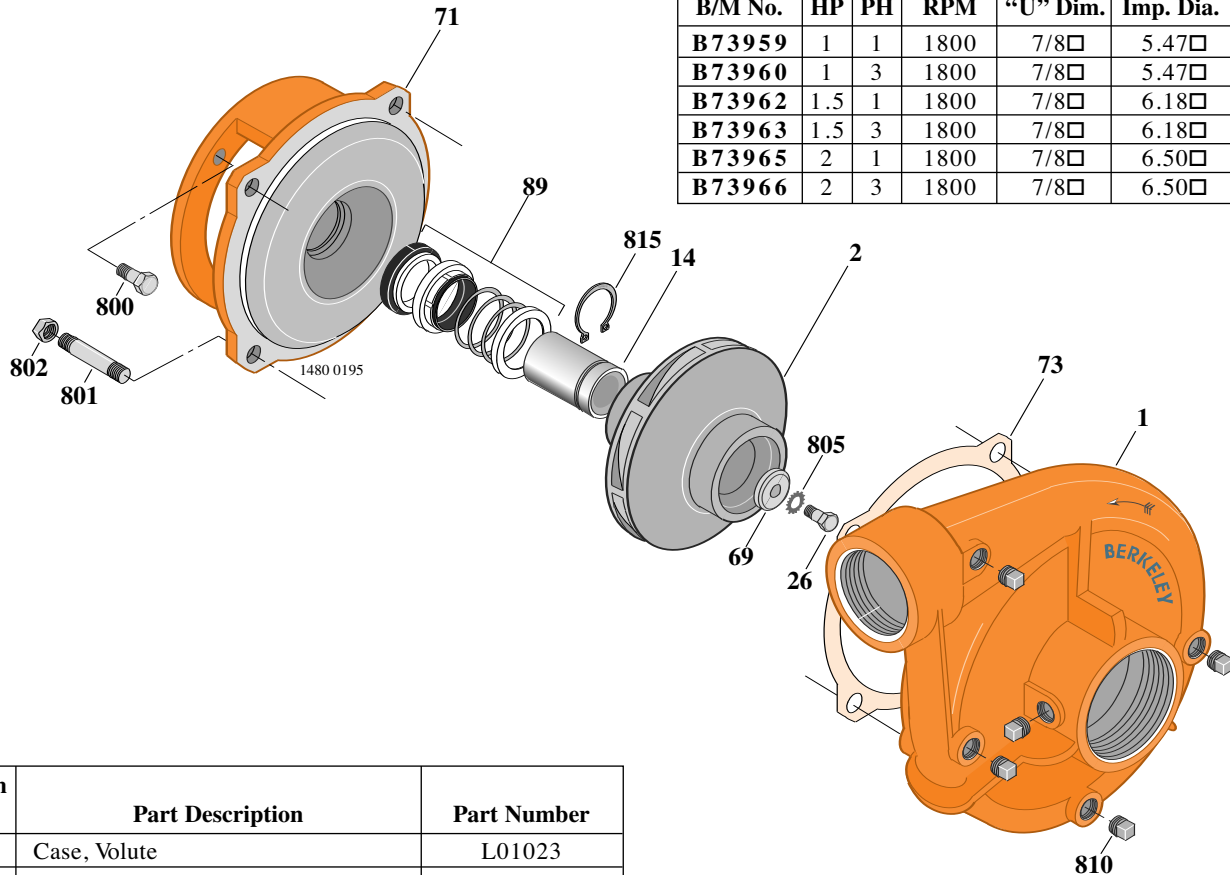
B2-1/2TPMS

Threaded Case (NPT)

Mechanical Shaft Seal Construction

TABLE I

| B/M No. | HP | PH | RPM | "U" Dim. | Imp. Dia. | Imp. No. |
|---------------|-----|----|------|----------|-----------|----------|
| B73959 | 1 | 1 | 1800 | 7/8□ | 5.47□ | L08091 |
| B73960 | 1 | 3 | 1800 | 7/8□ | 5.47□ | L08091 |
| B73962 | 1.5 | 1 | 1800 | 7/8□ | 6.18□ | L08093 |
| B73963 | 1.5 | 3 | 1800 | 7/8□ | 6.18□ | L08093 |
| B73965 | 2 | 1 | 1800 | 7/8□ | 6.50□ | L08094 |
| B73966 | 2 | 3 | 1800 | 7/8□ | 6.50□ | L08094 |



| Item No. | Part Description | Part Number |
|----------|---------------------------------|--------------|
| 1 | Case, Volute | L01023 |
| 2 | Impeller | See Table I |
| 14 | Sleeve, Shaft (See Note 2) | S19310L |
| 26 | Screw, Impeller 3/8 - 16 x 1□ | S23566 |
| 32 | Key, 3/16 x 1-1/4□(See Note 1) | S34383 |
| 69 | Washer, Impeller | S06314 |
| 71 | Bracket | See Table II |
| 73 | Gasket, Volute | S04757 |
| 89 | Seal, Mechanical Shaft | S32014 |
| 800 | Capscrew, 3/8 - 16 x 1□(4 Req.) | S26826 |
| 801 | Stud, 1/2 - 13 x 1-1/2□(4 Req.) | S24043 |
| 802 | Nut, 1/2 - 13 (4 Req.) | S23107 |
| 805 | Washer, Lock | S23036 |
| 810 | Plug, Pipe 1/4□NPT (5 Req.) | S23715 |
| 815 | Ring, Retaining | S11207 |
| □ | Plug, Pipe 1/8□NPT (In Bracket) | S23714 |

□Not illustrated.

TABLE II

| HP | PH | Bracket No. | "AK" Fit | "U" Dim. | Motor Frame |
|-----|----|-------------|----------|----------|-------------|
| 1 | 1 | L05329 | 4-1/2□ | 7/8□ | 143JM |
| 1 | 3 | L05329 | 4-1/2□ | 7/8□ | 143JM |
| 1.5 | 1 | L05329 | 4-1/2□ | 7/8□ | 145JM |
| 1.5 | 3 | L05329 | 4-1/2□ | 7/8□ | 145JM |
| 2 | 1 | L05329 | 4-1/2□ | 7/8□ | 182JM |
| 2 | 3 | L05329 | 4-1/2□ | 7/8□ | 145JM |

NOTE 1: For an explanation of the tabulated material found on this page and for impeller key location, refer to **Supplement A** located at the beginning of this section.

NOTE 2: Sleeve replacement kit available. Berkeley part number B85681 includes the shaft sleeve, adhesive compound and instruction sheet.

NOTE 3: For seal flush line details, see **Supplement D**.



TYPE "B" SINGLE STAGE CENTRIFUGAL PUMP Electric Motor Drive

| | |
|-------------------|--------------|
| Section | CC |
| Page | 120.20 |
| Date | May 15, 2009 |
| Supersedes 1/1/04 | |

SILICON BRONZE IMPELLER

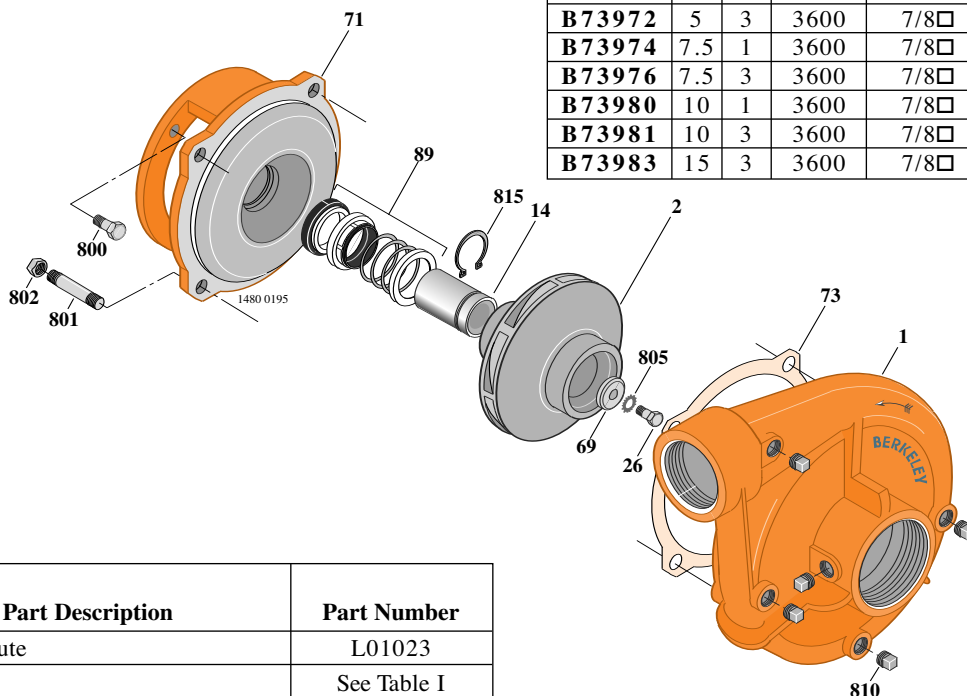
B2-1/2TPMS

Threaded Case (NPT)

Mechanical Shaft Seal Construction

TABLE I

| B/M No. | HP | PH | RPM | "U" Dim. | Imp. Dia. | Imp. No. |
|---------------|-----|----|------|----------|-----------|----------|
| B73968 | 3 | 1 | 3600 | 7/8□ | 4.00□ | L08088 |
| B73969 | 3 | 3 | 3600 | 7/8□ | 4.00□ | L08088 |
| B73971 | 5 | 1 | 3600 | 7/8□ | 4.69□ | L08089 |
| B73972 | 5 | 3 | 3600 | 7/8□ | 4.69□ | L08089 |
| B73974 | 7.5 | 1 | 3600 | 7/8□ | 5.25□ | L08090 |
| B73976 | 7.5 | 3 | 3600 | 7/8□ | 5.25□ | L08090 |
| B73980 | 10 | 1 | 3600 | 7/8□ | 5.69□ | L08092 |
| B73981 | 10 | 3 | 3600 | 7/8□ | 5.69□ | L08092 |
| B73983 | 15 | 3 | 3600 | 7/8□ | 6.50□ | L08094 |



| Item No. | Part Description | Part Number |
|----------|---|--------------|
| 1 | Case, Volute | L01023 |
| 2 | Impeller | See Table I |
| 14 | Sleeve, Shaft (See Note 2) | S19310L |
| 26 | Screw, Impeller 3/8 - 16 x 1□ | S23566 |
| 32 | Key, 3/16 x 1-1/4□(See Note 1) | S34383 |
| 69 | Washer, Impeller | S06314 |
| 71 | Bracket | See Table II |
| 73 | Gasket, Volute | S04757 |
| 89 | Seal, Mechanical Shaft | S32014 |
| 800 | Capscrew, 3/8 - 16 x 1□(4 Req.) (For 4-1/2 AK) | S26826 |
| 800 | Capscrew, 1/2 - 13 x 1□(4 Req.) (For 8-1/2 AK) | S26912 |
| 801 | Stud, 1/2 - 13 x 1-1/2□(4 Req.) | S24043 |
| 802 | Nut, 1/2 - 13 (4 Req.) | S23107 |
| 805 | Washer, Lock | S23036 |
| 810 | Plug, Pipe 1/4□NPT (5 Req.) | S23715 |
| 815 | Ring, Retaining | S11207 |
| □ | Plug, Pipe 1/8□NPT (In Bracket) | S23714 |

□Not illustrated.

TABLE II

| HP | PH | Bracket No. | "AK" Fit | "U" Dim. | Motor Frame |
|-----|----|-------------|----------|----------|-------------|
| 3 | 1 | L05329 | 4-1/2□ | 7/8□ | 182JM |
| 3 | 3 | L05329 | 4-1/2□ | 7/8□ | 145JM |
| 5 | 1 | L05329 | 4-1/2□ | 7/8□ | 184JM |
| 5 | 3 | L05329 | 4-1/2□ | 7/8□ | 182JM |
| 7.5 | 1 | L05328 | 8-1/2□ | 7/8□ | 213JM |
| 7.5 | 3 | L05329 | 4-1/2□ | 7/8□ | 184JM |
| 10 | 1 | L05328 | 8-1/2□ | 7/8□ | 215JM |
| 10 | 3 | L05328 | 8-1/2□ | 7/8□ | 213JM |
| 15 | 3 | L05328 | 8-1/2□ | 7/8□ | 215JM |

NOTE 1: For an explanation of the tabulated material found on this page and for impeller key location, refer to **Supplement A** located at the beginning of this section.

NOTE 2: Sleeve replacement kit available. Berkeley part number B85681 includes the shaft sleeve, adhesive compound and instruction sheet.

NOTE 3: For seal flush line details, see **Supplement D**.



Type "B" Single Stage Centrifugal Pump Electric Motor Drive

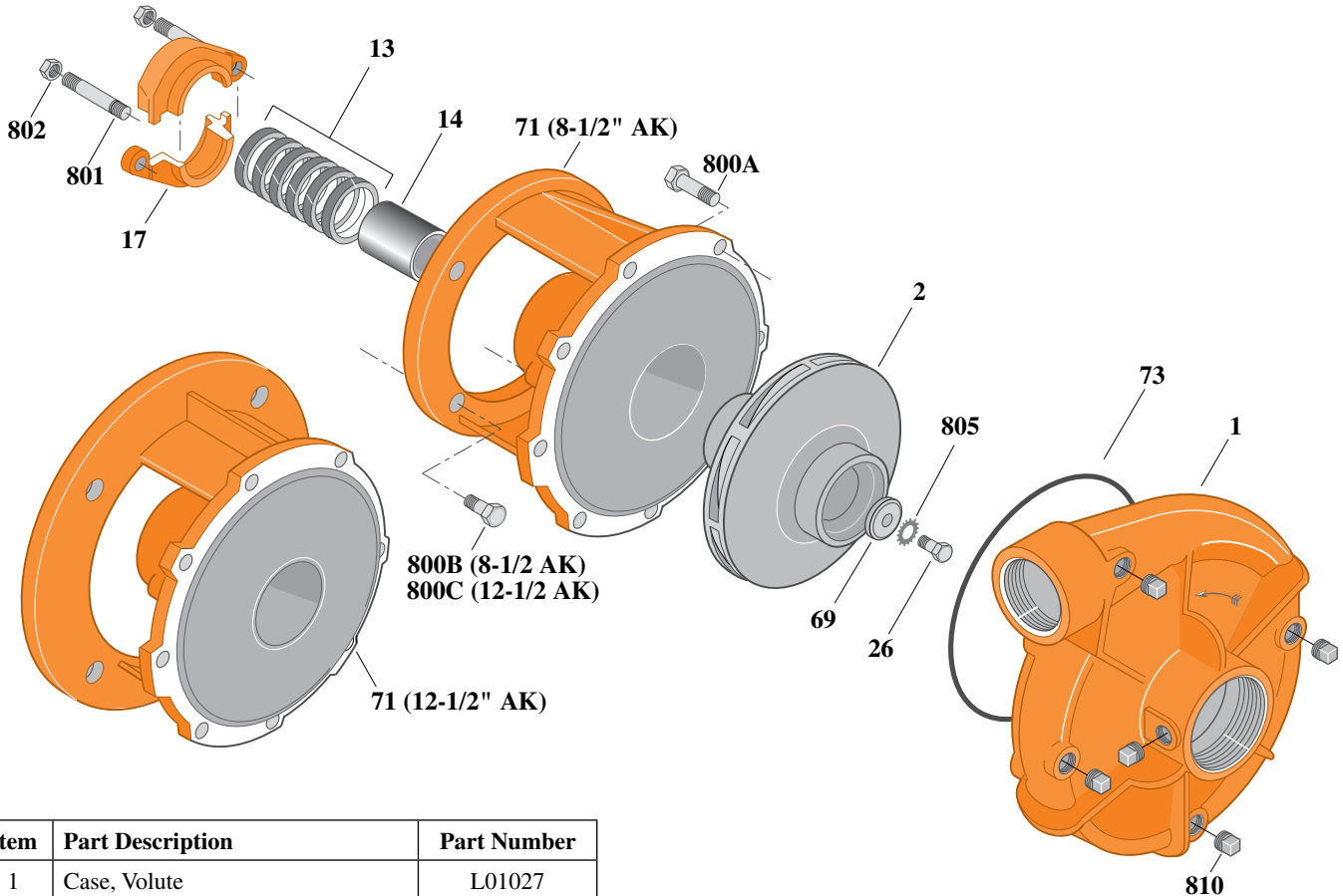
| | |
|-------------------|--------------|
| Section | CC |
| Page | 130.1 |
| Date | July 1, 2011 |
| Supersedes 1/1/04 | |

CAST IRON IMPELLER

B2-1/2ZPL

Threaded Case (NPT)

Packing Construction



| Item | Part Description | Part Number |
|------|--------------------------------------|--------------|
| 1 | Case, Volute | L01027 |
| 2 | Impeller | See Table I |
| 13 | Rings, Packing (Set of 6) | S13470 |
| 14 | Sleeve, Shaft | S05149L |
| 17 | Gland, Packing | B82470 |
| 26 | Screw, Impeller 1/2 - 13 x 1" | S23619 |
| 32 | Key, 1/4 x 2-1/4" (See Note 1) | S23677 |
| 69 | Washer, Impeller | S06319 |
| 71 | Bracket | See Table II |
| 73 | O-Ring (See Note 2) | M14943 |
| 800A | Capscrew, 3/8 - 16 x 7/8" (8 Req.) | S26825 |
| 800B | Capscrew, 1/2 - 13 x 1-1/2" (4 Req.) | S26916 |
| 800C | Capscrew, 5/8 - 11 x 1-1/2" (4 Req.) | S26999 |
| 801 | Stud, 3/8 - 16 x 4" (2 Req.) | S08303 |
| 802 | Nut, Hex 3/8 - 16 (2 Req.) | S23343 |
| 805 | Washer, Lock | S23038 |
| 810 | Plug, Pipe 1/4 NPT (5 Req.) | S23715 |

Table I

| B/M No. | HP | PH | RPM | "U" Dim. | Imp. Dia. | Imp. No. |
|---------|----|----|------|----------|-----------|----------|
| B53800 | 15 | 3 | 3600 | 1-1/4" | 6.94" | M07677 |
| B51626 | 20 | 3 | 3600 | 1-1/4" | 7.69" | M07678 |
| B51627 | 25 | 3 | 3600 | 1-1/4" | 8.44" | M07688 |
| B53801 | 30 | 3 | 3600 | 1-1/4" | 8.88" | M07689 |

Table II

| HP | PH | Bracket No. | "AK" Fit | "U" Dim. | Motor Frame |
|----|----|-------------|----------|----------|-------------|
| 15 | 3 | L03827 | 8-1/2" | 1-1/4" | 215JP |
| 20 | 3 | L03827 | 8-1/2" | 1-1/4" | 254JP |
| 25 | 3 | L03827 | 8-1/2" | 1-1/4" | 256JP |
| 30 | 3 | L01563 | 12-1/2" | 1-1/4" | 284JP |

NOTE 1: For an explanation of the tabulated material found on this page and for impeller key location, refer to *Supplement A* located at the beginning of this section.

NOTE 2: Also accepts gasket S05126 as replacement for o-ring. See *Supplement E* located at the beginning of this section.



Type "B" Single Stage Centrifugal Pump Electric Motor Drive

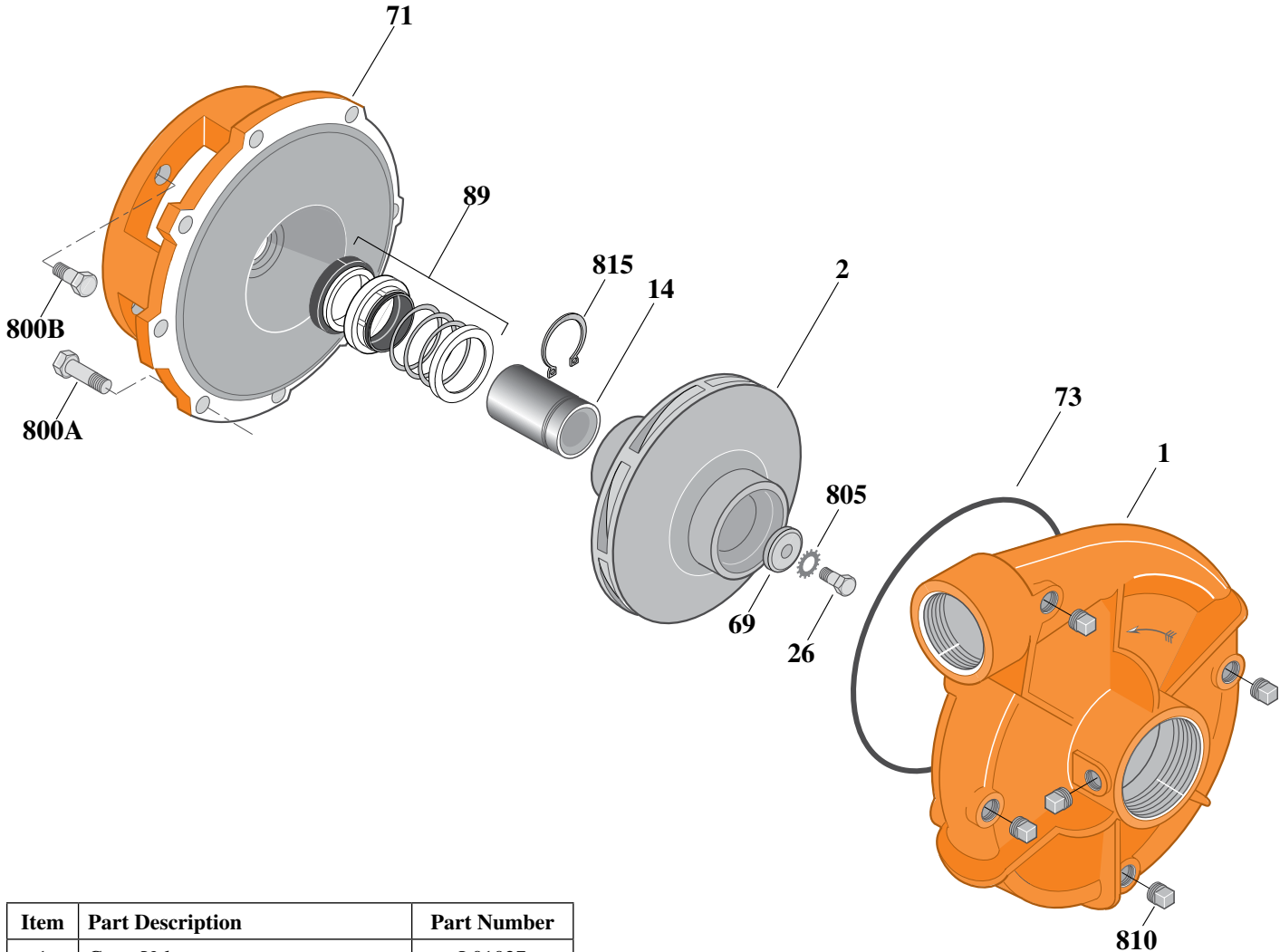
| | |
|-------------------|--------------|
| Section | CC |
| Page | 130.2 |
| Date | July 1, 2011 |
| Supersedes 1/1/04 | |

CAST IRON IMPELLER

B2-1/2ZPLS

Threaded Case (NPT)

Mechanical Shaft Seal Construction



| Item | Part Description | Part Number |
|------|------------------------------------|--------------|
| 1 | Case, Volute | L01027 |
| 2 | Impeller | See Table I |
| 14 | Sleeve, Shaft | S19310L |
| 26 | Screw, Impeller 3/8 - 16 x 1" | S23566 |
| 32 | Key, 3/16 x 1-1/4" (See Note 1) | S34383 |
| 69 | Washer, Impeller | S06314 |
| 71 | Bracket | See Table II |
| 73 | O-Ring (See Note 2) | M14943 |
| 89 | Seal, Mechanical Shaft | S32014 |
| 800A | Capscrew, 3/8 - 16 x 7/8" (8 Req.) | S26825 |
| 800B | Capscrew, 1/2 - 13 x 1" (4 Req.) | S26912 |
| 805 | Washer, Lock | S23036 |
| 810 | Plug, Pipe 1/4 NPT (5 Req.) | S23715 |
| 815 | Ring, Retaining | S11207 |

Table I

| B/M No. | HP | PH | RPM | "U" Dim. | Imp. Dia. | Imp. No. |
|---------|----|----|------|----------|-----------|----------|
| B54576 | 15 | 3 | 3600 | 7/8" | 6.94" | M07763 |

Table II

| HP | PH | Bracket No. | "AK" Fit | "U" Dim. | Motor Frame |
|----|----|-------------|----------|----------|-------------|
| 15 | 3 | L05331 | 8-1/2" | 7/8" | 215JM |

NOTE 1: For an explanation of the tabulated material found on this page and for impeller key location, refer to *Supplement A* located at the beginning of this section.

NOTE 2: Also accepts gasket S05126 as replacement for o-ring. See *Supplement E* located at the beginning of this section.



Type "B" Single Stage Centrifugal Pump Electric Motor Drive

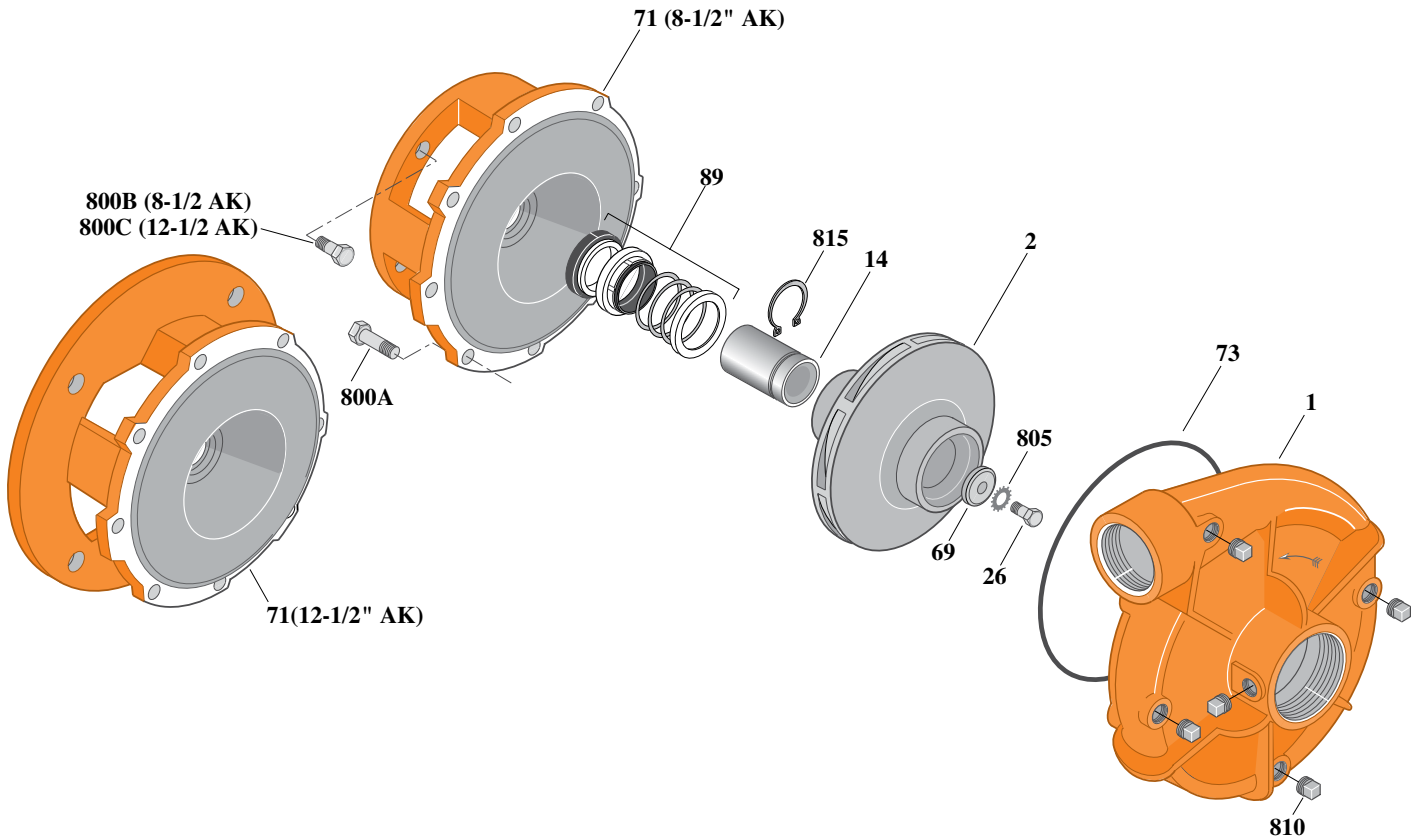
| | |
|-------------------|--------------|
| Section | CC |
| Page | 130.3 |
| Date | July 1, 2011 |
| Supersedes 1/1/04 | |

CAST IRON IMPELLER

B2-1/2ZPLS

Threaded Case (NPT)

Mechanical Shaft Seal Construction



| Item | Part Description | Part Number |
|------|------------------------------------|--------------|
| 1 | Case, Volute | L01027 |
| 2 | Impeller | See Table I |
| 14 | Sleeve, Shaft | S18869L |
| 26 | Screw, Impeller 1/2 - 13 x 1" | S23619 |
| 32 | Key, 1/4 x 2-1/4" (See Note 1) | S23677 |
| 69 | Washer, Impeller | S06319 |
| 71 | Bracket | See Table II |
| 73 | O-Ring (See Note 2) | M14943 |
| 89 | Seal, Mechanical Shaft | S32015 |
| 800A | Capscrew, 3/8 - 16 x 7/8" (8 Req.) | S26825 |
| 800B | Capscrew, 1/2 - 13 x 1" (4 Req.) | S26912 |
| 805 | Washer, Lock | S23038 |
| 810 | Plug, Pipe 1/4 NPT (5 Req.) | S23715 |
| 815 | Ring, Retaining | S16767 |

Table I

| B/M No. | HP | PH | RPM | "U" Dim. | Imp. Dia. | Imp. No. |
|---------|----|----|------|----------|-----------|----------|
| B54092 | 20 | 3 | 3600 | 1-1/4" | 7.69" | M07678 |
| B54093 | 25 | 3 | 3600 | 1-1/4" | 8.44" | M07688 |
| B54094 | 30 | 3 | 3600 | 1-1/4" | 8.88" | M07689 |

Table II

| HP | PH | Bracket No. | "AK" Fit | "U" Dim. | Motor Frame |
|----|----|-------------|----------|----------|-------------|
| 20 | 3 | L04615 | 8-1/2" | 1-1/4" | 254JM |
| 25 | 3 | L04615 | 8-1/2" | 1-1/4" | 256JM |
| 30 | 3 | L04627 | 12-1/2" | 1-1/4" | 284JM |

NOTE 1: For an explanation of the tabulated material found on this page and for impeller key location, refer to *Supplement A* located at the beginning of this section.

NOTE 2: Also accepts gasket S05126 as replacement for o-ring. See *Supplement E* located at the beginning of this section.



Type "B" Single Stage Centrifugal Pump Electric Motor Drive

| | |
|-------------------|--------------|
| Section | CC |
| Page | 130.4 |
| Date | July 1, 2011 |
| Supersedes 1/1/04 | |

SILICON BRONZE IMPELLERB2-1/2ZPL

Threaded Case (NPT)

Packing Construction

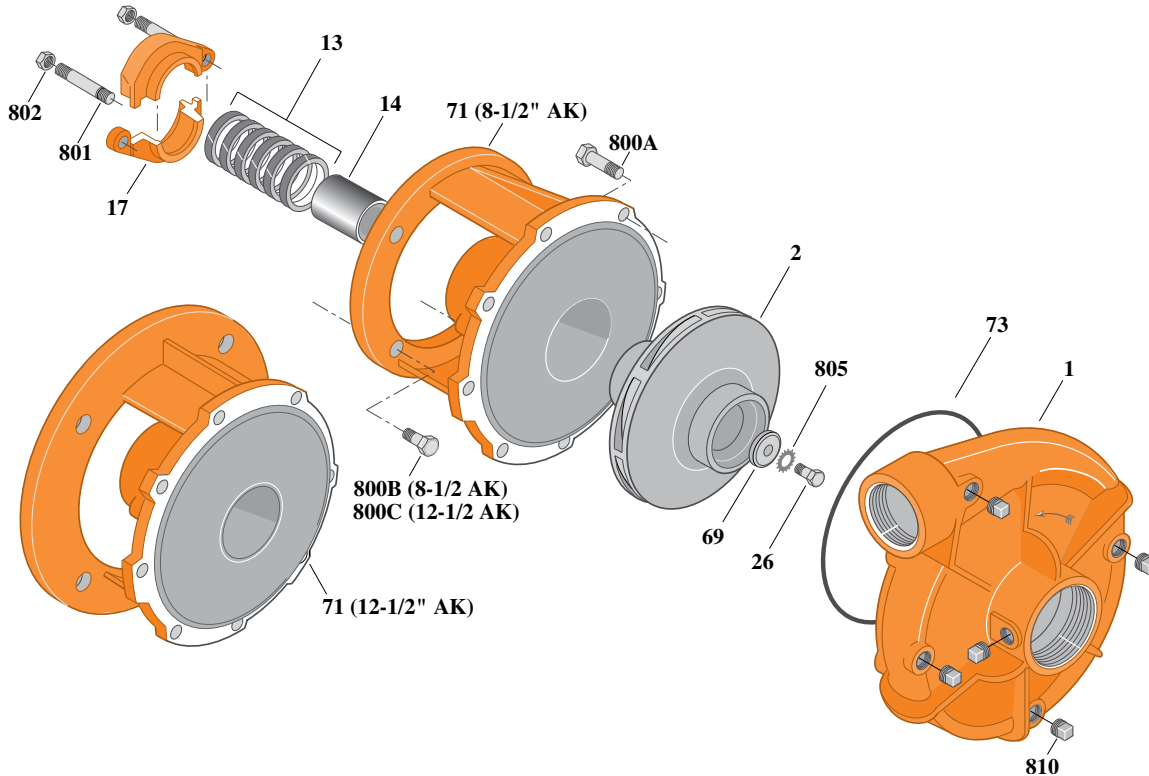


Table I

| B/M No. | HP | PH | RPM | "U" Dim. | Imp. Dia. | Imp. No. |
|---------|----|----|------|----------|-----------|----------|
| B66536 | 15 | 3 | 3600 | 1-1/4" | 6.94" | L06639 |
| B66536S | 15 | 3 | 3600 | 1-1/4" | 6.94" | H05469 |
| B66537 | 20 | 3 | 3600 | 1-1/4" | 7.69" | L06640 |
| B66537S | 20 | 3 | 3600 | 1-1/4" | 7.69" | H05470 |
| B66539 | 25 | 3 | 3600 | 1-1/4" | 8.44" | L06644 |
| B66539S | 25 | 3 | 3600 | 1-1/4" | 8.44" | H05471 |
| B66541 | 30 | 3 | 3600 | 1-1/4" | 8.88" | L06645 |
| B66541S | 30 | 3 | 3600 | 1-1/4" | 8.88" | H05472 |

Table II

| HP | PH | Bracket No. | "AK" Fit | "U" Dim. | Motor Frame |
|----|----|-------------|----------|----------|-------------|
| 15 | 3 | L03827 | 8-1/2" | 1-1/4" | 215JP |
| 20 | 3 | L03827 | 8-1/2" | 1-1/4" | 254JP |
| 25 | 3 | L03827 | 8-1/2" | 1-1/4" | 256JP |
| 30 | 3 | L01563 | 12-1/2" | 1-1/4" | 284JP |

| Item | Part Description | Part Number |
|------|--------------------------------------|--------------|
| 1 | Case, Volute | L01027 |
| 2 | Impeller | See Table I |
| 13 | Rings, Packing (Set of 6) | S13470 |
| 14 | Sleeve, Shaft | S05149L |
| 17 | Gland, Packing | B82470 |
| 26 | Screw, Impeller 1/2 - 13 x 1" | S23619 |
| 32 | Key, 1/4 x 2-1/4" (See Note 1) | S23677 |
| 69 | Washer, Impeller | S06319 |
| 71 | Bracket | See Table II |
| 73 | O-Ring (See Note 2) | M14943 |
| 800A | Capscrew, 3/8 - 16 x 7/8" (8 Req.) | S26825 |
| 800B | Capscrew, 1/2 - 13 x 1-1/2" (4 Req.) | S26916 |
| 800C | Capscrew, 5/8 - 11 x 1-1/2" (4 Req.) | S26999 |
| 801 | Stud, 3/8 - 16 x 4" (2 Req.) | S08303 |
| 802 | Nut, Hex 3/8 - 16 (2 Req.) | S23343 |
| 805 | Washer, Lock | S23038 |
| 810 | Plug, Pipe 1/4 NPT (5 Req.) | S23715 |

NOTE 1: For an explanation of the tabulated material found on this page and for impeller key location, refer to *Supplement A* located at the beginning of this section.

NOTE 2: Also accepts gasket S05126 as replacement for o-ring. See *Supplement E* located at the beginning of this section.



Type "B" Single Stage Centrifugal Pump Electric Motor Drive

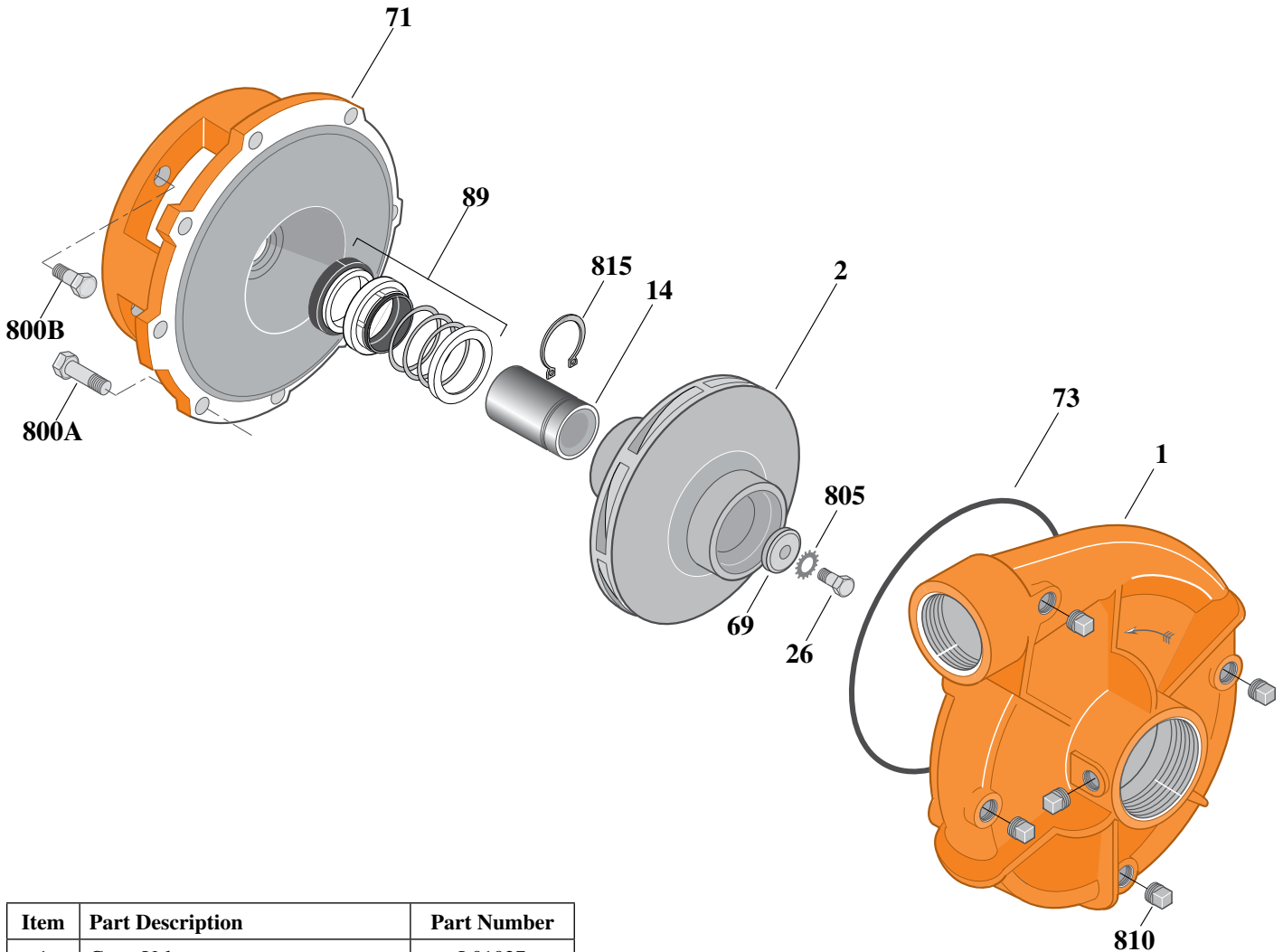
| | |
|-------------------|--------------|
| Section | CC |
| Page | 130.5 |
| Date | July 1, 2011 |
| Supersedes 1/1/04 | |

SILICON BRONZE IMPELLER

B2-1/2ZPLS

Threaded Case (NPT)

Mechanical Shaft Seal Construction



| Item | Part Description | Part Number |
|------|------------------------------------|--------------|
| 1 | Case, Volute | L01027 |
| 2 | Impeller | See Table I |
| 14 | Sleeve, Shaft | S19310L |
| 26 | Screw, Impeller 3/8 - 16 x 1" | S23566 |
| 32 | Key, 3/16 x 1-1/4" (See Note 1) | S34383 |
| 69 | Washer, Impeller | S06314 |
| 71 | Bracket | See Table II |
| 73 | O-Ring (See Note 2) | M14943 |
| 89 | Seal, Mechanical Shaft | S32014 |
| 800A | Capscrew, 3/8 - 16 x 7/8" (8 Req.) | S26825 |
| 800B | Capscrew, 1/2 - 13 x 1" (4 Req.) | S26912 |
| 805 | Washer, Lock | S23036 |
| 810 | Plug, Pipe 1/4 NPT (5 Req.) | S23715 |
| 815 | Ring, Retaining | S11207 |

Table I

| B/M No. | HP | PH | RPM | "U" Dim. | Imp. Dia. | Imp. No. |
|---------|--|----|------|----------|-----------|----------|
| B66837 | <i>No Longer Available. See Below For Current Model.</i> | | | | | |
| B66837S | 15 | 3 | 3600 | 7/8" | 6.94" | H05469 |

Table II

| HP | PH | Bracket No. | "AK" Fit | "U" Dim. | Motor Frame |
|----|----|-------------|----------|----------|-------------|
| 15 | 3 | L05331 | 8-1/2" | 7/8" | 215JM |

NOTE 1: For an explanation of the tabulated material found on this page and for impeller key location, refer to *Supplement A* located at the beginning of this section.

NOTE 2: Also accepts gasket S05126 as replacement for o-ring. See *Supplement E* located at the beginning of this section.



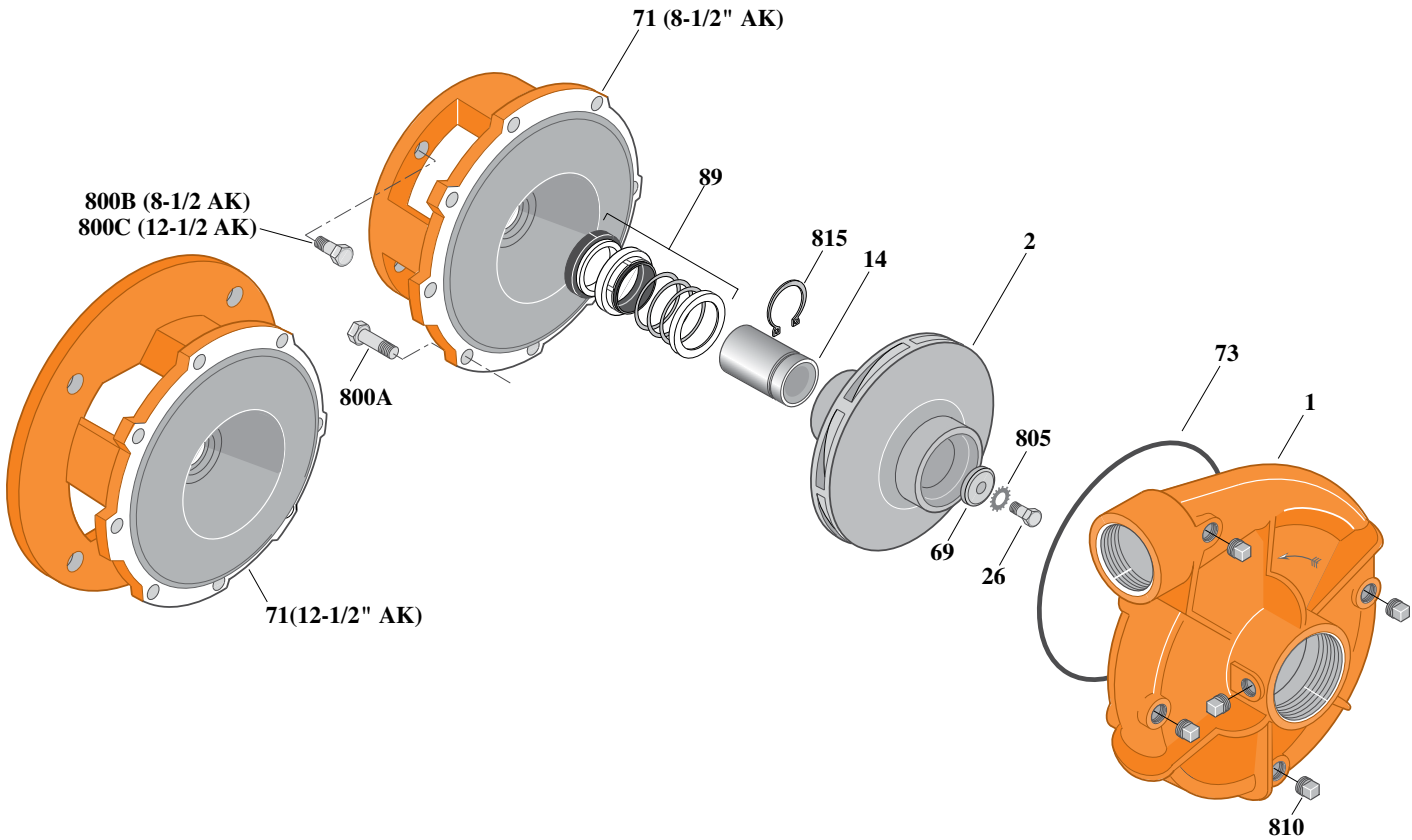
Type "B" Single Stage Centrifugal Pump Electric Motor Drive

| | |
|-------------------|--------------|
| Section | CC |
| Page | 130.6 |
| Date | July 1, 2011 |
| Supersedes 1/1/04 | |

SILICON BRONZE IMPELLERB2-1/2ZPLS

Threaded Case (NPT)

Mechanical Shaft Seal Construction



| Item | Part Description | Part Number |
|------|------------------------------------|--------------|
| 1 | Case, Volute | L01027 |
| 2 | Impeller | See Table I |
| 14 | Sleeve, Shaft | S18869L |
| 26 | Screw, Impeller 1/2 - 13 x 1" | S23619 |
| 32 | Key, 1/4 x 2-1/4" (See Note 1) | S23677 |
| 69 | Washer, Impeller | S06319 |
| 71 | Bracket | See Table II |
| 73 | O-Ring (See Note 2) | M14943 |
| 89 | Seal, Mechanical Shaft | S32015 |
| 800A | Capscrew, 3/8 - 16 x 7/8" (8 Req.) | S26825 |
| 800B | Capscrew, 1/2 - 13 x 1" (4 Req.) | S26912 |
| 805 | Washer, Lock | S23038 |
| 810 | Plug, Pipe 1/4 NPT (5 Req.) | S23715 |
| 815 | Ring, Retaining | S16767 |

Table I

| B/M No. | HP | PH | RPM | "U" Dim. | Imp. Dia. | Imp. No. |
|---------|--|----|------|----------|-----------|----------|
| B66538S | 20 | 3 | 3600 | 1-1/4" | 7.69" | H05470 |
| B66540S | 25 | 3 | 3600 | 1-1/4" | 8.44" | H05471 |
| B66542S | 30 | 3 | 3600 | 1-1/4" | 8.88" | H05472 |
| B66538 | <i>These B/M Numbers Are No Longer Available. See Above For Current Models</i> | | | | | |
| B66540 | | | | | | |
| B66542 | | | | | | |

Table II

| HP | PH | Bracket No. | "AK" Fit | "U" Dim. | Motor Frame |
|----|----|-------------|----------|----------|-------------|
| 20 | 3 | L04615 | 8-1/2" | 1-1/4" | 254JM |
| 25 | 3 | L04615 | 8-1/2" | 1-1/4" | 256JM |
| 30 | 3 | L04627 | 12-1/2" | 1-1/4" | 284JM |

NOTE 1: For an explanation of the tabulated material found on this page and for impeller key location, refer to **Supplement A** located at the beginning of this section.

NOTE 2: Also accepts gasket S05126 as replacement for o-ring. See **Supplement E** located at the beginning of this section.



TYPE "B" SINGLE STAGE CENTRIFUGAL PUMP Electric Motor Drive

| | |
|----------------|-------------------|
| Section | CC |
| Page | 130.7 |
| Date | September 1, 1997 |
| Supersedes/New | |

SILICON BRONZE IMPELLER

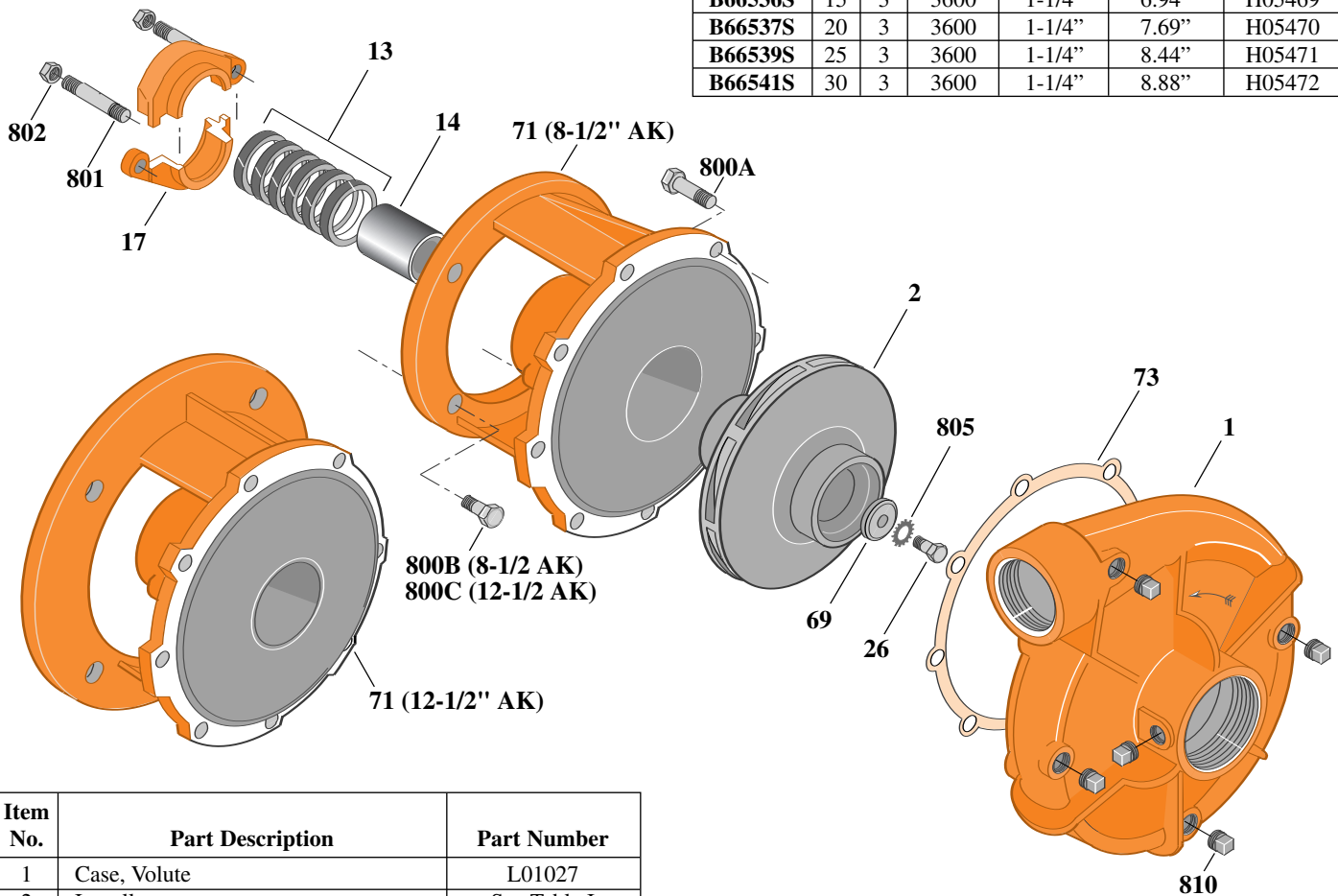
B2-1/2ZPL

Threaded Case (NPT)

Packing Construction

TABLE I

| B/M No. | HP | PH | RPM | "U" Dim. | Imp. Dia. | Imp. No. |
|----------------|----|----|------|----------|-----------|----------|
| B66536S | 15 | 3 | 3600 | 1-1/4" | 6.94" | H05469 |
| B66537S | 20 | 3 | 3600 | 1-1/4" | 7.69" | H05470 |
| B66539S | 25 | 3 | 3600 | 1-1/4" | 8.44" | H05471 |
| B66541S | 30 | 3 | 3600 | 1-1/4" | 8.88" | H05472 |



| Item No. | Part Description | Part Number |
|----------|--------------------------------------|--------------|
| 1 | Case, Volute | L01027 |
| 2 | Impeller | See Table I |
| 13 | Rings, Packing (Set of 6) | S13470 |
| 14 | Sleeve, Shaft | S05149 |
| 17 | Gland, Packing | S12034 |
| 26 | Screw, Impeller 1/2 - 13 x 1" | S23619 |
| 32 | Key, 1/4 x 2-1/4" (See Note) | S23677 |
| 69 | Washer, Impeller | S06319 |
| 71 | Bracket | See Table II |
| 73 | Gasket, Volute | S05126 |
| 800A | Capscrew, 3/8 - 16 x 7/8" (8 Req.) | S26825 |
| 800B | Capscrew, 1/2 - 13 x 1-1/2" (4 Req.) | S26916 |
| 800C | Capscrew, 5/8 - 11 x 1-1/2" (4 Req.) | S26999 |
| 801 | Stud, 3/8 - 16 x 4" (2 Req.) | S08303 |
| 802 | Nut, Hex 3/8 - 16 (2 Req.) | S23343 |
| 805 | Washer, Lock | S23038 |
| 810 | Plug, Pipe 1/4" NPT (5 Req.) | S23715 |

TABLE II

| HP | PH | Bracket No. | "AK" Fit | "U" Dim. | Motor Frame |
|----|----|-------------|----------|----------|-------------|
| 15 | 3 | L03827 | 8-1/2" | 1-1/4" | 215JP |
| 20 | 3 | L03827 | 8-1/2" | 1-1/4" | 254JP |
| 25 | 3 | L03827 | 8-1/2" | 1-1/4" | 256JP |
| 30 | 3 | L01563 | 12-1/2" | 1-1/4" | 284JP |

NOTE: For an explanation of the tabulated material found on this page and for impeller key location, refer to *Supplement A* located at the beginning of this section.



TYPE "B" SINGLE STAGE CENTRIFUGAL PUMP Electric Motor Drive

| | |
|----------------|-------------------|
| Section | CC |
| Page | 130.8 |
| Date | September 1, 1997 |
| Supersedes/New | |

SILICON BRONZE IMPELLER

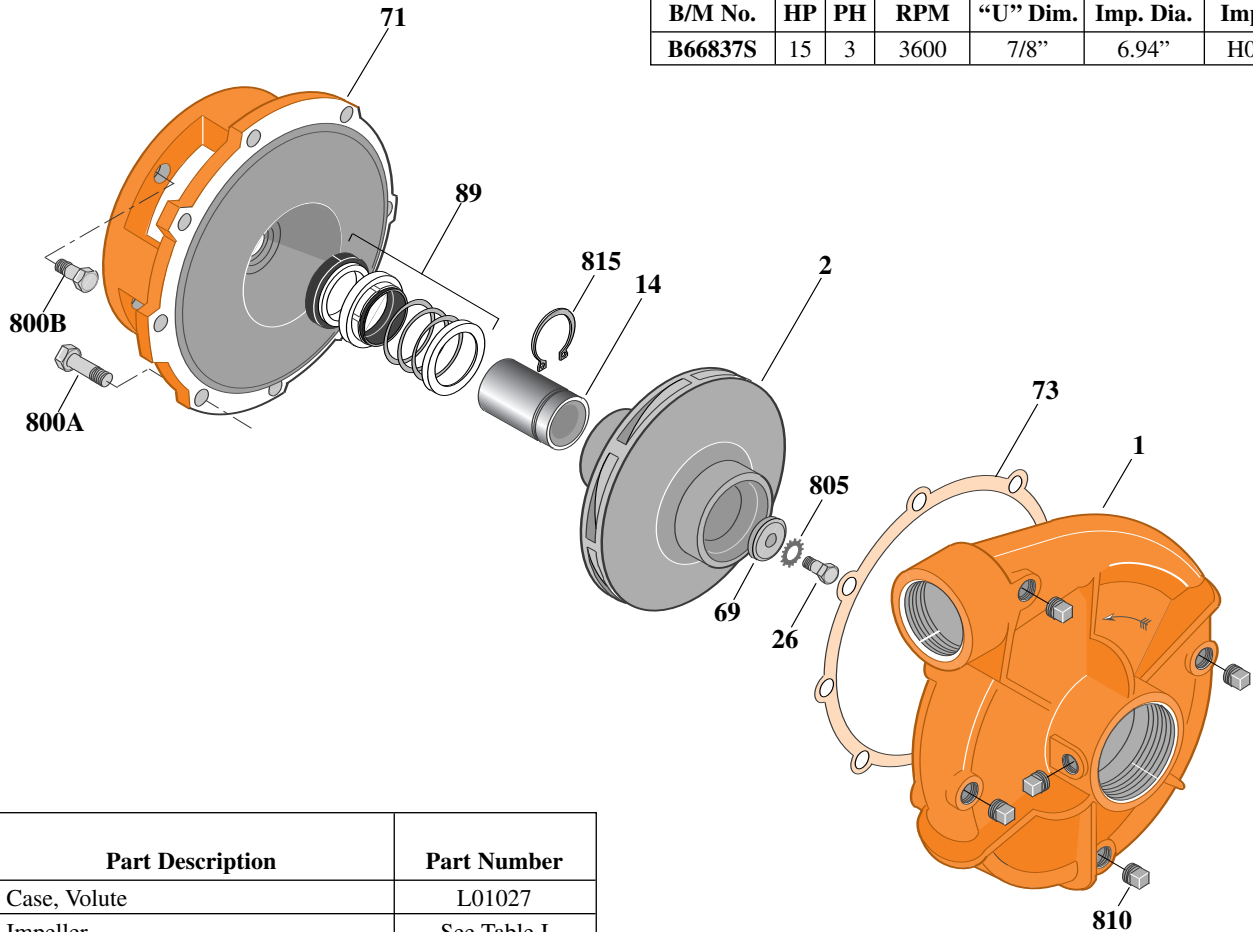
B2-1/2ZPLS

Threaded Case (NPT)

Mechanical Shaft Seal Construction

TABLE I

| B/M No. | HP | PH | RPM | "U" Dim. | Imp. Dia. | Imp. No. |
|---------|----|----|------|----------|-----------|----------|
| B66837S | 15 | 3 | 3600 | 7/8" | 6.94" | H05473 |



| Item No. | Part Description | Part Number |
|----------|------------------------------------|--------------|
| 1 | Case, Volute | L01027 |
| 2 | Impeller | See Table I |
| 14 | Sleeve, Shaft | S19310 |
| 26 | Screw, Impeller 3/8 - 16 x 1" | S23566 |
| 32 | Key, 3/16 x 1-1/4" (See Note) | S34383 |
| 69 | Washer, Impeller | S06314 |
| 71 | Bracket | See Table II |
| 73 | Gasket, Volute | S05126 |
| 89 | Seal, Mechanical Shaft | S32014 |
| 800A | Capscrew, 3/8 - 16 x 7/8" (8 Req.) | S26825 |
| 800B | Capscrew, 1/2 - 13 x 1" (4 Req.) | S26912 |
| 805 | Washer, Lock | S23036 |
| 810 | Plug, Pipe 1/4" NPT (5 Req.) | S23715 |
| 815 | Ring, Retaining | S11207 |
| • | Plug, Pipe 1/8" NPT (In Bracket) | S23714 |

• Not illustrated.

TABLE II

| HP | PH | Bracket No. | "AK" Fit | "U" Dim. | Motor Frame |
|----|----|-------------|----------|----------|-------------|
| 15 | 3 | L05331 | 8-1/2" | 7/8" | 215JM |

NOTE: For an explanation of the tabulated material found on this page and for impeller key location, refer to *Supplement A* located at the beginning of this section.

NOTE: For seal flush line details, see *Supplement D*.



Type "B" Single Stage Centrifugal Pump Electric Motor Drive

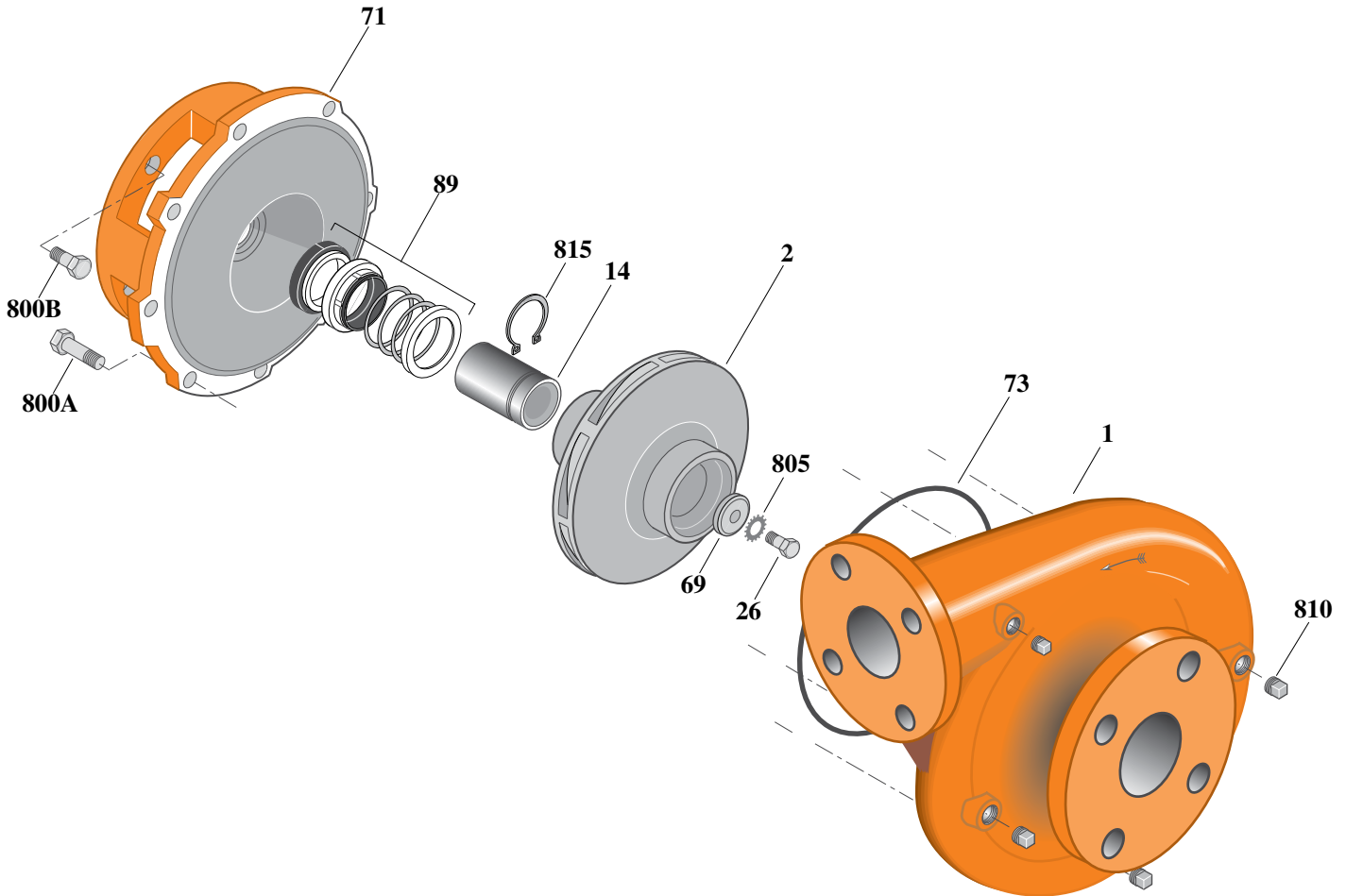
| | |
|-------------------|--------------|
| Section | CC |
| Page | 130.9 |
| Date | July 1, 2011 |
| Supersedes 1/1/04 | |

BRONZE IMPELLER

B2-1/2ZPLS

Flanged Case

Mechanical Shaft Seal Construction



| Item | Part Description | Part Number |
|------|------------------------------------|--------------|
| 1 | Case, Volute | L01027 |
| 2 | Impeller | See Table I |
| 14 | Sleeve, Shaft | S19310L |
| 26 | Screw, Impeller 3/8 - 16 x 1" | S23566 |
| 32 | Key, 3/16 x 1-1/4" (See Note 1) | S34383 |
| 69 | Washer, Impeller | S06314 |
| 71 | Bracket | See Table II |
| 73 | O-Ring (See Note 2) | M14943 |
| 89 | Seal, Mechanical Shaft | S32014 |
| 800A | Capscrew, 3/8 - 16 x 7/8" (8 Req.) | S26825 |
| 800B | Capscrew, 1/2 - 13 x 1" (4 Req.) | S26912 |
| 805 | Washer, Lock | S23036 |
| 810 | Plug, Pipe 1/4 NPT (5 Req.) | S23715 |
| 815 | Ring, Retaining | S11207 |

Table I

| B/M No. | HP | PH | RPM | "U" Dim. | Imp. Dia. | Imp. No. |
|---------|----|----|------|----------|-----------|----------|
| B75189 | 15 | 3 | 3600 | 7/8" | 6.94" | H05469 |

Table II

| HP | PH | Bracket No. | "AK" Fit | "U" Dim. | Motor Frame |
|----|----|-------------|----------|----------|-------------|
| 15 | 3 | L05331 | 8-1/2" | 7/8" | 215JM |

NOTE 1: For an explanation of the tabulated material found on this page and for impeller key location, refer to *Supplement A* located at the beginning of this section.

NOTE 2: Also accepts gasket S05126 as replacement for o-ring. See *Supplement E* located at the beginning of this section.



Type "B" Single Stage Centrifugal Pump Electric Motor Drive

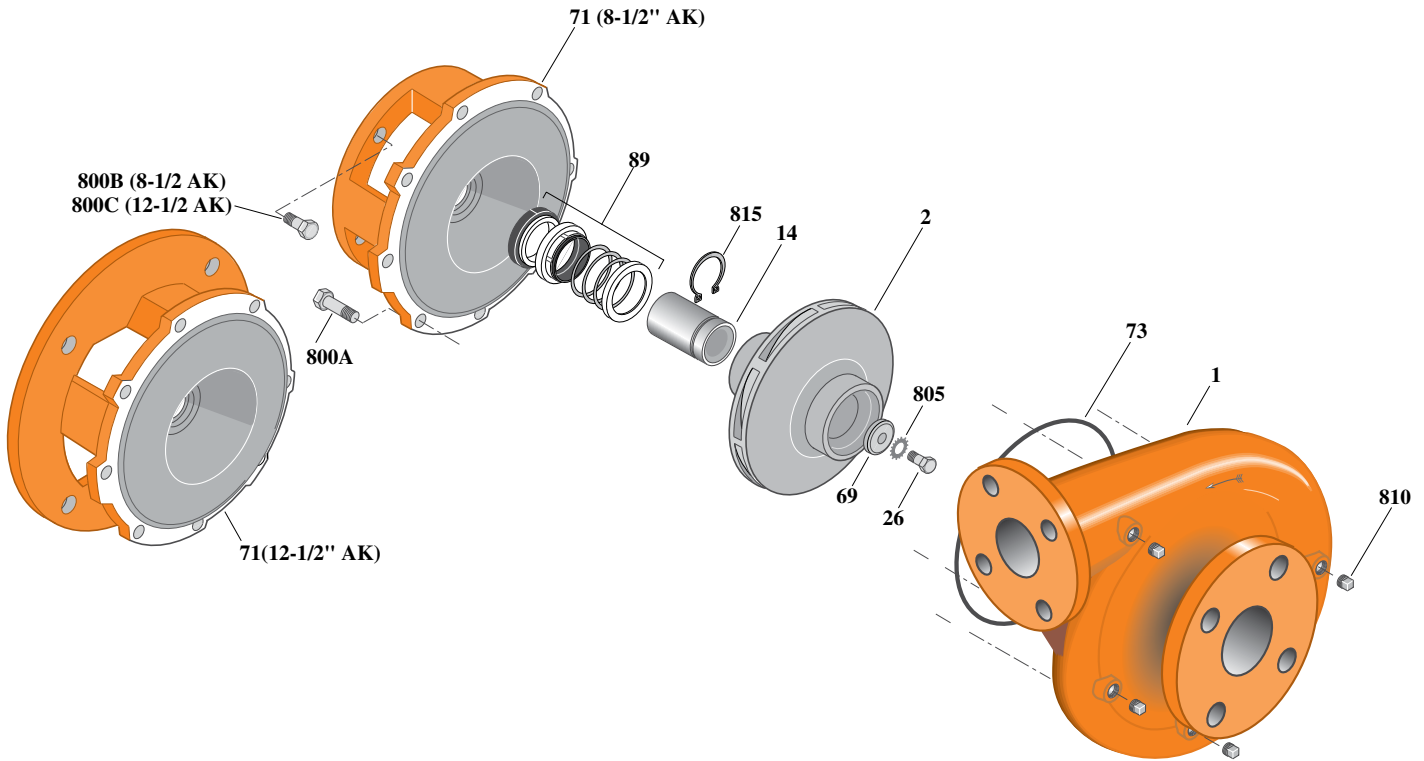
| | |
|-------------------|--------------|
| Section | CC |
| Page | 130.10 |
| Date | July 1, 2011 |
| Supersedes 1/1/04 | |

BRONZE IMPELLER

B2-1/2ZPLS

Flanged Case

Mechanical Shaft Seal Construction



| Item | Part Description | Part Number |
|------|------------------------------------|--------------|
| 1 | Case, Volute | L01027 |
| 2 | Impeller | See Table I |
| 14 | Sleeve, Shaft | S18869L |
| 26 | Screw, Impeller 1/2 - 13 x 1" | S23619 |
| 32 | Key, 1/4 x 2-1/4" (See Note 1) | S23677 |
| 69 | Washer, Impeller | S06319 |
| 71 | Bracket | See Table II |
| 73 | O-Ring (See Note 2) | M14943 |
| 89 | Seal, Mechanical Shaft | S32015 |
| 800A | Capscrew, 3/8 - 16 x 7/8" (8 Req.) | S26825 |
| 800B | Capscrew, 1/2 - 13 x 1" (4 Req.) | S26912 |
| 805 | Washer, Lock | S23038 |
| 810 | Plug, Pipe 1/4 NPT (5 Req.) | S23715 |
| 815 | Ring, Retaining | S16767 |

Table I

| B/M No. | HP | PH | RPM | "U" Dim. | Imp. Dia. | Imp. No. |
|---------|----|----|------|----------|-----------|----------|
| B75190 | 20 | 3 | 3600 | 1-1/4" | 7.69" | H05470 |
| B75191 | 25 | 3 | 3600 | 1-1/4" | 8.44" | H05471 |
| B75192 | 30 | 3 | 3600 | 1-1/4" | 8.88" | H05472 |

Table II

| HP | PH | Bracket No. | "AK" Fit | "U" Dim. | Motor Frame |
|----|----|-------------|----------|----------|-------------|
| 20 | 3 | L04615 | 8-1/2" | 1-1/4" | 254JM |
| 25 | 3 | L04615 | 8-1/2" | 1-1/4" | 256JM |
| 30 | 3 | L04627 | 12-1/2" | 1-1/4" | 284JM |

NOTE 1: For an explanation of the tabulated material found on this page and for impeller key location, refer to **Supplement A** located at the beginning of this section.

NOTE 2: Also accepts gasket S05126 as replacement for o-ring. See **Supplement E** located at the beginning of this section.



Type "B" Single Stage Centrifugal Pump Electric Motor Drive

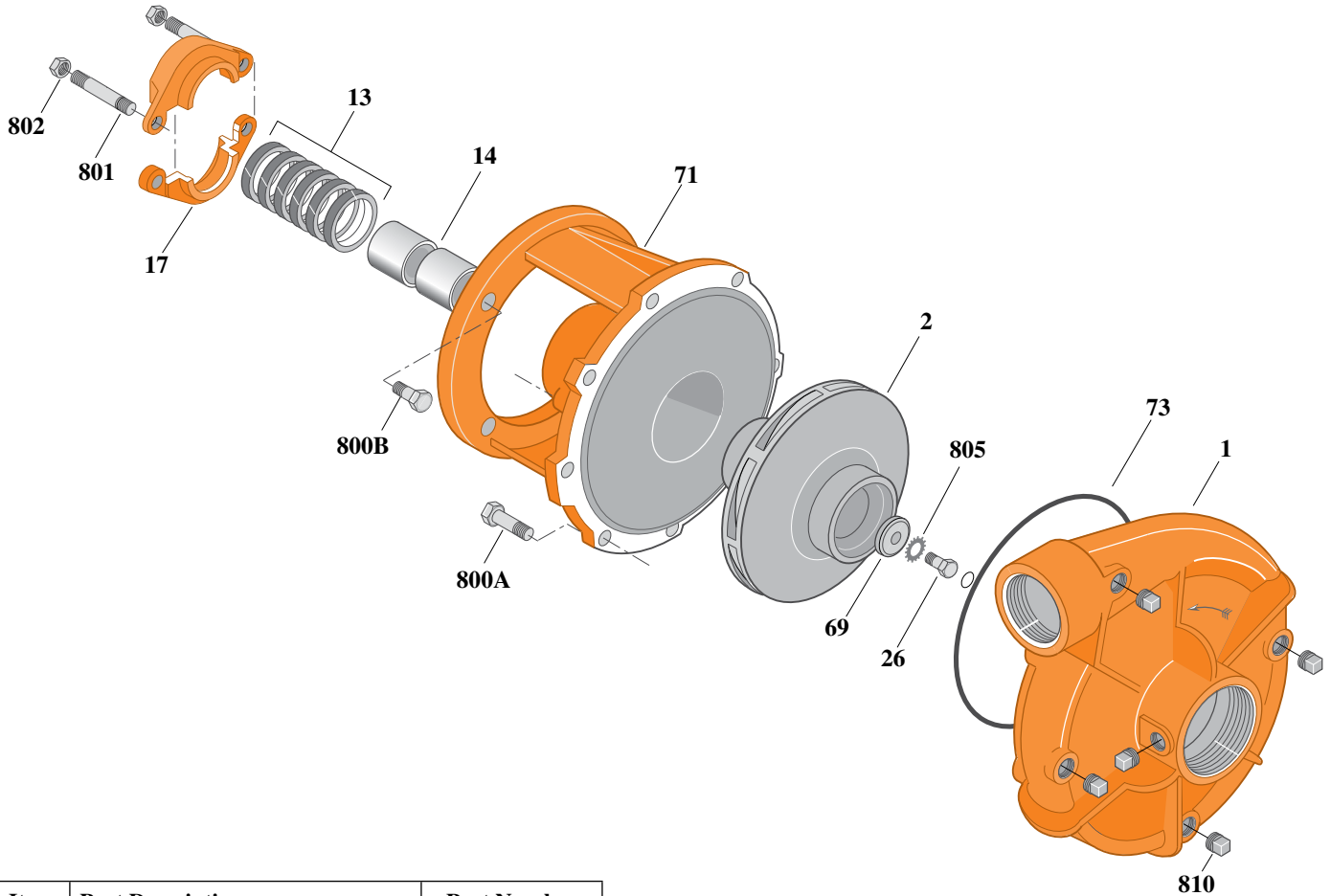
| | |
|-------------------|--------------|
| Section | CC |
| Page | 140.1 |
| Date | July 1, 2011 |
| Supersedes 1/1/04 | |

CAST IRON IMPELLER

B2-1/2ZPM

Threaded Case (NPT)

Packing Construction



| Item | Part Description | Part Number |
|------|------------------------------------|--------------|
| 1 | Case, Volute | L01027 |
| 2 | Impeller | See Table I |
| 13 | Rings, Packing (Set of 7) | S15094 |
| 14 | Sleeve, Shaft (2 Req.) | S00619L |
| 17 | Gland, Packing | B82469 |
| 26 | Screw, Impeller 3/8 - 16 x 1" | S23566 |
| 32 | Key, 3/16 x 1-1/4" (See Note 1) | S34383 |
| 69 | Washer, Impeller | S06314 |
| 71 | Bracket | See Table II |
| 73 | O-Ring (See Note 2) | M14943 |
| 800A | Capscrew, 3/8 - 16 x 7/8" (8 Req.) | S26825 |
| 800B | Capscrew, 3/8 - 16 x 1" (4 Req.) | S26826 |
| 801 | Stud, 3/8 - 16 x 3" (2 Req.) | S04439 |
| 802 | Nut, Hex 3/8 - 16 (2 Req.) | S23343 |
| 805 | Washer, Lock | S23036 |
| 810 | Plug, Pipe 1/4 NPT (5 Req.) | S23715 |

Table I

| B/M No. | HP | PH | RPM | "U" Dim. | Imp. Dia. | Imp. No. |
|---------|----|----|------|----------|-----------|----------|
| B53802 | 2 | 1 | 1800 | 7/8" | 6.18" | L06124 |
| B51686 | 2 | 3 | 1800 | 7/8" | 6.18" | L06124 |
| B53803 | 3 | 1 | 1800 | 7/8" | 7.31" | L06125 |
| B53806 | 3 | 3 | 1800 | 7/8" | 7.31" | L06125 |

Table II

| HP | PH | Bracket No. | "AK" Fit | "U" Dim. | Motor Frame |
|----|----|-------------|----------|----------|-------------|
| 2 | 1 | H00950 | 4-1/2" | 7/8" | 182JP |
| 2 | 3 | H00950 | 4-1/2" | 7/8" | 145JP |
| 3 | 1 | H00950 | 4-1/2" | 7/8" | 184JP |
| 3 | 3 | H00950 | 4-1/2" | 7/8" | 182JP |

NOTE 1: For an explanation of the tabulated material found on this page and for impeller key location, refer to *Supplement A* located at the beginning of this section.

NOTE 2: Also accepts gasket S05126 as replacement for o-ring. See *Supplement E* located at the beginning of this section.



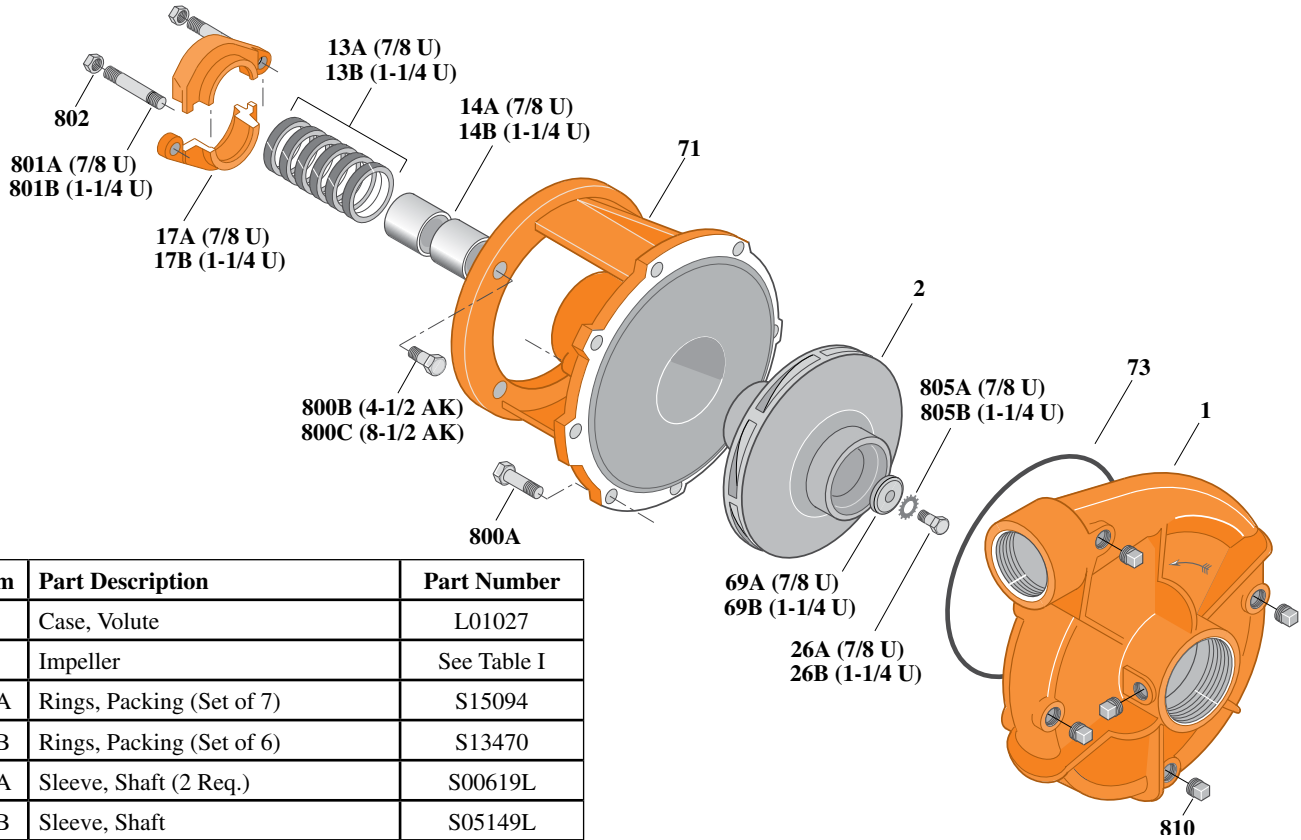
Type "B" Single Stage Centrifugal Pump Electric Motor Drive

| | |
|-------------------|--------------|
| Section | CC |
| Page | 140.2 |
| Date | July 1, 2011 |
| Supersedes 1/1/04 | |

CAST IRON IMPELLERB2-1/2ZPM

Threaded Case (NPT)

Packing Construction



| Item | Part Description | Part Number |
|------|--------------------------------------|--------------|
| 1 | Case, Volute | L01027 |
| 2 | Impeller | See Table I |
| 13A | Rings, Packing (Set of 7) | S15094 |
| 13B | Rings, Packing (Set of 6) | S13470 |
| 14A | Sleeve, Shaft (2 Req.) | S00619L |
| 14B | Sleeve, Shaft | S05149L |
| 17A | Gland, Packing | B82469 |
| 17B | Gland, Packing | B82470 |
| 26A | Screw, Impeller 3/8 - 16 x 1" | S23566 |
| 26B | Screw, Impeller 1/2 - 13 x 1-1/2" | S23623 |
| 32A | Key, 3/16 x 1-1/4" (See Note 1) | S34383 |
| 32B | Key, 1/4 x 2-1/4" (See Note 1) | S23677 |
| 69A | Washer, Impeller | S06314 |
| 69B | Washer, Impeller | S06319 |
| 71 | Bracket | See Table II |
| 73 | O-Ring (See Note 2) | M14943 |
| 800A | Capscrew, 3/8 - 16 x 7/8" (8 Req.) | S26825 |
| 800B | Capscrew, 3/8 - 16 x 1" (4 Req.) | S26826 |
| 800C | Capscrew, 1/2 - 13 x 1-1/2" (4 Req.) | S26916 |
| 801A | Stud, 3/8 - 16 x 3" (2 Req.) | S04439 |
| 801B | Stud, 3/8 - 16 x 4" (2 Req.) | S08303 |
| 802 | Nut, Hex 3/8 - 16 (2 Req.) | S23343 |
| 805A | Washer, Lock | S23036 |
| 805B | Washer, Lock | S23038 |
| 810 | Plug, Pipe 1/4 NPT (5 Req.) | S23715 |

Table I

| B/M No. | HP | PH | RPM | "U" Dim. | Imp. Dia. | Imp. No. |
|---------|-----|----|------|----------|-----------|----------|
| B53804 | 5 | 1 | 1800 | 1-1/4" | 8.38" | L06127 |
| B53807 | 5 | 3 | 1800 | 7/8" | 8.38" | L06126 |
| B53805 | 7.5 | 1 | 1800 | 1-1/4" | 9.00" | L05120 |
| B53808 | 7.5 | 3 | 1800 | 1-1/4" | 9.00" | L05120 |

Table II

| HP | PH | Bracket No. | "AK" Fit | "U" Dim. | Motor Frame |
|-----|----|-------------|----------|----------|-------------|
| 5 | 1 | L03827 | 8-1/2" | 1-1/4" | 213JP |
| 5 | 3 | H00950 | 4-1/2" | 7/8" | 184JP |
| 7.5 | 1 | L03827 | 8-1/2" | 1-1/4" | 215JP |
| 7.5 | 3 | L03827 | 8-1/2" | 1-1/4" | 213JP |

NOTE 1: For an explanation of the tabulated material found on this page and for impeller key location, refer to *Supplement A* located at the beginning of this section.

NOTE 2: Also accepts gasket S05126 as replacement for o-ring. See *Supplement E* located at the beginning of this section.



Type "B" Single Stage Centrifugal Pump Electric Motor Drive

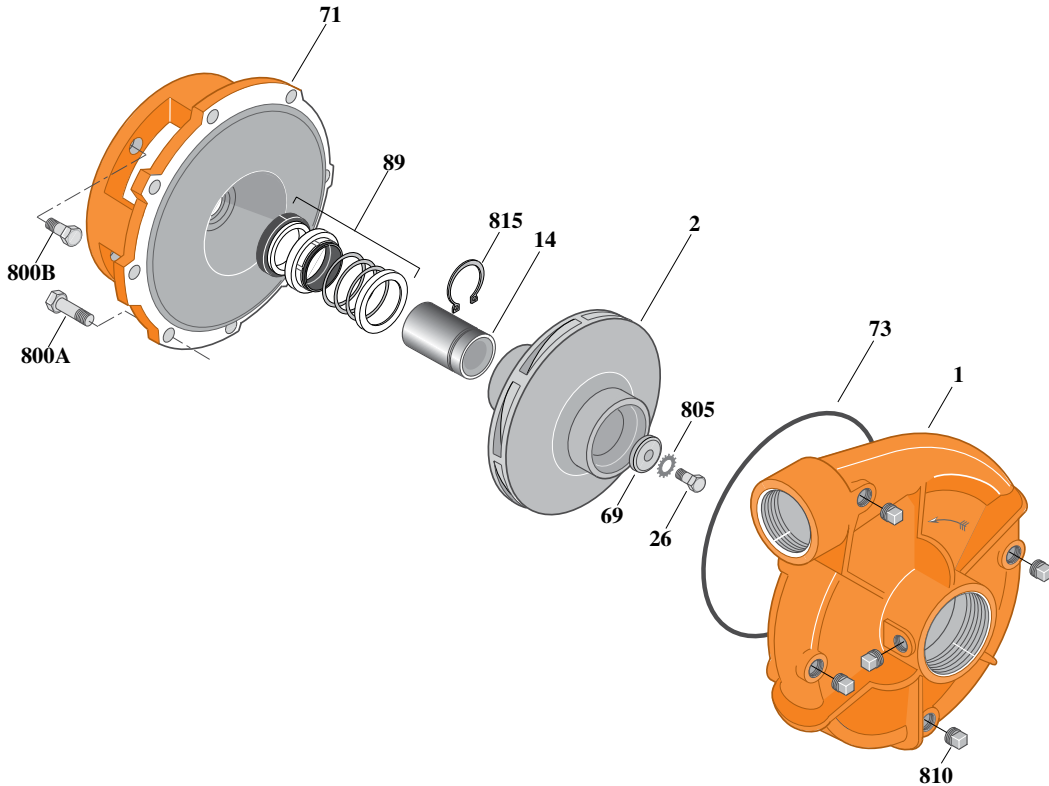
| | |
|-------------------|--------------|
| Section | CC |
| Page | 140.3 |
| Date | July 1, 2011 |
| Supersedes 1/1/04 | |

CAST IRON IMPELLER

B2-1/2ZPMS

Threaded Case (NPT)

Mechanical Shaft Seal Construction



| Item | Part Description | Part Number |
|------|------------------------------------|--------------|
| 1 | Case, Volute | L01027 |
| 2 | Impeller | See Table I |
| 14 | Sleeve, Shaft | S19310L |
| 26 | Screw, Impeller 3/8 - 16 x 1" | S23566 |
| 32 | Key, 3/16 x 1-1/4" (See Note 1) | S34383 |
| 69 | Washer, Impeller | S06314 |
| 71 | Bracket | See Table II |
| 73 | O-Ring (See Note 2) | M14943 |
| 89 | Seal, Mechanical Shaft | S32014 |
| 800A | Capscrew, 3/8 - 16 x 7/8" (8 Req.) | S26825 |
| 800B | Capscrew, 3/8 - 16 x 1" (4 Req.) | S26826 |
| 805 | Washer, Lock | S23036 |
| 810 | Plug, Pipe 1/4 NPT (5 Req.) | S23715 |
| 815 | Ring, Retaining | S11207 |

Table I

| B/M No. | HP | PH | RPM | "U" Dim. | Imp. Dia. | Imp. No. |
|---------|-----|----|------|----------|-----------|----------|
| B54577 | 2 | 1 | 1800 | 7/8" | 6.18" | L06124 |
| B54581 | 2 | 3 | 1800 | 7/8" | 6.18" | L06124 |
| B54578 | 3 | 1 | 1800 | 7/8" | 7.31" | L06125 |
| B54582 | 3 | 3 | 1800 | 7/8" | 7.31" | L06125 |
| B54579 | 5 | 1 | 1800 | 7/8" | 8.38" | L06126 |
| B54583 | 5 | 3 | 1800 | 7/8" | 8.38" | L06126 |
| B54580 | 7.5 | 1 | 1800 | 7/8" | 9.00" | L01218 |
| B54584 | 7.5 | 3 | 1800 | 7/8" | 9.00" | L01218 |

Table II

| HP | PH | Bracket No. | "AK" Fit | "U" Dim. | Motor Frame |
|-----|----|-------------|----------|----------|-------------|
| 2 | 1 | L05332 | 4-1/2" | 7/8" | 182JM |
| 2 | 3 | L05332 | 4-1/2" | 7/8" | 145JM |
| 3 | 1 | L05332 | 4-1/2" | 7/8" | 184JM |
| 3 | 3 | L05332 | 4-1/2" | 7/8" | 182JM |
| 5 | 1 | L05331 | 8-1/2" | 7/8" | 213JM |
| 5 | 3 | L05332 | 4-1/2" | 7/8" | 184JM |
| 7.5 | 1 | L05331 | 8-1/2" | 7/8" | 215JM |
| 7.5 | 3 | L05331 | 8-1/2" | 7/8" | 213JM |

NOTE 1: For an explanation of the tabulated material found on this page and for impeller key location, refer to *Supplement A* located at the beginning of this section.
NOTE 2: Also accepts gasket S05126 as replacement for o-ring. See *Supplement E* located at the beginning of this section.



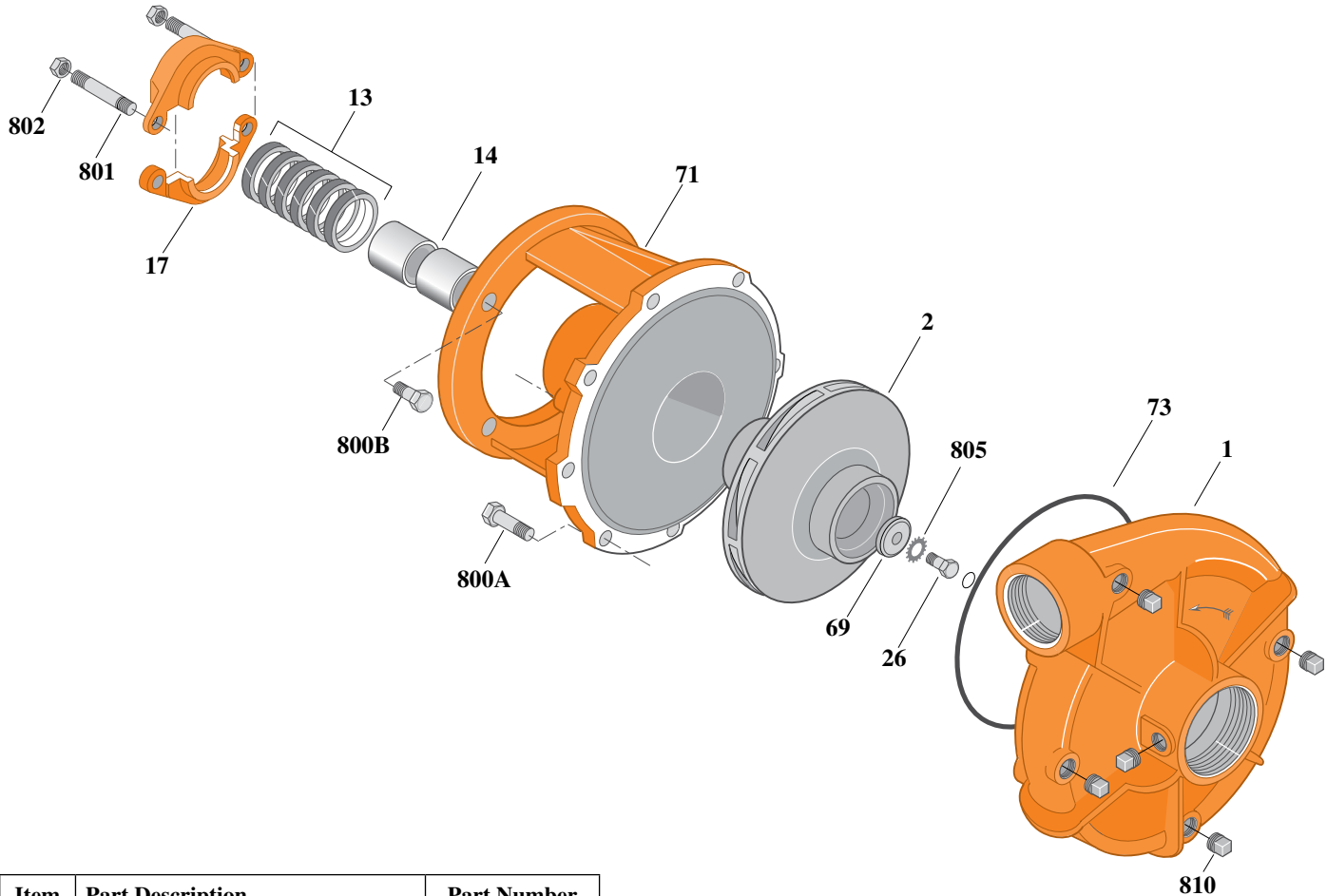
Type "B" Single Stage Centrifugal Pump Electric Motor Drive

| | |
|-------------------|--------------|
| Section | CC |
| Page | 140.4 |
| Date | July 1, 2011 |
| Supersedes 1/1/04 | |

SILICON BRONZE IMPELLERB2-1/2ZPM

Threaded Case (NPT)

Packing Construction



| Item | Part Description | Part Number |
|------|------------------------------------|--------------|
| 1 | Case, Volute | L01027 |
| 2 | Impeller | See Table I |
| 13 | Rings, Packing (Set of 7) | S15094 |
| 14 | Sleeve, Shaft (2 Req.) | S00619L |
| 17 | Gland, Packing | B82469 |
| 26 | Screw, Impeller 3/8 - 16 x 1" | S23566 |
| 32 | Key, 3/16 x 1-1/4" (See Note 1) | S34383 |
| 69 | Washer, Impeller | S06314 |
| 71 | Bracket | See Table II |
| 73 | O-Ring (See Note 2) | M14943 |
| 800A | Capscrew, 3/8 - 16 x 7/8" (8 Req.) | S26825 |
| 800B | Capscrew, 3/8 - 16 x 1" (4 Req.) | S26826 |
| 801 | Stud, 3/8 - 16 x 3" (2 Req.) | S04439 |
| 802 | Nut, Hex 3/8 - 16 (2 Req.) | S23343 |
| 805 | Washer, Lock | S23036 |
| 810 | Plug, Pipe 1/4" NPT (5 Req.) | S23715 |

Table I

| B/M No. | HP | PH | RPM | "U" Dim. | Imp. Dia. | Imp. No. |
|---------|----|----|------|----------|-----------|----------|
| B74569 | 2 | 1 | 1800 | 7/8" | 6.18" | L08164 |
| B74570 | 2 | 3 | 1800 | 7/8" | 6.18" | L08164 |
| B74585 | 3 | 1 | 1800 | 7/8" | 7.31" | L08165 |
| B74586 | 3 | 3 | 1800 | 7/8" | 7.31" | L08165 |

Table II

| HP | PH | Bracket No. | "AK" Fit | "U" Dim. | Motor Frame |
|----|----|-------------|----------|----------|-------------|
| 2 | 1 | H00950 | 4-1/2" | 7/8" | 182JP |
| 2 | 3 | H00950 | 4-1/2" | 7/8" | 145JP |
| 3 | 1 | H00950 | 4-1/2" | 7/8" | 184JP |
| 3 | 3 | H00950 | 4-1/2" | 7/8" | 182JP |

NOTE 1: For an explanation of the tabulated material found on this page and for impeller key location, refer to **Supplement A** located at the beginning of this section.

NOTE 2: Also accepts gasket S05126 as replacement for o-ring. See **Supplement E** located at the beginning of this section.



Type "B" Single Stage Centrifugal Pump Electric Motor Drive

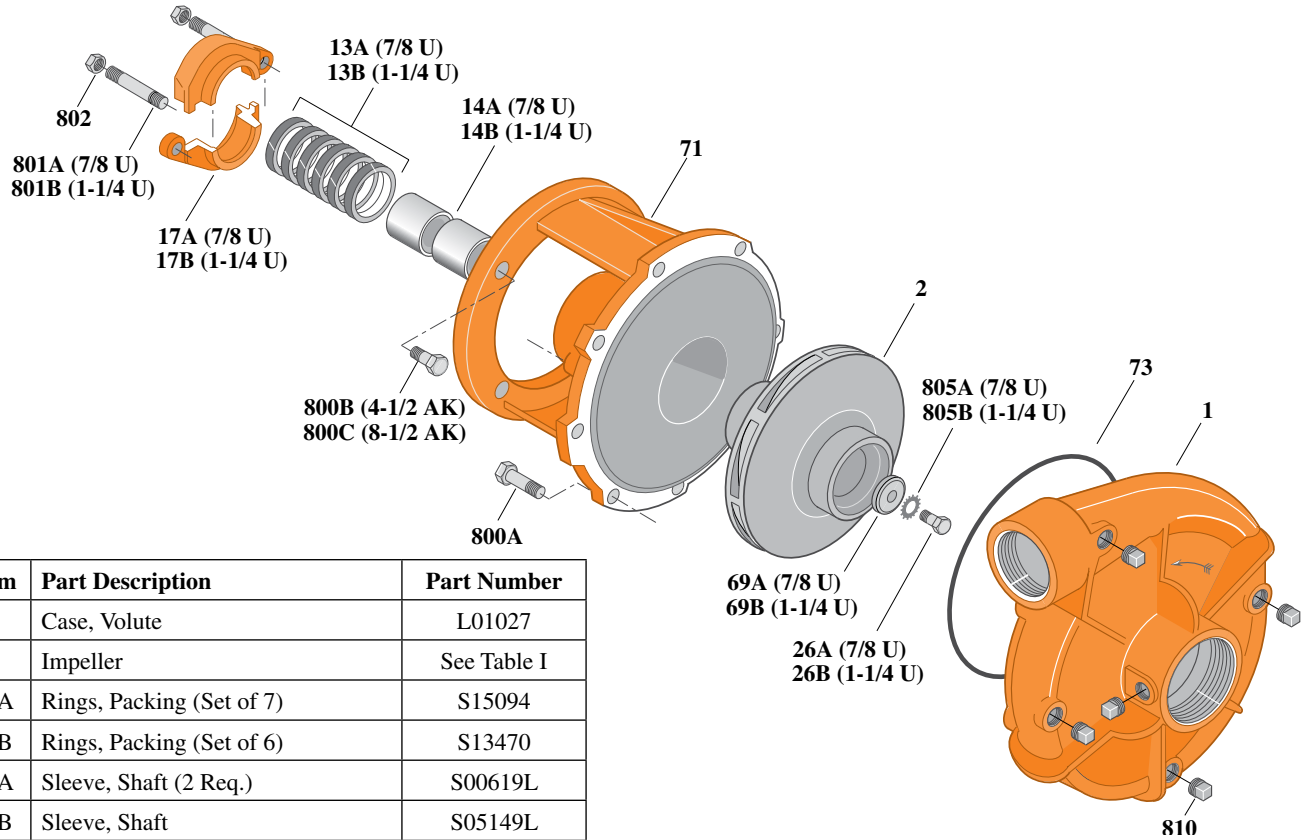
| | |
|-------------------|--------------|
| Section | CC |
| Page | 140.5 |
| Date | July 1, 2011 |
| Supersedes 1/1/04 | |

SILICON BRONZE IMPELLER

B2-1/2ZPM

Threaded Case (NPT)

Packing Construction



| Item | Part Description | Part Number |
|------|--------------------------------------|--------------|
| 1 | Case, Volute | L01027 |
| 2 | Impeller | See Table I |
| 13A | Rings, Packing (Set of 7) | S15094 |
| 13B | Rings, Packing (Set of 6) | S13470 |
| 14A | Sleeve, Shaft (2 Req.) | S00619L |
| 14B | Sleeve, Shaft | S05149L |
| 17A | Gland, Packing | B82469 |
| 17B | Gland, Packing | B82470 |
| 26A | Screw, Impeller 3/8 - 16 x 1" | S23566 |
| 26B | Screw, Impeller 1/2 - 13 x 1-1/2" | S23623 |
| 32A | Key, 3/16 x 1-1/4" (See Note 1) | S34383 |
| 32B | Key, 1/4 x 2-1/4" (See Note 1) | S23677 |
| 69A | Washer, Impeller | S06314 |
| 69B | Washer, Impeller | S06319 |
| 71 | Bracket | See Table II |
| 73 | O-Ring (See Note 2) | M14943 |
| 800A | Capscrew, 3/8 - 16 x 7/8" (8 Req.) | S26825 |
| 800B | Capscrew, 3/8 - 16 x 1" (4 Req.) | S26826 |
| 800C | Capscrew, 1/2 - 13 x 1-1/2" (4 Req.) | S26916 |
| 801A | Stud, 3/8 - 16 x 3" (2 Req.) | S04439 |
| 801B | Stud, 3/8 - 16 x 4" (2 Req.) | S08303 |
| 802 | Nut, Hex 3/8 - 16 (2 Req.) | S23343 |
| 805A | Washer, Lock | S23036 |
| 805B | Washer, Lock | S23038 |
| 810 | Plug, Pipe 1/4" NPT (5 Req.) | S23715 |

Table I

| B/M No. | HP | PH | RPM | "U" Dim. | Imp. Dia. | Imp. No. |
|---------|-----|----|------|----------|-----------|----------|
| B74600 | 5 | 1 | 1800 | 1-1/4" | 8.38" | L08191 |
| B74604 | 5 | 3 | 1800 | 7/8" | 8.38" | L08166 |
| B74622 | 7.5 | 1 | 1800 | 1-1/4" | 9.00" | L08190 |
| B74623 | 7.5 | 3 | 1800 | 1-1/4" | 9.00" | L08190 |

Table II

| HP | PH | Bracket No. | "AK" Fit | "U" Dim. | Motor Frame |
|-----|----|-------------|----------|----------|-------------|
| 5 | 1 | L03827 | 8-1/2" | 1-1/4" | 213JP |
| 5 | 3 | H00950 | 4-1/2" | 7/8" | 184JP |
| 7.5 | 1 | L03827 | 8-1/2" | 1-1/4" | 215JP |
| 7.5 | 3 | L03827 | 8-1/2" | 1-1/4" | 213JP |

NOTE 1: For an explanation of the tabulated material found on this page and for impeller key location, refer to *Supplement A* located at the beginning of this section.

NOTE 2: Also accepts gasket S05126 as replacement for o-ring. See *Supplement E* located at the beginning of this section.



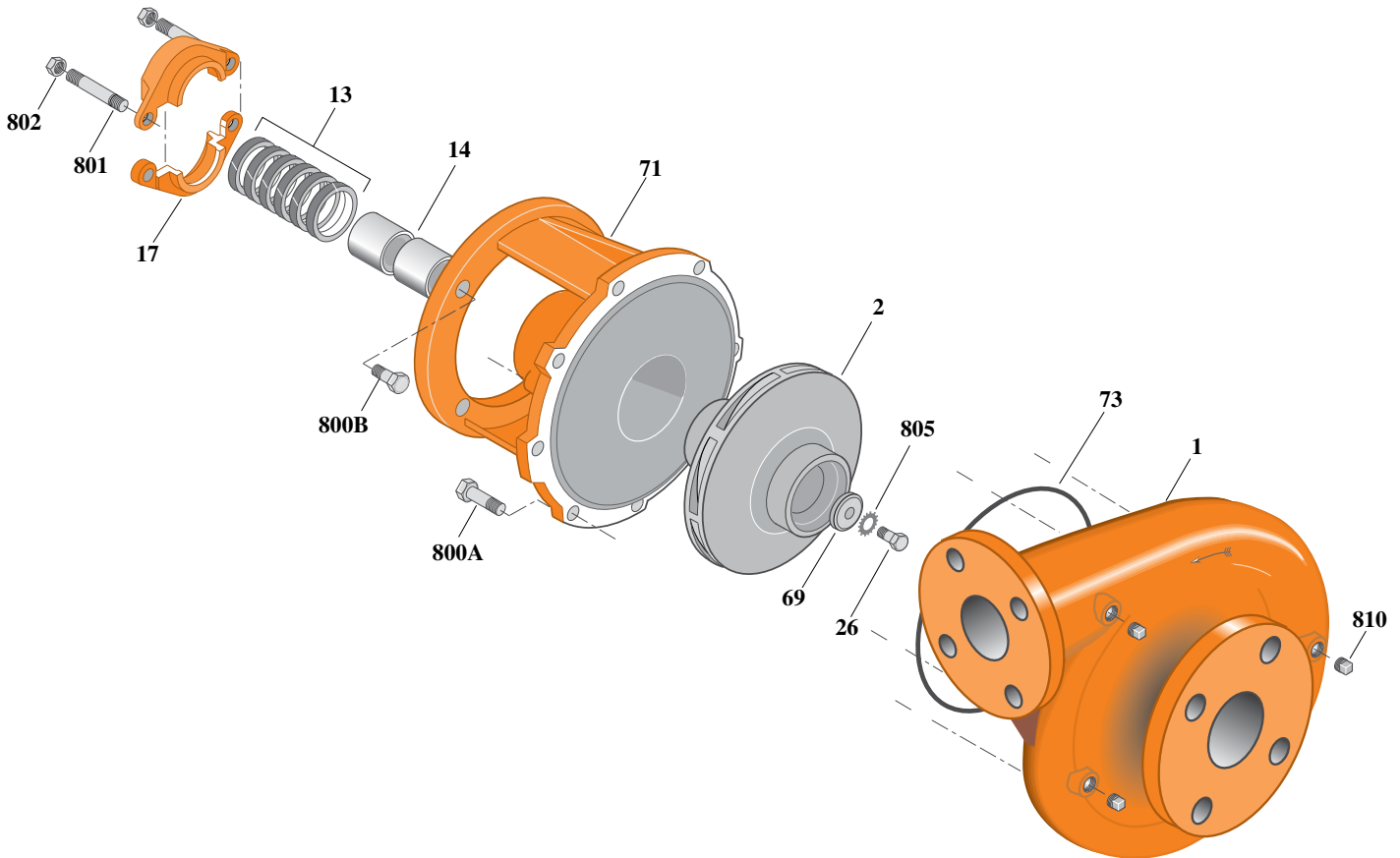
Type "B" Single Stage Centrifugal Pump Electric Motor Drive

| | |
|-------------------|--------------|
| Section | CC |
| Page | 140.6 |
| Date | July 1, 2011 |
| Supersedes 1/1/04 | |

SILICON BRONZE IMPELLERB2-1/2ZPM

Flanged Case

Packing Construction



| Item | Part Description | Part Number |
|------|------------------------------------|--------------|
| 1 | Case, Volute | H05534 |
| 2 | Impeller | See Table I |
| 13 | Rings, Packing (Set of 7) | S15094 |
| 14 | Sleeve, Shaft (2 Req.) | S00619L |
| 17 | Gland, Packing | B82469 |
| 26 | Screw, Impeller 3/8 - 16 x 1" | S23566 |
| 32 | Key, 3/16 x 1-1/4" (See Note 1) | S34383 |
| 69 | Washer, Impeller | S06314 |
| 71 | Bracket | See Table II |
| 73 | O-Ring (See Note 2) | M14943 |
| 800A | Capscrew, 3/8 - 16 x 7/8" (8 Req.) | S26825 |
| 800B | Capscrew, 3/8 - 16 x 1" (4 Req.) | S26826 |
| 801 | Stud, 3/8 - 16 x 3" (2 Req.) | S04439 |
| 802 | Nut, Hex 3/8 - 16 (2 Req.) | S23343 |
| 805 | Washer, Lock | S23036 |
| 810 | Plug, Pipe 1/4" NPT (4 Req.) | S23715 |

Table I

| B/M No. | HP | PH | RPM | "U" Dim. | Imp. Dia. | Imp. No. |
|---------|----|----|------|----------|-----------|----------|
| B74574 | 2 | 1 | 1800 | 7/8" | 6.18" | L08164 |
| B74575 | 2 | 3 | 1800 | 7/8" | 6.18" | L08164 |
| B74589 | 3 | 1 | 1800 | 7/8" | 7.31" | L08165 |
| B74590 | 3 | 3 | 1800 | 7/8" | 7.31" | L08165 |

Table II

| HP | PH | Bracket No. | "AK" Fit | "U" Dim. | Motor Frame |
|----|----|-------------|----------|----------|-------------|
| 2 | 1 | H00950 | 4-1/2" | 7/8" | 182JP |
| 2 | 3 | H00950 | 4-1/2" | 7/8" | 145JP |
| 3 | 1 | H00950 | 4-1/2" | 7/8" | 184JP |
| 3 | 3 | H00950 | 4-1/2" | 7/8" | 182JP |

NOTE 1: For an explanation of the tabulated material found on this page and for impeller key location, refer to *Supplement A* located at the beginning of this section.

NOTE 2: Also accepts gasket S05126 as replacement for o-ring. See *Supplement E* located at the beginning of this section.



Type "B" Single Stage Centrifugal Pump Electric Motor Drive

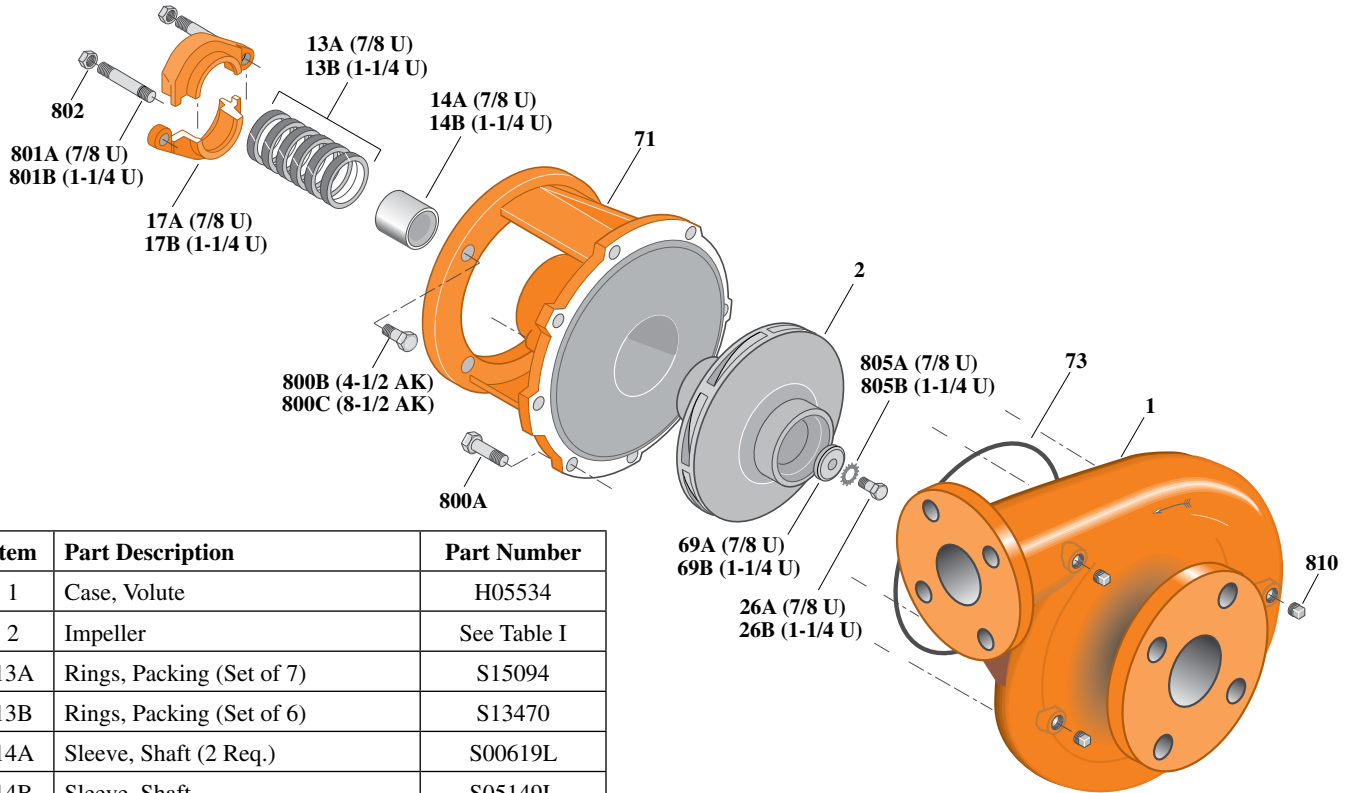
| | |
|-------------------|--------------|
| Section | CC |
| Page | 140.7 |
| Date | July 1, 2011 |
| Supersedes 1/1/04 | |

SILICON BRONZE IMPELLER

B2-1/2ZPM

Flanged Case

Packing Construction



| Item | Part Description | Part Number |
|------|--------------------------------------|--------------|
| 1 | Case, Volute | H05534 |
| 2 | Impeller | See Table I |
| 13A | Rings, Packing (Set of 7) | S15094 |
| 13B | Rings, Packing (Set of 6) | S13470 |
| 14A | Sleeve, Shaft (2 Req.) | S00619L |
| 14B | Sleeve, Shaft | S05149L |
| 17A | Gland, Packing | B82469 |
| 17B | Gland, Packing | B82470 |
| 26A | Screw, Impeller 3/8 - 16 x 1" | S23566 |
| 26B | Screw, Impeller 1/2 - 13 x 1-1/2" | S23623 |
| 32A | Key, 3/16 x 1-1/4" (See Note 1) | S34383 |
| 32B | Key, 1/4 x 2-1/4" (See Note 1) | S23677 |
| 69A | Washer, Impeller | S06314 |
| 69B | Washer, Impeller | S06319 |
| 71 | Bracket | See Table II |
| 73 | O-Ring (See Note 2) | M14943 |
| 800A | Capscrew, 3/8 - 16 x 7/8" (8 Req.) | S26825 |
| 800B | Capscrew, 3/8 - 16 x 1" (4 Req.) | S26826 |
| 800C | Capscrew, 1/2 - 13 x 1-1/2" (4 Req.) | S26916 |
| 801A | Stud, 3/8 - 16 x 3" (2 Req.) | S04439 |
| 801B | Stud, 3/8 - 16 x 4" (2 Req.) | S08303 |
| 802 | Nut, Hex 3/8 - 16 (2 Req.) | S23343 |
| 805A | Washer, Lock | S23036 |
| 805B | Washer, Lock | S23038 |
| 810 | Plug, Pipe 1/4" NPT (4 Req.) | S23715 |

Table I

| B/M No. | HP | PH | RPM | "U" Dim. | Imp. Dia. | Imp. No. |
|---------|-----|----|------|----------|-----------|----------|
| B74607 | 5 | 1 | 1800 | 1-1/4" | 8.38" | L08191 |
| B74610 | 5 | 3 | 1800 | 7/8" | 8.38" | L08166 |
| B74626 | 7.5 | 1 | 1800 | 1-1/4" | 9.00" | L08190 |
| B74627 | 7.5 | 3 | 1800 | 1-1/4" | 9.00" | L08190 |

Table II

| HP | PH | Bracket No. | "AK" Fit | "U" Dim. | Motor Frame |
|-----|----|-------------|----------|----------|-------------|
| 5 | 1 | L03827 | 8-1/2" | 1-1/4" | 213JP |
| 5 | 3 | H00950 | 4-1/2" | 7/8" | 184JP |
| 7.5 | 1 | L03827 | 8-1/2" | 1-1/4" | 215JP |
| 7.5 | 3 | L03827 | 8-1/2" | 1-1/4" | 213JP |

NOTE 1: For an explanation of the tabulated material found on this page and for impeller key location, refer to *Supplement A* located at the beginning of this section.

NOTE 2: Also accepts gasket S05126 as replacement for o-ring. See *Supplement E* located at the beginning of this section.



Type "B" Single Stage Centrifugal Pump Electric Motor Drive

| | |
|-------------------|--------------|
| Section | CC |
| Page | 140.8 |
| Date | July 1, 2011 |
| Supersedes 1/1/04 | |

SILICON BRONZE IMPELLERB2-1/2ZPMS

Threaded Case (NPT)

Mechanical Shaft Seal Construction

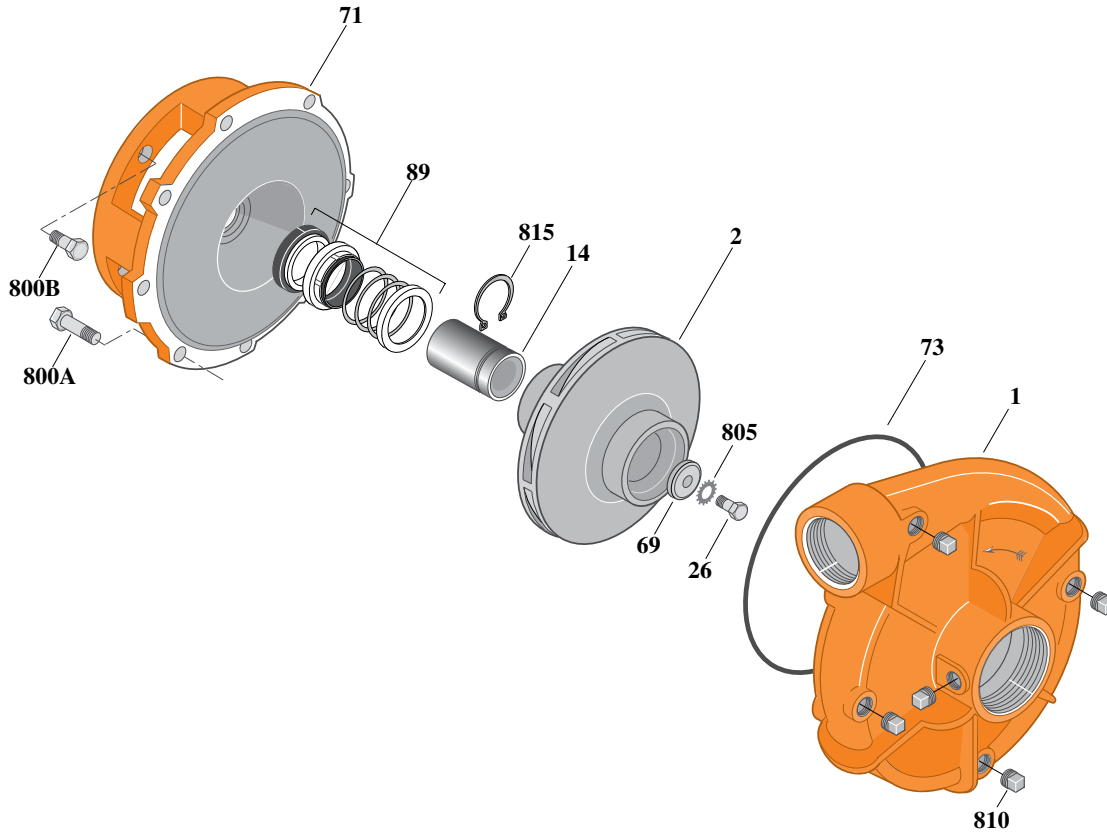


Table I

| B/M No. | HP | PH | RPM | "U" Dim. | Imp. Dia. | Imp. No. |
|---------|----|----|------|----------|-----------|----------|
| B74577 | 2 | 1 | 1800 | 7/8" | 6.18" | L08164 |
| B74578 | 2 | 3 | 1800 | 7/8" | 6.18" | L08164 |
| B74592 | 3 | 1 | 1800 | 7/8" | 7.31" | L08165 |
| B74593 | 3 | 3 | 1800 | 7/8" | 7.31" | L08165 |
| B74614 | 5 | 3 | 1800 | 7/8" | 8.38" | L08166 |

Table II

| HP | PH | Bracket No. | "AK" Fit | "U" Dim. | Motor Frame |
|----|----|-------------|----------|----------|-------------|
| 2 | 1 | L05332 | 4-1/2" | 7/8" | 182JM |
| 2 | 3 | L05332 | 4-1/2" | 7/8" | 145JM |
| 3 | 1 | L05332 | 4-1/2" | 7/8" | 184JM |
| 3 | 3 | L05332 | 4-1/2" | 7/8" | 182JM |
| 5 | 3 | L05332 | 4-1/2" | 7/8" | 184JM |

| Item | Part Description | Part Number |
|------|------------------------------------|--------------|
| 1 | Case, Volute | L01027 |
| 2 | Impeller | See Table I |
| 14 | Sleeve, Shaft | S19310L |
| 26 | Screw, Impeller 3/8 - 16 x 1" | S23566 |
| 32 | Key, 3/16 x 1-1/4" (See Note 1) | S34383 |
| 69 | Washer, Impeller | S06314 |
| 71 | Bracket | See Table II |
| 73 | O-Ring (See Note 3) | M14943 |
| 89 | Seal, Mechanical Shaft | S32014 |
| 800A | Capscrew, 3/8 - 16 x 7/8" (8 Req.) | S26825 |
| 800B | Capscrew, 3/8 - 16 x 1" (4 Req.) | S26826 |
| 805 | Washer, Lock | S23036 |
| 810 | Plug, Pipe 1/4" NPT (5 Req.) | S23715 |
| 815 | Ring, Retaining | S11207 |
| • | Plug, Pipe 1/8" NPT (In Bracket) | S23714 |

• Not illustrated.

NOTE 1: For an explanation of the tabulated material found on this page and for impeller key location, refer to *Supplement A* located at the beginning of this section.

NOTE 2: For seal flush line details, see *Supplement D*.

NOTE 3: Also accepts gasket S05126 as replacement for o-ring. See *Supplement E* located at the beginning of this section.



Type "B" Single Stage Centrifugal Pump Electric Motor Drive

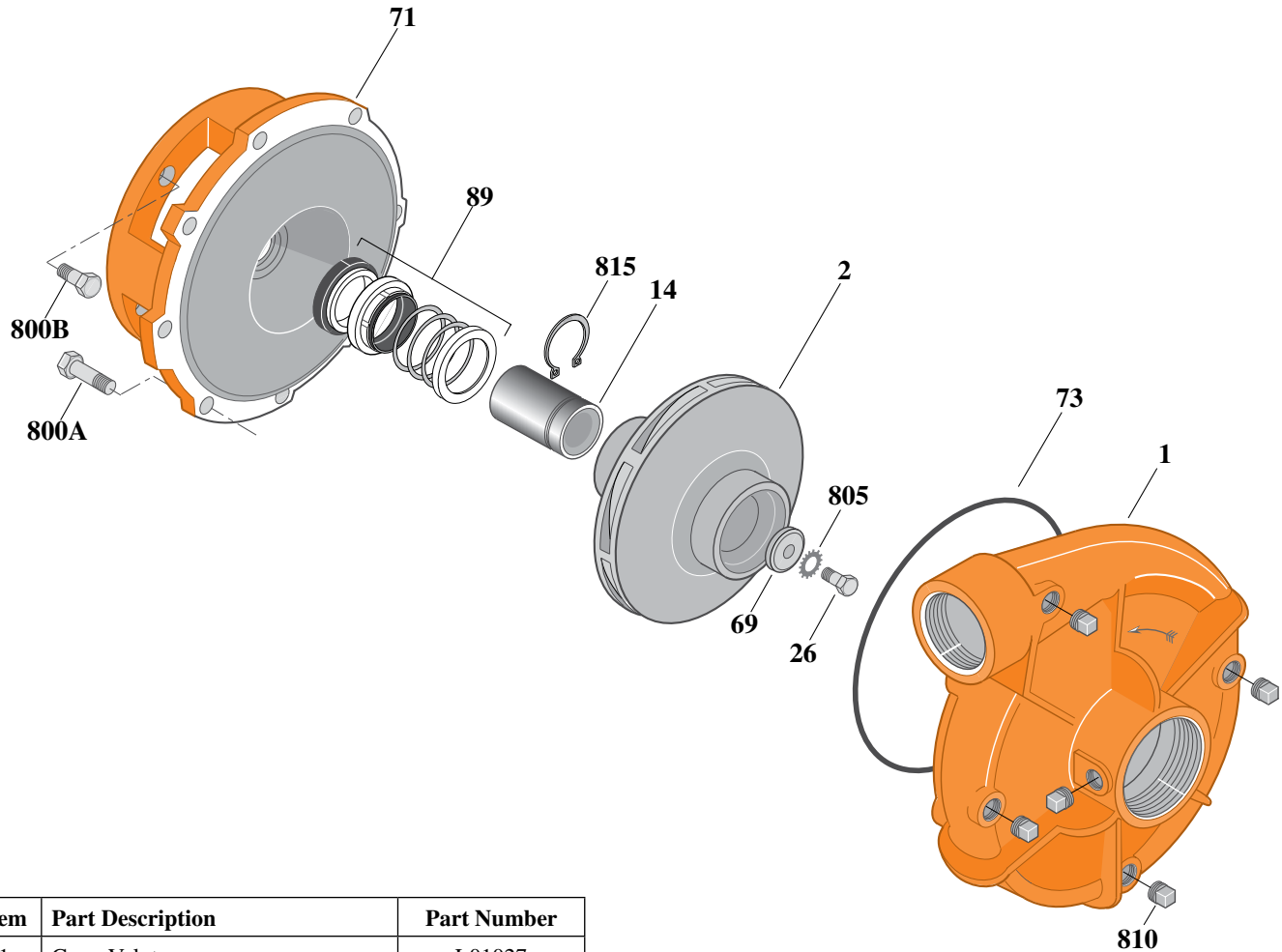
| | |
|-------------------|--------------|
| Section | CC |
| Page | 140.9 |
| Date | July 1, 2011 |
| Supersedes 1/1/04 | |

SILICON BRONZE IMPELLER

B2-1/2ZPMS

Threaded Case (NPT)

Mechanical Shaft Seal Construction



| Item | Part Description | Part Number |
|------|------------------------------------|--------------|
| 1 | Case, Volute | L01027 |
| 2 | Impeller | See Table I |
| 14 | Sleeve, Shaft | S19310L |
| 26 | Screw, Impeller 3/8 - 16 x 1" | S23566 |
| 32 | Key, 3/16 x 1-1/4" (See Note 1) | S34383 |
| 69 | Washer, Impeller | S06314 |
| 71 | Bracket | See Table II |
| 73 | O-Ring (See Note 3) | M14943 |
| 89 | Seal, Mechanical Shaft | S32014 |
| 800A | Capscrew, 3/8 - 16 x 7/8" (8 Req.) | S26825 |
| 800B | Capscrew, 1/2 - 13 x 1" (4 Req.) | S26912 |
| 805 | Washer, Lock | S23036 |
| 810 | Plug, Pipe 1/4" NPT (5 Req.) | S23715 |
| 815 | Ring, Retaining | S11207 |
| • | Plug, Pipe 1/8" NPT (In Bracket) | S23714 |

• Not illustrated.

Table I

| B/M No. | HP | PH | RPM | "U" Dim. | Imp. Dia. | Imp. No. |
|---------|-----|----|------|----------|-----------|----------|
| B74612 | 5 | 1 | 1800 | 7/8" | 8.38" | L08166 |
| B74631 | 7.5 | 1 | 1800 | 7/8" | 9.00" | L08163 |
| B74632 | 7.5 | 3 | 1800 | 7/8" | 9.00" | L08163 |

Table II

| HP | PH | Bracket No. | "AK" Fit | "U" Dim. | Motor Frame |
|-----|----|-------------|----------|----------|-------------|
| 5 | 1 | L05331 | 8-1/2" | 7/8" | 213JM |
| 7.5 | 1 | L05331 | 8-1/2" | 7/8" | 215JM |
| 7.5 | 3 | L05331 | 8-1/2" | 7/8" | 213JM |

NOTE 1: For an explanation of the tabulated material found on this page and for impeller key location, refer to *Supplement A* located at the beginning of this section.

NOTE 2: For seal flush line details, see *Supplement D*.

NOTE 3: Also accepts gasket S05126 as replacement for o-ring. See *Supplement E* located at the beginning of this section.



Type "B" Single Stage Centrifugal Pump Electric Motor Drive

| | |
|-------------------|--------------|
| Section | CC |
| Page | 140.10 |
| Date | July 1, 2011 |
| Supersedes 1/1/04 | |

SILICON BRONZE IMPELLER B2-1/2ZPMS

Flanged Case

Mechanical Shaft Seal Construction

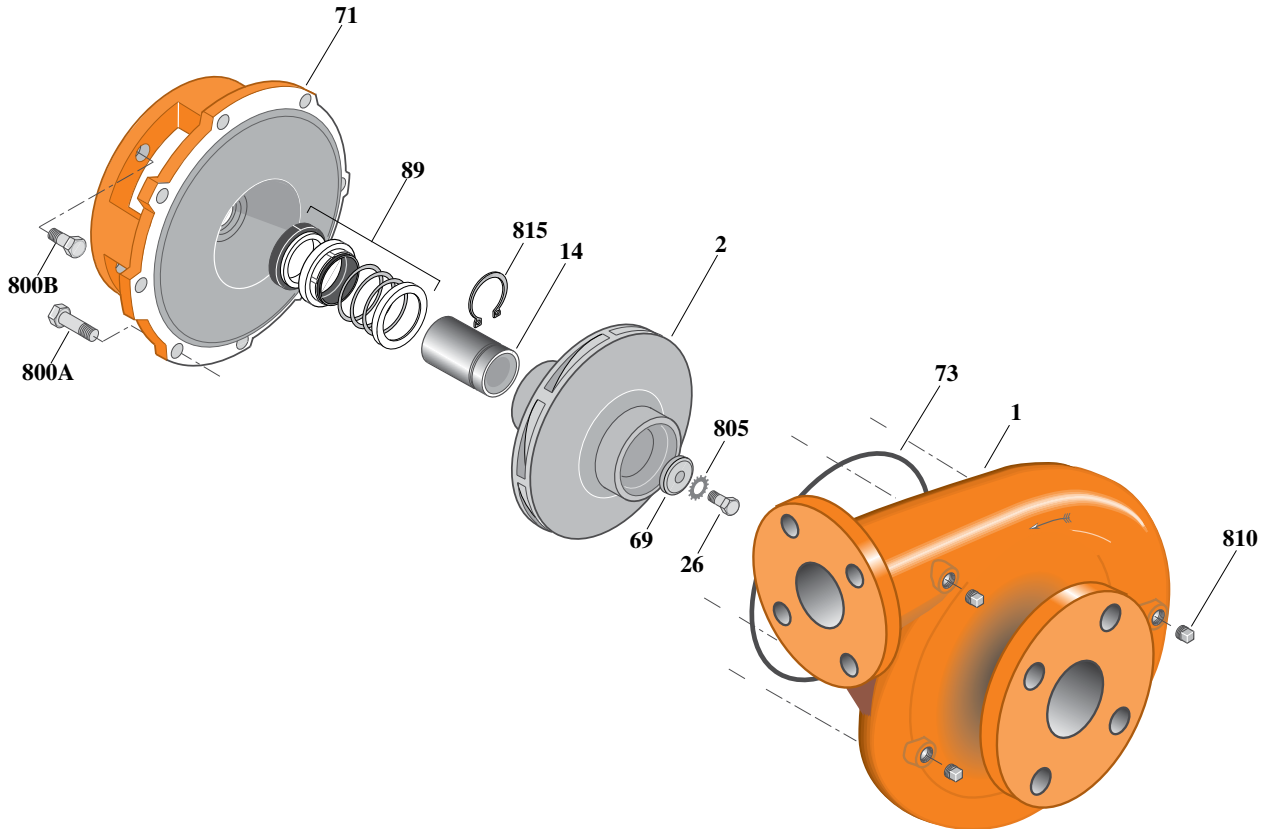


Table I

| B/M No. | HP | PH | RPM | "U" Dim. | Imp. Dia. | Imp. No. |
|---------|----|----|------|----------|-----------|----------|
| B74580 | 2 | 1 | 1800 | 7/8" | 6.18" | L08164 |
| B74581 | 2 | 3 | 1800 | 7/8" | 6.18" | L08164 |
| B74595 | 3 | 1 | 1800 | 7/8" | 7.31" | L08165 |
| B74596 | 3 | 3 | 1800 | 7/8" | 7.31" | L08165 |
| B74618 | 5 | 3 | 1800 | 7/8" | 8.38" | L08166 |

Table II

| HP | PH | Bracket No. | "AK" Fit | "U" Dim. | Motor Frame |
|----|----|-------------|----------|----------|-------------|
| 2 | 1 | L05332 | 4-1/2" | 7/8" | 182JM |
| 2 | 3 | L05332 | 4-1/2" | 7/8" | 145JM |
| 3 | 1 | L05332 | 4-1/2" | 7/8" | 184JM |
| 3 | 3 | L05332 | 4-1/2" | 7/8" | 182JM |
| 5 | 3 | L05332 | 4-1/2" | 7/8" | 184JM |

| Item | Part Description | Part Number |
|------|------------------------------------|--------------|
| 1 | Case, Volute | H05534 |
| 2 | Impeller | See Table I |
| 14 | Sleeve, Shaft | S19310L |
| 26 | Screw, Impeller 3/8 - 16 x 1" | S23566 |
| 32 | Key, 3/16 x 1-1/4" (See Note 1) | S34383 |
| 69 | Washer, Impeller | S06314 |
| 71 | Bracket | See Table II |
| 73 | O-Ring (See Note 3) | M14943 |
| 89 | Seal, Mechanical Shaft | S32014 |
| 800A | Capscrew, 3/8 - 16 x 7/8" (8 Req.) | S26825 |
| 800B | Capscrew, 3/8 - 16 x 1" (4 Req.) | S26826 |
| 805 | Washer, Lock | S23036 |
| 810 | Plug, Pipe 1/4" NPT (4 Req.) | S23715 |
| 815 | Ring, Retaining | S11207 |
| • | Plug, Pipe 1/8" NPT (In Bracket) | S23714 |

• Not illustrated.

NOTE 1: For an explanation of the tabulated material found on this page and for impeller key location, refer to *Supplement A* located at the beginning of this section.

NOTE 2: For seal flush line details, see *Supplement D*.

NOTE 3: Also accepts gasket S05126 as replacement for o-ring. See *Supplement E* located at the beginning of this section.



Type "B" Single Stage Centrifugal Pump Electric Motor Drive

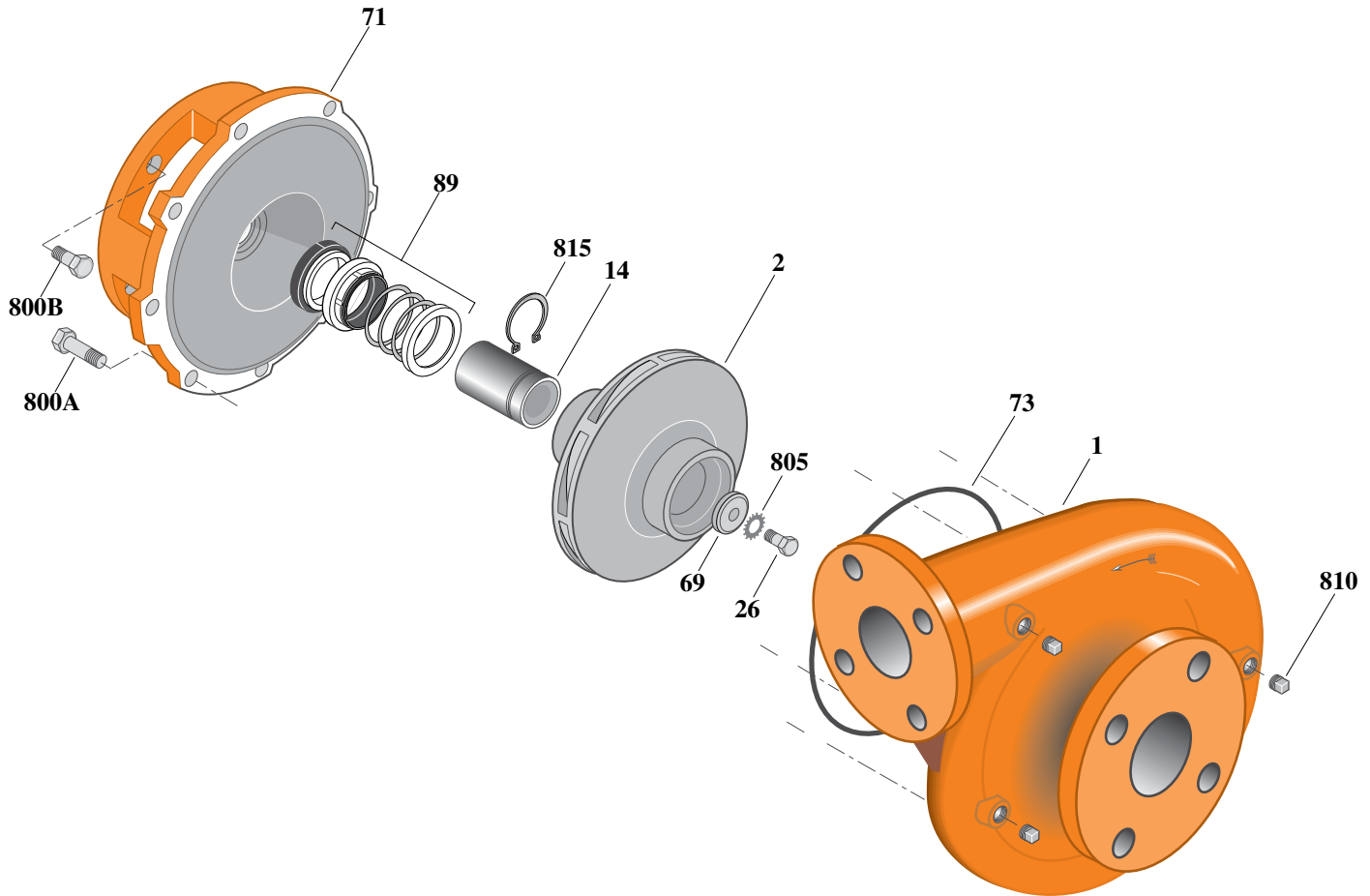
| | |
|-------------------|--------------|
| Section | CC |
| Page | 140.11 |
| Date | July 1, 2011 |
| Supersedes 1/1/04 | |

SILICON BRONZE IMPELLER

B2-1/2ZPMS

Flanged Case

Mechanical Shaft Seal Construction



| Item | Part Description | Part Number |
|------|------------------------------------|--------------|
| 1 | Case, Volute | H05534 |
| 2 | Impeller | See Table I |
| 14 | Sleeve, Shaft | S19310L |
| 26 | Screw, Impeller 3/8 - 16 x 1" | S23566 |
| 32 | Key, 3/16 x 1-1/4" (See Note 1) | S34383 |
| 69 | Washer, Impeller | S06314 |
| 71 | Bracket | See Table II |
| 73 | O-Ring (See Note 3) | M14943 |
| 89 | Seal, Mechanical Shaft | S32014 |
| 800A | Capscrew, 3/8 - 16 x 7/8" (8 Req.) | S26825 |
| 800B | Capscrew, 1/2 - 13 x 1" (4 Req.) | S26912 |
| 805 | Washer, Lock | S23036 |
| 810 | Plug, Pipe 1/4" NPT (4 Req.) | S23715 |
| 815 | Ring, Retaining | S11207 |
| • | Plug, Pipe 1/8" NPT (In Bracket) | S23714 |

• Not illustrated.

Table I

| B/M No. | HP | PH | RPM | "U" Dim. | Imp. Dia. | Imp. No. |
|---------|-----|----|------|----------|-----------|----------|
| B74616 | 5 | 1 | 1800 | 7/8" | 8.38" | L08166 |
| B74635 | 7.5 | 1 | 1800 | 7/8" | 9.00" | L08163 |
| B74636 | 7.5 | 3 | 1800 | 7/8" | 9.00" | L08163 |

Table II

| HP | PH | Bracket No. | "AK" Fit | "U" Dim. | Motor Frame |
|-----|----|-------------|----------|----------|-------------|
| 5 | 1 | L05331 | 8-1/2" | 7/8" | 213JM |
| 7.5 | 1 | L05331 | 8-1/2" | 7/8" | 215JM |
| 7.5 | 3 | L05331 | 8-1/2" | 7/8" | 213JM |

NOTE 1: For an explanation of the tabulated material found on this page and for impeller key location, refer to *Supplement A* located at the beginning of this section.

NOTE 2: For seal flush line details, see *Supplement D*.

NOTE 3: Also accepts gasket S05126 as replacement for o-ring. See *Supplement E* located at the beginning of this section.



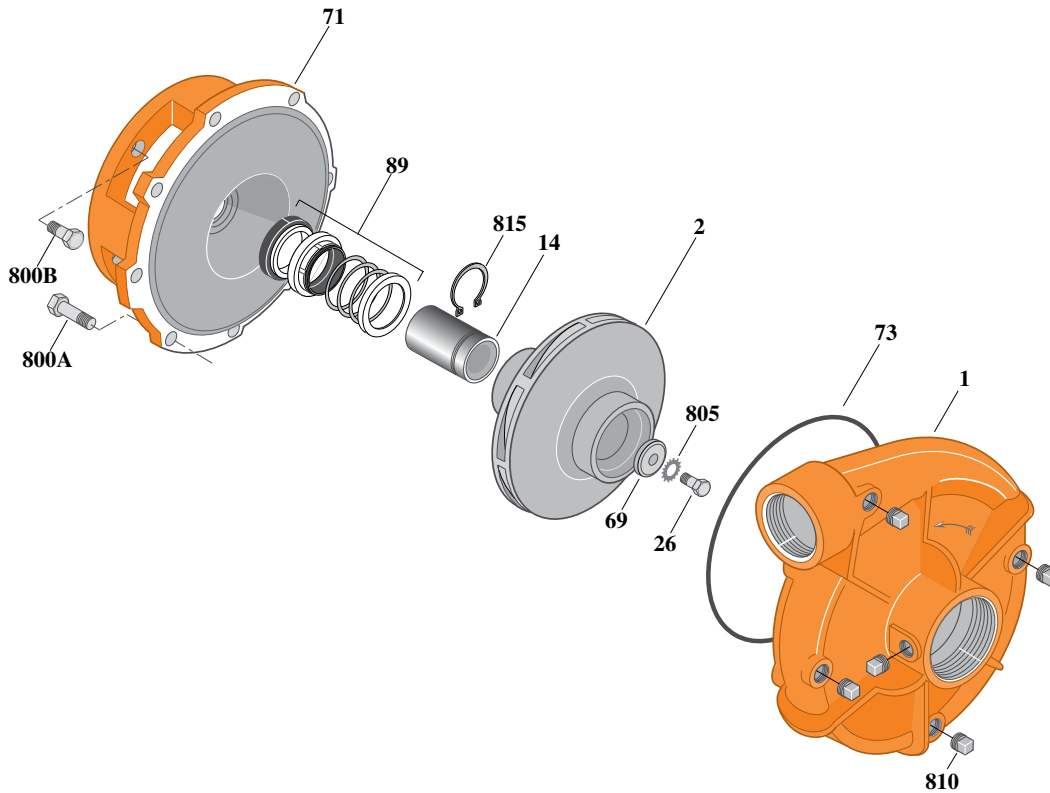
Type "B" Single Stage Centrifugal Pump Electric Motor Drive

| | |
|-------------------|--------------|
| Section | CC |
| Page | 140.12 |
| Date | July 1, 2011 |
| Supersedes 1/1/04 | |

BRONZE IMPELLERB2-1/2ZPMS

Threaded Case (NPT)

Mechanical Shaft Seal Construction



| Item | Part Description | Part Number |
|------|------------------------------------|--------------|
| 1 | Case, Volute | L01027 |
| 2 | Impeller | See Table I |
| 14 | Sleeve, Shaft | S19310L |
| 26 | Screw, Impeller 3/8 - 16 x 1" | S23566 |
| 32 | Key, 3/16 x 1-1/4" (See Note 1) | S34383 |
| 69 | Washer, Impeller | S06314 |
| 71 | Bracket | See Table II |
| 73 | O-Ring (See Note 2) | M14943 |
| 89 | Seal, Mechanical Shaft | S32014 |
| 800A | Capscrew, 3/8 - 16 x 7/8" (8 Req.) | S26825 |
| 800B | Capscrew, 3/8 - 16 x 1" (4 Req.) | S26826 |
| 805 | Washer, Lock | S23036 |
| 810 | Plug, Pipe 1/4 NPT (5 Req.) | S23715 |
| 815 | Ring, Retaining | S11207 |

NOTE 1: For an explanation of the tabulated material found on this page and for impeller key location, refer to **Supplement A** located at the beginning of this section.
NOTE 2: Also accepts gasket S05126 as replacement for o-ring. See **Supplement E** located at the beginning of this section.

Table I

| B/M No. | HP | PH | RPM | "U" Dim. | Imp. Dia. | Imp. No. |
|---------|-----|----|------|----------|-----------|----------|
| B74569 | 2 | 1 | 1800 | 7/8" | 6.18" | L08164 |
| B74570 | 2 | 3 | 1800 | 7/8" | 6.18" | L08164 |
| B74585 | 3 | 1 | 1800 | 7/8" | 7.31" | L08165 |
| B74586 | 3 | 3 | 1800 | 7/8" | 7.31" | L08165 |
| B74600 | 5 | 1 | 1800 | 7/8" | 8.38" | L08166 |
| B74604 | 5 | 3 | 1800 | 7/8" | 8.38" | L08166 |
| B74622 | 7.5 | 1 | 1800 | 7/8" | 9.00" | L08190 |
| B74623 | 7.5 | 3 | 1800 | 7/8" | 9.00" | L08190 |

Table II

| HP | PH | Bracket No. | "AK" Fit | "U" Dim. | Motor Frame |
|-----|----|-------------|----------|----------|-------------|
| 2 | 1 | L05332 | 4-1/2" | 7/8" | 182JM |
| 2 | 3 | L05332 | 4-1/2" | 7/8" | 145JM |
| 3 | 1 | L05332 | 4-1/2" | 7/8" | 184JM |
| 3 | 3 | L05332 | 4-1/2" | 7/8" | 182JM |
| 5 | 1 | L05331 | 8-1/2" | 7/8" | 213JM |
| 5 | 3 | L05332 | 4-1/2" | 7/8" | 184JM |
| 7.5 | 1 | L05331 | 8-1/2" | 7/8" | 215JM |
| 7.5 | 3 | L05331 | 8-1/2" | 7/8" | 213JM |



Type "B" Single Stage Centrifugal Pump Electric Motor Drive

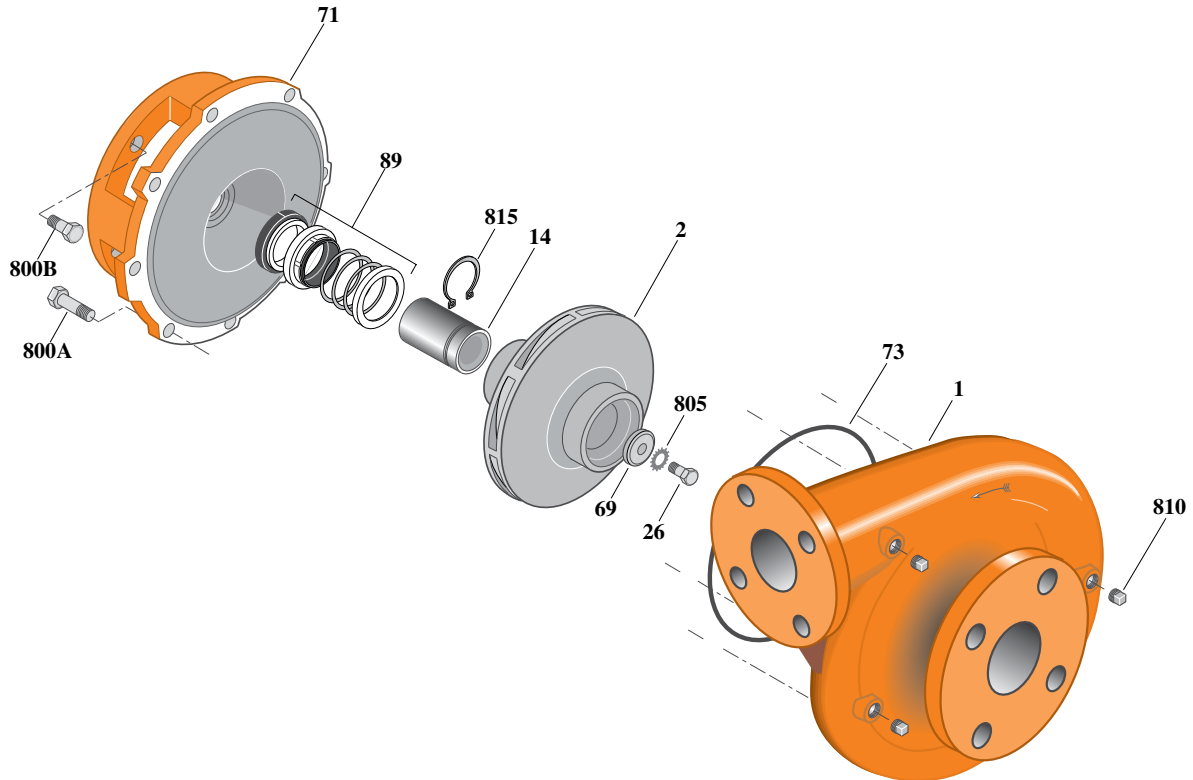
| | |
|-------------------|--------------|
| Section | CC |
| Page | 140.13 |
| Date | July 1, 2011 |
| Supersedes 1/1/04 | |

BRONZE IMPELLER

B2-1/2ZPMS

Flanged Case

Mechanical Shaft Seal Construction



| Item | Part Description | Part Number |
|------|------------------------------------|--------------|
| 1 | Case, Volute | H05534 |
| 2 | Impeller | See Table I |
| 14 | Sleeve, Shaft | S19310L |
| 26 | Screw, Impeller 3/8 - 16 x 1" | S23566 |
| 32 | Key, 3/16 x 1-1/4" (See Note 1) | S34383 |
| 69 | Washer, Impeller | S06314 |
| 71 | Bracket | See Table II |
| 73 | O-Ring (See Note 2) | M14943 |
| 89 | Seal, Mechanical Shaft | S32014 |
| 800A | Capscrew, 3/8 - 16 x 7/8" (8 Req.) | S26825 |
| 800B | Capscrew, 3/8 - 16 x 1" (4 Req.) | S26826 |
| 805 | Washer, Lock | S23036 |
| 810 | Plug, Pipe 1/4 NPT (5 Req.) | S23715 |
| 815 | Ring, Retaining | S11207 |

NOTE 1: For an explanation of the tabulated material found on this page and for impeller key location, refer to *Supplement A* located at the beginning of this section.
NOTE 2: Also accepts gasket S05126 as replacement for o-ring. See *Supplement E* located at the beginning of this section.

Table I

| B/M No. | HP | PH | RPM | "U" Dim. | Imp. Dia. | Imp. No. |
|---------|-----|----|------|----------|-----------|----------|
| B74574 | 2 | 1 | 1800 | 7/8" | 6.18" | L08164 |
| B74575 | 2 | 3 | 1800 | 7/8" | 6.18" | L08164 |
| B74589 | 3 | 1 | 1800 | 7/8" | 7.31" | L08165 |
| B74590 | 3 | 3 | 1800 | 7/8" | 7.31" | L08165 |
| B74607 | 5 | 1 | 1800 | 7/8" | 8.38" | L08166 |
| B74610 | 5 | 3 | 1800 | 7/8" | 8.38" | L08166 |
| B74626 | 7.5 | 1 | 1800 | 7/8" | 9.00" | L08190 |
| B74627 | 7.5 | 3 | 1800 | 7/8" | 9.00" | L08190 |

Table II

| HP | PH | Bracket No. | "AK" Fit | "U" Dim. | Motor Frame |
|-----|----|-------------|----------|----------|-------------|
| 2 | 1 | L05332 | 4-1/2" | 7/8" | 182JM |
| 2 | 3 | L05332 | 4-1/2" | 7/8" | 145JM |
| 3 | 1 | L05332 | 4-1/2" | 7/8" | 184JM |
| 3 | 3 | L05332 | 4-1/2" | 7/8" | 182JM |
| 5 | 1 | L05331 | 8-1/2" | 7/8" | 213JM |
| 5 | 3 | L05332 | 4-1/2" | 7/8" | 184JM |
| 7.5 | 1 | L05331 | 8-1/2" | 7/8" | 215JM |
| 7.5 | 3 | L05331 | 8-1/2" | 7/8" | 213JM |



TYPE "B" SINGLE STAGE CENTRIFUGAL PUMP Electric Motor Drive

| | |
|-------------------|-----------------|
| Section | CC |
| Page | 150.1 |
| Date | January 1, 2004 |
| Supersedes 6/1/95 | |

CAST IRON IMPELLER

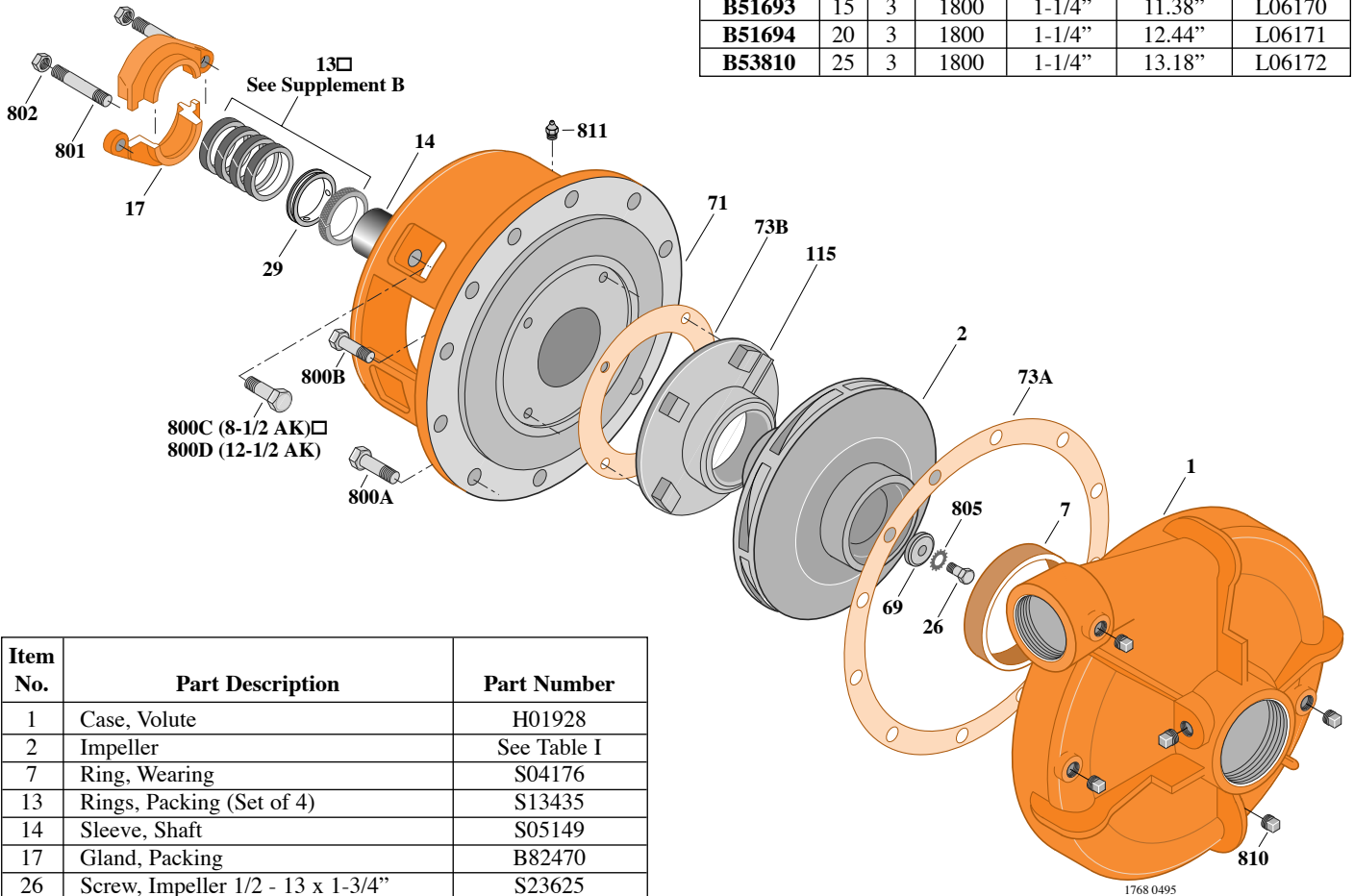
B2-1/2JPBM

Threaded Case (NPT)

Packing Construction

TABLE I

| B/M No. | HP | PH | RPM | "U" Dim. | Imp. Dia. | Imp. No. |
|---------|----|----|------|----------|-----------|----------|
| B51693 | 15 | 3 | 1800 | 1-1/4" | 11.38" | L06170 |
| B51694 | 20 | 3 | 1800 | 1-1/4" | 12.44" | L06171 |
| B53810 | 25 | 3 | 1800 | 1-1/4" | 13.18" | L06172 |



| Item No. | Part Description | Part Number |
|----------|---------------------------------------|--------------|
| 1 | Case, Volute | H01928 |
| 2 | Impeller | See Table I |
| 7 | Ring, Wearing | S04176 |
| 13 | Rings, Packing (Set of 4) | S13435 |
| 14 | Sleeve, Shaft | S05149 |
| 17 | Gland, Packing | B82470 |
| 26 | Screw, Impeller 1/2 - 13 x 1-3/4" | S23625 |
| 29 | Ring, Lantern | S19200 |
| 32 | Key, 1/4 x 2-1/4" (See Note) | S23677 |
| 69 | Washer, Impeller | S06319 |
| 71 | Bracket | See Table II |
| 73A | Gasket, Volute | S06271 |
| 73B | Gasket, Balance Ring | S09943 |
| 115 | Ring, Balance | M05115 |
| 800A | Capscrew, 5/8 - 11 x 1-1/2" (12 Req.) | S26999 |
| 800B | Capscrew, 1/2 - 13 x 1-1/2" (4 Req.) | S26916 |
| 800C | Capscrew, 3/8 - 16 x 1-1/2" (4 Req.) | S26830 |
| 801 | Stud, 3/8 - 16 x 2-1/2" (2 Req.) | S04438 |
| 802 | Nut, Hex 3/8 - 16 (2 Req.) | S23343 |
| 805 | Washer, Lock | S23038 |
| 810 | Plug, Pipe 1/2 NPT (6 Req.) | S23717 |
| 811 | Fitting, Grease | S23700 |
| 812 | Elbow, Street | S25421 |

TABLE II

| HP | PH | Bracket No. | "AK" Fit | "U" Dim. | Motor Frame |
|----|----|-------------|----------|----------|-------------|
| 15 | 3 | H02384 | 8-1/2" | 1-1/4" | 254JP |
| 20 | 3 | H02384 | 8-1/2" | 1-1/4" | 256JP |
| 25 | 3 | H01601 | 12-1/2" | 1-1/4" | 284JP |

NOTE: For an explanation of the tabulated material found on this page and for impeller key location, refer to *Supplement A* located at the beginning of this section.



TYPE "B" SINGLE STAGE CENTRIFUGAL PUMP Electric Motor Drive

| | |
|-------------------|-----------------|
| Section | CC |
| Page | 150.2 |
| Date | January 1, 2004 |
| Supersedes 6/1/95 | |

CAST IRON IMPELLER

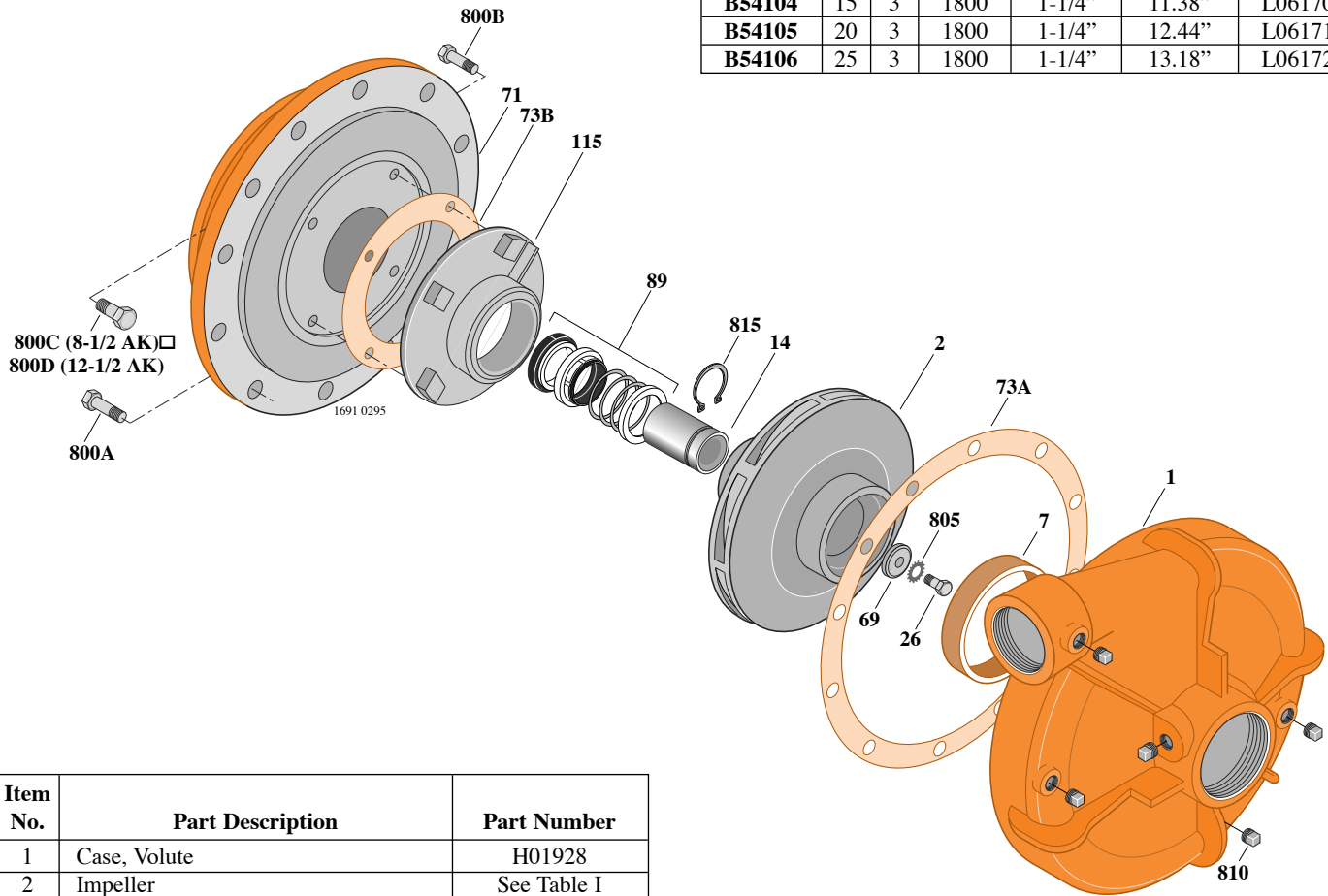
B2-1/2JPBMS

Threaded Case (NPT)

Mechanical Shaft Seal Construction

TABLE I

| B/M No. | HP | PH | RPM | "U" Dim. | Imp. Dia. | Imp. No. |
|---------------|----|----|------|----------|-----------|----------|
| B54104 | 15 | 3 | 1800 | 1-1/4" | 11.38" | L06170 |
| B54105 | 20 | 3 | 1800 | 1-1/4" | 12.44" | L06171 |
| B54106 | 25 | 3 | 1800 | 1-1/4" | 13.18" | L06172 |



| Item No. | Part Description | Part Number |
|----------|---------------------------------------|--------------|
| 1 | Case, Volute | H01928 |
| 2 | Impeller | See Table I |
| 7 | Ring, Wearing | S04176 |
| 14 | Sleeve, Shaft | S18869 |
| 26 | Screw, Impeller 1/2 - 13 x 1-1/2" | S23623 |
| 32 | Key, 1/4 x 2-1/4" (See Note) | S23677 |
| 69 | Washer, Impeller | S06319 |
| 71 | Bracket | See Table II |
| 73A | Gasket, Volute Case | S06271 |
| 73B | Gasket, Balance Ring | S09943 |
| 89 | Seal, Mechanical Shaft | S32015 |
| 115 | Ring, Balance | M06646 |
| 800A | Capscrew, 5/8 - 11 x 1-1/2" (12 Req.) | S26999 |
| 800B | Capscrew, 1/2 - 13 x 1-1/2" (4 Req.) | S26916 |
| 800C | Capscrew, 3/8 - 16 x 1" (4 Req.) | S26826 |
| 805 | Washer, Lock | S23038 |
| 810 | Plug, Pipe 1/2 NPT (6 Req.) | S23717 |
| 815 | Ring, Retaining | S16767 |

TABLE II

| HP | PH | Bracket No. | "AK" Fit | "U" Dim. | Motor Frame |
|----|----|-------------|----------|----------|-------------|
| 15 | 3 | H03300 | 8-1/2" | 1-1/4" | 254JM |
| 20 | 3 | H03300 | 8-1/2" | 1-1/4" | 256JM |
| 25 | 3 | H03301 | 12-1/2" | 1-1/4" | 284JM |

NOTE: For an explanation of the tabulated material found on this page and for impeller key location, refer to *Supplement A* located at the beginning of this section.



TYPE "B" SINGLE STAGE CENTRIFUGAL PUMP Electric Motor Drive

| | |
|-------------------|-----------------|
| Section | CC |
| Page | 150.3 |
| Date | January 1, 2004 |
| Supersedes 9/1/97 | |

SILICON BRONZE IMPELLER

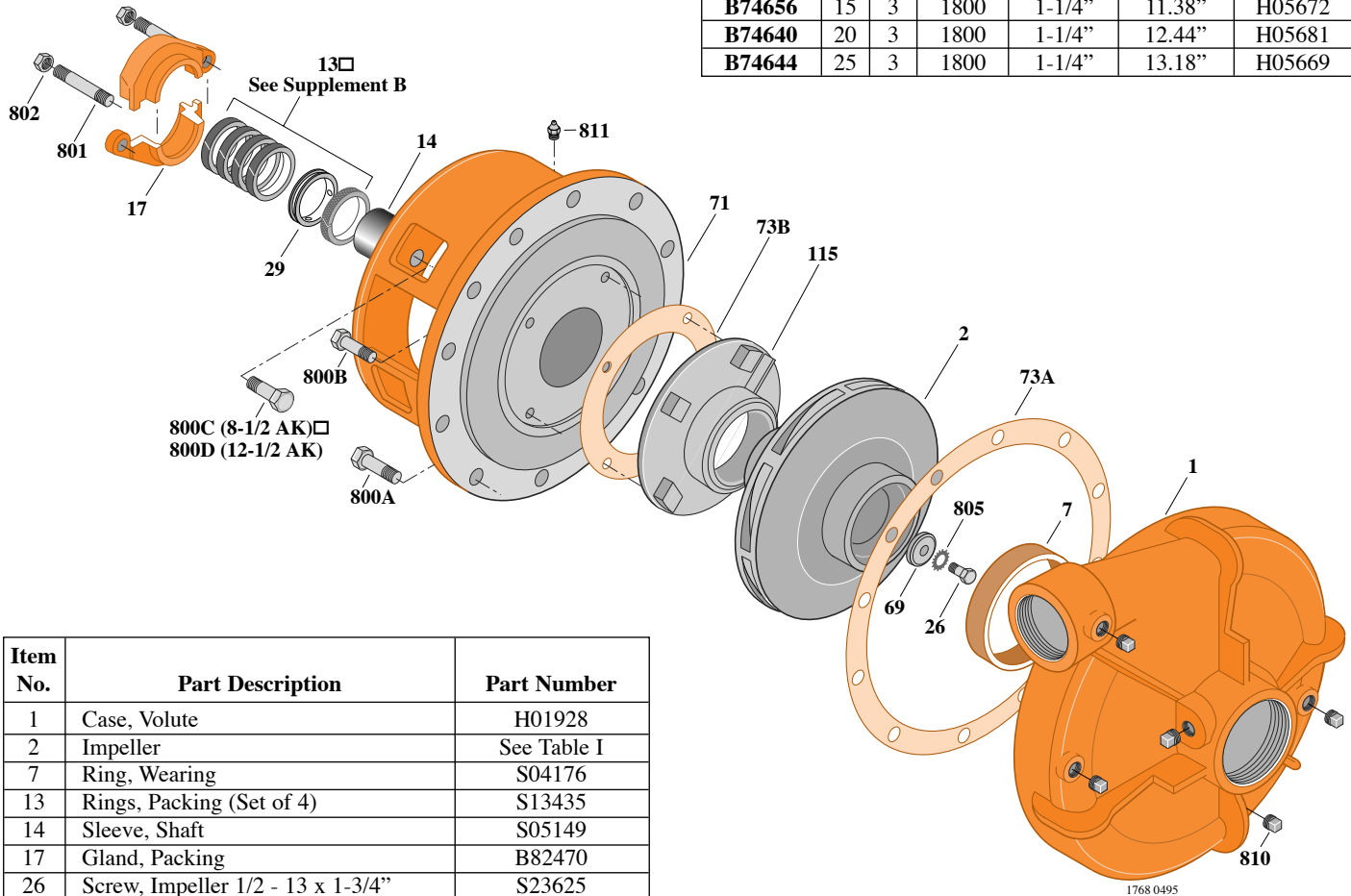
B2-1/2JPBM

Threaded Case (NPT)

Packing Construction

TABLE I

| B/M No. | HP | PH | RPM | "U" Dim. | Imp. Dia. | Imp. No. |
|---------|----|----|------|----------|-----------|----------|
| B74656 | 15 | 3 | 1800 | 1-1/4" | 11.38" | H05672 |
| B74640 | 20 | 3 | 1800 | 1-1/4" | 12.44" | H05681 |
| B74644 | 25 | 3 | 1800 | 1-1/4" | 13.18" | H05669 |



| Item No. | Part Description | Part Number |
|----------|---------------------------------------|--------------|
| 1 | Case, Volute | H01928 |
| 2 | Impeller | See Table I |
| 7 | Ring, Wearing | S04176 |
| 13 | Rings, Packing (Set of 4) | S13435 |
| 14 | Sleeve, Shaft | S05149 |
| 17 | Gland, Packing | B82470 |
| 26 | Screw, Impeller 1/2 - 13 x 1-3/4" | S23625 |
| 29 | Ring, Lantern | S19200 |
| 32 | Key, 1/4 x 2-1/4" (See Note) | S23677 |
| 69 | Washer, Impeller | S06319 |
| 71 | Bracket | See Table II |
| 73A | Gasket, Volute | S06271 |
| 73B | Gasket, Balance Ring | S09943 |
| 115 | Ring, Balance | M05115 |
| 800A | Capscrew, 5/8 - 11 x 1-1/2" (12 Req.) | S26999 |
| 800B | Capscrew, 3/8 - 16 x 1-1/2" (4 Req.) | S26830 |
| 800C | Capscrew, 1/2 - 13 x 1-1/2" (4 Req.) | S26916 |
| 800D | Capscrew, 5/8 - 11 x 1-1/2" (4 Req.) | S26999 |
| 801 | Stud, 3/8 - 16 x 2-1/2" (2 Req.) | S04438 |
| 802 | Nut, Hex 3/8 - 16 (2 Req.) | S23343 |
| 805 | Washer, Lock | S23038 |
| 810 | Plug, Pipe 1/2 NPT (6 Req.) | S23717 |
| 811 | Fitting, Grease | S23700 |

TABLE II

| HP | PH | Bracket No. | "AK" Fit | "U" Dim. | Motor Frame |
|----|----|-------------|----------|----------|-------------|
| 15 | 3 | H02384 | 8-1/2" | 1-1/4" | 254JP |
| 20 | 3 | H02384 | 8-1/2" | 1-1/4" | 256JP |
| 25 | 3 | H01601 | 12-1/2" | 1-1/4" | 284JP |

NOTE: For an explanation of the tabulated material found on this page and for impeller key location, refer to *Supplement A* located at the beginning of this section.



TYPE "B" SINGLE STAGE CENTRIFUGAL PUMP Electric Motor Drive

| | |
|-------------------|-----------------|
| Section | CC |
| Page | 150.4 |
| Date | January 1, 2004 |
| Supersedes 9/1/97 | |

SILICON BRONZE IMPELLER

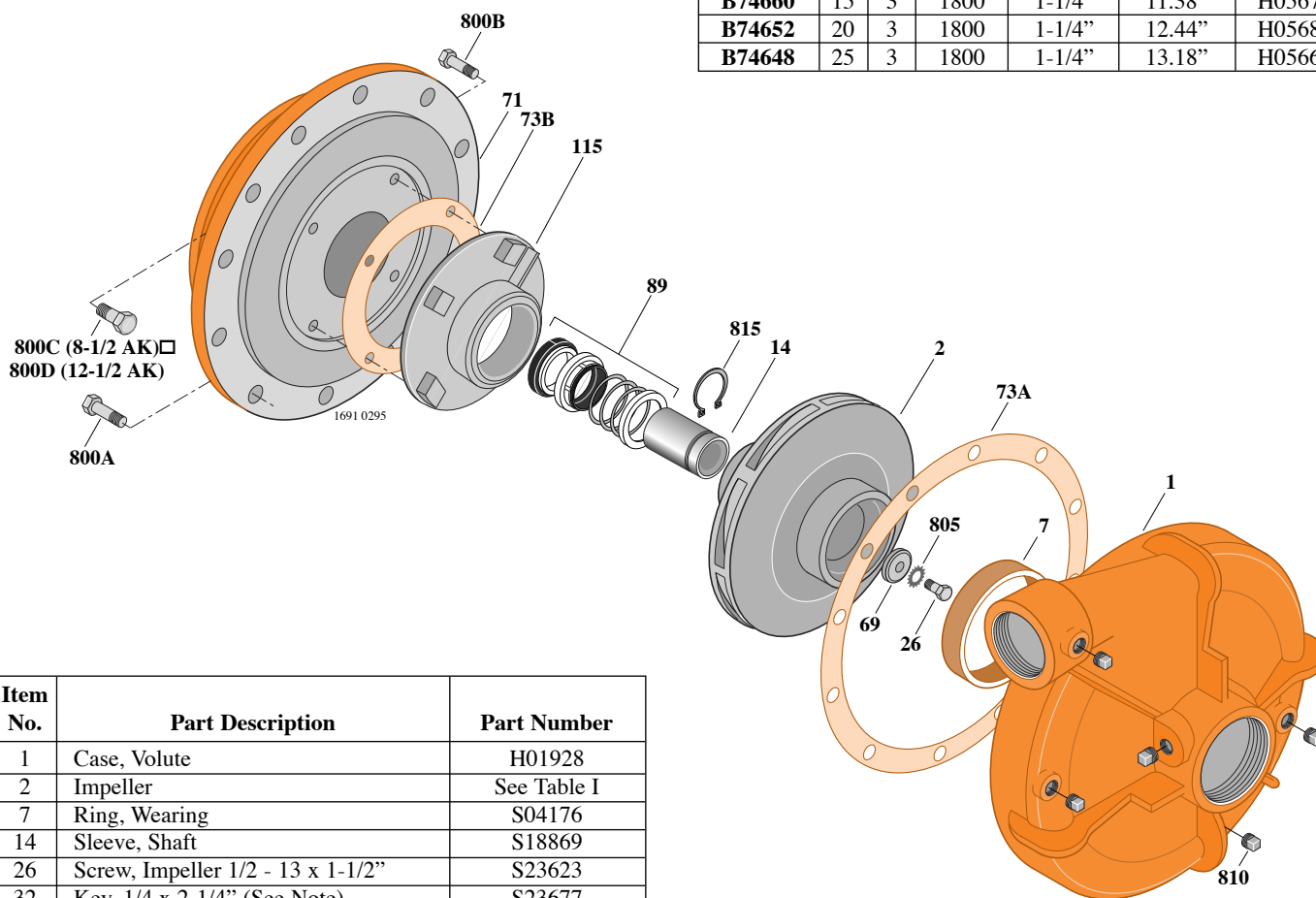
B2-1/2JPBMS

Threaded Case (NPT)

Mechanical Shaft Seal Construction

TABLE I

| B/M No. | HP | PH | RPM | "U" Dim. | Imp. Dia. | Imp. No. |
|---------------|----|----|------|----------|-----------|----------|
| B74660 | 15 | 3 | 1800 | 1-1/4" | 11.38" | H05672 |
| B74652 | 20 | 3 | 1800 | 1-1/4" | 12.44" | H05681 |
| B74648 | 25 | 3 | 1800 | 1-1/4" | 13.18" | H05669 |



| Item No. | Part Description | Part Number |
|----------|---------------------------------------|--------------|
| 1 | Case, Volute | H01928 |
| 2 | Impeller | See Table I |
| 7 | Ring, Wearing | S04176 |
| 14 | Sleeve, Shaft | S18869 |
| 26 | Screw, Impeller 1/2 - 13 x 1-1/2" | S23623 |
| 32 | Key, 1/4 x 2-1/4" (See Note) | S23677 |
| 69 | Washer, Impeller | S06319 |
| 71 | Bracket | See Table II |
| 73A | Gasket, Volute Case | S06271 |
| 73B | Gasket, Balance Ring | S09943 |
| 89 | Seal, Mechanical Shaft | S32015 |
| 115 | Ring, Balance | M06646 |
| 800A | Capscrew, 5/8 - 11 x 1-1/2" (12 Req.) | S26999 |
| 800B | Capscrew, 3/8 - 16 x 1" (4 Req.) | S26826 |
| 800C | Capscrew, 1/2 - 13 x 1-1/2" (4 Req.) | S26916 |
| 800D | Capscrew, 5/8 - 11 x 1-1/2" (4 Req.) | S26999 |
| 805 | Washer, Lock | S23038 |
| 810 | Plug, Pipe 1/2" NPT (6 Req.) | S23717 |
| 815 | Ring, Retaining | S16767 |
| • | Plug, Pipe 1/8" NPT (In Bracket) | S23714 |

• Not illustrated.

TABLE II

| HP | PH | Bracket No. | "AK" Fit | "U" Dim. | Motor Frame |
|----|----|-------------|----------|----------|-------------|
| 15 | 3 | H03300 | 8-1/2" | 1-1/4" | 254JM |
| 20 | 3 | H03300 | 8-1/2" | 1-1/4" | 256JM |
| 25 | 3 | H03301 | 12-1/2" | 1-1/4" | 284JM |

NOTE: For an explanation of the tabulated material found on this page and for impeller key location, refer to *Supplement A* located at the beginning of this section.

NOTE: For seal flush line details, see *Supplement D*.



TYPE "B" SINGLE STAGE CENTRIFUGAL PUMP Electric Motor Drive

| | |
|-------------------|-----------------|
| Section | CC |
| Page | 160.1 |
| Date | January 1, 2004 |
| Supersedes 6/1/95 | |

CAST IRON IMPELLER

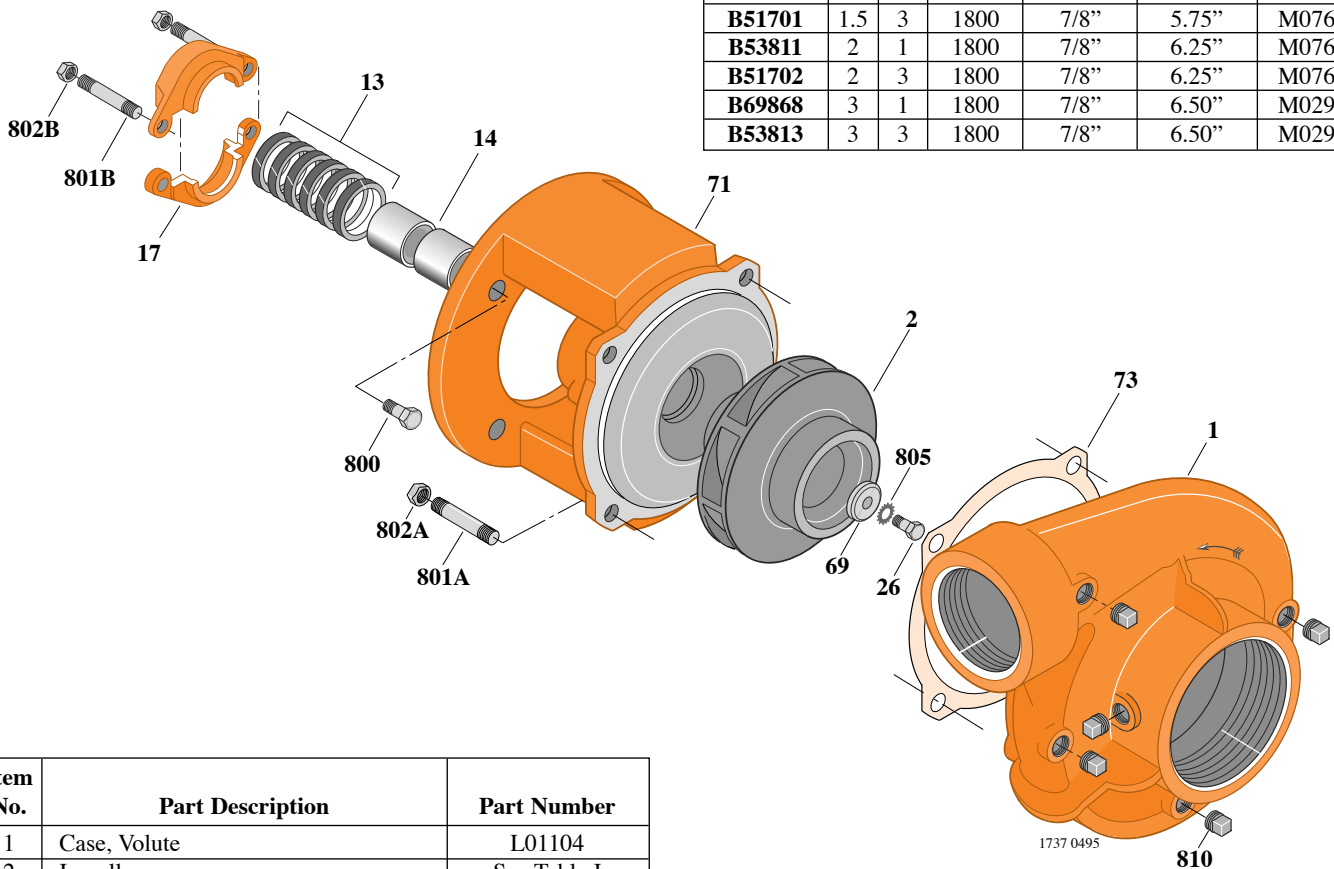
B3TPM

Threaded Case (NPT)

Packing Construction

TABLE I

| B/M No. | HP | PH | RPM | "U" Dim. | Imp. Dia. | Imp. No. |
|---------------|-----|----|------|----------|-----------|----------|
| B51696 | 1 | 1 | 1800 | 7/8" | 5.12" | M07652 |
| B51700 | 1 | 3 | 1800 | 7/8" | 5.12" | M07652 |
| B51697 | 1.5 | 1 | 1800 | 7/8" | 5.75" | M07653 |
| B51701 | 1.5 | 3 | 1800 | 7/8" | 5.75" | M07653 |
| B53811 | 2 | 1 | 1800 | 7/8" | 6.25" | M07654 |
| B51702 | 2 | 3 | 1800 | 7/8" | 6.25" | M07654 |
| B69868 | 3 | 1 | 1800 | 7/8" | 6.50" | M02959 |
| B53813 | 3 | 3 | 1800 | 7/8" | 6.50" | M02959 |



| Item No. | Part Description | Part Number |
|----------|------------------------------------|--------------|
| 1 | Case, Volute | L01104 |
| 2 | Impeller | See Table I |
| 13 | Rings, Packing (Set of 6) | S13469 |
| 14 | Sleeve, Shaft (2 Req.) | S00619 |
| 17 | Gland, Packing | B82469 |
| 26 | Screw, Impeller 3/8 - 16 x 1" | S23566 |
| 32 | Key, 3/16 x 1-1/4" (See Note) | S34383 |
| 69 | Washer, Impeller | S06314 |
| 71 | Bracket | See Table II |
| 73 | Gasket, Volute | S04757 |
| 800 | Capscrew, 3/8 - 16 x 7/8" (4 Req.) | S26825 |
| 801A | Stud, 1/2 - 13 x 1-1/2" (4 Req.) | S24043 |
| 801B | Stud, 3/8 - 16 x 4" (2 Req.) | S08303 |
| 802A | Nut, Hex 1/2 - 13 (4 Req.) | S23107 |
| 802B | Nut, Hex 3/8 - 16 (2 Req.) | S23343 |
| 805 | Washer, Lock | S23706 |
| 810 | Plug, Pipe 1/4 NPT (5 Req.) | S23715 |

TABLE II

| HP | PH | Bracket No. | "AK" Fit | "U" Dim. | Motor Frame |
|-----|----|-------------|----------|----------|-------------|
| 1 | 1 | L01525 | 4-1/2" | 7/8" | 143JP |
| 1 | 3 | L01525 | 4-1/2" | 7/8" | 143JP |
| 1.5 | 1 | L01525 | 4-1/2" | 7/8" | 145JP |
| 1.5 | 3 | L01525 | 4-1/2" | 7/8" | 145JP |
| 2 | 1 | L01525 | 4-1/2" | 7/8" | 182JP |
| 2 | 3 | L01525 | 4-1/2" | 7/8" | 145JP |
| 3 | 1 | L01525 | 4-1/2" | 7/8" | 184JP |
| 3 | 3 | L01525 | 4-1/2" | 7/8" | 182JP |

NOTE: For an explanation of the tabulated material found on this page and for impeller key location, refer to *Supplement A* located at the beginning of this section.



TYPE "B" SINGLE STAGE CENTRIFUGAL PUMP Electric Motor Drive

| | |
|-------------------|-----------------|
| Section | CC |
| Page | 160.2 |
| Date | January 1, 2004 |
| Supersedes 6/1/95 | |

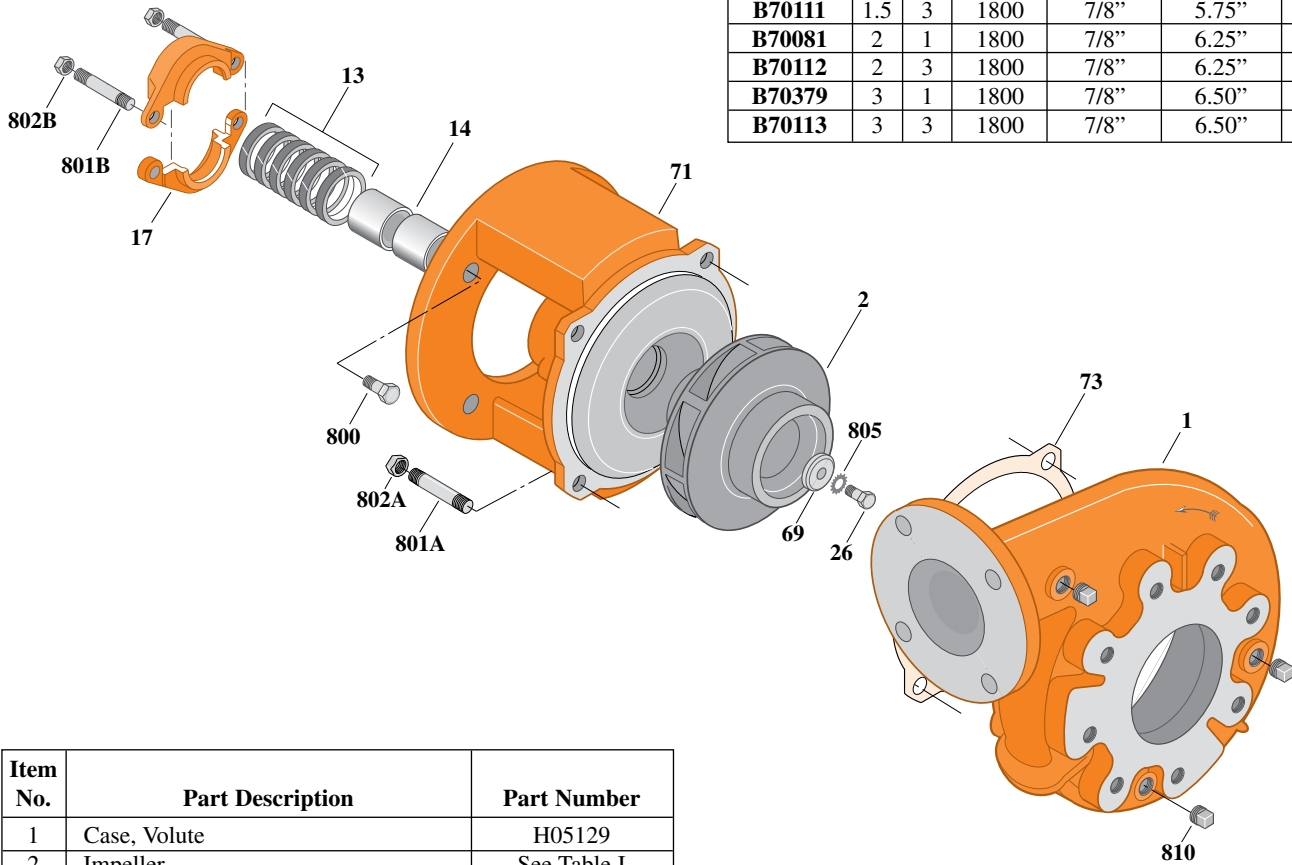
CAST IRON IMPELLER B3TPM

Flanged Case

Packing Construction

TABLE I

| B/M No. | HP | PH | RPM | "U" Dim. | Imp. Dia. | Imp. No. |
|---------------|-----|----|------|----------|-----------|----------|
| B70074 | 1 | 1 | 1800 | 7/8" | 5.12" | M07652 |
| B70110 | 1 | 3 | 1800 | 7/8" | 5.12" | M07652 |
| B70078 | 1.5 | 1 | 1800 | 7/8" | 5.75" | M07653 |
| B70111 | 1.5 | 3 | 1800 | 7/8" | 5.75" | M07653 |
| B70081 | 2 | 1 | 1800 | 7/8" | 6.25" | M07654 |
| B70112 | 2 | 3 | 1800 | 7/8" | 6.25" | M07654 |
| B70379 | 3 | 1 | 1800 | 7/8" | 6.50" | M02959 |
| B70113 | 3 | 3 | 1800 | 7/8" | 6.50" | M02959 |



| Item No. | Part Description | Part Number |
|----------|------------------------------------|--------------|
| 1 | Case, Volute | H05129 |
| 2 | Impeller | See Table I |
| 13 | Rings, Packing (Set of 6) | S13469 |
| 14 | Sleeve, Shaft (2 Req.) | S00619 |
| 17 | Gland, Packing | B82469 |
| 26 | Screw, Impeller 3/8 - 16 x 1" | S23566 |
| 32 | Key, 3/16 x 1-1/4" (See Note) | S34383 |
| 69 | Washer, Impeller | S06314 |
| 71 | Bracket | See Table II |
| 73 | Gasket, Volute | S04757 |
| 800 | Capscrew, 3/8 - 16 x 7/8" (4 Req.) | S26825 |
| 801A | Stud, 1/2 - 13 x 1-1/2" (4 Req.) | S24043 |
| 801B | Stud, 3/8 - 16 x 4" (2 Req.) | S08303 |
| 802A | Nut, Hex 1/2 - 13 (4 Req.) | S23107 |
| 802B | Nut, Hex 3/8 - 16 (2 Req.) | S23343 |
| 805 | Washer, Lock | S23036 |
| 810 | Plug, Pipe 1/4 NPT | S23715 |

TABLE II

| HP | PH | Bracket No. | "AK" Fit | "U" Dim. | Motor Frame |
|-----|----|-------------|----------|----------|-------------|
| 1 | 1 | L01525 | 4-1/2" | 7/8" | 143JP |
| 1 | 3 | L01525 | 4-1/2" | 7/8" | 143JP |
| 1.5 | 1 | L01525 | 4-1/2" | 7/8" | 145JP |
| 1.5 | 3 | L01525 | 4-1/2" | 7/8" | 145JP |
| 2 | 1 | L01525 | 4-1/2" | 7/8" | 182JP |
| 2 | 3 | L01525 | 4-1/2" | 7/8" | 145JP |
| 3 | 1 | L01525 | 4-1/2" | 7/8" | 184JP |
| 3 | 3 | L01525 | 4-1/2" | 7/8" | 182JP |

NOTE: For an explanation of the tabulated material found on this page and for impeller key location, refer to **Supplement A** located at the beginning of this section.



TYPE "B" SINGLE STAGE CENTRIFUGAL PUMP Electric Motor Drive

| | |
|-------------------|-----------------|
| Section | CC |
| Page | 160.3 |
| Date | January 1, 2004 |
| Supersedes 6/1/95 | |

CAST IRON IMPELLER

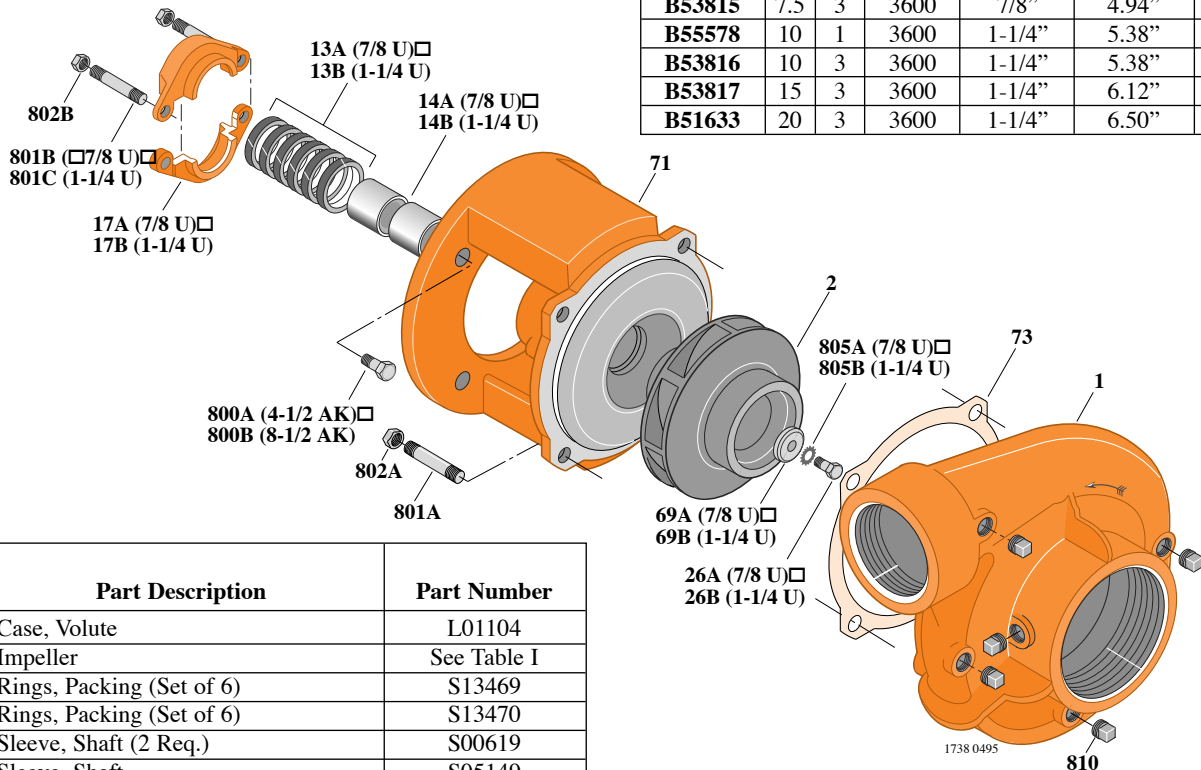
B3TPM

Threaded Case (NPT)

Packing Construction

TABLE I

| B/M No. | HP | PH | RPM | "U" Dim. | Imp. Dia. | Imp. No. |
|---------------|-----|----|------|----------|-----------|----------|
| B53814 | 7.5 | 1 | 3600 | 1-1/4" | 4.94" | M07647 |
| B53815 | 7.5 | 3 | 3600 | 7/8" | 4.94" | M07651 |
| B55578 | 10 | 1 | 3600 | 1-1/4" | 5.38" | M07648 |
| B53816 | 10 | 3 | 3600 | 1-1/4" | 5.38" | M07648 |
| B53817 | 15 | 3 | 3600 | 1-1/4" | 6.12" | M07649 |
| B51633 | 20 | 3 | 3600 | 1-1/4" | 6.50" | M02960 |



| Item No. | Part Description | Part Number |
|----------|------------------------------------|--------------|
| 1 | Case, Volute | L01104 |
| 2 | Impeller | See Table I |
| 13A | Rings, Packing (Set of 6) | S13469 |
| 13B | Rings, Packing (Set of 6) | S13470 |
| 14A | Sleeve, Shaft (2 Req.) | S00619 |
| 14B | Sleeve, Shaft | S05149 |
| 17A | Gland, Packing | B82469 |
| 17B | Gland, Packing | B82470 |
| 26A | Screw, Impeller 3/8 - 16 x 1" | S23566 |
| 26B | Screw, Impeller 1/2 - 13 x 1" | S23619 |
| 32A | Key, 3/16 x 1-1/4" (See Note) | S34383 |
| 32B | Key, 1/4 x 2-1/4" (See Note) | S23677 |
| 69A | Washer, Impeller | S06314 |
| 69B | Washer, Impeller | S06319 |
| 71 | Bracket | See Table II |
| 73 | Gasket, Volute | S04757 |
| 800A | Capscrew, 3/8 - 16 x 7/8" (4 Req.) | S26825 |
| 800B | Capscrew, 1/2 - 13 x 1" (4 Req.) | S26912 |
| 801A | Stud, 1/2 - 13 x 1-1/2" (4 Req.) | S23043 |
| 801B | Stud, 3/8 - 16 x 4" (2 Req.) | S08303 |
| 801C | Stud, 3/8 - 16 x 3-1/2" (2 Req.) | S04441 |
| 802A | Nut, Hex 1/2 - 13 (4 Req.) | S23107 |
| 802B | Nut, Hex 3/8 - 16 (2 Req.) | S23343 |
| 805A | Washer, Lock | S23036 |
| 805B | Washer, Lock | S23038 |
| 810 | Plug, Pipe 1/4 NPT (5 Req.) | S23715 |

TABLE II

| HP | PH | Bracket No. | "AK" Fit | "U" Dim. | Motor Frame |
|-----|----|-------------|----------|----------|-------------|
| 7.5 | 1 | L01951 | 8-1/2" | 1-1/4" | 213JP |
| 7.5 | 3 | L01525 | 4-1/2" | 7/8" | 184JP |
| 10 | 1 | L01951 | 8-1/2" | 1-1/4" | 215JP |
| 10 | 3 | L01951 | 8-1/2" | 1-1/4" | 213JP |
| 15 | 3 | L01951 | 8-1/2" | 1-1/4" | 215JP |
| 20 | 3 | L01951 | 8-1/2" | 1-1/4" | 254JP |

NOTE: For an explanation of the tabulated material found on this page and for impeller key location, refer to *Supplement A* located at the beginning of this section.



TYPE "B" SINGLE STAGE CENTRIFUGAL PUMP Electric Motor Drive

| | |
|-------------------|-----------------|
| Section | CC |
| Page | 160.4 |
| Date | January 1, 2004 |
| Supersedes 6/1/95 | |

CAST IRON IMPELLER

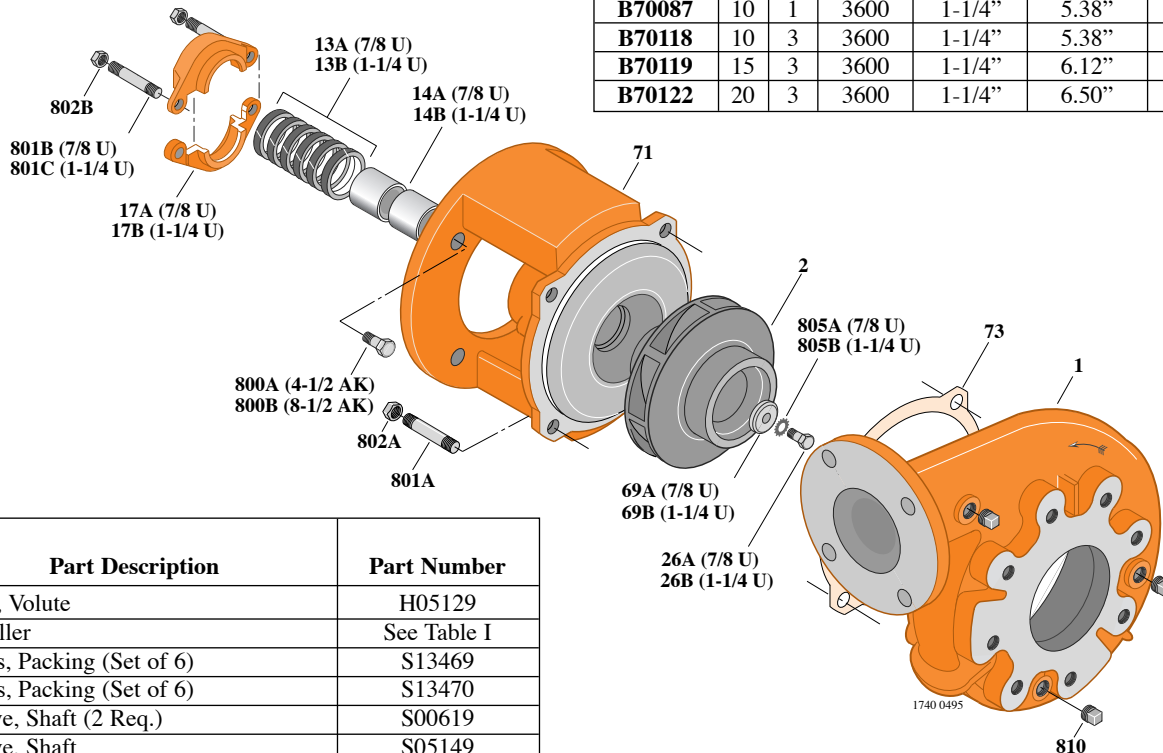
B3TPM

Flanged Case

Packing Construction

TABLE I

| B/M No. | HP | PH | RPM | "U" Dim. | Imp. Dia. | Imp. No. |
|---------------|-----|----|------|----------|-----------|----------|
| B70084 | 7.5 | 1 | 3600 | 1-1/4" | 4.94" | M07647 |
| B70116 | 7.5 | 3 | 3600 | 7/8" | 4.94" | M07651 |
| B70087 | 10 | 1 | 3600 | 1-1/4" | 5.38" | M07648 |
| B70118 | 10 | 3 | 3600 | 1-1/4" | 5.38" | M07648 |
| B70119 | 15 | 3 | 3600 | 1-1/4" | 6.12" | M07649 |
| B70122 | 20 | 3 | 3600 | 1-1/4" | 6.50" | M02960 |



| Item No. | Part Description | Part Number |
|----------|------------------------------------|--------------|
| 1 | Case, Volute | H05129 |
| 2 | Impeller | See Table I |
| 13A | Rings, Packing (Set of 6) | S13469 |
| 13B | Rings, Packing (Set of 6) | S13470 |
| 14A | Sleeve, Shaft (2 Req.) | S00619 |
| 14B | Sleeve, Shaft | S05149 |
| 17A | Gland, Packing | B82469 |
| 17B | Gland, Packing | B82470 |
| 26A | Screw, Impeller 3/8 - 16 x 1" | S23566 |
| 26B | Screw, Impeller 1/2 - 13 x 1" | S23619 |
| 32A | Key, 3/16 x 1-1/4" (See Note) | S34383 |
| 32B | Key, 1/4 x 2-1/4" (See Note) | S23677 |
| 69A | Washer, Impeller | S06314 |
| 69B | Washer, Impeller | S06919 |
| 71 | Bracket | See Table II |
| 73 | Gasket, Volute | S04757 |
| 800A | Capscrew, 3/8 - 16 x 7/8" (4 Req.) | S26825 |
| 800B | Capscrew, 1/2 - 13 x 1" (4 Req.) | S26912 |
| 801A | Stud, 1/2 - 13 x 1-1/2" (4 Req.) | S24043 |
| 801B | Stud, 3/8 - 16 x 4" (2 Req.) | S08303 |
| 801C | Stud, 3/8 - 16 x 3-1/2" (2 Req.) | S04441 |
| 802A | Nut, Hex 1/2 - 13 (4 Req.) | S23107 |
| 802B | Nut, Hex 3/8 - 16 (2 Req.) | S23343 |
| 805A | Washer, Lock | S23036 |
| 805B | Washer, Lock | S23038 |
| 810 | Plug, Pipe 1/4 NPT (5 Req.) | S23715 |

TABLE II

| HP | PH | Bracket No. | "AK" Fit | "U" Dim. | Motor Frame |
|-----|----|-------------|----------|----------|-------------|
| 7.5 | 1 | L01951 | 8-1/2" | 1-1/4" | 213JP |
| 7.5 | 3 | L01525 | 4-1/2" | 7/8" | 184JP |
| 10 | 1 | L01951 | 8-1/2" | 1-1/4" | 215JP |
| 10 | 3 | L01951 | 8-1/2" | 1-1/4" | 213JP |
| 15 | 3 | L01951 | 8-1/2" | 1-1/4" | 215JP |
| 20 | 3 | L01951 | 8-1/2" | 1-1/4" | 254JP |

NOTE: For an explanation of the tabulated material found on this page and for impeller key location, refer to *Supplement A* located at the beginning of this section.



TYPE "B" SINGLE STAGE CENTRIFUGAL PUMP Electric Motor Drive

| | |
|-------------------|-----------------|
| Section | CC |
| Page | 160.5 |
| Date | January 1, 2004 |
| Supersedes 6/1/95 | |

CAST IRON IMPELLER

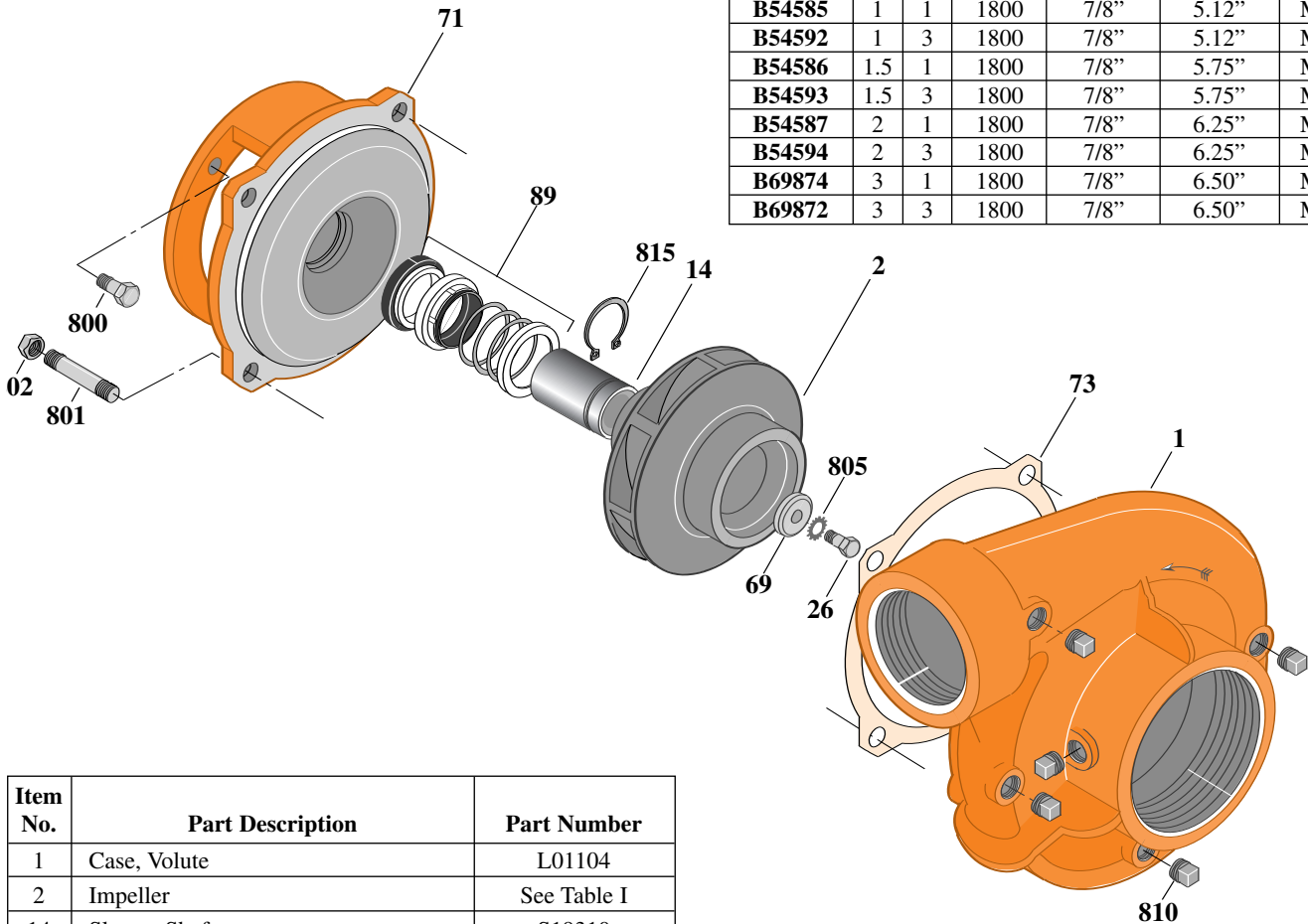
B3TPMS

Threaded Case (NPT)

Mechanical Shaft Seal Construction

TABLE I

| B/M No. | HP | PH | RPM | "U" Dim. | Imp. Dia. | Imp. No. |
|---------|-----|----|------|----------|-----------|----------|
| B54585 | 1 | 1 | 1800 | 7/8" | 5.12" | M07652 |
| B54592 | 1 | 3 | 1800 | 7/8" | 5.12" | M07652 |
| B54586 | 1.5 | 1 | 1800 | 7/8" | 5.75" | M07653 |
| B54593 | 1.5 | 3 | 1800 | 7/8" | 5.75" | M07653 |
| B54587 | 2 | 1 | 1800 | 7/8" | 6.25" | M07654 |
| B54594 | 2 | 3 | 1800 | 7/8" | 6.25" | M07654 |
| B69874 | 3 | 1 | 1800 | 7/8" | 6.50" | M02959 |
| B69872 | 3 | 3 | 1800 | 7/8" | 6.50" | M02959 |



| Item No. | Part Description | Part Number |
|----------|--|--------------|
| 1 | Case, Volute | L01104 |
| 2 | Impeller | See Table I |
| 14 | Sleeve, Shaft | S19310 |
| 26 | Screw, Impeller 3/8 - 16 x 1" | S23566 |
| 32 | Key, 3/16 x 1-1/4" (See Note) | S34383 |
| 69 | Washer, Impeller | S06314 |
| 71 | Bracket | See Table II |
| 73 | Gasket, Volute | S04757 |
| 89 | Seal, Mechanical Shaft | S32014 |
| 800 | Capscrew, 3/8 - 16 x 1" (4 Req.) (For 4-1/2 AK) | S26826 |
| 801 | Stud, 1/2 - 13 x 1-1/2" (4 Req.) | S24043 |
| 802 | Nut, 1/2 - 13 (4 Req.) | S23107 |
| 805 | Washer, Lock | S23036 |
| 810 | Plug, Pipe 1/4 NPT (5 Req.) | S23715 |
| 815 | Ring, Retaining | S11207 |

TABLE II

| HP | PH | Bracket No. | "AK" Fit | "U" Dim. | Motor Frame |
|-----|----|-------------|----------|----------|-------------|
| 1 | 1 | L05329 | 4-1/2" | 7/8" | 143JM |
| 1 | 3 | L05329 | 4-1/2" | 7/8" | 143JM |
| 1.5 | 1 | L05329 | 4-1/2" | 7/8" | 145JM |
| 1.5 | 3 | L05329 | 4-1/2" | 7/8" | 145JM |
| 2 | 1 | L05329 | 4-1/2" | 7/8" | 182JM |
| 2 | 3 | L05329 | 4-1/2" | 7/8" | 145JM |
| 3 | 1 | L05329 | 4-1/2" | 7/8" | 184JM |
| 3 | 3 | L05329 | 4-1/2" | 7/8" | 182JM |

NOTE: For an explanation of the tabulated material found on this page and for impeller key location, refer to *Supplement A* located at the beginning of this section.



TYPE "B" SINGLE STAGE CENTRIFUGAL PUMP Electric Motor Drive

| | |
|-------------------|--------------|
| Section | CC |
| Page | 160.6 |
| Date | May 15, 2009 |
| Supersedes 1/1/04 | |

CAST IRON IMPELLER

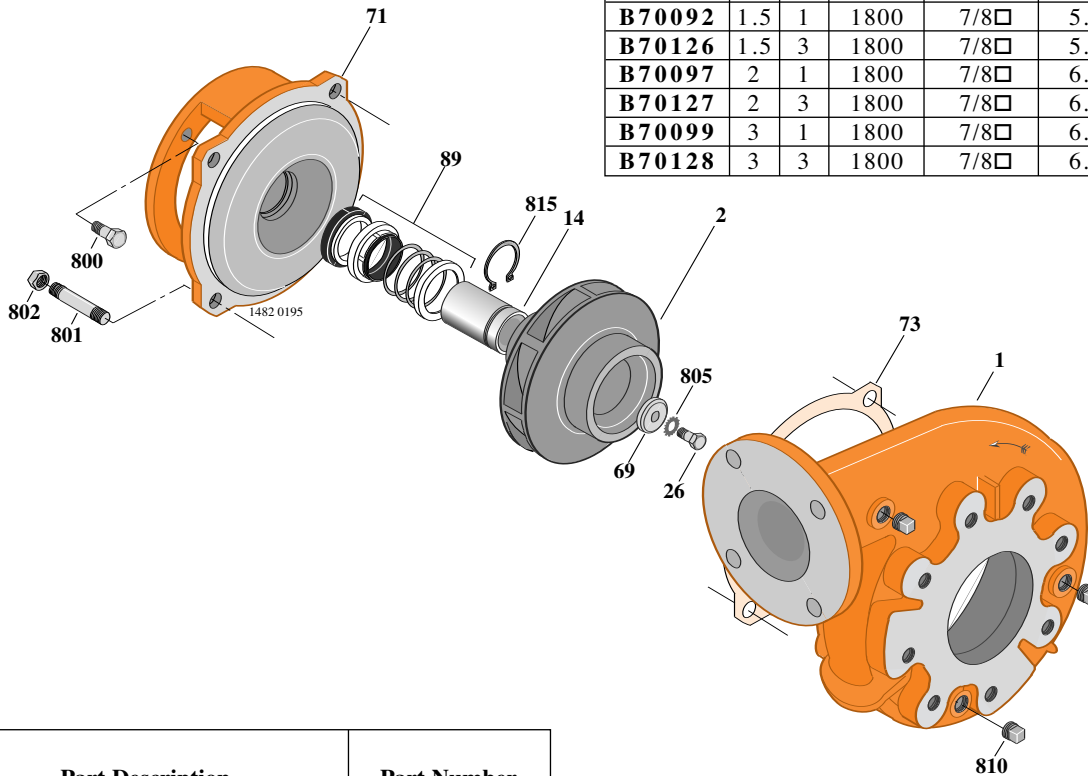
B3TPMS

Flanged Case

Mechanical Shaft Seal Construction

TABLE I

| B/M No. | HP | PH | RPM | "U" Dim. | Imp. Dia. | Imp. No. |
|---------------|-----|----|------|----------|-----------|----------|
| B70090 | 1 | 1 | 1800 | 7/8□ | 5.12□ | M07652 |
| B70125 | 1 | 3 | 1800 | 7/8□ | 5.12□ | M07652 |
| B70092 | 1.5 | 1 | 1800 | 7/8□ | 5.75□ | M07653 |
| B70126 | 1.5 | 3 | 1800 | 7/8□ | 5.75□ | M07653 |
| B70097 | 2 | 1 | 1800 | 7/8□ | 6.25□ | M07654 |
| B70127 | 2 | 3 | 1800 | 7/8□ | 6.25□ | M07654 |
| B70099 | 3 | 1 | 1800 | 7/8□ | 6.50□ | M02959 |
| B70128 | 3 | 3 | 1800 | 7/8□ | 6.50□ | M02959 |



| Item No. | Part Description | Part Number |
|----------|---|--------------|
| 1 | Case, Volute | H05129 |
| 2 | Impeller | See Table I |
| 14 | Sleeve, Shaft (See Note 2) | S19310L |
| 26 | Screw, Impeller 3/8 - 16 x 1□ | S23566 |
| 32 | Key, 3/16 x 1-1/4□(See Note 1) | S34383 |
| 69 | Washer, Impeller | S06314 |
| 71 | Bracket | See Table II |
| 73 | Gasket, Volute | S04757 |
| 89 | Seal, Mechanical Shaft | S32014 |
| 800 | Capscrew, 3/8 - 16 x 1□(4 Req.) (For 4-1/2 AK) | S26826 |
| 801 | Stud, 1/2 - 13 x 1-1/2□(4 Req.) | S24043 |
| 802 | Nut, 1/2 - 13 (4 Req.) | S23107 |
| 805 | Washer, Lock | S23036 |
| 810 | Plug, Pipe 1/4 NPT (5 Req.) | S23715 |
| 815 | Ring, Retaining | S11207 |

TABLE II

| HP | PH | Bracket No. | "AK" Fit | "U" Dim. | Motor Frame |
|-----|----|-------------|----------|----------|-------------|
| 1 | 1 | L05329 | 4-1/2□ | 7/8□ | 143JM |
| 1 | 3 | L05329 | 4-1/2□ | 7/8□ | 143JM |
| 1.5 | 1 | L05329 | 4-1/2□ | 7/8□ | 145JM |
| 1.5 | 3 | L05329 | 4-1/2□ | 7/8□ | 145JM |
| 2 | 1 | L05329 | 4-1/2□ | 7/8□ | 182JM |
| 2 | 3 | L05329 | 4-1/2□ | 7/8□ | 145JM |
| 3 | 1 | L05329 | 4-1/2□ | 7/8□ | 184JM |
| 3 | 3 | L05329 | 4-1/2□ | 7/8□ | 182JM |

NOTE 1: For an explanation of the tabulated material found on this page and for impeller key location, refer to *Supplement A* located at the beginning of this section.

NOTE 2: Sleeve replacement kit available. Berkeley part number B85681 includes the shaft sleeve, adhesive compound and instruction sheet.



TYPE "B" SINGLE STAGE CENTRIFUGAL PUMP Electric Motor Drive

| | |
|-------------------|--------------|
| Section | CC |
| Page | 160.7 |
| Date | May 15, 2009 |
| Supersedes 1/1/04 | |

CAST IRON IMPELLER

B3TPMS

Threaded Case (NPT)

Mechanical Shaft Seal Construction

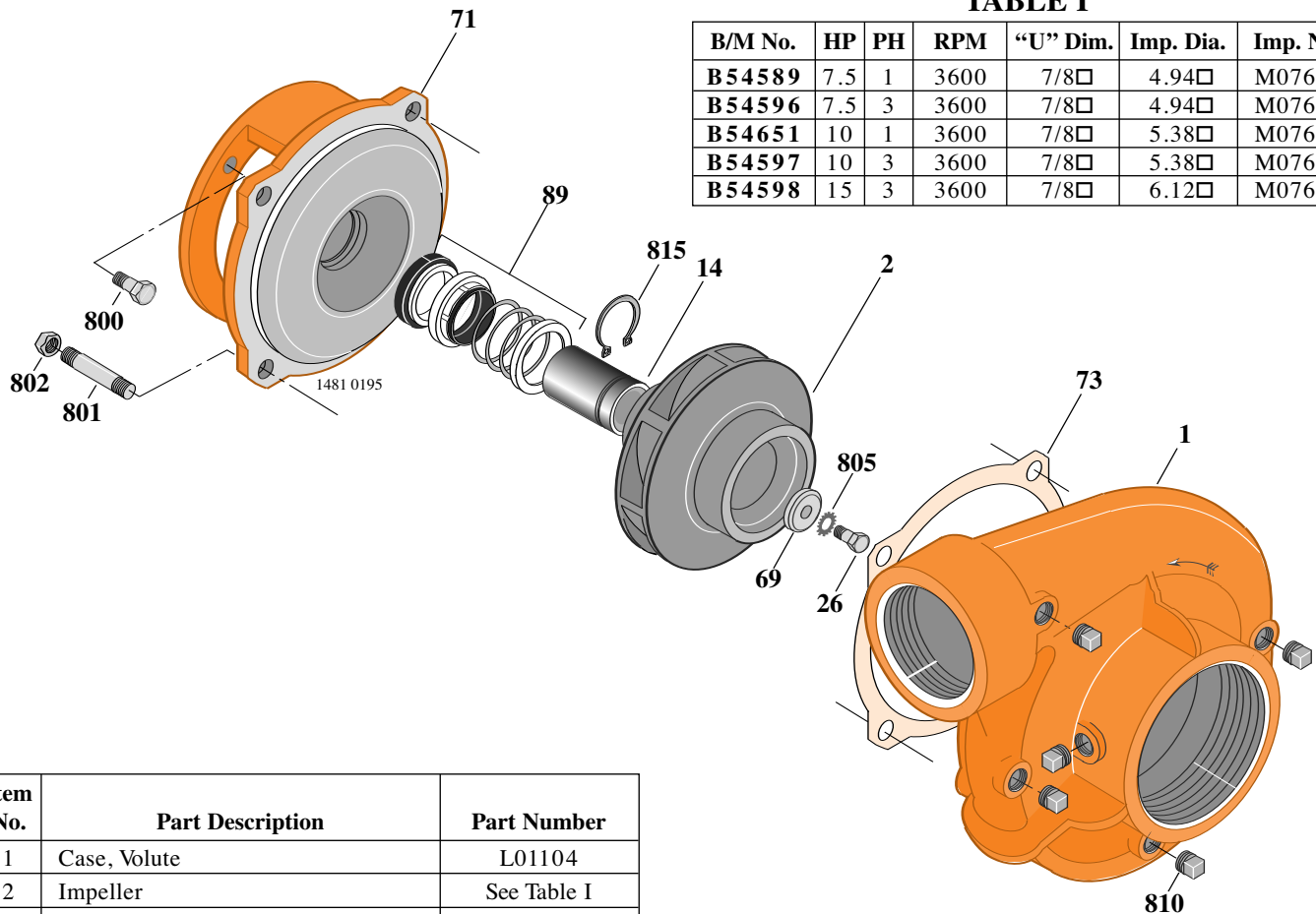


TABLE I

| B/M No. | HP | PH | RPM | "U" Dim. | Imp. Dia. | Imp. No. |
|---------------|-----|----|------|----------|-----------|----------|
| B54589 | 7.5 | 1 | 3600 | 7/8□ | 4.94□ | M07651 |
| B54596 | 7.5 | 3 | 3600 | 7/8□ | 4.94□ | M07651 |
| B54651 | 10 | 1 | 3600 | 7/8□ | 5.38□ | M07684 |
| B54597 | 10 | 3 | 3600 | 7/8□ | 5.38□ | M07684 |
| B54598 | 15 | 3 | 3600 | 7/8□ | 6.12□ | M07685 |

| Item No. | Part Description | Part Number |
|----------|---|--------------|
| 1 | Case, Volute | L01104 |
| 2 | Impeller | See Table I |
| 14 | Sleeve, Shaft (See Note 2) | S19310L |
| 26 | Screw, Impeller 3/8 - 16 x 1□ | S23566 |
| 32 | Key, 3/16 x 1-1/4□(See Note 1) | S34383 |
| 69 | Washer, Impeller | S06314 |
| 71 | Bracket | See Table II |
| 73 | Gasket, Volute | S04757 |
| 89 | Seal, Mechanical Shaft | S32014 |
| 800 | Capscrew, 3/8 - 16 x 1□(4 Req.) (For 4-1/2 AK) | S26826 |
| 800 | Capscrew, 1/2 - 13 x 1□(4 Req.) (For 8-1/2 AK) | S26912 |
| 801 | Stud, 1/2 - 13 x 1-1/2□(4 Req.) | S24043 |
| 802 | Nut, 1/2 - 13 (4 Req.) | S23107 |
| 805 | Washer, Lock | S23036 |
| 810 | Plug, Pipe 1/4 NPT (5 Req.) | S23715 |
| 815 | Ring, Retaining | S11207 |

TABLE II

| HP | PH | Bracket No. | "AK" Fit | "U" Dim. | Motor Frame |
|-----|----|-------------|----------|----------|-------------|
| 7.5 | 1 | L05328 | 8-1/2□ | 7/8□ | 213JM |
| 7.5 | 3 | L05329 | 4-1/2□ | 7/8□ | 184JM |
| 10 | 1 | L05328 | 8-1/2□ | 7/8□ | 215JM |
| 10 | 3 | L05328 | 8-1/2□ | 7/8□ | 213JM |
| 15 | 3 | L05328 | 8-1/2□ | 7/8□ | 215JM |

NOTE 1: For an explanation of the tabulated material found on this page and for impeller key location, refer to *Supplement A* located at the beginning of this section.

NOTE 2: Sleeve replacement kit available. Berkeley part number B85681 includes the shaft sleeve, adhesive compound and instruction sheet.



TYPE "B" SINGLE STAGE CENTRIFUGAL PUMP Electric Motor Drive

| | |
|-------------------|-----------------|
| Section | CC |
| Page | 160.8 |
| Date | January 1, 2004 |
| Supersedes 6/1/95 | |

CAST IRON IMPELLER

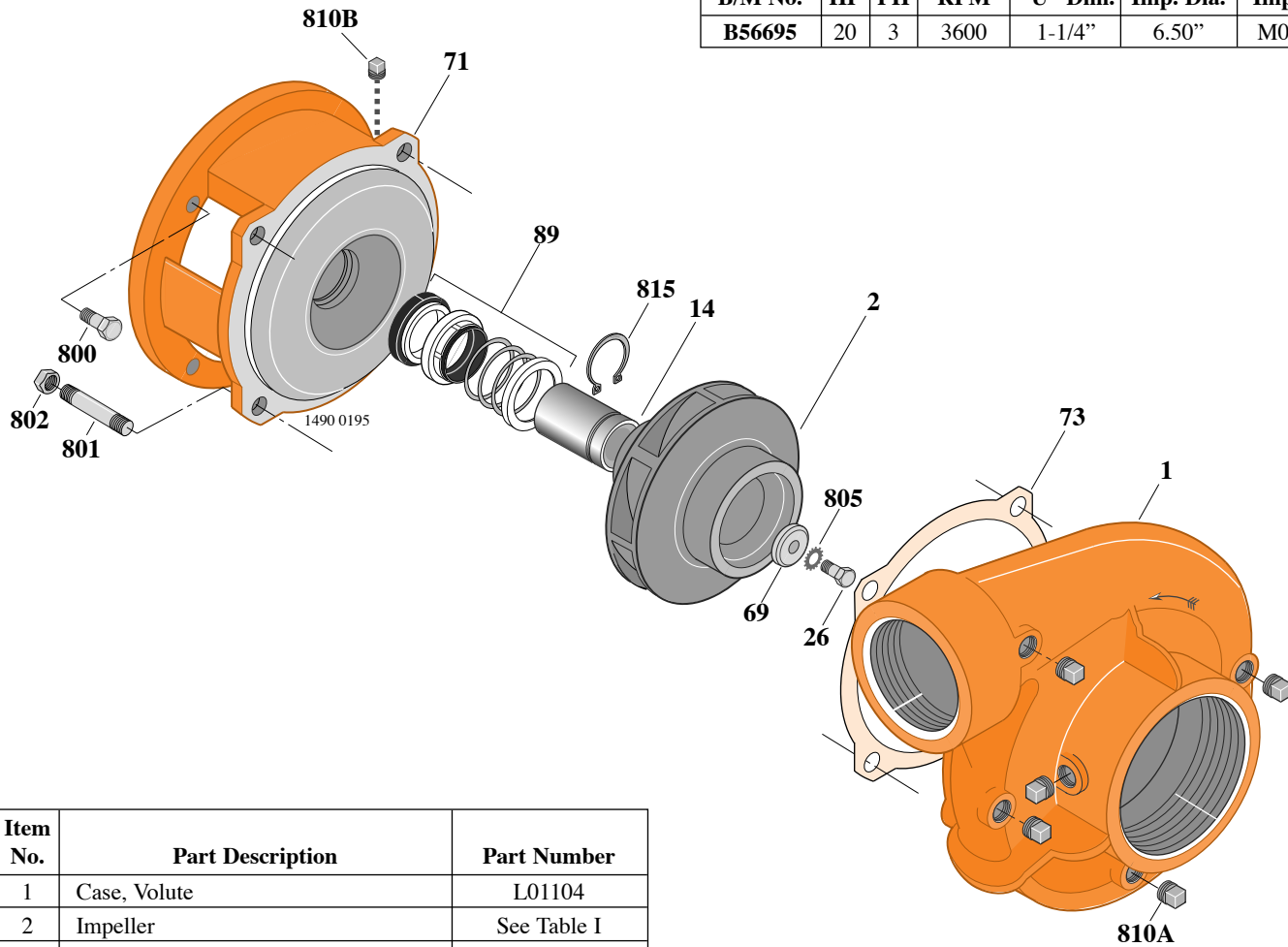
B3TPMS

Threaded Case (NPT)

Mechanical Shaft Seal Construction

TABLE I

| B/M No. | HP | PH | RPM | "U" Dim. | Imp. Dia. | Imp. No. |
|---------|----|----|------|----------|-----------|----------|
| B56695 | 20 | 3 | 3600 | 1-1/4" | 6.50" | M02960 |



| Item No. | Part Description | Part Number |
|----------|----------------------------------|--------------|
| 1 | Case, Volute | L01104 |
| 2 | Impeller | See Table I |
| 14 | Sleeve, Shaft | S18869 |
| 26 | Screw, Impeller 1/2 - 13 x 1" | S23619 |
| 32 | Key, 1/4 x 2-1/4" (See Note) | S23677 |
| 69 | Washer, Impeller | S06319 |
| 71 | Bracket | See Table II |
| 73 | Gasket, Volute | S04757 |
| 89 | Seal, Mechanical Shaft | S32015 |
| 800 | Capscrew, 1/2 - 13 x 1" (4 Req.) | S26912 |
| 801 | Stud, 1/2 - 13 x 1-1/2" (4 Req.) | S24043 |
| 802 | Nut, 1/2 - 13 (4 Req.) | S23107 |
| 805 | Washer, Lock | S23038 |
| 810 | Plug, Pipe (5 Req.) | S23715 |
| 815 | Ring, Retaining | S16767 |

TABLE II

| HP | PH | Bracket No. | "AK" Fit | "U" Dim. | Motor Frame |
|----|----|-------------|----------|----------|-------------|
| 20 | 3 | L05779 | 8-1/2" | 1-1/4" | 254JM |

NOTE: For an explanation of the tabulated material found on this page and for impeller key location, refer to *Supplement A* located at the beginning of this section.



TYPE "B" SINGLE STAGE CENTRIFUGAL PUMP Electric Motor Drive

| | |
|-------------------|--------------|
| Section | CC |
| Page | 160.9 |
| Date | May 15, 2009 |
| Supersedes 1/1/04 | |

CAST IRON IMPELLER

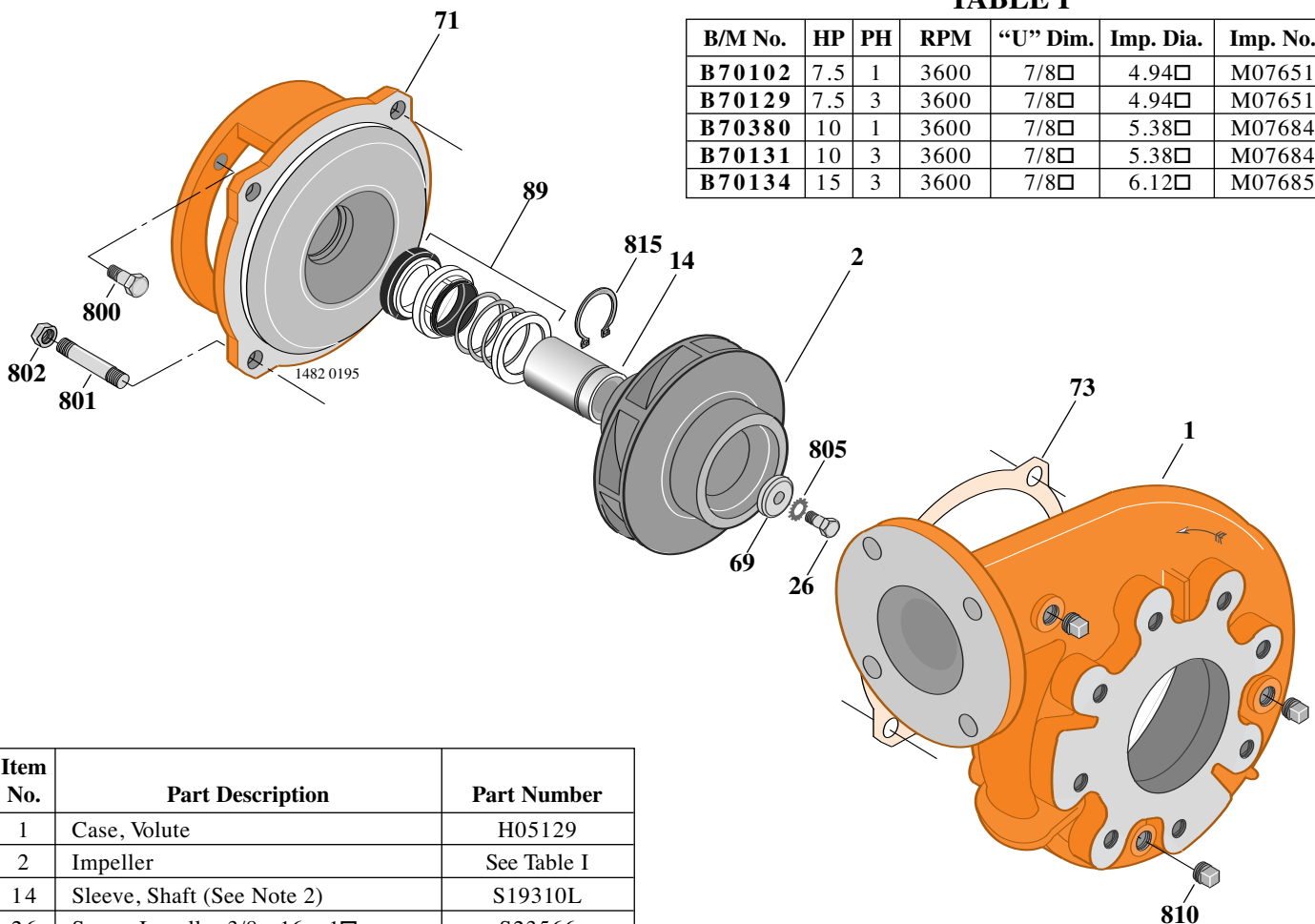
B3TPMS

Flanged Case

Mechanical Shaft Seal Construction

TABLE I

| B/M No. | HP | PH | RPM | "U" Dim. | Imp. Dia. | Imp. No. |
|---------------|-----|----|------|----------|-----------|----------|
| B70102 | 7.5 | 1 | 3600 | 7/8□ | 4.94□ | M07651 |
| B70129 | 7.5 | 3 | 3600 | 7/8□ | 4.94□ | M07651 |
| B70380 | 10 | 1 | 3600 | 7/8□ | 5.38□ | M07684 |
| B70131 | 10 | 3 | 3600 | 7/8□ | 5.38□ | M07684 |
| B70134 | 15 | 3 | 3600 | 7/8□ | 6.12□ | M07685 |



| Item No. | Part Description | Part Number |
|----------|---|--------------|
| 1 | Case, Volute | H05129 |
| 2 | Impeller | See Table I |
| 14 | Sleeve, Shaft (See Note 2) | S19310L |
| 26 | Screw, Impeller 3/8 - 16 x 1□ | S23566 |
| 32 | Key, 3/16 x 1-1/4□(See Note 1) | S34383 |
| 40 | Washer, Impeller | S06314 |
| 71 | Bracket | See Table II |
| 73 | Gasket, Volute | S04757 |
| 89 | Seal, Mechanical Shaft | S32014 |
| 800 | Capscrew, 3/8 - 16 x 1□(4 Req.) (For 4-1/2 AK) | S26826 |
| 800 | Capscrew, 1/2 - 13 x 1□(4 Req.) (For 8-1/2 AK) | S26912 |
| 801 | Stud, 1/2 - 13 x 1-1/2□(4 Req.) | S24043 |
| 802 | Nut, 1/2 - 13 (4 Req.) | S23107 |
| 805 | Washer, Lock | S23036 |
| 810 | Plug, Pipe 1/4 NPT (5 Req.) | S23715 |
| 815 | Ring, Retaining | S11207 |

TABLE II

| HP | PH | Bracket No. | "AK" Fit | "U" Dim. | Motor Frame |
|-----|----|-------------|----------|----------|-------------|
| 7.5 | 1 | L05328 | 8-1/2□ | 7/8□ | 213JM |
| 7.5 | 3 | L05329 | 4-1/2□ | 7/8□ | 184JM |
| 10 | 1 | L05328 | 8-1/2□ | 7/8□ | 215JM |
| 10 | 3 | L05328 | 8-1/2□ | 7/8□ | 213JM |
| 15 | 3 | L05328 | 8-1/2□ | 7/8□ | 215JM |

NOTE 1: For an explanation of the tabulated material found on this page and for impeller key location, refer to *Supplement A* located at the beginning of this section.

NOTE 2: Sleeve replacement kit available. Berkeley part number B85681 includes the shaft sleeve, adhesive compound and instruction sheet.



TYPE "B" SINGLE STAGE CENTRIFUGAL PUMP Electric Motor Drive

| | |
|-------------------|-----------------|
| Section | CC |
| Page | 160.10 |
| Date | January 1, 2004 |
| Supersedes 6/1/95 | |

CAST IRON IMPELLER

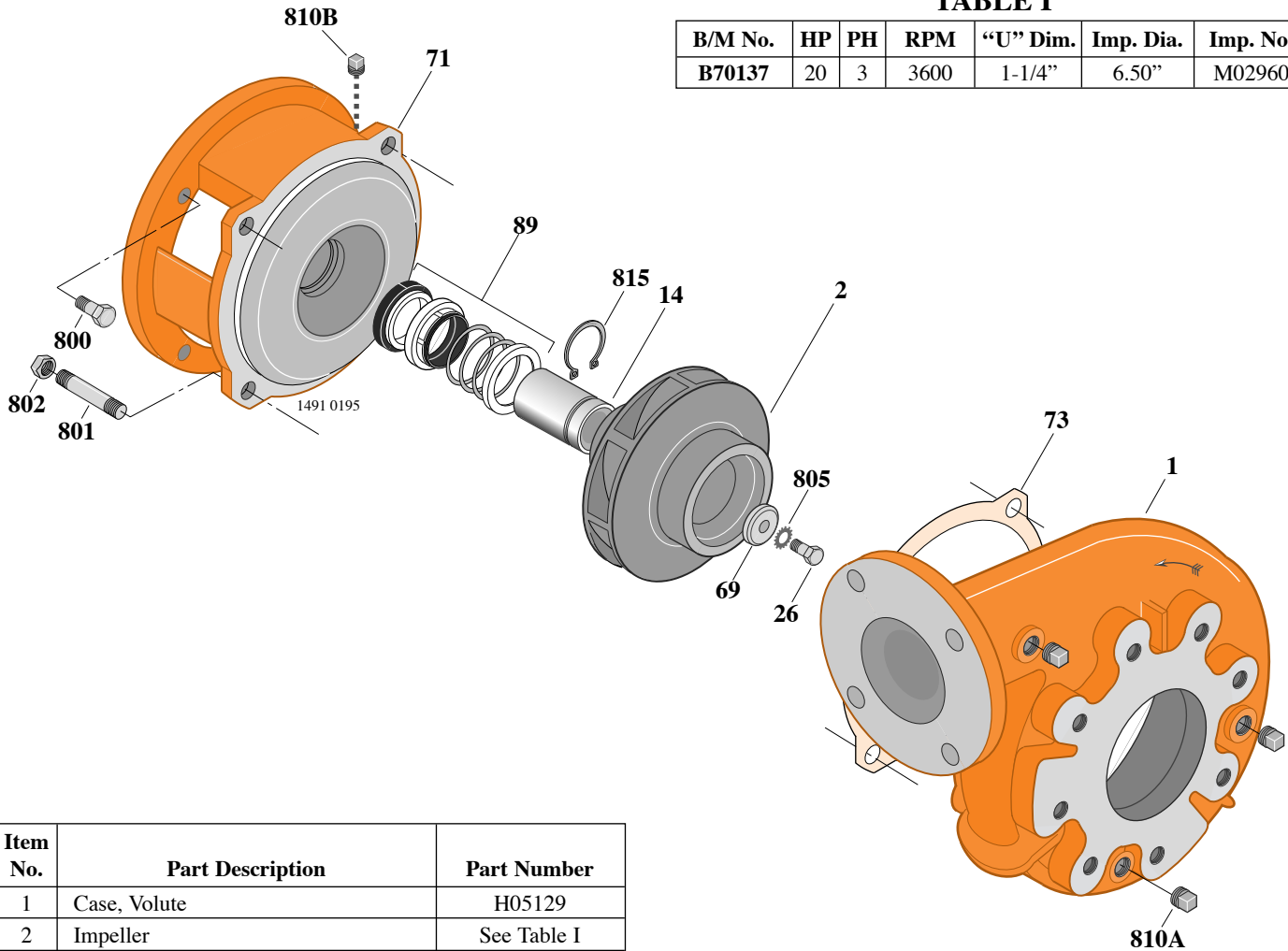
B3TPMS

Flanged Case

Mechanical Shaft Seal Construction

TABLE I

| B/M No. | HP | PH | RPM | "U" Dim. | Imp. Dia. | Imp. No. |
|---------|----|----|------|----------|-----------|----------|
| B70137 | 20 | 3 | 3600 | 1-1/4" | 6.50" | M02960 |



| Item No. | Part Description | Part Number |
|----------|----------------------------------|--------------|
| 1 | Case, Volute | H05129 |
| 2 | Impeller | See Table I |
| 14 | Sleeve, Shaft | S18869 |
| 26 | Screw, Impeller 1/2 - 13 x 1" | S23619 |
| 32 | Key, 1/4 x 2-1/4" (See Note) | S23677 |
| 69 | Washer, Impeller | S06319 |
| 71 | Bracket | See Table II |
| 73 | Gasket, Volute | S04757 |
| 89 | Seal, Mechanical Shaft | S32015 |
| 800 | Capscrew, 1/2 - 13 x 1" (4 Req.) | S26912 |
| 801 | Stud, 1/2 - 13 x 1-1/2" (4 Req.) | S24043 |
| 802 | Nut, 1/2 - 13 (4 Req.) | S23107 |
| 805 | Washer, Lock | S23038 |
| 810 | Plug, Pipe (5 Req.) | S23715 |
| 815 | Ring, Retaining | S16767 |

TABLE II

| HP | PH | Bracket No. | "AK" Fit | "U" Dim. | Motor Frame |
|----|----|-------------|----------|----------|-------------|
| 20 | 3 | L05779 | 8-1/2" | 1-1/4" | 254JM |

NOTE: For an explanation of the tabulated material found on this page and for impeller key location, refer to *Supplement A* located at the beginning of this section.



TYPE "B" SINGLE STAGE CENTRIFUGAL PUMP Electric Motor Drive

| | |
|-------------------|-----------------|
| Section | CC |
| Page | 160.11 |
| Date | January 1, 2004 |
| Supersedes 6/1/95 | |

BRONZE IMPELLER

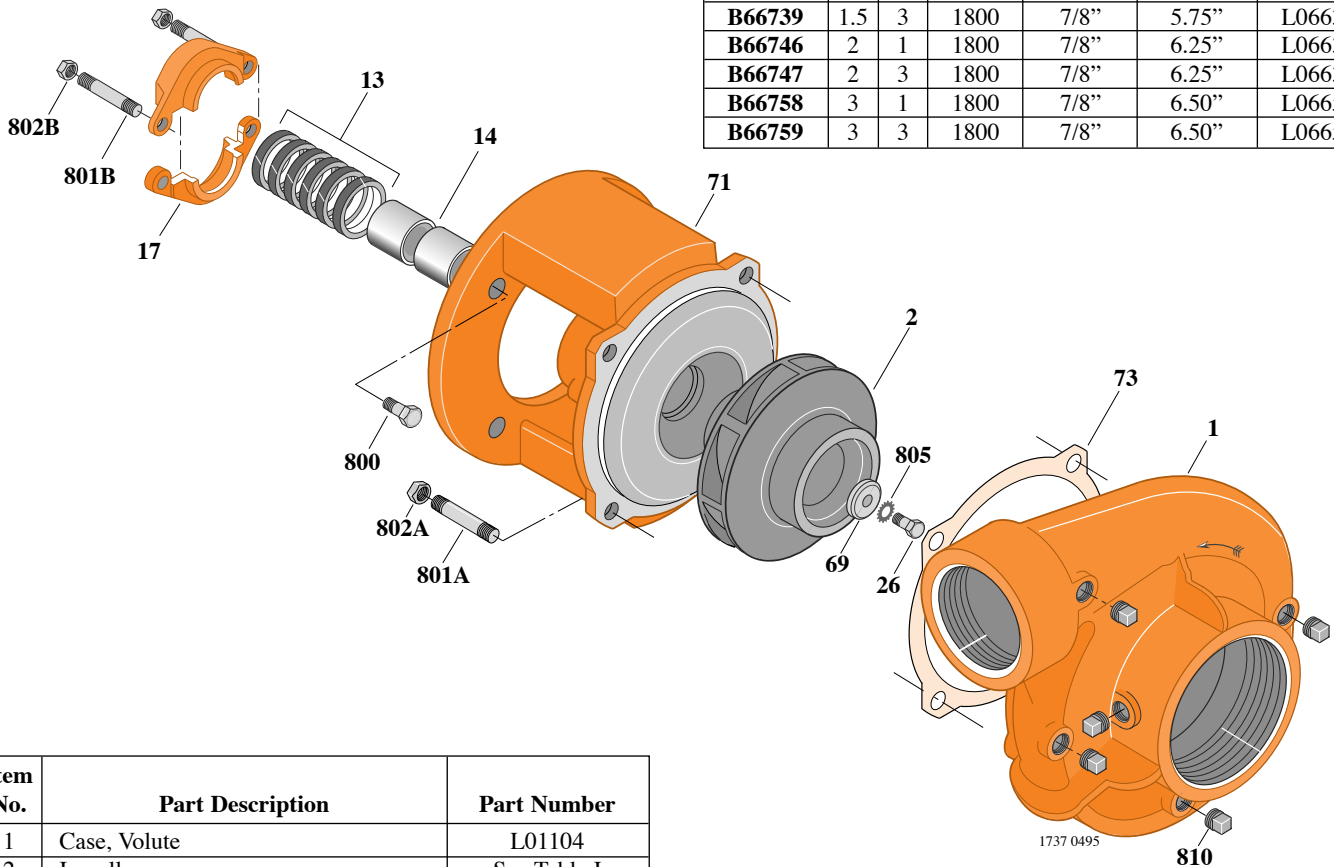
B3TPM

Threaded Case (NPT)

Packing Construction

TABLE I

| B/M No. | HP | PH | RPM | "U" Dim. | Imp. Dia. | Imp. No. |
|---------------|-----|----|------|----------|-----------|----------|
| B66730 | 1 | 1 | 1800 | 7/8" | 5.12" | L06634 |
| B66731 | 1 | 3 | 1800 | 7/8" | 5.12" | L06634 |
| B66738 | 1.5 | 1 | 1800 | 7/8" | 5.75" | L06635 |
| B66739 | 1.5 | 3 | 1800 | 7/8" | 5.75" | L06635 |
| B66746 | 2 | 1 | 1800 | 7/8" | 6.25" | L06636 |
| B66747 | 2 | 3 | 1800 | 7/8" | 6.25" | L06636 |
| B66758 | 3 | 1 | 1800 | 7/8" | 6.50" | L06657 |
| B66759 | 3 | 3 | 1800 | 7/8" | 6.50" | L06657 |



| Item No. | Part Description | Part Number |
|----------|------------------------------------|--------------|
| 1 | Case, Volute | L01104 |
| 2 | Impeller | See Table I |
| 13 | Rings, Packing (Set of 6) | S13469 |
| 14 | Sleeve, Shaft (2 Req.) | S00619 |
| 17 | Gland, Packing | B82469 |
| 26 | Screw, Impeller 3/8 - 16 x 1" | S23566 |
| 32 | Key, 3/16 x 1-1/4" (See Note) | S34383 |
| 69 | Washer, Impeller | S06314 |
| 71 | Bracket | See Table II |
| 73 | Gasket, Volute | S04757 |
| 800 | Capscrew, 3/8 - 16 x 7/8" (4 Req.) | S26825 |
| 801A | Stud, 1/2 - 13 x 1-1/2" (4 Req.) | S24043 |
| 801B | Stud, 3/8 - 16 x 4" (2 Req.) | S08303 |
| 802A | Nut, Hex 1/2 - 13 (4 Req.) | S23107 |
| 802B | Nut, Hex 3/8 - 16 (2 Req.) | S23343 |
| 805 | Washer, Lock | S23036 |
| 810 | Plug, Pipe 1/4 NPT (5 Req.) | S23715 |

TABLE II

| HP | PH | Bracket No. | "AK" Fit | "U" Dim. | Motor Frame |
|-----|----|-------------|----------|----------|-------------|
| 1 | 1 | L01525 | 4-1/2" | 7/8" | 143JP |
| 1 | 3 | L01525 | 4-1/2" | 7/8" | 143JP |
| 1.5 | 1 | L01525 | 4-1/2" | 7/8" | 145JP |
| 1.5 | 3 | L01525 | 4-1/2" | 7/8" | 145JP |
| 2 | 1 | L01525 | 4-1/2" | 7/8" | 182JP |
| 2 | 3 | L01525 | 4-1/2" | 7/8" | 145JP |
| 3 | 1 | L01525 | 4-1/2" | 7/8" | 184JP |
| 3 | 3 | L01525 | 4-1/2" | 7/8" | 182JP |

NOTE: For an explanation of the tabulated material found on this page and for impeller key location, refer to *Supplement A* located at the beginning of this section.



TYPE "B" SINGLE STAGE CENTRIFUGAL PUMP Electric Motor Drive

| | |
|-------------------|-----------------|
| Section | CC |
| Page | 160.12 |
| Date | January 1, 2004 |
| Supersedes 6/1/95 | |

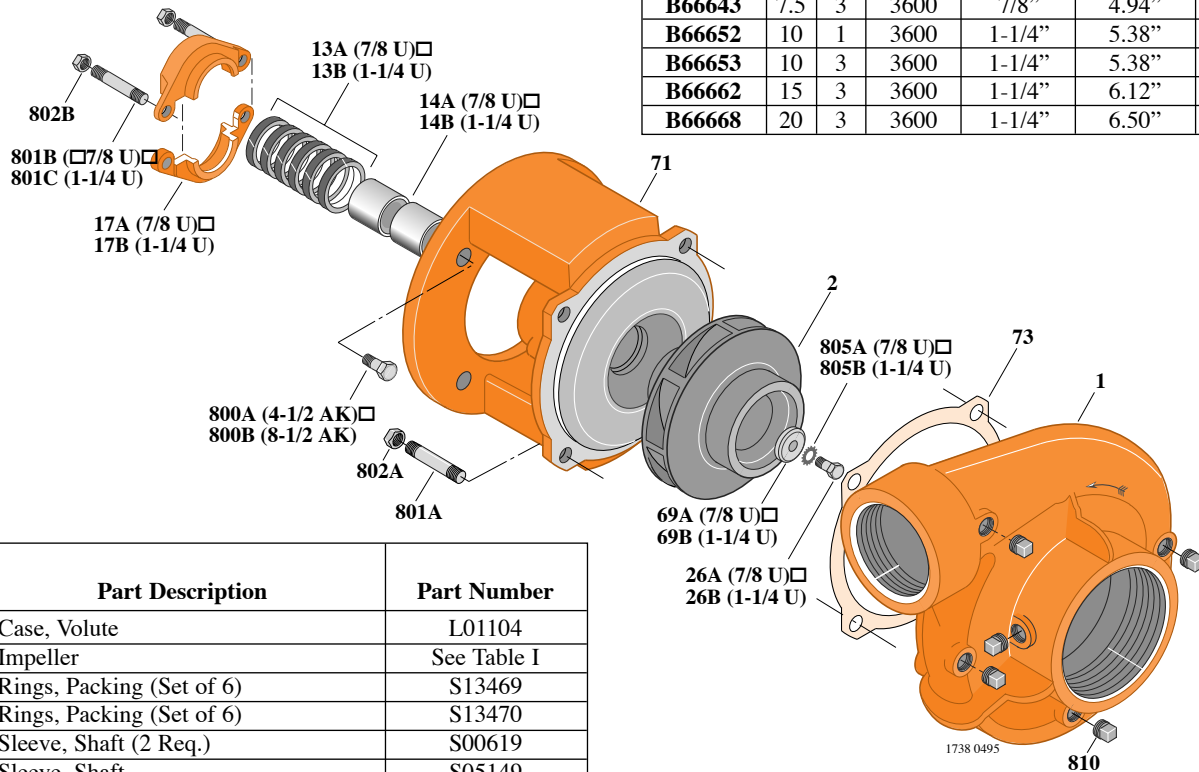
BRONZE IMPELLER B3TPM

Threaded Case (NPT)

Packing Construction

TABLE I

| B/M No. | HP | PH | RPM | "U" Dim. | Imp. Dia. | Imp. No. |
|---------------|-----|----|------|----------|-----------|----------|
| B66642 | 7.5 | 1 | 3600 | 1-1/4" | 4.94" | L06630 |
| B66643 | 7.5 | 3 | 3600 | 7/8" | 4.94" | L06633 |
| B66652 | 10 | 1 | 3600 | 1-1/4" | 5.38" | L06631 |
| B66653 | 10 | 3 | 3600 | 1-1/4" | 5.38" | L06631 |
| B66662 | 15 | 3 | 3600 | 1-1/4" | 6.12" | L06643 |
| B66668 | 20 | 3 | 3600 | 1-1/4" | 6.50" | L06658 |



| Item No. | Part Description | Part Number |
|----------|------------------------------------|--------------|
| 1 | Case, Volute | L01104 |
| 2 | Impeller | See Table I |
| 13A | Rings, Packing (Set of 6) | S13469 |
| 13B | Rings, Packing (Set of 6) | S13470 |
| 14A | Sleeve, Shaft (2 Req.) | S00619 |
| 14B | Sleeve, Shaft | S05149 |
| 17A | Gland, Packing | B82469 |
| 17B | Gland, Packing | B82470 |
| 26A | Screw, Impeller 3/8 - 16 x 1" | S23566 |
| 26B | Screw, Impeller 1/2 - 13 x 1" | S23619 |
| 32A | Key, 3/16 x 1-1/4" (See Note) | S34383 |
| 32B | Key, 1/4 x 2-1/4" (See Note) | S23677 |
| 69A | Washer, Impeller | S06314 |
| 69B | Washer, Impeller | S06319 |
| 71 | Bracket | See Table II |
| 73 | Gasket, Volute | S04757 |
| 800A | Capscrew, 3/8 - 16 x 7/8" (4 Req.) | S26825 |
| 800B | Capscrew, 1/2 - 13 x 1" (4 Req.) | S26912 |
| 801A | Stud, 1/2 - 13 x 1-1/2" (4 Req.) | S24043 |
| 801B | Stud, 3/8 - 16 x 4" (2 Req.) | S08303 |
| 801C | Stud, 3/8 - 16 x 3-1/2" (2 Req.) | S04441 |
| 802A | Nut, Hex 1/2 - 13 (4 Req.) | S23107 |
| 802B | Nut, Hex 3/8 - 16 (2 Req.) | S23343 |
| 805A | Washer, Lock | S23036 |
| 805B | Washer, Lock | S23038 |
| 810 | Plug, Pipe 1/4 NPT (5 Req.) | S23715 |

TABLE II

| HP | PH | Bracket No. | "AK" Fit | "U" Dim. | Motor Frame |
|-----|----|-------------|----------|----------|-------------|
| 7.5 | 1 | L01951 | 8-1/2" | 1-1/4" | 213JP |
| 7.5 | 3 | L01525 | 4-1/2" | 7/8" | 184JP |
| 10 | 1 | L01951 | 8-1/2" | 1-1/4" | 215JP |
| 10 | 3 | L01951 | 8-1/2" | 1-1/4" | 213JP |
| 15 | 3 | L01951 | 8-1/2" | 1-1/4" | 215JP |
| 20 | 3 | L01951 | 8-1/2" | 1-1/4" | 254JP |

NOTE: For an explanation of the tabulated material found on this page and for impeller key location, refer to *Supplement A* located at the beginning of this section.



TYPE "B" SINGLE STAGE CENTRIFUGAL PUMP Electric Motor Drive

| | |
|-------------------|--------------|
| Section | CC |
| Page | 160.13 |
| Date | May 15, 2009 |
| Supersedes 1/1/04 | |

BRONZE IMPELLER

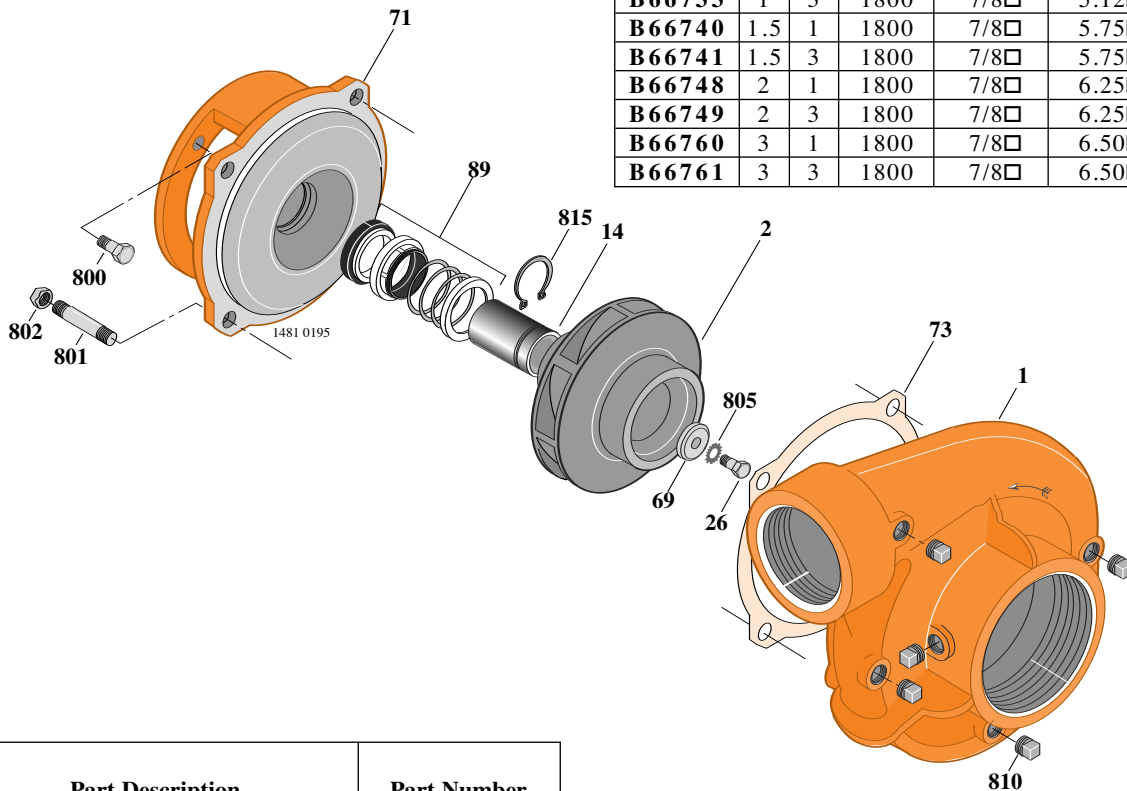
B3TPMS

Threaded Case (NPT)

Mechanical Shaft Seal Construction

TABLE I

| B/M No. | HP | PH | RPM | "U" Dim. | Imp. Dia. | Imp. No. |
|---------|-----|----|------|----------|-----------|----------|
| B66732 | 1 | 1 | 1800 | 7/8□ | 5.12□ | L06634 |
| B66733 | 1 | 3 | 1800 | 7/8□ | 5.12□ | L06634 |
| B66740 | 1.5 | 1 | 1800 | 7/8□ | 5.75□ | L06635 |
| B66741 | 1.5 | 3 | 1800 | 7/8□ | 5.75□ | L06635 |
| B66748 | 2 | 1 | 1800 | 7/8□ | 6.25□ | L06636 |
| B66749 | 2 | 3 | 1800 | 7/8□ | 6.25□ | L06636 |
| B66760 | 3 | 1 | 1800 | 7/8□ | 6.50□ | L06657 |
| B66761 | 3 | 3 | 1800 | 7/8□ | 6.50□ | L06657 |



| Item No. | Part Description | Part Number |
|----------|---|--------------|
| 1 | Case, Volute | L01104 |
| 2 | Impeller | See Table I |
| 14 | Sleeve, Shaft (See Note 2) | S19310L |
| 26 | Screw, Impeller 3/8 - 16 x 1□ | S23566 |
| 32 | Key, 3/16 x 1-1/4□(See Note 1) | S34383 |
| 69 | Washer, Impeller | S06314 |
| 71 | Bracket | See Table II |
| 73 | Gasket, Volute | S04757 |
| 89 | Seal, Mechanical Shaft | S32014 |
| 800 | Capscrew, 3/8 - 16 x 1□(4 Req.) (For 4-1/2 AK) | S26826 |
| 801 | Stud, 1/2 - 13 x 1-1/2□(4 Req.) | S24043 |
| 802 | Nut, 1/2 - 13 (4 Req.) | S23107 |
| 805 | Washer, Lock | S23036 |
| 810 | Plug, Pipe 1/4 NPT (5 Req.) | S23715 |
| 815 | Ring, Retaining | S11207 |

TABLE II

| HP | PH | Bracket No. | "AK" Fit | "U" Dim. | Motor Frame |
|-----|----|-------------|----------|----------|-------------|
| 1 | 1 | L05329 | 4-1/2□ | 7/8□ | 143JM |
| 1 | 3 | L05329 | 4-1/2□ | 7/8□ | 143JM |
| 1.5 | 1 | L05329 | 4-1/2□ | 7/8□ | 145JM |
| 1.5 | 3 | L05329 | 4-1/2□ | 7/8□ | 145JM |
| 2 | 1 | L05329 | 4-1/2□ | 7/8□ | 182JM |
| 2 | 3 | L05329 | 4-1/2□ | 7/8□ | 145JM |
| 3 | 1 | L05329 | 4-1/2□ | 7/8□ | 184JM |
| 3 | 3 | L05329 | 4-1/2□ | 7/8□ | 182JM |

NOTE 1: For an explanation of the tabulated material found on this page and for impeller key location, refer to **Supplement A** located at the beginning of this section.

NOTE 2: Sleeve replacement kit available. Berkeley part number B85681 includes the shaft sleeve, adhesive compound and instruction sheet.



TYPE "B" SINGLE STAGE CENTRIFUGAL PUMP Electric Motor Drive

| | |
|-------------------|--------------|
| Section | CC |
| Page | 160.14 |
| Date | May 15, 2009 |
| Supersedes 1/1/04 | |

BRONZE IMPELLER

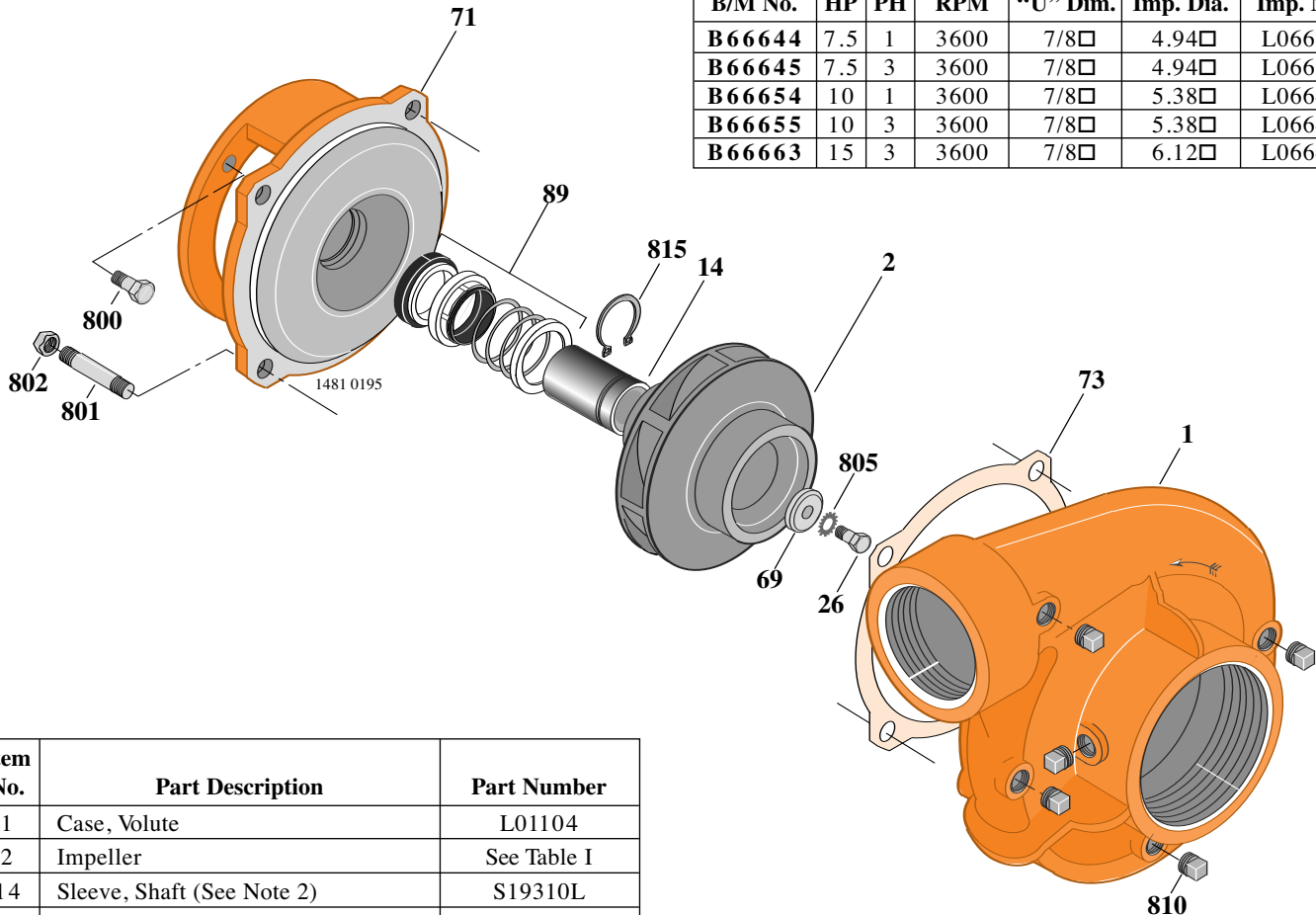
B3TPMS

Threaded Case (NPT)

Mechanical Shaft Seal Construction

TABLE I

| B/M No. | HP | PH | RPM | "U" Dim. | Imp. Dia. | Imp. No. |
|----------------|-----|----|------|----------|-----------|----------|
| B 66644 | 7.5 | 1 | 3600 | 7/8□ | 4.94□ | L06633 |
| B 66645 | 7.5 | 3 | 3600 | 7/8□ | 4.94□ | L06633 |
| B 66654 | 10 | 1 | 3600 | 7/8□ | 5.38□ | L06642 |
| B 66655 | 10 | 3 | 3600 | 7/8□ | 5.38□ | L06642 |
| B 66663 | 15 | 3 | 3600 | 7/8□ | 6.12□ | L06643 |



| Item No. | Part Description | Part Number |
|----------|---|--------------|
| 1 | Case, Volute | L01104 |
| 2 | Impeller | See Table I |
| 14 | Sleeve, Shaft (See Note 2) | S19310L |
| 26 | Screw, Impeller 3/8 - 16 x 1□ | S23566 |
| 32 | Key, 3/16 x 1-1/4□(See Note 1) | S34383 |
| 69 | Washer, Impeller | S06314 |
| 71 | Bracket | See Table II |
| 73 | Gasket, Volute | S04757 |
| 89 | Seal, Mechanical Shaft | S32014 |
| 800 | Capscrew, 3/8 - 16 x 1□(4 Req.) (For 4-1/2 AK) | S26826 |
| 800 | Capscrew, 1/2 - 13 x 1□(4 Req.) (For 8-1/2 AK) | S26912 |
| 801 | Stud, 1/2 - 13 x 1-1/2□(4 Req.) | S24043 |
| 802 | Nut, 1/2 - 13 (4 Req.) | S23107 |
| 805 | Washer, Lock | S23036 |
| 810 | Plug, Pipe 1/4 NPT (5 Req.) | S23715 |
| 815 | Ring, Retaining | S11207 |

TABLE II

| HP | PH | Bracket No. | "AK" Fit | "U" Dim. | Motor Frame |
|-----|----|-------------|----------|----------|-------------|
| 7.5 | 1 | L05328 | 8-1/2□ | 7/8□ | 213JM |
| 7.5 | 3 | L05329 | 4-1/2□ | 7/8□ | 184JM |
| 10 | 1 | L05328 | 8-1/2□ | 7/8□ | 215JM |
| 10 | 3 | L05328 | 8-1/2□ | 7/8□ | 213JM |
| 15 | 3 | L05328 | 8-1/2□ | 7/8□ | 215JM |

NOTE 1: For an explanation of the tabulated material found on this page and for impeller key location, refer to **Supplement A** located at the beginning of this section.

NOTE 2: Sleeve replacement kit available. Berkeley part number B85681 includes the shaft sleeve, adhesive compound and instruction sheet.



TYPE "B" SINGLE STAGE CENTRIFUGAL PUMP Electric Motor Drive

| | |
|-------------------|-----------------|
| Section | CC |
| Page | 160.15 |
| Date | January 1, 2004 |
| Supersedes 6/1/95 | |

BRONZE IMPELLER

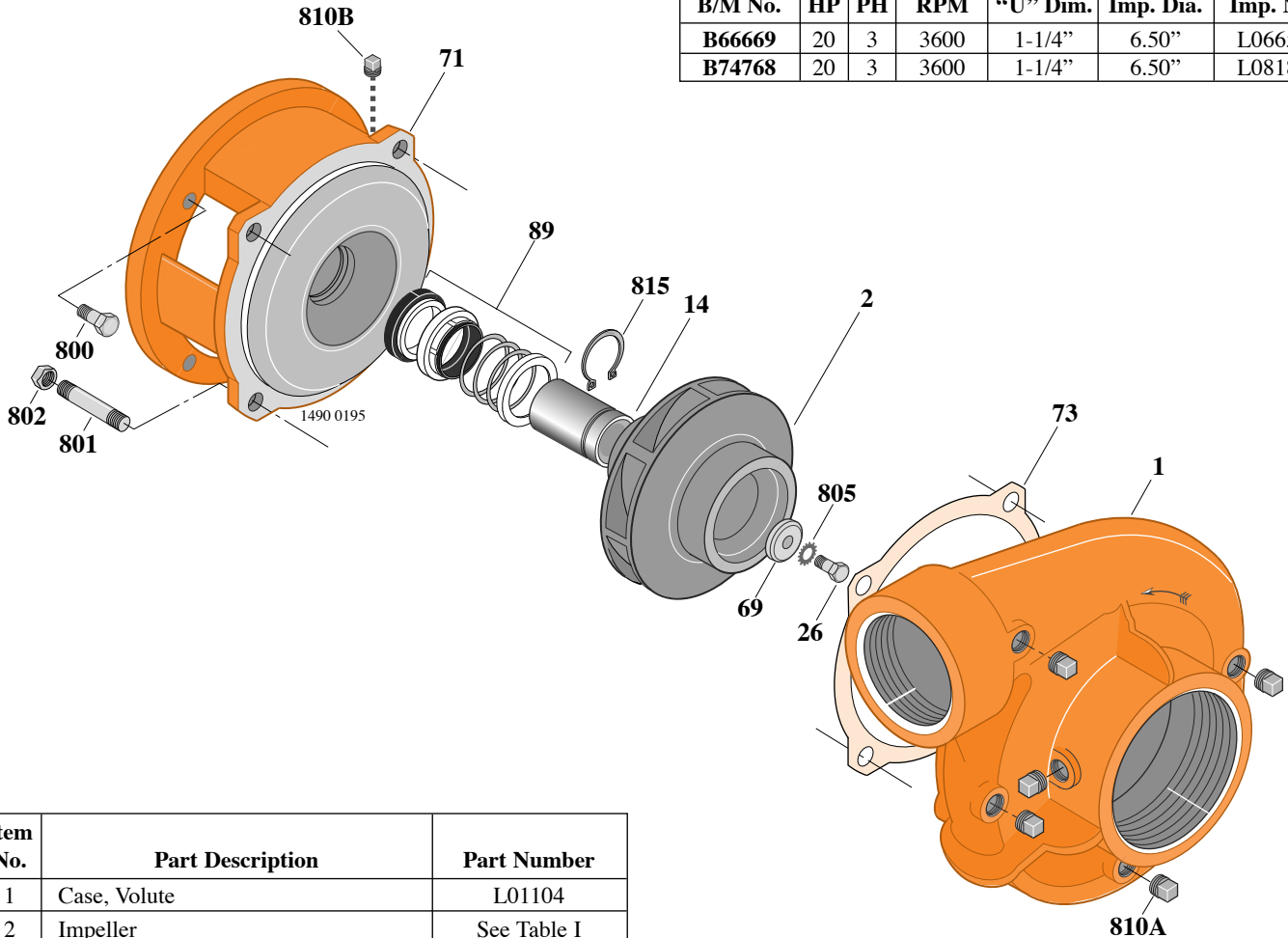
B3TPMS

Threaded Case (NPT)

Mechanical Shaft Seal Construction

TABLE I

| B/M No. | HP | PH | RPM | "U" Dim. | Imp. Dia. | Imp. No. |
|---------------|----|----|------|----------|-----------|----------|
| B66669 | 20 | 3 | 3600 | 1-1/4" | 6.50" | L06658 |
| B74768 | 20 | 3 | 3600 | 1-1/4" | 6.50" | L08187 |



| Item No. | Part Description | Part Number |
|----------|----------------------------------|--------------|
| 1 | Case, Volute | L01104 |
| 2 | Impeller | See Table I |
| 14 | Sleeve, Shaft | S18869 |
| 26 | Screw, Impeller 1/2 - 13 x 1" | S23619 |
| 32 | Key, 1/4 x 2-1/4" (See Note) | S23677 |
| 69 | Washer, Impeller | S06319 |
| 71 | Bracket | See Table II |
| 73 | Gasket, Volute | S04757 |
| 89 | Seal, Mechanical Shaft | S32015 |
| 800 | Capscrew, 1/2 - 13 x 1" (4 Req.) | S26912 |
| 801 | Stud, 1/2 - 13 x 1-1/2" (4 Req.) | S24043 |
| 802 | Nut, 1/2 - 13 (4 Req.) | S23107 |
| 805 | Washer, Lock | S23038 |
| 810 | Plug, Pipe (5 Req.) | S23715 |
| 815 | Ring, Retaining | S16767 |

TABLE II

| HP | PH | Bracket No. | "AK" Fit | "U" Dim. | Motor Frame |
|----|----|-------------|----------|----------|-------------|
| 20 | 3 | L05779 | 8-1/2" | 1-1/4" | 254JM |

NOTE: For an explanation of the tabulated material found on this page and for impeller key location, refer to *Supplement A* located at the beginning of this section.



TYPE "B" SINGLE STAGE CENTRIFUGAL PUMP Electric Motor Drive

| | |
|-------------------|-----------------|
| Section | CC |
| Page | 160.17 |
| Date | January 1, 2004 |
| Supersedes 9/1/97 | |

SILICON BRONZE IMPELLER

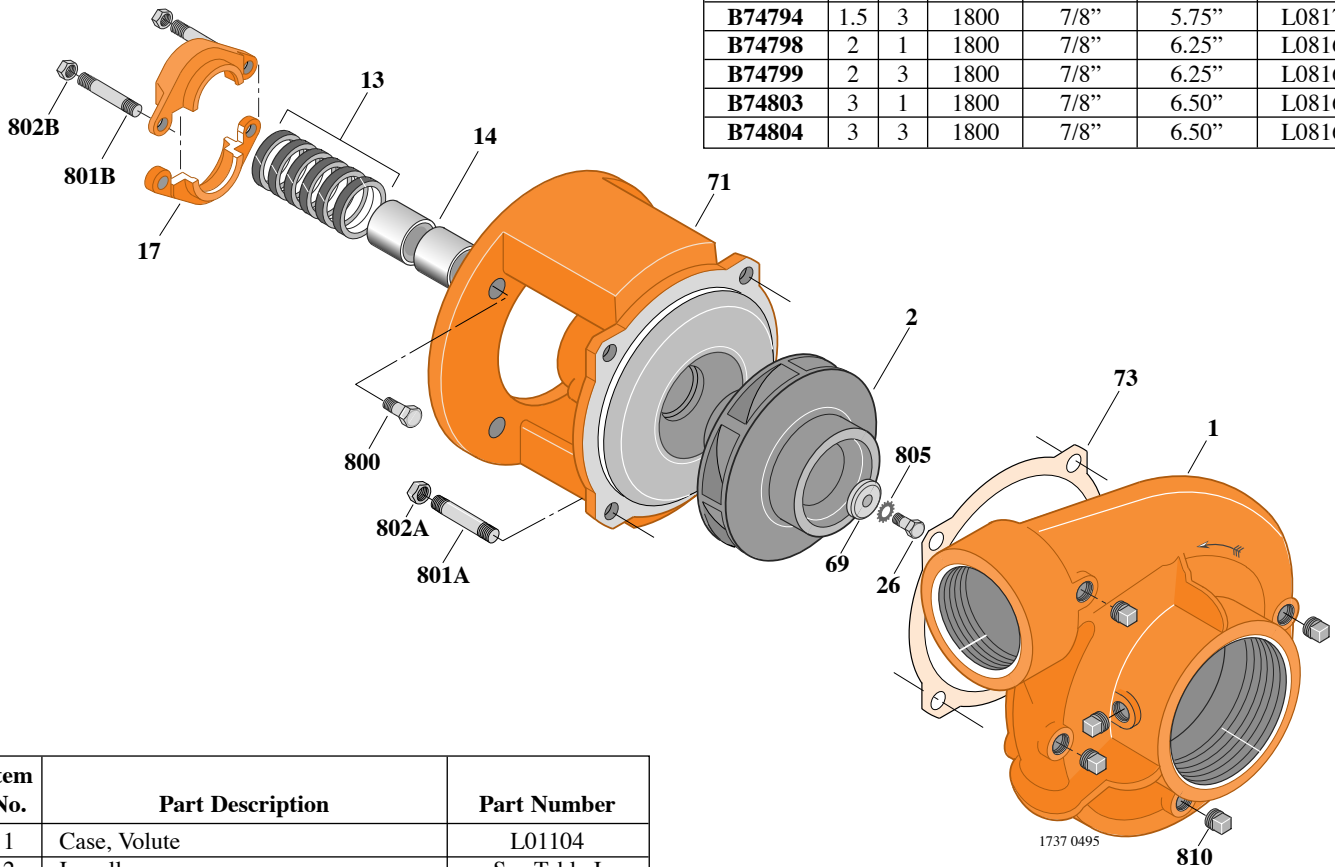
B3TPM

Threaded Case (NPT)

Packing Construction

TABLE I

| B/M No. | HP | PH | RPM | "U" Dim. | Imp. Dia. | Imp. No. |
|---------------|-----|----|------|----------|-----------|----------|
| B74788 | 1 | 1 | 1800 | 7/8" | 5.12" | L08174 |
| B74789 | 1 | 3 | 1800 | 7/8" | 5.12" | L08174 |
| B74793 | 1.5 | 1 | 1800 | 7/8" | 5.75" | L08172 |
| B74794 | 1.5 | 3 | 1800 | 7/8" | 5.75" | L08172 |
| B74798 | 2 | 1 | 1800 | 7/8" | 6.25" | L08168 |
| B74799 | 2 | 3 | 1800 | 7/8" | 6.25" | L08168 |
| B74803 | 3 | 1 | 1800 | 7/8" | 6.50" | L08169 |
| B74804 | 3 | 3 | 1800 | 7/8" | 6.50" | L08169 |



| Item No. | Part Description | Part Number |
|----------|------------------------------------|--------------|
| 1 | Case, Volute | L01104 |
| 2 | Impeller | See Table I |
| 13 | Rings, Packing (Set of 6) | S13469 |
| 14 | Sleeve, Shaft (2 Req.) | S00619 |
| 17 | Gland, Packing | B82469 |
| 26 | Screw, Impeller 3/8 - 16 x 1" | S23566 |
| 32 | Key, 3/16 x 1-1/4" (See Note) | S34383 |
| 69 | Washer, Impeller | S06314 |
| 71 | Bracket | See Table II |
| 73 | Gasket, Volute | S04757 |
| 800 | Capscrew, 3/8 - 16 x 7/8" (4 Req.) | S26825 |
| 801A | Stud, 1/2 - 13 x 1-1/2" (4 Req.) | S24043 |
| 801B | Stud, 3/8 - 16 x 4" (2 Req.) | S08303 |
| 802A | Nut, Hex 1/2 - 13 (4 Req.) | S23107 |
| 802B | Nut, Hex 3/8 - 16 (2 Req.) | S23343 |
| 805 | Washer, Lock | S23036 |
| 810 | Plug, Pipe 1/4" NPT (5 Req.) | S23715 |

TABLE II

| HP | PH | Bracket No. | "AK" Fit | "U" Dim. | Motor Frame |
|-----|----|-------------|----------|----------|-------------|
| 1 | 1 | L01525 | 4-1/2" | 7/8" | 143JP |
| 1 | 3 | L01525 | 4-1/2" | 7/8" | 143JP |
| 1.5 | 1 | L01525 | 4-1/2" | 7/8" | 145JP |
| 1.5 | 3 | L01525 | 4-1/2" | 7/8" | 145JP |
| 2 | 1 | L01525 | 4-1/2" | 7/8" | 182JP |
| 2 | 3 | L01525 | 4-1/2" | 7/8" | 145JP |
| 3 | 1 | L01525 | 4-1/2" | 7/8" | 184JP |
| 3 | 3 | L01525 | 4-1/2" | 7/8" | 182JP |

NOTE: For an explanation of the tabulated material found on this page and for impeller key location, refer to *Supplement A* located at the beginning of this section.



TYPE "B" SINGLE STAGE CENTRIFUGAL PUMP Electric Motor Drive

| | |
|-------------------|-----------------|
| Section | CC |
| Page | 160.18 |
| Date | January 1, 2004 |
| Supersedes 9/1/97 | |

SILICON BRONZE IMPELLER

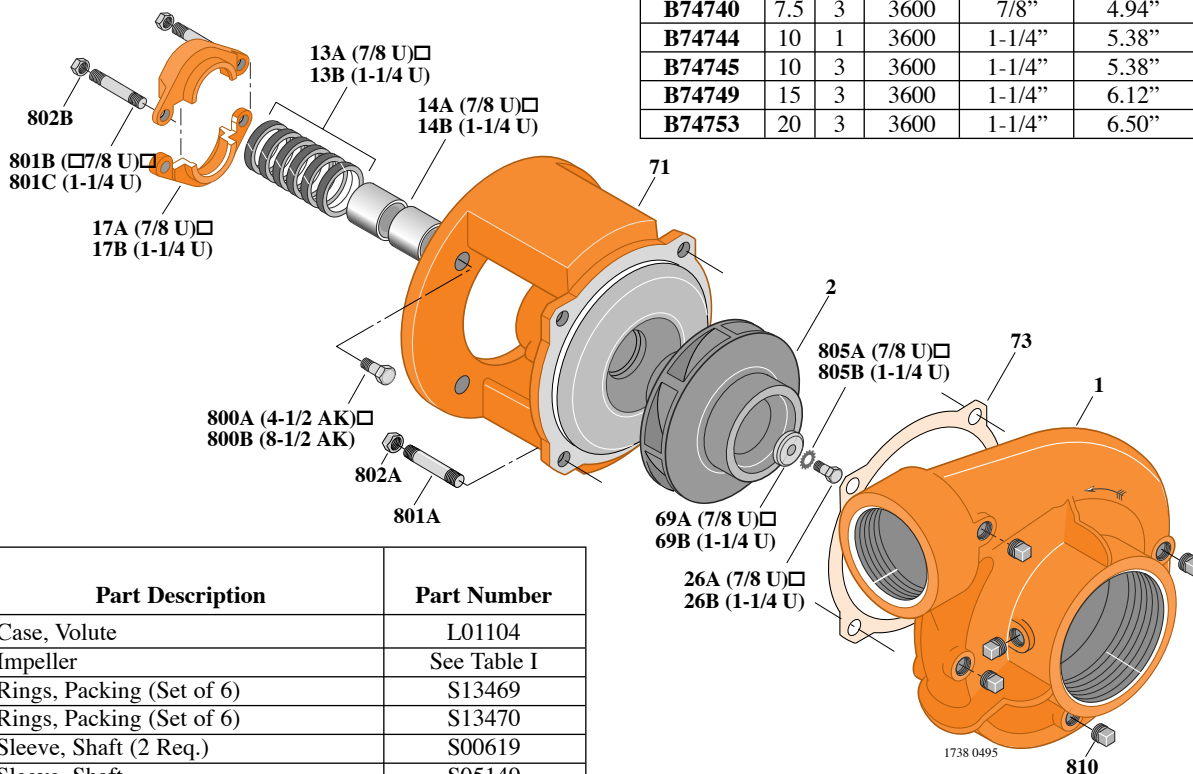
B3TPM

Threaded Case (NPT)

Packing Construction

TABLE I

| B/M No. | HP | PH | RPM | "U" Dim. | Imp. Dia. | Imp. No. |
|---------|-----|----|------|----------|-----------|----------|
| B74736 | 7.5 | 1 | 3600 | 1-1/4" | 4.94" | L08183 |
| B74740 | 7.5 | 3 | 3600 | 7/8" | 4.94" | L08175 |
| B74744 | 10 | 1 | 3600 | 1-1/4" | 5.38" | L08184 |
| B74745 | 10 | 3 | 3600 | 1-1/4" | 5.38" | L08184 |
| B74749 | 15 | 3 | 3600 | 1-1/4" | 6.12" | L08186 |
| B74753 | 20 | 3 | 3600 | 1-1/4" | 6.50" | L08187 |



| Item No. | Part Description | Part Number |
|----------|------------------------------------|--------------|
| 1 | Case, Volute | L01104 |
| 2 | Impeller | See Table I |
| 13A | Rings, Packing (Set of 6) | S13469 |
| 13B | Rings, Packing (Set of 6) | S13470 |
| 14A | Sleeve, Shaft (2 Req.) | S00619 |
| 14B | Sleeve, Shaft | S05149 |
| 17A | Gland, Packing | B82469 |
| 17B | Gland, Packing | B82470 |
| 26A | Screw, Impeller 3/8 - 16 x 1" | S23566 |
| 26B | Screw, Impeller 1/2 - 13 x 1" | S23619 |
| 32A | Key, 3/16 x 1-1/4" (See Note) | S34383 |
| 32B | Key, 1/4 x 2-1/4" (See Note) | S23677 |
| 69A | Washer, Impeller | S06314 |
| 69B | Washer, Impeller | S06319 |
| 71 | Bracket | See Table II |
| 73 | Gasket, Volute | S04757 |
| 800A | Capscrew, 3/8 - 16 x 7/8" (4 Req.) | S26825 |
| 800B | Capscrew, 1/2 - 13 x 1" (4 Req.) | S26912 |
| 801A | Stud, 1/2 - 13 x 1-1/2" (4 Req.) | S24043 |
| 801B | Stud, 3/8 - 16 x 4" (2 Req.) | S08303 |
| 801C | Stud, 3/8 - 16 x 3-1/2" (2 Req.) | S04441 |
| 802A | Nut, Hex 1/2 - 13 (4 Req.) | S23107 |
| 802B | Nut, Hex 3/8 - 16 (2 Req.) | S23343 |
| 805A | Washer, Lock | S23036 |
| 805B | Washer, Lock | S23038 |
| 810 | Plug, Pipe 1/4" NPT (5 Req.) | S23715 |

TABLE II

| HP | PH | Bracket No. | "AK" Fit | "U" Dim. | Motor Frame |
|-----|----|-------------|----------|----------|-------------|
| 7.5 | 1 | L01951 | 8-1/2" | 1-1/4" | 213JP |
| 7.5 | 3 | L01525 | 4-1/2" | 7/8" | 184JP |
| 10 | 1 | L01951 | 8-1/2" | 1-1/4" | 215JP |
| 10 | 3 | L01951 | 8-1/2" | 1-1/4" | 213JP |
| 15 | 3 | L01951 | 8-1/2" | 1-1/4" | 215JP |
| 20 | 3 | L01951 | 8-1/2" | 1-1/4" | 254JP |

NOTE: For an explanation of the tabulated material found on this page and for impeller key location, refer to *Supplement A* located at the beginning of this section.



TYPE "B" SINGLE STAGE CENTRIFUGAL PUMP Electric Motor Drive

| | |
|-------------------|-----------------|
| Section | CC |
| Page | 160.19 |
| Date | January 1, 2004 |
| Supersedes 9/1/97 | |

SILICON BRONZE IMPELLER

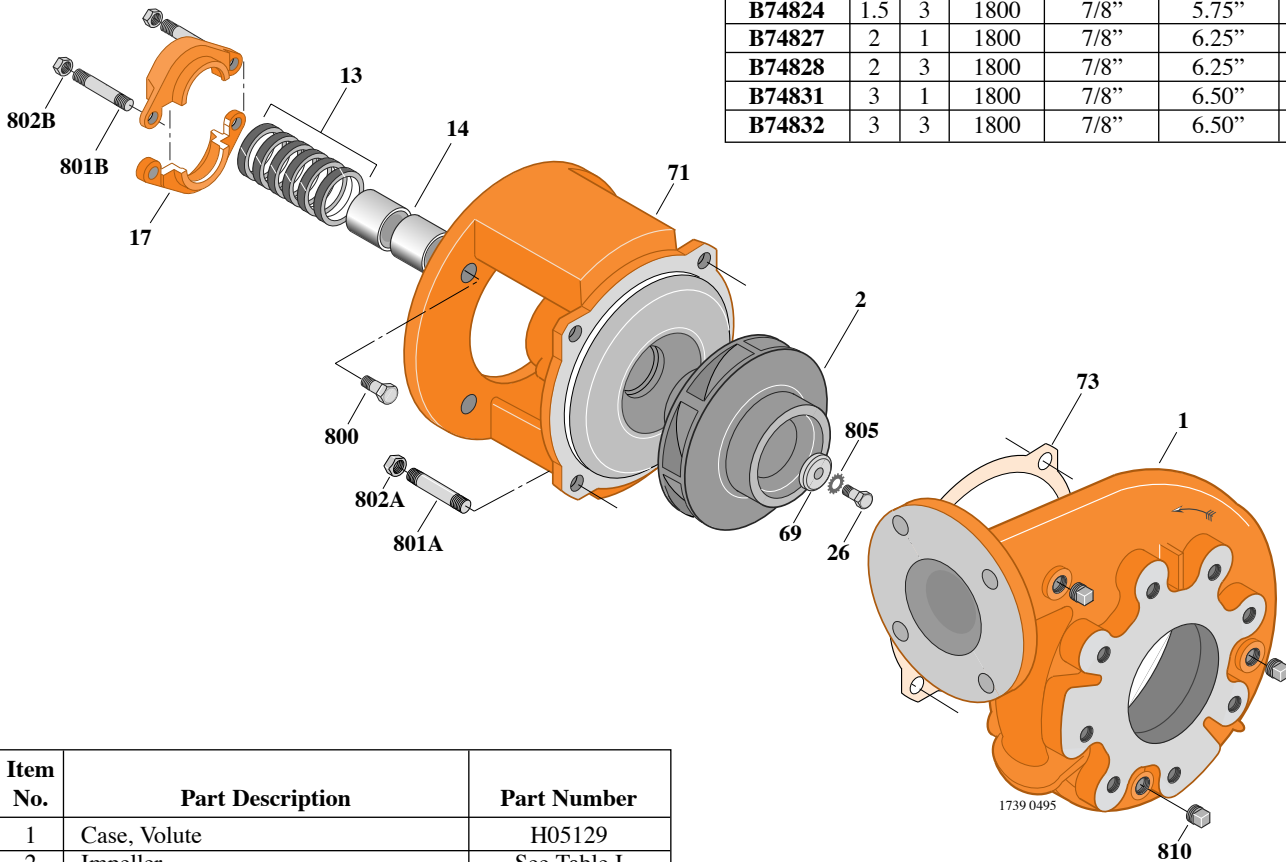
B3TPM

Flanged Case

Packing Construction

TABLE I

| B/M No. | HP | PH | RPM | "U" Dim. | Imp. Dia. | Imp. No. |
|---------|-----|----|------|----------|-----------|----------|
| B74819 | 1 | 1 | 1800 | 7/8" | 5.12" | L08174 |
| B74820 | 1 | 3 | 1800 | 7/8" | 5.12" | L08174 |
| B74823 | 1.5 | 1 | 1800 | 7/8" | 5.75" | L08172 |
| B74824 | 1.5 | 3 | 1800 | 7/8" | 5.75" | L08172 |
| B74827 | 2 | 1 | 1800 | 7/8" | 6.25" | L08168 |
| B74828 | 2 | 3 | 1800 | 7/8" | 6.25" | L08168 |
| B74831 | 3 | 1 | 1800 | 7/8" | 6.50" | L08169 |
| B74832 | 3 | 3 | 1800 | 7/8" | 6.50" | L08169 |



| Item No. | Part Description | Part Number |
|----------|------------------------------------|--------------|
| 1 | Case, Volute | H05129 |
| 2 | Impeller | See Table I |
| 13 | Rings, Packing (Set of 6) | S13469 |
| 14 | Sleeve, Shaft (2 Req.) | S00619 |
| 17 | Gland, Packing | B82469 |
| 26 | Screw, Impeller 3/8 - 16 x 1" | S23566 |
| 32 | Key, 3/16 x 1-1/4" (See Note) | S34383 |
| 69 | Washer, Impeller | S06314 |
| 71 | Bracket | See Table II |
| 73 | Gasket, Volute | S04757 |
| 800 | Capscrew, 3/8 - 16 x 7/8" (4 Req.) | S26825 |
| 801A | Stud, 1/2 - 13 x 1-1/2" (4 Req.) | S24043 |
| 801B | Stud, 3/8 - 16 x 4" (2 Req.) | S08303 |
| 802A | Nut, Hex 1/2 - 13 (4 Req.) | S23107 |
| 802B | Nut, Hex 3/8 - 16 (2 Req.) | S23343 |
| 805 | Washer, Lock | S23036 |
| 810 | Plug, Pipe 1/4" NPT (3 Req.) | S23715 |

TABLE II

| HP | PH | Bracket No. | "AK" Fit | "U" Dim. | Motor Frame |
|-----|----|-------------|----------|----------|-------------|
| 1 | 1 | L01525 | 4-1/2" | 7/8" | 143JP |
| 1 | 3 | L01525 | 4-1/2" | 7/8" | 143JP |
| 1.5 | 1 | L01525 | 4-1/2" | 7/8" | 145JP |
| 1.5 | 3 | L01525 | 4-1/2" | 7/8" | 145JP |
| 2 | 1 | L01525 | 4-1/2" | 7/8" | 182JP |
| 2 | 3 | L01525 | 4-1/2" | 7/8" | 145JP |
| 3 | 1 | L01525 | 4-1/2" | 7/8" | 184JP |
| 3 | 3 | L01525 | 4-1/2" | 7/8" | 182JP |

NOTE: For an explanation of the tabulated material found on this page and for impeller key location, refer to *Supplement A* located at the beginning of this section.



TYPE "B" SINGLE STAGE CENTRIFUGAL PUMP Electric Motor Drive

| | |
|-------------------|-----------------|
| Section | CC |
| Page | 160.20 |
| Date | January 1, 2004 |
| Supersedes 9/1/97 | |

SILICON BRONZE IMPELLER

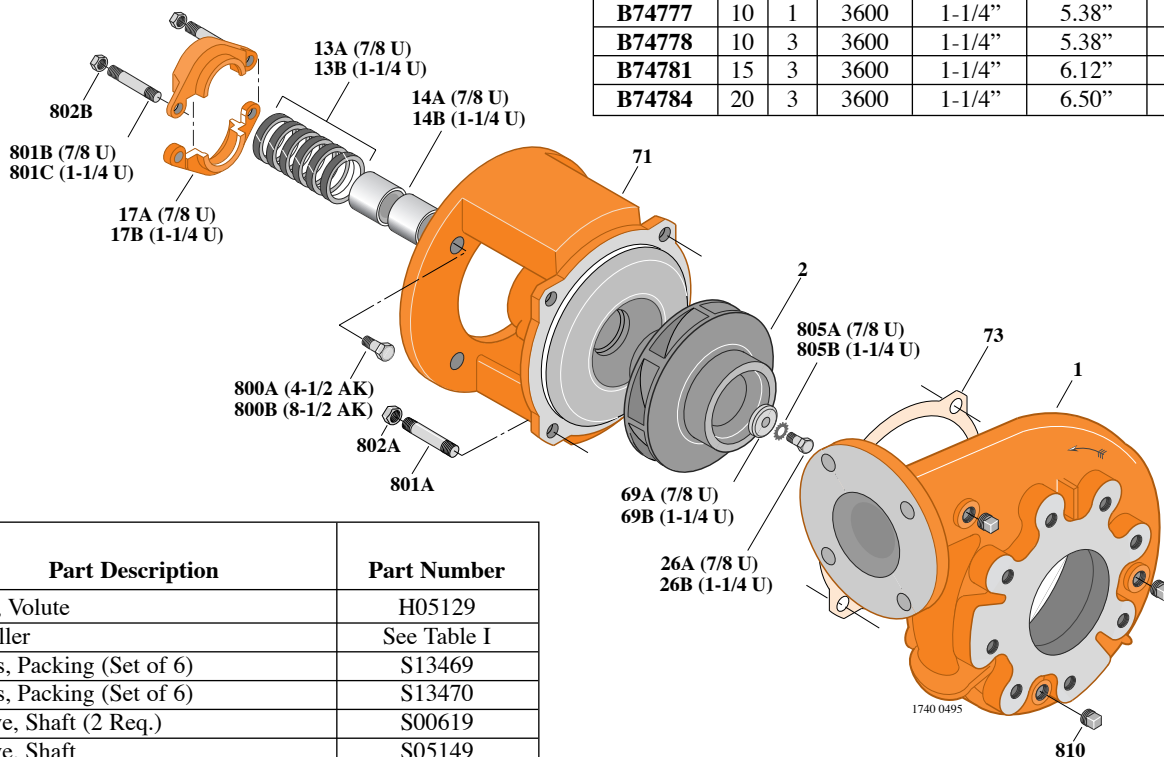
B3TPM

Flanged Case

Packing Construction

TABLE I

| B/M No. | HP | PH | RPM | "U" Dim. | Imp. Dia. | Imp. No. |
|---------|-----|----|------|----------|-----------|----------|
| B74771 | 7.5 | 1 | 3600 | 1-1/4" | 4.94" | L08183 |
| B74774 | 7.5 | 3 | 3600 | 7/8" | 4.94" | L08175 |
| B74777 | 10 | 1 | 3600 | 1-1/4" | 5.38" | L08184 |
| B74778 | 10 | 3 | 3600 | 1-1/4" | 5.38" | L08184 |
| B74781 | 15 | 3 | 3600 | 1-1/4" | 6.12" | L08186 |
| B74784 | 20 | 3 | 3600 | 1-1/4" | 6.50" | L08187 |



| Item No. | Part Description | Part Number |
|----------|------------------------------------|--------------|
| 1 | Case, Volute | H05129 |
| 2 | Impeller | See Table I |
| 13A | Rings, Packing (Set of 6) | S13469 |
| 13B | Rings, Packing (Set of 6) | S13470 |
| 14A | Sleeve, Shaft (2 Req.) | S00619 |
| 14B | Sleeve, Shaft | S05149 |
| 17A | Gland, Packing | B82469 |
| 17B | Gland, Packing | B82470 |
| 26A | Screw, Impeller 3/8 - 16 x 1" | S23566 |
| 26B | Screw, Impeller 1/2 - 13 x 1" | S23619 |
| 32A | Key, 3/16 x 1-1/4" (See Note) | S34383 |
| 32B | Key, 1/4 x 2-1/4" (See Note) | S23677 |
| 69A | Washer, Impeller | S06314 |
| 69B | Washer, Impeller | S06319 |
| 71 | Bracket | See Table II |
| 73 | Gasket, Volute | S04757 |
| 800A | Capscrew, 3/8 - 16 x 7/8" (4 Req.) | S26825 |
| 800B | Capscrew, 1/2 - 13 x 1" (4 Req.) | S26912 |
| 801A | Stud, 1/2 - 13 x 1-1/2" (4 Req.) | S24043 |
| 801B | Stud, 3/8 - 16 x 4" (2 Req.) | S08303 |
| 801C | Stud, 3/8 - 16 x 3-1/2" (2 Req.) | S04441 |
| 802A | Nut, Hex 1/2 - 13 (4 Req.) | S23107 |
| 802B | Nut, Hex 3/8 - 16 (2 Req.) | S23343 |
| 805A | Washer, Lock | S23036 |
| 805B | Washer, Lock | S23038 |
| 810 | Plug, Pipe 1/4" NPT (3 Req.) | S23715 |

TABLE II

| HP | PH | Bracket No. | "AK" Fit | "U" Dim. | Motor Frame |
|-----|----|-------------|----------|----------|-------------|
| 7.5 | 1 | L01951 | 8-1/2" | 1-1/4" | 213JP |
| 7.5 | 3 | L01525 | 4-1/2" | 7/8" | 184JP |
| 10 | 1 | L01951 | 8-1/2" | 1-1/4" | 215JP |
| 10 | 3 | L01951 | 8-1/2" | 1-1/4" | 213JP |
| 15 | 3 | L01951 | 8-1/2" | 1-1/4" | 215JP |
| 20 | 3 | L01951 | 8-1/2" | 1-1/4" | 254JP |

NOTE: For an explanation of the tabulated material found on this page and for impeller key location, refer to *Supplement A* located at the beginning of this section.



TYPE "B" SINGLE STAGE CENTRIFUGAL PUMP Electric Motor Drive

| | |
|-------------------|--------------|
| Section | CC |
| Page | 160.21 |
| Date | May 15, 2009 |
| Supersedes 1/1/04 | |

SILICON BRONZE IMPELLER

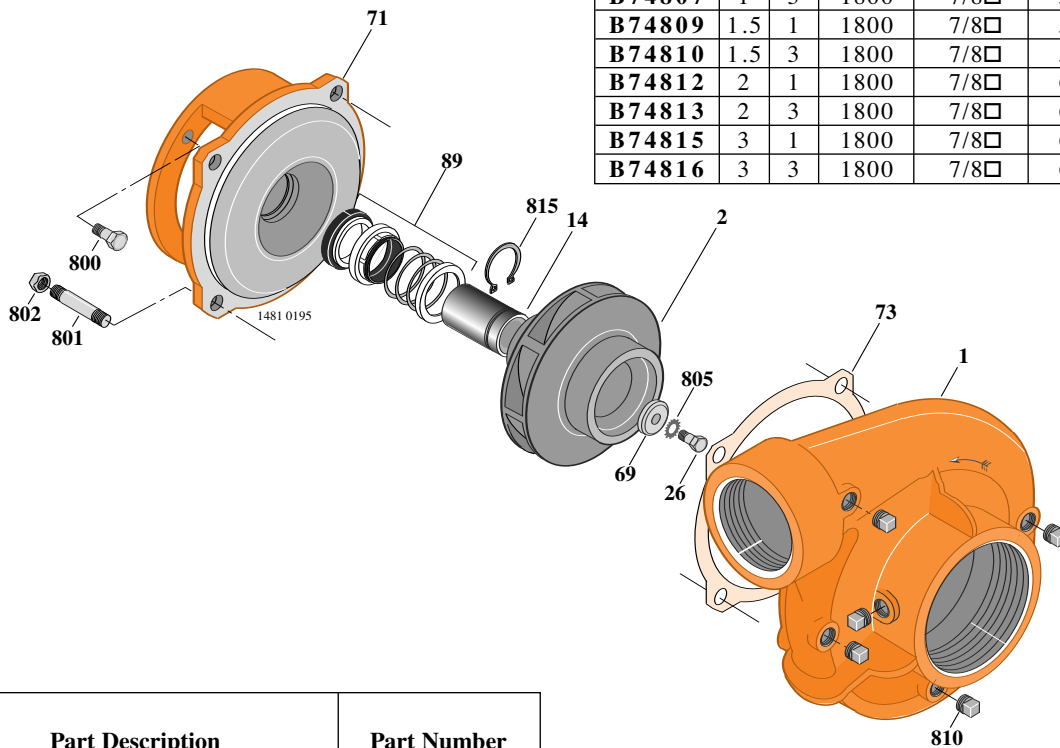
B3TPMS

Threaded Case (NPT)

Mechanical Shaft Seal Construction

TABLE I

| B/M No. | HP | PH | RPM | "U" Dim. | Imp. Dia. | Imp. No. |
|---------------|-----|----|------|----------|-----------|----------|
| B74806 | 1 | 1 | 1800 | 7/8□ | 5.12□ | L08174 |
| B74807 | 1 | 3 | 1800 | 7/8□ | 5.12□ | L08174 |
| B74809 | 1.5 | 1 | 1800 | 7/8□ | 5.75□ | L08172 |
| B74810 | 1.5 | 3 | 1800 | 7/8□ | 5.75□ | L08172 |
| B74812 | 2 | 1 | 1800 | 7/8□ | 6.25□ | L08168 |
| B74813 | 2 | 3 | 1800 | 7/8□ | 6.25□ | L08168 |
| B74815 | 3 | 1 | 1800 | 7/8□ | 6.50□ | L08169 |
| B74816 | 3 | 3 | 1800 | 7/8□ | 6.50□ | L08169 |



| Item No. | Part Description | Part Number |
|----------|---------------------------------|--------------|
| 1 | Case, Volute | L01104 |
| 2 | Impeller | See Table I |
| 14 | Sleeve, Shaft (See Note 2) | S19310L |
| 26 | Screw, Impeller 3/8 - 16 x 1□ | S23566 |
| 32 | Key, 3/16 x 1-1/4□□(See Note 1) | S34383 |
| 69 | Washer, Impeller | S06314 |
| 71 | Bracket | See Table II |
| 73 | Gasket, Volute | S04757 |
| 89 | Seal, Mechanical Shaft | S32014 |
| 800 | Capscrew, 3/8 - 16 x 1□(4 Req.) | S26826 |
| 801 | Stud, 1/2 - 13 x 1-1/2□(4 Req.) | S24043 |
| 802 | Nut, 1/2 - 13 (4 Req.) | S23107 |
| 805 | Washer, Lock | S23036 |
| 810 | Plug, Pipe 1/4□NPT (5 Req.) | S23715 |
| 815 | Ring, Retaining | S11207 |
| □ | Plug, Pipe 1/8□NPT (In Bracket) | S23714 |

□Not illustrated.

TABLE II

| HP | PH | Bracket No. | "AK" Fit | "U" Dim. | Motor Frame |
|-----|----|-------------|----------|----------|-------------|
| 1 | 1 | L05329 | 4-1/2□ | 7/8□ | 143JM |
| 1 | 3 | L05329 | 4-1/2□ | 7/8□ | 143JM |
| 1.5 | 1 | L05329 | 4-1/2□ | 7/8□ | 145JM |
| 1.5 | 3 | L05329 | 4-1/2□ | 7/8□ | 145JM |
| 2 | 1 | L05329 | 4-1/2□ | 7/8□ | 182JM |
| 2 | 3 | L05329 | 4-1/2□ | 7/8□ | 145JM |
| 3 | 1 | L05329 | 4-1/2□ | 7/8□ | 184JM |
| 3 | 3 | L05329 | 4-1/2□ | 7/8□ | 182JM |

NOTE 1: For an explanation of the tabulated material found on this page and for impeller key location, refer to **Supplement A** located at the beginning of this section.

NOTE 2: Sleeve replacement kit available. Berkeley part number B85681 includes the shaft sleeve, adhesive compound and instruction sheet.

NOTE 3: For seal flush line details, see **Supplement D**.



TYPE "B" SINGLE STAGE CENTRIFUGAL PUMP Electric Motor Drive

| | |
|-------------------|--------------|
| Section | CC |
| Page | 160.22 |
| Date | May 15, 2009 |
| Supersedes 1/1/04 | |

SILICON BRONZE IMPELLER

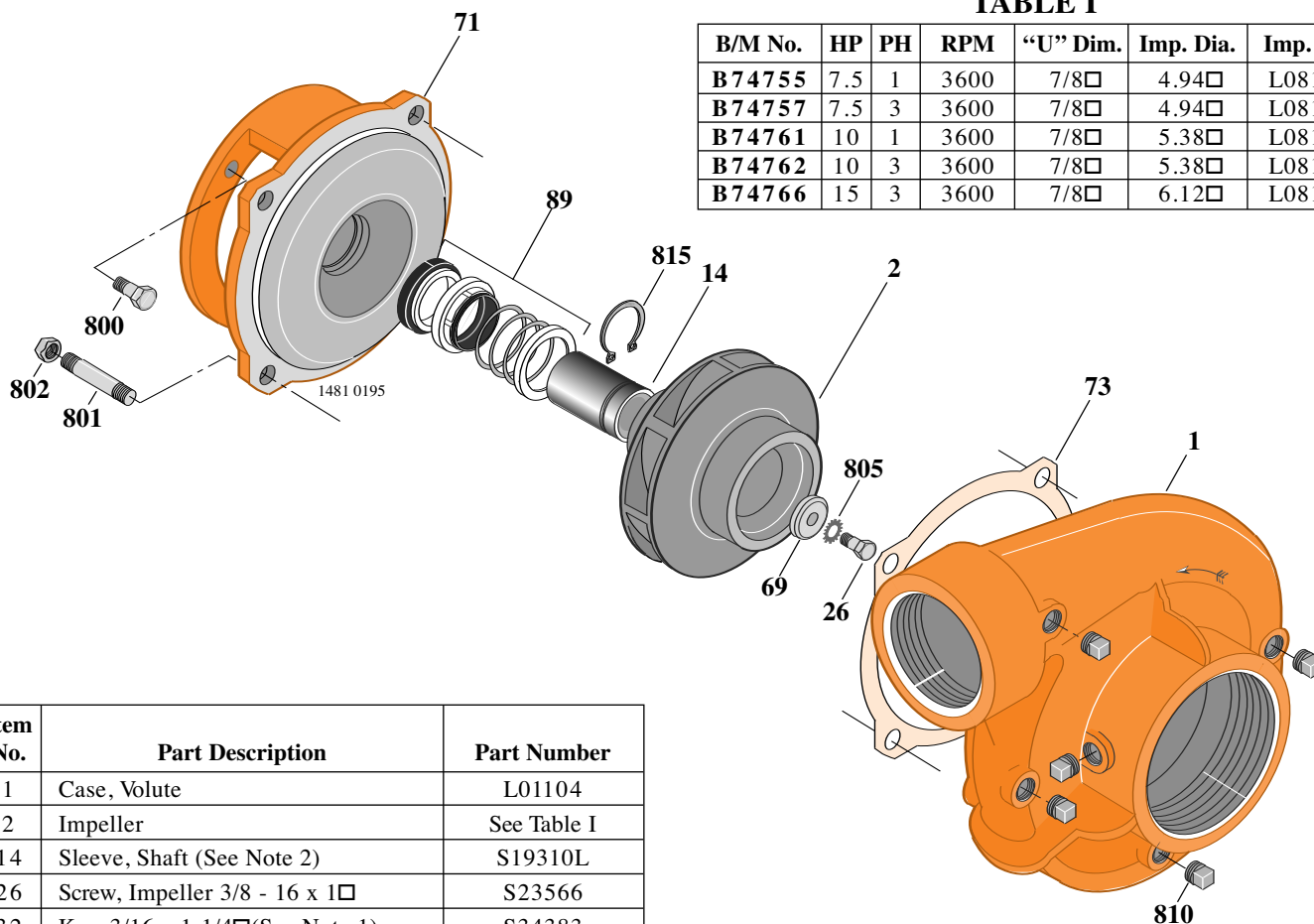
B3TPMS

Threaded Case (NPT)

Mechanical Shaft Seal Construction

TABLE I

| B/M No. | HP | PH | RPM | "U" Dim. | Imp. Dia. | Imp. No. |
|---------------|-----|----|------|----------|-----------|----------|
| B74755 | 7.5 | 1 | 3600 | 7/8□ | 4.94□ | L08175 |
| B74757 | 7.5 | 3 | 3600 | 7/8□ | 4.94□ | L08175 |
| B74761 | 10 | 1 | 3600 | 7/8□ | 5.38□ | L08173 |
| B74762 | 10 | 3 | 3600 | 7/8□ | 5.38□ | L08173 |
| B74766 | 15 | 3 | 3600 | 7/8□ | 6.12□ | L08167 |



| Item No. | Part Description | Part Number |
|----------|---|--------------|
| 1 | Case, Volute | L01104 |
| 2 | Impeller | See Table I |
| 14 | Sleeve, Shaft (See Note 2) | S19310L |
| 26 | Screw, Impeller 3/8 - 16 x 1□ | S23566 |
| 32 | Key, 3/16 x 1-1/4□(See Note 1) | S34383 |
| 69 | Washer, Impeller | S06314 |
| 71 | Bracket | See Table II |
| 73 | Gasket, Volute | S04757 |
| 89 | Seal, Mechanical Shaft | S32014 |
| 800 | Capscrew, 3/8 - 16 x 1□(4 Req.) (For 4-1/2 AK) | S26826 |
| 800 | Capscrew, 1/2 - 13 x 1□(4 Req.) (For 8-1/2 AK) | S26912 |
| 801 | Stud, 1/2 - 13 x 1-1/2□(4 Req.) | S24043 |
| 802 | Nut, 1/2 - 13 (4 Req.) | S23107 |
| 805 | Washer, Lock | S23036 |
| 810 | Plug, Pipe 1/4□NPT (5 Req.) | S23715 |
| 815 | Ring, Retaining | S11207 |
| □ | Plug, Pipe 1/8□NPT (In Bracket) | S23714 |

□Not illustrated.

TABLE II

| HP | PH | Bracket No. | "AK" Fit | "U" Dim. | Motor Frame |
|-----|----|-------------|----------|----------|-------------|
| 7.5 | 1 | L05328 | 8-1/2□ | 7/8□ | 213JM |
| 7.5 | 3 | L05329 | 4-1/2□ | 7/8□ | 184JM |
| 10 | 1 | L05328 | 8-1/2□ | 7/8□ | 215JM |
| 10 | 3 | L05328 | 8-1/2□ | 7/8□ | 213JM |
| 15 | 3 | L05328 | 8-1/2□ | 7/8□ | 215JM |

NOTE 1: For an explanation of the tabulated material found on this page and for impeller key location, refer to *Supplement A* located at the beginning of this section.

NOTE 2: Sleeve replacement kit available. Berkeley part number B85681 includes the shaft sleeve, adhesive compound and instruction sheet.

NOTE 3: For seal flush line details, see *Supplement D*.



TYPE "B" SINGLE STAGE CENTRIFUGAL PUMP Electric Motor Drive

| | |
|----------------|-------------------|
| Section | CC |
| Page | 160.23 |
| Date | September 1, 1997 |
| Supersedes/New | |

SILICON BRONZE IMPELLER

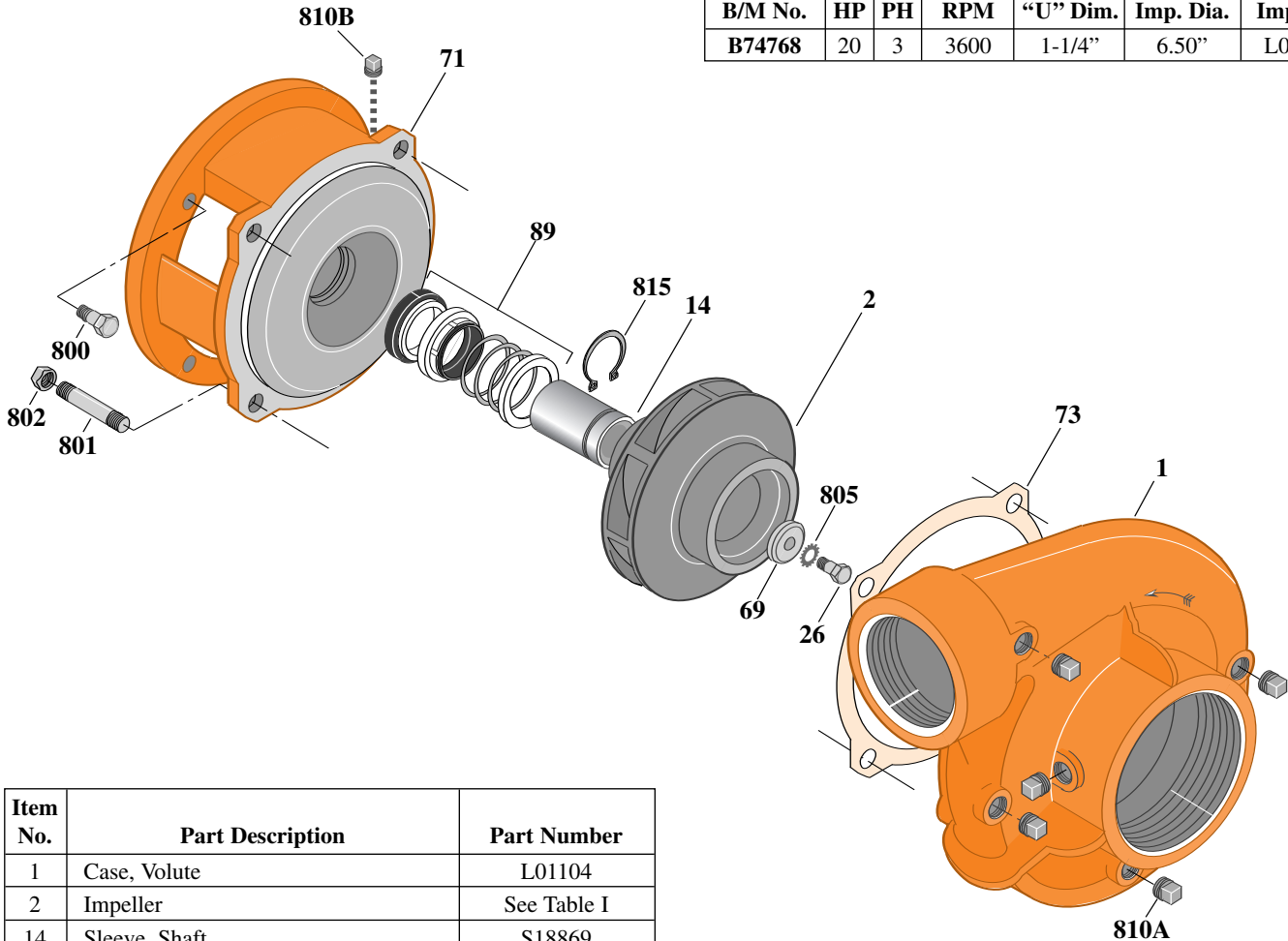
B3TPMS

Threaded Case (NPT)

Mechanical Shaft Seal Construction

TABLE I

| B/M No. | HP | PH | RPM | "U" Dim. | Imp. Dia. | Imp. No. |
|---------|----|----|------|----------|-----------|----------|
| B74768 | 20 | 3 | 3600 | 1-1/4" | 6.50" | L08187 |



| Item No. | Part Description | Part Number |
|----------|----------------------------------|--------------|
| 1 | Case, Volute | L01104 |
| 2 | Impeller | See Table I |
| 14 | Sleeve, Shaft | S18869 |
| 26 | Screw, Impeller 1/2 - 13 x 1" | S23619 |
| 32 | Key, 1/4 x 2-1/4" (See Note) | S23677 |
| 69 | Washer, Impeller | S06319 |
| 71 | Bracket | See Table II |
| 73 | Gasket, Volute | S04757 |
| 89 | Seal, Mechanical Shaft | S32015 |
| 800 | Capscrew, 1/2 - 13 x 1" (4 Req.) | S26912 |
| 801 | Stud, 1/2 - 13 x 1-1/2" (4 Req.) | S24043 |
| 802 | Nut, 1/2 - 13 (4 Req.) | S23107 |
| 805 | Washer, Lock | S23038 |
| 810A | Plug, Pipe 1/4" NPT (5 Req.) | S23715 |
| 810B | Plug, Pipe 1/8" NPT (In Bracket) | S23714 |
| 815 | Ring, Retaining | S16767 |

TABLE II

| HP | PH | Bracket No. | "AK" Fit | "U" Dim. | Motor Frame |
|----|----|-------------|----------|----------|-------------|
| 20 | 3 | L05779 | 8-1/2" | 1-1/4" | 254JM |

NOTE: For an explanation of the tabulated material found on this page and for impeller key location, refer to *Supplement A* located at the beginning of this section.

NOTE: For seal flush line details, see *Supplement D*.



TYPE "B" SINGLE STAGE CENTRIFUGAL PUMP Electric Motor Drive

| | |
|-------------------|--------------|
| Section | CC |
| Page | 160.24 |
| Date | May 15, 2009 |
| Supersedes 1/1/04 | |

SILICON BRONZE IMPELLER

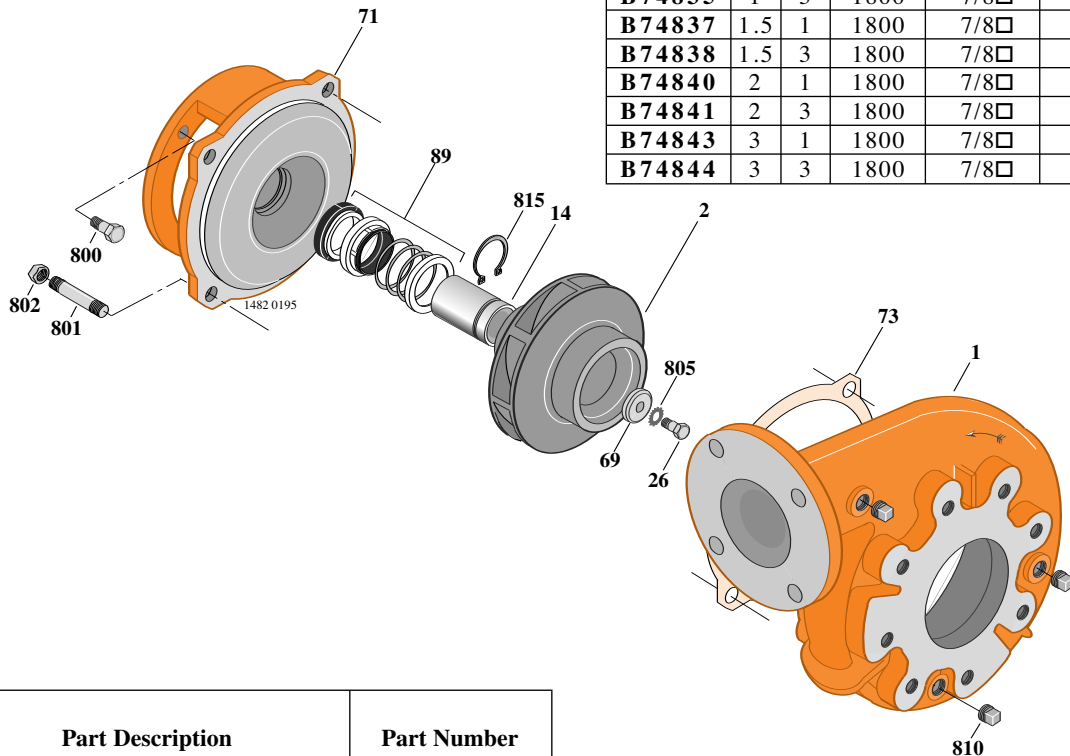
B3TPMS

Flanged Case

Mechanical Shaft Seal Construction

TABLE I

| B/M No. | HP | PH | RPM | "U" Dim. | Imp. Dia. | Imp. No. |
|---------------|-----|----|------|----------|-----------|----------|
| B74834 | 1 | 1 | 1800 | 7/8□ | 5.12□ | L08174 |
| B74835 | 1 | 3 | 1800 | 7/8□ | 5.12□ | L08174 |
| B74837 | 1.5 | 1 | 1800 | 7/8□ | 5.75□ | L08172 |
| B74838 | 1.5 | 3 | 1800 | 7/8□ | 5.75□ | L08172 |
| B74840 | 2 | 1 | 1800 | 7/8□ | 6.25□ | L08168 |
| B74841 | 2 | 3 | 1800 | 7/8□ | 6.25□ | L08168 |
| B74843 | 3 | 1 | 1800 | 7/8□ | 6.50□ | L08169 |
| B74844 | 3 | 3 | 1800 | 7/8□ | 6.50□ | L08169 |



| Item No. | Part Description | Part Number |
|----------|---------------------------------|--------------|
| 1 | Case, Volute | H05129 |
| 2 | Impeller | See Table I |
| 14 | Sleeve, Shaft (See Note 2) | S19310L |
| 26 | Screw, Impeller 3/8 - 16 x 1□ | S23566 |
| 32 | Key, 3/16 x 1-1/4□(See Note 1) | S34383 |
| 69 | Washer, Impeller | S06314 |
| 71 | Bracket | See Table II |
| 73 | Gasket, Volute | S04757 |
| 89 | Seal, Mechanical Shaft | S32014 |
| 800 | Capscrew, 3/8 - 16 x 1□(4 Req.) | S26826 |
| 801 | Stud, 1/2 - 13 x 1-1/2□(4 Req.) | S24043 |
| 802 | Nut, 1/2 - 13 (4 Req.) | S23107 |
| 805 | Washer, Lock | S23036 |
| 810 | Plug, Pipe 1/4□NPT (3 Req.) | S23715 |
| 815 | Ring, Retaining | S11207 |
| □ | Plug, Pipe 1/8□NPT (In Bracket) | S23714 |

□Not illustrated.

TABLE II

| HP | PH | Bracket No. | "AK" Fit | "U" Dim. | Motor Frame |
|-----|----|-------------|----------|----------|-------------|
| 1 | 1 | L05329 | 4-1/2□ | 7/8□ | 143JM |
| 1 | 3 | L05329 | 4-1/2□ | 7/8□ | 143JM |
| 1.5 | 1 | L05329 | 4-1/2□ | 7/8□ | 145JM |
| 1.5 | 3 | L05329 | 4-1/2□ | 7/8□ | 145JM |
| 2 | 1 | L05329 | 4-1/2□ | 7/8□ | 182JM |
| 2 | 3 | L05329 | 4-1/2□ | 7/8□ | 145JM |
| 3 | 1 | L05329 | 4-1/2□ | 7/8□ | 184JM |
| 3 | 3 | L05329 | 4-1/2□ | 7/8□ | 182JM |

NOTE 1: For an explanation of the tabulated material found on this page and for impeller key location, refer to *Supplement A* located at the beginning of this section.

NOTE 2: Sleeve replacement kit available. Berkeley part number B85681 includes the shaft sleeve, adhesive compound and instruction sheet.

NOTE 3: For seal flush line details, see *Supplement D*.



TYPE "B" SINGLE STAGE CENTRIFUGAL PUMP Electric Motor Drive

| | |
|-------------------|--------------|
| Section | CC |
| Page | 160.25 |
| Date | May 15, 2009 |
| Supersedes 1/1/04 | |

SILICON BRONZE IMPELLER

B3TPMS

Flanged Case

Mechanical Shaft Seal Construction

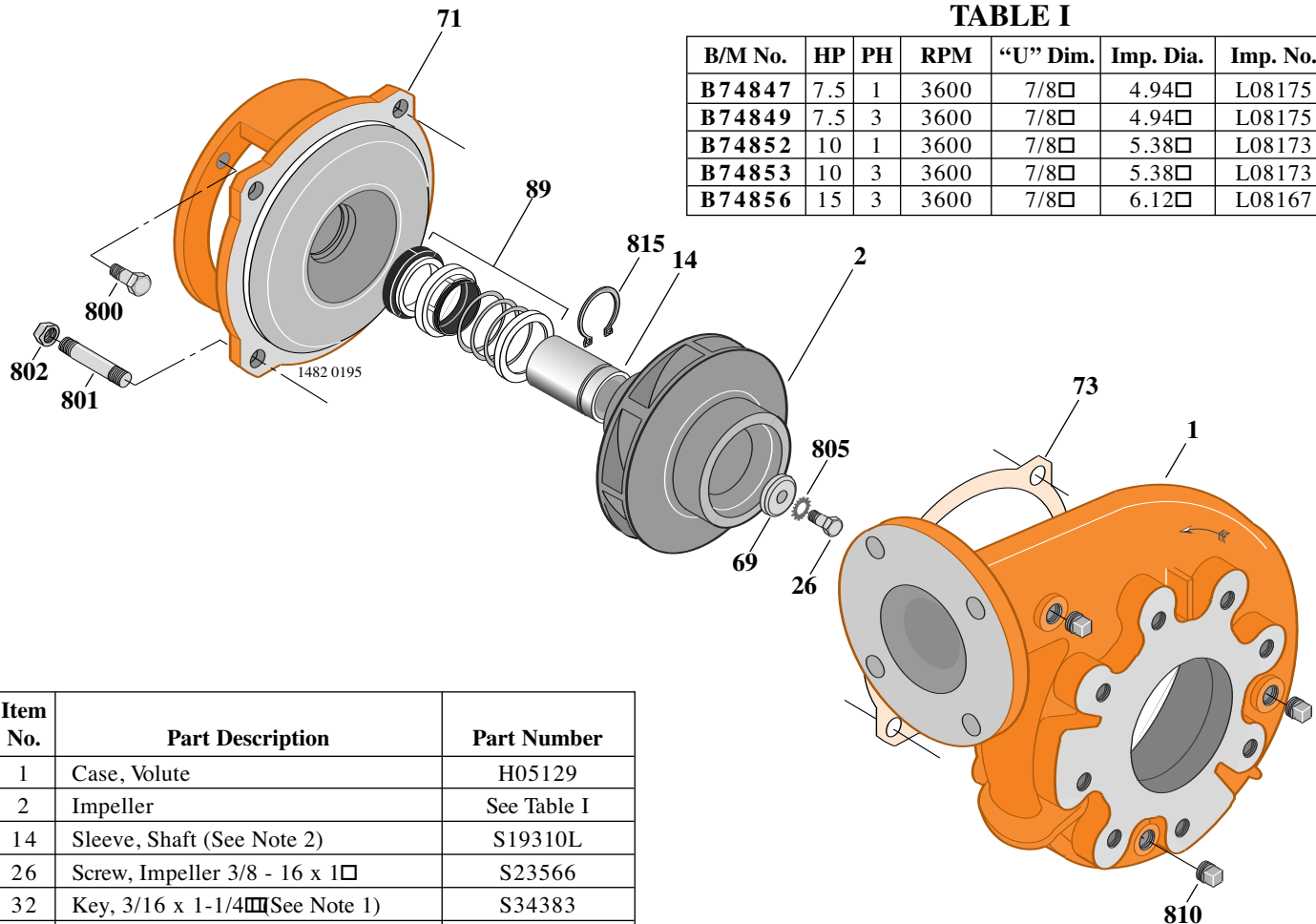


TABLE I

| B/M No. | HP | PH | RPM | "U" Dim. | Imp. Dia. | Imp. No. |
|---------|-----|----|------|----------|-----------|----------|
| B74847 | 7.5 | 1 | 3600 | 7/8□ | 4.94□ | L08175 |
| B74849 | 7.5 | 3 | 3600 | 7/8□ | 4.94□ | L08175 |
| B74852 | 10 | 1 | 3600 | 7/8□ | 5.38□ | L08173 |
| B74853 | 10 | 3 | 3600 | 7/8□ | 5.38□ | L08173 |
| B74856 | 15 | 3 | 3600 | 7/8□ | 6.12□ | L08167 |

| Item No. | Part Description | Part Number |
|----------|---|--------------|
| 1 | Case, Volute | H05129 |
| 2 | Impeller | See Table I |
| 14 | Sleeve, Shaft (See Note 2) | S19310L |
| 26 | Screw, Impeller 3/8 - 16 x 1□ | S23566 |
| 32 | Key, 3/16 x 1-1/4□(See Note 1) | S34383 |
| 40 | Washer, Impeller | S06314 |
| 71 | Bracket | See Table II |
| 73 | Gasket, Volute | S04757 |
| 89 | Seal, Mechanical Shaft | S32014 |
| 800 | Capscrew, 3/8 - 16 x 1□(4 Req.) (For 4-1/2 AK) | S26826 |
| 800 | Capscrew, 1/2 - 13 x 1□(4 Req.) (For 8-1/2 AK) | S26912 |
| 801 | Stud, 1/2 - 13 x 1-1/2□(4 Req.) | S24043 |
| 802 | Nut, 1/2 - 13 (4 Req.) | S23107 |
| 805 | Washer, Lock | S23036 |
| 810 | Plug, Pipe 1/4□NPT (3 Req.) | S23715 |
| 815 | Ring, Retaining | S11207 |
| □ | Plug, Pipe 1/8□NPT (In Bracket) | S23714 |

□Not illustrated.

TABLE II

| HP | PH | Bracket No. | "AK" Fit | "U" Dim. | Motor Frame |
|-----|----|-------------|----------|----------|-------------|
| 7.5 | 1 | L05328 | 8-1/2□ | 7/8□ | 213JM |
| 7.5 | 3 | L05329 | 4-1/2□ | 7/8□ | 184JM |
| 10 | 1 | L05328 | 8-1/2□ | 7/8□ | 215JM |
| 10 | 3 | L05328 | 8-1/2□ | 7/8□ | 213JM |
| 15 | 3 | L05328 | 8-1/2□ | 7/8□ | 215JM |

NOTE 1: For an explanation of the tabulated material found on this page and for impeller key location, refer to *Supplement A* located at the beginning of this section.

NOTE 2: Sleeve replacement kit available. Berkeley part number B85681 includes the shaft sleeve, adhesive compound and instruction sheet.

NOTE 3: For seal flush line details, see *Supplement D*.



TYPE "B" SINGLE STAGE CENTRIFUGAL PUMP Electric Motor Drive

| | |
|-------------------|-----------------|
| Section | CC |
| Page | 160.26 |
| Date | January 1, 2004 |
| Supersedes 9/1/97 | |

SILICON BRONZE IMPELLER B3TPMS

Flanged Case

Mechanical Shaft Seal Construction

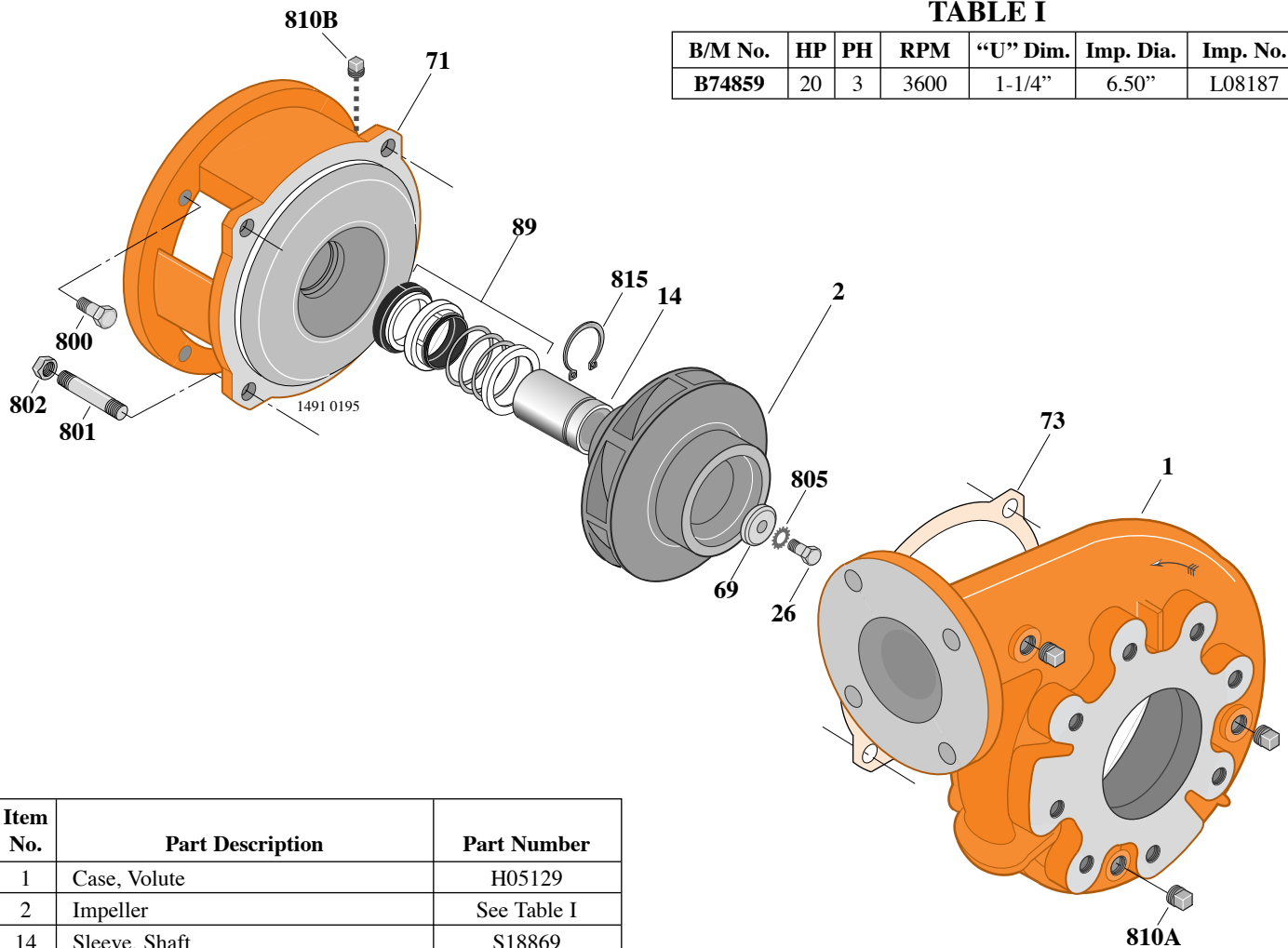


TABLE I

| B/M No. | HP | PH | RPM | "U" Dim. | Imp. Dia. | Imp. No. |
|---------|----|----|------|----------|-----------|----------|
| B74859 | 20 | 3 | 3600 | 1-1/4" | 6.50" | L08187 |

| Item No. | Part Description | Part Number |
|----------|----------------------------------|--------------|
| 1 | Case, Volute | H05129 |
| 2 | Impeller | See Table I |
| 14 | Sleeve, Shaft | S18869 |
| 26 | Screw, Impeller 1/2 - 13 x 1" | S23619 |
| 32 | Key, 1/4 x 2-1/4" (See Note) | S23677 |
| 69 | Washer, Impeller | S06319 |
| 71 | Bracket | See Table II |
| 73 | Gasket, Volute | S04757 |
| 89 | Seal, Mechanical Shaft | S32015 |
| 800 | Capscrew, 1/2 - 13 x 1" (4 Req.) | S26912 |
| 801 | Stud, 1/2 - 13 x 1-1/2" (4 Req.) | S24043 |
| 802 | Nut, 1/2 - 13 (4 Req.) | S23107 |
| 805 | Washer, Lock | S23038 |
| 810A | Plug, Pipe 1/4" NPT (3 Req.) | S23715 |
| 810B | Plug, Pipe 1/8" NPT (In Bracket) | S23714 |
| 815 | Ring, Retaining | S16767 |

TABLE II

| HP | PH | Bracket No. | "AK" Fit | "U" Dim. | Motor Frame |
|----|----|-------------|----------|----------|-------------|
| 20 | 3 | L05779 | 8-1/2" | 1-1/4" | 254JM |

NOTE: For an explanation of the tabulated material found on this page and for impeller key location, refer to *Supplement A* located at the beginning of this section.

NOTE: For seal flush line details, see *Supplement D*.



TYPE "B" SINGLE STAGE CENTRIFUGAL PUMP Electric Motor Drive

| | |
|-------------------|-----------------|
| Section | CC |
| Page | 170.1 |
| Date | January 1, 2004 |
| Supersedes 6/1/95 | |

SILICON BRONZE IMPELLER

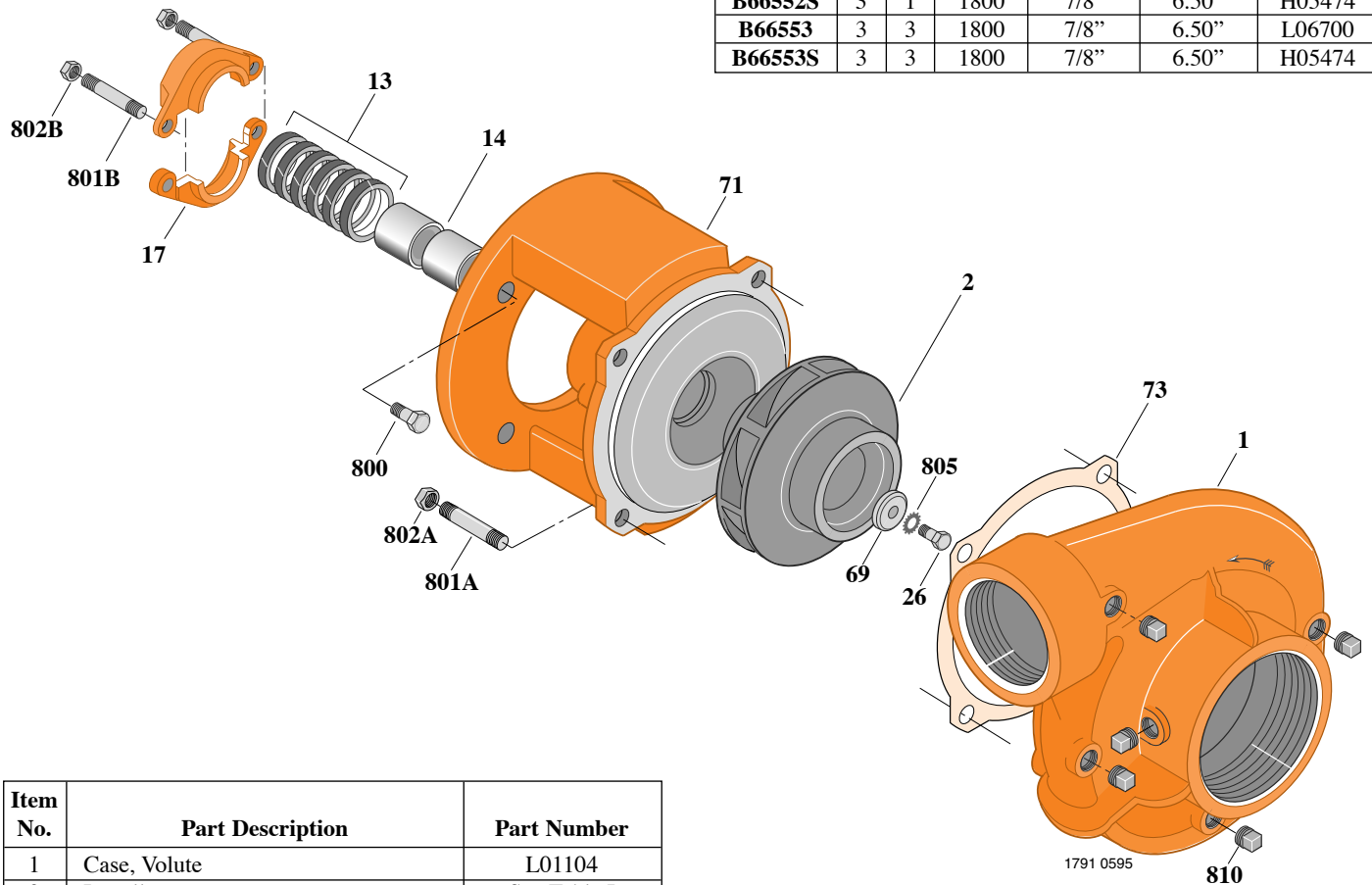
B3TPH

Threaded Case (NPT)

Packing Construction

TABLE I

| B/M No. | HP | PH | RPM | "U" Dim. | Imp. Dia. | Imp. No. |
|----------------|----|----|------|----------|-----------|----------|
| B66552 | 3 | 1 | 1800 | 7/8" | 6.50" | L06700 |
| B66552S | 3 | 1 | 1800 | 7/8" | 6.50" | H05474 |
| B66553 | 3 | 3 | 1800 | 7/8" | 6.50" | L06700 |
| B66553S | 3 | 3 | 1800 | 7/8" | 6.50" | H05474 |



| Item No. | Part Description | Part Number |
|----------|------------------------------------|--------------|
| 1 | Case, Volute | L01104 |
| 2 | Impeller | See Table I |
| 13 | Rings, Packing (Set of 6) | S13469 |
| 14 | Sleeve, Shaft (2 Req.) | S00619 |
| 17 | Gland, Packing | B82469 |
| 26 | Screw, Impeller 3/8 - 16 x 1" | S23566 |
| 32 | Key, 3/16 x 1-1/4" (See Note) | S34383 |
| 69 | Washer, Impeller | S06314 |
| 71 | Bracket | See Table II |
| 73 | Gasket, Volute | S04757 |
| 800 | Capscrew, 3/8 - 16 x 7/8" (4 Req.) | S26825 |
| 801A | Stud, 1/2 - 13 x 1-1/2" (4 Req.) | S24043 |
| 801B | Stud, 3/8 - 16 x 4" (2 Req.) | S08303 |
| 802A | Nut, Hex 1/2 - 13 (4 Req.) | S23107 |
| 802B | Nut, Hex 3/8 - 16 (2 Req.) | S23343 |
| 805 | Washer, Lock | S23036 |
| 810 | Plug, Pipe 1/4 NPT (5 Req.) | S23715 |

TABLE II

| HP | PH | Bracket No. | "AK" Fit | "U" Dim. | Motor Frame |
|----|----|-------------|----------|----------|-------------|
| 3 | 1 | L01525 | 4-1/2" | 7/8" | 184JP |
| 3 | 3 | L01525 | 4-1/2" | 7/8" | 182JP |

NOTE: For an explanation of the tabulated material found on this page and for impeller key location, refer to *Supplement A* located at the beginning of this section.



TYPE "B" SINGLE STAGE CENTRIFUGAL PUMP Electric Motor Drive

| | |
|-------------------|-----------------|
| Section | CC |
| Page | 170.2 |
| Date | January 1, 2004 |
| Supersedes 6/1/95 | |

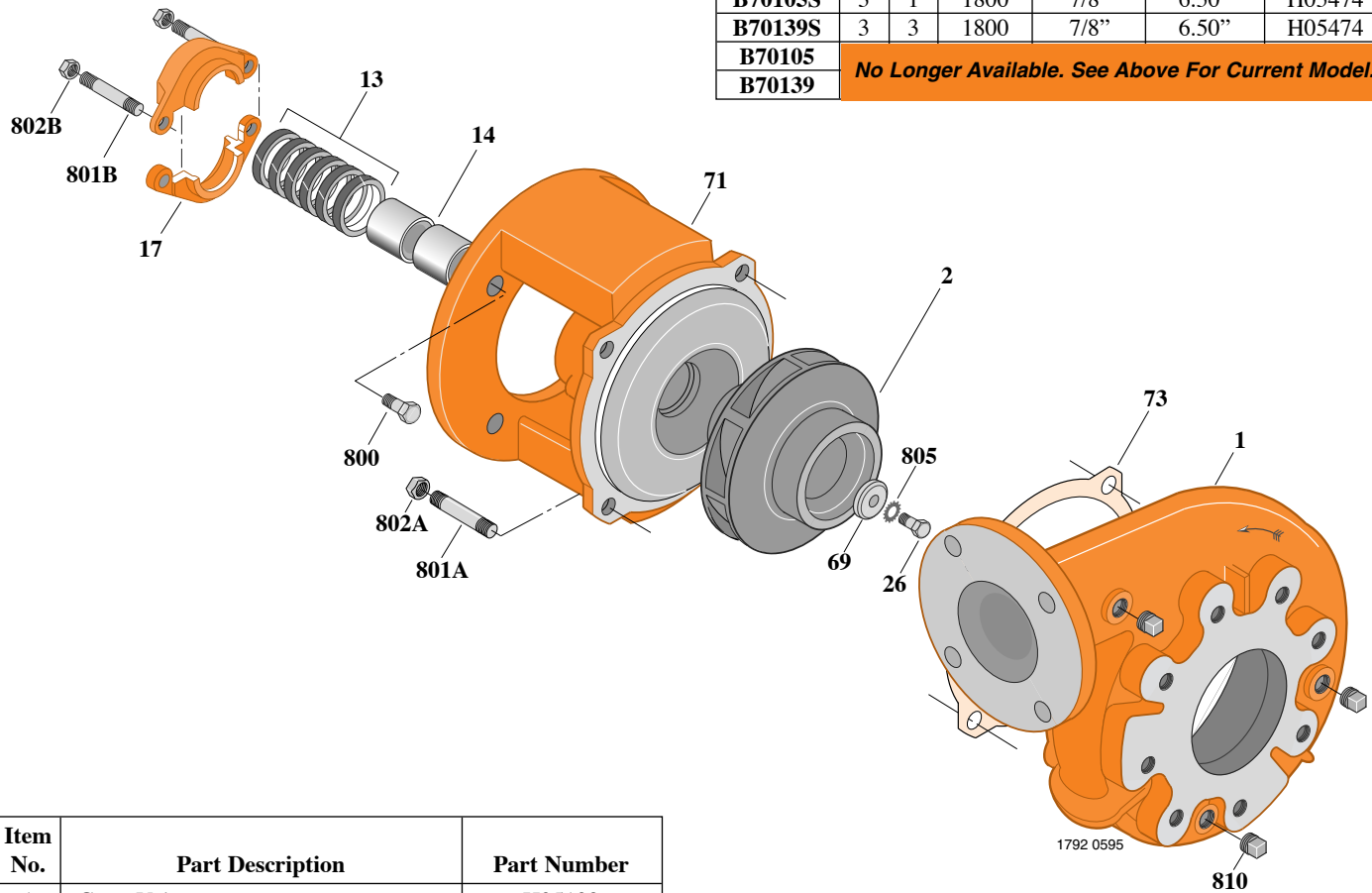
SILICON BRONZE IMPELLER B3TPH

Flanged Case

Packing Construction

TABLE I

| B/M No. | HP | PH | RPM | "U" Dim. | Imp. Dia. | Imp. No. |
|----------------|--|----|------|----------|-----------|----------|
| B70105S | 3 | 1 | 1800 | 7/8" | 6.50" | H05474 |
| B70139S | 3 | 3 | 1800 | 7/8" | 6.50" | H05474 |
| B70105 | <i>No Longer Available. See Above For Current Model.</i> | | | | | |
| B70139 | <i>No Longer Available. See Above For Current Model.</i> | | | | | |



| Item No. | Part Description | Part Number |
|----------|------------------------------------|--------------|
| 1 | Case, Volute | H05129 |
| 2 | Impeller | See Table I |
| 13 | Rings, Packing (Set of 6) | S13469 |
| 14 | Sleeve, Shaft (2 Req.) | S00619 |
| 17 | Gland, Packing | B82469 |
| 26 | Screw, Impeller 3/8 - 16 x 1" | S23566 |
| 32 | Key, 3/16 x 1-1/4" (See Note) | S34383 |
| 69 | Washer, Impeller | S06314 |
| 71 | Bracket | See Table II |
| 73 | Gasket, Volute | S04757 |
| 800 | Capscrew, 3/8 - 16 x 7/8" (4 Req.) | S26825 |
| 801A | Stud, 1/2 - 13 x 1-1/2" (4 Req.) | S23043 |
| 801B | Stud, 3/8 - 16 x 4" (2 Req.) | S08303 |
| 802A | Nut, Hex 1/2 - 13 (4 Req.) | S23107 |
| 802B | Nut, Hex 3/8 - 16 (3 Req.) | S23343 |
| 805 | Washer, Lock | S23036 |
| 810 | Plug, Pipe 1/4 NPT (5 Req.) | S23715 |

TABLE II

| HP | PH | Bracket No. | "AK" Fit | "U" Dim. | Motor Frame |
|----|----|-------------|----------|----------|-------------|
| 3 | 1 | L01525 | 4-1/2" | 7/8" | 184JP |
| 3 | 3 | L01525 | 4-1/2" | 7/8" | 182JP |

NOTE: For an explanation of the tabulated material found on this page and for impeller key location, refer to *Supplement A* located at the beginning of this section.



TYPE "B" SINGLE STAGE CENTRIFUGAL PUMP Electric Motor Drive

| | |
|-------------------|-----------------|
| Section | CC |
| Page | 170.3 |
| Date | January 1, 2004 |
| Supersedes 6/1/95 | |

BRONZE IMPELLER

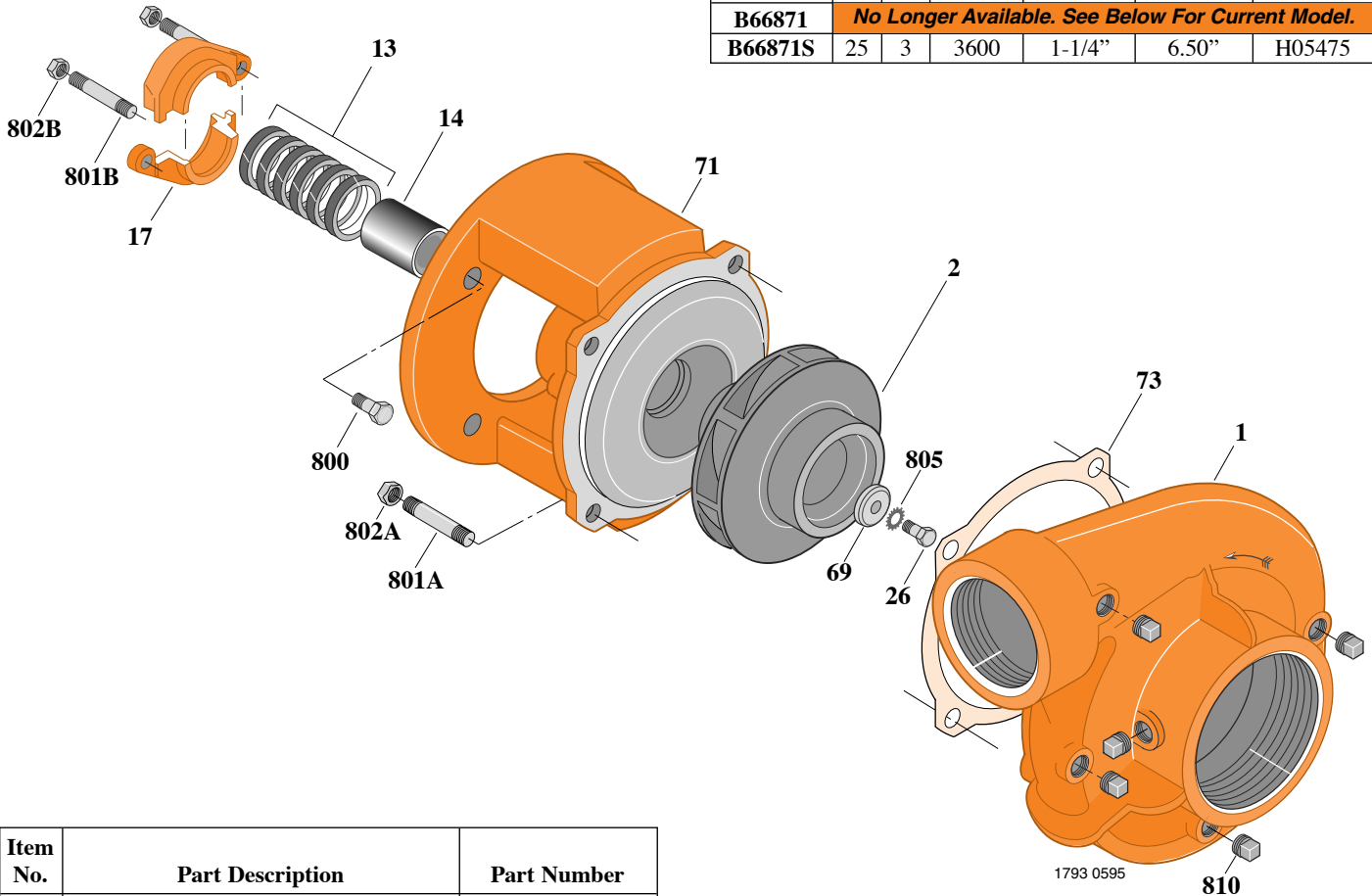
B3TPH

Threaded Case (NPT)

Packing Construction

TABLE I

| B/M No. | HP | PH | RPM | "U" Dim. | Imp. Dia. | Imp. No. |
|---------|--|----|------|----------|-----------|----------|
| B66871 | <i>No Longer Available. See Below For Current Model.</i> | | | | | |
| B66871S | 25 | 3 | 3600 | 1-1/4" | 6.50" | H05475 |



| Item No. | Part Description | Part Number |
|----------|----------------------------------|--------------|
| 1 | Case, Volute | L01104 |
| 2 | Impeller | See Table I |
| 13 | Rings, Packing (Set of 6) | S13470 |
| 14 | Sleeve, Shaft | S05149 |
| 17 | Gland, Packing | B82470 |
| 26 | Screw, Impeller 1/2 - 13 x 1" | S23619 |
| 32 | Key, 1/4 x 2-1/4" (See Note) | S23677 |
| 69 | Washer, Impeller | S06319 |
| 71 | Bracket | See Table II |
| 73 | Gasket, Volute | S04757 |
| 800 | Capscrew, 1/2 - 13 x 1" (4 Req.) | S26912 |
| 801A | Stud, 1/2 - 13 x 1-1/2" (4 Req.) | S24043 |
| 801B | Stud, 3/8 - 16 x 3-1/2" (2 Req.) | S04441 |
| 802A | Nut, Hex 1/2 - 13 (4 Req.) | S23107 |
| 802B | Nut, Hex 3/8 - 16 (2 Req.) | S23343 |
| 805 | Washer, Lock | S23038 |
| 810 | Plug, Pipe 1/4 NPT (5 Req.) | S23715 |

TABLE II

| HP | PH | Bracket No. | "AK" Fit | "U" Dim. | Motor Frame |
|----|----|-------------|----------|----------|-------------|
| 25 | 3 | L01951 | 8-1/2" | 1-1/4" | 256JP |

NOTE: For an explanation of the tabulated material found on this page and for impeller key location, refer to *Supplement A* located at the beginning of this section.



TYPE "B" SINGLE STAGE CENTRIFUGAL PUMP Electric Motor Drive

| | |
|-------------------|-----------------|
| Section | CC |
| Page | 170.4 |
| Date | January 1, 2004 |
| Supersedes 6/1/95 | |

BRONZE IMPELLER

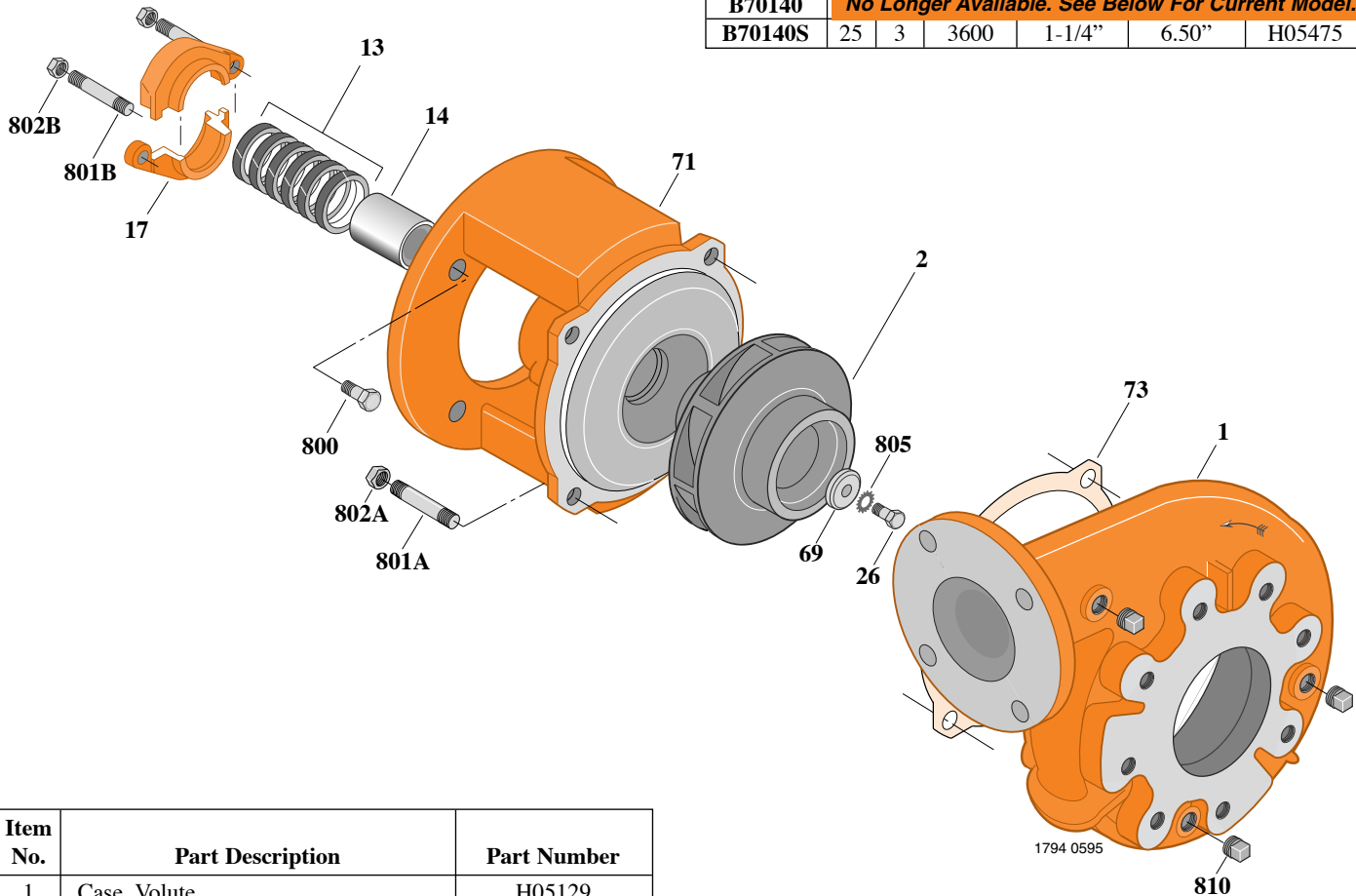
B3TPH

Flanged Case

Packing Construction

TABLE I

| B/M No. | HP | PH | RPM | "U" Dim. | Imp. Dia. | Imp. No. |
|---------|--|----|------|----------|-----------|----------|
| B70140 | No Longer Available. See Below For Current Model. | | | | | |
| B70140S | 25 | 3 | 3600 | 1-1/4" | 6.50" | H05475 |



| Item No. | Part Description | Part Number |
|----------|----------------------------------|--------------|
| 1 | Case, Volute | H05129 |
| 2 | Impeller | See Table I |
| 13 | Rings, Packing (Set of 6) | S13470 |
| 14 | Sleeve, Shaft | S05149 |
| 17 | Gland, Packing | B82470 |
| 26 | Screw, Impeller 1/2 - 13 x 1" | S23619 |
| 32 | Key, 1/4 x 2-1/4" (See Note) | S23677 |
| 69 | Washer, Impeller | S06319 |
| 71 | Bracket | See Table II |
| 73 | Gasket, Volute | S04757 |
| 800 | Capscrew, 1/2 - 13 x 1" (4 Req.) | S26912 |
| 801A | Stud, 1/2 - 13 x 1-1/2" (4 Req.) | S23043 |
| 801B | Stud, 3/8 - 16 x 3-1/2" (2 Req.) | S04441 |
| 802A | Nut, Hex 1/2 - 13 (4 Req.) | S23017 |
| 802B | Nut, Hex 3/8 - 16 (2 Req.) | S23343 |
| 805 | Washer, Lock | S23038 |
| 810 | Plug, Pipe 1/4 NPT (5 Req.) | S23715 |

TABLE II

| HP | PH | Bracket No. | "AK" Fit | "U" Dim. | Motor Frame |
|----|----|-------------|----------|----------|-------------|
| 25 | 3 | L01951 | 8-1/2" | 1-1/4" | 256JP |

NOTE: For an explanation of the tabulated material found on this page and for impeller key location, refer to *Supplement A* located at the beginning of this section.



TYPE "B" SINGLE STAGE CENTRIFUGAL PUMP Electric Motor Drive

| | |
|----------------|-----------------|
| Section | CC |
| Page | 170.45 |
| Date | January 1, 2004 |
| Supersedes/New | |

SILICON BRONZE IMPELLER

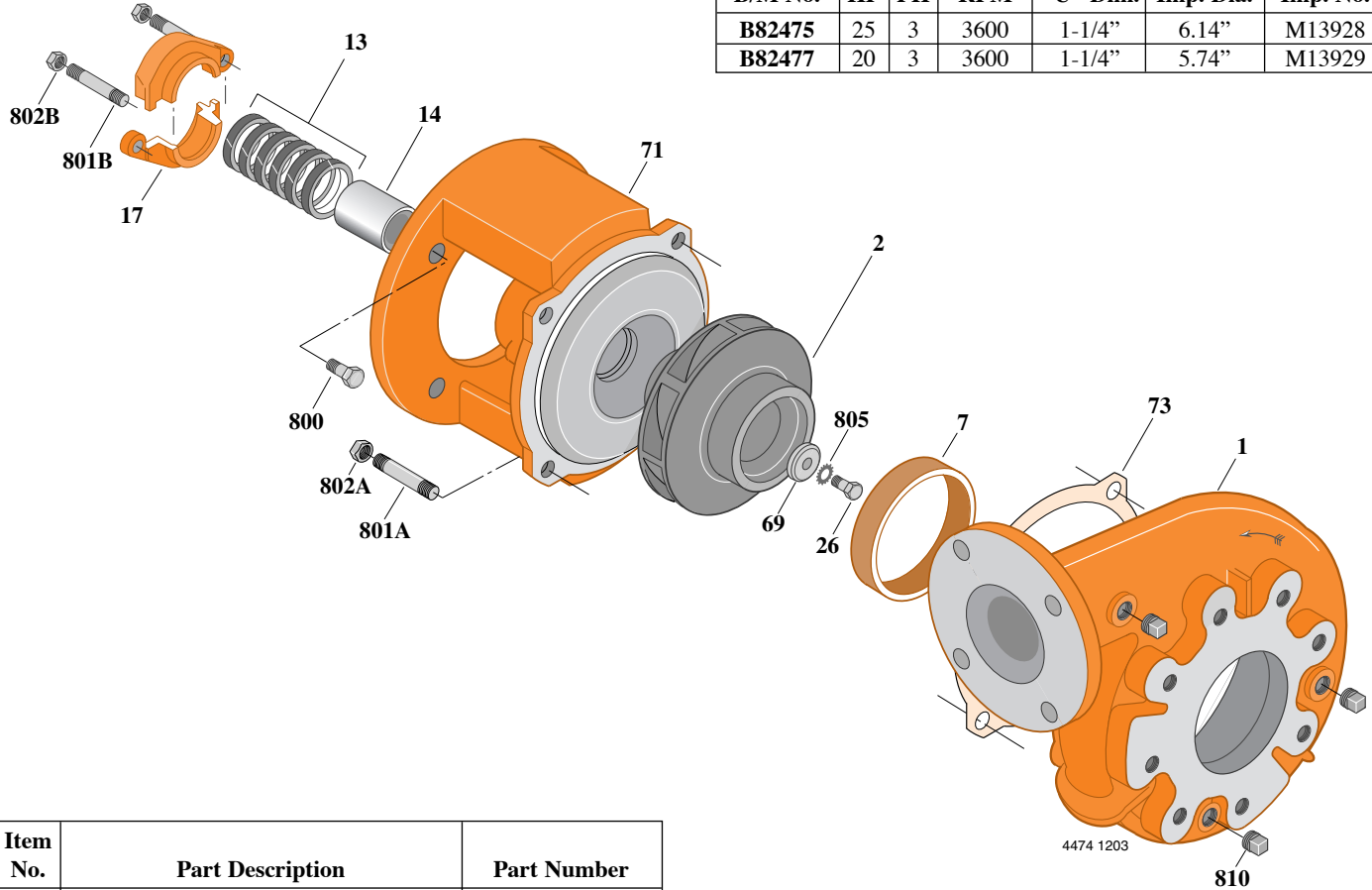
B3TPHH

Flanged Case

Packing Construction

TABLE I

| B/M No. | HP | PH | RPM | "U" Dim. | Imp. Dia. | Imp. No. |
|---------|----|----|------|----------|-----------|----------|
| B82475 | 25 | 3 | 3600 | 1-1/4" | 6.14" | M13928 |
| B82477 | 20 | 3 | 3600 | 1-1/4" | 5.74" | M13929 |



| Item No. | Part Description | Part Number |
|----------|----------------------------------|--------------|
| 1 | Case, Volute | M13925 |
| 2 | Impeller | See Table I |
| 7 | Ring, Wearing | M13926 |
| 13 | Rings, Packing (Set of 6) | S13470 |
| 14 | Sleeve, Shaft | S05149 |
| 17 | Gland, Packing | B82470 |
| 26 | Screw, Impeller 1/2 - 13 x 1" | S23619 |
| 32 | Key, 1/4 x 2-1/4" (See Note) | S23677 |
| 69 | Washer, Impeller | M13927 |
| 71 | Bracket | See Table II |
| 73 | Gasket, Volute | S04757 |
| 800 | Capscrew, 1/2 - 13 x 1" (4 Req.) | S26912 |
| 801A | Stud, 1/2 - 13 x 1-1/2" (4 Req.) | S24043 |
| 801B | Stud, 3/8 - 16 x 3-1/2" (2 Req.) | S04441 |
| 802A | Nut, Hex 1/2 - 13 (2 Req.) | S26460 |
| 802B | Nut, Hex 3/8 - 16 (3 Req.) | S23343 |
| 805 | Washer, Lock | S23038 |
| 810 | Plug, Pipe 1/4 NPT (5 Req.) | S23715 |

TABLE II

| HP | PH | Bracket No. | "AK" Fit | "U" Dim. | Motor Frame |
|----|----|-------------|----------|----------|-------------|
| 25 | 3 | L01951 | 8-1/2" | 1-1/4" | 256JP |
| 20 | 3 | L01951 | 8-1/2" | 1-1/4" | 254JP |

NOTE: For an explanation of the tabulated material found on this page and for impeller key location, refer to *Supplement A* located at the beginning of this section.



TYPE "B" SINGLE STAGE CENTRIFUGAL PUMP Electric Motor Drive

| | |
|-------------------|--------------|
| Section | CC |
| Page | 170.5 |
| Date | May 15, 2009 |
| Supersedes 1/1/04 | |

BRONZE IMPELLER

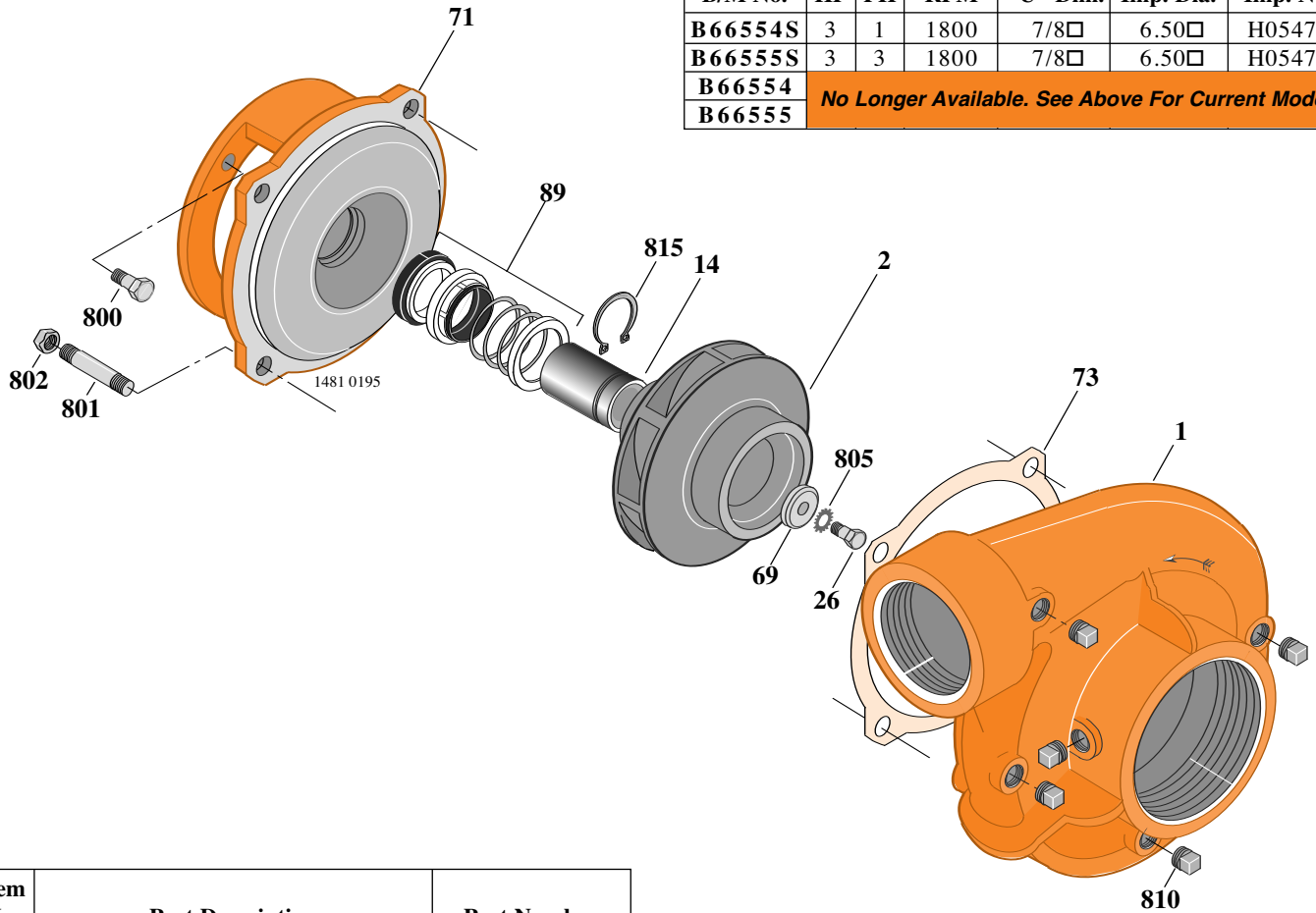
B3TPHS

Threaded Case (NPT)

Mechanical Shaft Seal Construction

TABLE I

| B/M No. | HP | PH | RPM | "U" Dim. | Imp. Dia. | Imp. No. |
|----------------|--|----|------|----------|-----------|----------|
| B66554S | 3 | 1 | 1800 | 7/8□ | 6.50□ | H05474 |
| B66555S | 3 | 3 | 1800 | 7/8□ | 6.50□ | H05474 |
| B66554 | No Longer Available. See Above For Current Model. | | | | | |
| B66555 | No Longer Available. See Above For Current Model. | | | | | |



| Item No. | Part Description | Part Number |
|----------|---------------------------------|--------------|
| 1 | Case, Volute | L01104 |
| 2 | Impeller | See Table I |
| 14 | Sleeve, Shaft (See Note 2) | S19310L |
| 26 | Screw, Impeller 3/8 - 16 x 1□ | S23566 |
| 32 | Key, 3/16 x 1-1/4□(See Note 1) | S34383 |
| 69 | Washer, Impeller | S06314 |
| 71 | Bracket | See Table II |
| 73 | Gasket, Volute | S04757 |
| 89 | Seal, Mechanical Shaft | S32014 |
| 800A | Capscrew, 3/8 - 16 x 1□ | S23566 |
| 800B | Capscrew, 3/8 - 16 x 1□(4 Req.) | S26826 |
| 801 | Stud, 1/2 - 13 x 1-1/2□(4 Req.) | S24043 |
| 802 | Nut, 1/2 - 13 (4 Req.) | S23107 |
| 805 | Washer, Lock | S23036 |
| 810 | Plug, Pipe (5 Req.) | S23715 |
| 815 | Ring, Retaining | S11207 |

TABLE II

| HP | PH | Bracket No. | "AK" Fit | "U" Dim. | Motor Frame |
|----|----|-------------|----------|----------|-------------|
| 3 | 1 | L05329 | 4-1/2□ | 7/8□ | 184JM |
| 3 | 3 | L05329 | 4-1/2□ | 7/8□ | 182JM |

NOTE 1: For an explanation of the tabulated material found on this page and for impeller key location, refer to **Supplement A** located at the beginning of this section.

NOTE 2: Sleeve replacement kit available. Berkeley part number B85681 includes the shaft sleeve, adhesive compound and instruction sheet.



TYPE "B" SINGLE STAGE CENTRIFUGAL PUMP Electric Motor Drive

| | |
|-------------------|--------------|
| Section | CC |
| Page | 170.6 |
| Date | May 15, 2009 |
| Supersedes 1/1/04 | |

BRONZE IMPELLER

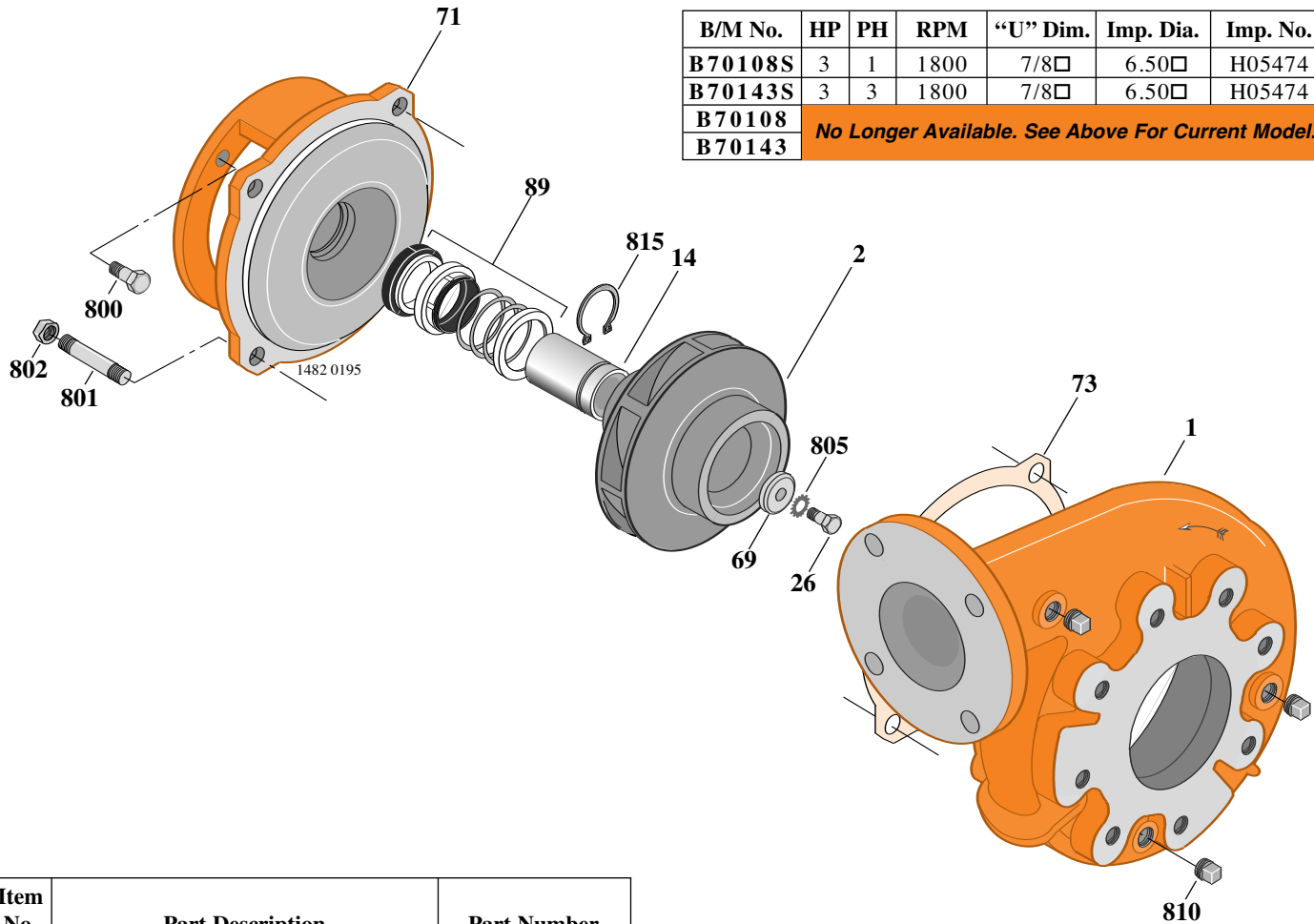
B3TPHS

Flanged Case

Mechanical Shaft Seal Construction

TABLE I

| B/M No. | HP | PH | RPM | "U" Dim. | Imp. Dia. | Imp. No. |
|---------|--|----|------|----------|-----------|----------|
| B70108S | 3 | 1 | 1800 | 7/8□ | 6.50□ | H05474 |
| B70143S | 3 | 3 | 1800 | 7/8□ | 6.50□ | H05474 |
| B70108 | <i>No Longer Available. See Above For Current Model.</i> | | | | | |
| B70143 | <i>No Longer Available. See Above For Current Model.</i> | | | | | |



| Item No. | Part Description | Part Number |
|----------|---------------------------------|--------------|
| 1 | Case, Volute | H05129 |
| 2 | Impeller | See Table I |
| 14 | Sleeve, Shaft (See Note 2) | S19310L |
| 26 | Screw, Impeller 3/8 - 16 x 1□ | S23566 |
| 32 | Key, 3/16 x 1-1/4□(See Note 1) | S34383 |
| 69 | Washer, Impeller | S06314 |
| 71 | Bracket | See Table II |
| 73 | Gasket, Volute | S04757 |
| 89 | Seal, Mechanical Shaft | S32014 |
| 800A | Capscrew, 3/8 - 16 x 1□ | S23566 |
| 800B | Capscrew, 3/8 - 16 x 1□(4 Req.) | S26826 |
| 801 | Stud, 1/2 - 13 x 1-1/2□(4 Req.) | S24043 |
| 802 | Nut, 1/2 - 13 (4 Req.) | S23107 |
| 805 | Washer, Lock | S23036 |
| 810 | Plug, Pipe 1/4 NPT (5 Req.) | S23715 |
| 815 | Ring, Retaining | S11207 |

TABLE II

| HP | PH | Bracket No. | "AK" Fit | "U" Dim. | Motor Frame |
|----|----|-------------|----------|----------|-------------|
| 3 | 1 | L05329 | 4-1/2□ | 7/8□ | 184JM |
| 3 | 3 | L05329 | 4-1/2□ | 7/8□ | 182JM |

NOTE 1: For an explanation of the tabulated material found on this page and for impeller key location, refer to *Supplement A* located at the beginning of this section.

NOTE 2: Sleeve replacement kit available. Berkeley part number B85681 includes the shaft sleeve, adhesive compound and instruction sheet.



TYPE "B" SINGLE STAGE CENTRIFUGAL PUMP Electric Motor Drive

| | |
|-------------------|-----------------|
| Section | CC |
| Page | 170.7 |
| Date | January 1, 2004 |
| Supersedes 6/1/95 | |

BRONZE IMPELLER

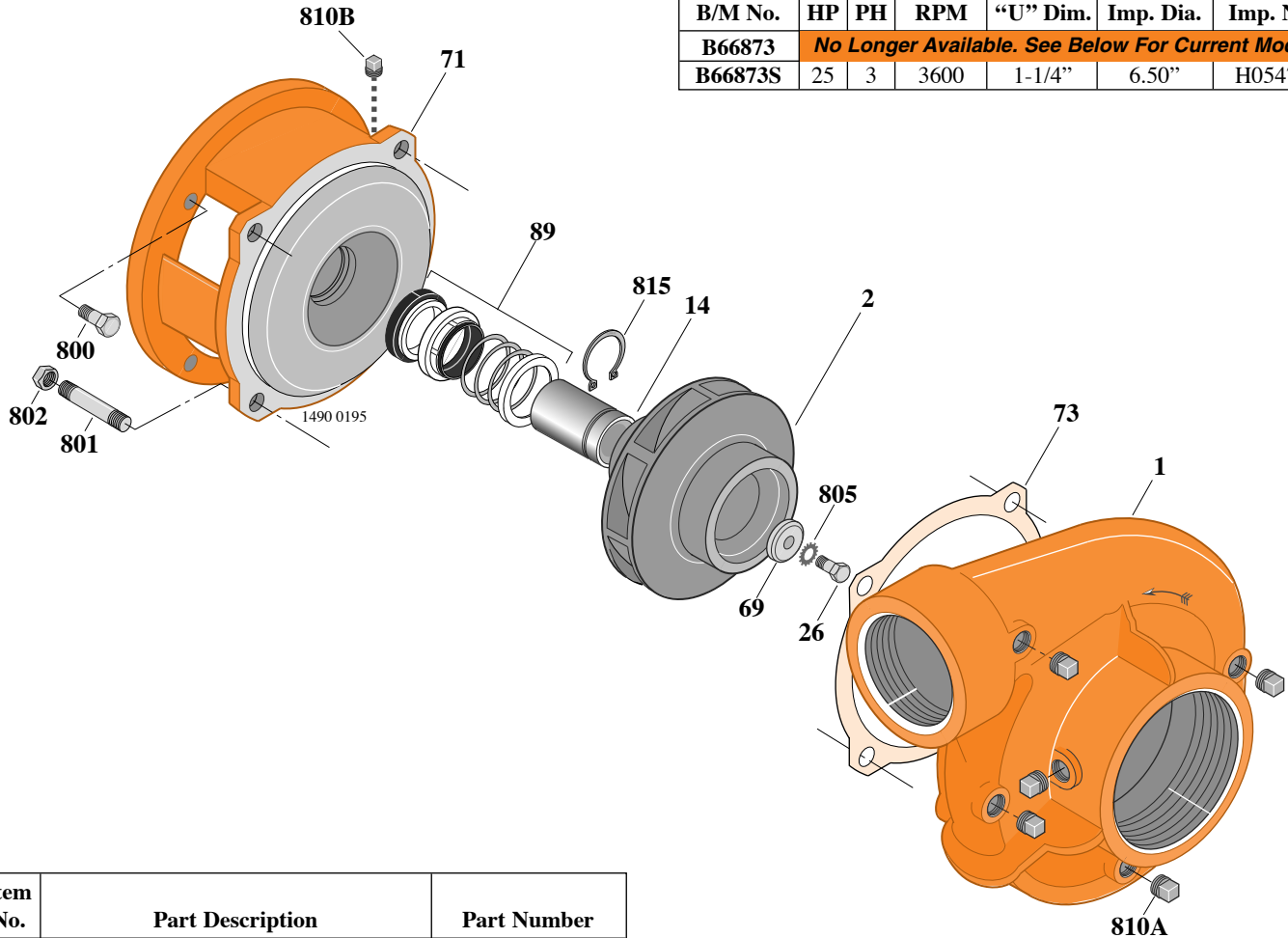
B3TPHS

Threaded Case (NPT)

Mechanical Shaft Seal Construction

TABLE I

| B/M No. | HP | PH | RPM | "U" Dim. | Imp. Dia. | Imp. No. |
|----------------|--|----|------|----------|-----------|----------|
| B66873 | No Longer Available. See Below For Current Model. | | | | | |
| B66873S | 25 | 3 | 3600 | 1-1/4" | 6.50" | H05475 |



| Item No. | Part Description | Part Number |
|----------|----------------------------------|--------------|
| 1 | Case, Volute | L01104 |
| 2 | Impeller | See Table I |
| 14 | Sleeve, Shaft | S18869 |
| 26 | Screw, Impeller 3/8 - 16 x 1" | S23566 |
| 32 | Key, 1/4 x 2-1/4" (See Note) | S23677 |
| 69 | Washer, Impeller | S06319 |
| 71 | Bracket | See Table II |
| 73 | Gasket, Volute | S04757 |
| 89 | Seal, Mechanical Shaft | S32015 |
| 800A | Capscrew, 1/2 - 13 x 1" | S23619 |
| 800B | Capscrew, 1/2 - 13 x 1" (4 Req.) | S26912 |
| 801 | Stud, 1/2 - 13 x 1-1/2" (4 Req.) | S24043 |
| 802 | Nut, 1/2 - 13 (4 Req.) | S23107 |
| 805 | Washer, Lock | S23038 |
| 810 | Plug, Pipe (5 Req.) | S23715 |
| 815 | Ring, Retaining | S16767 |

TABLE II

| HP | PH | Bracket No. | "AK" Fit | "U" Dim. | Motor Frame |
|----|----|-------------|----------|----------|-------------|
| 25 | 3 | L05779 | 8-1/2" | 1-1/4" | 256JM |

NOTE: For an explanation of the tabulated material found on this page and for impeller key location, refer to *Supplement A* located at the beginning of this section.



TYPE "B" SINGLE STAGE CENTRIFUGAL PUMP Electric Motor Drive

| | |
|-------------------|-----------------|
| Section | CC |
| Page | 170.8 |
| Date | January 1, 2004 |
| Supersedes 6/1/95 | |

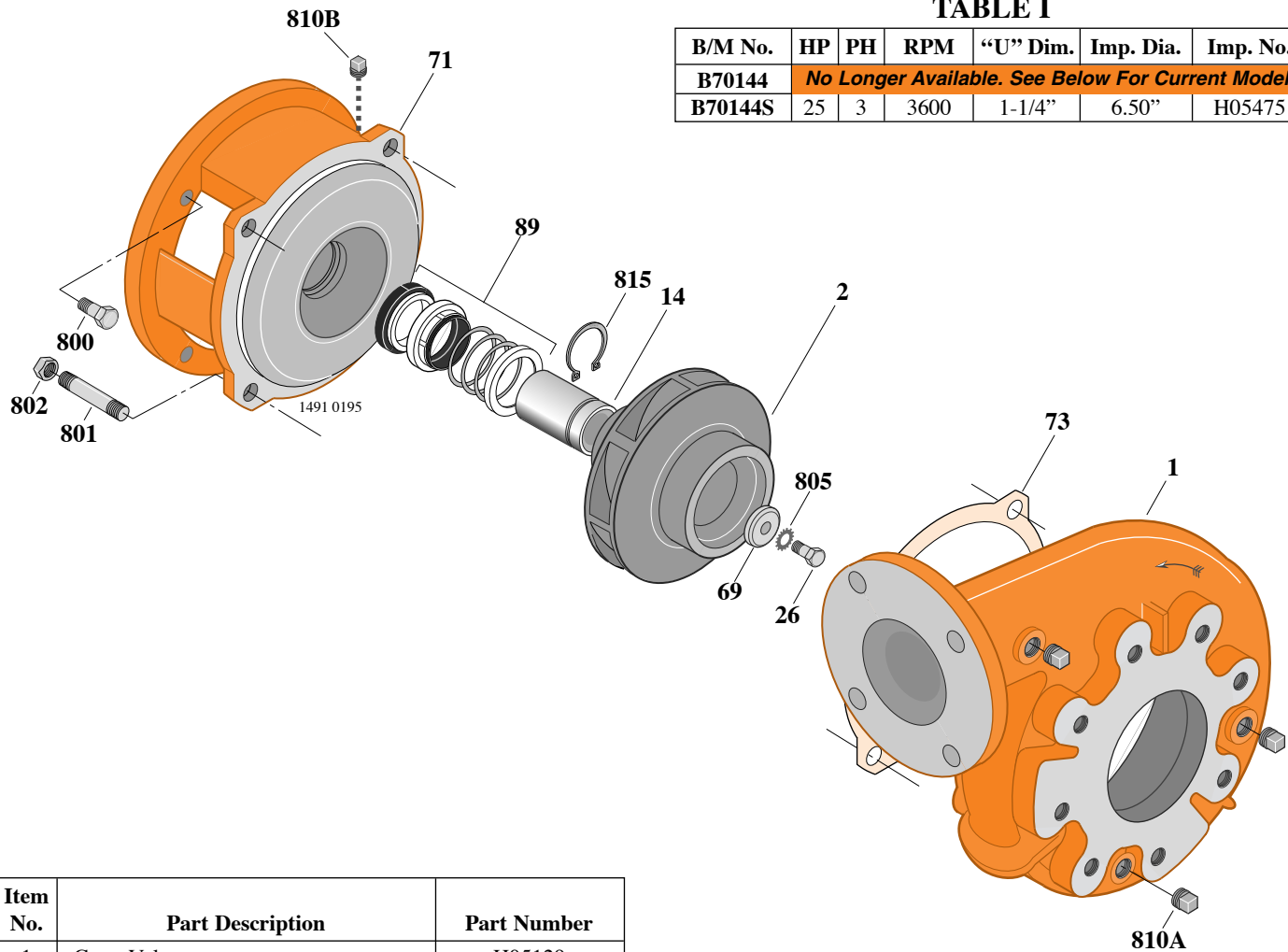
BRONZE IMPELLER B3TPHS

Flanged Case

Mechanical Shaft Seal Construction

TABLE I

| B/M No. | HP | PH | RPM | "U" Dim. | Imp. Dia. | Imp. No. |
|---------|--|----|------|----------|-----------|----------|
| B70144 | No Longer Available. See Below For Current Model. | | | | | |
| B70144S | 25 | 3 | 3600 | 1-1/4" | 6.50" | H05475 |



| Item No. | Part Description | Part Number |
|----------|----------------------------------|--------------|
| 1 | Case, Volute | H05129 |
| 2 | Impeller | See Table I |
| 14 | Sleeve, Shaft | S18869 |
| 26 | Screw, Impeller 3/8 - 16 x 1" | S23566 |
| 32 | Key, 1/4 x 2-1/4" (See Note) | S23677 |
| 69 | Washer, Impeller | S06319 |
| 71 | Bracket | See Table II |
| 73 | Gasket, Volute | S04757 |
| 89 | Seal, Mechanical Shaft | S32015 |
| 800A | Capscrew, 1/2 - 13 x 1" | S23619 |
| 800B | Capscrew, 1/2 - 13 x 1" (4 Req.) | S26912 |
| 801 | Stud, 1/2 - 13 x 1-1/2" (4 Req.) | S24043 |
| 802 | Nut, 1/2 - 13 (4 Req.) | S23107 |
| 805 | Washer, Lock | S23038 |
| 810 | Plug, Pipe 1/4 NPT (5 Req.) | S23715 |
| 815 | Ring, Retaining | S16767 |

TABLE II

| HP | PH | Bracket No. | "AK" Fit | "U" Dim. | Motor Frame |
|----|----|-------------|----------|----------|-------------|
| 25 | 3 | L05779 | 8-1/2" | 1-1/4" | 256JM |

NOTE: For an explanation of the tabulated material found on this page and for impeller key location, refer to *Supplement A* located at the beginning of this section.



TYPE "B" SINGLE STAGE CENTRIFUGAL PUMP Electric Motor Drive

| | |
|----------------|-----------------|
| Section | CC |
| Page | 170.9 |
| Date | January 1, 2004 |
| Supersedes/New | |

SILICON BRONZE IMPELLER

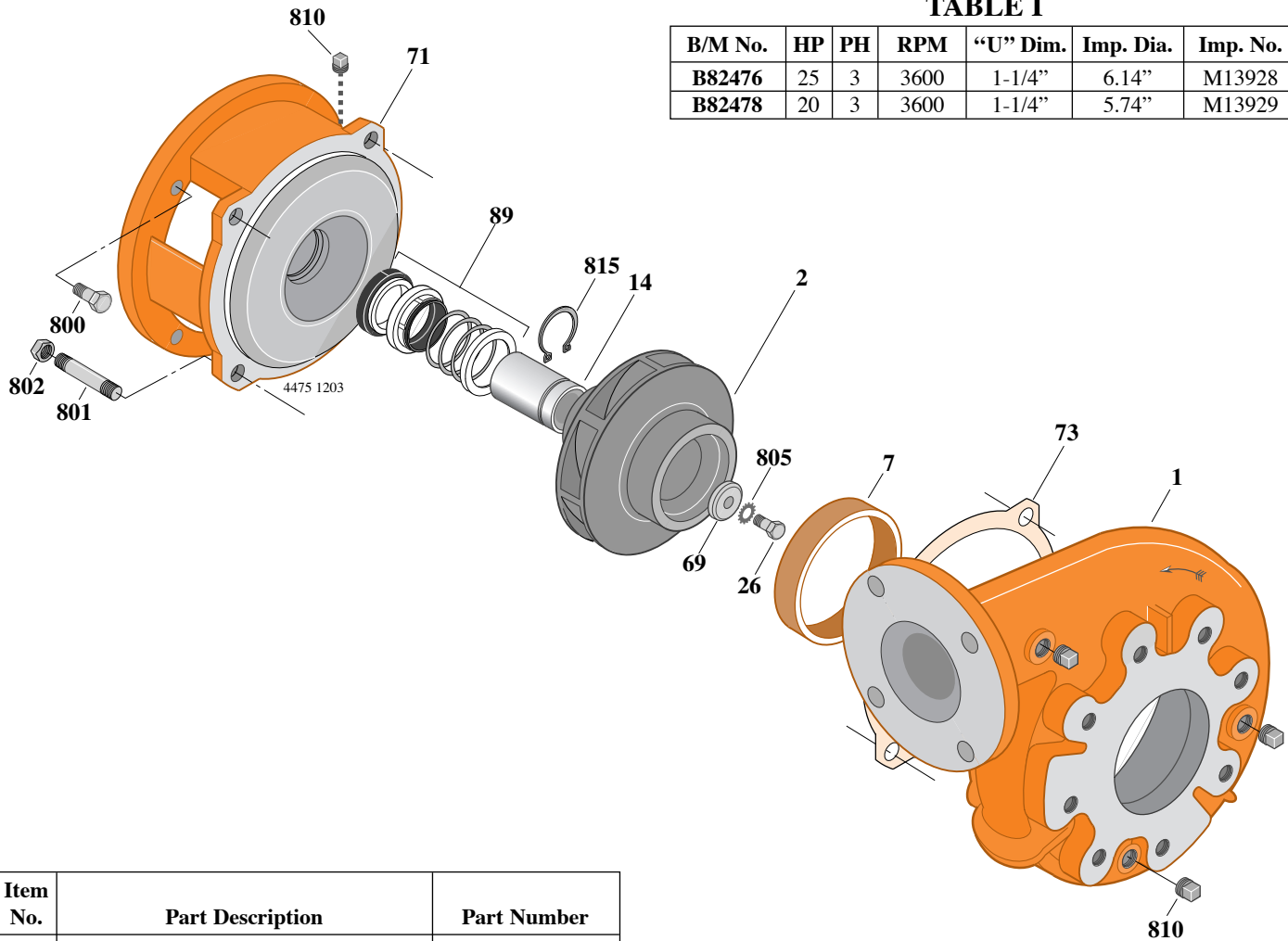
B3TPHHS

Flanged Case

Mechanical Shaft Seal Construction

TABLE I

| B/M No. | HP | PH | RPM | "U" Dim. | Imp. Dia. | Imp. No. |
|---------|----|----|------|----------|-----------|----------|
| B82476 | 25 | 3 | 3600 | 1-1/4" | 6.14" | M13928 |
| B82478 | 20 | 3 | 3600 | 1-1/4" | 5.74" | M13929 |



| Item No. | Part Description | Part Number |
|----------|----------------------------------|--------------|
| 1 | Case, Volute | M13925 |
| 2 | Impeller | See Table I |
| 7 | Ring, Wearing | M13926 |
| 14 | Sleeve, Shaft | S18869 |
| 26 | Screw, Impeller 1/2 - 13 x 1" | S23619 |
| 32 | Key, 1/4 x 2-1/4" (See Note) | S23677 |
| 69 | Washer, Impeller | M13927 |
| 71 | Bracket | See Table II |
| 73 | Gasket, Volute | S04757 |
| 89 | Seal, Mechanical Shaft | S32015 |
| 800 | Capscrew, 1/2 - 13 x 1" (4 Req.) | S26912 |
| 801 | Stud, 1/2 - 13 x 1-1/2" (4 Req.) | S24043 |
| 802 | Nut, 1/2 - 13 (4 Req.) | S26460 |
| 805 | Washer, Lock | S23038 |
| 810 | Plug, Pipe 1/4 NPT (5 Req.) | S23715 |
| 815 | Ring, Retaining | S16767 |

TABLE II

| HP | PH | Bracket No. | "AK" Fit | "U" Dim. | Motor Frame |
|----|----|-------------|----------|----------|-------------|
| 25 | 3 | L05779 | 8-1/2" | 1-1/4" | 256JM |
| 20 | 3 | L05779 | 8-1/2" | 1-1/4" | 254JM |

NOTE: For an explanation of the tabulated material found on this page and for impeller key location, refer to *Supplement A* located at the beginning of this section.



TYPE "B" SINGLE STAGE CENTRIFUGAL PUMP Electric Motor Drive

| | |
|----------------|-------------------|
| Section | CC |
| Page | 170.10 |
| Date | September 1, 1997 |
| Supersedes/New | |

SILICON BRONZE IMPELLER

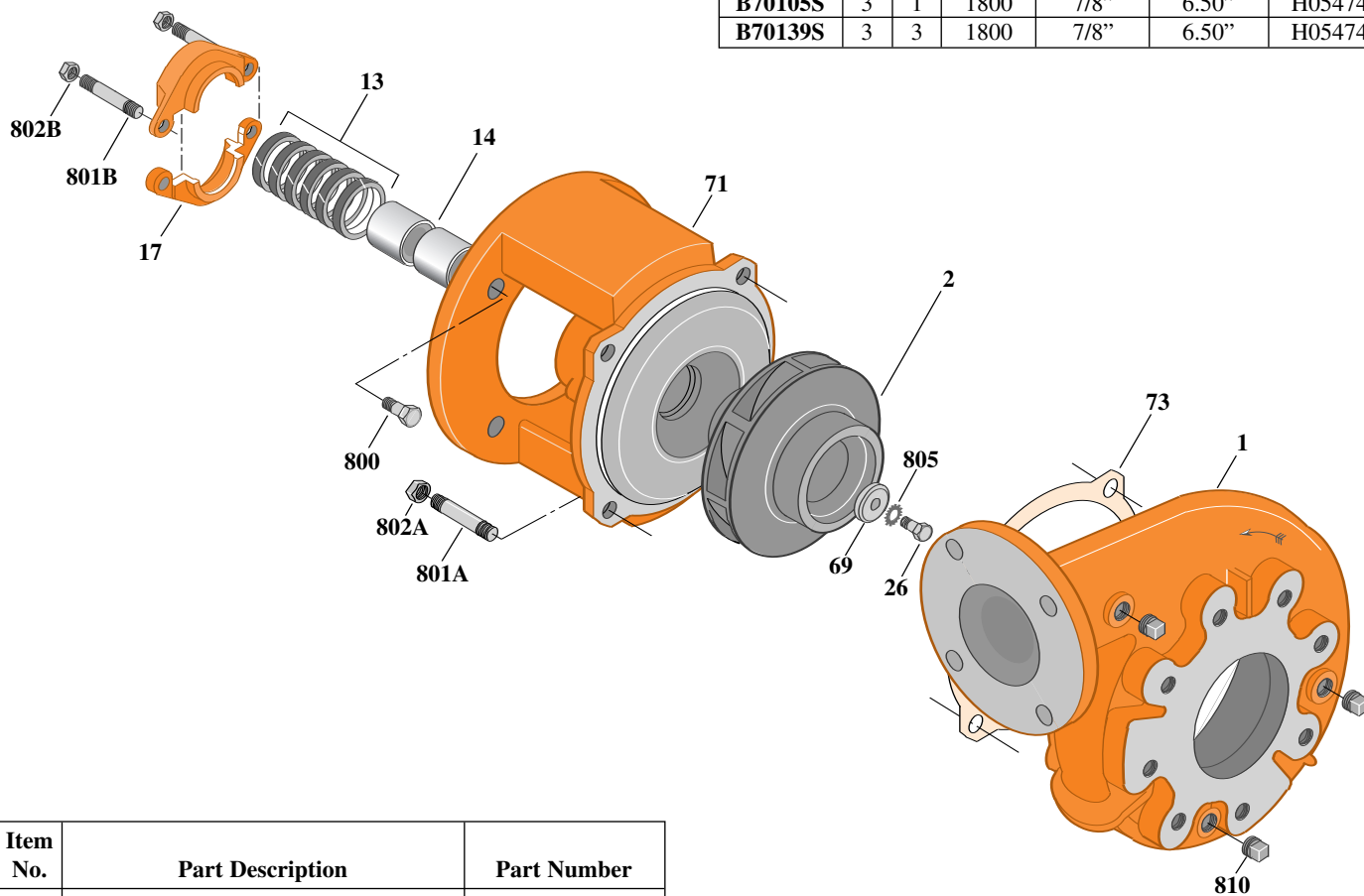
B3TPH

Flanged Case

Packing Construction

TABLE I

| B/M No. | HP | PH | RPM | "U" Dim. | Imp. Dia. | Imp. No. |
|---------|----|----|------|----------|-----------|----------|
| B70105S | 3 | 1 | 1800 | 7/8" | 6.50" | H05474 |
| B70139S | 3 | 3 | 1800 | 7/8" | 6.50" | H05474 |



1792 0595

| Item No. | Part Description | Part Number |
|----------|------------------------------------|--------------|
| 1 | Case, Volute | H05129 |
| 2 | Impeller | See Table I |
| 13 | Rings, Packing (Set of 6) | S13469 |
| 14 | Sleeve, Shaft (2 Req.) | S00619 |
| 17 | Gland, Packing | S00393 |
| 26 | Screw, Impeller 3/8 - 16 x 1" | S23566 |
| 32 | Key, 3/16 x 1-1/4" (See Note) | S34383 |
| 69 | Washer, Impeller | S06314 |
| 71 | Bracket | See Table II |
| 73 | Gasket, Volute | S04757 |
| 800 | Capscrew, 3/8 - 16 x 7/8" (4 Req.) | S26825 |
| 801A | Stud, 1/2 - 13 x 1-1/2" (4 Req.) | S24043 |
| 801B | Stud, 3/8 - 16 x 4" (2 Req.) | S08303 |
| 802A | Nut, Hex 1/2 - 13 (4 Req.) | S23107 |
| 802B | Nut, Hex 3/8 - 16 (2 Req.) | S23343 |
| 805 | Washer, Lock | S23036 |
| 810 | Plug, Pipe 1/4" NPT (3 Req.) | S23715 |

TABLE II

| HP | PH | Bracket No. | "AK" Fit | "U" Dim. | Motor Frame |
|----|----|-------------|----------|----------|-------------|
| 3 | 1 | L01525 | 4-1/2" | 7/8" | 184JP |
| 3 | 3 | L01525 | 4-1/2" | 7/8" | 182JP |

NOTE: For an explanation of the tabulated material found on this page and for impeller key location, refer to *Supplement A* located at the beginning of this section.



TYPE "B" SINGLE STAGE CENTRIFUGAL PUMP Electric Motor Drive

| | |
|----------------|-------------------|
| Section | CC |
| Page | 170.11 |
| Date | September 1, 1997 |
| Supersedes/New | |

SILICON BRONZE IMPELLER

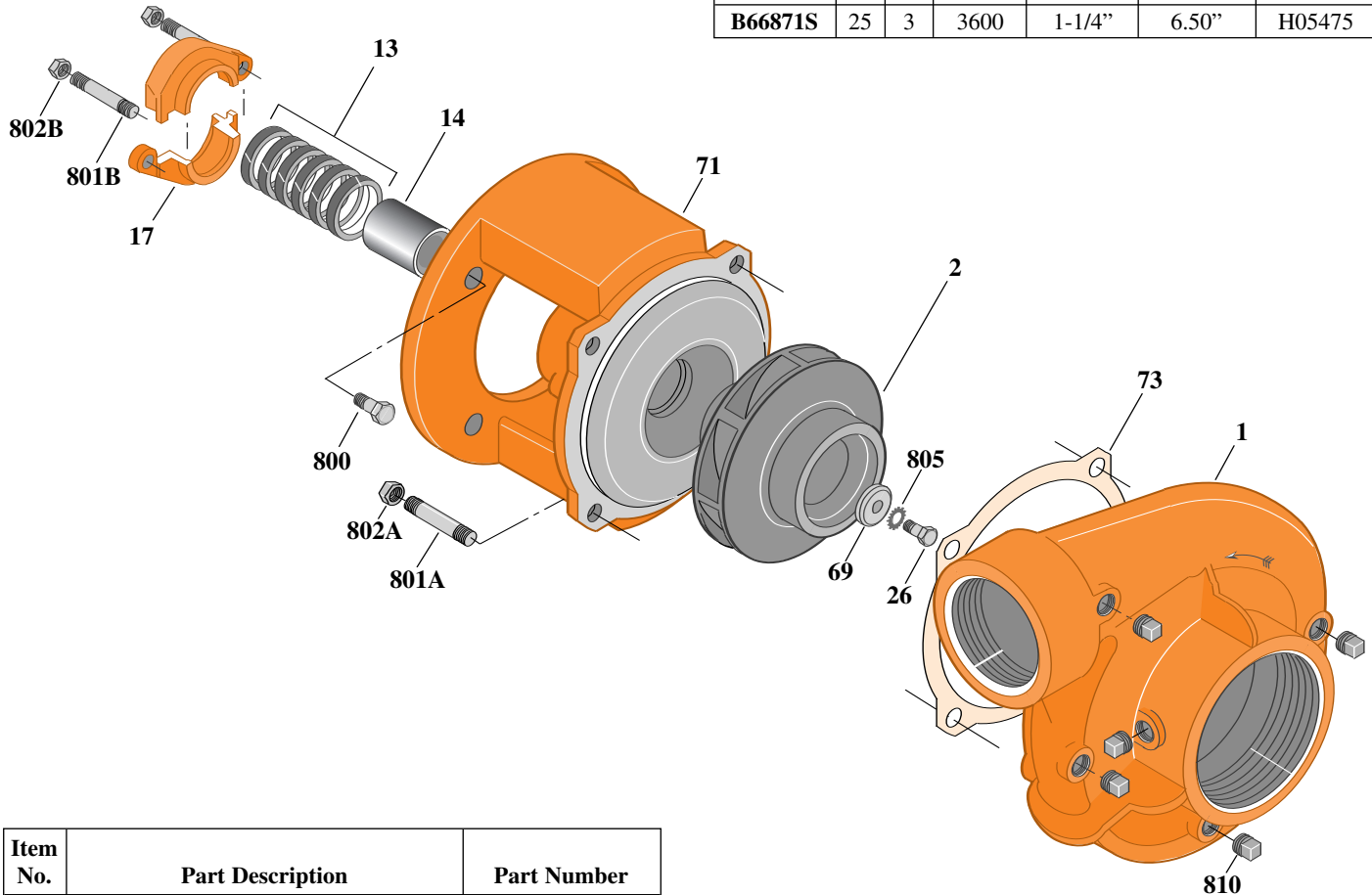
B3TPH

Threaded Case (NPT)

Packing Construction

TABLE I

| B/M No. | HP | PH | RPM | "U" Dim. | Imp. Dia. | Imp. No. |
|----------------|----|----|------|----------|-----------|----------|
| B66871S | 25 | 3 | 3600 | 1-1/4" | 6.50" | H05475 |



1793 0595

| Item No. | Part Description | Part Number |
|----------|----------------------------------|--------------|
| 1 | Case, Volute | L01104 |
| 2 | Impeller | See Table I |
| 13 | Rings, Packing (Set of 6) | S13470 |
| 14 | Sleeve, Shaft | S05149 |
| 17 | Gland, Packing | S12034 |
| 26 | Screw, Impeller 1/2 - 13 x 1" | S23619 |
| 32 | Key, 1/4 x 2-1/4" (See Note) | S23677 |
| 69 | Washer, Impeller | S06319 |
| 71 | Bracket | See Table II |
| 73 | Gasket, Volute | S04757 |
| 800 | Capscrew, 1/2 - 13 x 1" (4 Req.) | S26912 |
| 801A | Stud, 1/2 - 13 x 1-1/2" (4 Req.) | S24043 |
| 801B | Stud, 3/8 - 16 x 3-1/2" (2 Req.) | S04441 |
| 802A | Nut, Hex 1/2 - 13 (4 Req.) | S23107 |
| 802B | Nut, Hex 3/8 - 16 (2 Req.) | S23343 |
| 805 | Washer, Lock | S23038 |
| 810 | Plug, Pipe 1/4" NPT (5 Req.) | S23715 |

TABLE II

| HP | PH | Bracket No. | "AK" Fit | "U" Dim. | Motor Frame |
|----|----|-------------|----------|----------|-------------|
| 25 | 3 | L01951 | 8-1/2" | 1-1/4" | 256JP |

NOTE: For an explanation of the tabulated material found on this page and for impeller key location, refer to *Supplement A* located at the beginning of this section.



TYPE "B" SINGLE STAGE CENTRIFUGAL PUMP Electric Motor Drive

| | |
|----------------|-------------------|
| Section | CC |
| Page | 170.12 |
| Date | September 1, 1997 |
| Supersedes/New | |

SILICON BRONZE IMPELLER

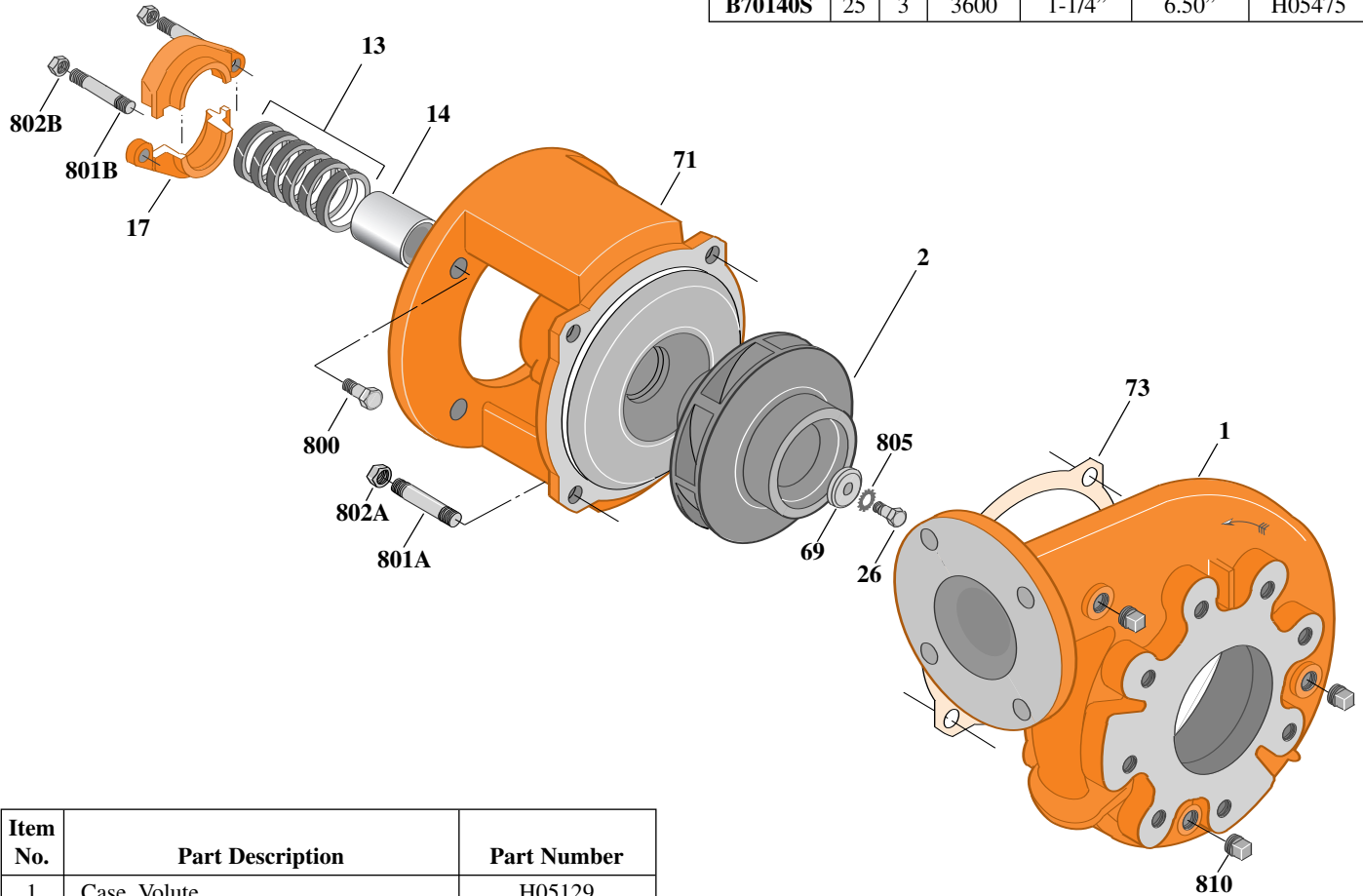
B3TPH

Flanged Case

Packing Construction

TABLE I

| B/M No. | HP | PH | RPM | "U" Dim. | Imp. Dia. | Imp. No. |
|---------|----|----|------|----------|-----------|----------|
| B70140S | 25 | 3 | 3600 | 1-1/4" | 6.50" | H05475 |



| Item No. | Part Description | Part Number |
|----------|----------------------------------|--------------|
| 1 | Case, Volute | H05129 |
| 2 | Impeller | See Table I |
| 13 | Rings, Packing (Set of 6) | S13470 |
| 14 | Sleeve, Shaft | S05149 |
| 17 | Gland, Packing | S12034 |
| 26 | Screw, Impeller 1/2 - 13 x 1" | S23619 |
| 32 | Key, 1/4 x 2-1/4" (See Note) | S23677 |
| 69 | Washer, Impeller | S06319 |
| 71 | Bracket | See Table II |
| 73 | Gasket, Volute | S04757 |
| 800 | Capscrew, 1/2 - 13 x 1" (4 Req.) | S26912 |
| 801A | Stud, 1/2 - 13 x 1-1/2" (4 Req.) | S24043 |
| 801B | Stud, 3/8 - 16 x 3-1/2" (2 Req.) | S04441 |
| 802A | Nut, Hex 1/2 - 13 (4 Req.) | S23017 |
| 802B | Nut, Hex 3/8 - 16 (2 Req.) | S23343 |
| 805 | Washer, Lock | S23038 |
| 810 | Plug, Pipe 1/4" NPT (3 Req.) | S23715 |

TABLE II

| HP | PH | Bracket No. | "AK" Fit | "U" Dim. | Motor Frame |
|----|----|-------------|----------|----------|-------------|
| 25 | 3 | L01951 | 8-1/2" | 1-1/4" | 256JP |

NOTE: For an explanation of the tabulated material found on this page and for impeller key location, refer to *Supplement A* located at the beginning of this section.



TYPE "B" SINGLE STAGE CENTRIFUGAL PUMP Electric Motor Drive

| | |
|----------------|-------------------|
| Section | CC |
| Page | 170.13 |
| Date | September 1, 1997 |
| Supersedes/New | |

SILICON BRONZE IMPELLER

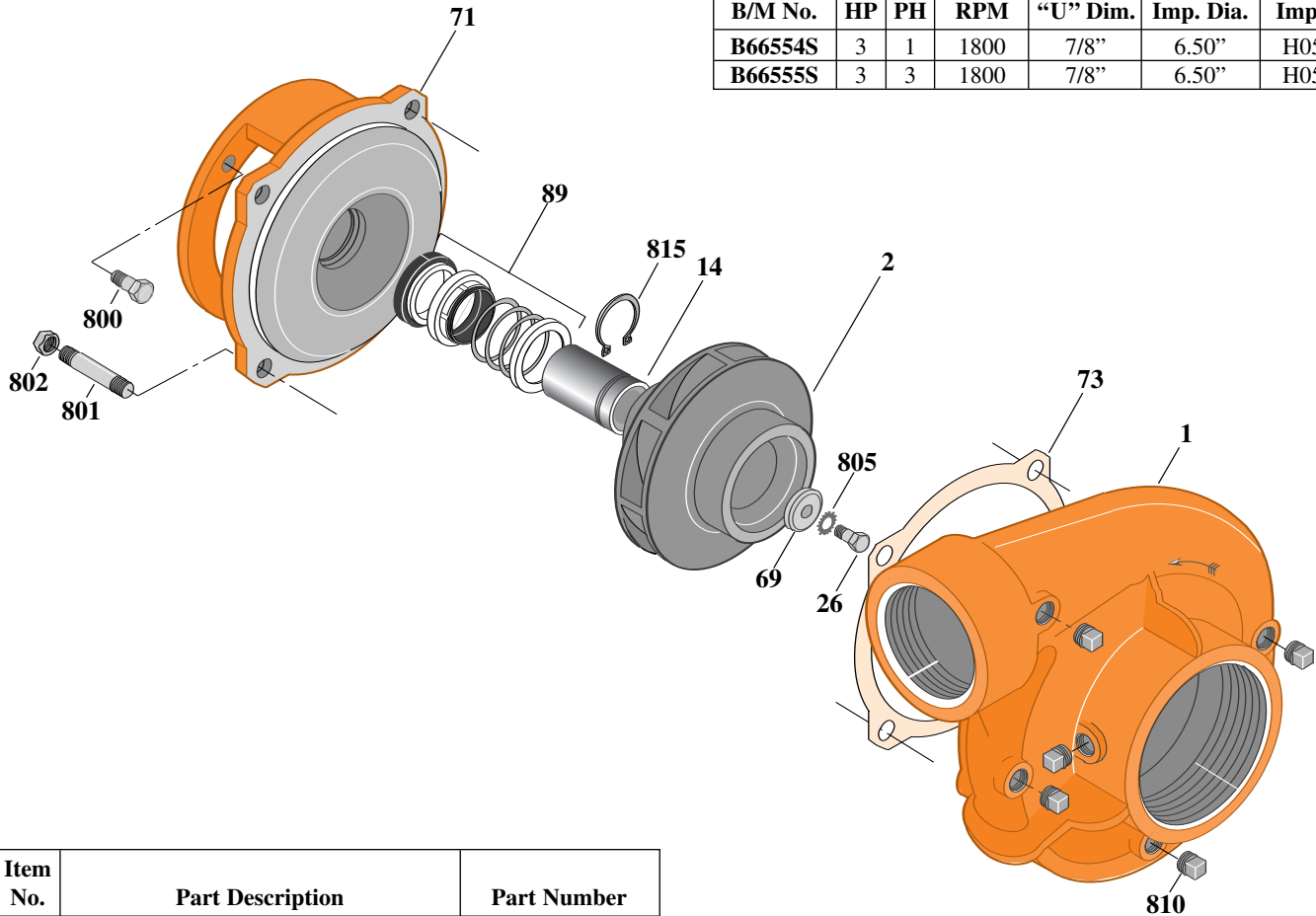
B3TPHS

Threaded Case (NPT)

Mechanical Shaft Seal Construction

TABLE I

| B/M No. | HP | PH | RPM | "U" Dim. | Imp. Dia. | Imp. No. |
|---------|----|----|------|----------|-----------|----------|
| B66554S | 3 | 1 | 1800 | 7/8" | 6.50" | H05474 |
| B66555S | 3 | 3 | 1800 | 7/8" | 6.50" | H05474 |



1481 0195

| Item No. | Part Description | Part Number |
|----------|----------------------------------|--------------|
| 1 | Case, Volute | L01104 |
| 2 | Impeller | See Table I |
| 14 | Sleeve, Shaft | S19310 |
| 26 | Screw, Impeller 3/8 - 16 x 1" | S23566 |
| 32 | Key, 3/16 x 1-1/4" (See Note) | S34383 |
| 69 | Washer, Impeller | S06314 |
| 71 | Bracket | See Table II |
| 73 | Gasket, Volute | S04757 |
| 89 | Seal, Mechanical Shaft | S32014 |
| 800 | Capscrew, 3/8 - 16 x 1" (4 Req.) | S26826 |
| 801 | Stud, 1/2 - 13 x 1-1/2" (4 Req.) | S24043 |
| 802 | Nut, 1/2 - 13 (4 Req.) | S23107 |
| 805 | Washer, Lock | S23036 |
| 810 | Plug, Pipe 1/4" NPT (5 Req.) | S23715 |
| 815 | Ring, Retaining | S11207 |
| • | Plug, Pipe 1/8" NPT (In Bracket) | S23714 |

• Not illustrated.

TABLE II

| HP | PH | Bracket No. | "AK" Fit | "U" Dim. | Motor Frame |
|----|----|-------------|----------|----------|-------------|
| 3 | 1 | L05329 | 4-1/2" | 7/8" | 184JM |
| 3 | 3 | L05329 | 4-1/2" | 7/8" | 182JM |

NOTE: For an explanation of the tabulated material found on this page and for impeller key location, refer to *Supplement A* located at the beginning of this section.

NOTE: For seal flush line details, see *Supplement D*.



TYPE "B" SINGLE STAGE CENTRIFUGAL PUMP Electric Motor Drive

| | |
|----------------|-------------------|
| Section | CC |
| Page | 170.14 |
| Date | September 1, 1997 |
| Supersedes/New | |

SILICON BRONZE IMPELLER

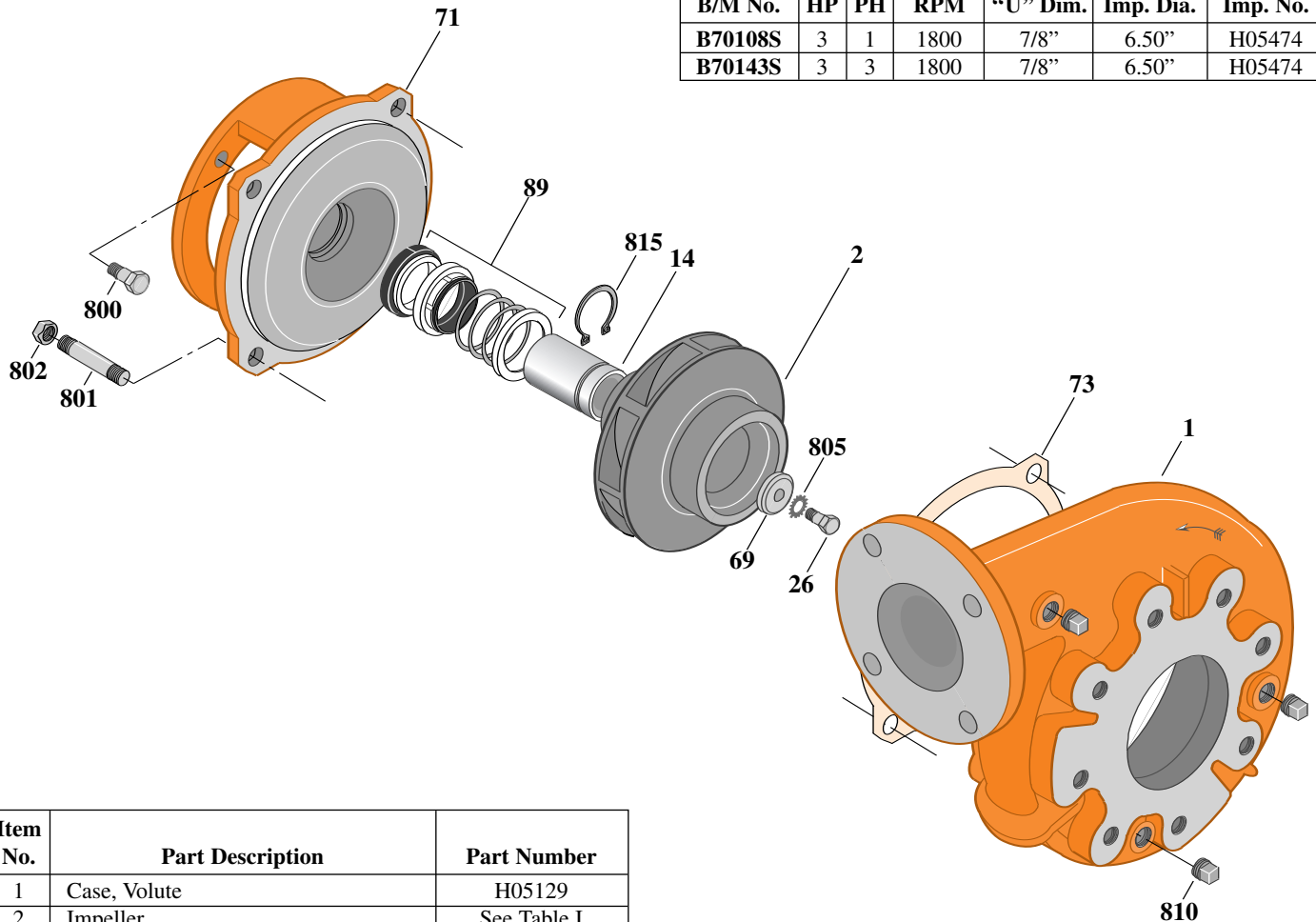
B3TPHS

Flanged Case

Mechanical Shaft Seal Construction

TABLE I

| B/M No. | HP | PH | RPM | "U" Dim. | Imp. Dia. | Imp. No. |
|---------|----|----|------|----------|-----------|----------|
| B70108S | 3 | 1 | 1800 | 7/8" | 6.50" | H05474 |
| B70143S | 3 | 3 | 1800 | 7/8" | 6.50" | H05474 |



1482 0195

| Item No. | Part Description | Part Number |
|----------|----------------------------------|--------------|
| 1 | Case, Volute | H05129 |
| 2 | Impeller | See Table I |
| 14 | Sleeve, Shaft | S19310 |
| 26 | Screw, Impeller 3/8 - 16 x 1" | S23566 |
| 32 | Key, 3/16 x 1-1/4" (See Note) | S34383 |
| 69 | Washer, Impeller | S06314 |
| 71 | Bracket | See Table II |
| 73 | Gasket, Volute | S04757 |
| 89 | Seal, Mechanical Shaft | S32014 |
| 800 | Capscrew, 3/8 - 16 x 1" (4 Req.) | S26826 |
| 801 | Stud, 1/2 - 13 x 1-1/2" (4 Req.) | S24043 |
| 802 | Nut, 1/2 - 13 (4 Req.) | S23107 |
| 805 | Washer, Lock | S23036 |
| 810 | Plug, Pipe 1/4" NPT (3 Req.) | S23715 |
| 815 | Ring, Retaining | S11207 |
| • | Plug, Pipe 1/8" NPT (In Bracket) | S23714 |

• Not illustrated.

TABLE II

| HP | PH | Bracket No. | "AK" Fit | "U" Dim. | Motor Frame |
|----|----|-------------|----------|----------|-------------|
| 3 | 1 | L05329 | 4-1/2" | 7/8" | 184JM |
| 3 | 3 | L05329 | 4-1/2" | 7/8" | 182JM |

NOTE: For an explanation of the tabulated material found on this page and for impeller key location, refer to *Supplement A* located at the beginning of this section.

NOTE: For seal flush line details, see *Supplement D*.



TYPE "B" SINGLE STAGE CENTRIFUGAL PUMP Electric Motor Drive

| | |
|----------------|-------------------|
| Section | CC |
| Page | 170.15 |
| Date | September 1, 1997 |
| Supersedes/New | |

SILICON BRONZE IMPELLER

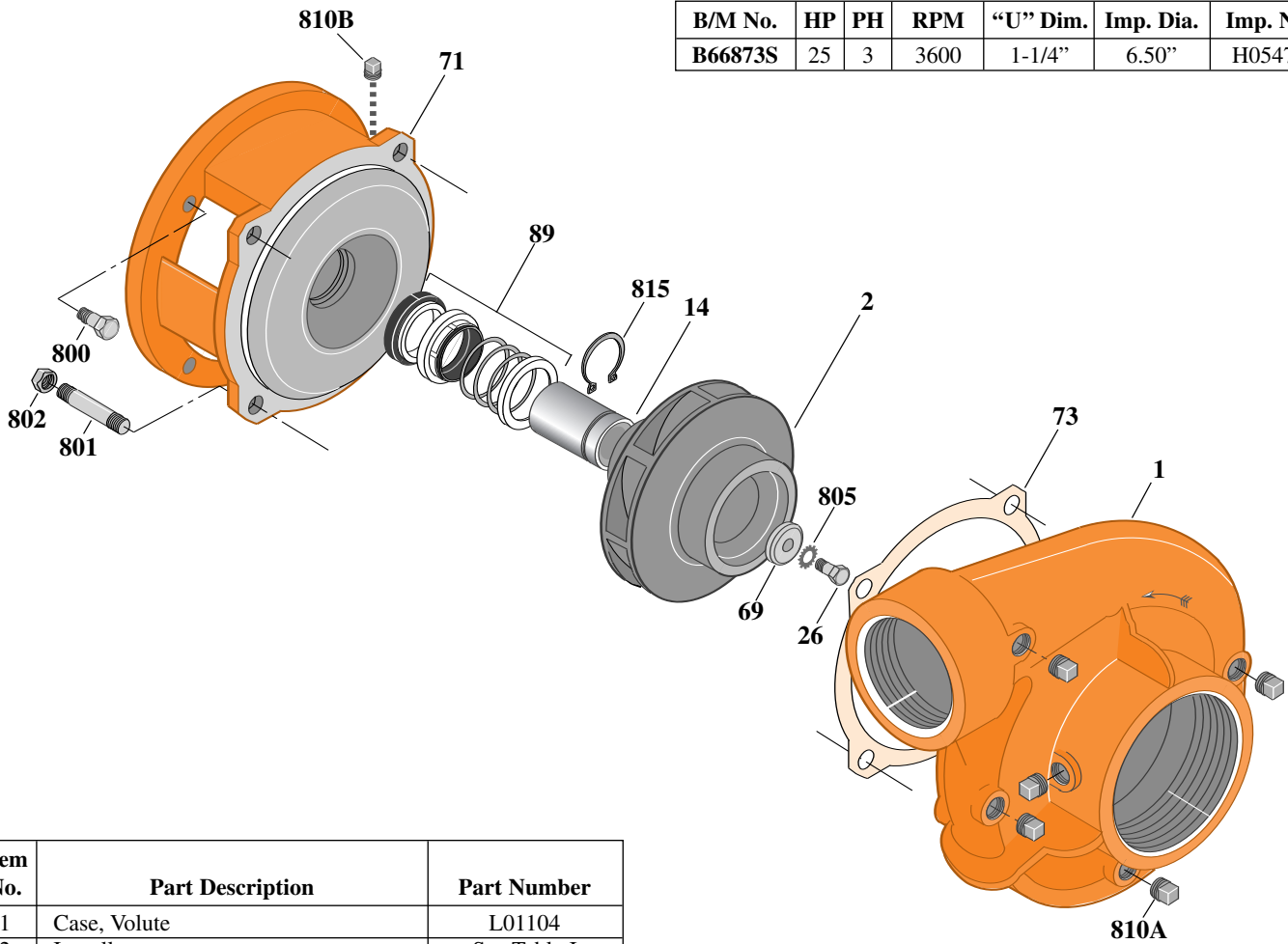
B3TPHS

Threaded Case (NPT)

Mechanical Shaft Seal Construction

TABLE I

| B/M No. | HP | PH | RPM | "U" Dim. | Imp. Dia. | Imp. No. |
|---------|----|----|------|----------|-----------|----------|
| B66873S | 25 | 3 | 3600 | 1-1/4" | 6.50" | H05475 |



| Item No. | Part Description | Part Number |
|----------|----------------------------------|--------------|
| 1 | Case, Volute | L01104 |
| 2 | Impeller | See Table I |
| 14 | Sleeve, Shaft | S18869 |
| 26 | Screw, Impeller 1/2 - 13 x 1" | S23619 |
| 32 | Key, 1/4 x 2-1/4" (See Note) | S23677 |
| 69 | Washer, Impeller | S06319 |
| 71 | Bracket | See Table II |
| 73 | Gasket, Volute | S04757 |
| 89 | Seal, Mechanical Shaft | S32015 |
| 800 | Capscrew, 1/2 - 13 x 1" (4 Req.) | S26912 |
| 801 | Stud, 1/2 - 13 x 1-1/2" (4 Req.) | S24043 |
| 802 | Nut, 1/2 - 13 (4 Req.) | S23107 |
| 805 | Washer, Lock | S23038 |
| 810A | Plug, Pipe 1/4" NPT (5 Req.) | S23715 |
| 810B | Plug, Pipe 1/8" NPT (In Bracket) | S23714 |
| 815 | Ring, Retaining | S16767 |

TABLE II

| HP | PH | Bracket No. | "AK" Fit | "U" Dim. | Motor Frame |
|----|----|-------------|----------|----------|-------------|
| 25 | 3 | L05779 | 8-1/2" | 1-1/4" | 256JM |

NOTE: For an explanation of the tabulated material found on this page and for impeller key location, refer to *Supplement A* located at the beginning of this section.

NOTE: For seal flush line details, see *Supplement D*.

• Not illustrated.



TYPE "B" SINGLE STAGE CENTRIFUGAL PUMP Electric Motor Drive

| | |
|----------------|-------------------|
| Section | CC |
| Page | 170.16 |
| Date | September 1, 1997 |
| Supersedes/New | |

SILICON BRONZE IMPELLER

B3TPHS

Flanged Case

Mechanical Shaft Seal Construction

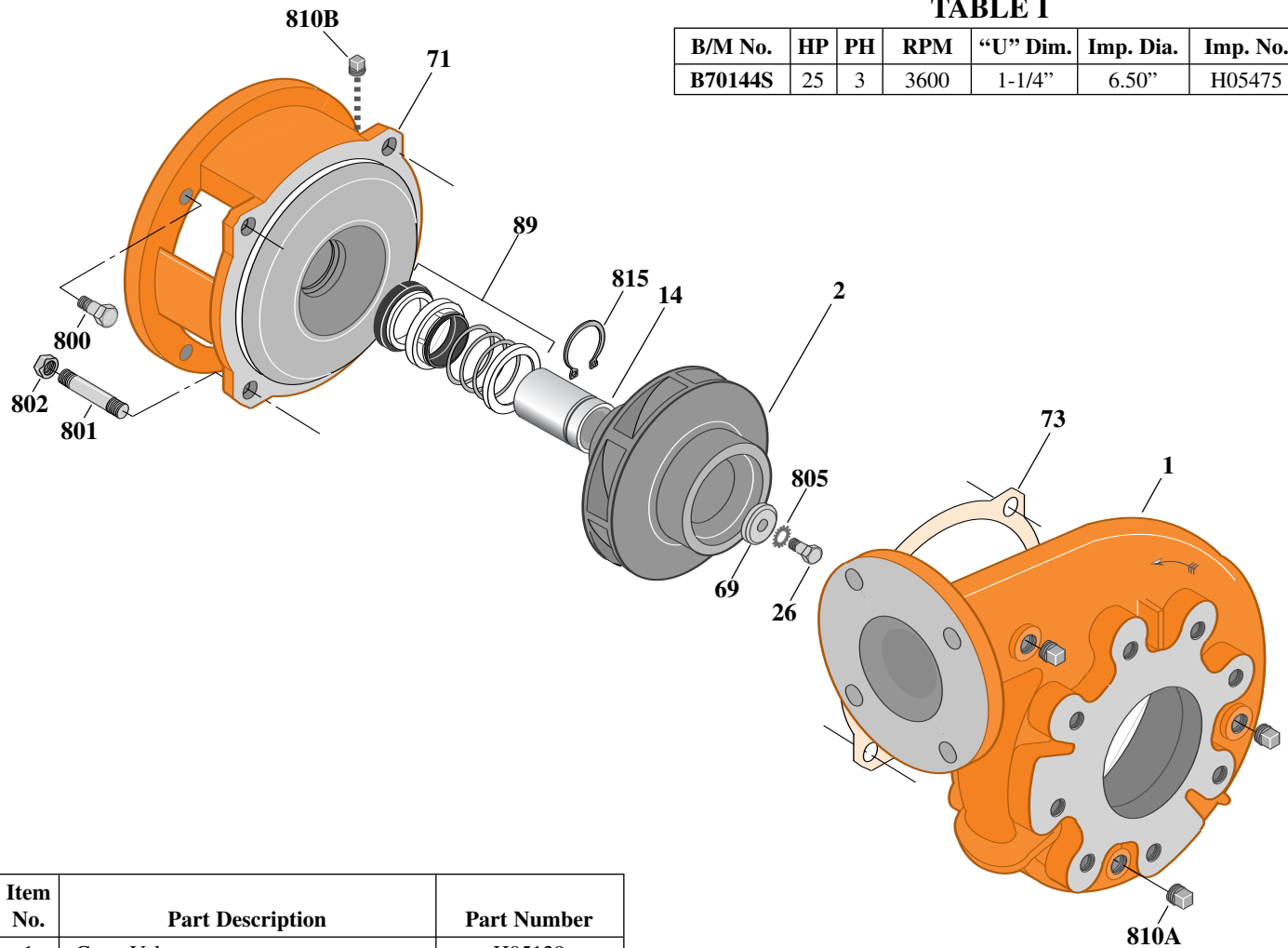


TABLE I

| B/M No. | HP | PH | RPM | "U" Dim. | Imp. Dia. | Imp. No. |
|---------|----|----|------|----------|-----------|----------|
| B70144S | 25 | 3 | 3600 | 1-1/4" | 6.50" | H05475 |

| Item No. | Part Description | Part Number |
|----------|----------------------------------|--------------|
| 1 | Case, Volute | H05129 |
| 2 | Impeller | See Table I |
| 14 | Sleeve, Shaft | S18869 |
| 26 | Screw, Impeller 1/2 - 13 x 1" | S23619 |
| 32 | Key, 1/4 x 2-1/4" (See Note) | S23677 |
| 69 | Washer, Impeller | S06319 |
| 71 | Bracket | See Table II |
| 73 | Gasket, Volute | S04757 |
| 89 | Seal, Mechanical Shaft | S32015 |
| 800 | Capscrew, 1/2 - 13 x 1" (4 Req.) | S26912 |
| 801 | Stud, 1/2 - 13 x 1-1/2" (4 Req.) | S24043 |
| 802 | Nut, 1/2 - 13 (4 Req.) | S23107 |
| 805 | Washer, Lock | S23038 |
| 810A | Plug, Pipe 1/4" NPT (3 Req.) | S23715 |
| 810B | Plug, Pipe 1/8" NPT (In Bracket) | S23714 |
| 815 | Ring, Retaining | S16767 |

TABLE II

| HP | PH | Bracket No. | "AK" Fit | "U" Dim. | Motor Frame |
|----|----|-------------|----------|----------|-------------|
| 25 | 3 | L05779 | 8-1/2" | 1-1/4" | 256JM |

NOTE: For an explanation of the tabulated material found on this page and for impeller key location, refer to *Supplement A* located at the beginning of this section.

NOTE: For seal flush line details, see *Supplement D*.



Type "B" Single Stage Centrifugal Pump Electric Motor Drive

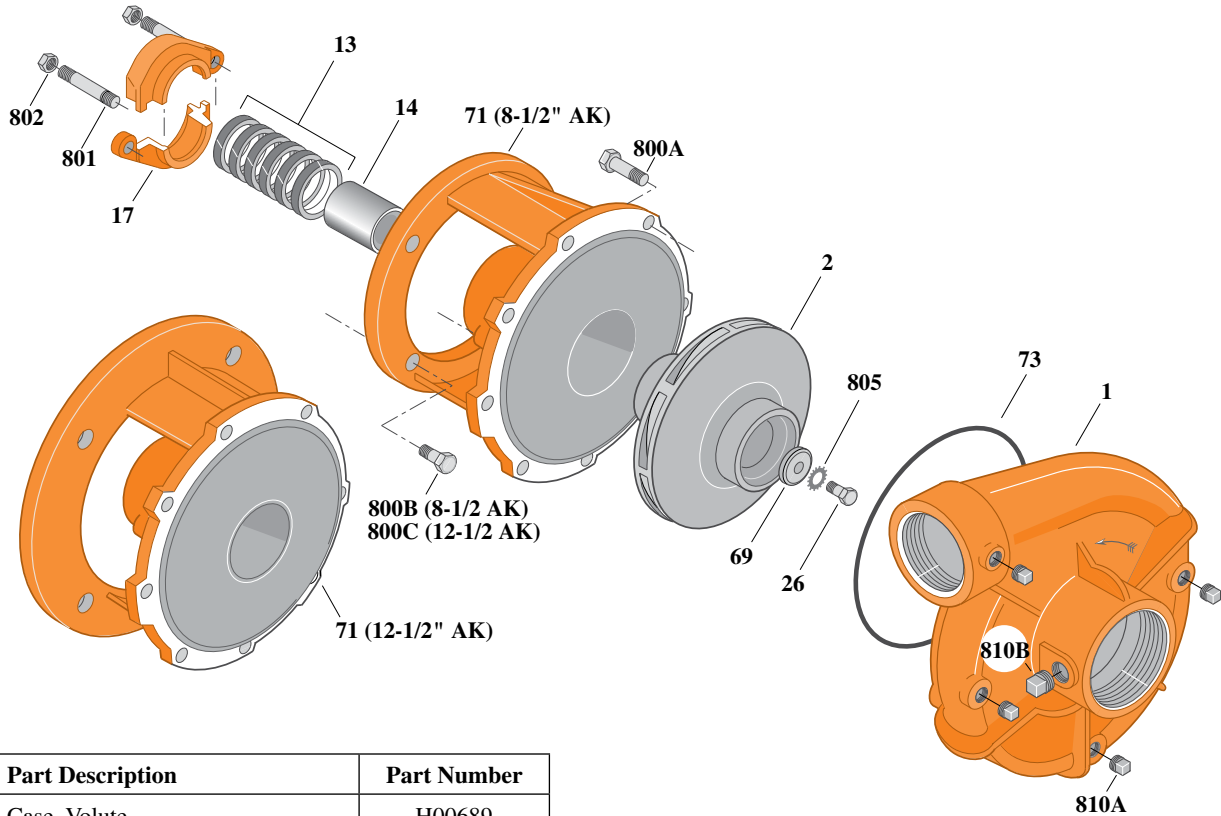
| | |
|-------------------|--------------|
| Section | CC |
| Page | 180.1 |
| Date | July 1, 2011 |
| Supersedes 1/1/04 | |

CAST IRON IMPELLER

B3ZPL

Threaded Case (NPT)

Packing Construction



| Item | Part Description | Part Number |
|------|--------------------------------------|--------------|
| 1 | Case, Volute | H00689 |
| 2 | Impeller | See Table I |
| 13 | Rings, Packing (Set of 6) | S13470 |
| 14 | Sleeve, Shaft | S05149L |
| 17 | Gland, Packing | B82470 |
| 26 | Screw, Impeller 1/2 - 13 x 1-1/2" | S23623 |
| 32 | Key, 1/4 x 2-1/4" (See Note 1) | S23677 |
| 69 | Washer, Impeller | S06319 |
| 71 | Bracket | See Table II |
| 73 | O-Ring (See Note 2) | M14943 |
| 800A | Capscrew, 3/8 - 16 x 1-1/8" (8 Req.) | S26827 |
| 800B | Capscrew, 1/2 - 13 x 1-1/2" (4 Req.) | S26916 |
| 800C | Capscrew, 5/8 - 11 x 1-1/2" (4 Req.) | S26999 |
| 801 | Stud, 3/8 - 16 x 4" (2 Req.) | S08303 |
| 802 | Nut, Hex 3/8 - 16 (2 Req.) | S23343 |
| 805 | Washer, Lock | S23038 |
| 810A | Plug, Pipe 1/4 NPT (4 Req.) | S23715 |
| 810B | Plug, Pipe 1/2 NPT | S23717 |

Table I

| B/M No. | HP | PH | RPM | "U" Dim. | Imp. Dia. | Imp. No. |
|---------|----|----|------|----------|-----------|----------|
| B51634 | 20 | 3 | 3600 | 1-1/4" | 6.75" | M07705 |
| B51635 | 25 | 3 | 3600 | 1-1/4" | 7.25" | M07706 |
| B53818 | 30 | 3 | 3600 | 1-1/4" | 7.75" | M07707 |
| B53819 | 40 | 3 | 3600 | 1-1/4" | 8.62" | M07708 |
| B51638 | 50 | 3 | 3600 | 1-1/4" | 9.00" | M03380 |

Table II

| HP | PH | Bracket No. | "AK" Fit | "U" Dim. | Motor Frame |
|----|----|-------------|----------|----------|-------------|
| 20 | 3 | L03827 | 8-1/2" | 1-1/4" | 254JP |
| 25 | 3 | L03827 | 8-1/2" | 1-1/4" | 256JP |
| 30 | 3 | L01563 | 12-1/2" | 1-1/4" | 284JP |
| 40 | 3 | L01563 | 12-1/2" | 1-1/4" | 286JP |
| 50 | 3 | L01563 | 12-1/2" | 1-1/4" | 324JP |

NOTE 1: For an explanation of the tabulated material found on this page and for impeller key location, refer to *Supplement A* located at the beginning of this section.

NOTE 2: Also accepts gasket S05126 as replacement for o-ring. See *Supplement E* located at the beginning of this section.



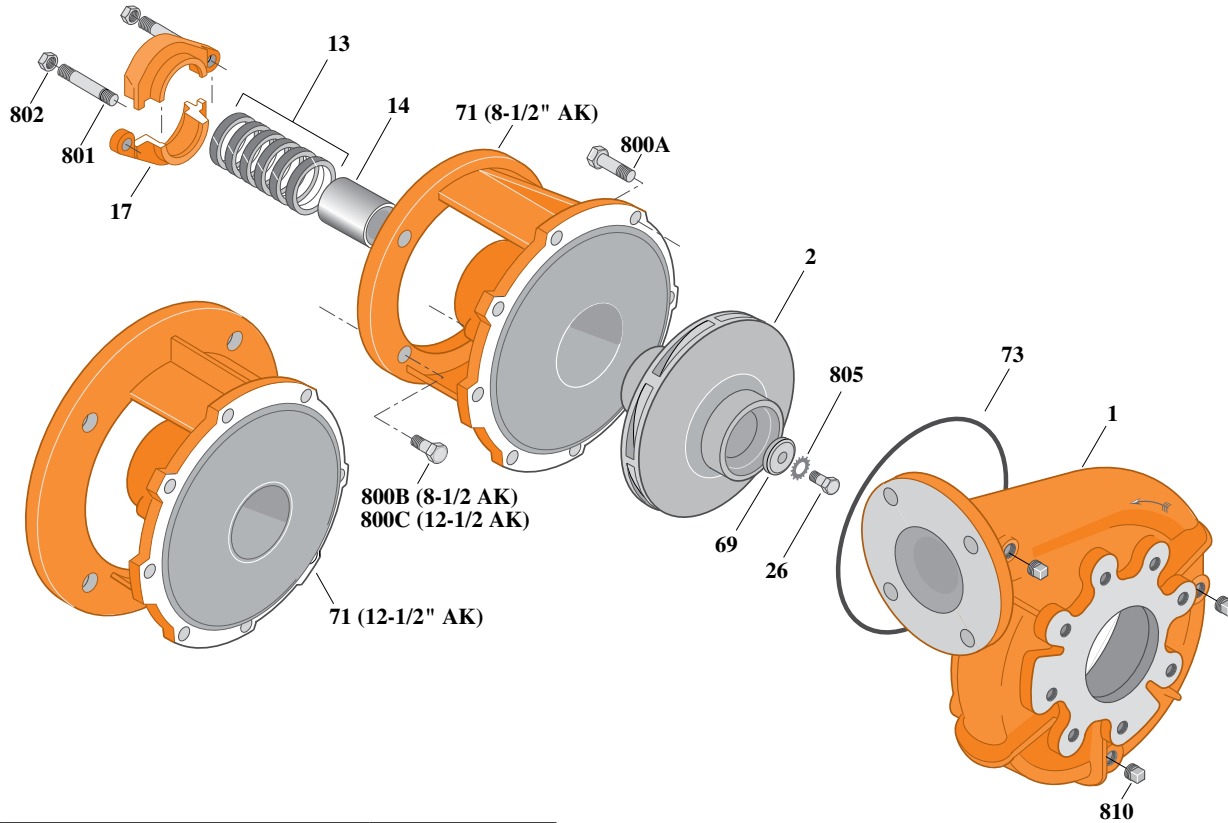
Type "B" Single Stage Centrifugal Pump Electric Motor Drive

| | |
|-------------------|--------------|
| Section | CC |
| Page | 180.2 |
| Date | July 1, 2011 |
| Supersedes 1/1/04 | |

CAST IRON IMPELLERB3ZPL

Flanged Case

Packing Construction



| Item | Part Description | Part Number |
|------|--------------------------------------|--------------|
| 1 | Case, Volute | H05130 |
| 2 | Impeller | See Table I |
| 13 | Rings, Packing (Set of 6) | S13470 |
| 14 | Sleeve, Shaft | S05149L |
| 17 | Gland, Packing | B82470 |
| 26 | Screw, Impeller 1/2 - 13 x 1-1/2" | S23623 |
| 32 | Key, 1/4 x 2-1/4" (See Note 1) | S23677 |
| 69 | Washer, Impeller | S06319 |
| 71 | Bracket | See Table II |
| 73 | O-Ring (See Note 2) | M14943 |
| 800A | Capscrew, 3/8 - 16 x 1" (8 Req.) | S26826 |
| 800B | Capscrew, 1/2 - 13 x 1-1/2" (4 Req.) | S26916 |
| 800C | Capscrew, 5/8 - 11 x 1-1/2" (4 Req.) | S26999 |
| 801 | Stud, 3/8 - 16 x 4" (2 Req.) | S08303 |
| 802 | Nut, Hex 3/8 - 16 (2 Req.) | S23343 |
| 805 | Washer, Lock | S23038 |
| 810 | Plug, Pipe 1/4 NPT (3 Req.) | S23715 |

Table I

| B/M No. | HP | PH | RPM | "U" Dim. | Imp. Dia. | Imp. No. |
|---------|----|----|------|----------|-----------|----------|
| B70206 | 20 | 3 | 3600 | 1-1/4" | 6.75" | M07705 |
| B70209 | 25 | 3 | 3600 | 1-1/4" | 7.25" | M07706 |
| B70212 | 30 | 3 | 3600 | 1-1/4" | 7.75" | M07707 |
| B70215 | 40 | 3 | 3600 | 1-1/4" | 8.62" | M07708 |
| B70218 | 50 | 3 | 3600 | 1-1/4" | 9.00" | M03380 |

Table II

| HP | PH | Bracket No. | "AK" Fit | "U" Dim. | Motor Frame |
|----|----|-------------|----------|----------|-------------|
| 20 | 3 | L03827 | 8-1/2" | 1-1/4" | 254JP |
| 25 | 3 | L03827 | 8-1/2" | 1-1/4" | 256JP |
| 30 | 3 | L01563 | 12-1/2" | 1-1/4" | 284JP |
| 40 | 3 | L01563 | 12-1/2" | 1-1/4" | 286JP |
| 50 | 3 | L01563 | 12-1/2" | 1-1/4" | 324JP |

NOTE 1: For an explanation of the tabulated material found on this page and for impeller key location, refer to *Supplement A* located at the beginning of this section.

NOTE 2: Also accepts gasket S05126 as replacement for o-ring. See *Supplement E* located at the beginning of this section.



Type "B" Single Stage Centrifugal Pump Electric Motor Drive

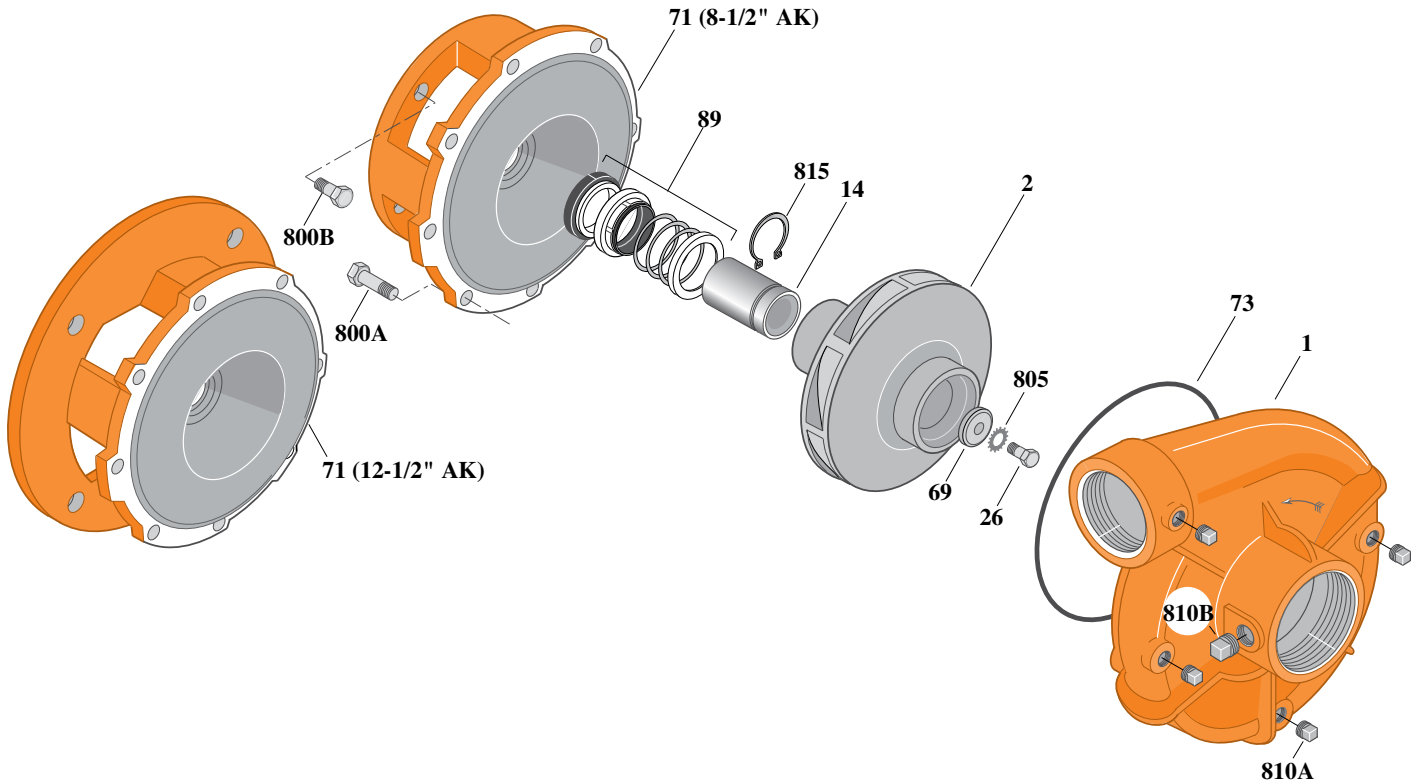
| | |
|-------------------|--------------|
| Section | CC |
| Page | 180.3 |
| Date | July 1, 2011 |
| Supersedes 1/1/04 | |

CAST IRON IMPELLER

B3ZPLS

Threaded Case (NPT)

Mechanical Shaft Seal Construction



| Item | Part Description | Part Number |
|------|---|--------------|
| 1 | Case, Volute | H00689 |
| 2 | Impeller | See Table I |
| 14 | Sleeve, Shaft | S18869L |
| 26 | Screw, Impeller 1/2 - 13 x 1-1/4" | S23623 |
| 32 | Key, 1/4 x 2-1/4" (See Note 1) | S23677 |
| 69 | Washer, Impeller | S06319 |
| 71 | Bracket | See Table II |
| 73 | O-Ring (See Note 2) | M14943 |
| 89 | Seal, Mechanical Shaft | S32015 |
| 800A | Capscrew, 3/8 - 16 x 1" (8 Req.) | S26826 |
| 800B | Capscrew, 1/2 - 13 x 1" (4 Req.) (For 8-1/2 AK) | S26912 |
| 800B | Capscrew, 5/8 - 11 x 1-1/4" (4 Req.) (For 12-1/2 AK) | S26997 |
| 805 | Washer, Lock | S23038 |
| 810A | Plug, Pipe 1/4 NPT (4 Req.) | S23715 |
| 810B | Plug, Pipe 1/2 NPT | S23717 |
| 815 | Ring, Retaining | S16767 |

Table I

| B/M No. | HP | PH | RPM | "U" Dim. | Imp. Dia. | Imp. No. |
|---------|----|----|------|----------|-----------|----------|
| B54112 | 20 | 3 | 3600 | 1-1/4" | 6.75" | M07705 |
| B54113 | 25 | 3 | 3600 | 1-1/4" | 7.25" | M07706 |
| B54114 | 30 | 3 | 3600 | 1-1/4" | 7.75" | M07707 |
| B54115 | 40 | 3 | 3600 | 1-1/4" | 8.62" | M07708 |
| B54116 | 50 | 3 | 3600 | 1-1/4" | 9.00" | M03380 |

Table II

| HP | PH | Bracket No. | "AK" Fit | "U" Dim. | Motor Frame |
|----|----|-------------|----------|----------|-------------|
| 20 | 3 | L04615 | 8-1/2" | 1-1/4" | 254JM |
| 25 | 3 | L04615 | 8-1/2" | 1-1/4" | 256JM |
| 30 | 3 | L04627 | 12-1/2" | 1-1/4" | 284JM |
| 40 | 3 | L04627 | 12-1/2" | 1-1/4" | 286JM |
| 50 | 3 | L04627 | 12-1/2" | 1-1/4" | 324JM |

NOTE 1: For an explanation of the tabulated material found on this page and for impeller key location, refer to *Supplement A* located at the beginning of this section.

NOTE 2: Also accepts gasket S05126 as replacement for o-ring. See *Supplement E* located at the beginning of this section.



Type "B" Single Stage Centrifugal Pump Electric Motor Drive

| | |
|-------------------|--------------|
| Section | CC |
| Page | 180.4 |
| Date | July 1, 2011 |
| Supersedes 1/1/04 | |

CAST IRON IMPELLERB3ZPLS

Flanged Case

Mechanical Shaft Seal Construction

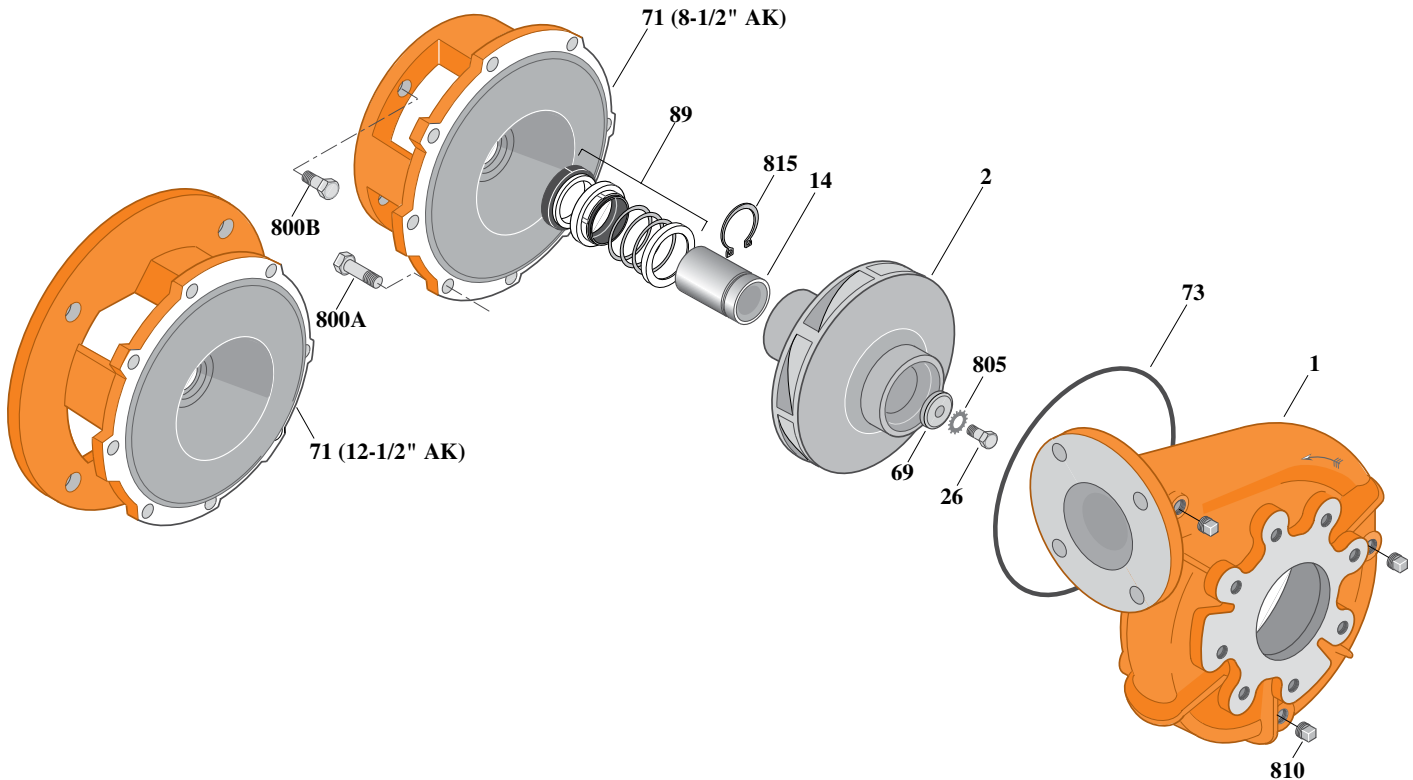


Table I

| B/M No. | HP | PH | RPM | "U" Dim. | Imp. Dia. | Imp. No. |
|---------|----|----|------|----------|-----------|----------|
| B70221 | 20 | 3 | 3600 | 1-1/4" | 6.75" | M07705 |
| B70224 | 25 | 3 | 3600 | 1-1/4" | 7.25" | M07706 |
| B70227 | 30 | 3 | 3600 | 1-1/4" | 7.75" | M07707 |
| B70230 | 40 | 3 | 3600 | 1-1/4" | 8.62" | M07708 |
| B70233 | 50 | 3 | 3600 | 1-1/4" | 9.00" | M03380 |

Table II

| HP | PH | Bracket No. | "AK" Fit | "U" Dim. | Motor Frame |
|----|----|-------------|----------|----------|-------------|
| 20 | 3 | L04615 | 8-1/2" | 1-1/4" | 254JM |
| 25 | 3 | L04615 | 8-1/2" | 1-1/4" | 256JM |
| 30 | 3 | L04627 | 12-1/2" | 1-1/4" | 284JM |
| 40 | 3 | L04627 | 12-1/2" | 1-1/4" | 286JM |
| 50 | 3 | L04627 | 12-1/2" | 1-1/4" | 324JM |

NOTE 1: For an explanation of the tabulated material found on this page and for impeller key location, refer to **Supplement A** located at the beginning of this section.

NOTE 2: Also accepts gasket S05126 as replacement for o-ring. See **Supplement E** located at the beginning of this section.

| Item | Part Description | Part Number |
|------|--|--------------|
| 1 | Case, Volute | H05130 |
| 2 | Impeller | See Table I |
| 14 | Sleeve, Shaft | S18869L |
| 26 | Screw, Impeller 1/2 - 13 x 1-1/2" | S23623 |
| 32 | Key, 1/4 x 2-1/4" (See Note 1) | S23677 |
| 69 | Washer, Impeller | S06319 |
| 71 | Bracket | See Table II |
| 73 | O-Ring (See Note 2) | M14943 |
| 89 | Seal, Mechanical Shaft | S32015 |
| 800A | Capscrew, 3/8 - 16 x 1" (8 Req.) | S26826 |
| 800B | Capscrew, 1/2 - 13 x 1" (4 Req.) (For 8-1/2 AK) | S26912 |
| 800B | Capscrew, 5/8 - 11 x 1-1/4" (4 Req.) (For 12-1/2 AK) | S26997 |
| 805 | Washer, Lock | S23038 |
| 810 | Plug, Pipe 1/4 NPT (3 Req.) | S23715 |
| 815 | Ring, Retaining | S16767 |



Type "B" Single Stage Centrifugal Pump Electric Motor Drive

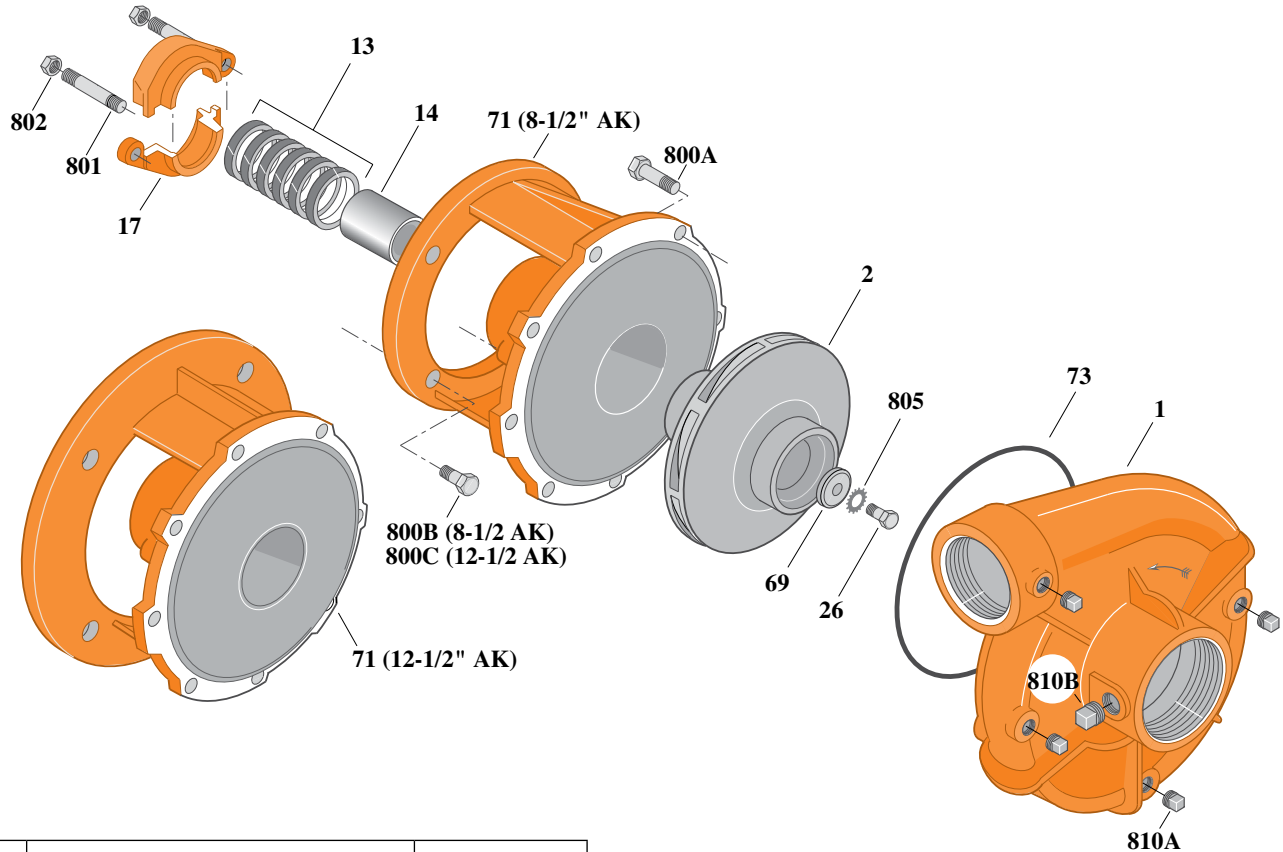
| | |
|-------------------|--------------|
| Section | CC |
| Page | 180.5 |
| Date | July 1, 2011 |
| Supersedes 1/1/04 | |

BRONZE IMPELLER

B3ZPL

Threaded Case (NPT)

Packing Construction



| Item | Part Description | Part Number |
|------|--------------------------------------|--------------|
| 1 | Case, Volute | H00689 |
| 2 | Impeller | See Table I |
| 13 | Rings, Packing (Set of 6) | S13470 |
| 14 | Sleeve, Shaft | S05149L |
| 17 | Gland, Packing | B82470 |
| 26 | Screw, Impeller 1/2 - 13 x 1-1/2" | S23623 |
| 32 | Key, 1/4 x 2-1/4" (See Note 1) | S23677 |
| 69 | Washer, Impeller | S06319 |
| 71 | Bracket | See Table II |
| 73 | O-Ring (See Note 2) | M14943 |
| 800A | Capscrew, 3/8 - 16 x 1-1/8" (8 Req.) | S26827 |
| 800B | Capscrew, 1/2 - 13 x 1-1/2" (4 Req.) | S26916 |
| 800C | Capscrew, 5/8 - 11 x 1-1/2" (4 Req.) | S26999 |
| 801 | Stud, 3/8 - 16 x 4" (2 Req.) | S08303 |
| 802 | Nut, Hex 3/8 - 16 (2 Req.) | S23343 |
| 805 | Washer, Lock | S23038 |
| 810A | Plug, Pipe 1/4 NPT (4 Req.) | S23715 |
| 810B | Plug, Pipe 1/2 NPT | S23717 |

Table I

| B/M No. | HP | PH | RPM | "U" Dim. | Imp. Dia. | Imp. No. |
|---------|---|----|-----|----------|-----------|----------|
| B66674 | These B/M Numbers Are No Longer Available. See Page 180.6.1 for Current Models. | | | | | |
| B66688 | | | | | | |
| B66694 | | | | | | |
| B66700 | | | | | | |
| B66845 | | | | | | |
| B66845 | | | | | | |

Table II

| HP | PH | Bracket No. | "AK" Fit | "U" Dim. | Motor Frame |
|----|----|-------------|----------|----------|-------------|
| 20 | 3 | L03827 | 8-1/2" | 1-1/4" | 254JP |
| 25 | 3 | L03827 | 8-1/2" | 1-1/4" | 256JP |
| 30 | 3 | L01563 | 12-1/2" | 1-1/4" | 284JP |
| 40 | 3 | L01563 | 12-1/2" | 1-1/4" | 286JP |
| 50 | 3 | L01563 | 12-1/2" | 1-1/4" | 324JP |

NOTE 1: For an explanation of the tabulated material found on this page and for impeller key location, refer to **Supplement A** located at the beginning of this section.

NOTE 2: Also accepts gasket S05126 as replacement for o-ring. See **Supplement E** located at the beginning of this section.



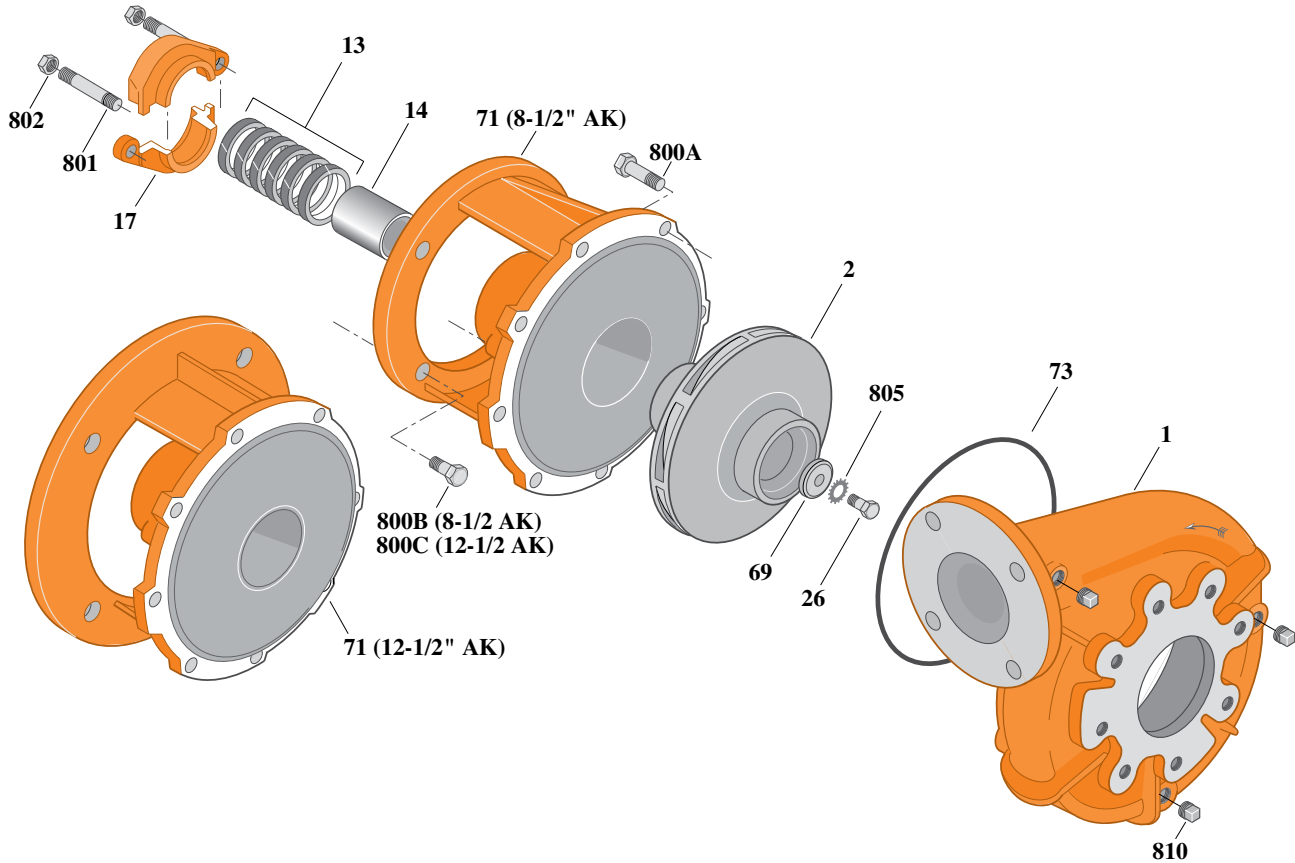
Type "B" Single Stage Centrifugal Pump Electric Motor Drive

| | |
|-------------------|--------------|
| Section | CC |
| Page | 180.6 |
| Date | July 1, 2011 |
| Supersedes 1/1/04 | |

BRONZE IMPELLER B3ZPL

Flanged Case

Packing Construction



| Item | Part Description | Part Number |
|------|--------------------------------------|--------------|
| 1 | Case, Volute | H05130 |
| 2 | Impeller | See Table I |
| 13 | Rings, Packing (Set of 6) | S13470 |
| 14 | Sleeve, Shaft | S05149L |
| 17 | Gland, Packing | B82470 |
| 26 | Screw, Impeller 1/2 - 13 x 1-1/2" | S23623 |
| 32 | Key, 1/4 x 2-1/4" (See Note 2) | S23677 |
| 69 | Washer, Impeller | S06319 |
| 71 | Bracket | See Table II |
| 73 | O-Ring (See Note 2) | M14943 |
| 800A | Capscrew, 3/8 - 16 x 1" (8 Req.) | S26826 |
| 800B | Capscrew, 1/2 - 13 x 1-1/2" (4 Req.) | S26916 |
| 800C | Capscrew, 5/8 - 11 x 1-1/2" (4 Req.) | S26999 |
| 801 | Stud, 3/8 - 16 x 4" (2 Req.) | S08303 |
| 802 | Nut, Hex 3/8 - 16 (2 Req.) | S23343 |
| 805 | Washer, Lock | S23038 |
| 810 | Plug, Pipe 1/4 NPT (3 Req.) | S23715 |

Table I

| B/M No. | HP | PH | RPM | "U" Dim. | Imp. Dia. | Imp. No. |
|---------|----|----|------|----------|-----------|----------|
| B70181 | 20 | 3 | 3600 | 1-1/4" | 6.75" | L06598 |
| B70184 | 25 | 3 | 3600 | 1-1/4" | 7.25" | L06599 |
| B70187 | 30 | 3 | 3600 | 1-1/4" | 7.75" | L06600 |
| B70190 | 40 | 3 | 3600 | 1-1/4" | 8.62" | L06601 |
| B70193 | 50 | 3 | 3600 | 1-1/4" | 9.00" | L06659 |

Table I

| HP | PH | Bracket No. | "AK" Fit | "U" Dim. | Motor Frame |
|----|----|-------------|----------|----------|-------------|
| 20 | 3 | L03827 | 8-1/2" | 1-1/4" | 254JP |
| 25 | 3 | L03827 | 8-1/2" | 1-1/4" | 256JP |
| 30 | 3 | L01563 | 12-1/2" | 1-1/4" | 284JP |
| 40 | 3 | L01563 | 12-1/2" | 1-1/4" | 286JP |
| 50 | 3 | L01563 | 12-1/2" | 1-1/4" | 324JP |

NOTE 1: For an explanation of the tabulated material found on this page and for impeller key location, refer to **Supplement A** located at the beginning of this section.

NOTE 2: Also accepts gasket S05126 as replacement for o-ring. See **Supplement E** located at the beginning of this section.



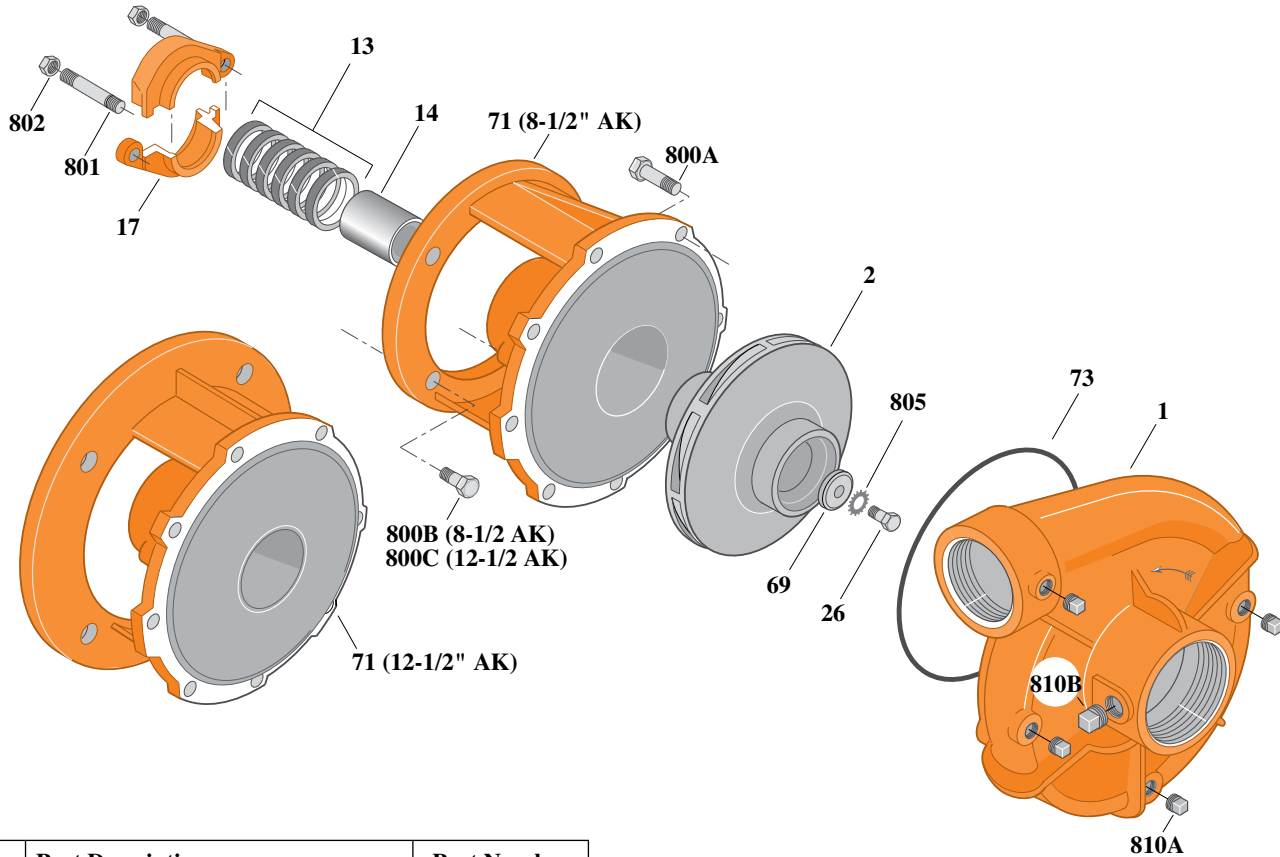
Type "B" Single Stage Centrifugal Pump Electric Motor Drive

| | |
|-------------------|--------------|
| Section | CC |
| Page | 180.6.1 |
| Date | July 1, 2011 |
| Supersedes 1/1/04 | |

SILICON BRONZE IMPELLER B3ZPL

Threaded Case (NPT)

Packing Construction



| Item | Part Description | Part Number |
|------|--------------------------------------|--------------|
| 1 | Case, Volute | H00689 |
| 2 | Impeller | See Table I |
| 13 | Rings, Packing (Set of 6) | S13470 |
| 14 | Sleeve, Shaft | S05149L |
| 17 | Gland, Packing | B82470 |
| 26 | Screw, Impeller 1/2 - 13 x 1-1/2" | S23623 |
| 32 | Key, 1/4 x 2-1/4" (See Note 1) | S23677 |
| 69 | Washer, Impeller | S06319 |
| 71 | Bracket | See Table II |
| 73 | O-Ring (See Note 2) | M14943 |
| 800A | Capscrew, 3/8 - 16 x 1-1/8" (8 Req.) | S26827 |
| 800B | Capscrew, 1/2 - 13 x 1-1/2" (4 Req.) | S26916 |
| 800C | Capscrew, 5/8 - 11 x 1-1/2" (4 Req.) | S26999 |
| 801 | Stud, 3/8 - 16 x 4" (2 Req.) | S08303 |
| 802 | Nut, Hex 3/8 - 16 (2 Req.) | S23343 |
| 805 | Washer, Lock | S23038 |
| 810A | Plug, Pipe 1/4 NPT (4 Req.) | S23715 |
| 810B | Plug, Pipe 1/2 NPT | S23717 |

Table I

| B/M No. | HP | PH | RPM | "U" Dim. | Imp. Dia. | Imp. No. |
|---------|----|----|------|----------|-----------|----------|
| B66674S | 20 | 3 | 3600 | 1-1/4" | 6.75" | H05484 |
| B66688S | 25 | 3 | 3600 | 1-1/4" | 7.25" | H05485 |
| B66694S | 30 | 3 | 3600 | 1-1/4" | 7.75" | H05486 |
| B66700S | 40 | 3 | 3600 | 1-1/4" | 8.62" | H05487 |
| B66845S | 50 | 3 | 3600 | 1-1/4" | 9.00" | H05488 |

Table II

| HP | PH | Bracket No. | "AK" Fit | "U" Dim. | Motor Frame |
|----|----|-------------|----------|----------|-------------|
| 20 | 3 | L03827 | 8-1/2" | 1-1/4" | 254JP |
| 25 | 3 | L03827 | 8-1/2" | 1-1/4" | 256JP |
| 30 | 3 | L01563 | 12-1/2" | 1-1/4" | 284JP |
| 40 | 3 | L01563 | 12-1/2" | 1-1/4" | 286JP |
| 50 | 3 | L01563 | 12-1/2" | 1-1/4" | 324JP |

NOTE 1: For an explanation of the tabulated material found on this page and for impeller key location, refer to *Supplement A* located at the beginning of this section.

NOTE 2: Also accepts gasket S05126 as replacement for o-ring. See *Supplement E* located at the beginning of this section.



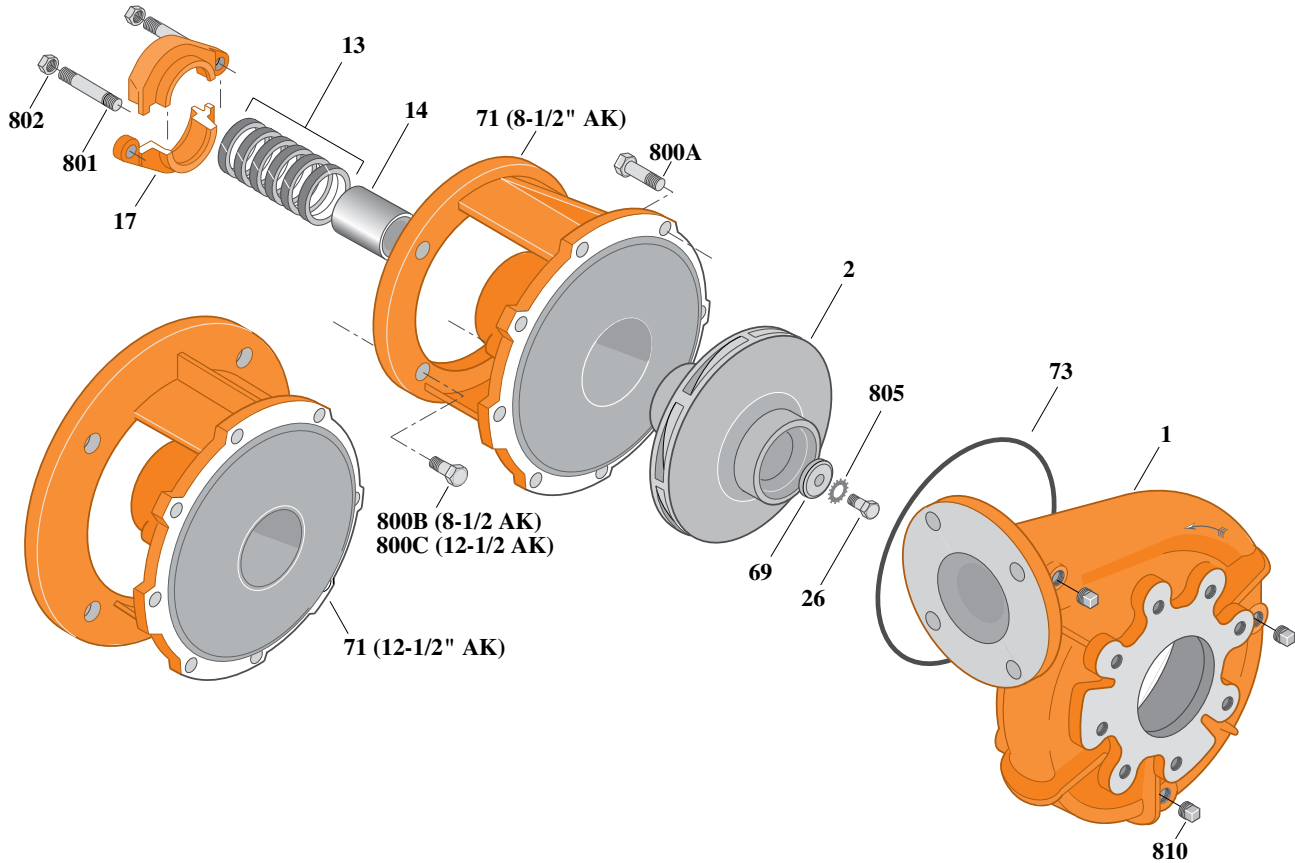
Type "B" Single Stage Centrifugal Pump Electric Motor Drive

| | |
|-------------------|--------------|
| Section | CC |
| Page | 180.6.2 |
| Date | July 1, 2011 |
| Supersedes 1/1/04 | |

SILICON BRONZE IMPELLERB3ZPL

Flanged Case

Packing Construction



| Item | Part Description | Part Number |
|------|--------------------------------------|--------------|
| 1 | Case, Volute | H05130 |
| 2 | Impeller | See Table I |
| 13 | Rings, Packing (Set of 6) | S13470 |
| 14 | Sleeve, Shaft | S05149L |
| 17 | Gland, Packing | B82470 |
| 26 | Screw, Impeller 1/2 - 13 x 1-1/2" | S23623 |
| 32 | Key, 1/4 x 2-1/4" (See Note 1) | S23677 |
| 69 | Washer, Impeller | S06319 |
| 71 | Bracket | See Table II |
| 73 | O-Ring (See Note 2) | M14943 |
| 800A | Capscrew, 3/8 - 16 x 1" (8 Req.) | S26826 |
| 800B | Capscrew, 1/2 - 13 x 1-1/2" (4 Req.) | S26916 |
| 800C | Capscrew, 5/8 - 11 x 1-1/2" (4 Req.) | S26999 |
| 801 | Stud, 3/8 - 16 x 4" (2 Req.) | S08303 |
| 802 | Nut, Hex 3/8 - 16 (2 Req.) | S23343 |
| 805 | Washer, Lock | S23038 |
| 810 | Plug, Pipe 1/4 NPT (3 Req.) | S23715 |

Table I

| B/M No. | HP | PH | RPM | "U" Dim. | Imp. Dia. | Imp. No. |
|---------|----|----|------|----------|-----------|----------|
| B70181S | 20 | 3 | 3600 | 1-1/4" | 6.75" | H05484 |
| B70184S | 25 | 3 | 3600 | 1-1/4" | 7.25" | H05485 |
| B70187S | 30 | 3 | 3600 | 1-1/4" | 7.75" | H05486 |
| B70190S | 40 | 3 | 3600 | 1-1/4" | 8.62" | H05487 |
| B70193S | 50 | 3 | 3600 | 1-1/4" | 9.00" | H05488 |

Table II

| HP | PH | Bracket No. | "AK" Fit | "U" Dim. | Motor Frame |
|----|----|-------------|----------|----------|-------------|
| 20 | 3 | L03827 | 8-1/2" | 1-1/4" | 254JP |
| 25 | 3 | L03827 | 8-1/2" | 1-1/4" | 256JP |
| 30 | 3 | L01563 | 12-1/2" | 1-1/4" | 284JP |
| 40 | 3 | L01563 | 12-1/2" | 1-1/4" | 286JP |
| 50 | 3 | L01563 | 12-1/2" | 1-1/4" | 324JP |

NOTE 1: For an explanation of the tabulated material found on this page and for impeller key location, refer to *Supplement A* located at the beginning of this section.

NOTE 2: Also accepts gasket S05126 as replacement for o-ring. See *Supplement E* located at the beginning of this section.



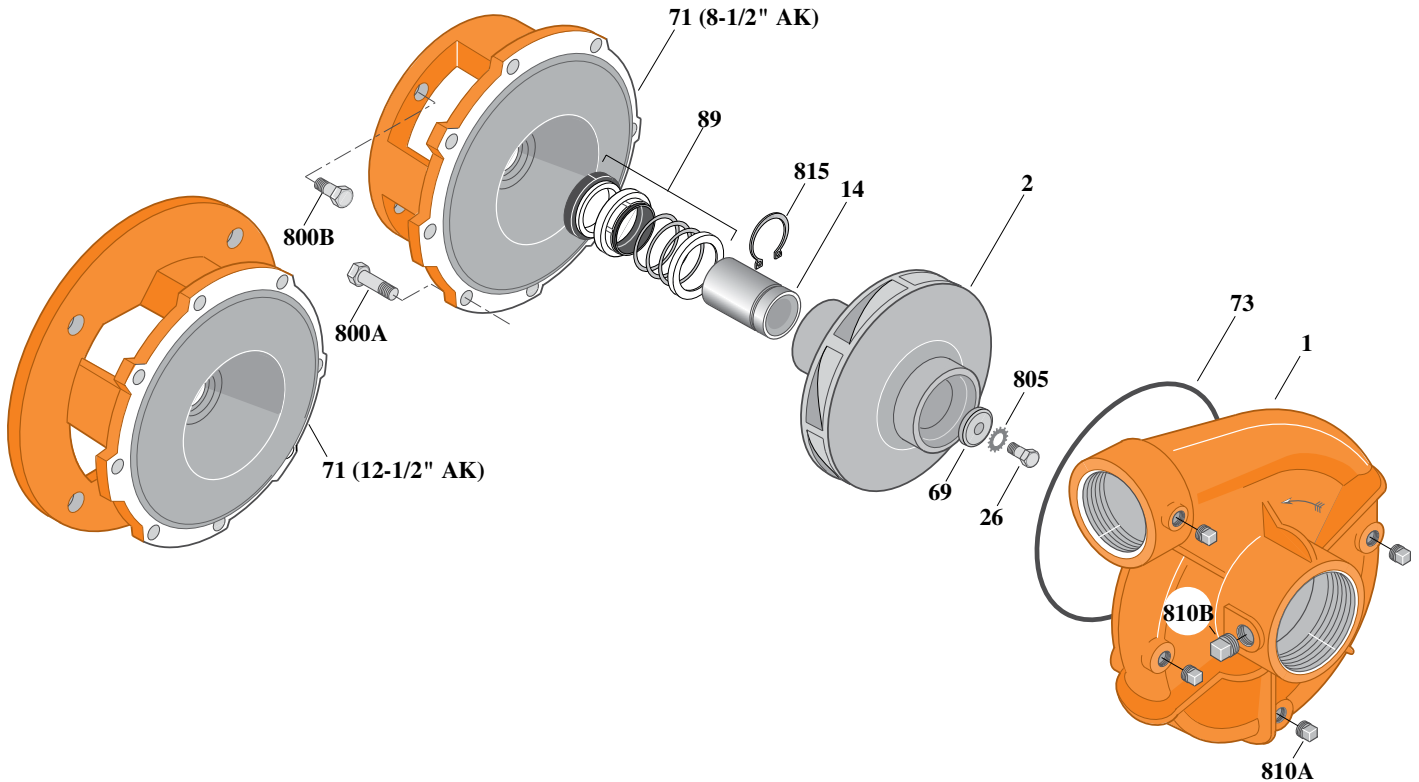
Type "B" Single Stage Centrifugal Pump Electric Motor Drive

| | |
|-------------------|--------------|
| Section | CC |
| Page | 180.7 |
| Date | July 1, 2011 |
| Supersedes 1/1/04 | |

BRONZE IMPELLERB3ZPLS

Threaded Case (NPT)

Mechanical Shaft Seal Construction



| Item | Part Description | Part Number |
|------|---|--------------|
| 1 | Case, Volute | H00689 |
| 2 | Impeller | See Table I |
| 14 | Sleeve, Shaft | S18869L |
| 26 | Screw, Impeller 1/2 - 13 x 1-1/2" | S23623 |
| 32 | Key, 1/4 x 2-1/4" (See Note 1) | S23677 |
| 69 | Washer, Impeller | S06319 |
| 71 | Bracket | See Table II |
| 73 | O-Ring (See Note 2) | M14943 |
| 89 | Seal, Mechanical Shaft | S32015 |
| 800A | Capscrew, 3/8 - 16 x 1" (8 Req.) | S26826 |
| 800B | Capscrew, 1/2 - 13 x 1" (4 Req.) (For 8-1/2 AK) | S26912 |
| 800B | Capscrew, 5/8 - 11 x 1-1/4" (4 Req.) (For 12-1/2 AK) | S26997 |
| 805 | Washer, Lock | S23038 |
| 810A | Plug, Pipe 1/4 NPT (4 Req.) | S23715 |
| 810B | Plug, Pipe 1/2 NPT | S23717 |
| 815 | Ring, Retaining | S16767 |

Table I

| B/M No. | HP | PH | RPM | "U" Dim. | Imp. Dia. | Imp. No. |
|---------|----|----|-----|----------|-----------|----------|
| B66675 | | | | | | |
| B66689 | | | | | | |
| B66695 | | | | | | |
| B66701 | | | | | | |
| B66847 | | | | | | |

These B/M Numbers
Are No Longer Available.

See Page 180.8.1 for Current Models.

Table II

| HP | PH | Bracket No. | "AK" Fit | "U" Dim. | Motor Frame |
|----|----|-------------|----------|----------|-------------|
| 20 | 3 | L04615 | 8-1/2" | 1-1/4" | 254JM |
| 25 | 3 | L04615 | 8-1/2" | 1-1/4" | 256JM |
| 30 | 3 | L04627 | 12-1/2" | 1-1/4" | 284JM |
| 40 | 3 | L04627 | 12-1/2" | 1-1/4" | 286JM |
| 50 | 3 | L04627 | 12-1/2" | 1-1/4" | 324JM |

NOTE 1: For an explanation of the tabulated material found on this page and for impeller key location, refer to **Supplement A** located at the beginning of this section.

NOTE 2: Also accepts gasket S05126 as replacement for o-ring. See **Supplement E** located at the beginning of this section.



Type "B" Single Stage Centrifugal Pump Electric Motor Drive

| | |
|-------------------|--------------|
| Section | CC |
| Page | 180.8 |
| Date | July 1, 2011 |
| Supersedes 1/1/04 | |

BRONZE IMPELLERB3ZPLS

Flanged Case

Mechanical Shaft Seal Construction

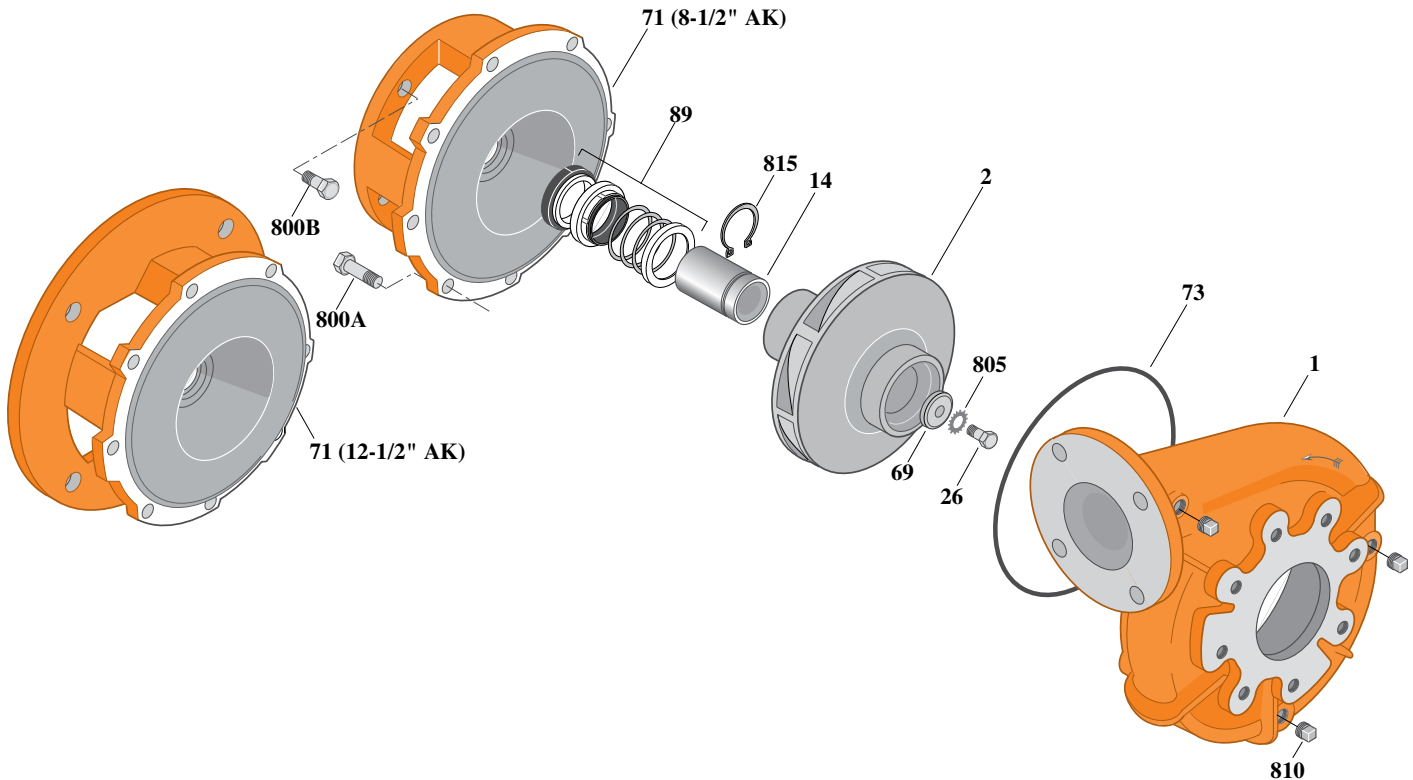


Table I

| B/M No. | HP | PH | RPM | "U" Dim. | Imp. Dia. | Imp. No. |
|---------|----|----|------|----------|-----------|----------|
| B70196 | 20 | 3 | 3600 | 1-1/4" | 6.75" | L06598 |
| B70198 | 25 | 3 | 3600 | 1-1/4" | 7.25" | L06599 |
| B70200 | 30 | 3 | 3600 | 1-1/4" | 7.75" | L06600 |
| B70202 | 40 | 3 | 3600 | 1-1/4" | 8.62" | L06601 |
| B70204 | 50 | 3 | 3600 | 1-1/4" | 9.00" | L06659 |

Table II

| HP | PH | Bracket No. | "AK" Fit | "U" Dim. | Motor Frame |
|----|----|-------------|----------|----------|-------------|
| 20 | 3 | L04615 | 8-1/2" | 1-1/4" | 254JM |
| 25 | 3 | L04615 | 8-1/2" | 1-1/4" | 256JM |
| 30 | 3 | L04627 | 12-1/2" | 1-1/4" | 284JM |
| 40 | 3 | L04627 | 12-1/2" | 1-1/4" | 286JM |
| 50 | 3 | L04627 | 12-1/2" | 1-1/4" | 324JM |

NOTE 1: For an explanation of the tabulated material found on this page and for impeller key location, refer to **Supplement A** located at the beginning of this section.

NOTE 2: Also accepts gasket S05126 as replacement for o-ring. See **Supplement E** located at the beginning of this section.

| Item | Part Description | Part Number |
|------|---|--------------|
| 1 | Case, Volute | H05130 |
| 2 | Impeller | See Table I |
| 14 | Sleeve, Shaft | S18869L |
| 26 | Screw, Impeller 1/2 - 13 x 1-1/2" | S23623 |
| 32 | Key, 1/4 x 2-1/4" (See Note 1) | S23677 |
| 69 | Washer, Impeller | S06319 |
| 71 | Bracket | See Table II |
| 73 | O-Ring (See Note 2) | M14943 |
| 89 | Seal, Mechanical Shaft | S32015 |
| 800A | Capscrew, 3/8 - 16 x 1" (8 Req.) | S26826 |
| 800B | Capscrew, 1/2 - 13 x 1" (4 Req.) (For 8-1/2 AK) | S26912 |
| 800B | Capscrew, 5/8 - 11 x 1-1/4" (4 Req.) (For 12-1/2 AK) | S26997 |
| 805 | Washer, Lock | S23038 |
| 810 | Plug, Pipe 1/4 NPT (3 Req.) | S23715 |
| 815 | Ring, Retaining | S16767 |



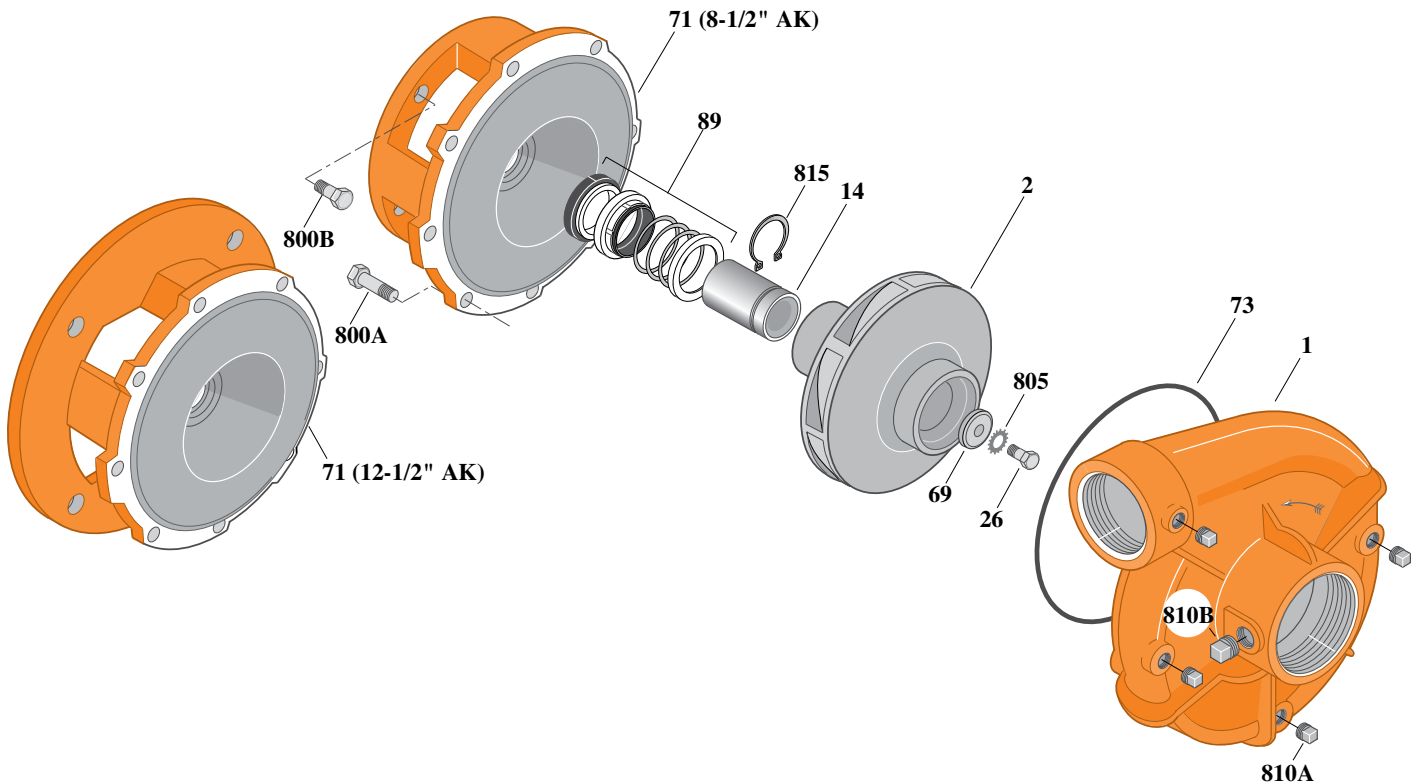
Type "B" Single Stage Centrifugal Pump Electric Motor Drive

| | |
|-------------------|--------------|
| Section | CC |
| Page | 180.8.1 |
| Date | July 1, 2011 |
| Supersedes 1/1/04 | |

SILICON BRONZE IMPELLERB3ZPLS

Threaded Case (NPT)

Mechanical Shaft Seal Construction



| Item | Part Description | Part Number |
|------|---|--------------|
| 1 | Case, Volute | H00689 |
| 2 | Impeller | See Table I |
| 14 | Sleeve, Shaft | S18869L |
| 26 | Screw, Impeller 1/2 - 13 x 1-1/2" | S23623 |
| 32 | Key, 1/4 x 2-1/4" (See Note 1) | S23677 |
| 69 | Washer, Impeller | S06319 |
| 71 | Bracket | See Table II |
| 73 | O-Ring (See Note 2) | M14943 |
| 89 | Seal, Mechanical Shaft | S32015 |
| 800A | Capscrew, 3/8 - 16 x 1" (8 Req.) | S26826 |
| 800B | Capscrew, 1/2 - 13 x 1" (4 Req.) (For 8-1/2 AK) | S26912 |
| 800B | Capscrew, 5/8 - 11 x 1-1/4" (4 Req.) (For 12-1/2 AK) | S26997 |
| 805 | Washer, Lock | S23038 |
| 810A | Plug, Pipe 1/4 NPT (4 Req.) | S23715 |
| 810B | Plug, Pipe 1/2 NPT | S23717 |
| 815 | Ring, Retaining | S16767 |

Table I

| B/M No. | HP | PH | RPM | "U" Dim. | Imp. Dia. | Imp. No. |
|---------|----|----|------|----------|-----------|----------|
| B66675S | 20 | 3 | 3600 | 1-1/4" | 6.75" | H05484 |
| B66689S | 25 | 3 | 3600 | 1-1/4" | 7.25" | H05485 |
| B66695S | 30 | 3 | 3600 | 1-1/4" | 7.75" | H05486 |
| B66701S | 40 | 3 | 3600 | 1-1/4" | 8.62" | H05487 |
| B66847S | 50 | 3 | 3600 | 1-1/4" | 9.00" | H05488 |

Table II

| HP | PH | Bracket No. | "AK" Fit | "U" Dim. | Motor Frame |
|----|----|-------------|----------|----------|-------------|
| 20 | 3 | L04615 | 8-1/2" | 1-1/4" | 254JM |
| 25 | 3 | L04615 | 8-1/2" | 1-1/4" | 256JM |
| 30 | 3 | L04627 | 12-1/2" | 1-1/4" | 284JM |
| 40 | 3 | L04627 | 12-1/2" | 1-1/4" | 286JM |
| 50 | 3 | L04627 | 12-1/2" | 1-1/4" | 324JM |

NOTE 1: For an explanation of the tabulated material found on this page and for impeller key location, refer to *Supplement A* located at the beginning of this section.

NOTE 2: Also accepts gasket S05126 as replacement for o-ring. See *Supplement E* located at the beginning of this section.



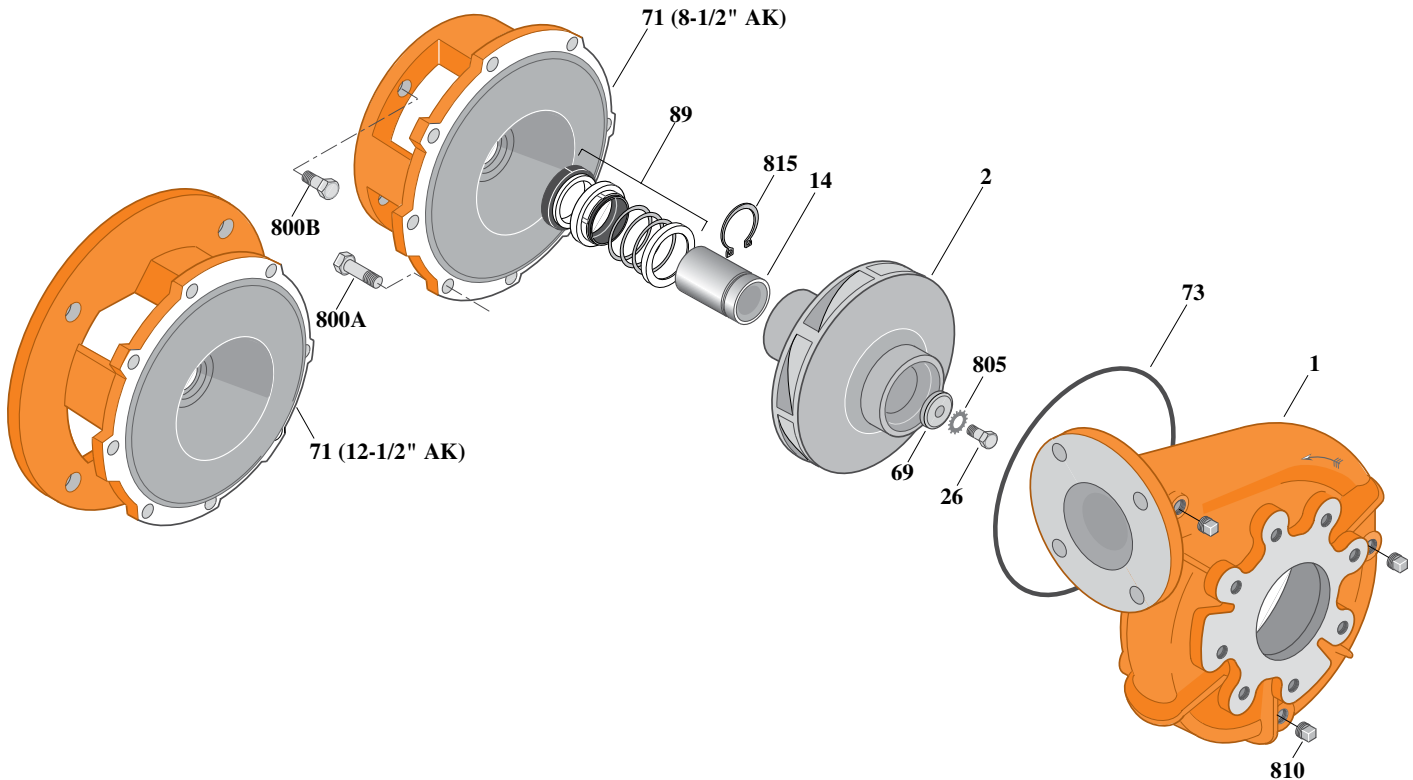
Type "B" Single Stage Centrifugal Pump Electric Motor Drive

| | |
|-------------------|--------------|
| Section | CC |
| Page | 180.8.2 |
| Date | July 1, 2011 |
| Supersedes 1/1/04 | |

SILICON BRONZE IMPELLER B3ZPLS

Flanged Case

Mechanical Shaft Seal Construction



| Item | Part Description | Part Number |
|------|---|--------------|
| 1 | Case, Volute | H05130 |
| 2 | Impeller | See Table I |
| 14 | Sleeve, Shaft | S18869L |
| 26 | Screw, Impeller 1/2 - 13 x 1-1/2" | S23623 |
| 32 | Key, 1/4 x 2-1/4" (See Note 1) | S23677 |
| 69 | Washer, Impeller | S06319 |
| 71 | Bracket | See Table II |
| 73 | O-Ring (See Note 2) | M14943 |
| 89 | Seal, Mechanical Shaft | S32015 |
| 800A | Capscrew, 3/8 - 16 x 1" (8 Req.) | S26826 |
| 800B | Capscrew, 1/2 - 13 x 1" (4 Req.) (For 8-1/2 AK) | S26912 |
| 800B | Capscrew, 5/8 - 11 x 1-1/4" (4 Req.) (For 12-1/2 AK) | S26997 |
| 805 | Washer, Lock | S23038 |
| 810 | Plug, Pipe 1/4 NPT (3 Req.) | S23715 |
| 815 | Ring, Retaining | S16767 |

Table I

| B/M No. | HP | PH | RPM | "U" Dim. | Imp. Dia. | Imp. No. |
|---------|----|----|------|----------|-----------|----------|
| B70196S | 20 | 3 | 3600 | 1-1/4" | 6.75" | H05484 |
| B70198S | 25 | 3 | 3600 | 1-1/4" | 7.25" | H05485 |
| B70200S | 30 | 3 | 3600 | 1-1/4" | 7.75" | H05486 |
| B70202S | 40 | 3 | 3600 | 1-1/4" | 8.62" | H05487 |
| B70204S | 50 | 3 | 3600 | 1-1/4" | 9.00" | H05488 |

Table II

| HP | PH | Bracket No. | "AK" Fit | "U" Dim. | Motor Frame |
|----|----|-------------|----------|----------|-------------|
| 20 | 3 | L04615 | 8-1/2" | 1-1/4" | 254JM |
| 25 | 3 | L04615 | 8-1/2" | 1-1/4" | 256JM |
| 30 | 3 | L04627 | 12-1/2" | 1-1/4" | 284JM |
| 40 | 3 | L04627 | 12-1/2" | 1-1/4" | 286JM |
| 50 | 3 | L04627 | 12-1/2" | 1-1/4" | 324JM |

NOTE 1: For an explanation of the tabulated material found on this page and for impeller key location, refer to **Supplement A** located at the beginning of this section.

NOTE 2: Also accepts gasket S05126 as replacement for o-ring. See **Supplement E** located at the beginning of this section.



Type "B" Single Stage Centrifugal Pump Electric Motor Drive

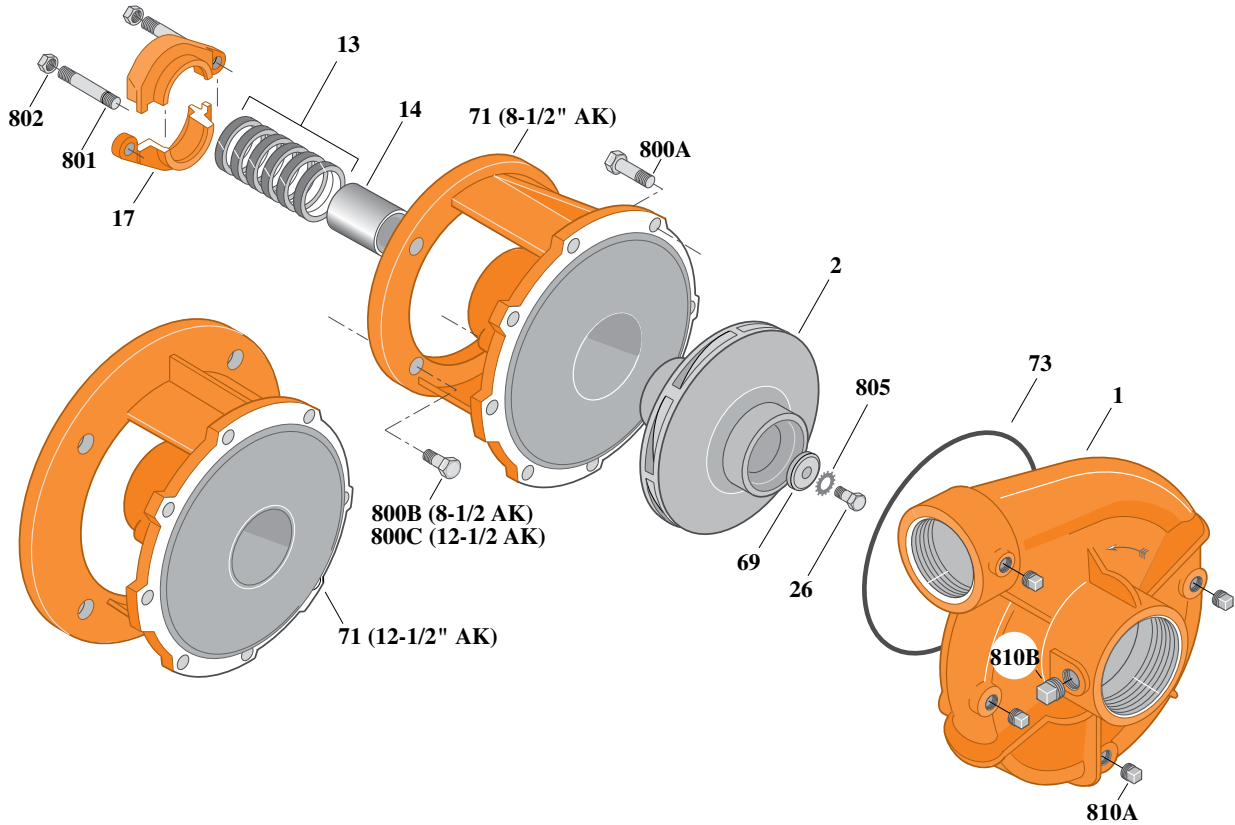
| | |
|-------------------|--------------|
| Section | CC |
| Page | 180.9 |
| Date | July 1, 2011 |
| Supersedes 1/1/04 | |

SILICON BRONZE IMPELLER

B3ZPL

Threaded Case (NPT)

Packing Construction



| Item | Part Description | Part Number |
|------|--------------------------------------|--------------|
| 1 | Case, Volute | H00689 |
| 2 | Impeller | See Table I |
| 13 | Rings, Packing (Set of 6) | S13470 |
| 14 | Sleeve, Shaft | S05149L |
| 17 | Gland, Packing | B82470 |
| 26 | Screw, Impeller 1/2 - 13 x 1-1/2" | S23623 |
| 32 | Key, 1/4 x 2-1/4" (See Note 1) | S23677 |
| 69 | Washer, Impeller | S06319 |
| 71 | Bracket | See Table II |
| 73 | O-Ring (See Note 2) | M14943 |
| 800A | Capscrew, 3/8 - 16 x 1" (8 Req.) | S26826 |
| 800B | Capscrew, 1/2 - 13 x 1-1/2" (4 Req.) | S26916 |
| 800C | Capscrew, 5/8 - 11 x 1-1/2" (4 Req.) | S26999 |
| 801 | Stud, 3/8 - 16 x 4" (2 Req.) | S08303 |
| 802 | Nut, Hex 3/8 - 16 (2 Req.) | S23343 |
| 805 | Washer, Lock | S23038 |
| 810A | Plug, Pipe 1/4" NPT (4 Req.) | S23715 |
| 810B | Plug, Pipe 1/2" NPT | S23717 |

Table I

| B/M No. | HP | PH | RPM | "U" Dim. | Imp. Dia. | Imp. No. |
|---------|----|----|------|----------|-----------|----------|
| B66674S | 20 | 3 | 3600 | 1-1/4" | 6.75" | H05484 |
| B66688S | 25 | 3 | 3600 | 1-1/4" | 7.25" | H05485 |
| B66694S | 30 | 3 | 3600 | 1-1/4" | 7.75" | H05486 |
| B66700S | 40 | 3 | 3600 | 1-1/4" | 8.62" | H05487 |
| B66845S | 50 | 3 | 3600 | 1-1/4" | 9.00" | H05488 |

Table II

| HP | PH | Bracket No. | "AK" Fit | "U" Dim. | Motor Frame |
|----|----|-------------|----------|----------|-------------|
| 20 | 3 | L03827 | 8-1/2" | 1-1/4" | 254JP |
| 25 | 3 | L03827 | 8-1/2" | 1-1/4" | 256JP |
| 30 | 3 | L01563 | 12-1/2" | 1-1/4" | 284JP |
| 40 | 3 | L01563 | 12-1/2" | 1-1/4" | 286JP |
| 50 | 3 | L01563 | 12-1/2" | 1-1/4" | 324JP |

NOTE 1: For an explanation of the tabulated material found on this page and for impeller key location, refer to *Supplement A* located at the beginning of this section.

NOTE 2: Also accepts gasket S05126 as replacement for o-ring. See *Supplement E* located at the beginning of this section.



Type "B" Single Stage Centrifugal Pump Electric Motor Drive

| | |
|-------------------|--------------|
| Section | CC |
| Page | 180.10 |
| Date | July 1, 2011 |
| Supersedes 1/1/04 | |

SILICON BRONZE IMPELLERB3ZPL

Flanged Case

Packing Construction

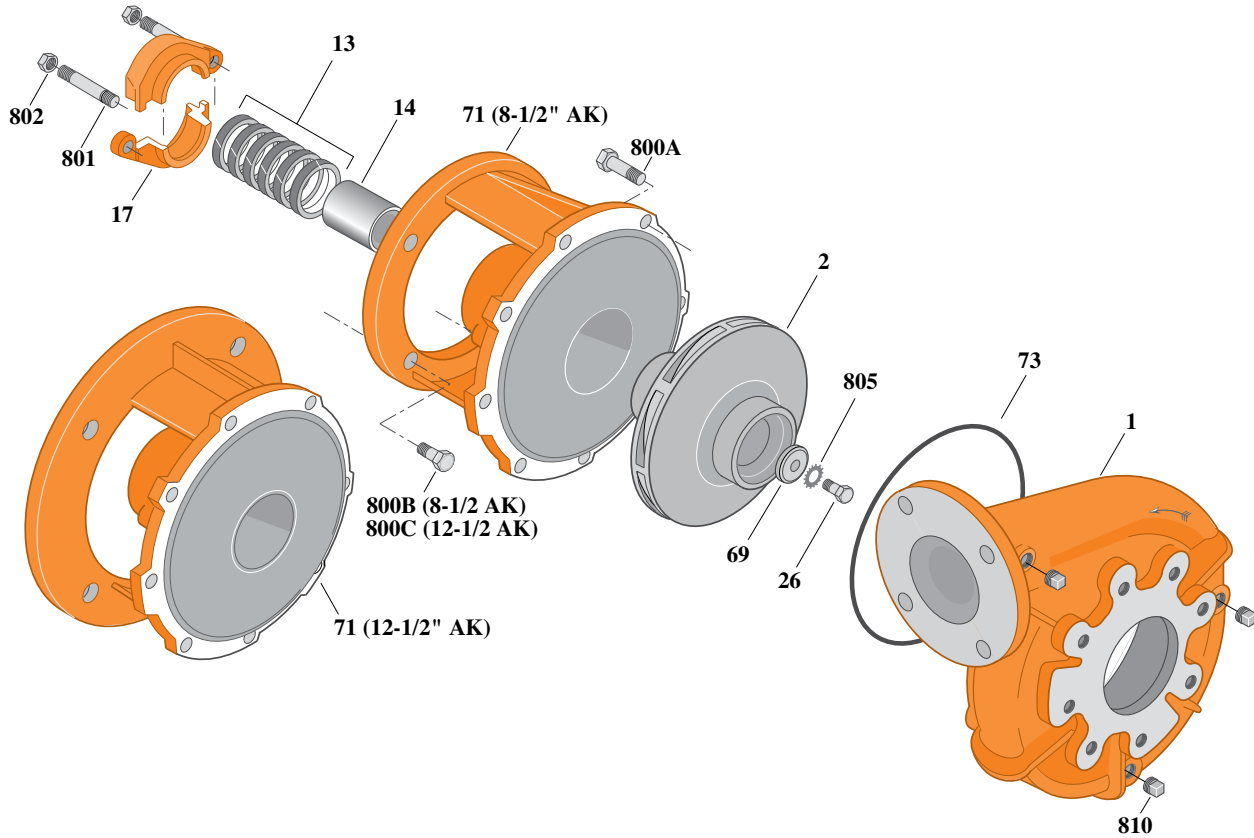


Table I

| B/M No. | HP | PH | RPM | "U" Dim. | Imp. Dia. | Imp. No. |
|---------|----|----|------|----------|-----------|----------|
| B70181S | 20 | 3 | 3600 | 1-1/4" | 6.75" | H05484 |
| B70184S | 25 | 3 | 3600 | 1-1/4" | 7.25" | H05485 |
| B70187S | 30 | 3 | 3600 | 1-1/4" | 7.75" | H05486 |
| B70190S | 40 | 3 | 3600 | 1-1/4" | 8.62" | H05487 |
| B70193S | 50 | 3 | 3600 | 1-1/4" | 9.00" | H05488 |

Table II

| HP | PH | Bracket No. | "AK" Fit | "U" Dim. | Motor Frame |
|----|----|-------------|----------|----------|-------------|
| 20 | 3 | L03827 | 8-1/2" | 1-1/4" | 254JP |
| 25 | 3 | L03827 | 8-1/2" | 1-1/4" | 256JP |
| 30 | 3 | L01563 | 12-1/2" | 1-1/4" | 284JP |
| 40 | 3 | L01563 | 12-1/2" | 1-1/4" | 286JP |
| 50 | 3 | L01563 | 12-1/2" | 1-1/4" | 324JP |

| Item | Part Description | Part Number |
|------|--------------------------------------|--------------|
| 1 | Case, Volute | H05130 |
| 2 | Impeller | See Table I |
| 13 | Rings, Packing (Set of 6) | S13470 |
| 14 | Sleeve, Shaft | S05149L |
| 17 | Gland, Packing | B82470 |
| 26 | Screw, Impeller 1/2 - 13 x 1-1/2" | S23623 |
| 32 | Key, 1/4 x 2-1/4" (See Note 1) | S23677 |
| 69 | Washer, Impeller | S06319 |
| 71 | Bracket | See Table II |
| 73 | O-Ring (See Note 2) | M14943 |
| 800A | Capscrew, 3/8 - 16 x 1" (8 Req.) | S26826 |
| 800B | Capscrew, 1/2 - 13 x 1-1/2" (4 Req.) | S26916 |
| 800C | Capscrew, 5/8 - 11 x 1-1/2" (4 Req.) | S26999 |
| 801 | Stud, 3/8 - 16 x 4" (2 Req.) | S08303 |
| 802 | Nut, Hex 3/8 - 16 (2 Req.) | S23343 |
| 805 | Washer, Lock | S23038 |
| 810 | Plug, Pipe 1/4" NPT (3 Req.) | S23715 |

NOTE 1: For an explanation of the tabulated material found on this page and for impeller key location, refer to *Supplement A* located at the beginning of this section.

NOTE 2: Also accepts gasket S05126 as replacement for o-ring. See *Supplement E* located at the beginning of this section.



Type "B" Single Stage Centrifugal Pump Electric Motor Drive

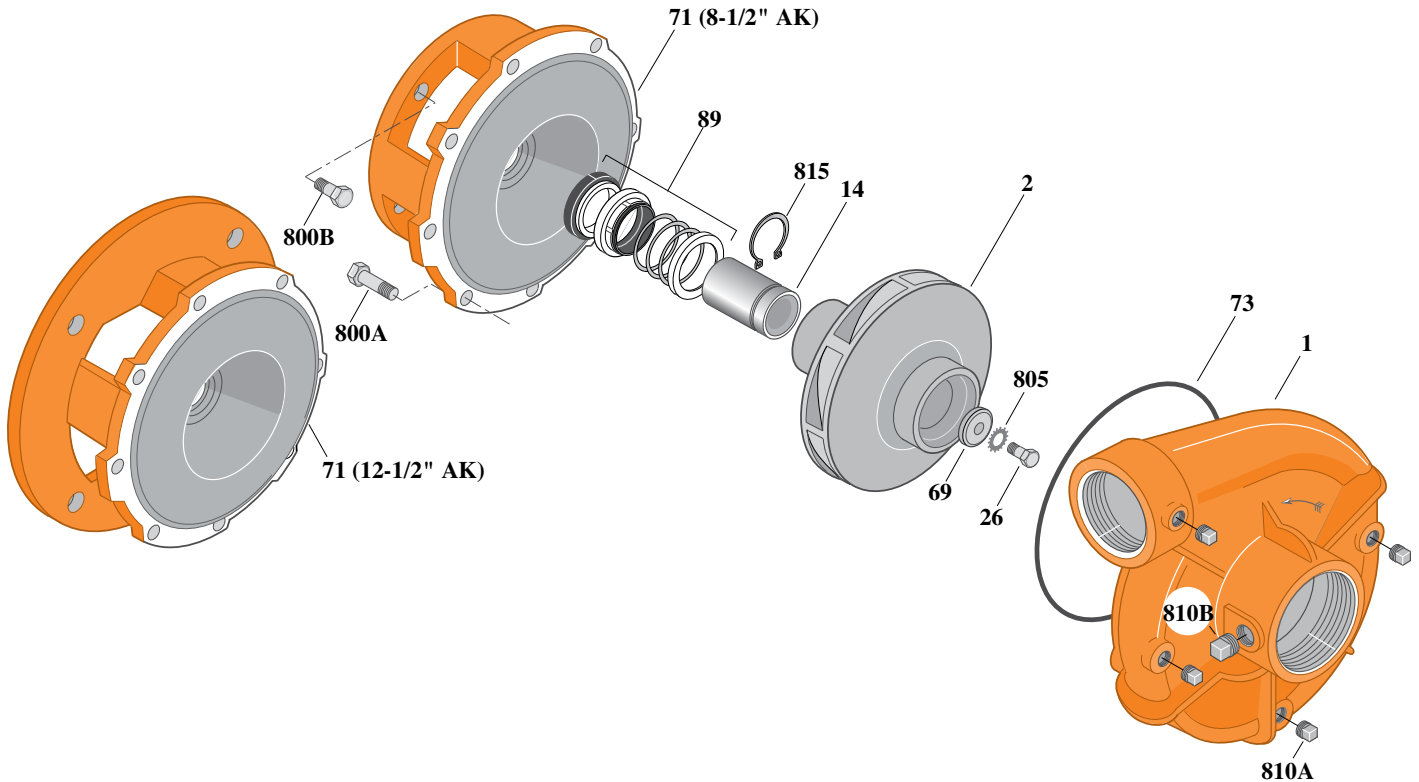
| | |
|-------------------|--------------|
| Section | CC |
| Page | 180.11 |
| Date | July 1, 2011 |
| Supersedes 1/1/04 | |

SILICON BRONZE IMPELLER

B3ZPLS

Threaded Case (NPT)

Mechanical Shaft Seal Construction



| Item | Part Description | Part Number |
|------|---|--------------|
| 1 | Case, Volute | H00689 |
| 2 | Impeller | See Table I |
| 14 | Sleeve, Shaft | S18869L |
| 26 | Screw, Impeller 1/2 - 13 x 1-1/2" | S23623 |
| 32 | Key, 1/4 x 2-1/4" (See Note 1) | S23677 |
| 69 | Washer, Impeller | S06319 |
| 71 | Bracket | See Table II |
| 73 | O-Ring (See Note 3) | M14943 |
| 89 | Seal, Mechanical Shaft | S32015 |
| 800A | Capscrew, 3/8 - 16 x 1" (8 Req.) | S26826 |
| 800B | Capscrew, 1/2 - 13 x 1" (4 Req.) (For 8-1/2 AK) | S26912 |
| 800B | Capscrew, 5/8 - 11 x 1-1/4" (4 Req.) (For 12-1/2 AK) | S26997 |
| 805 | Washer, Lock | S23038 |
| 810A | Plug, Pipe 1/4" NPT (4 Req.) | S23715 |
| 810B | Plug, Pipe 1/2" NPT | S23717 |
| 815 | Ring, Retaining | S16767 |
| • | Plug, Pipe 1/8" NPT (In Bracket) | S23714 |

• Not illustrated.

Table I

| B/M No. | HP | PH | RPM | "U" Dim. | Imp. Dia. | Imp. No. |
|---------|----|----|------|----------|-----------|----------|
| B66675S | 20 | 3 | 3600 | 1-1/4" | 6.75" | H05484 |
| B66689S | 25 | 3 | 3600 | 1-1/4" | 7.25" | H05485 |
| B66695S | 30 | 3 | 3600 | 1-1/4" | 7.75" | H05486 |
| B66701S | 40 | 3 | 3600 | 1-1/4" | 8.62" | H05487 |
| B66847S | 50 | 3 | 3600 | 1-1/4" | 9.00" | H05488 |

Table II

| HP | PH | Bracket No. | "AK" Fit | "U" Dim. | Motor Frame |
|----|----|-------------|----------|----------|-------------|
| 20 | 3 | L04615 | 8-1/2" | 1-1/4" | 254JM |
| 25 | 3 | L04615 | 8-1/2" | 1-1/4" | 256JM |
| 30 | 3 | L04627 | 12-1/2" | 1-1/4" | 284JM |
| 40 | 3 | L04627 | 12-1/2" | 1-1/4" | 286JM |
| 50 | 3 | L04627 | 12-1/2" | 1-1/4" | 324JM |

NOTE 1: For an explanation of the tabulated material found on this page and for impeller key location, refer to *Supplement A* located at the beginning of this section.

NOTE 2: For seal flush line details, see *Supplement D*.

NOTE 3: Also accepts gasket S05126 as replacement for o-ring. See *Supplement E* located at the beginning of this section.



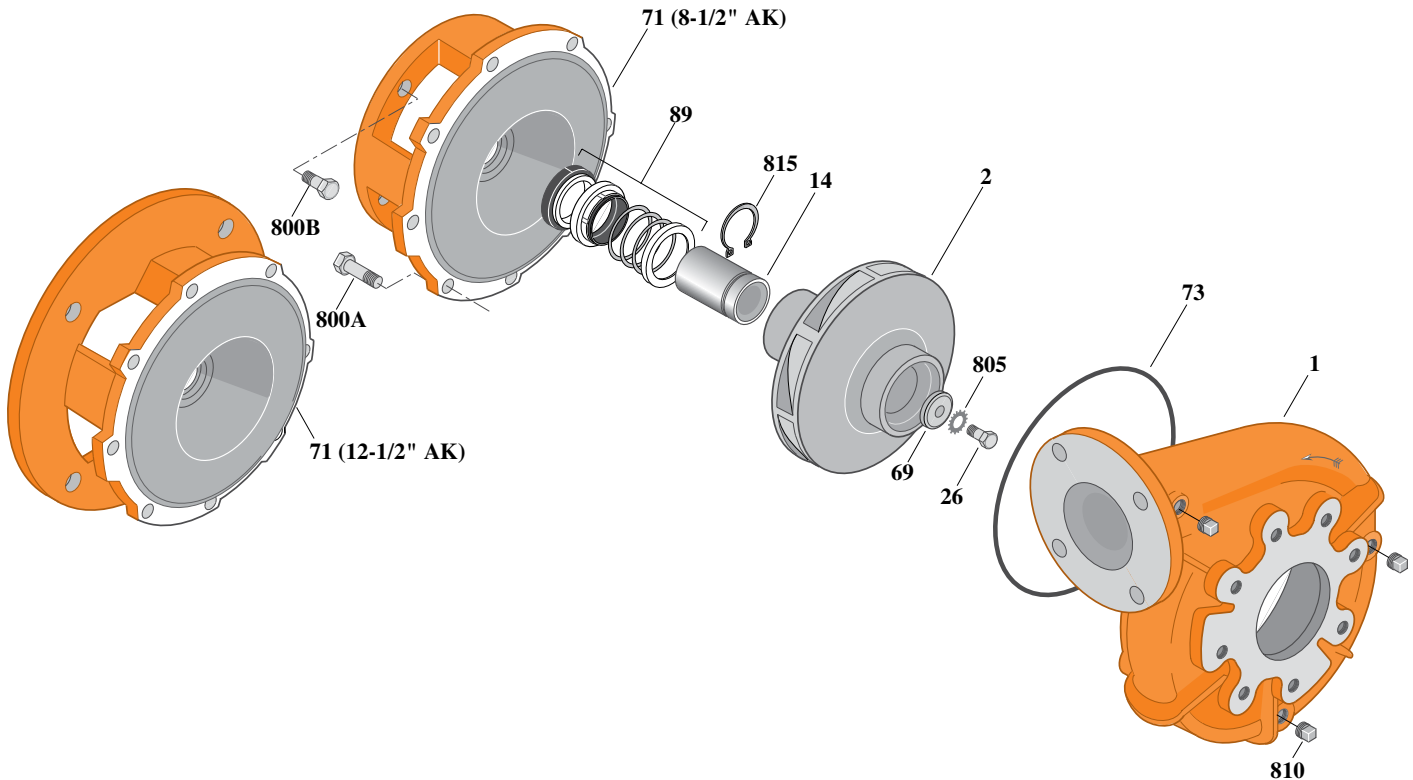
Type "B" Single Stage Centrifugal Pump Electric Motor Drive

| | |
|-------------------|--------------|
| Section | CC |
| Page | 180.12 |
| Date | July 1, 2011 |
| Supersedes 1/1/04 | |

SILICON BRONZE IMPELLERB3ZPLS

Flanged Case

Mechanical Shaft Seal Construction



| Item | Part Description | Part Number |
|------|---|--------------|
| 1 | Case, Volute | H05130 |
| 2 | Impeller | See Table I |
| 14 | Sleeve, Shaft | S18869L |
| 26 | Screw, Impeller 1/2 - 13 x 1-1/2" | S23623 |
| 32 | Key, 1/4 x 2-1/4" (See Note 1) | S23677 |
| 69 | Washer, Impeller | S06319 |
| 71 | Bracket | See Table II |
| 73 | O-Ring (See Note 3) | M14943 |
| 89 | Seal, Mechanical Shaft | S32015 |
| 800A | Capscrew, 3/8 - 16 x 1" (8 Req.) | S26826 |
| 800B | Capscrew, 1/2 - 13 x 1" (4 Req.) For 8-1/2 AK) | S26912 |
| 800B | Capscrew, 5/8 - 11 x 1-1/4" (4 Req.) (For 12-1/2 AK) | S26997 |
| 805 | Washer, Lock | S23038 |
| 810 | Plug, Pipe 1/4" NPT (3 Req.) | S23715 |
| 815 | Ring, Retaining | S16767 |
| • | Plug, Pipe 1/8" NPT (In Bracket) | S23714 |

• Not illustrated.

Table I

| B/M No. | HP | PH | RPM | "U" Dim. | Imp. Dia. | Imp. No. |
|---------|----|----|------|----------|-----------|----------|
| B70196S | 20 | 3 | 3600 | 1-1/4" | 6.75" | H05484 |
| B70198S | 25 | 3 | 3600 | 1-1/4" | 7.25" | H05485 |
| B70200S | 30 | 3 | 3600 | 1-1/4" | 7.75" | H05486 |
| B70202S | 40 | 3 | 3600 | 1-1/4" | 8.62" | H05487 |
| B70204S | 50 | 3 | 3600 | 1-1/4" | 9.00" | H05488 |

Table II

| HP | PH | Bracket No. | "AK" Fit | "U" Dim. | Motor Frame |
|----|----|-------------|----------|----------|-------------|
| 20 | 3 | L04615 | 8-1/2" | 1-1/4" | 254JM |
| 25 | 3 | L04615 | 8-1/2" | 1-1/4" | 256JM |
| 30 | 3 | L04627 | 12-1/2" | 1-1/4" | 284JM |
| 40 | 3 | L04627 | 12-1/2" | 1-1/4" | 286JM |
| 50 | 3 | L04627 | 12-1/2" | 1-1/4" | 324JM |

NOTE 1: For an explanation of the tabulated material found on this page and for impeller key location, refer to *Supplement A* located at the beginning of this section.

NOTE 2: For seal flush line details, see *Supplement D*.

NOTE 3: Also accepts gasket S05126 as replacement for o-ring. See *Supplement E* located at the beginning of this section.



Type "B" Single Stage Centrifugal Pump Electric Motor Drive

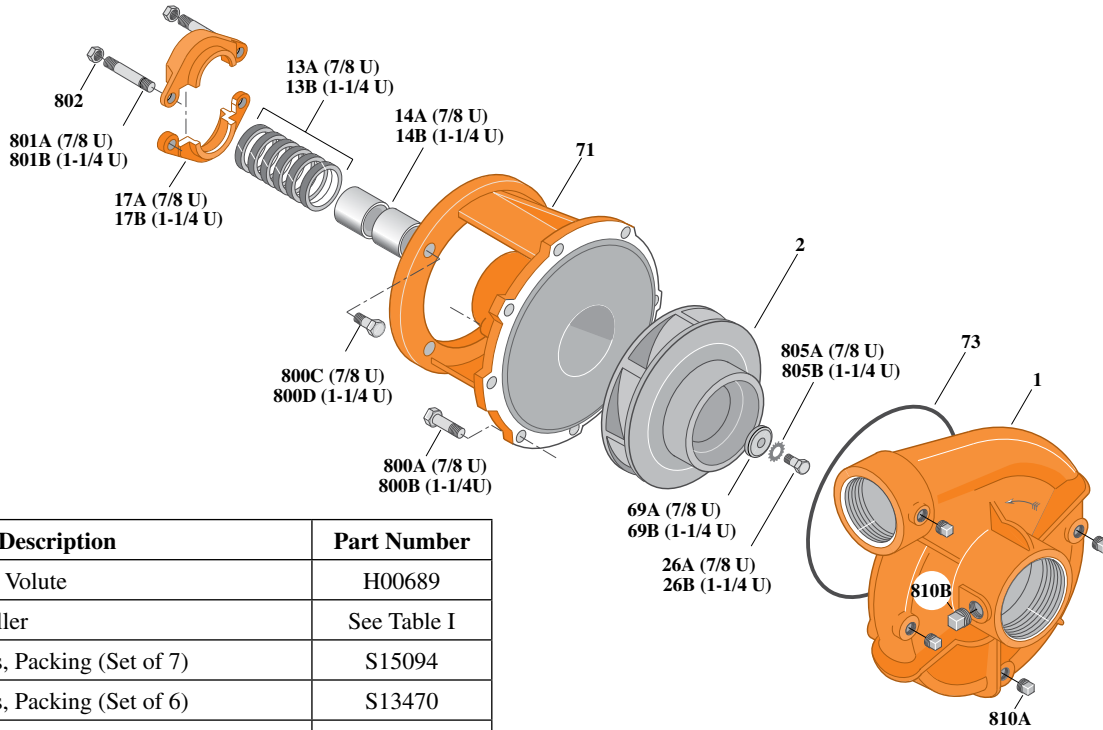
| | |
|-------------------|--------------|
| Section | CC |
| Page | 190.1 |
| Date | July 1, 2011 |
| Supersedes 1/1/04 | |

CAST IRON IMPELLER

B3ZPM

Threaded Case (NPT)

Packing Construction



| Item | Part Description | Part Number |
|------|--------------------------------------|--------------|
| 1 | Case, Volute | H00689 |
| 2 | Impeller | See Table I |
| 13A | Rings, Packing (Set of 7) | S15094 |
| 13B | Rings, Packing (Set of 6) | S13470 |
| 14A | Sleeve, Shaft (2 Req.) | S00619L |
| 14B | Sleeve, Shaft | S05149L |
| 17A | Gland, Packing | B82469 |
| 17B | Gland, Packing | B82470 |
| 26A | Screw, Impeller 3/8 - 16 x 1" | S23566 |
| 26B | Screw, Impeller 1/2 - 13 x 1" | S23619 |
| 32A | Key, 3/16 x 1-1/4" (See Note1) | S34383 |
| 32B | Key, 1/4 x 2-1/4" (See Note1) | S23677 |
| 69A | Washer, Impeller | S06314 |
| 69B | Washer, Impeller | S06319 |
| 71 | Bracket | See Table II |
| 73 | O-Ring (See Note 2) | M14943 |
| 800A | Capscrew, 3/8 - 16 x 1" (12 Req.) | S26826 |
| 800B | Capscrew, 3/8 - 16 x 1-1/8" (8 Req.) | S26827 |
| 800C | Capscrew, 1/2 - 13 x 1-1/2" (4 Req.) | S26916 |
| 801A | Stud, 3/8 - 16 x 3" (2 Req.) | S04439 |
| 801B | Stud, 3/8 - 16 x 4" (2 Req.) | S08303 |
| 802 | Nut, Hex 3/8 - 16 (2 Req.) | S23343 |
| 805A | Washer, Lock | S23036 |
| 805B | Washer, Lock | S23038 |
| 810A | Plug, Pipe 1/4 NPT (4 Req.) | S23715 |
| 810B | Plug, Pipe 1/2 NPT | S23717 |

Table I

| B/M No. | HP | PH | RPM | "U" Dim. | Imp. Dia. | Imp. No. |
|---------|----|----|------|----------|-----------|----------|
| B53820 | 3 | 1 | 1800 | 7/8" | 6.06" | M07709 |
| B53823 | 3 | 3 | 1800 | 7/8" | 6.06" | M07709 |
| B53821 | 5 | 1 | 1800 | 1-1/4" | 7.00" | M07711 |
| B53824 | 5 | 3 | 1800 | 7/8" | 7.00" | M07710 |

Table II

| HP | PH | Bracket No. | "AK" Fit | "U" Dim. | Motor Frame |
|----|----|-------------|----------|----------|-------------|
| 3 | 1 | H00950 | 4-1/2" | 7/8" | 184JP |
| 3 | 3 | H00950 | 4-1/2" | 7/8" | 182JP |
| 5 | 1 | L03827 | 8-1/2" | 1-1/4" | 213JP |
| 5 | 3 | H00950 | 4-1/2" | 7/8" | 184JP |

NOTE 1: For an explanation of the tabulated material found on this page and for impeller key location, refer to *Supplement A* located at the beginning of this section.

NOTE 2: Also accepts gasket S05126 as replacement for o-ring. See *Supplement E* located at the beginning of this section.



Type "B" Single Stage Centrifugal Pump Electric Motor Drive

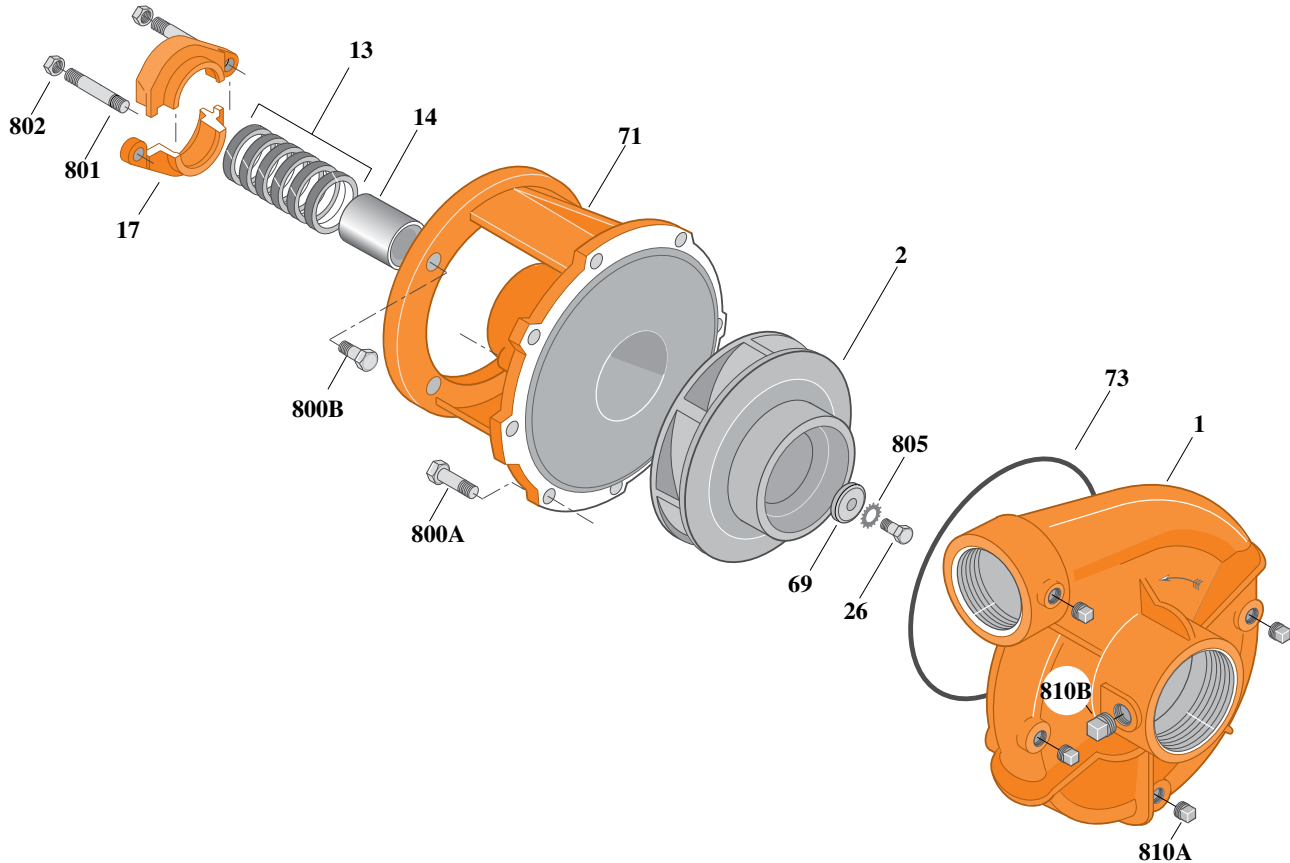
| | |
|-------------------|--------------|
| Section | CC |
| Page | 190.2 |
| Date | July 1, 2011 |
| Supersedes 1/1/04 | |

CAST IRON IMPELLER

B3ZPM

Threaded Case (NPT)

Packing Construction



| Item | Part Description | Part Number |
|------|--------------------------------------|--------------|
| 1 | Case, Volute | H00689 |
| 2 | Impeller | See Table I |
| 13 | Rings, Packing (Set of 6) | S13470 |
| 14 | Sleeve, Shaft | S05149L |
| 17 | Gland, Packing | B82470 |
| 26 | Screw, Impeller 1/2 - 13 x 1" | S23619 |
| 32 | Key, 1/4 x 2-1/4" (See Note 1) | S23677 |
| 69 | Washer, Impeller | S06319 |
| 71 | Bracket | See Table II |
| 73 | O-Ring (See Note 2) | M14943 |
| 800A | Capscrew, 3/8 - 16 x 1-1/8" (8 Req.) | S26827 |
| 800B | Capscrew, 1/2 - 13 x 1-1/2" (4 Req.) | S26916 |
| 801 | Stud, 3/8 - 16 x 4" (2 Req.) | S08303 |
| 802 | Nut, Hex 3/8 - 16 (2 Req.) | S23343 |
| 805 | Washer, Lock | S23038 |
| 810A | Plug, Pipe 1/4 NPT (4 Req.) | S23715 |
| 810B | Plug, Pipe 1/2 NPT | S23717 |

Table I

| B/M No. | HP | PH | RPM | "U" Dim. | Imp. Dia. | Imp. No. |
|---------|-----|----|------|----------|-----------|----------|
| B53822 | 7.5 | 1 | 1800 | 1-1/4" | 7.88" | M07712 |
| B53825 | 7.5 | 3 | 1800 | 1-1/4" | 7.88" | M07712 |
| B55579 | 10 | 1 | 1800 | 1-1/4" | 8.44" | M07713 |
| B53826 | 10 | 3 | 1800 | 1-1/4" | 8.44" | M07713 |
| B51711 | 15 | 3 | 1800 | 1-1/4" | 9.00" | M02911 |

Table II

| HP | PH | Bracket No. | "AK" Fit | "U" Dim. | Motor Frame |
|-----|----|-------------|----------|----------|-------------|
| 7.5 | 1 | L03827 | 8-1/2" | 1-1/4" | 215JP |
| 7.5 | 3 | L03827 | 8-1/2" | 1-1/4" | 213JP |
| 10 | 1 | L03827 | 8-1/2" | 1-1/4" | 215JP |
| 10 | 3 | L03827 | 8-1/2" | 1-1/4" | 215JP |
| 15 | 3 | L03827 | 8-1/2" | 1-1/4" | 254JP |

NOTE 1: For an explanation of the tabulated material found on this page and for impeller key location, refer to *Supplement A* located at the beginning of this section.

NOTE 2: Also accepts gasket S05126 as replacement for o-ring. See *Supplement E* located at the beginning of this section.



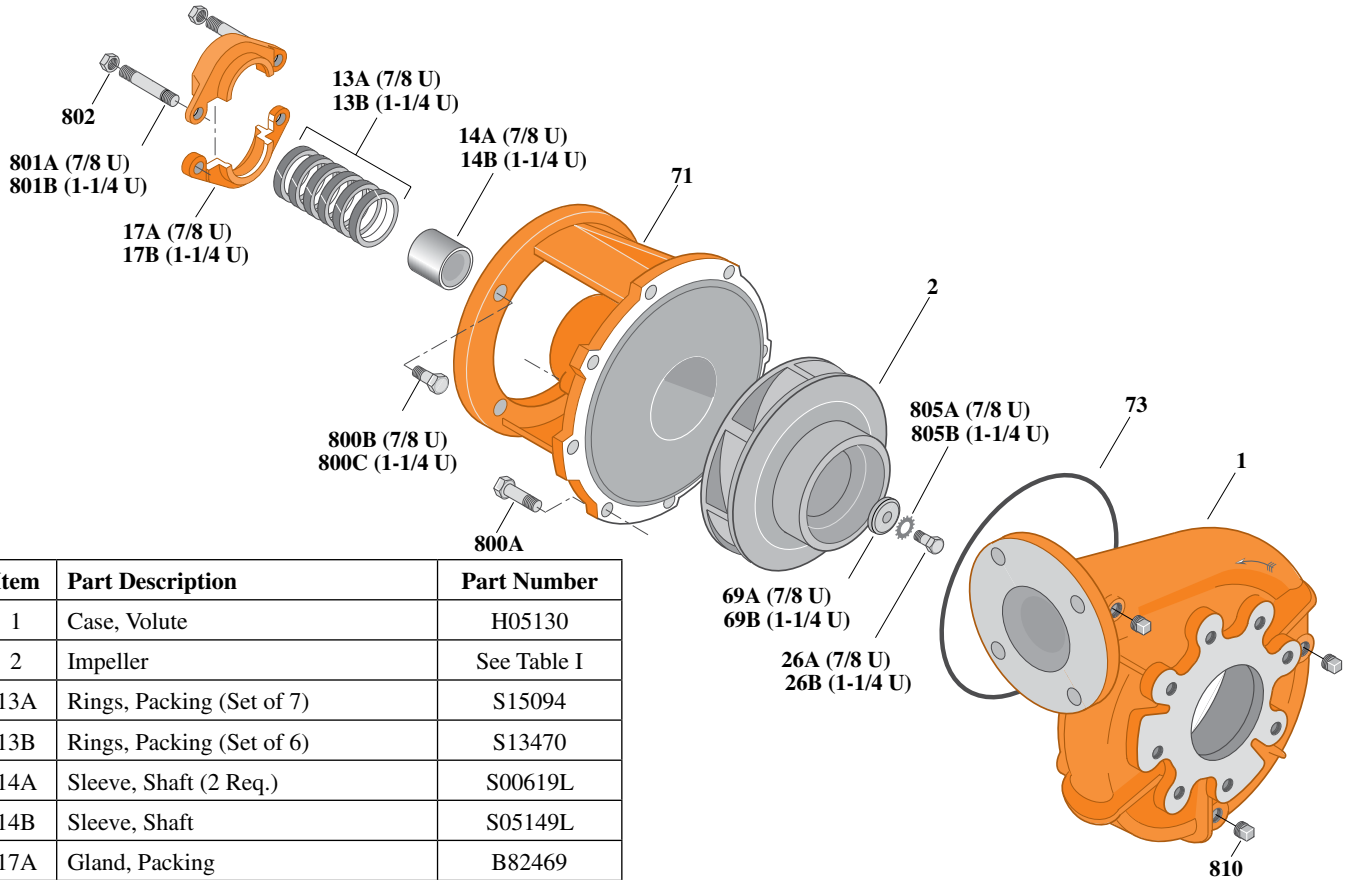
Type "B" Single Stage Centrifugal Pump Electric Motor Drive

| | |
|-------------------|--------------|
| Section | CC |
| Page | 190.3 |
| Date | July 1, 2011 |
| Supersedes 1/1/04 | |

CAST IRON IMPELLERB3ZPM

Flanged Case

Packing Construction



| Item | Part Description | Part Number |
|------|--------------------------------------|--------------|
| 1 | Case, Volute | H05130 |
| 2 | Impeller | See Table I |
| 13A | Rings, Packing (Set of 7) | S15094 |
| 13B | Rings, Packing (Set of 6) | S13470 |
| 14A | Sleeve, Shaft (2 Req.) | S00619L |
| 14B | Sleeve, Shaft | S05149L |
| 17A | Gland, Packing | B82469 |
| 17B | Gland, Packing | B82470 |
| 26A | Screw, Impeller 3/8 - 16 x 1" | S23566 |
| 26B | Screw, Impeller 1/2 - 13 x 1" | S23619 |
| 32A | Key, 3/16 x 1-1/4" (See Note 1) | S34383 |
| 32B | Key, 1/4 x 2-1/4" (See Note 1) | S23677 |
| 69A | Washer, Impeller | S06314 |
| 69B | Washer, Impeller | S06319 |
| 71 | Bracket | See Table II |
| 73 | O-Ring (See Note 2) | M14943 |
| 800A | Capscrew, 3/8 - 16 x 1" (12 Req.) | S26826 |
| 800B | Capscrew, 3/8 - 16 x 1" (8 Req.) | S26827 |
| 800C | Capscrew, 1/2 - 13 x 1-1/2" (4 Req.) | S26916 |
| 801A | Stud, 3/8 - 16 x 3" (2 Req.) | S04439 |
| 801B | Stud, 3/8 - 16 x 4" (2 Req.) | S08303 |
| 802 | Nut, Hex 3/8 - 16 (2 Req.) | S23343 |
| 805A | Washer, Lock | S23036 |
| 805B | Washer, Lock | S23038 |
| 810 | Plug, Pipe 1/4 NPT (3 Req.) | S23715 |

Table I

| B/M No. | HP | PH | RPM | "U" Dim. | Imp. Dia. | Imp. No. |
|---------|----|----|------|----------|-----------|----------|
| B70158 | 3 | 1 | 1800 | 7/8" | 6.06" | M07709 |
| B70236 | 3 | 3 | 1800 | 7/8" | 6.06" | M07709 |
| B70159 | 5 | 1 | 1800 | 1-1/4" | 7.00" | M07711 |
| B70237 | 5 | 3 | 1800 | 7/8" | 7.00" | M07710 |

Table II

| HP | PH | Bracket No. | "AK" Fit | "U" Dim. | Motor Frame |
|----|----|-------------|----------|----------|-------------|
| 3 | 1 | H00950 | 4-1/2" | 7/8" | 184JP |
| 3 | 3 | H00950 | 4-1/2" | 7/8" | 182JP |
| 5 | 1 | L03827 | 8-1/2" | 1-1/4" | 213JP |
| 5 | 3 | H00950 | 4-1/2" | 7/8" | 184JP |

NOTE 1: For an explanation of the tabulated material found on this page and for impeller key location, refer to *Supplement A* located at the beginning of this section.

NOTE 2: Also accepts gasket S05126 as replacement for o-ring. See *Supplement E* located at the beginning of this section.



Type "B" Single Stage Centrifugal Pump Electric Motor Drive

| | |
|-------------------|--------------|
| Section | CC |
| Page | 190.4 |
| Date | July 1, 2011 |
| Supersedes 1/1/04 | |

CAST IRON IMPELLERB3ZPM

Flanged Case

Packing Construction

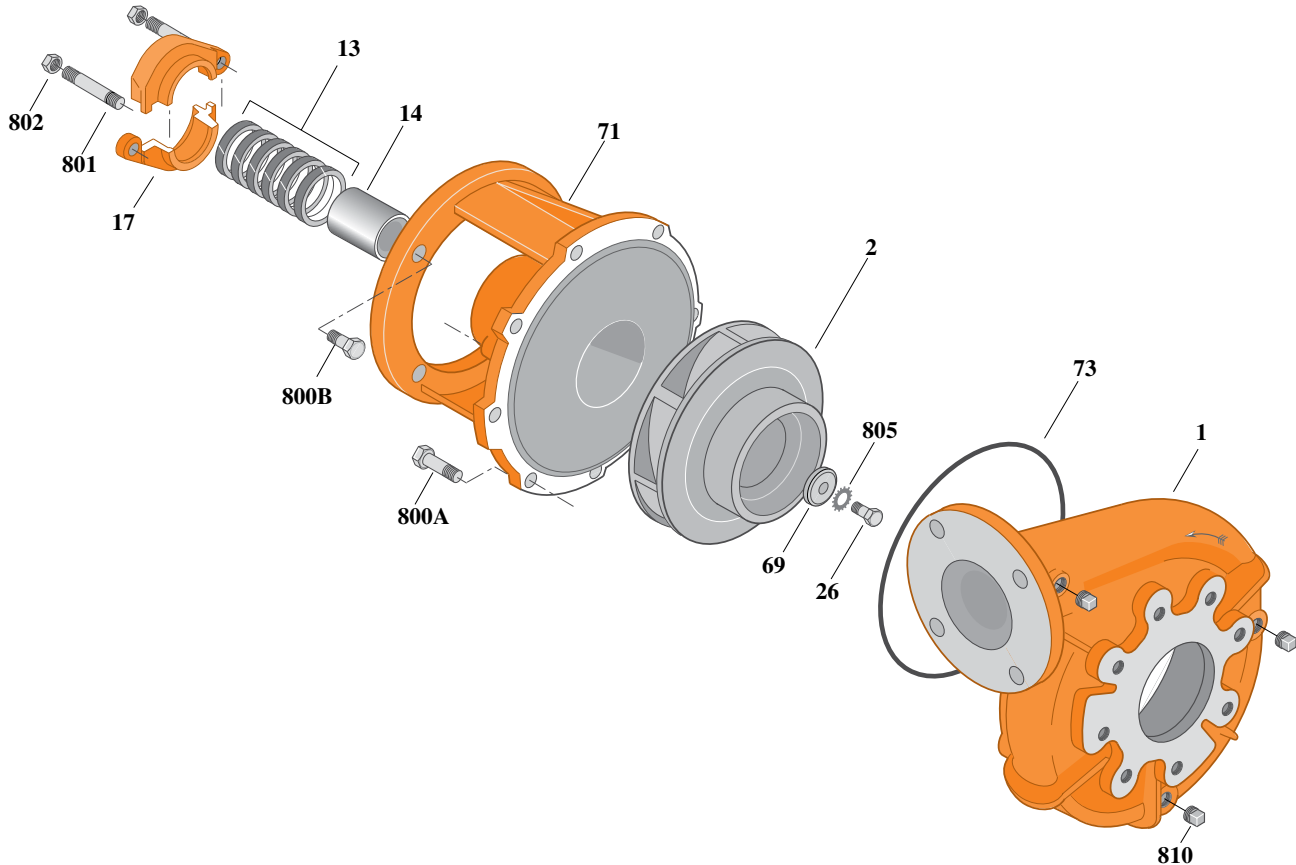


Table I

| Item | Part Description | Part Number |
|------|--------------------------------------|--------------|
| 1 | Case, Volute | H05130 |
| 2 | Impeller | See Table I |
| 13 | Rings, Packing (Set of 6) | S13470 |
| 14 | Sleeve, Shaft | S05149L |
| 17 | Gland, Packing | B82470 |
| 26 | Screw, Impeller 1/2 - 13 x 1" | S23619 |
| 32 | Key, 1/4 x 2-1/4" (See Note 1) | S23677 |
| 69 | Washer, Impeller | S06319 |
| 71 | Bracket | See Table II |
| 73 | O-Ring (See Note 2) | M14943 |
| 800A | Capscrew, 3/8 - 16 x 1" (8 Req.) | S26826 |
| 800B | Capscrew, 1/2 - 13 x 1-1/2" (4 Req.) | S26916 |
| 801 | Stud, 3/8 - 16 x 4" (2 Req.) | S08303 |
| 802 | Nut, Hex 3/8 - 16 (2 Req.) | S23343 |
| 805 | Washer, Lock | S23038 |
| 810 | Plug, Pipe 1/4 NPT (3 Req.) | S23715 |

| B/M No. | HP | PH | RPM | "U" Dim. | Imp. Dia. | Imp. No. |
|---------|-----|----|------|----------|-----------|----------|
| B70163 | 7.5 | 1 | 1800 | 1-1/4" | 7.88" | M07712 |
| B70239 | 7.5 | 3 | 1800 | 1-1/4" | 7.88" | M07712 |
| B70166 | 10 | 1 | 1800 | 1-1/4" | 8.44" | M07713 |
| B70240 | 10 | 3 | 1800 | 1-1/4" | 8.44" | M07713 |
| B70241 | 15 | 3 | 1800 | 1-1/4" | 9.00" | M02911 |

Table II

| HP | PH | Bracket No. | "AK" Fit | "U" Dim. | Motor Frame |
|-----|----|-------------|----------|----------|-------------|
| 7.5 | 1 | L03827 | 8-1/2" | 1-1/4" | 215JP |
| 7.5 | 3 | L03827 | 8-1/2" | 1-1/4" | 213JP |
| 10 | 1 | L03827 | 8-1/2" | 1-1/4" | 215JP |
| 10 | 3 | L03827 | 8-1/2" | 1-1/4" | 215JP |
| 15 | 3 | L03827 | 8-1/2" | 1-1/4" | 254JP |

NOTE 1: For an explanation of the tabulated material found on this page and for impeller key location, refer to *Supplement A* located at the beginning of this section.

NOTE 2: Also accepts gasket S05126 as replacement for o-ring. See *Supplement E* located at the beginning of this section.



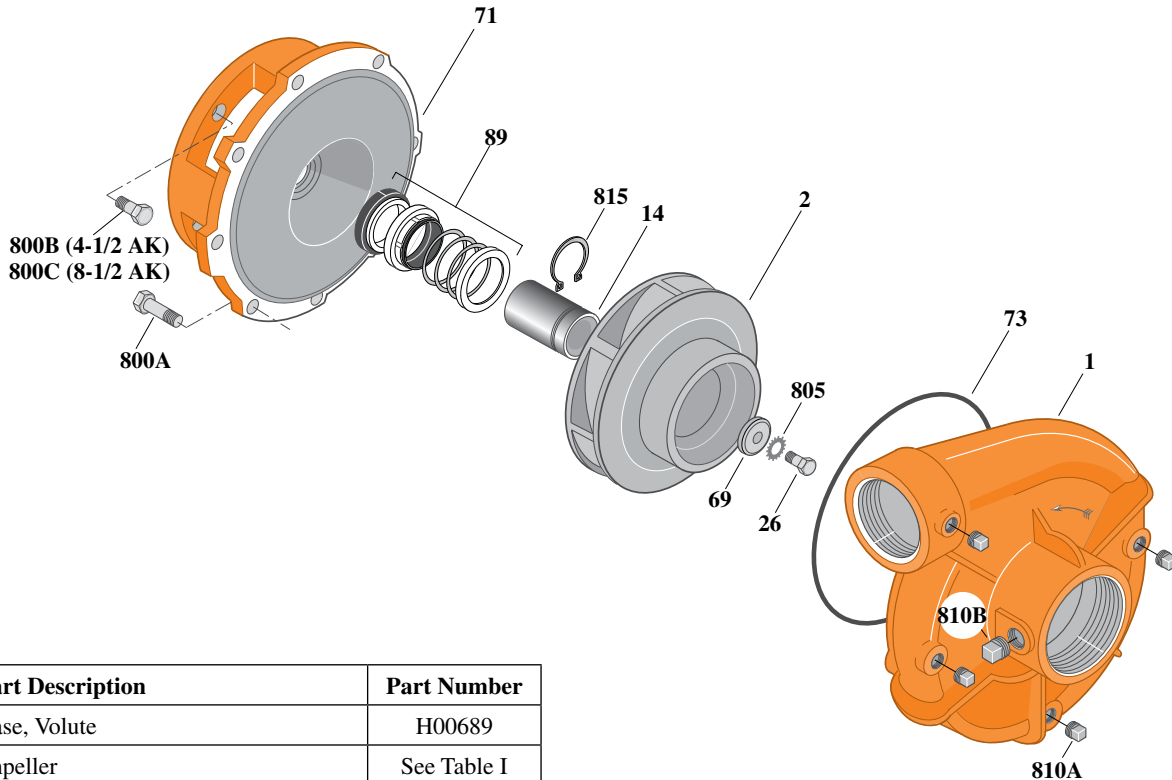
Type "B" Single Stage Centrifugal Pump Electric Motor Drive

| | |
|-------------------|--------------|
| Section | CC |
| Page | 190.5 |
| Date | July 1, 2011 |
| Supersedes 1/1/04 | |

CAST IRON IMPELLERB3ZPMS

Threaded Case (NPT)

Mechanical Shaft Seal Construction



| Item | Part Description | Part Number |
|------|---|--------------|
| 1 | Case, Volute | H00689 |
| 2 | Impeller | See Table I |
| 14 | Sleeve, Shaft | S19310L |
| 26 | Screw, Impeller 3/8 - 16 x 1" | S23566 |
| 32 | Key, 3/16 x 1-1/4" (See Note 1) | S34383 |
| 69 | Washer, Impeller | S06314 |
| 71 | Bracket | See Table II |
| 73 | O-Ring (See Note 2) | M14943 |
| 89 | Seal, Mechanical Shaft | S32014 |
| 800A | Capscrew, 3/8 - 16 x 1" (12 Req.) (4-1/2 AK) (Use for Motor and Volute) | S26826 |
| 800A | Capscrew, 3/8 - 16 x 1" (8 Req.) (8-1/2 AK) (Use for Volute Only) | S26826 |
| 800B | Capscrew, 1/2 - 13 x 1" (4 Req.) | S26912 |
| 805 | Washer, Lock | S23036 |
| 810A | Plug, Pipe 1/4 NPT (4 Req.) | S23715 |
| 810B | Plug, Pipe 1/2 NPT | S23717 |
| 815 | Ring, Retaining | S11207 |

Table I

| B/M No. | HP | PH | RPM | "U" Dim. | Imp. Dia. | Imp. No. |
|---------|-----|----|------|----------|-----------|----------|
| B54599 | 3 | 1 | 1800 | 7/8" | 6.06" | M07709 |
| B54603 | 3 | 3 | 1800 | 7/8" | 6.06" | M07709 |
| B54600 | 5 | 1 | 1800 | 7/8" | 7.00" | M07710 |
| B54604 | 5 | 3 | 1800 | 7/8" | 7.00" | M07710 |
| B54601 | 7.5 | 1 | 1800 | 7/8" | 7.88" | M07764 |
| B54605 | 7.5 | 3 | 1800 | 7/8" | 7.88" | M07764 |
| B54652 | 10 | 1 | 1800 | 7/8" | 8.44" | M07765 |
| B54606 | 10 | 3 | 1800 | 7/8" | 8.44" | M07765 |

Table II

| HP | PH | Bracket No. | "AK" Fit | "U" Dim. | Motor Frame |
|-----|----|-------------|----------|----------|-------------|
| 3 | 1 | L05332 | 4-1/2" | 7/8" | 184JM |
| 3 | 3 | L05332 | 4-1/2" | 7/8" | 182JM |
| 5 | 1 | L05331 | 8-1/2" | 7/8" | 213JM |
| 5 | 3 | L05332 | 4-1/2" | 7/8" | 184JM |
| 7.5 | 1 | L05331 | 8-1/2" | 7/8" | 215JM |
| 7.5 | 3 | L05331 | 8-1/2" | 7/8" | 213JM |
| 10 | 1 | L05331 | 8-1/2" | 7/8" | 215JM |
| 10 | 3 | L05331 | 8-1/2" | 7/8" | 215JM |

NOTE 1: For an explanation of the tabulated material found on this page and for impeller key location, refer to *Supplement A* located at the beginning of this section.

NOTE 2: Also accepts gasket S05126 as replacement for o-ring. See *Supplement E* located at the beginning of this section.



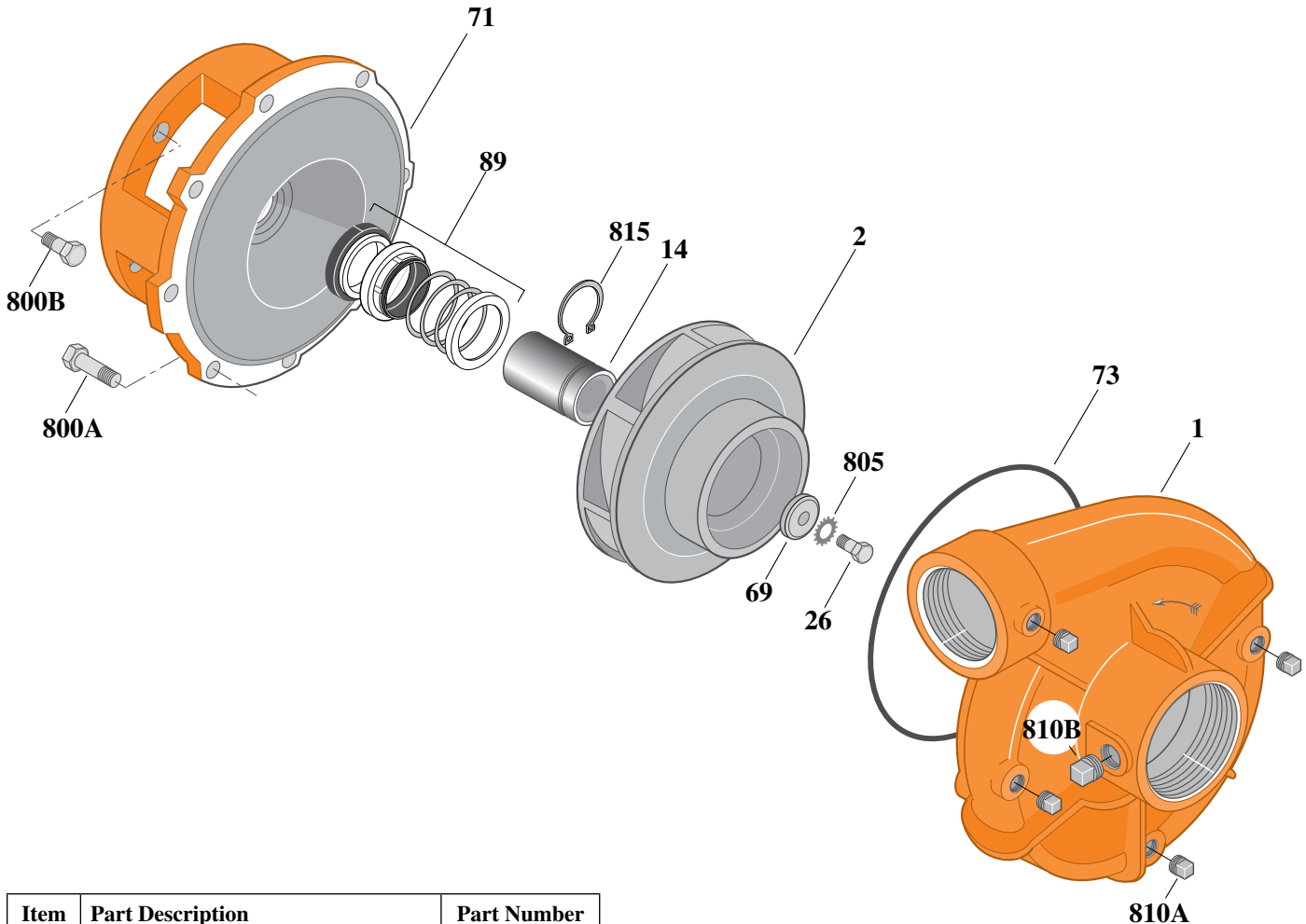
Type "B" Single Stage Centrifugal Pump Electric Motor Drive

| | |
|-------------------|--------------|
| Section | CC |
| Page | 190.6 |
| Date | July 1, 2011 |
| Supersedes 1/1/04 | |

CAST IRON IMPELLERB3ZPMS

Threaded Case (NPT)

Mechanical Shaft Seal Construction



| Item | Part Description | Part Number |
|------|----------------------------------|--------------|
| 1 | Case, Volute | H00689 |
| 2 | Impeller | See Table I |
| 14 | Sleeve, Shaft | S18869L |
| 26 | Screw, Impeller 1/2 - 13 x 1" | S23619 |
| 32 | Key, 1/4 x 2-1/4" (See Note 1) | S23677 |
| 69 | Washer, Impeller | S06319 |
| 71 | Bracket | See Table II |
| 73 | O-Ring (See Note 2) | M14943 |
| 89 | Seal, Mechanical Shaft | S32015 |
| 800A | Capscrew, 3/8 - 16 x 1" (8 Req.) | S26826 |
| 800B | Capscrew, 1/2 - 13 x 1" (4 Req.) | S26912 |
| 805 | Washer, Lock | S23038 |
| 810A | Plug, Pipe 1/4 NPT (4 Req.) | S23715 |
| 810B | Plug, Pipe 1/2 NPT | S23717 |
| 815 | Ring, Retaining | S16767 |

Table I

| B/M No. | HP | PH | RPM | "U" Dim. | Imp. Dia. | Imp. No. |
|---------|----|----|------|----------|-----------|----------|
| B54118 | 15 | 3 | 1800 | 1-1/4" | 9.00" | M02911 |

Table II

| HP | PH | Bracket No. | "AK" Fit | "U" Dim. | Motor Frame |
|----|----|-------------|----------|----------|-------------|
| 15 | 3 | L04615 | 8-1/2" | 1-1/4" | 254JM |

NOTE 1: For an explanation of the tabulated material found on this page and for impeller key location, refer to *Supplement A* located at the beginning of this section.

NOTE 2: Also accepts gasket S05126 as replacement for o-ring. See *Supplement E* located at the beginning of this section.



Type "B" Single Stage Centrifugal Pump Electric Motor Drive

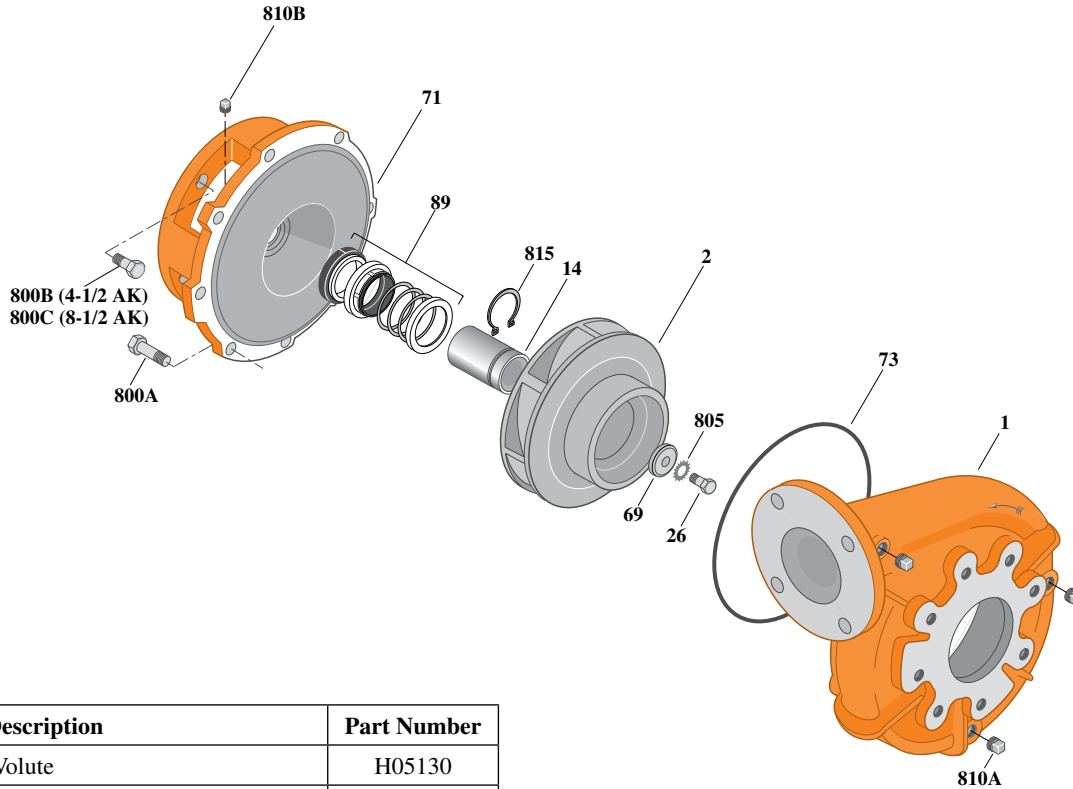
| | |
|-------------------|--------------|
| Section | CC |
| Page | 190.7 |
| Date | July 1, 2011 |
| Supersedes 1/1/04 | |

CAST IRON IMPELLER

B3ZPMS

Flanged Case

Mechanical Shaft Seal Construction



| Item | Part Description | Part Number |
|------|---|--------------|
| 1 | Case, Volute | H05130 |
| 2 | Impeller | See Table I |
| 14 | Sleeve, Shaft | S19310L |
| 26 | Screw, Impeller 3/8 - 16 x 1" | S23566 |
| 32 | Key, 3/16 x 1-1/4" (See Note 1) | S34383 |
| 69 | Washer, Impeller | S06314 |
| 71 | Bracket | See Table II |
| 73 | O-Ring (See Note 2) | M14943 |
| 89 | Seal, Mechanical Shaft | S32014 |
| 800A | Capscrew, 3/8 - 16 x 1" (12 Req.) (4-1/2 AK) (Use for Motor and Volute) | S26826 |
| 800A | Capscrew, 3/8 - 16 x 1" (8 Req.) (8-1/2 AK) (Use for Volute Only) | S26826 |
| 800B | Capscrew, 1/2 - 13 x 1" (4 Req.) | S26912 |
| 805 | Washer, Lock | S23036 |
| 810 | Plug, Pipe 1/4 NPT (3 Req.) | S23715 |
| 815 | Ring, Retaining | S11207 |

Table I

| B/M No. | HP | PH | RPM | "U" Dim. | Imp. Dia. | Imp. No. |
|---------|-----|----|------|----------|-----------|----------|
| B70169 | 3 | 1 | 1800 | 7/8" | 6.06" | M07709 |
| B70244 | 3 | 3 | 1800 | 7/8" | 6.06" | M07709 |
| B70172 | 5 | 1 | 1800 | 7/8" | 7.00" | M07710 |
| B70245 | 5 | 3 | 1800 | 7/8" | 7.00" | M07710 |
| B70175 | 7.5 | 1 | 1800 | 7/8" | 7.88" | M07764 |
| B70247 | 7.5 | 3 | 1800 | 7/8" | 7.88" | M07764 |
| B70178 | 10 | 1 | 1800 | 7/8" | 8.44" | M07765 |
| B70248 | 10 | 3 | 1800 | 7/8" | 8.44" | M07765 |

Table II

| HP | PH | Bracket No. | "AK" Fit | "U" Dim. | Motor Frame |
|-----|----|-------------|----------|----------|-------------|
| 3 | 1 | L05332 | 4-1/2" | 7/8" | 184JM |
| 3 | 3 | L05332 | 4-1/2" | 7/8" | 182JM |
| 5 | 1 | L05331 | 8-1/2" | 7/8" | 213JM |
| 5 | 3 | L05332 | 4-1/2" | 7/8" | 184JM |
| 7.5 | 1 | L05331 | 8-1/2" | 7/8" | 215JM |
| 7.5 | 3 | L05331 | 8-1/2" | 7/8" | 213JM |
| 10 | 1 | L05331 | 8-1/2" | 7/8" | 215JM |
| 10 | 3 | L05331 | 8-1/2" | 7/8" | 215JM |

NOTE 1: For an explanation of the tabulated material found on this page and for impeller key location, refer to *Supplement A* located at the beginning of this section.

NOTE 2: Also accepts gasket S05126 as replacement for o-ring. See *Supplement E* located at the beginning of this section.



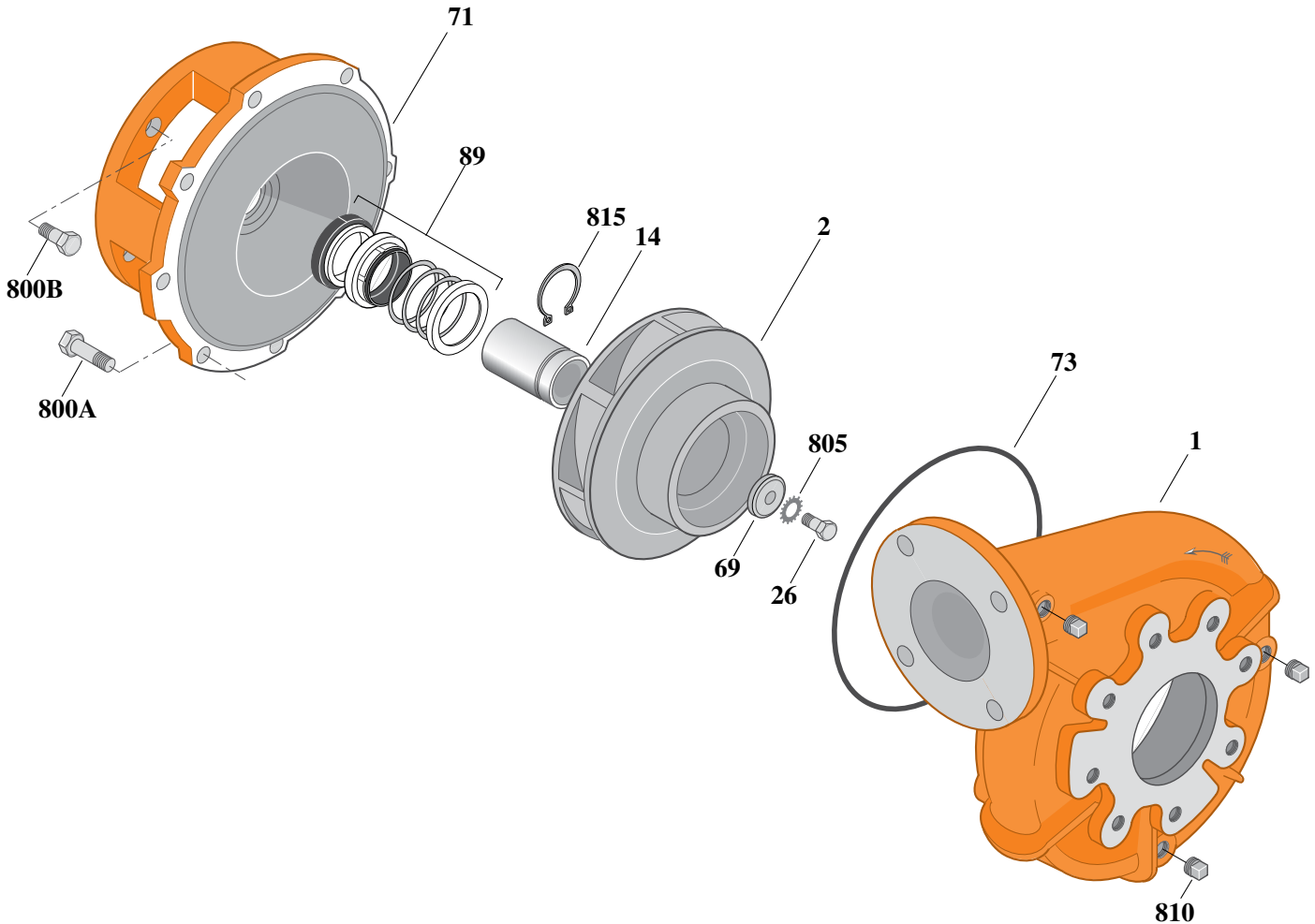
Type "B" Single Stage Centrifugal Pump Electric Motor Drive

| | |
|-------------------|--------------|
| Section | CC |
| Page | 190.8 |
| Date | July 1, 2011 |
| Supersedes 1/1/04 | |

CAST IRON IMPELLERB3ZPMS

Flanged Case

Mechanical Shaft Seal Construction



| Item | Part Description | Part Number |
|------|----------------------------------|--------------|
| 1 | Case, Volute | H05130 |
| 2 | Impeller | See Table I |
| 14 | Sleeve, Shaft | S18869L |
| 26 | Screw, Impeller 1/2 - 13 x 1" | S23619 |
| 32 | Key, 1/4 x 2-1/4" (See Note 1) | S23677 |
| 69 | Washer, Impeller | S06319 |
| 71 | Bracket | See Table II |
| 73 | O-Ring (See Note 2) | M14943 |
| 89 | Seal, Mechanical Shaft | S32015 |
| 800A | Capscrew, 3/8 - 16 x 1" (8 Req.) | S26826 |
| 800B | Capscrew, 1/2 - 13 x 1" (4 Req.) | S26912 |
| 805 | Washer, Lock | S23038 |
| 810 | Plug, Pipe 1/4 NPT (3 Req.) | S23715 |
| 815 | Ring, Retaining | S16767 |

Table I

| B/M No. | HP | PH | RPM | "U" Dim. | Imp. Dia. | Imp. No. |
|---------|----|----|------|----------|-----------|----------|
| B70249 | 15 | 3 | 1800 | 1-1/4" | 9.00" | M02911 |

Table II

| HP | PH | Bracket No. | "AK" Fit | "U" Dim. | Motor Frame |
|----|----|-------------|----------|----------|-------------|
| 15 | 3 | L04615 | 8-1/2" | 1-1/4" | 254JM |

NOTE 1: For an explanation of the tabulated material found on this page and for impeller key location, refer to *Supplement A* located at the beginning of this section.

NOTE 2: Also accepts gasket S05126 as replacement for o-ring. See *Supplement E* located at the beginning of this section.



Type "B" Single Stage Centrifugal Pump Electric Motor Drive

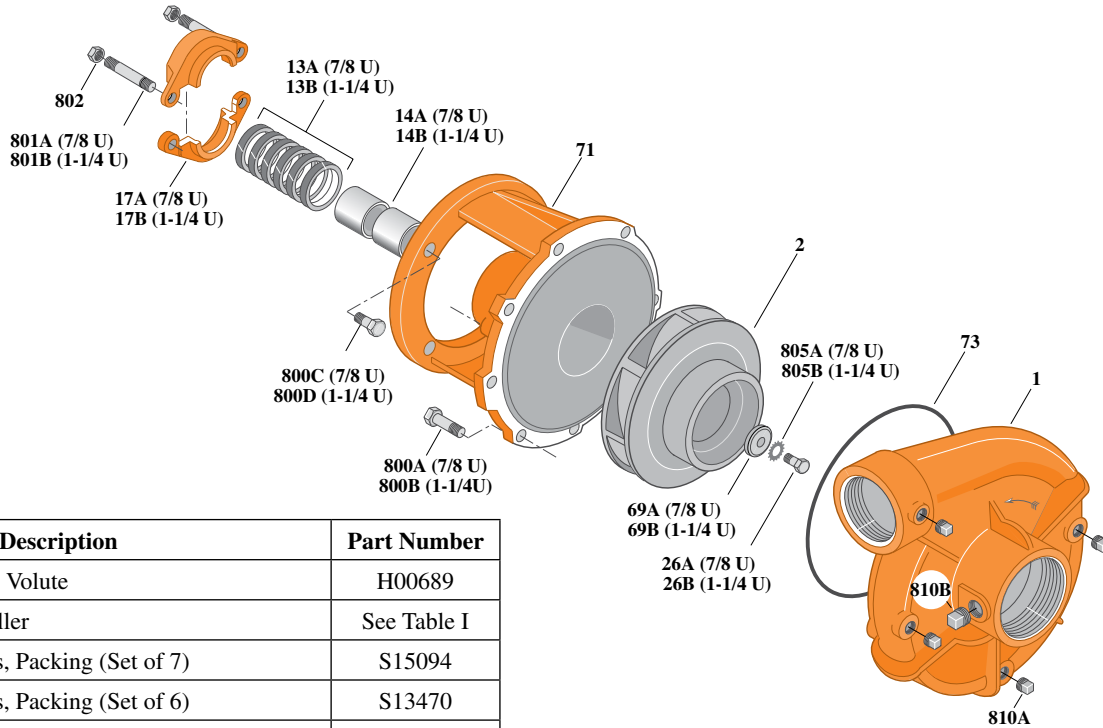
| | |
|-------------------|--------------|
| Section | CC |
| Page | 190.9 |
| Date | July 1, 2011 |
| Supersedes 1/1/04 | |

BRONZE IMPELLER

B3ZPM

Threaded Case (NPT)

Packing Construction



| Item | Part Description | Part Number |
|------|--------------------------------------|--------------|
| 1 | Case, Volute | H00689 |
| 2 | Impeller | See Table I |
| 13A | Rings, Packing (Set of 7) | S15094 |
| 13B | Rings, Packing (Set of 6) | S13470 |
| 14A | Sleeve, Shaft (2 Req.) | S00619L |
| 14B | Sleeve, Shaft | S05149L |
| 17A | Gland, Packing | B82469 |
| 17B | Gland, Packing | B82470 |
| 26A | Screw, Impeller 3/8 - 16 x 1" | S23566 |
| 26B | Screw, Impeller 1/2 - 13 x 1" | S23619 |
| 32A | Key, 3/16 x 1-1/4" (See Note 1) | S34383 |
| 32B | Key, 1/4 x 2-1/4" (See Note 1) | S23677 |
| 69A | Washer, Impeller | S06314 |
| 69B | Washer, Impeller | S06319 |
| 71 | Bracket | See Table II |
| 73 | O-Ring (See Note 2) | M14943 |
| 800A | Capscrew, 3/8 - 16 x 1" (12 Req.) | S26826 |
| 800B | Capscrew, 3/8 - 16 x 1-1/8" (8 Req.) | S26827 |
| 800C | Capscrew, 1/2 - 13 x 1-1/2" (4 Req.) | S26916 |
| 801A | Stud, 3/8 - 16 x 3" (2 Req.) | S04439 |
| 801B | Stud, 3/8 - 16 x 4" (2 Req.) | S08303 |
| 802 | Nut, Hex 3/8 - 16 (2 Req.) | S23343 |
| 805A | Washer, Lock | S23036 |
| 805B | Washer, Lock | S23038 |
| 810A | Plug, Pipe 1/4 NPT (4 Req.) | S23715 |
| 810B | Plug, Pipe 1/2 NPT | S23717 |

Table I

| B/M No. | HP | PH | RPM | "U" Dim. | Imp. Dia. | Imp. No. |
|---------|----|----|------|----------|-----------|----------|
| B66568 | 3 | 1 | 1800 | 7/8" | 6.06" | L06697 |
| B66569 | 3 | 3 | 1800 | 7/8" | 6.06" | L06697 |
| B66580 | 5 | 1 | 1800 | 1-1/4" | 7.00" | L06692 |
| B66581 | 5 | 3 | 1800 | 7/8" | 7.00" | L06696 |

Table II

| HP | PH | Bracket No. | "AK" Fit | "U" Dim. | Motor Frame |
|----|----|-------------|----------|----------|-------------|
| 3 | 1 | H00950 | 4-1/2" | 7/8" | 184JP |
| 3 | 3 | H00950 | 4-1/2" | 7/8" | 182JP |
| 5 | 1 | L03827 | 8-1/2" | 1-1/4" | 213JP |
| 5 | 3 | H00950 | 4-1/2" | 7/8" | 184JP |

NOTE 1: For an explanation of the tabulated material found on this page and for impeller key location, refer to *Supplement A* located at the beginning of this section.

NOTE 2: Also accepts gasket S05126 as replacement for o-ring. See *Supplement E* located at the beginning of this section.



Type "B" Single Stage Centrifugal Pump Electric Motor Drive

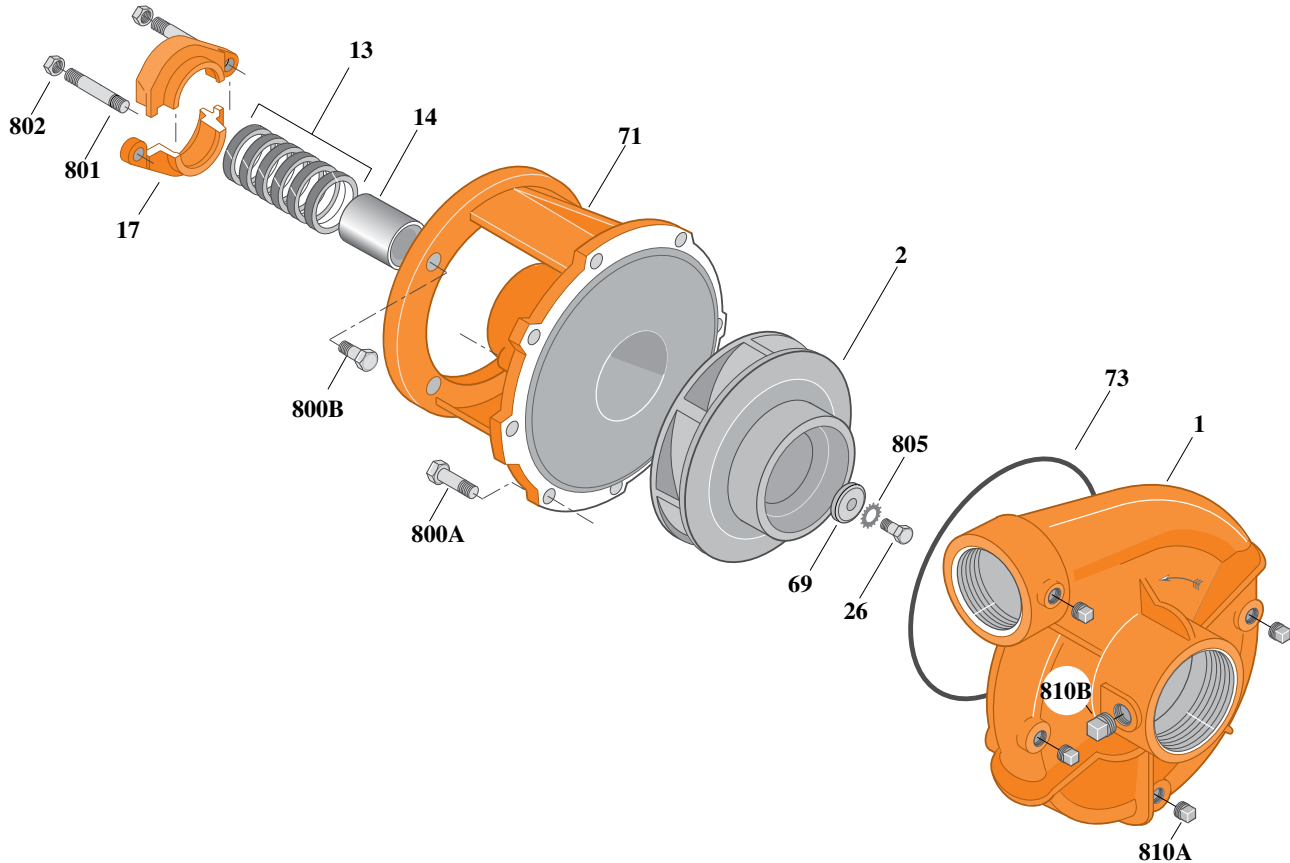
| | |
|-------------------|--------------|
| Section | CC |
| Page | 190.10 |
| Date | July 1, 2011 |
| Supersedes 1/1/04 | |

BRONZE IMPELLER

B3ZPM

Threaded Case (NPT)

Packing Construction



| Item | Part Description | Part Number |
|------|--------------------------------------|--------------|
| 1 | Case, Volute | H00689 |
| 2 | Impeller | See Table I |
| 13 | Rings, Packing (Set of 6) | S13470 |
| 14 | Sleeve, Shaft | S05149L |
| 17 | Gland, Packing | B82470 |
| 26 | Screw, Impeller 1/2 - 13 x 1" | S23619 |
| 32 | Key, 1/4 x 2-1/4" (See Note 1) | S23677 |
| 69 | Washer, Impeller | S06319 |
| 71 | Bracket | See Table II |
| 73 | O-Ring (See Note 2) | M14943 |
| 800A | Capscrew, 3/8 - 16 x 1-1/8" (8 Req.) | S26827 |
| 800B | Capscrew, 1/2 - 13 x 1-1/2" (4 Req.) | S26916 |
| 801 | Stud, 3/8 - 16 x 4" (2 Req.) | S08303 |
| 802 | Nut, Hex 3/8 - 16 (2 Req.) | S23343 |
| 805 | Washer, Lock | S23038 |
| 810A | Plug, Pipe 1/4 NPT (4 Req.) | S23715 |
| 810B | Plug, Pipe 1/2 NPT | S23717 |

Table I

| B/M No. | HP | PH | RPM | "U" Dim. | Imp. Dia. | Imp. No. |
|---------|-----|----|------|----------|-----------|----------|
| B66590 | 7.5 | 1 | 1800 | 1-1/4" | 7.88" | L06694 |
| B66591 | 7.5 | 3 | 1800 | 1-1/4" | 7.88" | L06694 |
| B66600 | 10 | 1 | 1800 | 1-1/4" | 8.44" | L06693 |
| B66601 | 10 | 3 | 1800 | 1-1/4" | 8.44" | L06693 |
| B66608 | 15 | 3 | 1800 | 1-1/4" | 9.00" | L06691 |

Table II

| HP | PH | Bracket No. | "AK" Fit | "U" Dim. | Motor Frame |
|-----|----|-------------|----------|----------|-------------|
| 7.5 | 1 | L03827 | 8-1/2" | 1-1/4" | 215JP |
| 7.5 | 3 | L03827 | 8-1/2" | 1-1/4" | 213JP |
| 10 | 1 | L03827 | 8-1/2" | 1-1/4" | 215JP |
| 10 | 3 | L03827 | 8-1/2" | 1-1/4" | 215JP |
| 15 | 3 | L03827 | 8-1/2" | 1-1/4" | 254JP |

NOTE 1: For an explanation of the tabulated material found on this page and for impeller key location, refer to *Supplement A* located at the beginning of this section.

NOTE 2: Also accepts gasket S05126 as replacement for o-ring. See *Supplement E* located at the beginning of this section.



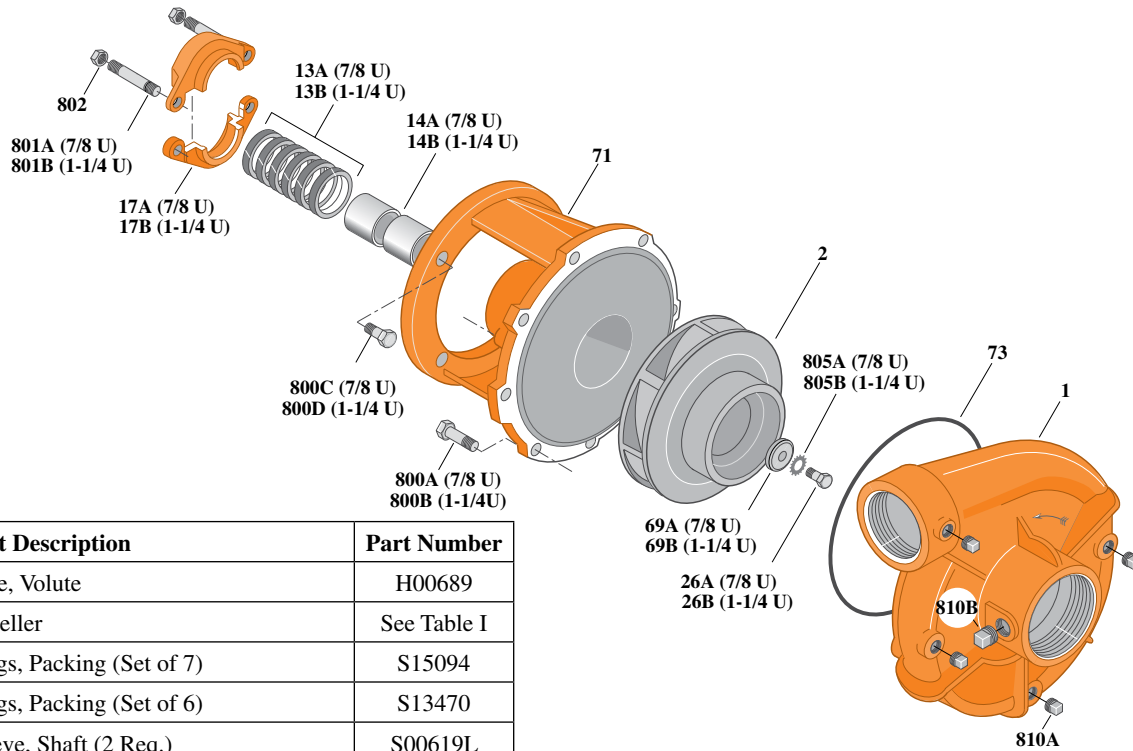
Type "B" Single Stage Centrifugal Pump Electric Motor Drive

| | |
|-------------------|--------------|
| Section | CC |
| Page | 190.10.1 |
| Date | July 1, 2011 |
| Supersedes 1/1/04 | |

SILICON BRONZE IMPELLERB3ZPM

Threaded Case (NPT)

Packing Construction



| Item | Part Description | Part Number |
|------|--------------------------------------|--------------|
| 1 | Case, Volute | H00689 |
| 2 | Impeller | See Table I |
| 13A | Rings, Packing (Set of 7) | S15094 |
| 13B | Rings, Packing (Set of 6) | S13470 |
| 14A | Sleeve, Shaft (2 Req.) | S00619L |
| 14B | Sleeve, Shaft | S05149L |
| 17A | Gland, Packing | B82469 |
| 17B | Gland, Packing | B82470 |
| 26A | Screw, Impeller 3/8 - 16 x 1" | S23566 |
| 26B | Screw, Impeller 1/2 - 13 x 1" | S23619 |
| 32A | Key, 3/16 x 1-1/4" (See Note 1) | S34383 |
| 32B | Key, 1/4 x 2-1/4" (See Note 1) | S23677 |
| 69A | Washer, Impeller | S06314 |
| 69B | Washer, Impeller | S06319 |
| 71 | Bracket | See Table II |
| 73 | O-Ring (See Note 2) | M14943 |
| 800A | Capscrew, 3/8 - 16 x 1" (12 Req.) | S26826 |
| 800B | Capscrew, 3/8 - 16 x 1-1/8" (8 Req.) | S26827 |
| 800C | Capscrew, 1/2 - 13 x 1-1/2" (4 Req.) | S26916 |
| 801A | Stud, 3/8 - 16 x 3" (2 Req.) | S04439 |
| 801B | Stud, 3/8 - 16 x 4" (2 Req.) | S08303 |
| 802 | Nut, Hex 3/8 - 16 (2 Req.) | S23343 |
| 805A | Washer, Lock | S23036 |
| 805B | Washer, Lock | S23038 |
| 810A | Plug, Pipe 1/4 NPT (4 Req.) | S23715 |
| 810B | Plug, Pipe 1/2 NPT | S23717 |

Table I

| B/M No. | HP | PH | RPM | "U" Dim. | Imp. Dia. | Imp. No. |
|---------|----|----|------|----------|-----------|----------|
| B66568S | 3 | 1 | 1800 | 7/8" | 6.06" | H05480 |
| B66569S | 3 | 3 | 1800 | 7/8" | 6.06" | H05480 |
| B66580S | 5 | 1 | 1800 | 1-1/4" | 7.00" | H05478 |
| B66581S | 5 | 3 | 1800 | 7/8" | 7.00" | H05481 |

Table II

| HP | PH | Bracket No. | "AK" Fit | "U" Dim. | Motor Frame |
|----|----|-------------|----------|----------|-------------|
| 3 | 1 | H00950 | 4-1/2" | 7/8" | 184JP |
| 3 | 3 | H00950 | 4-1/2" | 7/8" | 182JP |
| 5 | 1 | L03827 | 8-1/2" | 1-1/4" | 213JP |
| 5 | 3 | H00950 | 4-1/2" | 7/8" | 184JP |

NOTE 1: For an explanation of the tabulated material found on this page and for impeller key location, refer to *Supplement A* located at the beginning of this section.

NOTE 2: Also accepts gasket S05126 as replacement for o-ring. See *Supplement E* located at the beginning of this section.



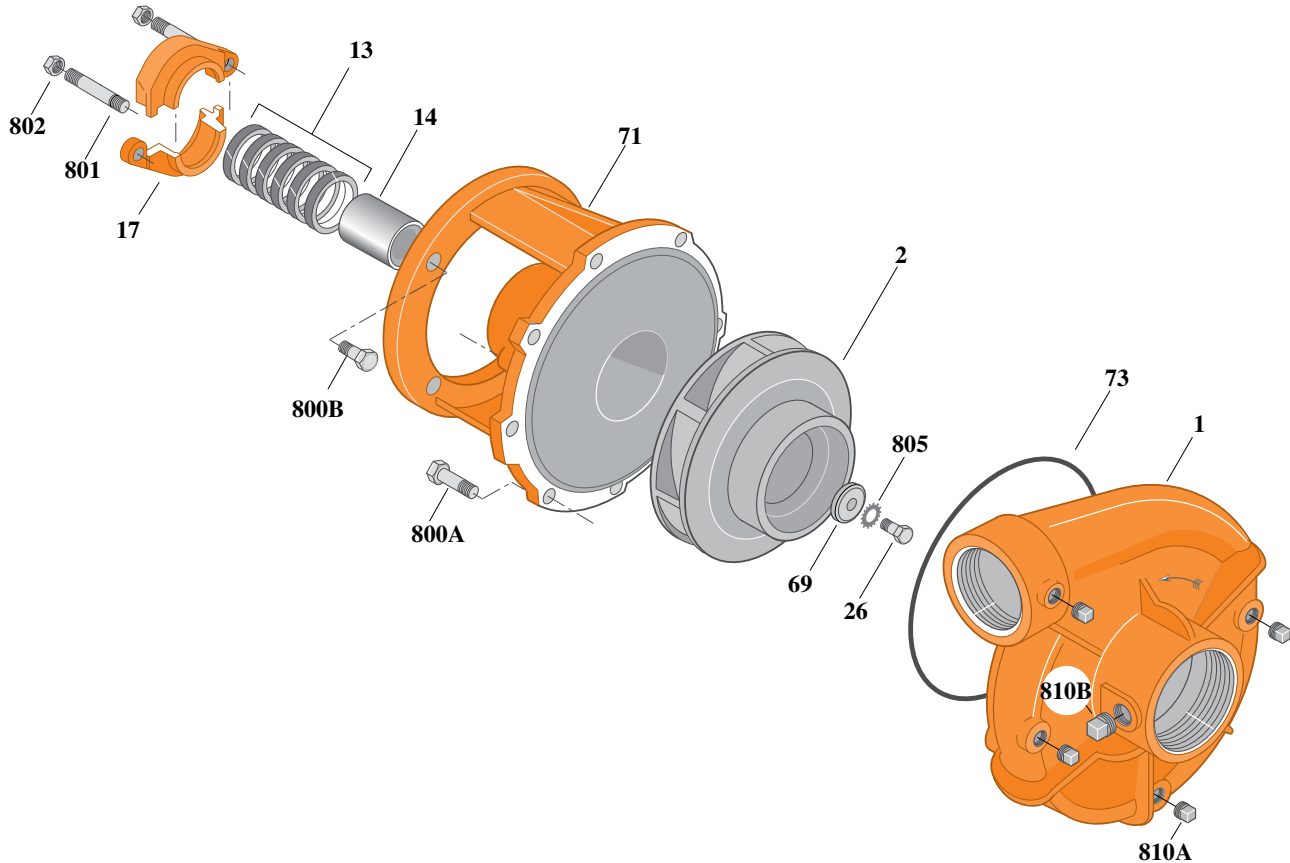
Type "B" Single Stage Centrifugal Pump Electric Motor Drive

| | |
|-------------------|--------------|
| Section | CC |
| Page | 190.10.2 |
| Date | July 1, 2011 |
| Supersedes 1/1/04 | |

SILICON BRONZE IMPELLERB3ZPM

Threaded Case (NPT)

Packing Construction



| Item | Part Description | Part Number |
|------|--------------------------------------|--------------|
| 1 | Case, Volute | H00689 |
| 2 | Impeller | See Table I |
| 13 | Rings, Packing (Set of 6) | S13470 |
| 14 | Sleeve, Shaft | S05149L |
| 17 | Gland, Packing | B82470 |
| 26 | Screw, Impeller 1/2 - 13 x 1" | S23619 |
| 32 | Key, 1/4 x 2-1/4" (See Note 1) | S23677 |
| 69 | Washer, Impeller | S06319 |
| 71 | Bracket | See Table II |
| 73 | O-Ring (See Note 2) | M14943 |
| 800A | Capscrew, 3/8 - 16 x 1-1/8" (8 Req.) | S26827 |
| 800B | Capscrew, 1/2 - 13 x 1-1/2" (4 Req.) | S26916 |
| 801 | Stud, 3/8 - 16 x 4" (2 Req.) | S08303 |
| 802 | Nut, Hex 3/8 - 16 (2 Req.) | S23343 |
| 805 | Washer, Lock | S23038 |
| 810A | Plug, Pipe 1/4 NPT (4 Req.) | S23715 |
| 810B | Plug, Pipe 1/2 NPT | S23717 |

Table I

| B/M No. | HP | PH | RPM | "U" Dim. | Imp. Dia. | Imp. No. |
|---------|-----|----|------|----------|-----------|----------|
| B66590S | 7.5 | 1 | 1800 | 1-1/4" | 7.88" | H05477 |
| B66591S | 7.5 | 3 | 1800 | 1-1/4" | 7.88" | H05477 |
| B66600S | 10 | 1 | 1800 | 1-1/4" | 8.44" | H05476 |
| B66601S | 10 | 3 | 1800 | 1-1/4" | 8.44" | H05476 |
| B66608S | 15 | 3 | 1800 | 1-1/4" | 9.00" | H05479 |

Table II

| HP | PH | Bracket No. | "AK" Fit | "U" Dim. | Motor Frame |
|-----|----|-------------|----------|----------|-------------|
| 7.5 | 1 | L03827 | 8-1/2" | 1-1/4" | 215JP |
| 7.5 | 3 | L03827 | 8-1/2" | 1-1/4" | 213JP |
| 10 | 1 | L03827 | 8-1/2" | 1-1/4" | 215JP |
| 10 | 3 | L03827 | 8-1/2" | 1-1/4" | 215JP |
| 15 | 3 | L03827 | 8-1/2" | 1-1/4" | 254JP |

NOTE 1: For an explanation of the tabulated material found on this page and for impeller key location, refer to *Supplement A* located at the beginning of this section.

NOTE 2: Also accepts gasket S05126 as replacement for o-ring. See *Supplement E* located at the beginning of this section.



Type "B" Single Stage Centrifugal Pump Electric Motor Drive

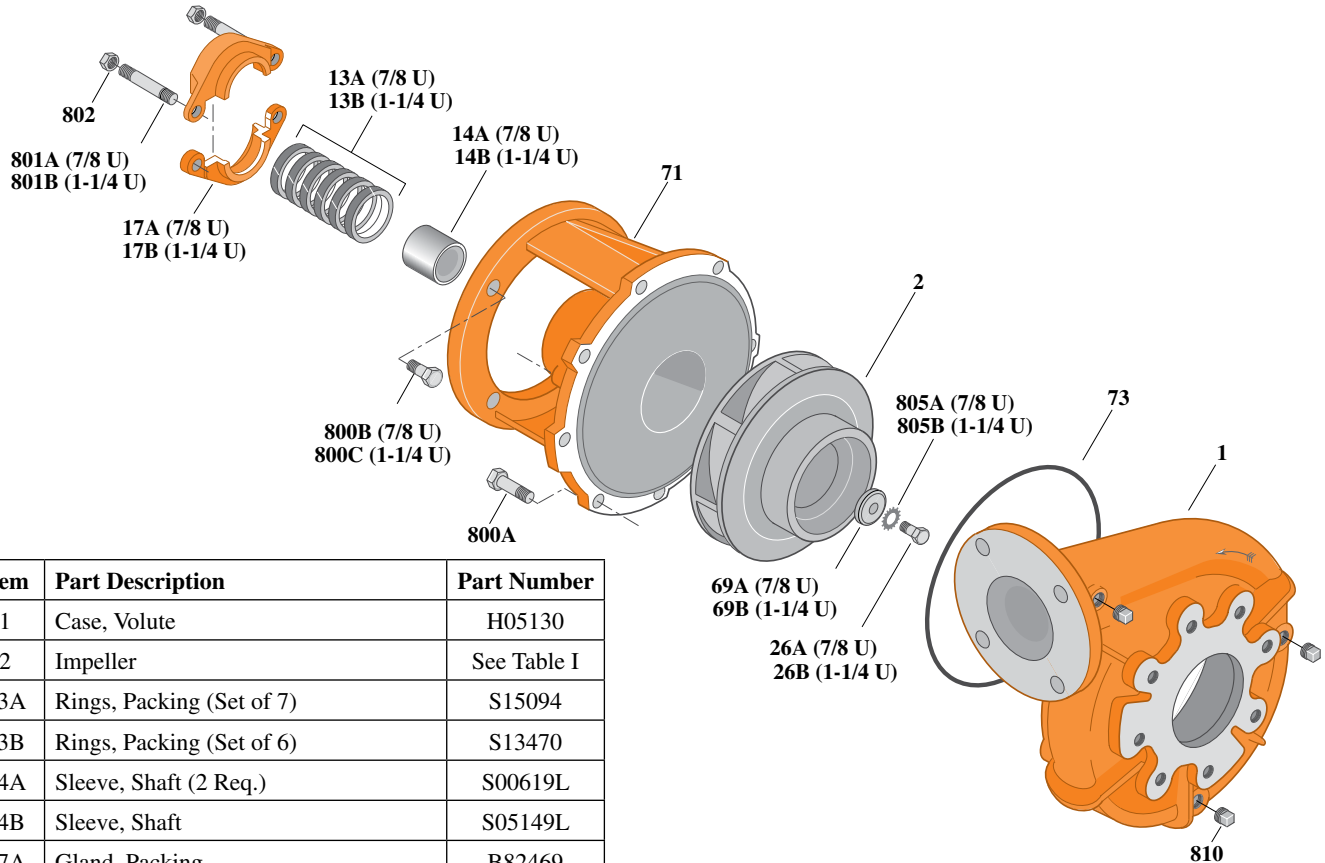
| | |
|-------------------|--------------|
| Section | CC |
| Page | 190.11 |
| Date | July 1, 2011 |
| Supersedes 1/1/04 | |

BRONZE IMPELLER

B3ZPM

Flanged Case

Packing Construction



| Item | Part Description | Part Number |
|------|--------------------------------------|--------------|
| 1 | Case, Volute | H05130 |
| 2 | Impeller | See Table I |
| 13A | Rings, Packing (Set of 7) | S15094 |
| 13B | Rings, Packing (Set of 6) | S13470 |
| 14A | Sleeve, Shaft (2 Req.) | S00619L |
| 14B | Sleeve, Shaft | S05149L |
| 17A | Gland, Packing | B82469 |
| 17B | Gland, Packing | B82470 |
| 26A | Screw, Impeller 3/8 - 16 x 1" | S23566 |
| 26B | Screw, Impeller 1/2 - 13 x 1" | S23619 |
| 32A | Key, 3/16 x 1-1/4" (See Note 1) | S34383 |
| 32B | Key, 1/4 x 2-1/4" (See Note 1) | S23677 |
| 69A | Washer, Impeller | S06314 |
| 69B | Washer, Impeller | S06319 |
| 71 | Bracket | See Table II |
| 73 | O-Ring (See Note 2) | M14943 |
| 800A | Capscrew, 3/8 - 16 x 1" (12 Req.) | S26826 |
| 800B | Capscrew, 3/8 - 16 x 1" (8 Req.) | S26827 |
| 800C | Capscrew, 1/2 - 13 x 1-1/2" (4 Req.) | S26916 |
| 801A | Stud, 3/8 - 16 x 3" (2 Req.) | S04439 |
| 801B | Stud, 3/8 - 16 x 4" (2 Req.) | S08303 |
| 802 | Nut, Hex 3/8 - 16 (2 Req.) | S23343 |
| 805A | Washer, Lock | S23036 |
| 805B | Washer, Lock | S23038 |
| 810 | Plug, Pipe 1/4 NPT (3 Req.) | S23715 |

Table I

| B/M No. | HP | PH | RPM | "U" Dim. | Imp. Dia. | Imp. No. |
|---------|----|----|------|----------|-----------|----------|
| B71930 | 3 | 1 | 1800 | 7/8" | 6.06" | L06697 |
| B71931 | 3 | 3 | 1800 | 7/8" | 6.06" | L06697 |
| B71932 | 5 | 1 | 1800 | 1-1/4" | 7.00" | L06692 |
| B71933 | 5 | 3 | 1800 | 7/8" | 7.00" | L06696 |

Table II

| HP | PH | Bracket No. | "AK" Fit | "U" Dim. | Motor Frame |
|----|----|-------------|----------|----------|-------------|
| 3 | 1 | H00950 | 4-1/2" | 7/8" | 184JP |
| 3 | 3 | H00950 | 4-1/2" | 7/8" | 182JP |
| 5 | 1 | L03827 | 8-1/2" | 1-1/4" | 213JP |
| 5 | 3 | H00950 | 4-1/2" | 7/8" | 184JP |

NOTE 1: For an explanation of the tabulated material found on this page and for impeller key location, refer to *Supplement A* located at the beginning of this section.

NOTE 2: Also accepts gasket S05126 as replacement for o-ring. See *Supplement E* located at the beginning of this section.



Type "B" Single Stage Centrifugal Pump Electric Motor Drive

| | |
|-------------------|--------------|
| Section | CC |
| Page | 190.12 |
| Date | July 1, 2011 |
| Supersedes 1/1/04 | |

BRONZE IMPELLERB3ZPM

Flanged Case

Packing Construction

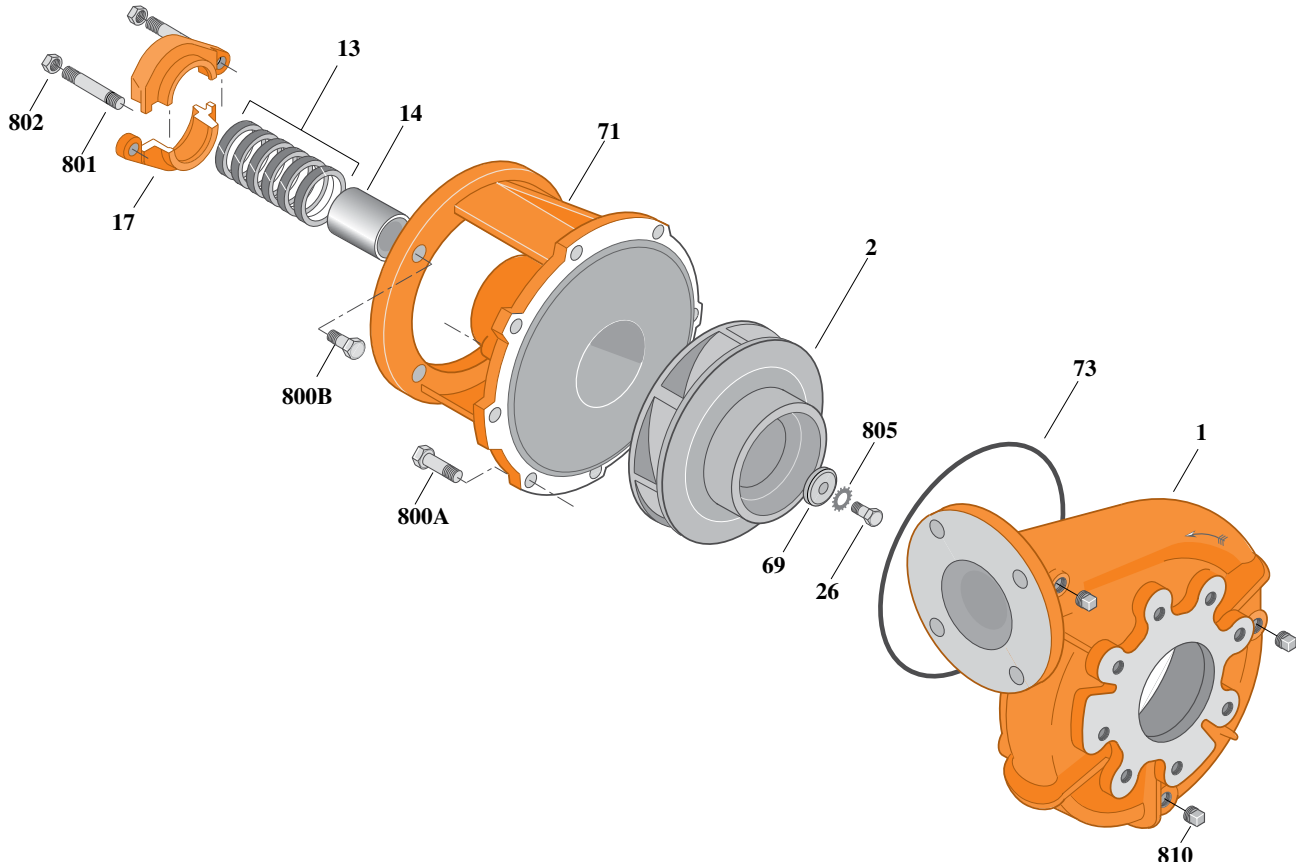


Table I

| Item | Part Description | Part Number |
|------|--------------------------------------|--------------|
| 1 | Case, Volute | H05130 |
| 2 | Impeller | See Table I |
| 13 | Rings, Packing (Set of 6) | S13470 |
| 14 | Sleeve, Shaft | S05149L |
| 17 | Gland, Packing | B82470 |
| 26 | Screw, Impeller 1/2 - 13 x 1" | S23619 |
| 32 | Key, 1/4 x 2-1/4" (See Note 1) | S23677 |
| 69 | Washer, Impeller | S06319 |
| 71 | Bracket | See Table II |
| 73 | O-Ring (See Note 2) | M14943 |
| 800A | Capscrew, 3/8 - 16 x 1" (8 Req.) | S26826 |
| 800B | Capscrew, 1/2 - 13 x 1-1/2" (4 Req.) | S26916 |
| 801 | Stud, 3/8 - 16 x 4" (2 Req.) | S08303 |
| 802 | Nut, Hex 3/8 - 16 (2 Req.) | S23343 |
| 805 | Washer, Lock | S23038 |
| 810 | Plug, Pipe 1/4 NPT (3 Req.) | S23715 |

| B/M No. | HP | PH | RPM | "U" Dim. | Imp. Dia. | Imp. No. |
|---------|-----|----|------|----------|-----------|----------|
| B71934 | 7.5 | 1 | 1800 | 1-1/4" | 7.88" | L06694 |
| B71935 | 7.5 | 3 | 1800 | 1-1/4" | 7.88" | L06694 |
| B71936 | 10 | 1 | 1800 | 1-1/4" | 8.44" | L06693 |
| B71937 | 10 | 3 | 1800 | 1-1/4" | 8.44" | L06693 |
| B71939 | 15 | 3 | 1800 | 1-1/4" | 9.00" | L06691 |

Table II

| HP | PH | Bracket No. | "AK" Fit | "U" Dim. | Motor Frame |
|-----|----|-------------|----------|----------|-------------|
| 7.5 | 1 | L03827 | 8-1/2" | 1-1/4" | 215JP |
| 7.5 | 3 | L03827 | 8-1/2" | 1-1/4" | 213JP |
| 10 | 1 | L03827 | 8-1/2" | 1-1/4" | 215JP |
| 10 | 3 | L03827 | 8-1/2" | 1-1/4" | 215JP |
| 15 | 3 | L03827 | 8-1/2" | 1-1/4" | 254JP |

NOTE 1: For an explanation of the tabulated material found on this page and for impeller key location, refer to **Supplement A** located at the beginning of this section.

NOTE 2: Also accepts gasket S05126 as replacement for o-ring. See **Supplement E** located at the beginning of this section.



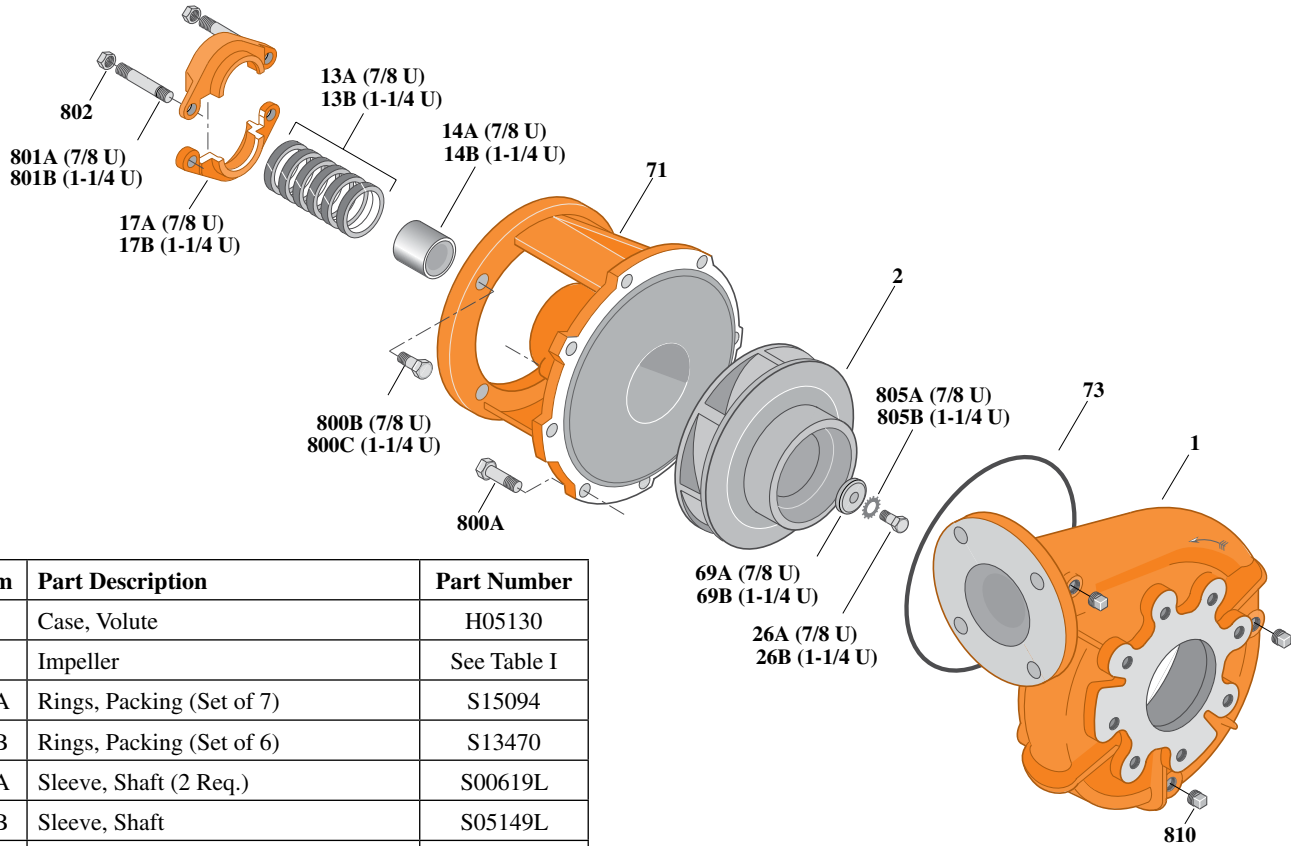
Type "B" Single Stage Centrifugal Pump Electric Motor Drive

| | |
|-------------------|--------------|
| Section | CC |
| Page | 190.12.1 |
| Date | July 1, 2011 |
| Supersedes 1/1/04 | |

SILICON BRONZE IMPELLERB3ZPM

Flanged Case

Packing Construction



| Item | Part Description | Part Number |
|------|--------------------------------------|--------------|
| 1 | Case, Volute | H05130 |
| 2 | Impeller | See Table I |
| 13A | Rings, Packing (Set of 7) | S15094 |
| 13B | Rings, Packing (Set of 6) | S13470 |
| 14A | Sleeve, Shaft (2 Req.) | S00619L |
| 14B | Sleeve, Shaft | S05149L |
| 17A | Gland, Packing | B82469 |
| 17B | Gland, Packing | B82470 |
| 26A | Screw, Impeller 3/8 - 16 x 1" | S23566 |
| 26B | Screw, Impeller 1/2 - 13 x 1" | S23619 |
| 32A | Key, 3/16 x 1-1/4" (See Note 1) | S34383 |
| 32B | Key, 1/4 x 2-1/4" (See Note 1) | S23677 |
| 69A | Washer, Impeller | S06314 |
| 69B | Washer, Impeller | S06319 |
| 71 | Bracket | See Table II |
| 73 | O-Ring (See Note 2) | M14943 |
| 800A | Capscrew, 3/8 - 16 x 1" (12 Req.) | S26826 |
| 800B | Capscrew, 3/8 - 16 x 1" (8 Req.) | S26827 |
| 800C | Capscrew, 1/2 - 13 x 1-1/2" (4 Req.) | S26916 |
| 801A | Stud, 3/8 - 16 x 3" (2 Req.) | S04439 |
| 801B | Stud, 3/8 - 16 x 4" (2 Req.) | S08303 |
| 802 | Nut, Hex 3/8 - 16 (2 Req.) | S23343 |
| 805A | Washer, Lock | S23036 |
| 805B | Washer, Lock | S23038 |
| 810 | Plug, Pipe 1/4 NPT (3 Req.) | S23715 |

Table I

| B/M No. | HP | PH | RPM | "U" Dim. | Imp. Dia. | Imp. No. |
|---------|----|----|------|----------|-----------|----------|
| B71930S | 3 | 1 | 1800 | 7/8" | 6.06" | H05480 |
| B71931S | 3 | 3 | 1800 | 7/8" | 6.06" | H05480 |
| B71932S | 5 | 1 | 1800 | 1-1/4" | 7.00" | H05478 |
| B71933S | 5 | 3 | 1800 | 7/8" | 7.00" | H05481 |

Table II

| HP | PH | Bracket No. | "AK" Fit | "U" Dim. | Motor Frame |
|----|----|-------------|----------|----------|-------------|
| 3 | 1 | H00950 | 4-1/2" | 7/8" | 184JP |
| 3 | 3 | H00950 | 4-1/2" | 7/8" | 182JP |
| 5 | 1 | L03827 | 8-1/2" | 1-1/4" | 213JP |
| 5 | 3 | H00950 | 4-1/2" | 7/8" | 184JP |

NOTE 1: For an explanation of the tabulated material found on this page and for impeller key location, refer to *Supplement A* located at the beginning of this section.

NOTE 2: Also accepts gasket S05126 as replacement for o-ring. See *Supplement E* located at the beginning of this section.



Type "B" Single Stage Centrifugal Pump Electric Motor Drive

| | |
|-------------------|--------------|
| Section | CC |
| Page | 190.12.2 |
| Date | July 1, 2011 |
| Supersedes 1/1/04 | |

SILICON BRONZE IMPELLER B3ZPM

Flanged Case

Packing Construction

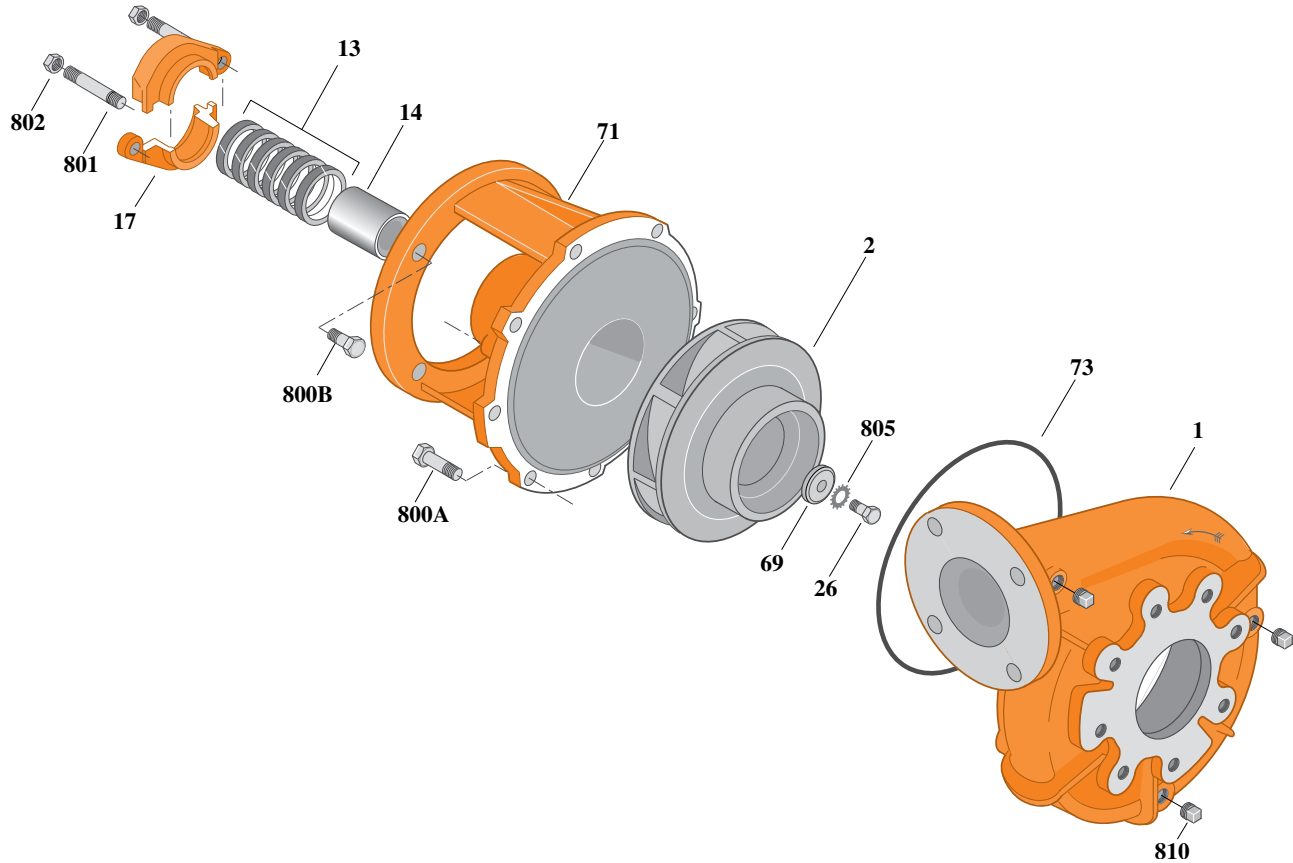


Table I

| Item | Part Description | Part Number |
|------|--------------------------------------|--------------|
| 1 | Case, Volute | H05130 |
| 2 | Impeller | See Table I |
| 13 | Rings, Packing (Set of 6) | S13470 |
| 14 | Sleeve, Shaft | S05149L |
| 17 | Gland, Packing | B82470 |
| 26 | Screw, Impeller 1/2 - 13 x 1" | S23619 |
| 32 | Key, 1/4 x 2-1/4" (See Note 1) | S23677 |
| 69 | Washer, Impeller | S06319 |
| 71 | Bracket | See Table II |
| 73 | O-Ring (See Note 2) | M14943 |
| 800A | Capscrew, 3/8 - 16 x 1" (8 Req.) | S26826 |
| 800B | Capscrew, 1/2 - 13 x 1-1/2" (4 Req.) | S26916 |
| 801 | Stud, 3/8 - 16 x 4" (2 Req.) | S08303 |
| 802 | Nut, Hex 3/8 - 16 (2 Req.) | S23343 |
| 805 | Washer, Lock | S23038 |
| 810 | Plug, Pipe 1/4 NPT (3 Req.) | S23715 |

| B/M No. | HP | PH | RPM | "U" Dim. | Imp. Dia. | Imp. No. |
|---------|-----|----|------|----------|-----------|----------|
| B71934S | 7.5 | 1 | 1800 | 1-1/4" | 7.88" | H05477 |
| B71935S | 7.5 | 3 | 1800 | 1-1/4" | 7.88" | H05477 |
| B71936S | 10 | 1 | 1800 | 1-1/4" | 8.44" | H05476 |
| B71937S | 10 | 3 | 1800 | 1-1/4" | 8.44" | H05476 |
| B71939S | 15 | 3 | 1800 | 1-1/4" | 9.00" | H05479 |

Table II

| HP | PH | Bracket No. | "AK" Fit | "U" Dim. | Motor Frame |
|-----|----|-------------|----------|----------|-------------|
| 7.5 | 1 | L03827 | 8-1/2" | 1-1/4" | 215JP |
| 7.5 | 3 | L03827 | 8-1/2" | 1-1/4" | 213JP |
| 10 | 1 | L03827 | 8-1/2" | 1-1/4" | 215JP |
| 10 | 3 | L03827 | 8-1/2" | 1-1/4" | 215JP |
| 15 | 3 | L03827 | 8-1/2" | 1-1/4" | 254JP |

NOTE 1: For an explanation of the tabulated material found on this page and for impeller key location, refer to **Supplement A** located at the beginning of this section.

NOTE 2: Also accepts gasket S05126 as replacement for o-ring. See **Supplement E** located at the beginning of this section.



Type "B" Single Stage Centrifugal Pump Electric Motor Drive

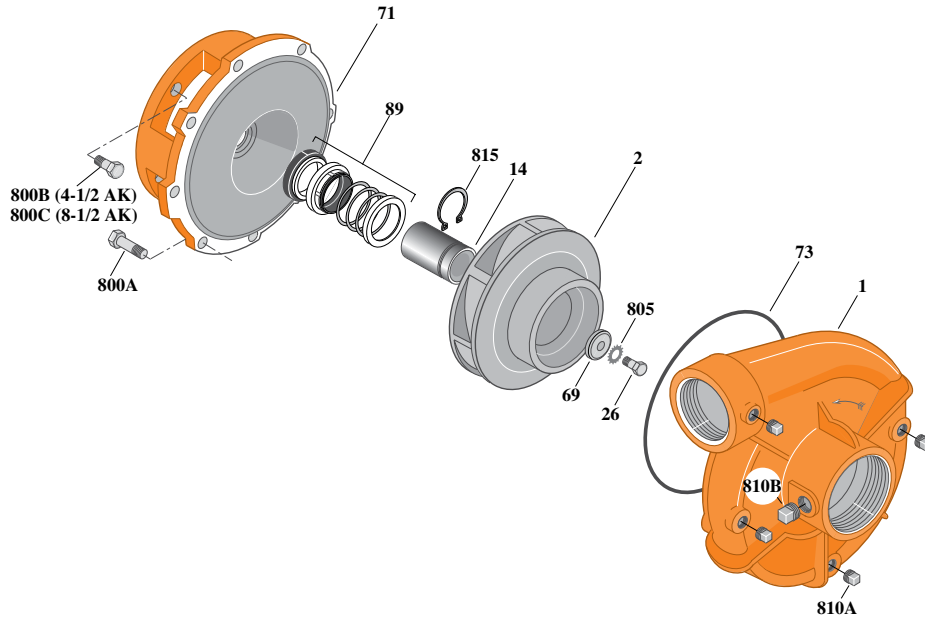
| | |
|-------------------|--------------|
| Section | CC |
| Page | 190.13 |
| Date | July 1, 2011 |
| Supersedes 1/1/04 | |

BRONZE IMPELLER

B3ZPMS

Threaded Case (NPT)

Mechanical Shaft Seal Construction



| Item | Part Description | Part Number |
|------|---|--------------|
| 1 | Case, Volute | H00689 |
| 2 | Impeller | See Table I |
| 14 | Sleeve, Shaft | S19310L |
| 26 | Screw, Impeller 3/8 - 16 x 1" | S23566 |
| 32 | Key, 3/16 x 1-1/4" (See Note 1) | S34383 |
| 69 | Washer, Impeller | S06314 |
| 71 | Bracket | See Table II |
| 73 | O-Ring (See Note 2) | M14943 |
| 89 | Seal, Mechanical Shaft | S32014 |
| 800A | Capscrew, 3/8 - 16 x 1" (12 Req.) (4-1/2 AK) (Use for Motor and Volute) | S26826 |
| 800A | Capscrew, 3/8 - 16 x 1" (8 Req.) (8-1/2 AK) (Use for Volute Only) | S26826 |
| 800B | Capscrew, 1/2 - 13 x 1" (4 Req.) | S26912 |
| 805 | Washer, Lock | S23036 |
| 810A | Plug, Pipe 1/4 NPT (4 Req.) | S23715 |
| 810B | Plug, Pipe 1/2 NPT | S23717 |
| 815 | Ring, Retaining | S11207 |

Table I

| B/M No. | HP | PH | RPM | "U" Dim. | Imp. Dia. | Imp. No. |
|---------|----|----|-----|----------|-----------|----------|
| B66570 | | | | | | |
| B66571 | | | | | | |
| B66582 | | | | | | |
| B66583 | | | | | | |
| B66592 | | | | | | |
| B66593 | | | | | | |
| B66602 | | | | | | |
| B66603 | | | | | | |

These B/M Numbers
Are No Longer Available.

See Page 190.14.1 for Current Models.

Table II

| HP | PH | Bracket No. | "AK" Fit | "U" Dim. | Motor Frame |
|-----|----|-------------|----------|----------|-------------|
| 3 | 1 | L05332 | 4-1/2" | 7/8" | 184JM |
| 3 | 3 | L05332 | 4-1/2" | 7/8" | 182JM |
| 5 | 1 | L05331 | 8-1/2" | 7/8" | 213JM |
| 5 | 3 | L05332 | 4-1/2" | 7/8" | 184JM |
| 7.5 | 1 | L05331 | 8-1/2" | 7/8" | 215JM |
| 7.5 | 3 | L05331 | 8-1/2" | 7/8" | 213JM |
| 10 | 1 | L05331 | 8-1/2" | 7/8" | 215JM |
| 10 | 3 | L05331 | 8-1/2" | 7/8" | 215JM |

NOTE 1: For an explanation of the tabulated material found on this page and for impeller key location, refer to **Supplement A** located at the beginning of this section.

NOTE 2: Also accepts gasket S05126 as replacement for o-ring. See **Supplement E** located at the beginning of this section.



Type "B" Single Stage Centrifugal Pump Electric Motor Drive

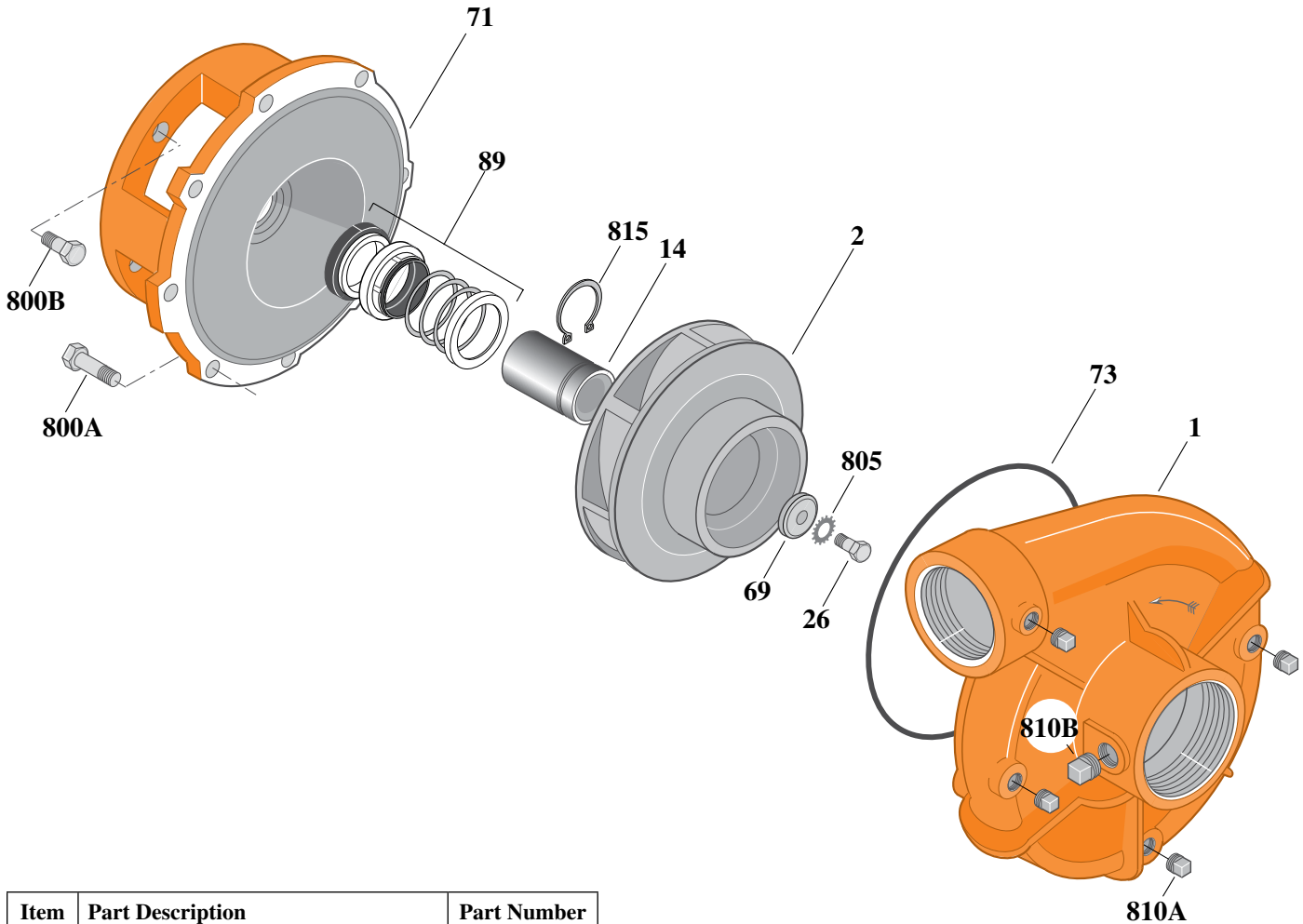
| | |
|-------------------|--------------|
| Section | CC |
| Page | 190.14 |
| Date | July 1, 2011 |
| Supersedes 1/1/04 | |

BRONZE IMPELLER

B3ZPMS

Threaded Case (NPT)

Mechanical Shaft Seal Construction



| Item | Part Description | Part Number |
|------|----------------------------------|--------------|
| 1 | Case, Volute | H00689 |
| 2 | Impeller | See Table I |
| 14 | Sleeve, Shaft | S18869L |
| 26 | Screw, Impeller 1/2 - 13 x 1" | S23619 |
| 32 | Key, 1/4 x 2-1/4" (See Note 1) | S23677 |
| 69 | Washer, Impeller | S06319 |
| 71 | Bracket | See Table II |
| 73 | O-Ring (See Note 2) | M14943 |
| 89 | Seal, Mechanical Shaft | S32015 |
| 800A | Capscrew, 3/8 - 16 x 1" (8 Req.) | S26826 |
| 800B | Capscrew, 1/2 - 13 x 1" (4 Req.) | S26912 |
| 805 | Washer, Lock | S23038 |
| 810A | Plug, Pipe 1/4 NPT (4 Req.) | S23715 |
| 810B | Plug, Pipe 1/2 NPT | S23717 |
| 815 | Ring, Retaining | S16767 |

Table I

| B/M No. | HP | PH | RPM | "U" Dim. | Imp. Dia. | Imp. No. |
|---------|---|----|------|----------|-----------|----------|
| B66609 | No Longer Available. See Below For Current Model. | | | | | |
| B66609S | 15 | 3 | 1800 | 1-1/4" | 9.00" | H05479 |

Table II

| HP | PH | Bracket No. | "AK" Fit | "U" Dim. | Motor Frame |
|----|----|-------------|----------|----------|-------------|
| 15 | 3 | L04615 | 8-1/2" | 1-1/4" | 254JM |

NOTE 1: For an explanation of the tabulated material found on this page and for impeller key location, refer to *Supplement A* located at the beginning of this section.

NOTE 2: Also accepts gasket S05126 as replacement for o-ring. See *Supplement E* located at the beginning of this section.



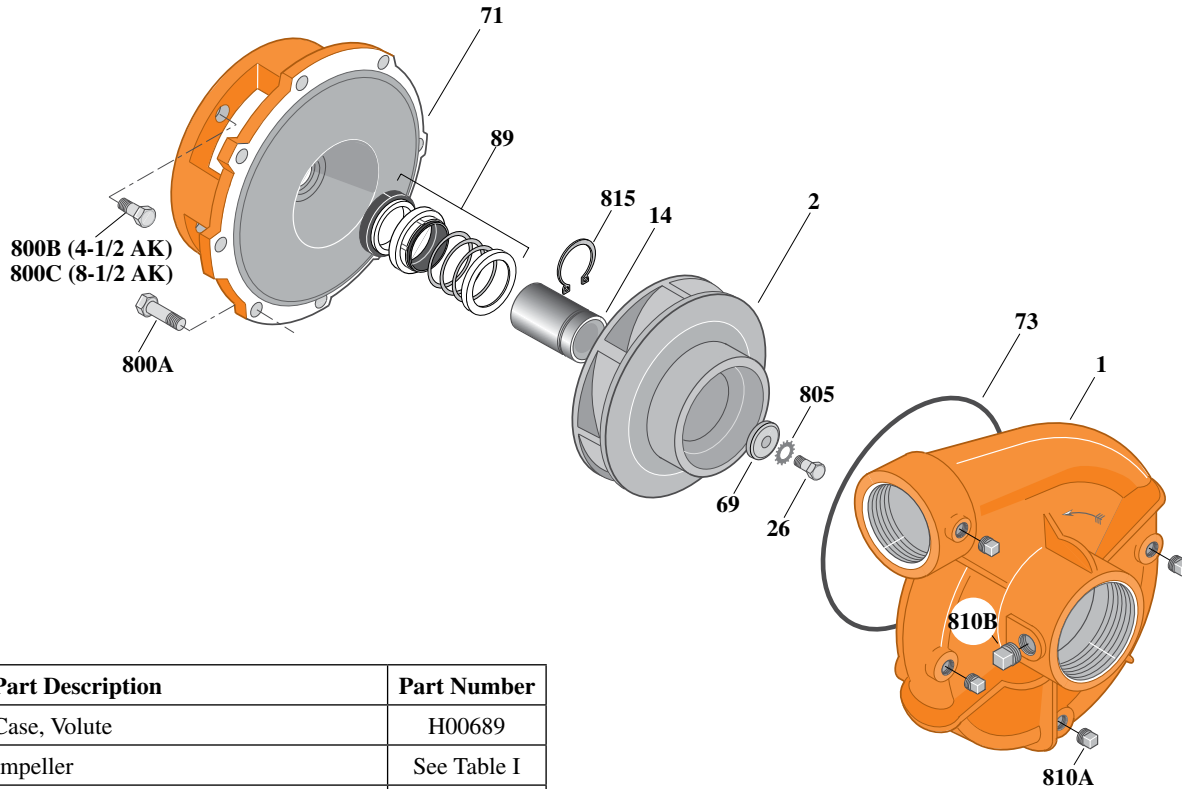
Type "B" Single Stage Centrifugal Pump Electric Motor Drive

| | |
|-------------------|--------------|
| Section | CC |
| Page | 190.14.1 |
| Date | July 1, 2011 |
| Supersedes 1/1/04 | |

SILICON BRONZE IMPELLERB3ZPMS

Threaded Case (NPT)

Mechanical Shaft Seal Construction



| Item | Part Description | Part Number |
|------|---|--------------|
| 1 | Case, Volute | H00689 |
| 2 | Impeller | See Table I |
| 14 | Sleeve, Shaft | S19310L |
| 26 | Screw, Impeller 3/8 - 16 x 1" | S23566 |
| 32 | Key, 3/16 x 1-1/4" (See Note 1) | S34383 |
| 69 | Washer, Impeller | S06314 |
| 71 | Bracket | See Table II |
| 73 | O-Ring (See Note 2) | M14943 |
| 89 | Seal, Mechanical Shaft | S32014 |
| 800A | Capscrew, 3/8 - 16 x 1" (12 Req.) (4-1/2 AK) (Use for Motor and Volute) | S26826 |
| 800A | Capscrew, 3/8 - 16 x 1" (8 Req.) (8-1/2 AK) (Use for Volute Only) | S26826 |
| 800B | Capscrew, 1/2 - 13 x 1" (4 Req.) | S26912 |
| 805 | Washer, Lock | S23036 |
| 810A | Plug, Pipe 1/4 NPT (4 Req.) | S23715 |
| 810B | Plug, Pipe 1/2 NPT | S23717 |
| 815 | Ring, Retaining | S11207 |

Table I

| B/M No. | HP | PH | RPM | "U" Dim. | Imp. Dia. | Imp. No. |
|---------|-----|----|------|----------|-----------|----------|
| B66570S | 3 | 1 | 1800 | 7/8" | 6.06" | H05480 |
| B66571S | 3 | 3 | 1800 | 7/8" | 6.06" | H05480 |
| B66582S | 5 | 1 | 1800 | 7/8" | 7.00" | H05481 |
| B66583S | 5 | 3 | 1800 | 7/8" | 7.00" | H05481 |
| B66592S | 7.5 | 1 | 1800 | 7/8" | 7.88" | H05482 |
| B66593S | 7.5 | 3 | 1800 | 7/8" | 7.88" | H05482 |
| B66602S | 10 | 1 | 1800 | 7/8" | 8.44" | H05483 |
| B66603S | 10 | 3 | 1800 | 7/8" | 8.44" | H05483 |

Table II

| HP | PH | Bracket No. | "AK" Fit | "U" Dim. | Motor Frame |
|-----|----|-------------|----------|----------|-------------|
| 3 | 1 | L05332 | 4-1/2" | 7/8" | 184JM |
| 3 | 3 | L05332 | 4-1/2" | 7/8" | 182JM |
| 5 | 1 | L05331 | 8-1/2" | 7/8" | 213JM |
| 5 | 3 | L05332 | 4-1/2" | 7/8" | 184JM |
| 7.5 | 1 | L05331 | 8-1/2" | 7/8" | 215JM |
| 7.5 | 3 | L05331 | 8-1/2" | 7/8" | 213JM |
| 10 | 1 | L05331 | 8-1/2" | 7/8" | 215JM |
| 10 | 3 | L05331 | 8-1/2" | 7/8" | 215JM |

NOTE 1: For an explanation of the tabulated material found on this page and for impeller key location, refer to *Supplement A* located at the beginning of this section.
NOTE 2: Also accepts gasket S05126 as replacement for o-ring. See *Supplement E* located at the beginning of this section.



Type "B" Single Stage Centrifugal Pump Electric Motor Drive

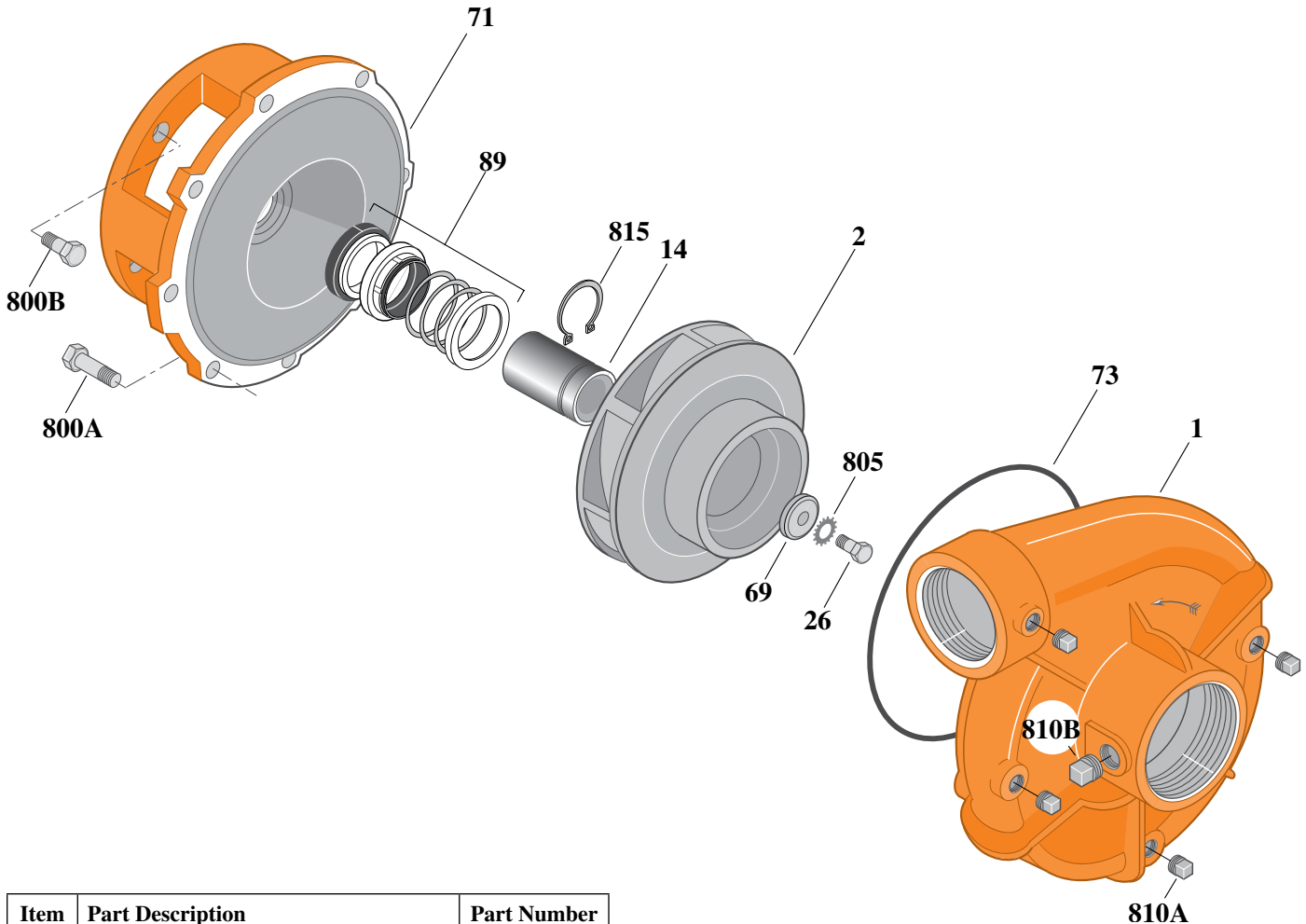
| | |
|-------------------|--------------|
| Section | CC |
| Page | 190.14.2 |
| Date | July 1, 2011 |
| Supersedes 1/1/04 | |

SILICON BRONZE IMPELLER

B3ZPMS

Threaded Case (NPT)

Mechanical Shaft Seal Construction



| Item | Part Description | Part Number |
|------|----------------------------------|--------------|
| 1 | Case, Volute | H00689 |
| 2 | Impeller | See Table I |
| 14 | Sleeve, Shaft | S18869L |
| 26 | Screw, Impeller 1/2 - 13 x 1" | S23619 |
| 32 | Key, 1/4 x 2-1/4" (See Note 1) | S23677 |
| 69 | Washer, Impeller | S06319 |
| 71 | Bracket | See Table II |
| 73 | O-Ring (See Note 2) | M14943 |
| 89 | Seal, Mechanical Shaft | S32015 |
| 800A | Capscrew, 3/8 - 16 x 1" (8 Req.) | S26826 |
| 800B | Capscrew, 1/2 - 13 x 1" (4 Req.) | S26912 |
| 805 | Washer, Lock | S23038 |
| 810A | Plug, Pipe 1/4 NPT (4 Req.) | S23715 |
| 810B | Plug, Pipe 1/2 NPT | S23717 |
| 815 | Ring, Retaining | S16767 |

Table I

| B/M No. | HP | PH | RPM | "U" Dim. | Imp. Dia. | Imp. No. |
|---------|----|----|------|----------|-----------|----------|
| B66609S | 15 | 3 | 1800 | 1-1/4" | 9.00" | H05479 |

Table II

| HP | PH | Bracket No. | "AK" Fit | "U" Dim. | Motor Frame |
|----|----|-------------|----------|----------|-------------|
| 15 | 3 | L04615 | 8-1/2" | 1-1/4" | 254JM |

NOTE 1: For an explanation of the tabulated material found on this page and for impeller key location, refer to *Supplement A* located at the beginning of this section.

NOTE 2: Also accepts gasket S05126 as replacement for o-ring. See *Supplement E* located at the beginning of this section.



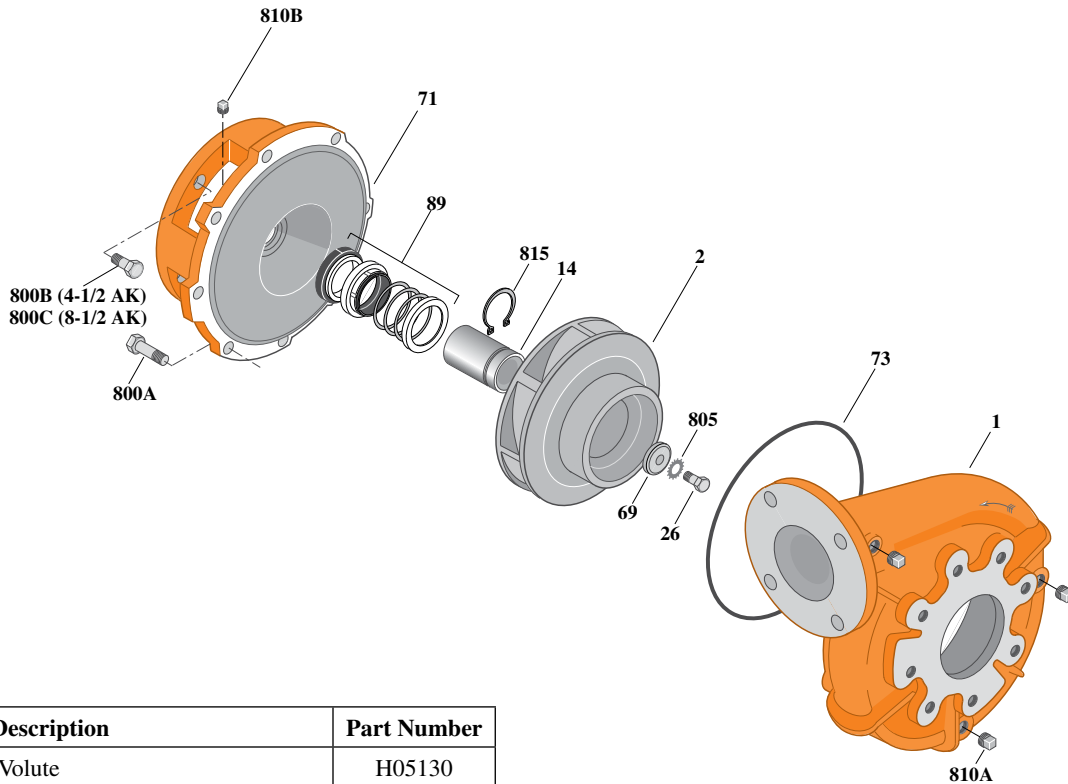
Type "B" Single Stage Centrifugal Pump Electric Motor Drive

| | |
|-------------------|--------------|
| Section | CC |
| Page | 190.15 |
| Date | July 1, 2011 |
| Supersedes 1/1/04 | |

BRONZE IMPELLERB3ZPMS

Flanged Case

Mechanical Shaft Seal Construction



| Item | Part Description | Part Number |
|------|--|--------------|
| 1 | Case, Volute | H05130 |
| 2 | Impeller | See Table I |
| 14 | Sleeve, Shaft | S19310L |
| 26 | Screw, Impeller 3/8 - 16 x 1" | S23566 |
| 32 | Key, 3/16 x 1-1/4" (See Note 1) | S34383 |
| 69 | Washer, Impeller | S06314 |
| 71 | Bracket | See Table II |
| 73 | O-Ring (See Note 2) | M14943 |
| 89 | Seal, Mechanical Shaft | S32014 |
| 800A | Capscrew, 3/8 - 16 x 1" (12 Req.) (4-1/2 AK) (Use for Motor and Volute) | S26826 |
| 800A | Capscrew, 3/8 - 16 x 1" (8 Req.) (8-1/2 AK) (Use for Volute Only) | S26826 |
| 800B | Capscrew, 1/2 - 13 x 1" (4 Req.) | S26912 |
| 805 | Washer, Lock | S23036 |
| 810 | Plug, Pipe 1/4 NPT (3 Req.) | S23715 |
| 815 | Ring, Retaining | S11207 |

NOTE 1: For an explanation of the tabulated material found on this page and for impeller key location, refer to *Supplement A* located at the beginning of this section.

NOTE 2: Also accepts gasket S05126 as replacement for o-ring. See *Supplement E* located at the beginning of this section.

Table I

| B/M No. | HP | PH | RPM | "U" Dim. | Imp. Dia. | Imp. No. |
|---------|----|----|-----|----------|-----------|----------|
| B71940 | | | | | | |
| B71941 | | | | | | |
| B71942 | | | | | | |
| B71943 | | | | | | |
| B71944 | | | | | | |
| B71945 | | | | | | |
| B71946 | | | | | | |
| B71947 | | | | | | |

These B/M Numbers
Are No Longer Available.

See Page 190.16.1 for Current Models.

Table II

| HP | PH | Bracket No. | "AK" Fit | "U" Dim. | Motor Frame |
|-----|----|-------------|----------|----------|-------------|
| 3 | 1 | L05332 | 4-1/2" | 7/8" | 184JM |
| 3 | 3 | L05332 | 4-1/2" | 7/8" | 182JM |
| 5 | 1 | L05331 | 8-1/2" | 7/8" | 213JM |
| 5 | 3 | L05332 | 4-1/2" | 7/8" | 184JM |
| 7.5 | 1 | L05331 | 8-1/2" | 7/8" | 215JM |
| 7.5 | 3 | L05331 | 8-1/2" | 7/8" | 213JM |
| 10 | 1 | L05331 | 8-1/2" | 7/8" | 215JM |
| 10 | 3 | L05331 | 8-1/2" | 7/8" | 215JM |



Type "B" Single Stage Centrifugal Pump Electric Motor Drive

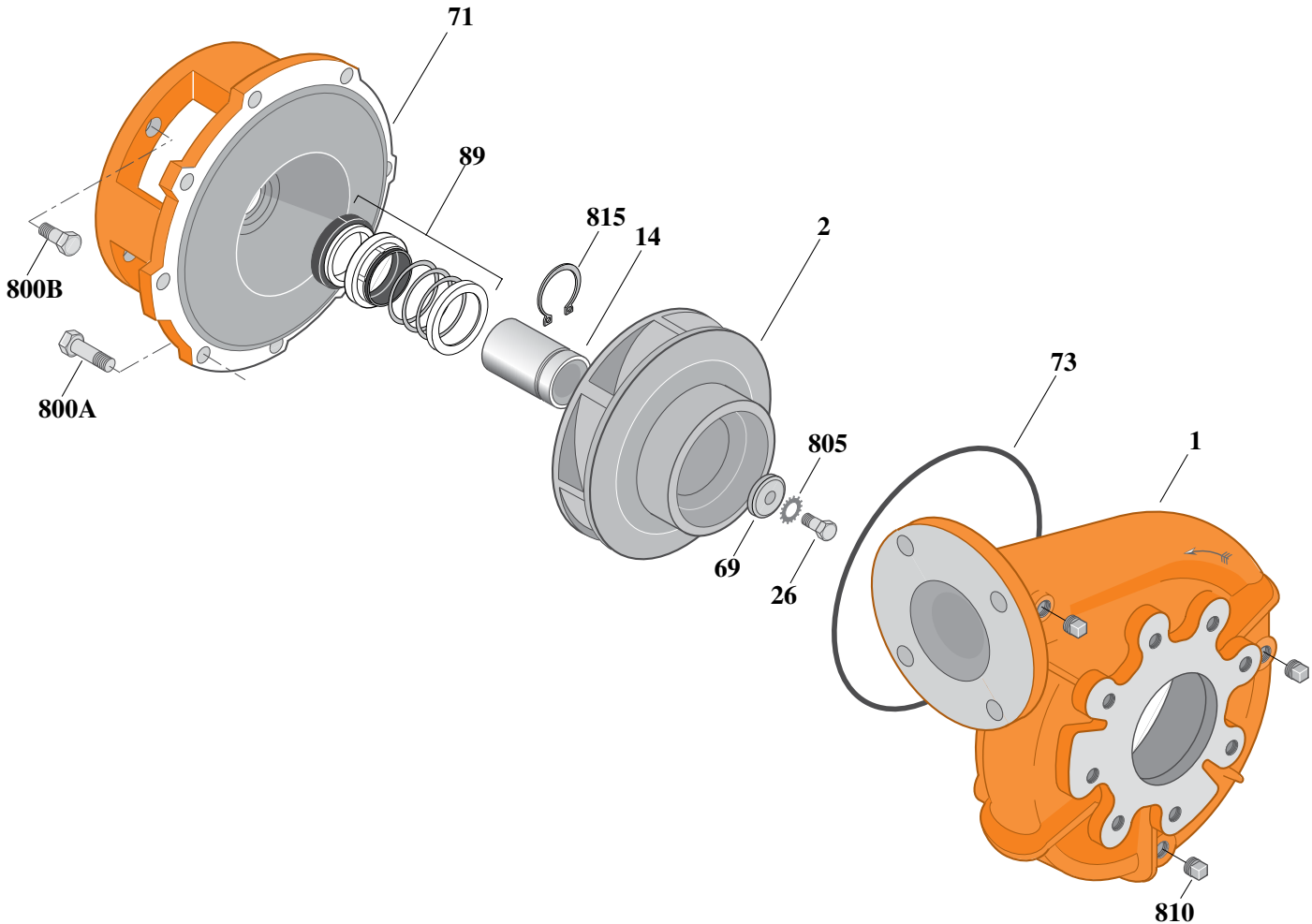
| | |
|-------------------|--------------|
| Section | CC |
| Page | 190.16 |
| Date | July 1, 2011 |
| Supersedes 1/1/04 | |

BRONZE IMPELLER

B3ZPMS

Flanged Case

Mechanical Shaft Seal Construction



| Item | Part Description | Part Number |
|------|----------------------------------|--------------|
| 1 | Case, Volute | H05130 |
| 2 | Impeller | See Table I |
| 14 | Sleeve, Shaft | S18869L |
| 26 | Screw, Impeller 1/2 - 13 x 1" | S23619 |
| 32 | Key, 1/4 x 2-1/4" (See Note 1) | S23677 |
| 69 | Washer, Impeller | S06319 |
| 71 | Bracket | See Table II |
| 73 | O-Ring (See Note 2) | M14943 |
| 89 | Seal, Mechanical Shaft | S32015 |
| 800A | Capscrew, 3/8 - 16 x 1" (8 Req.) | S26826 |
| 800B | Capscrew, 1/2 - 13 x 1" (4 Req.) | S26912 |
| 805 | Washer, Lock | S23038 |
| 810 | Plug, Pipe 1/4 NPT (3 Req.) | S23715 |
| 815 | Ring, Retaining | S16767 |

Table I

| B/M No. | HP | PH | RPM | "U" Dim. | Imp. Dia. | Imp. No. |
|---------|---|----|------|----------|-----------|----------|
| B71949 | No Longer Available. See Below For Current Model. | | | | | |
| B71949S | 15 | 3 | 1800 | 1-1/4" | 9.00" | H05479 |

Table II

| HP | PH | Bracket No. | "AK" Fit | "U" Dim. | Motor Frame |
|----|----|-------------|----------|----------|-------------|
| 15 | 3 | L04615 | 8-1/2" | 1-1/4" | 254JM |

NOTE 1: For an explanation of the tabulated material found on this page and for impeller key location, refer to *Supplement A* located at the beginning of this section.

NOTE 2: Also accepts gasket S05126 as replacement for o-ring. See *Supplement E* located at the beginning of this section.



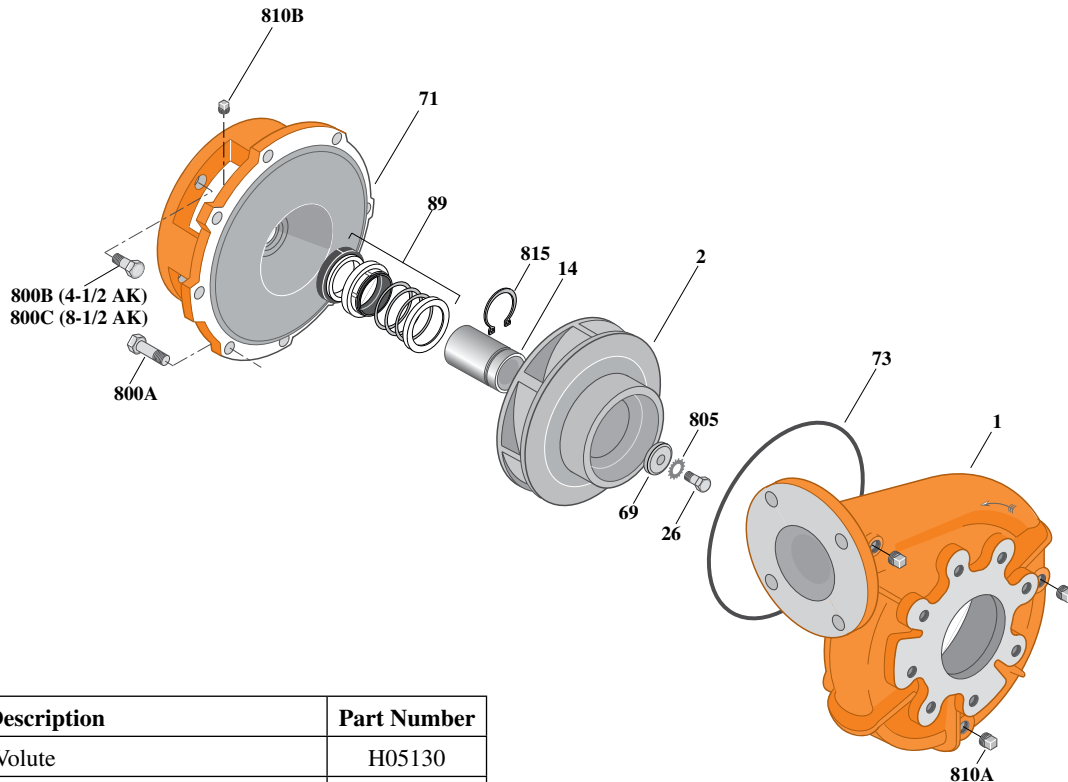
Type "B" Single Stage Centrifugal Pump Electric Motor Drive

| | |
|-------------------|--------------|
| Section | CC |
| Page | 190.16.1 |
| Date | July 1, 2011 |
| Supersedes 1/1/04 | |

SILICON BRONZE IMPELLERB3ZPMS

Flanged Case

Mechanical Shaft Seal Construction



| Item | Part Description | Part Number |
|------|---|--------------|
| 1 | Case, Volute | H05130 |
| 2 | Impeller | See Table I |
| 14 | Sleeve, Shaft | S19310L |
| 26 | Screw, Impeller 3/8 - 16 x 1" | S23566 |
| 32 | Key, 3/16 x 1-1/4" (See Note 1) | S34383 |
| 69 | Washer, Impeller | S06314 |
| 71 | Bracket | See Table II |
| 73 | O-Ring (See Note 2) | M14943 |
| 89 | Seal, Mechanical Shaft | S32014 |
| 800A | Capscrew, 3/8 - 16 x 1" (12 Req.) (4-1/2 AK) (Use for Motor and Volute) | S26826 |
| 800A | Capscrew, 3/8 - 16 x 1" (8 Req.) (8-1/2 AK) (Use for Volute Only) | S26826 |
| 800B | Capscrew, 1/2 - 13 x 1" (4 Req.) | S26912 |
| 805 | Washer, Lock | S23036 |
| 810 | Plug, Pipe 1/4 NPT (3 Req.) | S23715 |
| 815 | Ring, Retaining | S11207 |

Table I

| B/M No. | HP | PH | RPM | "U" Dim. | Imp. Dia. | Imp. No. |
|---------|-----|----|------|----------|-----------|----------|
| B71940S | 3 | 1 | 1800 | 7/8" | 6.06" | H05480 |
| B71941S | 3 | 3 | 1800 | 7/8" | 6.06" | H05480 |
| B71942S | 5 | 1 | 1800 | 7/8" | 7.00" | H05481 |
| B71943S | 5 | 3 | 1800 | 7/8" | 7.00" | H05481 |
| B71944S | 7.5 | 1 | 1800 | 7/8" | 7.88" | H05482 |
| B71945S | 7.5 | 3 | 1800 | 7/8" | 7.88" | H05482 |
| B71946S | 10 | 1 | 1800 | 7/8" | 8.44" | H05483 |
| B71947S | 10 | 3 | 1800 | 7/8" | 8.44" | H05483 |

Table II

| HP | PH | Bracket No. | "AK" Fit | "U" Dim. | Motor Frame |
|-----|----|-------------|----------|----------|-------------|
| 3 | 1 | L05332 | 4-1/2" | 7/8" | 184JM |
| 3 | 3 | L05332 | 4-1/2" | 7/8" | 182JM |
| 5 | 1 | L05331 | 8-1/2" | 7/8" | 213JM |
| 5 | 3 | L05332 | 4-1/2" | 7/8" | 184JM |
| 7.5 | 1 | L05331 | 8-1/2" | 7/8" | 215JM |
| 7.5 | 3 | L05331 | 8-1/2" | 7/8" | 213JM |
| 10 | 1 | L05331 | 8-1/2" | 7/8" | 215JM |
| 10 | 3 | L05331 | 8-1/2" | 7/8" | 215JM |

NOTE 1: For an explanation of the tabulated material found on this page and for impeller key location, refer to **Supplement A** located at the beginning of this section.

NOTE 2: Also accepts gasket S05126 as replacement for o-ring. See **Supplement E** located at the beginning of this section.



Type "B" Single Stage Centrifugal Pump Electric Motor Drive

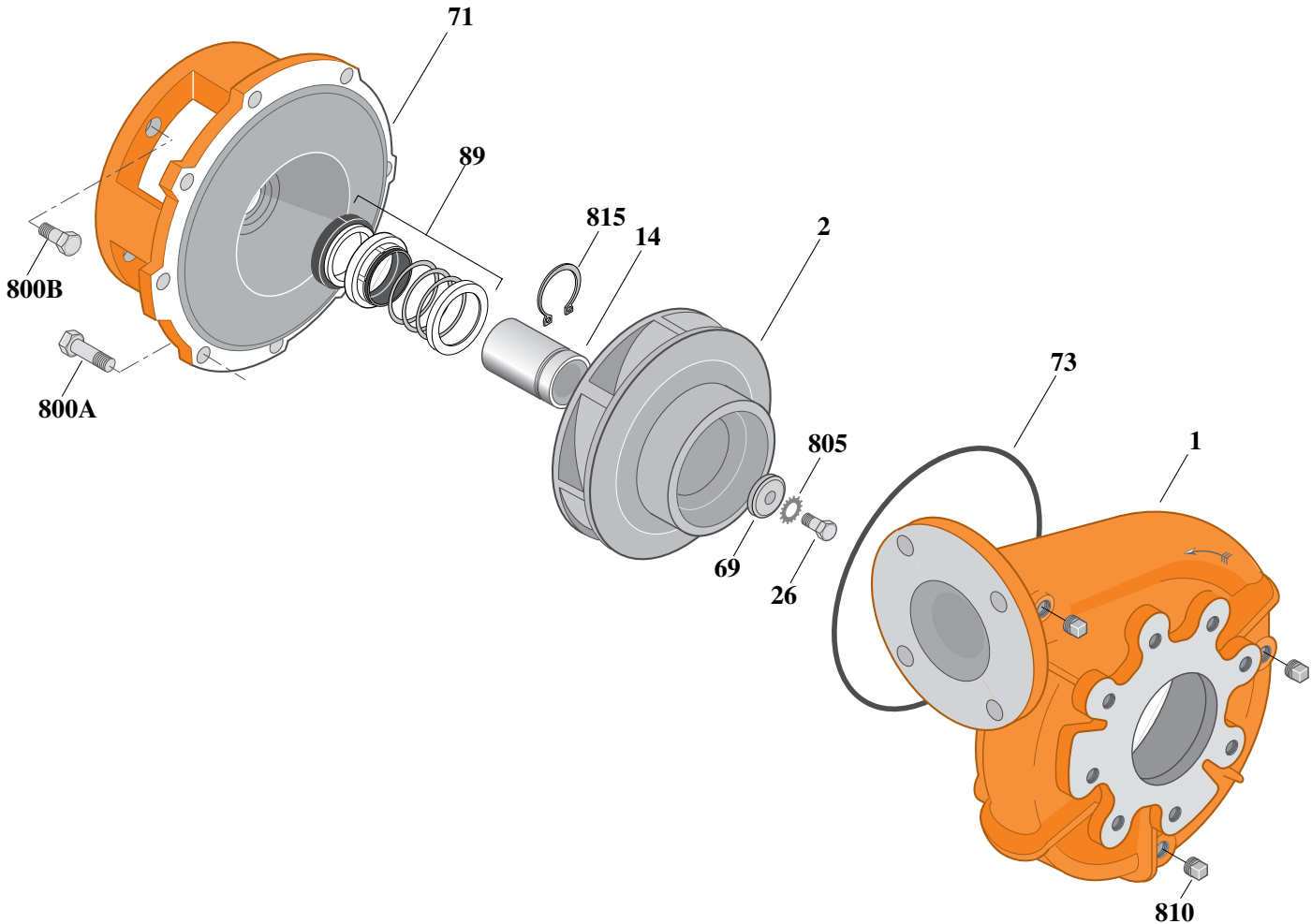
| | |
|-------------------|--------------|
| Section | CC |
| Page | 190.16.2 |
| Date | July 1, 2011 |
| Supersedes 1/1/04 | |

SILICON BRONZE IMPELLER

B3ZPMS

Flanged Case

Mechanical Shaft Seal Construction



| Item | Part Description | Part Number |
|------|----------------------------------|--------------|
| 1 | Case, Volute | H05130 |
| 2 | Impeller | See Table I |
| 14 | Sleeve, Shaft | S18869L |
| 26 | Screw, Impeller 1/2 - 13 x 1" | S23619 |
| 32 | Key, 1/4 x 2-1/4" (See Note 1) | S23677 |
| 69 | Washer, Impeller | S06319 |
| 71 | Bracket | See Table II |
| 73 | O-Ring (See Note 2) | M14943 |
| 89 | Seal, Mechanical Shaft | S32015 |
| 800A | Capscrew, 3/8 - 16 x 1" (8 Req.) | S26826 |
| 800B | Capscrew, 1/2 - 13 x 1" (4 Req.) | S26912 |
| 805 | Washer, Lock | S23038 |
| 810 | Plug, Pipe 1/4 NPT (3 Req.) | S23715 |
| 815 | Ring, Retaining | S16767 |

Table I

| B/M No. | HP | PH | RPM | "U" Dim. | Imp. Dia. | Imp. No. |
|---------|----|----|------|----------|-----------|----------|
| B71949S | 15 | 3 | 1800 | 1-1/4" | 9.00" | H05479 |

Table II

| HP | PH | Bracket No. | "AK" Fit | "U" Dim. | Motor Frame |
|----|----|-------------|----------|----------|-------------|
| 15 | 3 | L04615 | 8-1/2" | 1-1/4" | 254JM |

NOTE 1: For an explanation of the tabulated material found on this page and for impeller key location, refer to *Supplement A* located at the beginning of this section.

NOTE 2: Also accepts gasket S05126 as replacement for o-ring. See *Supplement E* located at the beginning of this section.



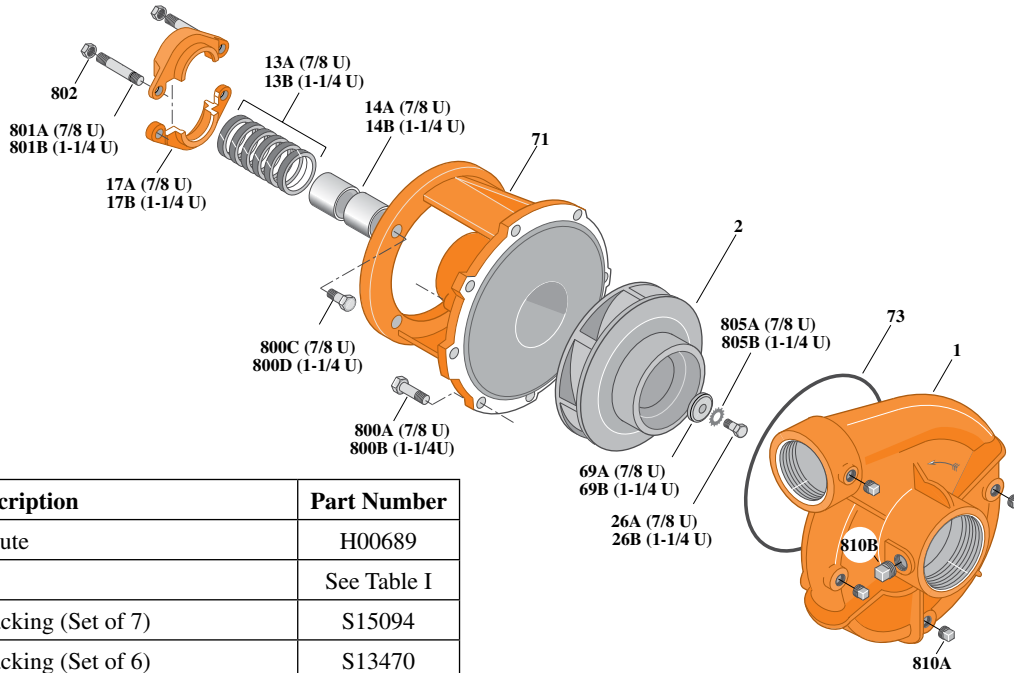
Type "B" Single Stage Centrifugal Pump Electric Motor Drive

| | |
|-------------------|--------------|
| Section | CC |
| Page | 190.17 |
| Date | July 1, 2011 |
| Supersedes 1/1/04 | |

SILICON BRONZE IMPELLER B3ZPM

Threaded Case (NPT)

Packing Construction



| Item | Part Description | Part Number |
|------|--------------------------------------|--------------|
| 1 | Case, Volute | H00689 |
| 2 | Impeller | See Table I |
| 13A | Rings, Packing (Set of 7) | S15094 |
| 13B | Rings, Packing (Set of 6) | S13470 |
| 14A | Sleeve, Shaft (2 Req.) | S00619L |
| 14B | Sleeve, Shaft | S05149L |
| 17A | Gland, Packing | B82469 |
| 17B | Gland, Packing | B82470 |
| 26A | Screw, Impeller 3/8 - 16 x 1" | S23566 |
| 26B | Screw, Impeller 1/2 - 13 x 1" | S23619 |
| 32A | Key, 3/16 x 1-1/4" (See Note 1) | S34383 |
| 32B | Key, 1/4 x 2-1/4" (See Note 1) | S23677 |
| 69A | Washer, Impeller | S06314 |
| 69B | Washer, Impeller | S06319 |
| 71 | Bracket | See Table II |
| 73 | O-Ring (See Note 2) | M14943 |
| 800A | Capscrew, 3/8 - 16 x 1" (8 Req.) | S26826 |
| 800B | Capscrew, 3/8 - 16 x 1-1/8" (8 Req.) | S26827 |
| 800C | Capscrew, 3/8 - 16 x 1" (4 Req.) | S26826 |
| 800D | Capscrew, 1/2 - 13 x 1-1/2" (4 Req.) | S26916 |
| 801A | Stud, 3/8 - 16 x 3" (2 Req.) | S04439 |
| 801B | Stud, 3/8 - 16 x 4" (2 Req.) | S08303 |
| 802 | Nut, Hex 3/8 - 16 (2 Req.) | S23343 |
| 805A | Washer, Lock | S23036 |
| 805B | Washer, Lock | S23038 |
| 810A | Plug, Pipe 1/4" NPT (4 Req.) | S23715 |
| 810B | Plug, Pipe 1/2" NPT | S23717 |

Table I

| B/M No. | HP | PH | RPM | "U" Dim. | Imp. Dia. | Imp. No. |
|---------|----|----|------|----------|-----------|----------|
| B66568S | 3 | 1 | 1800 | 7/8" | 6.06" | H05480 |
| B66569S | 3 | 3 | 1800 | 7/8" | 6.06" | H05480 |
| B66580S | 5 | 1 | 1800 | 1-1/4" | 7.00" | H05478 |
| B66581S | 5 | 3 | 1800 | 7/8" | 7.00" | H05481 |

Table II

| HP | PH | Bracket No. | "AK" Fit | "U" Dim. | Motor Frame |
|----|----|-------------|----------|----------|-------------|
| 3 | 1 | H00950 | 4-1/2" | 7/8" | 184JP |
| 3 | 3 | H00950 | 4-1/2" | 7/8" | 182JP |
| 5 | 1 | L03827 | 8-1/2" | 1-1/4" | 213JP |
| 5 | 3 | H00950 | 4-1/2" | 7/8" | 184JP |

NOTE 1: For an explanation of the tabulated material found on this page and for impeller key location, refer to *Supplement A* located at the beginning of this section.

NOTE 2: Also accepts gasket S05126 as replacement for o-ring. See *Supplement E* located at the beginning of this section.



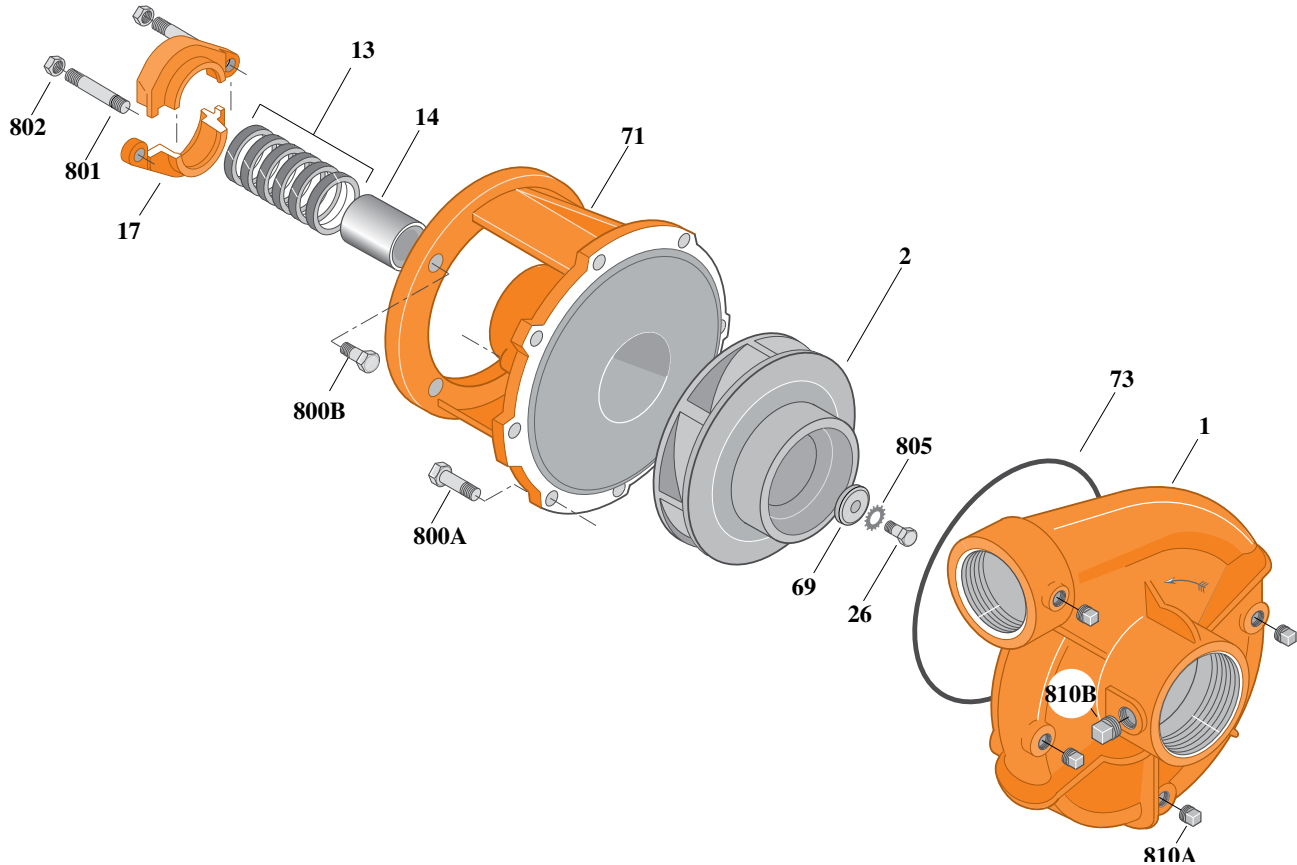
Type "B" Single Stage Centrifugal Pump Electric Motor Drive

| | |
|-------------------|--------------|
| Section | CC |
| Page | 190.18 |
| Date | July 1, 2011 |
| Supersedes 1/1/04 | |

SILICON BRONZE IMPELLERB3ZPM

Threaded Case (NPT)

Packing Construction



| Item | Part Description | Part Number |
|------|--------------------------------------|--------------|
| 1 | Case, Volute | H00689 |
| 2 | Impeller | See Table I |
| 13 | Rings, Packing (Set of 6) | S13470 |
| 14 | Sleeve, Shaft | S05149L |
| 17 | Gland, Packing | B82470 |
| 26 | Screw, Impeller 1/2 - 13 x 1" | S23619 |
| 32 | Key, 1/4 x 2-1/4" (See Note 1) | S23677 |
| 69 | Washer, Impeller | S06319 |
| 71 | Bracket | See Table II |
| 73 | O-Ring (See Note 2) | M14943 |
| 800A | Capscrew, 3/8 - 16 x 1" (8 Req.) | S26826 |
| 800B | Capscrew, 1/2 - 13 x 1-1/2" (4 Req.) | S26916 |
| 801 | Stud, 3/8 - 16 x 4" (2 Req.) | S08303 |
| 802 | Nut, Hex 3/8 - 16 (2 Req.) | S23343 |
| 805 | Washer, Lock | S23038 |
| 810A | Plug, Pipe 1/4" NPT (4 Req.) | S23715 |
| 810B | Plug, Pipe 1/2" NPT | S23717 |

Table I

| B/M No. | HP | PH | RPM | "U" Dim. | Imp. Dia. | Imp. No. |
|---------|-----|----|------|----------|-----------|----------|
| B66590S | 7.5 | 1 | 1800 | 1-1/4" | 7.88" | H05477 |
| B66591S | 7.5 | 3 | 1800 | 1-1/4" | 7.88" | H05477 |
| B66600S | 10 | 1 | 1800 | 1-1/4" | 8.44" | H05476 |
| B66601S | 10 | 3 | 1800 | 1-1/4" | 8.44" | H05476 |
| B66608S | 15 | 3 | 1800 | 1-1/4" | 9.00" | H05479 |

Table II

| HP | PH | Bracket No. | "AK" Fit | "U" Dim. | Motor Frame |
|-----|----|-------------|----------|----------|-------------|
| 7.5 | 1 | L03827 | 8-1/2" | 1-1/4" | 215JP |
| 7.5 | 3 | L03827 | 8-1/2" | 1-1/4" | 213JP |
| 10 | 1 | L03827 | 8-1/2" | 1-1/4" | 215JP |
| 10 | 3 | L03827 | 8-1/2" | 1-1/4" | 215JP |
| 15 | 3 | L03827 | 8-1/2" | 1-1/4" | 254JP |

NOTE 1: For an explanation of the tabulated material found on this page and for impeller key location, refer to *Supplement A* located at the beginning of this section.

NOTE 2: Also accepts gasket S05126 as replacement for o-ring. See *Supplement E* located at the beginning of this section.



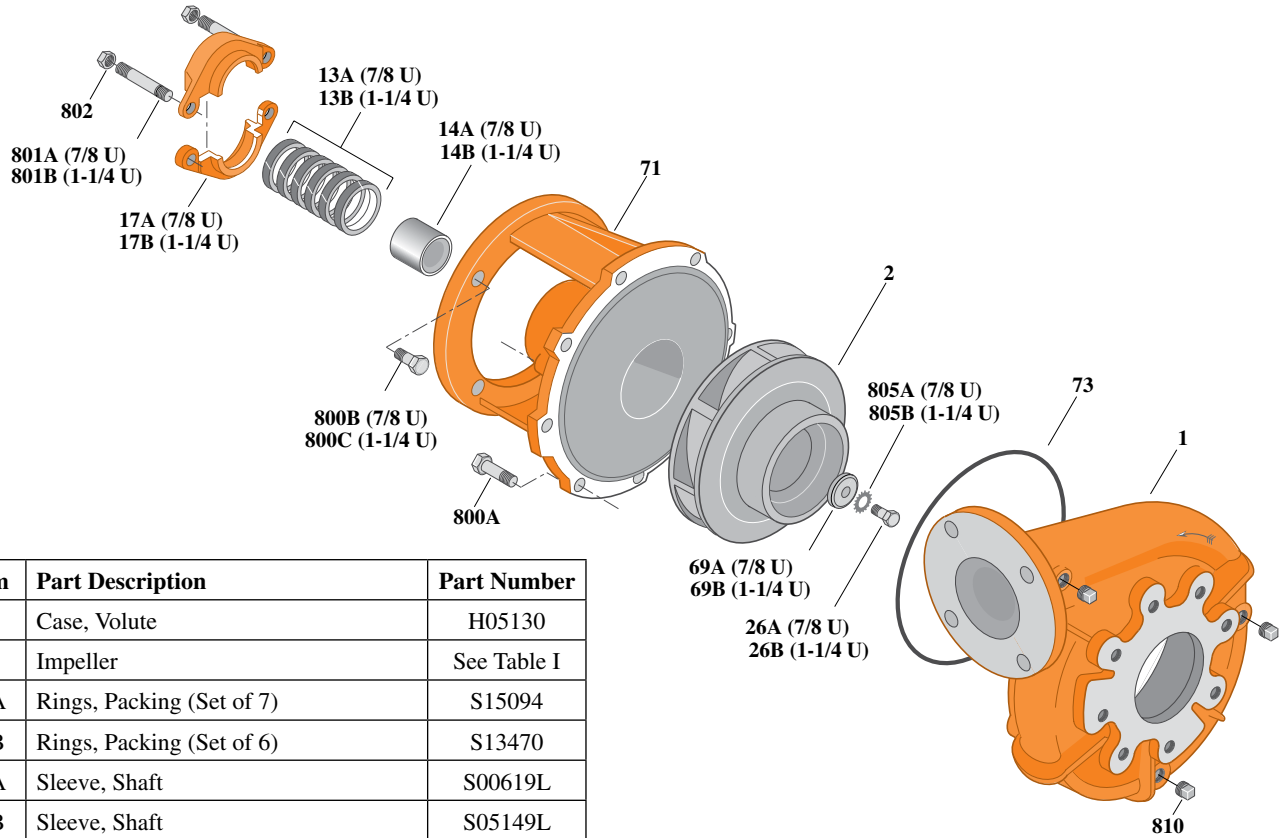
Type "B" Single Stage Centrifugal Pump Electric Motor Drive

| | |
|-------------------|--------------|
| Section | CC |
| Page | 190.19 |
| Date | July 1, 2011 |
| Supersedes 1/1/04 | |

SILICON BRONZE IMPELLERB3ZPM

Flanged Case

Packing Construction



| Item | Part Description | Part Number |
|------|--------------------------------------|--------------|
| 1 | Case, Volute | H05130 |
| 2 | Impeller | See Table I |
| 13A | Rings, Packing (Set of 7) | S15094 |
| 13B | Rings, Packing (Set of 6) | S13470 |
| 14A | Sleeve, Shaft | S00619L |
| 14B | Sleeve, Shaft | S05149L |
| 17A | Gland, Packing | B82469 |
| 17B | Gland, Packing | B82470 |
| 26A | Screw, Impeller 3/8 - 16 x 1" | S23566 |
| 26B | Screw, Impeller 1/2 - 13 x 1" | S23619 |
| 32A | Key, 3/16 x 1-1/4" (See Note 1) | S34383 |
| 32B | Key, 1/4 x 2-1/4" (See Note 1) | S23677 |
| 69A | Washer, Impeller | S06314 |
| 69B | Washer, Impeller | S06319 |
| 71 | Bracket | See Table II |
| 73 | O-Ring (See Note 2) | M14943 |
| 800A | Capscrew, 3/8 - 16 x 1" (8 Req.) | S26826 |
| 800B | Capscrew, 3/8 - 16 x 1" (4 Req.) | S26826 |
| 800C | Capscrew, 1/2 - 13 x 1-1/2" (4 Req.) | S26916 |
| 801A | Stud, 3/8 - 16 x 3" (2 Req.) | S04439 |
| 801B | Stud, 3/8 - 16 x 4" (2 Req.) | S08303 |
| 802 | Nut, Hex 3/8 - 16 (2 Req.) | S23343 |
| 805A | Washer, Lock | S23036 |
| 805B | Washer, Lock | S23038 |
| 810 | Plug, Pipe 1/4" NPT (3 Req.) | S23715 |

Table I

| B/M No. | HP | PH | RPM | "U" Dim. | Imp. Dia. | Imp. No. |
|---------|----|----|------|----------|-----------|----------|
| B71930S | 3 | 1 | 1800 | 7/8" | 6.06" | H05480 |
| B71931S | 3 | 3 | 1800 | 7/8" | 6.06" | H05480 |
| B71932S | 5 | 1 | 1800 | 1-1/4" | 7.00" | H05478 |
| B71933S | 5 | 3 | 1800 | 7/8" | 7.00" | H05481 |

Table II

| HP | PH | Bracket No. | "AK" Fit | "U" Dim. | Motor Frame |
|----|----|-------------|----------|----------|-------------|
| 3 | 1 | H00950 | 4-1/2" | 7/8" | 184JP |
| 3 | 3 | H00950 | 4-1/2" | 7/8" | 182JP |
| 5 | 1 | L03827 | 8-1/2" | 1-1/4" | 213JP |
| 5 | 3 | H00950 | 4-1/2" | 7/8" | 184JP |

NOTE 1: For an explanation of the tabulated material found on this page and for impeller key location, refer to *Supplement A* located at the beginning of this section.

NOTE 2: Also accepts gasket S05126 as replacement for o-ring. See *Supplement E* located at the beginning of this section.



Type "B" Single Stage Centrifugal Pump Electric Motor Drive

| | |
|-------------------|--------------|
| Section | CC |
| Page | 190.20 |
| Date | July 1, 2011 |
| Supersedes 1/1/04 | |

SILICON BRONZE IMPELLERB3ZPM

Flanged Case

Packing Construction

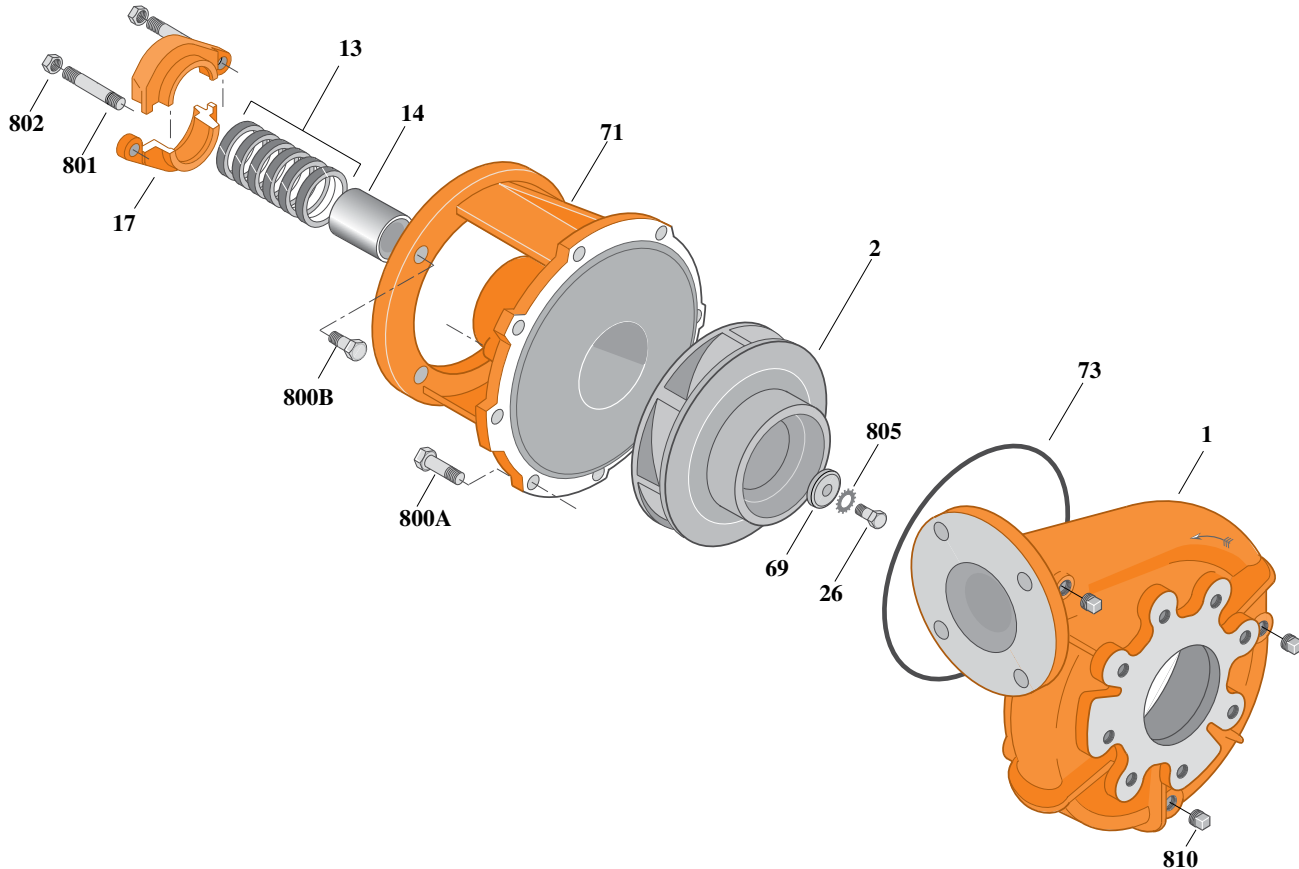


Table I

| Item | Part Description | Part Number |
|------|--------------------------------------|--------------|
| 1 | Case, Volute | H05130 |
| 2 | Impeller | See Table I |
| 13 | Rings, Packing (Set of 6) | S13470 |
| 14 | Sleeve, Shaft | S05149L |
| 17 | Gland, Packing | B82470 |
| 26 | Screw, Impeller 1/2 - 13 x 1" | S23619 |
| 32 | Key, 1/4 x 2-1/4" (See Note 1) | S23677 |
| 69 | Washer, Impeller | S06319 |
| 71 | Bracket | See Table II |
| 73 | O-Ring (See Note 2) | M14943 |
| 800A | Capscrew, 3/8 - 16 x 1" (8 Req.) | S26826 |
| 800B | Capscrew, 1/2 - 13 x 1-1/2" (4 Req.) | S26916 |
| 801 | Stud, 3/8 - 16 x 4" (2 Req.) | S08303 |
| 802 | Nut, Hex 3/8 - 16 (2 Req.) | S23343 |
| 805 | Washer, Lock | S23038 |
| 810 | Plug, Pipe 1/4" NPT (3 Req.) | S23715 |

| B/M No. | HP | PH | RPM | "U" Dim. | Imp. Dia. | Imp. No. |
|---------|-----|----|------|----------|-----------|----------|
| B71934S | 7.5 | 1 | 1800 | 1-1/4" | 7.88" | H05477 |
| B71935S | 7.5 | 3 | 1800 | 1-1/4" | 7.88" | H05477 |
| B71936S | 10 | 1 | 1800 | 1-1/4" | 8.44" | H05476 |
| B71937S | 10 | 3 | 1800 | 1-1/4" | 8.44" | H05476 |
| B71939S | 15 | 3 | 1800 | 1-1/4" | 9.00" | H05479 |

Table II

| HP | PH | Bracket No. | "AK" Fit | "U" Dim. | Motor Frame |
|-----|----|-------------|----------|----------|-------------|
| 7.5 | 1 | L03827 | 8-1/2" | 1-1/4" | 215JP |
| 7.5 | 3 | L03827 | 8-1/2" | 1-1/4" | 213JP |
| 10 | 1 | L03827 | 8-1/2" | 1-1/4" | 215JP |
| 10 | 3 | L03827 | 8-1/2" | 1-1/4" | 215JP |
| 15 | 3 | L03827 | 8-1/2" | 1-1/4" | 254JP |

NOTE 1: For an explanation of the tabulated material found on this page and for impeller key location, refer to *Supplement A* located at the beginning of this section.

NOTE 2: Also accepts gasket S05126 as replacement for o-ring. See *Supplement E* located at the beginning of this section.



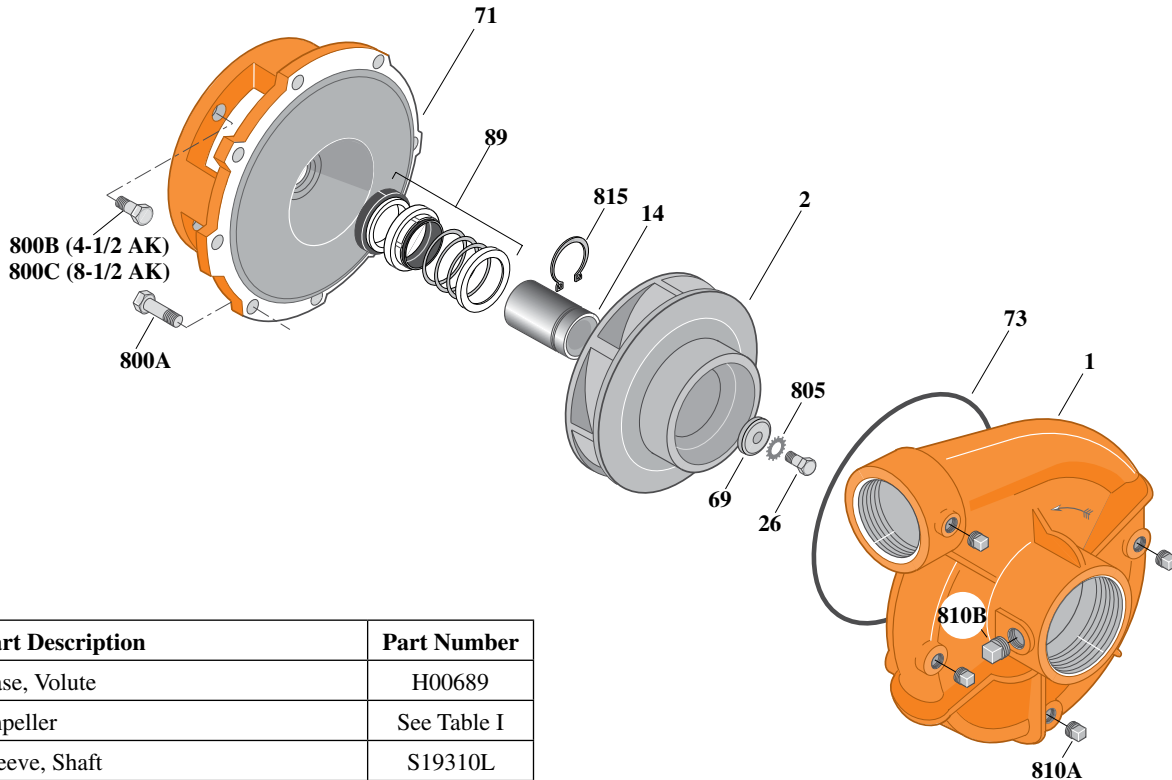
Type "B" Single Stage Centrifugal Pump Electric Motor Drive

| | |
|-------------------|--------------|
| Section | CC |
| Page | 190.21 |
| Date | July 1, 2011 |
| Supersedes 1/1/04 | |

SILICON BRONZE IMPELLERB3ZPMS

Threaded Case (NPT)

Mechanical Shaft Seal Construction



| Item | Part Description | Part Number |
|------|----------------------------------|--------------|
| 1 | Case, Volute | H00689 |
| 2 | Impeller | See Table I |
| 14 | Sleeve, Shaft | S19310L |
| 26 | Screw, Impeller 3/8 - 16 x 1" | S23566 |
| 32 | Key, 3/16 x 1-1/4" (See Note 1) | S34383 |
| 69 | Washer, Impeller | S06314 |
| 71 | Bracket | See Table II |
| 73 | O-Ring (See Note 3) | M14943 |
| 89 | Seal, Mechanical Shaft | S32014 |
| 800A | Capscrew, 3/8 - 16 x 1" (8 Req.) | S26826 |
| 800B | Capscrew, 3/8 - 16 x 1" (4 Req.) | S26826 |
| 800C | Capscrew, 1/2 - 13 x 1" (4 Req.) | S26912 |
| 805 | Washer, Lock | S23036 |
| 810A | Plug, Pipe 1/4" NPT (4 Req.) | S23715 |
| 810B | Plug, Pipe 1/2" NPT | S23717 |
| 815 | Ring, Retaining | S11207 |
| • | Plug, Pipe 1/8" NPT (In Bracket) | S23714 |

* Not illustrated.

NOTE 1: For an explanation of the tabulated material found on this page and for impeller key location, refer to *Supplement A* located at the beginning of this section.

NOTE 2: For seal flush line details, see *Supplement D*.

NOTE 3: Also accepts gasket S05126 as replacement for o-ring. See *Supplement E* located at the beginning of this section.

Table I

| B/M No. | HP | PH | RPM | "U" Dim. | Imp. Dia. | Imp. No. |
|---------|-----|----|------|----------|-----------|----------|
| B66570S | 3 | 1 | 1800 | 7/8" | 6.06" | H05480 |
| B66571S | 3 | 3 | 1800 | 7/8" | 6.06" | H05480 |
| B66582S | 5 | 1 | 1800 | 7/8" | 7.00" | H05481 |
| B66583S | 5 | 3 | 1800 | 7/8" | 7.00" | H05481 |
| B66592S | 7.5 | 1 | 1800 | 7/8" | 7.88" | H05482 |
| B66593S | 7.5 | 3 | 1800 | 7/8" | 7.88" | H05482 |
| B66602S | 10 | 1 | 1800 | 7/8" | 8.44" | H05483 |
| B66603S | 10 | 3 | 1800 | 7/8" | 8.44" | H05483 |

Table II

| HP | PH | Bracket No. | "AK" Fit | "U" Dim. | Motor Frame |
|-----|----|-------------|----------|----------|-------------|
| 3 | 1 | L05332 | 4-1/2" | 7/8" | 184JM |
| 3 | 3 | L05332 | 4-1/2" | 7/8" | 182JM |
| 5 | 1 | L05331 | 8-1/2" | 7/8" | 213JM |
| 5 | 3 | L05332 | 4-1/2" | 7/8" | 184JM |
| 7.5 | 1 | L05331 | 8-1/2" | 7/8" | 215JM |
| 7.5 | 3 | L05331 | 8-1/2" | 7/8" | 213JM |
| 10 | 1 | L05331 | 8-1/2" | 7/8" | 215JM |
| 10 | 3 | L05331 | 8-1/2" | 7/8" | 215JM |



TYPE "B" SINGLE STAGE CENTRIFUGAL PUMP Electric Motor Drive

| | |
|----------------|-------------------|
| Section | CC |
| Page | 190.22 |
| Date | September 1, 1997 |
| Supersedes/New | |

SILICON BRONZE IMPELLER

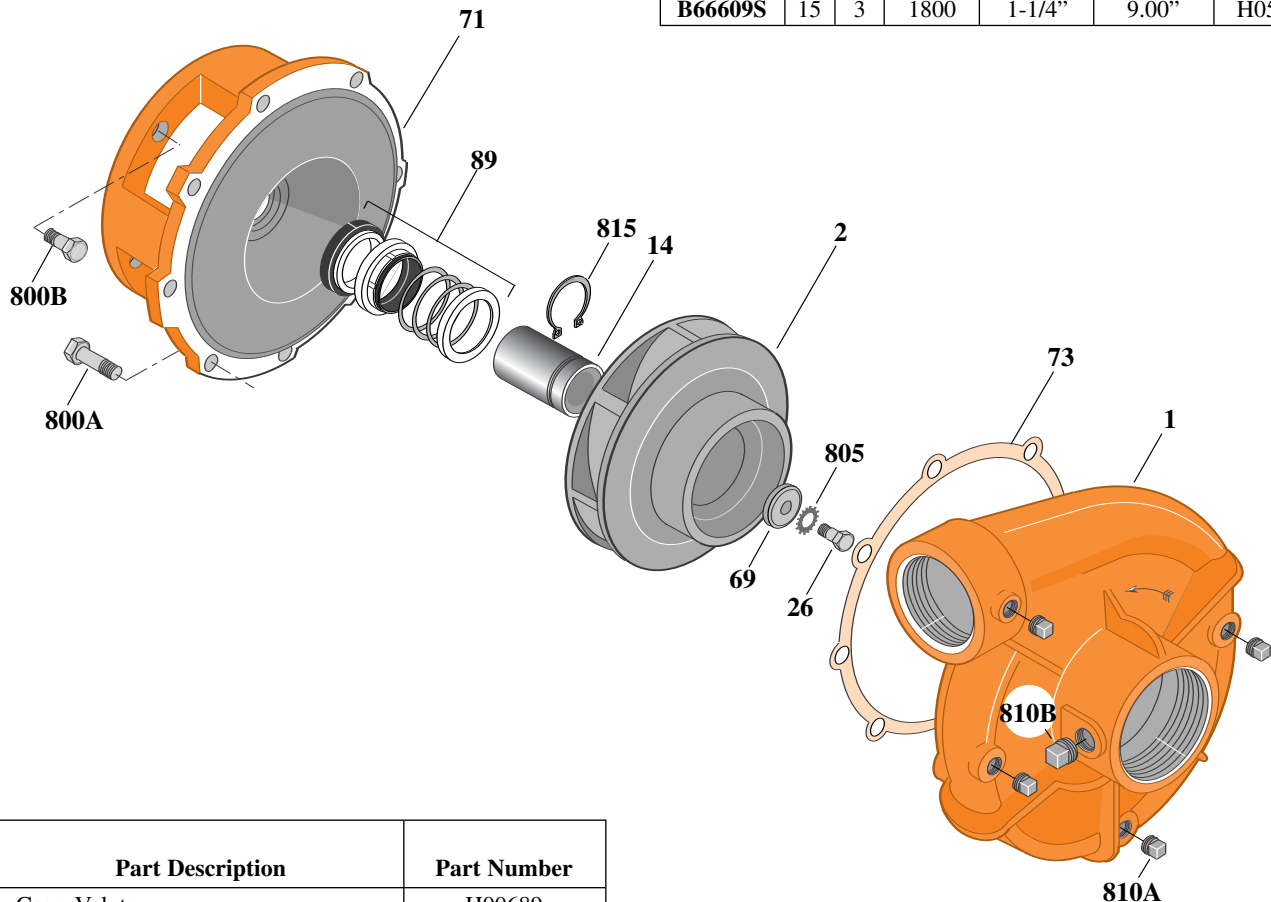
B3ZPMS

Threaded Case (NPT)

Mechanical Shaft Seal Construction

TABLE I

| B/M No. | HP | PH | RPM | "U" Dim. | Imp. Dia. | Imp. No. |
|---------|----|----|------|----------|-----------|----------|
| B66609S | 15 | 3 | 1800 | 1-1/4" | 9.00" | H05479 |



1612 0195

| Item No. | Part Description | Part Number |
|----------|----------------------------------|--------------|
| 1 | Case, Volute | H00689 |
| 2 | Impeller | See Table I |
| 14 | Sleeve, Shaft | S18869 |
| 26 | Screw, Impeller 1/2 - 13 x 1" | S23619 |
| 32 | Key, 1/4 x 2-1/4" (See Note) | S23677 |
| 69 | Washer, Impeller | S06319 |
| 71 | Bracket | See Table II |
| 73 | Gasket, Volute | S05126 |
| 89 | Seal, Mechanical Shaft | S32015 |
| 800A | Capscrew, 3/8 - 16 x 1" (8 Req.) | S26826 |
| 800B | Capscrew, 1/2 - 13 x 1" (4 Req.) | S26912 |
| 805 | Washer, Lock | S23038 |
| 810A | Plug, Pipe 1/4" NPT (4 Req.) | S23715 |
| 810B | Plug, Pipe 1/2" NPT | S23717 |
| 815 | Ring, Retaining | S16767 |
| • | Plug, Pipe 1/8" NPT (In Bracket) | S23714 |

• Not illustrated.

TABLE II

| HP | PH | Bracket No. | "AK" Fit | "U" Dim. | Motor Frame |
|----|----|-------------|----------|----------|-------------|
| 15 | 3 | L04615 | 8-1/2" | 1-1/4" | 254JM |

NOTE: For an explanation of the tabulated material found on this page and for impeller key location, refer to *Supplement A* located at the beginning of this section.

NOTE: For seal flush line details, see *Supplement D*.



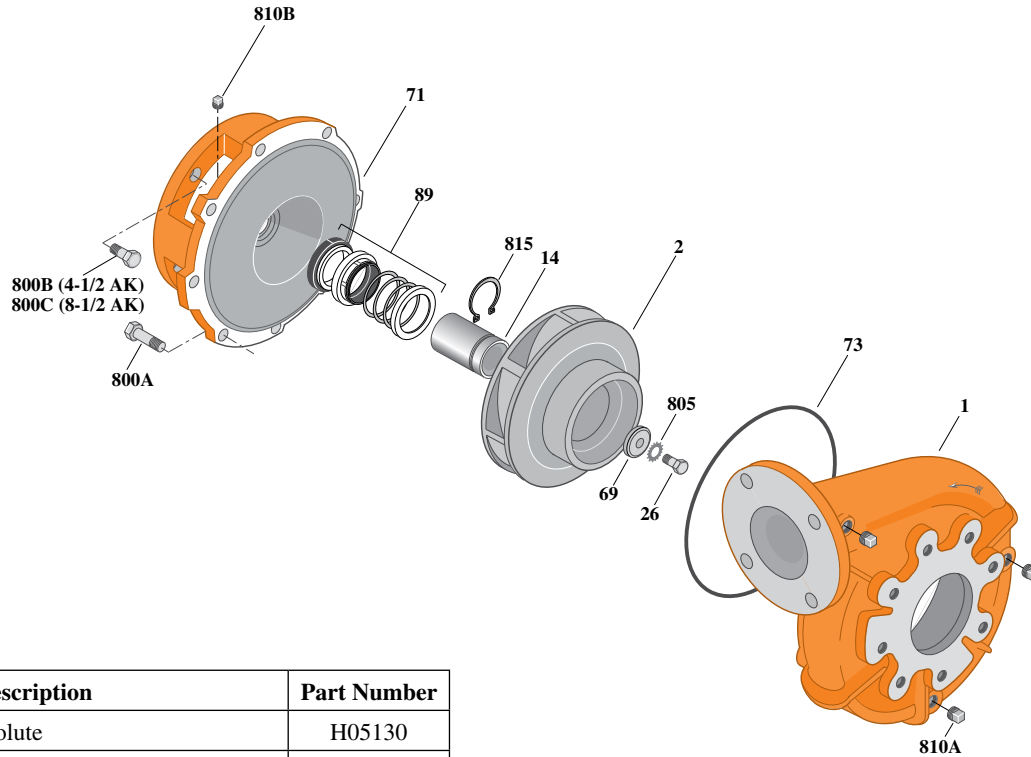
Type "B" Single Stage Centrifugal Pump Electric Motor Drive

| | |
|-------------------|--------------|
| Section | CC |
| Page | 190.23 |
| Date | July 1, 2011 |
| Supersedes 1/1/04 | |

SILICON BRONZE IMPELLERB3ZPMS

Flanged Case

Mechanical Shaft Seal Construction



| Item | Part Description | Part Number |
|------|-----------------------------------|--------------|
| 1 | Case, Volute | H05130 |
| 2 | Impeller | See Table I |
| 14 | Sleeve, Shaft | S19310L |
| 26 | Screw, Impeller 3/8 - 16 x 1" | S23566 |
| 32 | Key, 3/16 x 1-1/4" (See Note 1) | S34383 |
| 69 | Washer, Impeller | S06314 |
| 71 | Bracket | See Table II |
| 73 | O-Ring (See Note 3) | M14943 |
| 89 | Seal, Mechanical Shaft | S32014 |
| 800A | Capscrew, 3/8 - 16 x 1" (8 Req.) | S26826 |
| 800B | Capscrew, 3/8 - 16 x 1" (4 Req.) | S26826 |
| 800C | Capscrew, 1/2 - 13 x 1" (4 Req.) | S26912 |
| 805 | Washer, Lock | S23036 |
| 810A | Plug, Pipe 1/4" NPT (3 Req.) | S23715 |
| 810B | Plug, Pipe 1/8" NPT (In Bracket) | S23714 |
| 815 | Ring, Retaining | S11207 |

* Not illustrated.

NOTE 1: For an explanation of the tabulated material found on this page and for impeller key location, refer to *Supplement A* located at the beginning of this section.

NOTE 2: For seal flush line details, see *Supplement D*.

NOTE 3: Also accepts gasket S05126 as replacement for o-ring. See *Supplement E* located at the beginning of this section.

Table I

| B/M No. | HP | PH | RPM | "U" Dim. | Imp. Dia. | Imp. No. |
|---------|-----|----|------|----------|-----------|----------|
| B71940S | 3 | 1 | 1800 | 7/8" | 6.06" | H05480 |
| B71941S | 3 | 3 | 1800 | 7/8" | 6.06" | H05480 |
| B71942S | 5 | 1 | 1800 | 7/8" | 7.00" | H05481 |
| B71943S | 5 | 3 | 1800 | 7/8" | 7.00" | H05481 |
| B71944S | 7.5 | 1 | 1800 | 7/8" | 7.88" | H05482 |
| B71945S | 7.5 | 3 | 1800 | 7/8" | 7.88" | H05482 |
| B71946S | 10 | 1 | 1800 | 7/8" | 8.44" | H05483 |
| B71947S | 10 | 3 | 1800 | 7/8" | 8.44" | H05483 |

Table II

| HP | PH | Bracket No. | "AK" Fit | "U" Dim. | Motor Frame |
|-----|----|-------------|----------|----------|-------------|
| 3 | 1 | L05332 | 4-1/2" | 7/8" | 184JM |
| 3 | 3 | L05332 | 4-1/2" | 7/8" | 182JM |
| 5 | 1 | L05331 | 8-1/2" | 7/8" | 213JM |
| 5 | 3 | L05332 | 4-1/2" | 7/8" | 184JM |
| 7.5 | 1 | L05331 | 8-1/2" | 7/8" | 215JM |
| 7.5 | 3 | L05331 | 8-1/2" | 7/8" | 213JM |
| 10 | 1 | L05331 | 8-1/2" | 7/8" | 215JM |
| 10 | 3 | L05331 | 8-1/2" | 7/8" | 215JM |



Type "B" Single Stage Centrifugal Pump Electric Motor Drive

| | |
|----------------|-------------------|
| Section | CC |
| Page | 190.24 |
| Date | September 1, 1997 |
| Supersedes/New | |

SILICON BRONZE IMPELLER

B3ZPMS

Flanged Case

Mechanical Shaft Seal Construction

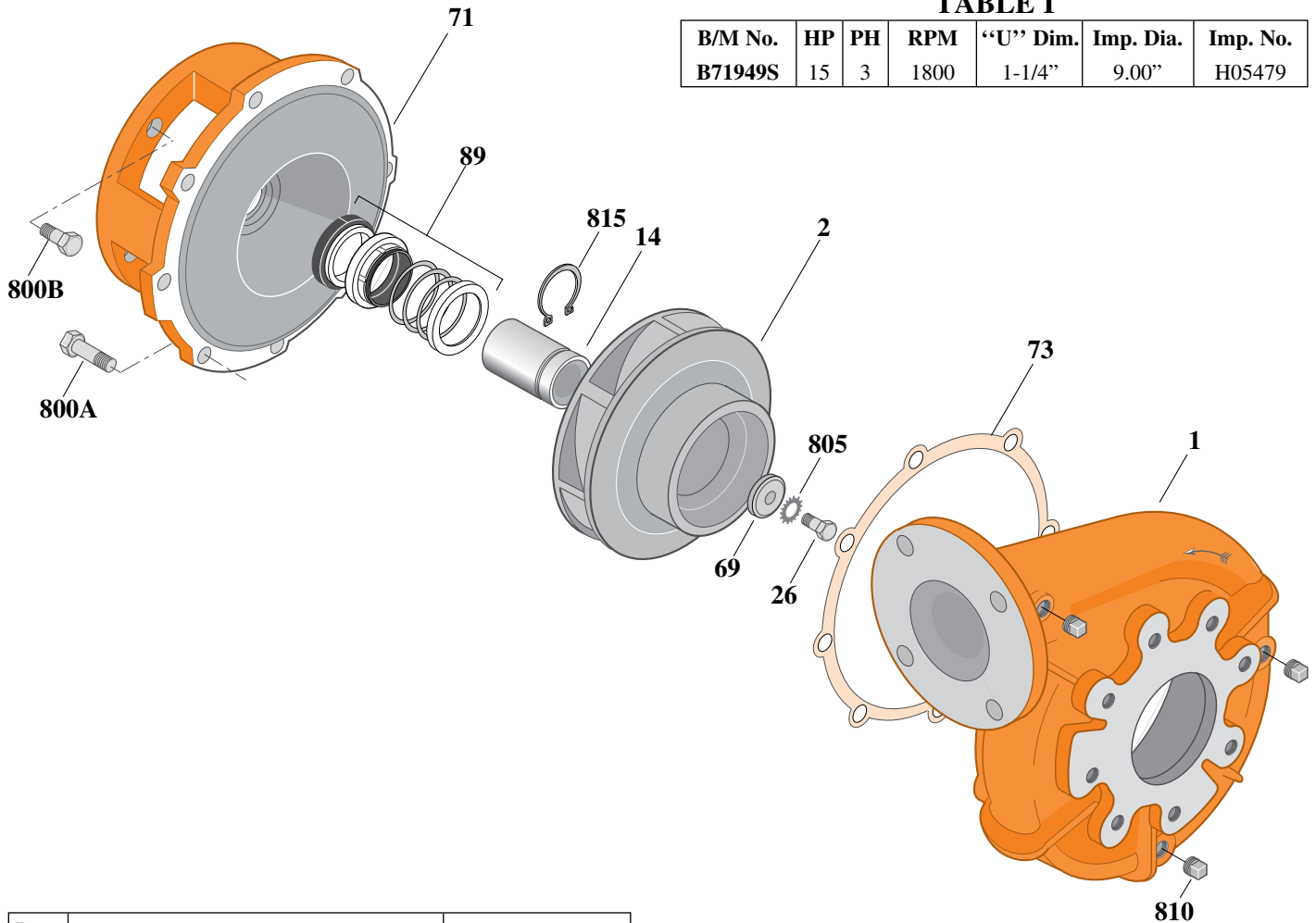


TABLE I

| B/M No. | HP | PH | RPM | "U" Dim. | Imp. Dia. | Imp. No. |
|---------|----|----|------|----------|-----------|----------|
| B71949S | 15 | 3 | 1800 | 1-1/4" | 9.00" | H05479 |

| Item No. | Part Description | Part Number |
|----------|----------------------------------|--------------|
| 1 | Case, Volute | H05130 |
| 2 | Impeller | See Table I |
| 14 | Sleeve, Shaft | S18869 |
| 26 | Screw, Impeller 1/2 - 13 x 1" | S23619 |
| 32 | Key, 1/4 x 2-1/4" (See Note) | S23677 |
| 69 | Washer, Impeller | S06319 |
| 71 | Bracket | See Table II |
| 73 | Gasket, Volute | S05126 |
| 89 | Seal, Mechanical Shaft | S32015 |
| 800A | Capscrew, 3/8 - 16 x 1" (8 Req.) | S26826 |
| 800B | Capscrew, 1/2 - 13 x 1" (4 Req.) | S26912 |
| 805 | Washer, Lock | S23038 |
| 810 | Plug, Pipe 1/4" NPT (3 Req.) | S23715 |
| 815 | Ring, Retaining | S16767 |
| • | Plug, Pipe 1/8" NPT (In Bracket) | S23714 |

TABLE II

| HP | PH | Bracket No. | "AK" Fit | "U" Dim. | Motor Frame |
|----|----|-------------|----------|----------|-------------|
| 15 | 3 | L04615 | 8-1/2" | 1-1/4" | 254JM |

NOTE: For an explanation of the tabulated material found on this page and for impeller key location, refer to *Supplement A* located at the beginning of this section.

NOTE: For seal flush line details, see *Supplement D*.

• Not illustrated.



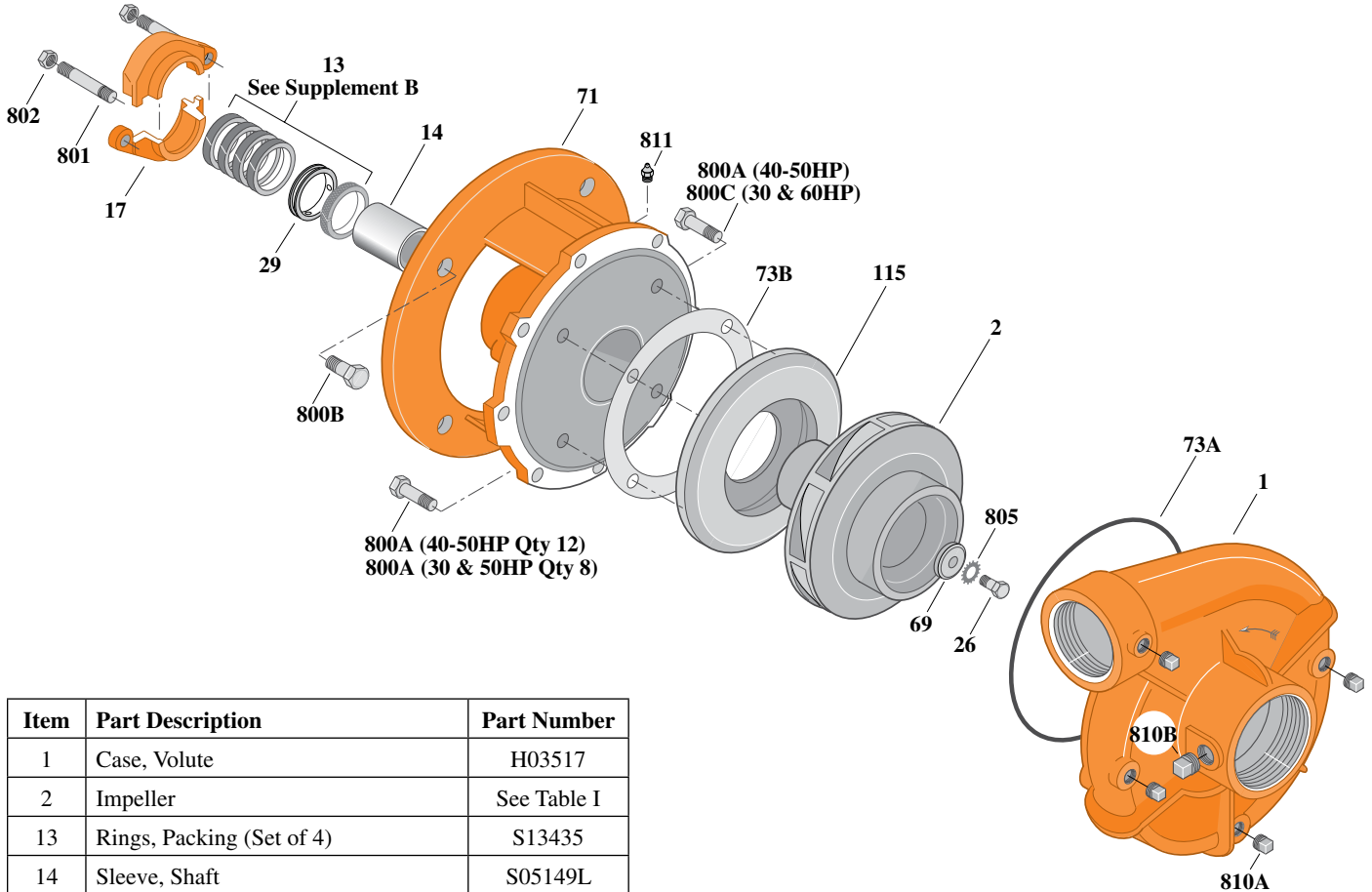
Type "B" Single Stage Centrifugal Pump Electric Motor Drive

| | |
|-------------------|--------------|
| Section | CC |
| Page | 200.1 |
| Date | July 1, 2011 |
| Supersedes 1/1/04 | |

CAST IRON IMPELLERB3ZPBH

Threaded Case (NPT)

Packing Construction



| Item | Part Description | Part Number |
|------|--------------------------------------|--------------|
| 1 | Case, Volute | H03517 |
| 2 | Impeller | See Table I |
| 13 | Rings, Packing (Set of 4) | S13435 |
| 14 | Sleeve, Shaft | S05149L |
| 17 | Gland, Packing | B82470 |
| 26 | Screw, Impeller 1/2 - 13 x 1-3/4" | S23625 |
| 29 | Ring, Lantern | S19200 |
| 32 | Key, 3/16 x 1-1/4" (See Note 1) | S34383 |
| 69 | Washer, Impeller | S18177 |
| 71 | Bracket | See Table II |
| 73A | O-Ring (See Note 2) | M14943 |
| 73B | Gasket, Balance Ring | S09943 |
| 115 | Ring, Balance | S19904 |
| 800A | Capscrew, 3/8 - 16 x 1" (12 Req.) | S26826 |
| 800B | Capscrew, 5/8 - 11 x 1-1/4" (4 Req.) | S26999 |
| 801 | Stud, 3/8 - 16 x 4" (2 Req.) | S08303 |
| 802 | Nut, Hex 3/8 - 16 (2 Req.) | S23343 |
| 805 | Washer, Lock | S23038 |
| 810A | Plug, Pipe 1/4 NPT (4 Req.) | S23715 |
| 810B | Plug, Pipe 1/2 NPT | S23717 |
| 811 | Fitting, Grease | S23700 |

Table I

| B/M No. | HP | PH | RPM | "U" Dim. | Imp. Dia. | Imp. No. |
|---------|----|----|------|----------|-----------|----------|
| B55588 | 30 | 3 | 3600 | 1-1/4" | 7.12" | M07714 |
| B55589 | 40 | 3 | 3600 | 1-1/4" | 7.81" | M07715 |
| B55541 | 50 | 3 | 3600 | 1-1/4" | 8.31" | M07716 |
| B55542 | 60 | 3 | 3600 | 1-1/4" | 8.81" | M07717 |

Table II

| HP | PH | Bracket No. | "AK" Fit | "U" Dim. | Motor Frame |
|----|----|-------------|----------|----------|-------------|
| 30 | 3 | L05511 | 12-1/2" | 1-1/4" | 284JP |
| 40 | 3 | L05511 | 12-1/2" | 1-1/4" | 286JP |
| 50 | 3 | L05511 | 12-1/2" | 1-1/4" | 324JP |
| 60 | 3 | L05511 | 12-1/2" | 1-1/4" | 326JP |

NOTE 1: For an explanation of the tabulated material found on this page and for impeller key location, refer to *Supplement A* located at the beginning of this section.

NOTE 2: Also accepts gasket S05126 as replacement for o-ring. See *Supplement E* located at the beginning of this section.



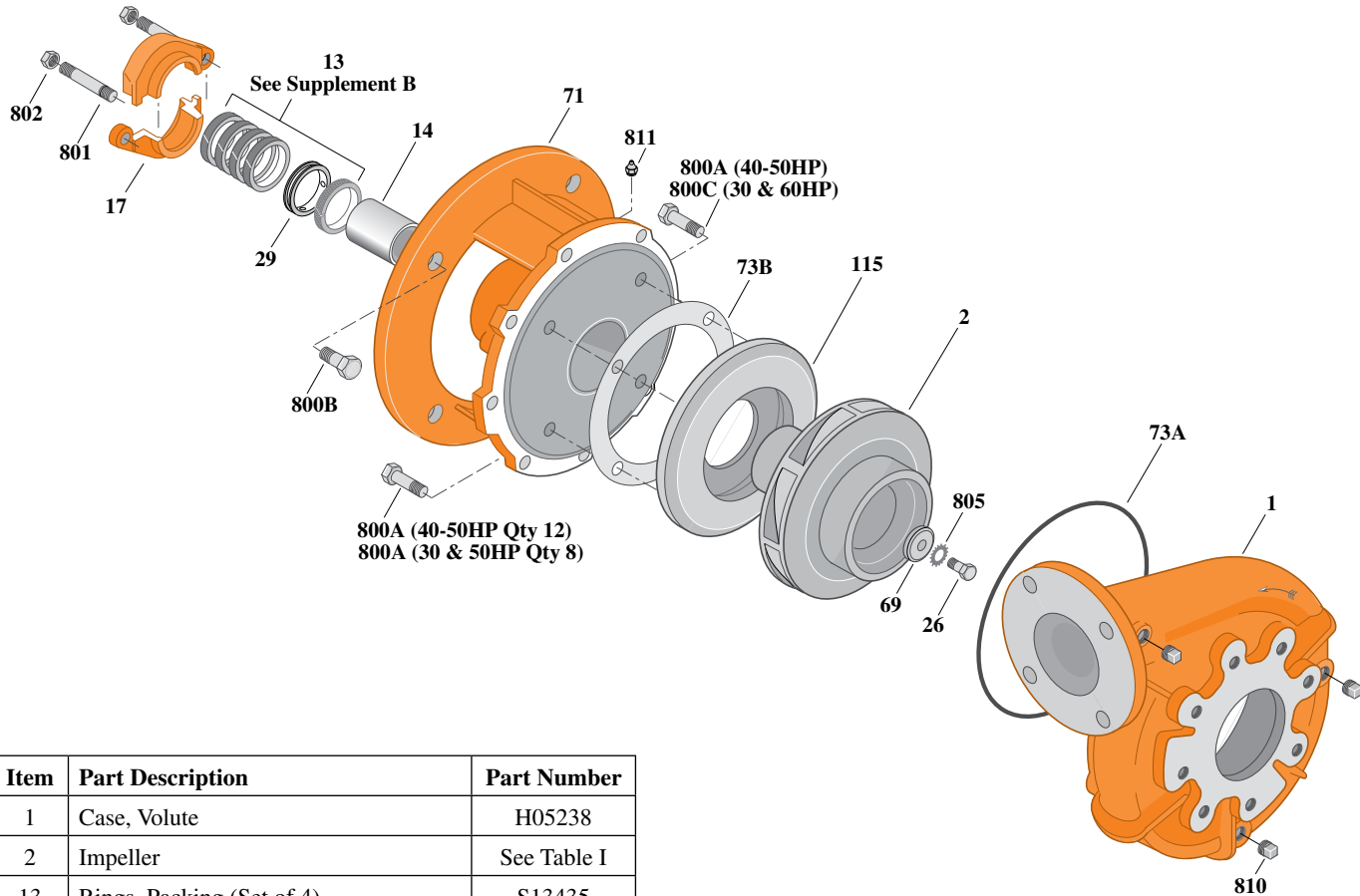
Type "B" Single Stage Centrifugal Pump Electric Motor Drive

| | |
|-------------------|--------------|
| Section | CC |
| Page | 200.2 |
| Date | July 1, 2011 |
| Supersedes 1/1/04 | |

CAST IRON IMPELLERB3ZPBH

Flanged Case

Packing Construction



| Item | Part Description | Part Number |
|------|--------------------------------------|--------------|
| 1 | Case, Volute | H05238 |
| 2 | Impeller | See Table I |
| 13 | Rings, Packing (Set of 4) | S13435 |
| 14 | Sleeve, Shaft | S05149L |
| 17 | Gland, Packing | B82470 |
| 26 | Screw, Impeller 1/2 - 13 x 1-3/4" | S23625 |
| 29 | Ring, Lantern | S19200 |
| 32 | Key, 1/4 x 2-1/4" (See Note 1) | S23677 |
| 69 | Washer, Impeller | S18117 |
| 71 | Bracket | See Table II |
| 73A | O-Ring (See Note 2) | M14943 |
| 73B | Gasket, Balance Ring | S09943 |
| 115 | Ring, Balance | S19904 |
| 800A | Capscrew, 3/8 - 16 x 1" (12 Req.) | S26826 |
| 800B | Capscrew, 5/8 - 11 x 1-1/2" (4 Req.) | S26999 |
| 801 | Stud, 3/8 - 16 x 4" (2 Req.) | S08303 |
| 802 | Nut, Hex 3/8 - 16 (2 Req.) | S23343 |
| 805 | Washer, Lock | S23038 |
| 810 | Plug, Pipe 1/4 NPT (4 Req.) | S23715 |
| 811 | Fitting, Grease | S23700 |

Table I

| B/M No. | HP | PH | RPM | "U" Dim. | Imp. Dia. | Imp. No. |
|---------|----|----|------|----------|-----------|----------|
| B70252 | 30 | 3 | 3600 | 1-1/4" | 7.12" | M07714 |
| B70255 | 40 | 3 | 3600 | 1-1/4" | 7.81" | M07715 |
| B70258 | 50 | 3 | 3600 | 1-1/4" | 8.31" | M07716 |
| B70260 | 60 | 3 | 3600 | 1-1/4" | 8.81" | M07717 |

Table II

| HP | PH | Bracket No. | "AK" Fit | "U" Dim. | Motor Frame |
|----|----|-------------|----------|----------|-------------|
| 30 | 3 | L05511 | 12-1/2" | 1-1/4" | 284JP |
| 40 | 3 | L05511 | 12-1/2" | 1-1/4" | 286JP |
| 50 | 3 | L05511 | 12-1/2" | 1-1/4" | 324JP |
| 60 | 3 | L05511 | 12-1/2" | 1-1/4" | 326JP |

NOTE 1: For an explanation of the tabulated material found on this page and for impeller key location, refer to *Supplement A* located at the beginning of this section.

NOTE 2: Also accepts gasket S05126 as replacement for o-ring. See *Supplement E* located at the beginning of this section.



Type "B" Single Stage Centrifugal Pump Electric Motor Drive

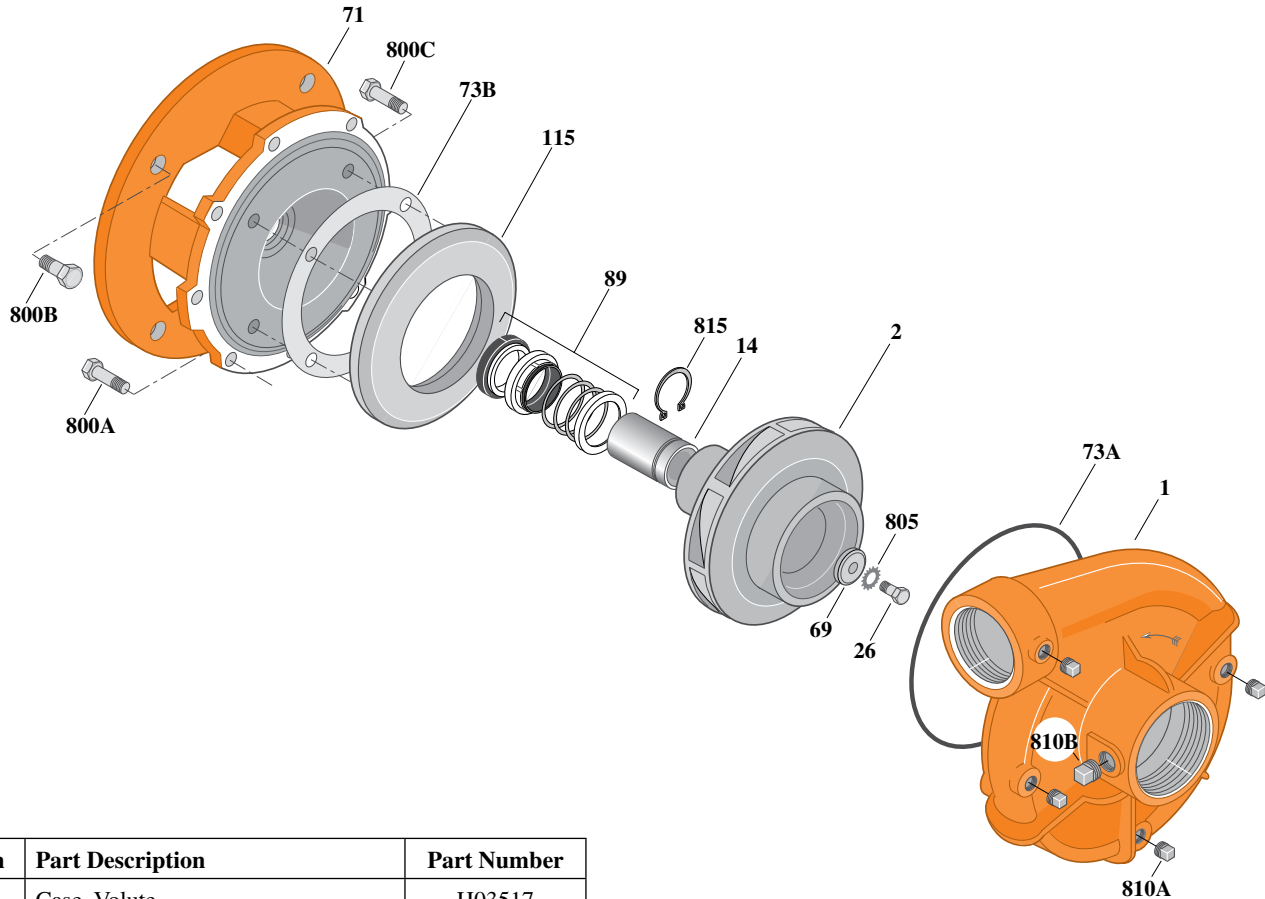
| | |
|-------------------|--------------|
| Section | CC |
| Page | 200.3 |
| Date | July 1, 2011 |
| Supersedes 1/1/04 | |

CAST IRON IMPELLER

B3ZPBHS

Threaded Case (NPT)

Mechanical Shaft Seal Construction



| Item | Part Description | Part Number |
|------|--------------------------------------|--------------|
| 1 | Case, Volute | H03517 |
| 2 | Impeller | See Table I |
| 14 | Sleeve, Shaft | S18869L |
| 26 | Screw, Impeller 1/2 - 13 x 1-3/4" | S23625 |
| 32 | Key, 1/4 x 2-1/4" (See Note 1) | S23677 |
| 69 | Washer, Impeller | S18117 |
| 71 | Bracket | See Table II |
| 73A | O-Ring (See Note 2) | M14943 |
| 73B | Gasket, Balance Ring | S09943 |
| 89 | Seal, Mechanical Shaft | S32015 |
| 115 | Ring, Balance | S19911 |
| 800A | Capscrew, 3/8 - 16 x 1" (8 Req.) | S26826 |
| 800B | Capscrew, 5/8 - 11 x 1-1/2" (4 Req.) | S26999 |
| 800C | Capscrew, 3/8 - 16 x 7/8" (4 Req.) | S26825 |
| 805 | Washer, Lock | S23038 |
| 810A | Plug, Pipe 1/4 NPT (4 Req.) | S23715 |
| 810B | Plug, Pipe 1/2 NPT | S23717 |
| 815 | Ring, Retaining | S16767 |

Table I

| B/M No. | HP | PH | RPM | "U" Dim. | Imp. Dia. | Imp. No. |
|---------|----|----|------|----------|-----------|----------|
| B55543 | 30 | 3 | 3600 | 1-1/4" | 7.12" | M07714 |
| B55544 | 40 | 3 | 3600 | 1-1/4" | 7.81" | M07715 |
| B55545 | 50 | 3 | 3600 | 1-1/4" | 8.31" | M07716 |
| B55548 | 60 | 3 | 3600 | 1-1/4" | 8.81" | M07717 |

Table II

| HP | PH | Bracket No. | "AK" Fit | "U" Dim. | Motor Frame |
|----|----|-------------|----------|----------|-------------|
| 30 | 3 | L05515 | 12-1/2" | 1-1/4" | 284JM |
| 40 | 3 | L05515 | 12-1/2" | 1-1/4" | 286JM |
| 50 | 3 | L05515 | 12-1/2" | 1-1/4" | 324JM |
| 60 | 3 | L05515 | 12-1/2" | 1-1/4" | 326JM |

NOTE 1: For an explanation of the tabulated material found on this page and for impeller key location, refer to *Supplement A* located at the beginning of this section.

NOTE 2: Also accepts gasket S05126 as replacement for o-ring. See *Supplement E* located at the beginning of this section.



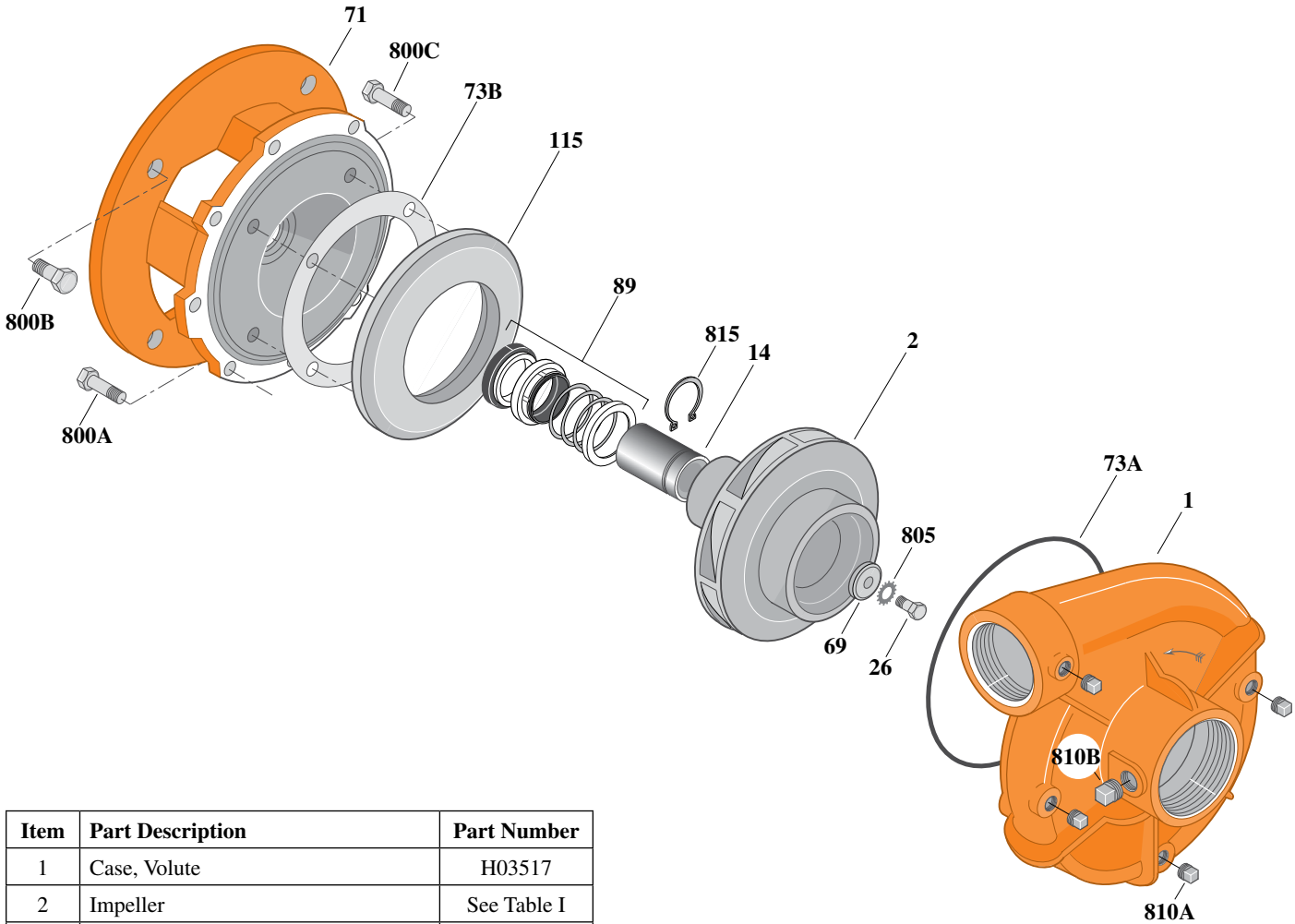
Type "B" Single Stage Centrifugal Pump Electric Motor Drive

| | |
|-------------------|--------------|
| Section | CC |
| Page | 200.4 |
| Date | July 1, 2011 |
| Supersedes 1/1/04 | |

CAST IRON IMPELLERB3ZPBHS

Threaded Case (NPT)

Mechanical Shaft Seal Construction



| Item | Part Description | Part Number |
|------|--------------------------------------|--------------|
| 1 | Case, Volute | H03517 |
| 2 | Impeller | See Table I |
| 14 | Sleeve, Shaft | M09669L |
| 26 | Screw, Impeller 1/2 - 13 x 1-1/2" | S23623 |
| 32 | Key, 3/8 x 2-1/4" (See Note 1) | S23940 |
| 69 | Washer, Impeller | S18801 |
| 71 | Bracket | See Table II |
| 73A | O-Ring (See Note 2) | M14943 |
| 73B | Gasket, Balance Ring | S09943 |
| 89 | Seal, Mechanical Shaft | S39264 |
| 115 | Ring, Balance | S19911 |
| 800A | Capscrew, 3/8 - 16 x 1" (12 Req.) | S26826 |
| 800B | Capscrew, 5/8 - 11 x 1-1/2" (4 Req.) | S26999 |
| 805 | Washer, Lock | S23038 |
| 810A | Plug, Pipe 1/4 NPT (4 Req.) | S23715 |
| 810B | Plug, Pipe 1/2 NPT | S23717 |
| 815 | Ring, Retaining | S18136 |

Table I

| B/M No. | HP | PH | RPM | "U" Dim. | Imp. Dia. | Imp. No. |
|---------|----|----|------|----------|-----------|----------|
| B68423 | 75 | 3 | 3600 | 1-5/8" | 9.00" | M06797 |

Table II

| HP | PH | Bracket No. | "AK" Fit | "U" Dim. | Motor Frame |
|----|----|-------------|----------|----------|-------------|
| 75 | 3 | H04088 | 12-1/2" | 1-5/8" | 364JP |

NOTE 1: For an explanation of the tabulated material found on this page and for impeller key location, refer to *Supplement A* located at the beginning of this section.

NOTE 2: Also accepts gasket S05126 as replacement for o-ring. See *Supplement E* located at the beginning of this section.



Type "B" Single Stage Centrifugal Pump Electric Motor Drive

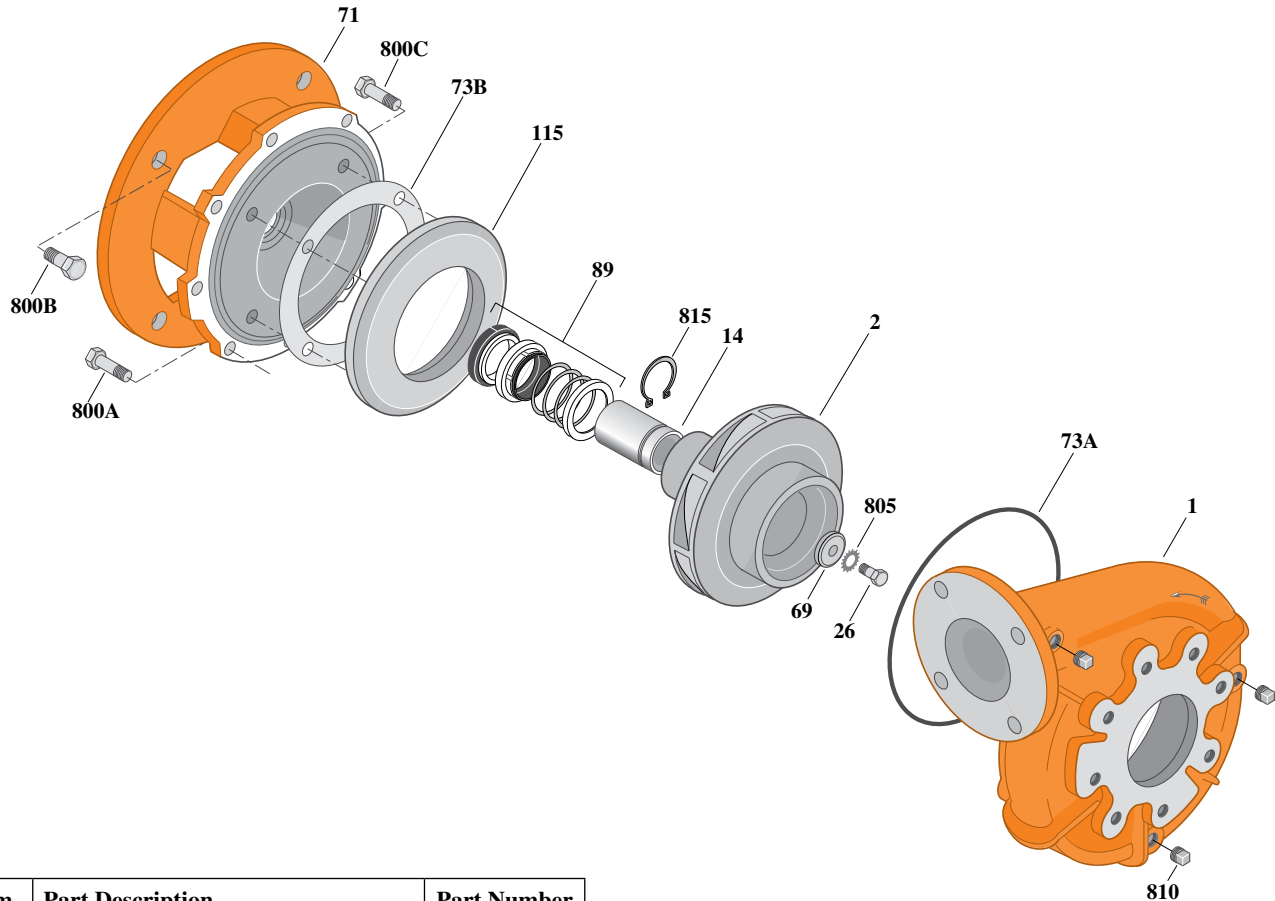
| | |
|-------------------|--------------|
| Section | CC |
| Page | 200.5 |
| Date | July 1, 2011 |
| Supersedes 1/1/04 | |

CAST IRON IMPELLER

B3ZPBHS

Flanged Case

Mechanical Shaft Seal Construction



| Item | Part Description | Part Number |
|------|--------------------------------------|--------------|
| 1 | Case, Volute | H05238 |
| 2 | Impeller | See Table I |
| 14 | Sleeve, Shaft | S18869L |
| 26 | Screw, Impeller 1/2 - 13 x 1-3/4" | S23625 |
| 32 | Key, 1/4 x 2-1/4" (See Note 1) | S23677 |
| 69 | Washer, Impeller | S18117 |
| 71 | Bracket | See Table II |
| 73A | O-Ring (See Note 2) | M14943 |
| 73B | Gasket, Balance Ring | S09943 |
| 89 | Seal, Mechanical Shaft | S32015 |
| 115 | Ring, Balance | S19911 |
| 800A | Capscrew, 3/8 - 16 x 1" (8 Req.) | S26826 |
| 800B | Capscrew, 5/8 - 11 x 1-1/2" (4 Req.) | S26999 |
| 800C | Capscrew, 3/8 - 16 x 7/8" (4 Req.) | S26825 |
| 805 | Washer, Lock | S23038 |
| 810 | Plug, Pipe 1/4 NPT (4 Req.) | S23715 |
| 815 | Ring, Retaining | S16767 |

Table I

| B/M No. | HP | PH | RPM | "U" Dim. | Imp. Dia. | Imp. No. |
|---------|----|----|------|----------|-----------|----------|
| B70263 | 30 | 3 | 3600 | 1-1/4" | 7.12" | M07714 |
| B70266 | 40 | 3 | 3600 | 1-1/4" | 7.81" | M07715 |
| B70269 | 50 | 3 | 3600 | 1-1/4" | 8.31" | M07716 |
| B70272 | 60 | 3 | 3600 | 1-1/4" | 8.81" | M07717 |

Table II

| HP | PH | Bracket No. | "AK" Fit | "U" Dim. | Motor Frame |
|----|----|-------------|----------|----------|-------------|
| 30 | 3 | L05515 | 12-1/2" | 1-1/4" | 284JM |
| 40 | 3 | L05515 | 12-1/2" | 1-1/4" | 286JM |
| 50 | 3 | L05515 | 12-1/2" | 1-1/4" | 324JM |
| 60 | 3 | L05515 | 12-1/2" | 1-1/4" | 326JM |

NOTE 1: For an explanation of the tabulated material found on this page and for impeller key location, refer to *Supplement A* located at the beginning of this section.

NOTE 2: Also accepts gasket S05126 as replacement for o-ring. See *Supplement E* located at the beginning of this section.



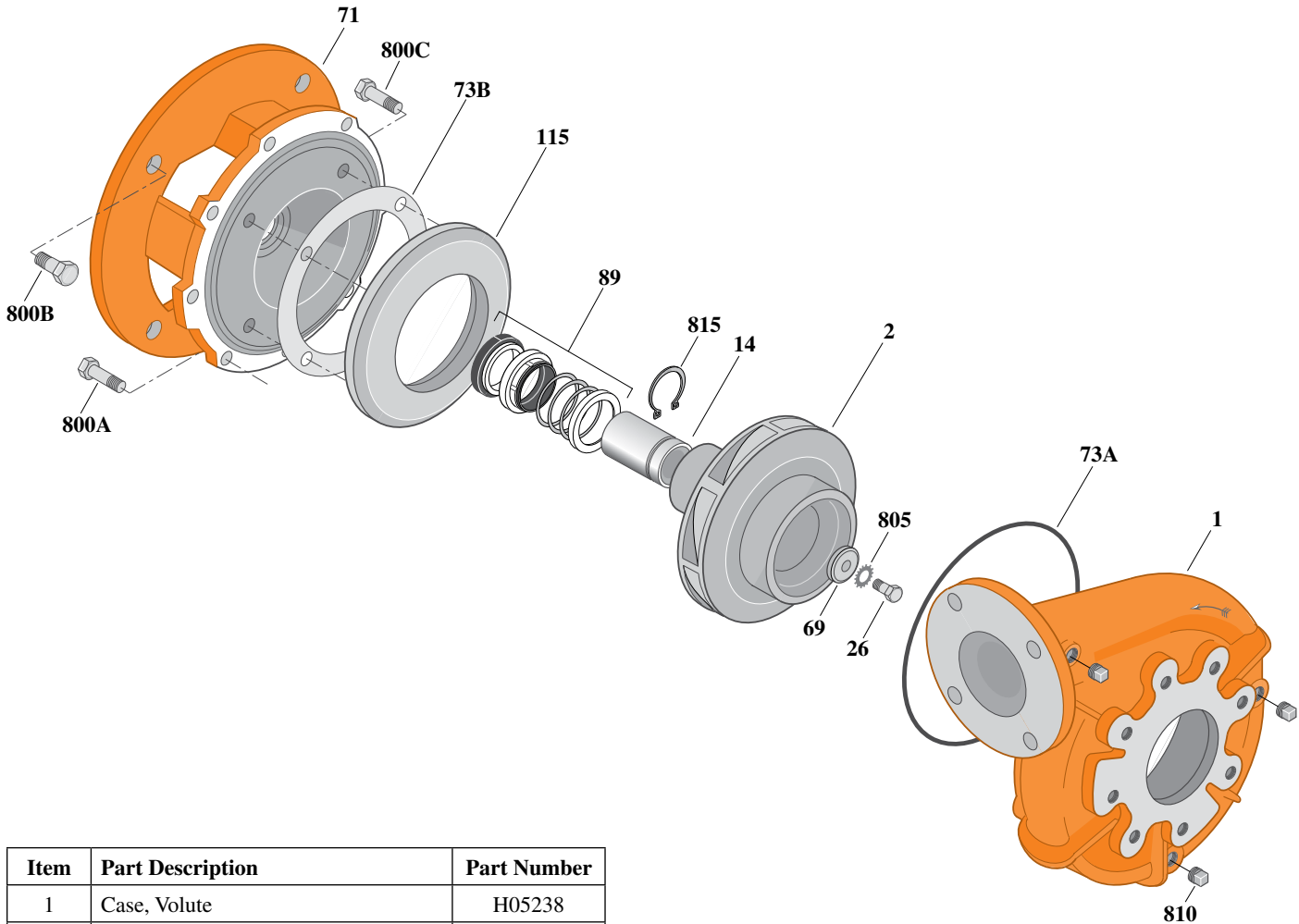
Type "B" Single Stage Centrifugal Pump Electric Motor Drive

| | |
|-------------------|--------------|
| Section | CC |
| Page | 200.6 |
| Date | July 1, 2011 |
| Supersedes 1/1/04 | |

CAST IRON IMPELLERB3ZPBHS

Flanged Case

Mechanical Shaft Seal Construction



| Item | Part Description | Part Number |
|------|--------------------------------------|--------------|
| 1 | Case, Volute | H05238 |
| 2 | Impeller | See Table I |
| 14 | Sleeve, Shaft | M09669L |
| 26 | Screw, Impeller 1/2 - 13 x 1-1/2" | S23623 |
| 32 | Key, 3/8 x 2-1/4" (See Note 1) | S23940 |
| 69 | Washer, Impeller | S18801 |
| 71 | Bracket | See Table II |
| 73A | O-Ring (See Note 2) | M14943 |
| 73B | Gasket, Balance Ring | S09943 |
| 89 | Seal, Mechanical Shaft | S39264 |
| 115 | Ring, Balance | S19911 |
| 800A | Capscrew, 3/8 - 16 x 1" (12 Req.) | S26826 |
| 800B | Capscrew, 5/8 - 11 x 1-1/2" (4 Req.) | S26999 |
| 805 | Washer, Lock | S23038 |
| 810 | Plug, Pipe (4 Req.) | S23715 |
| 815 | Ring, Retaining | S18136 |

Table I

| B/M No. | HP | PH | RPM | "U" Dim. | Imp. Dia. | Imp. No. |
|---------|----|----|------|----------|-----------|----------|
| B70275 | 75 | 3 | 3600 | 1-5/8" | 9.00" | M06797 |

Table II

| HP | PH | Bracket No. | "AK" Fit | "U" Dim. | Motor Frame |
|----|----|-------------|----------|----------|-------------|
| 75 | 3 | H04088 | 12-1/2" | 1-5/8" | 364JP |

NOTE 1: For an explanation of the tabulated material found on this page and for impeller key location, refer to *Supplement A* located at the beginning of this section.

NOTE 2: Also accepts gasket S05126 as replacement for o-ring. See *Supplement E* located at the beginning of this section.



Type "B" Single Stage Centrifugal Pump Electric Motor Drive

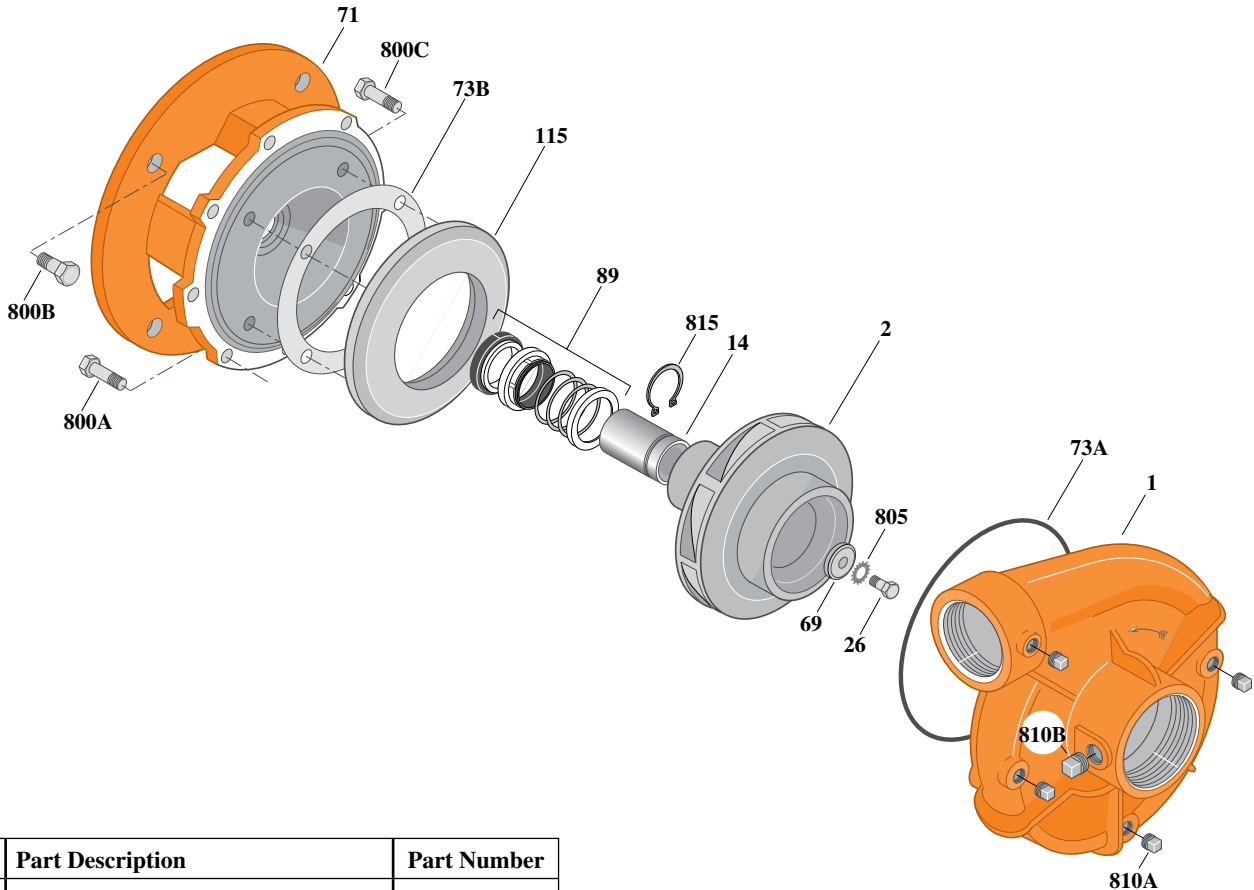
| | |
|-------------------|--------------|
| Section | CC |
| Page | 200.7 |
| Date | July 1, 2011 |
| Supersedes 1/1/04 | |

BRONZE IMPELLER

B3ZPBHS

Threaded Case (NPT)

Mechanical Shaft Seal Construction



| Item | Part Description | Part Number |
|------|--------------------------------------|--------------|
| 1 | Case, Volute | H03517 |
| 2 | Impeller | See Table I |
| 14 | Sleeve, Shaft | S18869L |
| 26 | Screw, Impeller 1/2 - 13 x 1-3/4" | S23625 |
| 32 | Key, 1/4 x 2-1/4" (See Note 1) | S23677 |
| 69 | Washer, Impeller | S18117 |
| 71 | Bracket | See Table II |
| 73A | O-Ring (See Note 2) | M14943 |
| 73B | Gasket, Balance Ring | S09943 |
| 89 | Seal, Mechanical Shaft | S32015 |
| 115 | Ring, Balance | S19911 |
| 800A | Capscrew, 3/8 - 16 x 1" (8 Req.) | S26826 |
| 800B | Capscrew, 5/8 - 11 x 1-1/2" (4 Req.) | S26999 |
| 800C | Capscrew, 3/8 - 16 x 7/8" (4 Req.) | S26825 |
| 805 | Washer, Lock | S23038 |
| 810A | Plug, Pipe 1/4 NPT (4 Req.) | S23715 |
| 810B | Plug, Pipe 1/2 NPT | S23717 |
| 815 | Ring, Retaining | S16767 |

Table I

| B/M No. | HP | PH | RPM | "U" Dim. | Imp. Dia. | Imp. No. |
|---------|----|----|------|----------|-----------|----------|
| B77195 | 30 | 3 | 3600 | 1-1/4" | 7.12" | M11550 |
| B77198 | 40 | 3 | 3600 | 1-1/4" | 7.81" | M11551 |
| B77201 | 50 | 3 | 3600 | 1-1/4" | 8.31" | M11552 |
| B77204 | 60 | 3 | 3600 | 1-1/4" | 8.81" | M11553 |

Table II

| HP | PH | Bracket No. | "AK" Fit | "U" Dim. | Motor Frame |
|----|----|-------------|----------|----------|-------------|
| 30 | 3 | L05515 | 12-1/2" | 1-1/4" | 284JM |
| 40 | 3 | L05515 | 12-1/2" | 1-1/4" | 286JM |
| 50 | 3 | L05515 | 12-1/2" | 1-1/4" | 324JM |
| 60 | 3 | L05515 | 12-1/2" | 1-1/4" | 326JM |

NOTE 1: For an explanation of the tabulated material found on this page and for impeller key location, refer to *Supplement A* located at the beginning of this section.

NOTE 2: Also accepts gasket S05126 as replacement for o-ring. See *Supplement E* located at the beginning of this section.



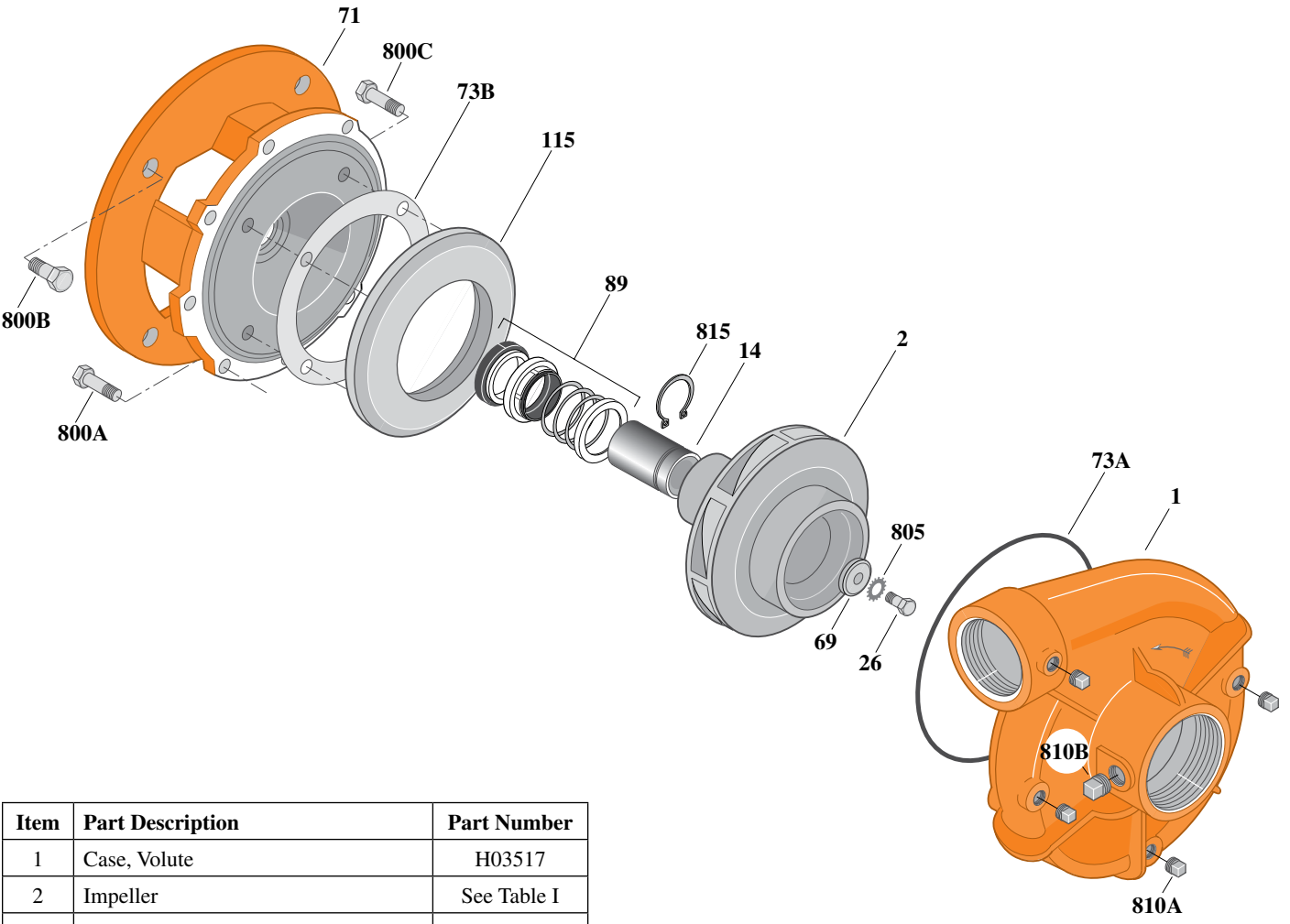
Type "B" Single Stage Centrifugal Pump Electric Motor Drive

| | |
|-------------------|--------------|
| Section | CC |
| Page | 200.8 |
| Date | July 1, 2011 |
| Supersedes 1/1/04 | |

BRONZE IMPELLER B3ZPBHS

Threaded Case (NPT)

Mechanical Shaft Seal Construction



| Item | Part Description | Part Number |
|------|--------------------------------------|--------------|
| 1 | Case, Volute | H03517 |
| 2 | Impeller | See Table I |
| 14 | Sleeve, Shaft | M09669L |
| 26 | Screw, Impeller 1/2 - 13 x 1-1/2" | S23623 |
| 32 | Key, 3/8 x 2-1/4" (See Note 1) | S23940 |
| 69 | Washer, Impeller | S18801 |
| 71 | Bracket | See Table II |
| 73A | O-Ring (See Note 2) | M14943 |
| 73B | Gasket, Balance Ring | S09943 |
| 89 | Seal, Mechanical Shaft | S39264 |
| 115 | Ring, Balance | S19911 |
| 800A | Capscrew, 3/8 - 16 x 1" (12 Req.) | S26826 |
| 800B | Capscrew, 5/8 - 11 x 1-1/2" (4 Req.) | S26999 |
| 805 | Washer, Lock | S23038 |
| 810A | Plug, Pipe 1/4 NPT (4 Req.) | S23715 |
| 810B | Plug, Pipe 1/2 NPT | S23717 |
| 815 | Ring, Retaining | S18136 |

Table I

| B/M No. | HP | PH | RPM | "U" Dim. | Imp. Dia. | Imp. No. |
|---------|----|----|------|----------|-----------|----------|
| B77207 | 75 | 3 | 3600 | 1-5/8" | 9.00" | M11549 |

Table II

| HP | PH | Bracket No. | "AK" Fit | "U" Dim. | Motor Frame |
|----|----|-------------|----------|----------|-------------|
| 75 | 3 | H04088 | 12-1/2" | 1-5/8" | 364JP |

NOTE 1: For an explanation of the tabulated material found on this page and for impeller key location, refer to *Supplement A* located at the beginning of this section.

NOTE 2: Also accepts gasket S05126 as replacement for o-ring. See *Supplement E* located at the beginning of this section.



Type "B" Single Stage Centrifugal Pump Electric Motor Drive

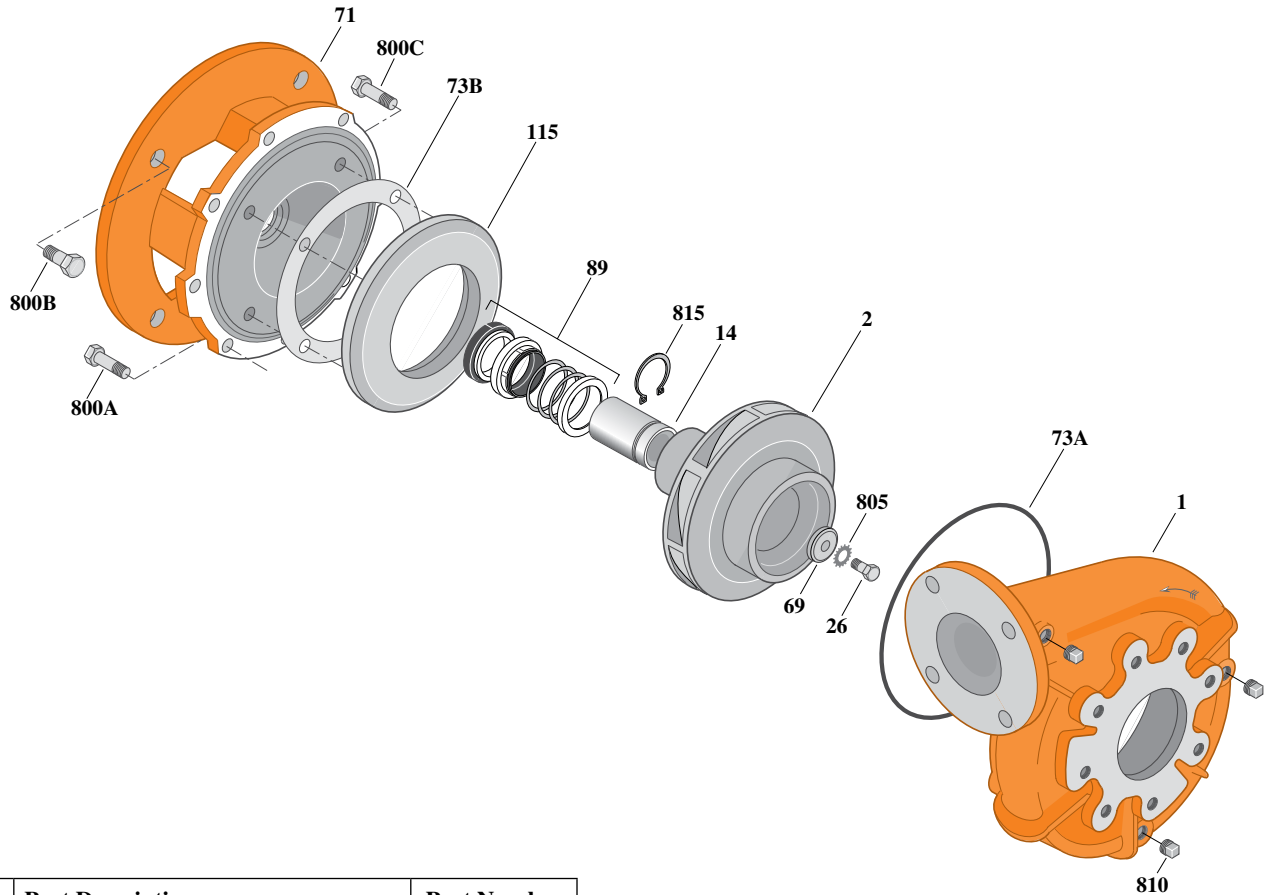
| | |
|-------------------|--------------|
| Section | CC |
| Page | 200.9 |
| Date | July 1, 2011 |
| Supersedes 1/1/04 | |

BRONZE IMPELLER

B3ZPBHS

Flanged Case

Mechanical Shaft Seal Construction



| Item | Part Description | Part Number |
|------|--------------------------------------|--------------|
| 1 | Case, Volute | H05238 |
| 2 | Impeller | See Table I |
| 14 | Sleeve, Shaft | S18869L |
| 26 | Screw, Impeller 1/2 - 13 x 1-3/4" | S23625 |
| 32 | Key, 1/4 x 2-1/4" (See Note 1) | S23677 |
| 69 | Washer, Impeller | S18117 |
| 71 | Bracket | See Table II |
| 73A | O-Ring (See Note 2) | M14943 |
| 73B | Gasket, Balance Ring | S09943 |
| 89 | Seal, Mechanical Shaft | S32015 |
| 115 | Ring, Balance | S19911 |
| 800A | Capscrew, 3/8 - 16 x 1" (8 Req.) | S26826 |
| 800B | Capscrew, 5/8 - 11 x 1-1/2" (4 Req.) | S26999 |
| 800C | Capscrew, 3/8 - 16 x 7/8" (4 Req.) | S26825 |
| 805 | Washer, Lock | S23038 |
| 810 | Plug, Pipe 1/4 NPT (4 Req.) | S23715 |
| 815 | Ring, Retaining | S16767 |

Table I

| B/M No. | HP | PH | RPM | "U" Dim. | Imp. Dia. | Imp. No. |
|---------|----|----|------|----------|-----------|----------|
| B76758 | 30 | 3 | 3600 | 1-1/4" | 7.12" | M11550 |
| B76759 | 40 | 3 | 3600 | 1-1/4" | 7.81" | M11551 |
| B76760 | 50 | 3 | 3600 | 1-1/4" | 8.31" | M11552 |
| B76761 | 60 | 3 | 3600 | 1-1/4" | 8.81" | M11553 |

Table II

| HP | PH | Bracket No. | "AK" Fit | "U" Dim. | Motor Frame |
|----|----|-------------|----------|----------|-------------|
| 30 | 3 | L05515 | 12-1/2" | 1-1/4" | 284JM |
| 40 | 3 | L05515 | 12-1/2" | 1-1/4" | 286JM |
| 50 | 3 | L05515 | 12-1/2" | 1-1/4" | 324JM |
| 60 | 3 | L05515 | 12-1/2" | 1-1/4" | 326JM |

NOTE 1: For an explanation of the tabulated material found on this page and for impeller key location, refer to *Supplement A* located at the beginning of this section.

NOTE 2: Also accepts gasket S05126 as replacement for o-ring. See *Supplement E* located at the beginning of this section.



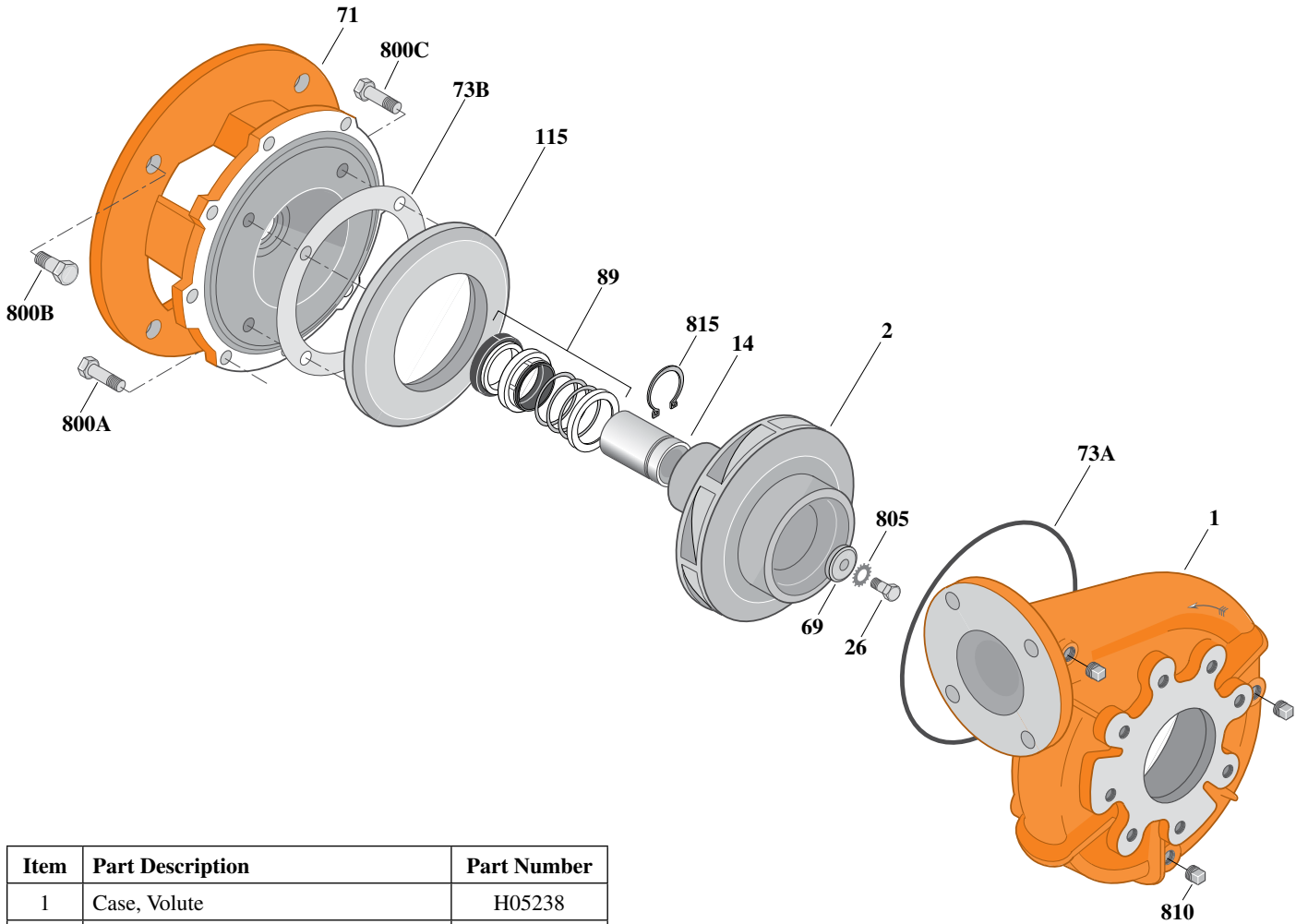
Type "B" Single Stage Centrifugal Pump Electric Motor Drive

| | |
|-------------------|--------------|
| Section | CC |
| Page | 200.10 |
| Date | July 1, 2011 |
| Supersedes 1/1/04 | |

BRONZE IMPELLERB3ZPBHS

Flanged Case

Mechanical Shaft Seal Construction



| Item | Part Description | Part Number |
|------|--------------------------------------|--------------|
| 1 | Case, Volute | H05238 |
| 2 | Impeller | See Table I |
| 14 | Sleeve, Shaft | M09669L |
| 26 | Screw, Impeller 1/2 - 13 x 1-1/2" | S23623 |
| 32 | Key, 3/8 x 2-1/4" (See Note 1) | S23940 |
| 69 | Washer, Impeller | S18801 |
| 71 | Bracket | See Table II |
| 73A | O-Ring (See Note 2) | M14943 |
| 73B | Gasket, Balance Ring | S09943 |
| 89 | Seal, Mechanical Shaft | S39264 |
| 115 | Ring, Balance | S19911 |
| 800A | Capscrew, 3/8 - 16 x 1" (12 Req.) | S26826 |
| 800B | Capscrew, 5/8 - 11 x 1-1/2" (4 Req.) | S26999 |
| 805 | Washer, Lock | S23038 |
| 810 | Plug, Pipe (4 Req.) | S23715 |
| 815 | Ring, Retaining | S18136 |

Table I

| B/M No. | HP | PH | RPM | "U" Dim. | Imp. Dia. | Imp. No. |
|---------|----|----|------|----------|-----------|----------|
| B76762 | 75 | 3 | 3600 | 1-5/8" | 9.00" | M11549 |

Table II

| HP | PH | Bracket No. | "AK" Fit | "U" Dim. | Motor Frame |
|----|----|-------------|----------|----------|-------------|
| 75 | 3 | H04088 | 12-1/2" | 1-5/8" | 364JP |

NOTE 1: For an explanation of the tabulated material found on this page and for impeller key location, refer to *Supplement A* located at the beginning of this section.

NOTE 2: Also accepts gasket S05126 as replacement for o-ring. See *Supplement E* located at the beginning of this section.



TYPE "B" SINGLE STAGE CENTRIFUGAL PUMP Bearing Frame Mount

| | |
|----------------|----------------|
| Section | FM |
| Page | 205.1 |
| Date | August 1, 1997 |
| Supersedes/New | |

SILICON BRONZE IMPELLER

B4GRMBH

Flanged Case

Packing Construction

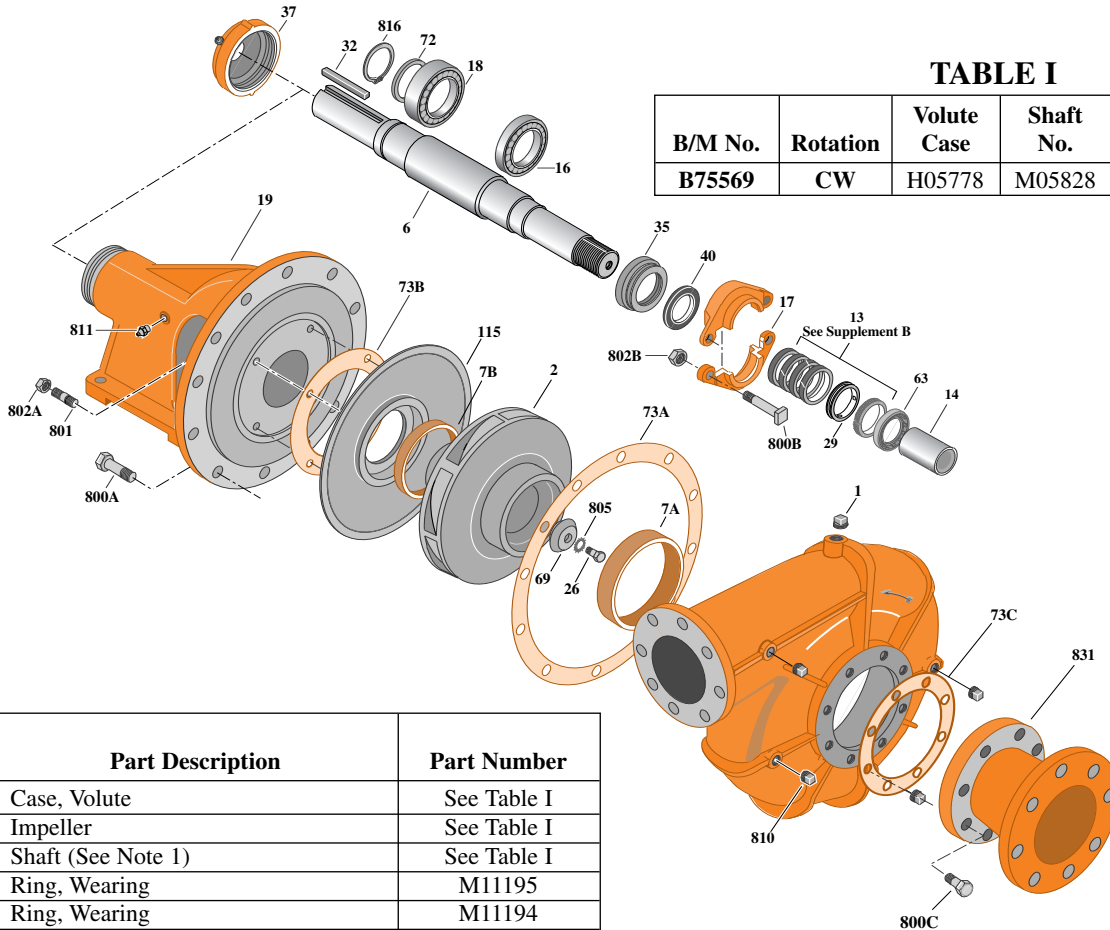


TABLE I

| B/M No. | Rotation | Volute Case | Shaft No. | Impeller | Impeller Diameter |
|---------------|-----------|-------------|-----------|----------|-------------------|
| B75569 | CW | H05778 | M05828 | H05882 | 12.75" |

| Item No. | Part Description | Part Number |
|----------|--------------------------------------|-------------|
| 1 | Case, Volute | See Table I |
| 2 | Impeller | See Table I |
| 6 | Shaft (See Note 1) | See Table I |
| 7A | Ring, Wearing | M11195 |
| 7B | Ring, Wearing | M11194 |
| 13 | Ring, Packing (Set of 4) | S13436 |
| 14 | Sleeve, Shaft | S05974 |
| 16 | Bearing, Ball | S15604 |
| 17 | Gland, Packing | M03733 |
| 18 | Bearing, Ball | S13396 |
| 19 | Frame | H01599 |
| 26 | Screw, Impeller 1/2-13x1-3/4" | S23625 |
| 29 | Ring, Lantern | S18993 |
| 32 | Key, 1/26x4" | S24214 |
| 35 | Inner Bearing Cap | S05928 |
| 37 | Outer Bearing Cap Assembly* | S35277 |
| 40 | Slinger, Water | S10964 |
| 63 | Bushing, Throat | S18992 |
| 69 | Washer, Impeller | S06319 |
| 72 | Ring, Thrust | S06519 |
| 73A | Gasket, Volute | S06271 |
| 73B | Gasket, Balance Ring | S09943 |
| 73C | Gasket, Reducer | S10367 |
| 115 | Ring, Balance | H05781 |
| 800A | Capscrew, Hex 5/8-11x1-1/2"(12 Req.) | S26999 |

| Item No. | Part Description | Part Number |
|----------|---------------------------------------|-------------|
| 800B | Bolt, Sq. Head 1/2-13x2-3/4" (2 Req.) | S23794 |
| 800C | Capscrew, Hex 3/4-10x1-3/4"(8 Req.) | S27327 |
| 801 | Stud, 3/8-16x1-3/8" (4 Req.) | S09942 |
| 802A | Nut, Hex 3/8-16 (4 Req.) | S23103 |
| 802B | Nut, Hex 1/2-13x7/16" (2 Req.) | S23347 |
| 805 | Washer, Lock | S23038 |
| 810 | Plug, Pipe 1/2 NPT (6 Req.) | S23717 |
| 811 | Fitting, Grease (2 Req.) | S23670 |
| 816 | Ring, Retaining | S23016 |
| 831 | Reducer, Eccentric | H05780 |

1. A **Shaft Replacement Kit** is available for this model. Berkeley part number **B07596** for CW, **B07597** for CCW. Refer to Supplement Sheet C2 for breakdown of shaft kit components.

* Includes grease fitting.



TYPE "B" SINGLE STAGE CENTRIFUGAL PUMP Bearing Frame Mount

| | |
|----------------|----------------|
| Section | FM |
| Page | 205.2 |
| Date | August 1, 1997 |
| Supersedes/New | |

SILICON BRONZE IMPELLER

B4GRMBHS

Flanged Case

Mechanical Seal Construction

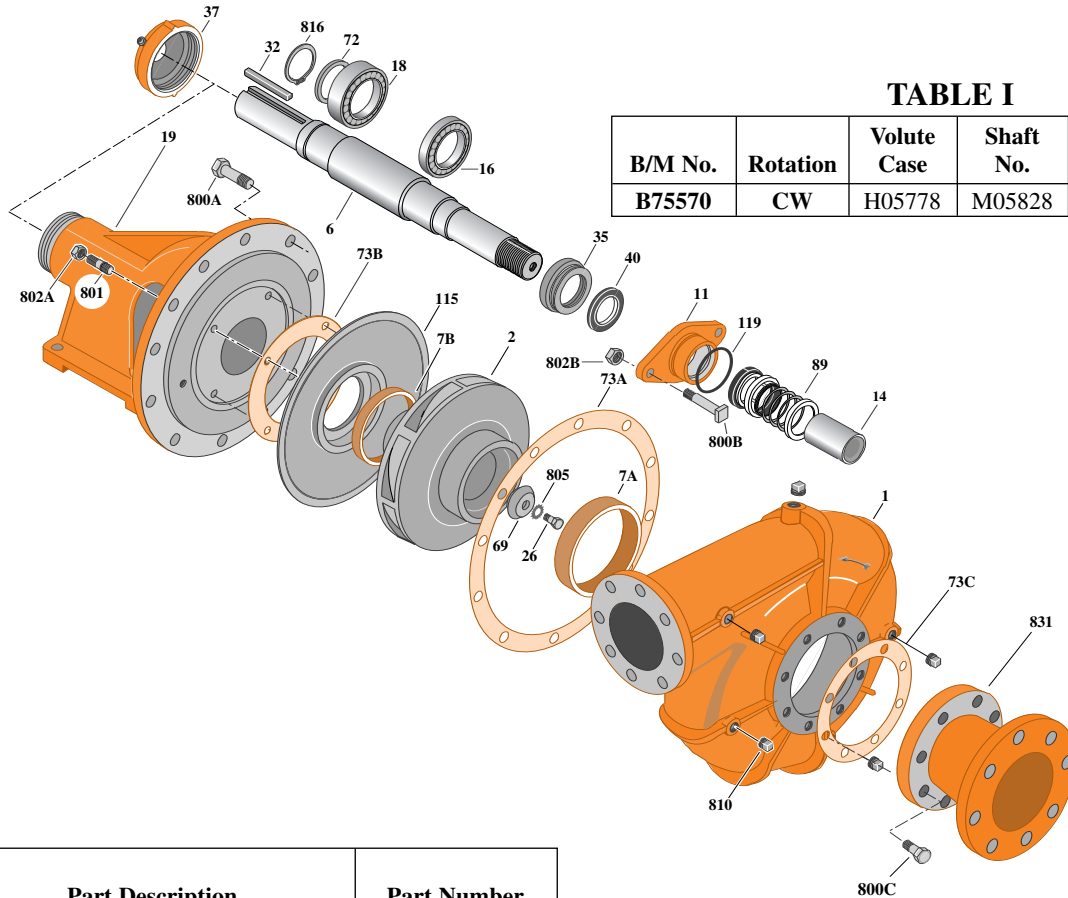


TABLE I

| B/M No. | Rotation | Volute Case | Shaft No. | Impeller | Impeller Diameter |
|---------------|-----------|-------------|-----------|----------|-------------------|
| B75570 | CW | H05778 | M05828 | H05882 | 12.75" |

| Item No. | Part Description | Part Number |
|----------|---------------------------------|-------------|
| 1 | Case, Volute | See Table I |
| 2 | Impeller | See Table I |
| 6 | Shaft (See Note 1) | See Table I |
| 7A | Ring, Wearing | M11195 |
| 7B | Ring, Wearing | M11194 |
| 11 | Retainer, Mechanical Shaft Seal | S11452 |
| 14 | Sleeve, Shaft | S05974 |
| 16 | Bearing, Ball | S13396 |
| 18 | Bearing, Ball | S15604 |
| 19 | Frame | H01838 |
| 26 | Screw, Impeller 1/2-13x1-3/4" | S23625 |
| 32 | Key, 1/2x4" | S24214 |
| 35 | Inner Bearing Cap | S05928 |
| 37 | Outer Bearing Cap Assembly* | S35277 |
| 40 | Slinger, Water | S10964 |
| 69 | Washer, Impeller | S06319 |
| 72 | Ring, Thrust | S06519 |
| 73A | Gasket, Volute | S06271 |
| 73B | Gasket, Balance Ring | S09943 |
| 73C | Gasket, Reducer | S10367 |
| 89 | Seal, Mechanical Shaft | S32693 |

| Item No. | Part Description | Part Number |
|----------|---------------------------------------|-------------|
| 115 | Ring, Balance | H05781 |
| 119 | O-Ring | S26471 |
| 800A | Capscrew, Hex 5/8-11x1-1/2" (12 Req.) | S26999 |
| 800B | Bolt, Sq. Head 1/2-13x2-1/4" (2 Req.) | S23792 |
| 800C | Capscrew, Hex 3/4-10x1-3/4" (8 Req.) | S27327 |
| 801 | Stud, 3/8-16x1-3/8" (4 Req.) | S09942 |
| 802A | Nut, Hex 3/8-16" (4 Req.) | S23103 |
| 802B | Nut, Hex 1/2-13x7/16" (2 Req.) | S23347 |
| 805A | Washer, Lock | S23038 |
| 810 | Plug, Pipe 1/2 NPT (6 Req.) | S23717 |
| 816 | Ring, Retaining | S23016 |
| 831 | Reducer, Eccentric | H05780 |

1. A **Shaft Replacement Kit** is available for this model. Berkeley part number **B07596** for CW, **B07597** for CCW. Refer to Supplement Sheet C2 for breakdown of shaft kit components.

* Includes grease fitting.



TYPE "B" SINGLE STAGE CENTRIFUGAL PUMP Electric Motor Drive

| | |
|-------------------|-----------------|
| Section | CC |
| Page | 210.1 |
| Date | January 1, 2004 |
| Supersedes 6/1/95 | |

CAST IRON IMPELLER

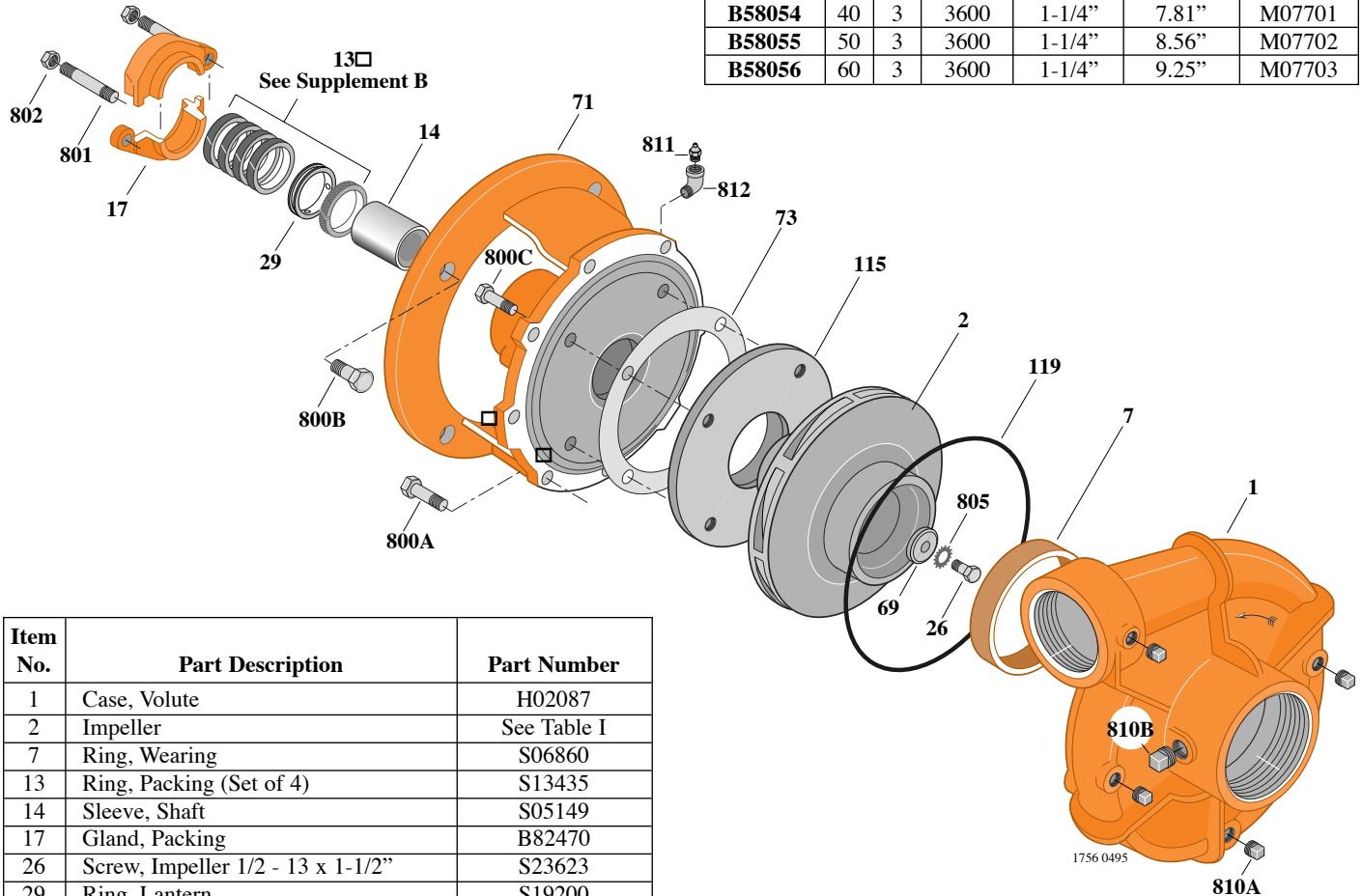
B3EPBL

Threaded Case (NPT)

Packing Construction

TABLE I

| B/M No. | HP | PH | RPM | "U" Dim. | Imp. Dia. | Imp. No. |
|---------|----|----|------|----------|-----------|----------|
| B58054 | 40 | 3 | 3600 | 1-1/4" | 7.81" | M07701 |
| B58055 | 50 | 3 | 3600 | 1-1/4" | 8.56" | M07702 |
| B58056 | 60 | 3 | 3600 | 1-1/4" | 9.25" | M07703 |



| Item No. | Part Description | Part Number |
|----------|--------------------------------------|--------------|
| 1 | Case, Volute | H02087 |
| 2 | Impeller | See Table I |
| 7 | Ring, Wearing | S06860 |
| 13 | Ring, Packing (Set of 4) | S13435 |
| 14 | Sleeve, Shaft | S05149 |
| 17 | Gland, Packing | B82470 |
| 26 | Screw, Impeller 1/2 - 13 x 1-1/2" | S23623 |
| 29 | Ring, Lantern | S19200 |
| 32 | Key, 1/4 x 2-1/4" (See Note) | S23677 |
| 69 | Washer, Impeller | S18117 |
| 71 | Bracket | See Table II |
| 73 | Gasket, Balance Ring | S09943 |
| 115 | Ring, Balance | L03648 |
| 119 | O-Ring | S13760 |
| 800A | Capscrew, 1/2 - 13 x 1-1/4" (8 Req.) | S26914 |
| 800B | Capscrew, 5/8 - 11 x 1-1/2" (4 Req.) | S26999 |
| 800C | Capscrew, 3/8 - 16 x 1" (4 Req.) | S26826 |
| 801 | Stud, 3/8 - 16 x 2-1/2" (2 Req.) | S04438 |
| 802 | Nut, Hex 3/8 - 16 (2 Req.) | S23343 |
| 805 | Washer, Lock | S23038 |
| 810A | Plug, Pipe 1/4 NPT (4 Req.) | S23715 |
| 810B | Plug, Pipe 1/2 NPT | S23717 |
| 811 | Fitting, Grease | S23700 |
| 812 | Elbow, Street | S25421 |

TABLE II

| HP | PH | Bracket No. | "AK" Fit | "U" Dim. | Motor Frame |
|----|----|-------------|----------|----------|-------------|
| 40 | 3 | L03497 | 12-1/2" | 1-1/4" | 286JP |
| 50 | 3 | L03497 | 12-1/2" | 1-1/4" | 324JP |
| 60 | 3 | L03497 | 12-1/2" | 1-1/4" | 326JP |

NOTE: For an explanation of the tabulated material found on this page and for impeller key location, refer to *Supplement A* located at the beginning of this section.



TYPE "B" SINGLE STAGE CENTRIFUGAL PUMP Electric Motor Drive

| | |
|-------------------|-----------------|
| Section | CC |
| Page | 210.2 |
| Date | January 1, 2004 |
| Supersedes 6/1/95 | |

CAST IRON IMPELLER

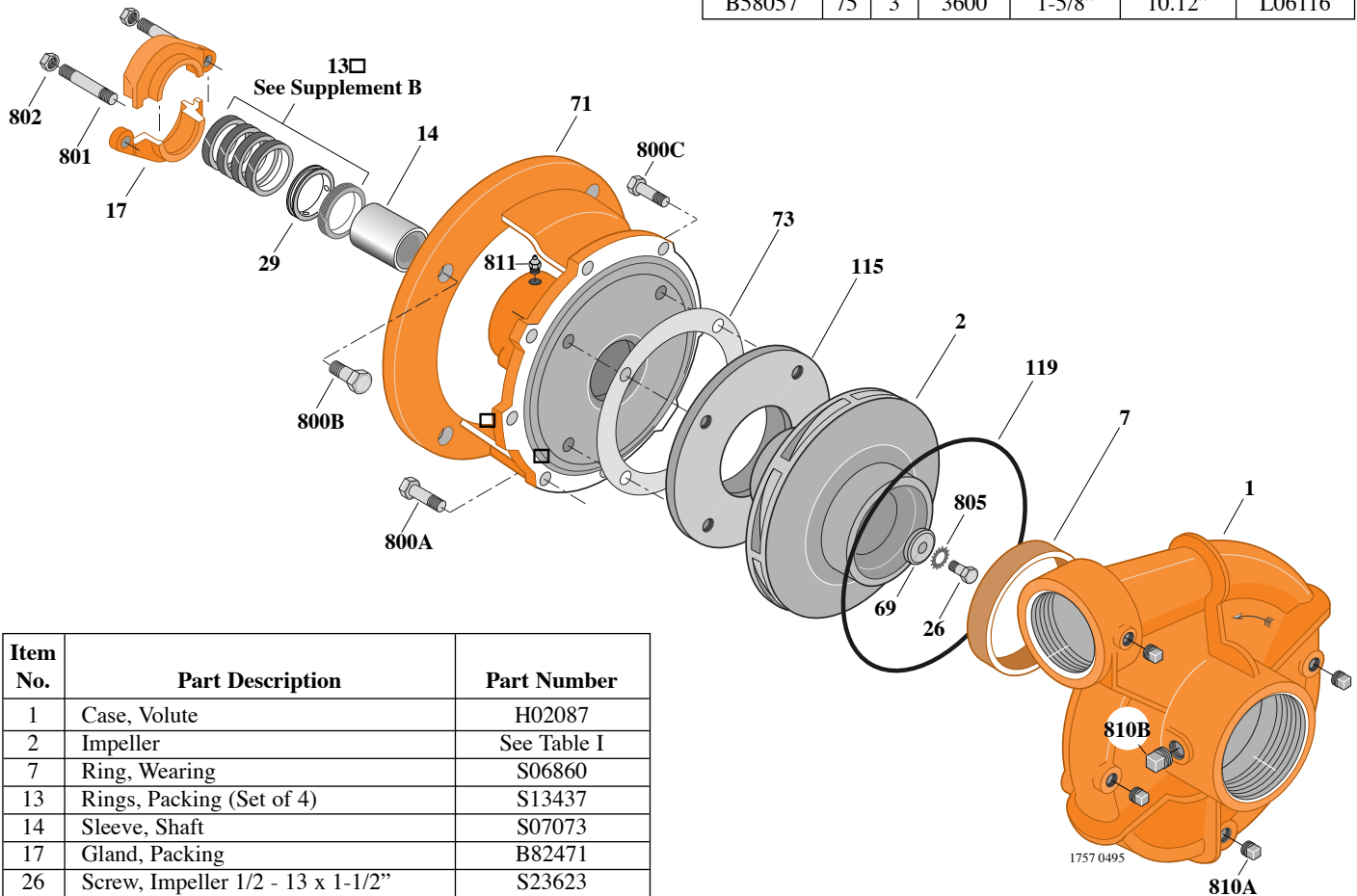
B3EPBL

Threaded Case (NPT)

Packing Construction

TABLE I

| B/M No. | HP | PH | RPM | "U" Dim. | Imp. Dia. | Imp. No. |
|---------|----|----|------|----------|-----------|----------|
| B58057 | 75 | 3 | 3600 | 1-5/8" | 10.12" | L06116 |



| Item No. | Part Description | Part Number |
|----------|--------------------------------------|--------------|
| 1 | Case, Volute | H02087 |
| 2 | Impeller | See Table I |
| 7 | Ring, Wearing | S06860 |
| 13 | Rings, Packing (Set of 4) | S13437 |
| 14 | Sleeve, Shaft | S07073 |
| 17 | Gland, Packing | B82471 |
| 26 | Screw, Impeller 1/2 - 13 x 1-1/2" | S23623 |
| 29 | Ring, Lantern | S19198 |
| 32 | Key, 3/8 x 2-1/4" (See Note) | S23940 |
| 69 | Washer, Impeller | S18801 |
| 71 | Bracket | See Table II |
| 73 | Gasket, Balance Ring | S09943 |
| 115 | Ring, Balance | L03697 |
| 119 | O-Ring | S13760 |
| 800A | Capscrew, 1/2 - 13 x 1-1/4" (8 Req.) | S26914 |
| 800B | Capscrew, 5/8 - 11 x 1-1/2" (4 Req.) | S26999 |
| 800C | Capscrew, 3/8 - 16 1" (4 Req.) | S26826 |
| 801 | Stud, 3/8 - 16 x 2-1/2" (2 Req.) | S04438 |
| 802 | Nut, Hex 3/8 - 16 (2 Req.) | S23343 |
| 805 | Washer, Lock | S23038 |
| 810A | Plug, Pipe 1/4 NPT (4 Req.) | S23715 |
| 810B | Plug, Pipe 1/2 NPT | S23717 |
| 811 | Fitting, Grease | S23700 |

TABLE II

| HP | PH | Bracket No. | "AK" Fit | "U" Dim. | Motor Frame |
|----|----|-------------|----------|----------|-------------|
| 75 | 3 | L05610 | 12-1/2" | 1-5/8" | 364JP |

NOTE: For an explanation of the tabulated material found on this page and for impeller key location, refer to *Supplement A* located at the beginning of this section.



TYPE "B" SINGLE STAGE CENTRIFUGAL PUMP Electric Motor Drive

| | |
|-------------------|-----------------|
| Section | CC |
| Page | 210.3 |
| Date | January 1, 2004 |
| Supersedes 6/1/95 | |

CAST IRON IMPELLER

B3EPBLS

Threaded Case (NPT)

Mechanical Shaft Seal Construction

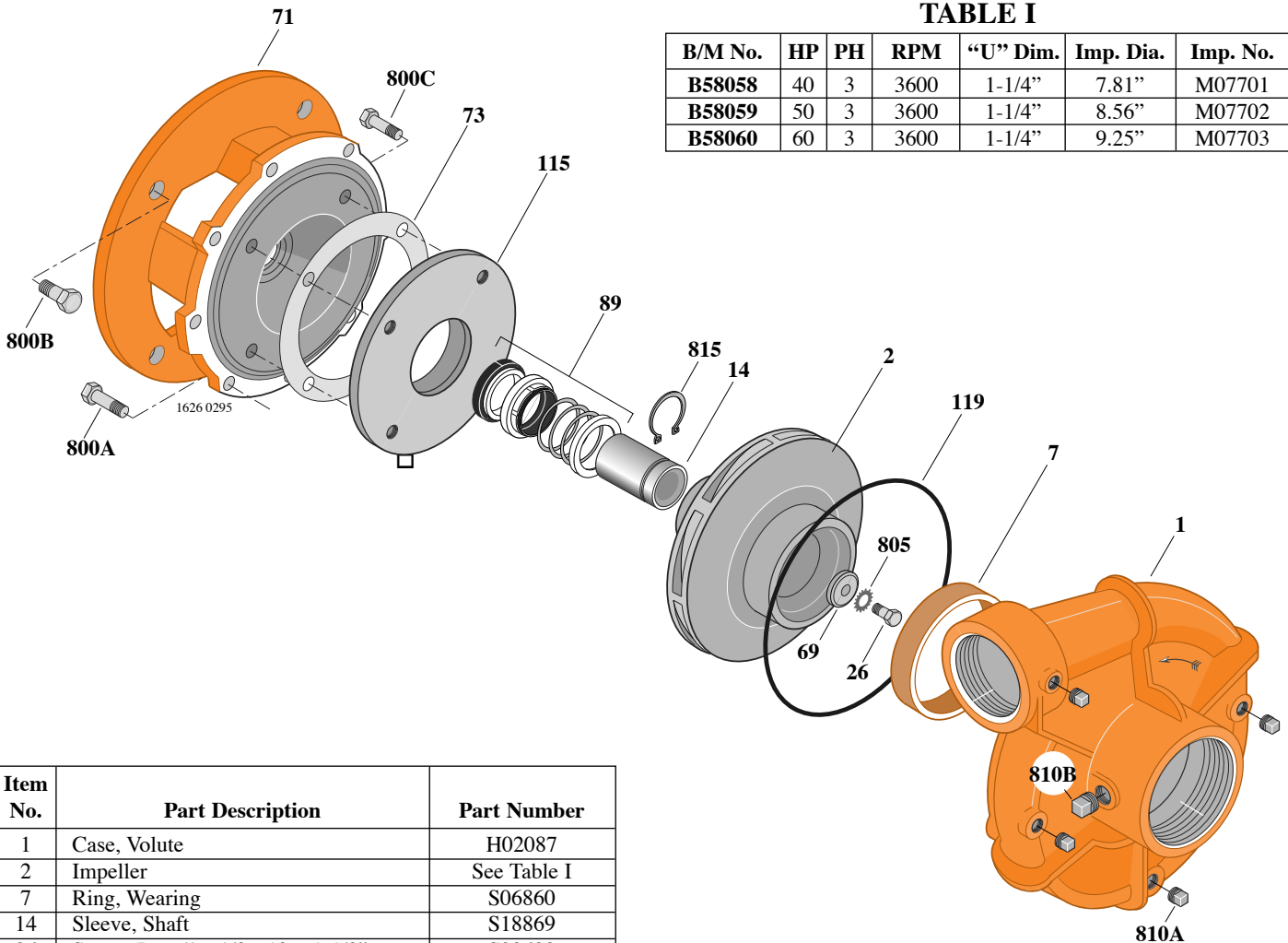


TABLE I

| B/M No. | HP | PH | RPM | "U" Dim. | Imp. Dia. | Imp. No. |
|---------|----|----|------|----------|-----------|----------|
| B58058 | 40 | 3 | 3600 | 1-1/4" | 7.81" | M07701 |
| B58059 | 50 | 3 | 3600 | 1-1/4" | 8.56" | M07702 |
| B58060 | 60 | 3 | 3600 | 1-1/4" | 9.25" | M07703 |

| Item No. | Part Description | Part Number |
|----------|--------------------------------------|--------------|
| 1 | Case, Volute | H02087 |
| 2 | Impeller | See Table I |
| 7 | Ring, Wearing | S06860 |
| 14 | Sleeve, Shaft | S18869 |
| 26 | Screw, Impeller 1/2 - 13 x 1-1/2" | S23623 |
| 32 | Key, 1/4 x 2-1/4" (See Note) | S23677 |
| 69 | Washer, Impeller | S18117 |
| 71 | Bracket | See Table II |
| 73 | Gasket, Balance Ring | S09943 |
| 89 | Seal, Mechanical Shaft | S32015 |
| 105 | Washer, Lock | S23038 |
| 115 | Ring, Balance | L05262 |
| 119 | O-Ring | S13760 |
| 800A | Capscrew, 1/2 - 13 x 1-1/4" (8 Req.) | S26914 |
| 800B | Capscrew, 5/8 - 11 x 1-1/2" (4 Req.) | S26999 |
| 800C | Capscrew, 3/8 - 16 x 3/4" (4 Req.) | S26824 |
| 805 | Washer, Lock | S23038 |
| 810A | Plug, Pipe 1/4 NPT (4 Req.) | S23715 |
| 810B | Plug, Pipe 1/2 NPT | S23717 |
| 815 | Ring, Retaining | S16767 |

TABLE II

| HP | PH | Bracket No. | "AK" Fit | "U" Dim. | Motor Frame |
|----|----|-------------|----------|----------|-------------|
| 40 | 3 | L04628 | 12-1/2" | 1-1/4" | 286JM |
| 50 | 3 | L04628 | 12-1/2" | 1-1/4" | 324JM |
| 60 | 3 | L04628 | 12-1/2" | 1-1/4" | 326JM |

NOTE: For an explanation of the tabulated material found on this page and for impeller key location, refer to *Supplement A* located at the beginning of this section.



TYPE "B" SINGLE STAGE CENTRIFUGAL PUMP Electric Motor Drive

| | |
|-------------------|-----------------|
| Section | CC |
| Page | 210.4 |
| Date | January 1, 2004 |
| Supersedes 6/1/95 | |

CAST IRON IMPELLER

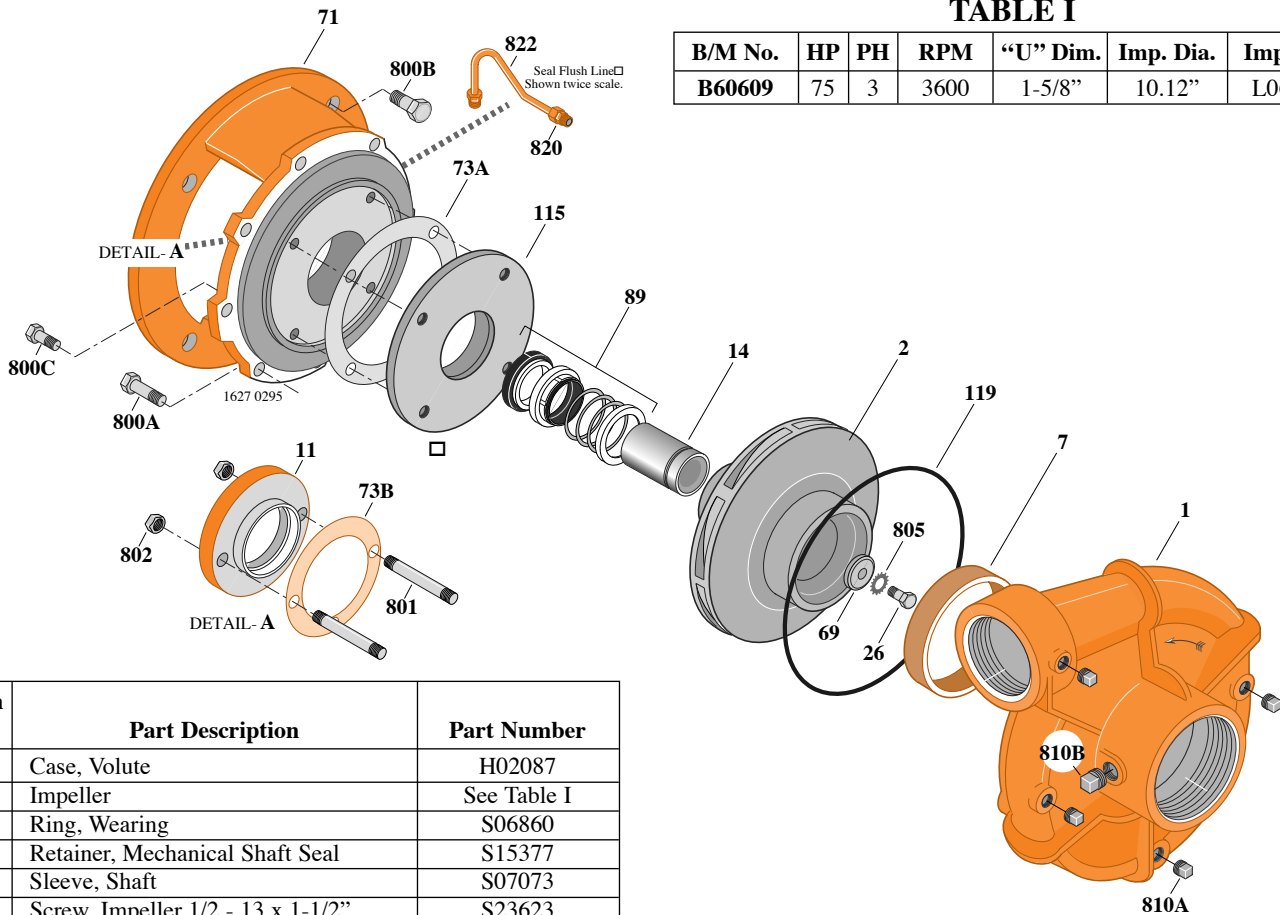
B3EPBLS

Threaded Case (NPT)

Mechanical Shaft Seal Construction

TABLE I

| B/M No. | HP | PH | RPM | "U" Dim. | Imp. Dia. | Imp. No. |
|---------------|----|----|------|----------|-----------|----------|
| B60609 | 75 | 3 | 3600 | 1-5/8" | 10.12" | L06116 |



| Item No. | Part Description | Part Number |
|----------|--------------------------------------|--------------|
| 1 | Case, Volute | H02087 |
| 2 | Impeller | See Table I |
| 7 | Ring, Wearing | S06860 |
| 11 | Retainer, Mechanical Shaft Seal | S15377 |
| 14 | Sleeve, Shaft | S07073 |
| 26 | Screw, Impeller 1/2 - 13 x 1-1/2" | S23623 |
| 32 | Key, 3/8 x 2-1/4" (See Note) | S23940 |
| 69 | Washer, Impeller | S18801 |
| 71 | Bracket | See Table II |
| 73A | Gasket, Balance Ring | S09943 |
| 73B | Gasket, Seal Retainer | S15078 |
| 89 | Seal, Mechanical Shaft | S32016 |
| 115 | Ring, Balance | L03697 |
| 119 | O-Ring | S13760 |
| 800A | Capscrew, 1/2 - 13 x 1-1/4" (8 Req.) | S26914 |
| 800B | Capscrew, 5/8 - 11 x 1-3/4" (4 Req.) | S27001 |
| 800C | Capscrew, 3/8 - 16 x 1" (4 Req.) | S26826 |
| 801 | Stud, 3/8 - 16 x 2-1/2" (2 Req.) | S04438 |
| 802 | Nut, 3/8 - 16 (2 Req.) | S23343 |
| 805 | Washer, Lock | S23038 |
| 810A | Plug, Pipe 1/4 NPT (4 Req.) | S23715 |
| 810B | Plug, Pipe 1/2 NPT | S23717 |
| 820 | Connector, Comp. Fitting (2 Req.) | S24013 |
| 822 | Tubing, Copper | S20677 |
| • | Plug, Pipe 1/8 NPT (At Seal Bore) | S23714 |

TABLE II

| HP | PH | Bracket No. | "AK" Fit | "U" Dim. | Motor Frame |
|----|----|-------------|----------|----------|-------------|
| 75 | 3 | L06315 | 12-1/2" | 1-5/8" | 364JP |

NOTE: For an explanation of the tabulated material found on this page and for impeller key location, refer to *Supplement A* located at the beginning of this section.



TYPE "B" SINGLE STAGE CENTRIFUGAL PUMP Electric Motor Drive

| | |
|----------------|-----------------|
| Section | CC |
| Page | 210.5 |
| Date | January 1, 2004 |
| Supersedes/New | |

BRONZE IMPELLER

B3EPBLS

Threaded Case (NPT)

Mechanical Shaft Seal Construction

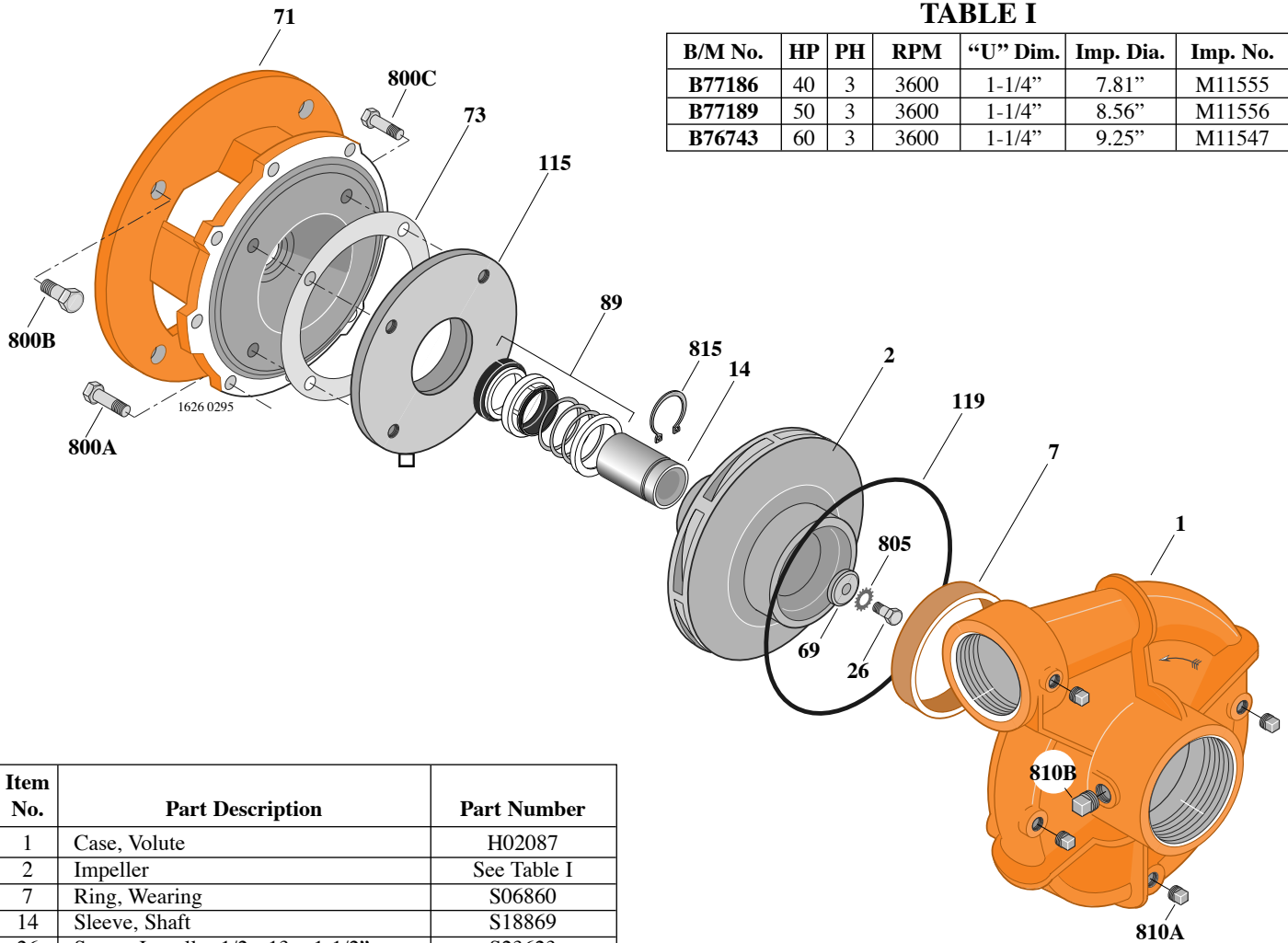


TABLE I

| B/M No. | HP | PH | RPM | "U" Dim. | Imp. Dia. | Imp. No. |
|---------|----|----|------|----------|-----------|----------|
| B77186 | 40 | 3 | 3600 | 1-1/4" | 7.81" | M11555 |
| B77189 | 50 | 3 | 3600 | 1-1/4" | 8.56" | M11556 |
| B76743 | 60 | 3 | 3600 | 1-1/4" | 9.25" | M11547 |

| Item No. | Part Description | Part Number |
|----------|--------------------------------------|--------------|
| 1 | Case, Volute | H02087 |
| 2 | Impeller | See Table I |
| 7 | Ring, Wearing | S06860 |
| 14 | Sleeve, Shaft | S18869 |
| 26 | Screw, Impeller 1/2 - 13 x 1-1/2" | S23623 |
| 32 | Key, 1/4 x 2-1/4" (See Note) | S23677 |
| 69 | Washer, Impeller | S18117 |
| 71 | Bracket | See Table II |
| 73 | Gasket, Balance Ring | S09943 |
| 89 | Seal, Mechanical Shaft | S32015 |
| 105 | Washer, Lock | S23038 |
| 115 | Ring, Balance | L05262 |
| 119 | O-Ring | S13760 |
| 800A | Capscrew, 1/2 - 13 x 1-1/4" (8 Req.) | S26914 |
| 800B | Capscrew, 5/8 - 11 x 1-1/2" (4 Req.) | S26999 |
| 800C | Capscrew, 3/8 - 16 x 3/4" (4 Req.) | S26824 |
| 805 | Washer, Lock | S23038 |
| 810A | Plug, Pipe 1/4 NPT (4 Req.) | S23715 |
| 810B | Plug, Pipe 1/2 NPT | S23717 |
| 815 | Ring, Retaining | S16767 |

TABLE II

| HP | PH | Bracket No. | "AK" Fit | "U" Dim. | Motor Frame |
|----|----|-------------|----------|----------|-------------|
| 40 | 3 | L04628 | 12-1/2" | 1-1/4" | 286JM |
| 50 | 3 | L04628 | 12-1/2" | 1-1/4" | 324JM |
| 60 | 3 | L04628 | 12-1/2" | 1-1/4" | 326JM |

NOTE: For an explanation of the tabulated material found on this page and for impeller key location, refer to *Supplement A* located at the beginning of this section.



TYPE "B" SINGLE STAGE CENTRIFUGAL PUMP Electric Motor Drive

| | |
|----------------|-----------------|
| Section | CC |
| Page | 210.6 |
| Date | January 1, 2004 |
| Supersedes/New | |

BRONZE IMPELLER

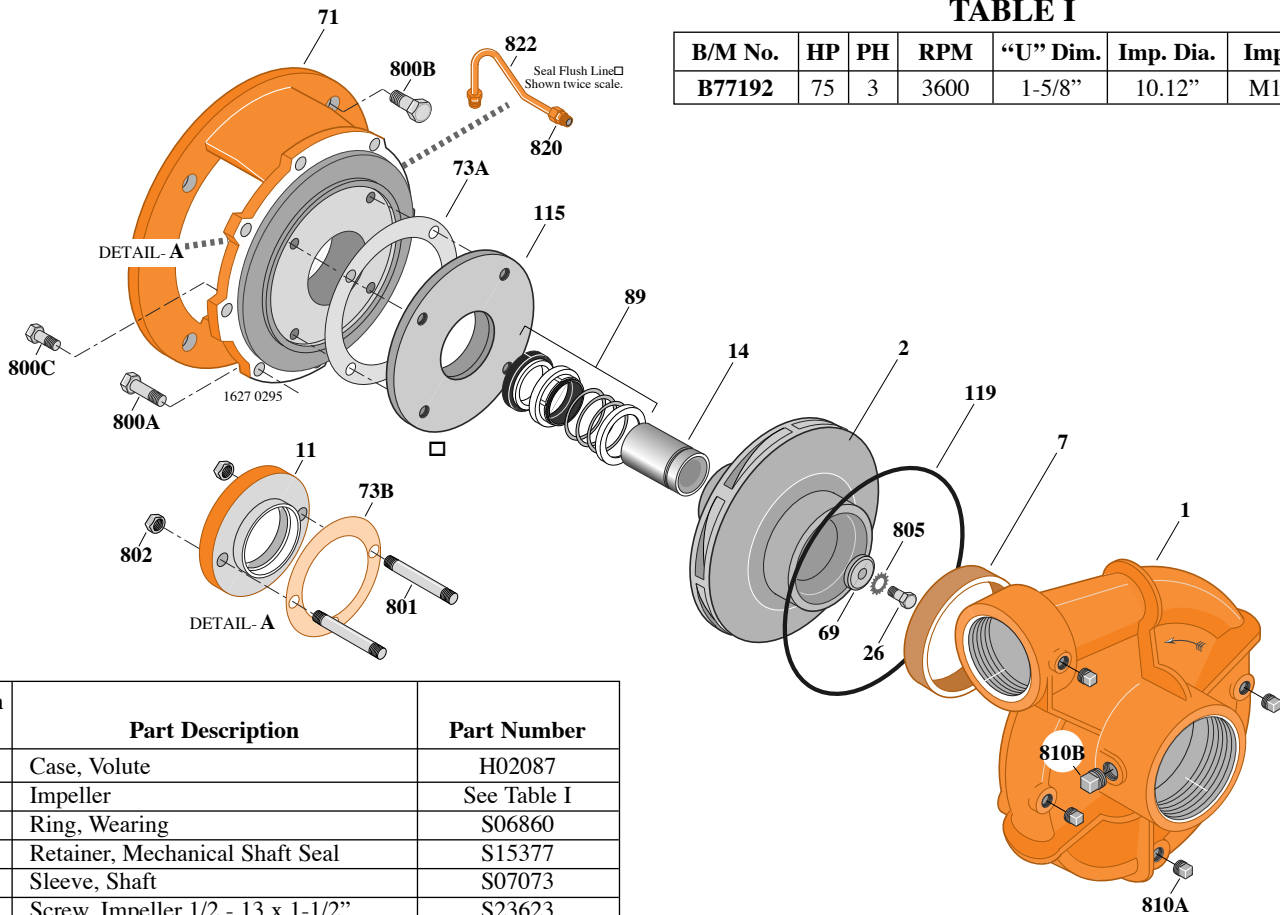
B3EPBLS

Threaded Case (NPT)

Mechanical Shaft Seal Construction

TABLE I

| B/M No. | HP | PH | RPM | "U" Dim. | Imp. Dia. | Imp. No. |
|---------|----|----|------|----------|-----------|----------|
| B77192 | 75 | 3 | 3600 | 1-5/8" | 10.12" | M11554 |



| Item No. | Part Description | Part Number |
|----------|--------------------------------------|--------------|
| 1 | Case, Volute | H02087 |
| 2 | Impeller | See Table I |
| 7 | Ring, Wearing | S06860 |
| 11 | Retainer, Mechanical Shaft Seal | S15377 |
| 14 | Sleeve, Shaft | S07073 |
| 26 | Screw, Impeller 1/2 - 13 x 1-1/2" | S23623 |
| 32 | Key, 3/8 x 2-1/4" (See Note) | S23940 |
| 69 | Washer, Impeller | S18801 |
| 71 | Bracket | See Table II |
| 73A | Gasket, Balance Ring | S09943 |
| 73B | Gasket, Seal Retainer | S15078 |
| 89 | Seal, Mechanical Shaft | S32016 |
| 115 | Ring, Balance | L03697 |
| 119 | O-Ring | S13760 |
| 800A | Capscrew, 1/2 - 13 x 1-1/4" (8 Req.) | S26914 |
| 800B | Capscrew, 5/8 - 11 x 1-3/4" (4 Req.) | S27001 |
| 800C | Capscrew, 3/8 - 16 x 1" (4 Req.) | S26826 |
| 801 | Stud, 3/8 - 16 x 2-1/2" (2 Req.) | S04438 |
| 802 | Nut, 3/8 - 16 (2 Req.) | S23343 |
| 805 | Washer, Lock | S23038 |
| 810A | Plug, Pipe 1/4 NPT (4 Req.) | S23715 |
| 810B | Plug, Pipe 1/2 NPT | S23717 |
| 820 | Connector, Comp. Fitting (2 Req.) | S24013 |
| 822 | Tubing, Copper | S20677 |
| • | Plug, Pipe 1/8 NPT (At Seal Bore) | S23714 |

TABLE II

| HP | PH | Bracket No. | "AK" Fit | "U" Dim. | Motor Frame |
|----|----|-------------|----------|----------|-------------|
| 75 | 3 | L06315 | 12-1/2" | 1-5/8" | 364JP |

NOTE: For an explanation of the tabulated material found on this page and for impeller key location, refer to *Supplement A* located at the beginning of this section.



TYPE "B" SINGLE STAGE CENTRIFUGAL PUMP Electric Motor Drive

| | |
|----------------|-----------------|
| Section | CC |
| Page | 210.7 |
| Date | January 1, 2004 |
| Supersedes/New | |

BRONZE IMPELLER

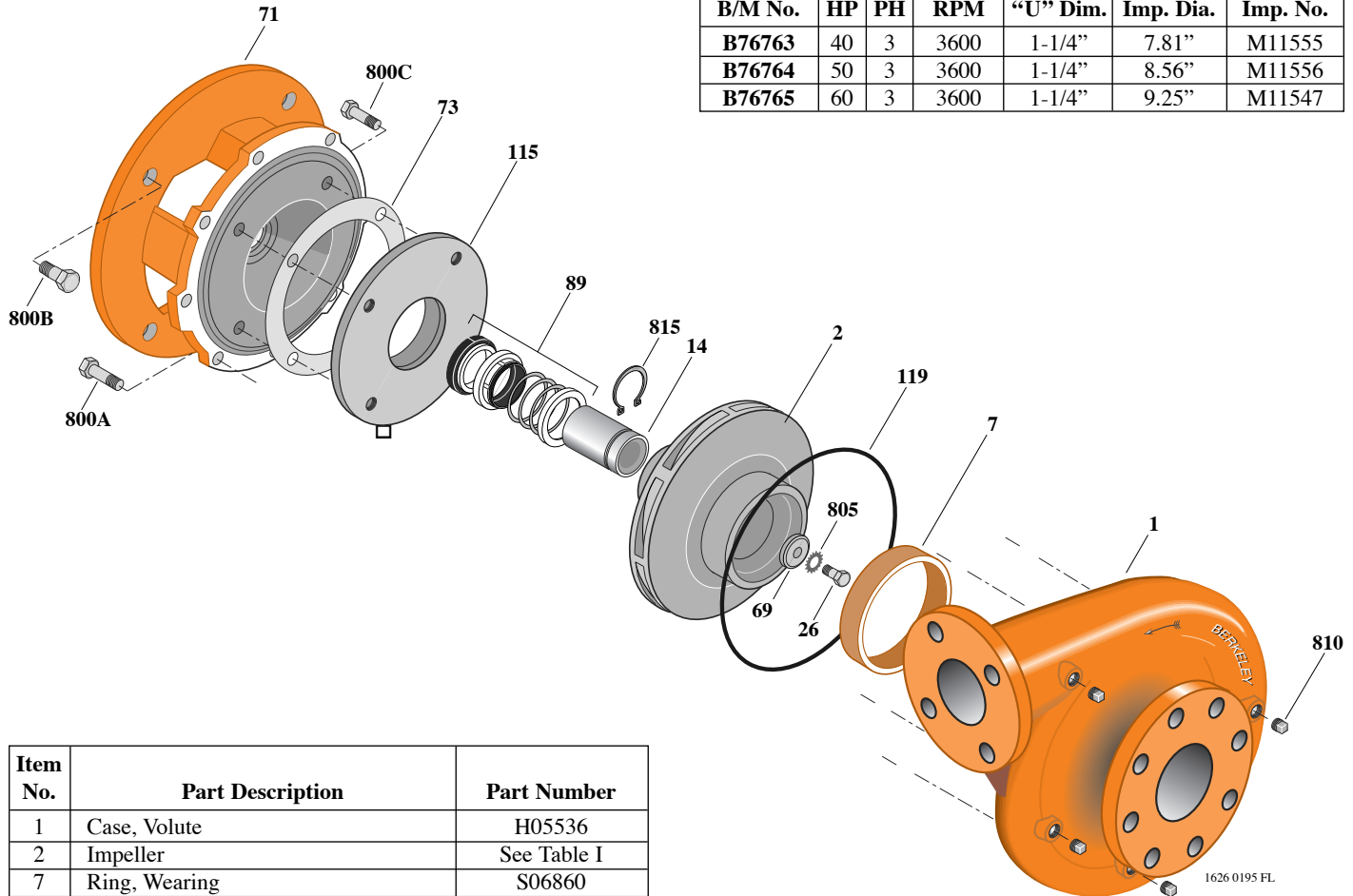
B3EPBLS

Flanged Case

Mechanical Shaft Seal Construction

TABLE I

| B/M No. | HP | PH | RPM | "U" Dim. | Imp. Dia. | Imp. No. |
|---------|----|----|------|----------|-----------|----------|
| B76763 | 40 | 3 | 3600 | 1-1/4" | 7.81" | M11555 |
| B76764 | 50 | 3 | 3600 | 1-1/4" | 8.56" | M11556 |
| B76765 | 60 | 3 | 3600 | 1-1/4" | 9.25" | M11547 |



| Item No. | Part Description | Part Number |
|----------|--------------------------------------|--------------|
| 1 | Case, Volute | H05536 |
| 2 | Impeller | See Table I |
| 7 | Ring, Wearing | S06860 |
| 14 | Sleeve, Shaft | S18869 |
| 26 | Screw, Impeller 1/2 - 13 x 1-1/2" | S23623 |
| 32 | Key, 1/4 x 2-1/4" (See Note) | S23677 |
| 69 | Washer, Impeller | S18117 |
| 71 | Bracket | See Table II |
| 73 | Gasket, Balance Ring | S09943 |
| 89 | Seal, Mechanical Shaft | S32015 |
| 105 | Washer, Lock | S23038 |
| 115 | Ring, Balance | L05262 |
| 119 | O-Ring | S13760 |
| 800A | Capscrew, 1/2 - 13 x 1-1/4" (8 Req.) | S26914 |
| 800B | Capscrew, 5/8 - 11 x 1-1/2" (4 Req.) | S26999 |
| 800C | Capscrew, 3/8 - 16 x 3/4" (4 Req.) | S26824 |
| 805 | Washer, Lock | S23038 |
| 810A | Plug, Pipe 1/4 NPT (4 Req.) | S23715 |
| 810B | Plug, Pipe 1/2 NPT | S23717 |
| 815 | Ring, Retaining | S16767 |

TABLE II

| HP | PH | Bracket No. | "AK" Fit | "U" Dim. | Motor Frame |
|----|----|-------------|----------|----------|-------------|
| 40 | 3 | L04628 | 12-1/2" | 1-1/4" | 286JM |
| 50 | 3 | L04628 | 12-1/2" | 1-1/4" | 324JM |
| 60 | 3 | L04628 | 12-1/2" | 1-1/4" | 326JM |

NOTE: For an explanation of the tabulated material found on this page and for impeller key location, refer to *Supplement A* located at the beginning of this section.



TYPE "B" SINGLE STAGE CENTRIFUGAL PUMP Electric Motor Drive

| | |
|----------------|-----------------|
| Section | CC |
| Page | 210.8 |
| Date | January 1, 2004 |
| Supersedes/New | |

BRONZE IMPELLER

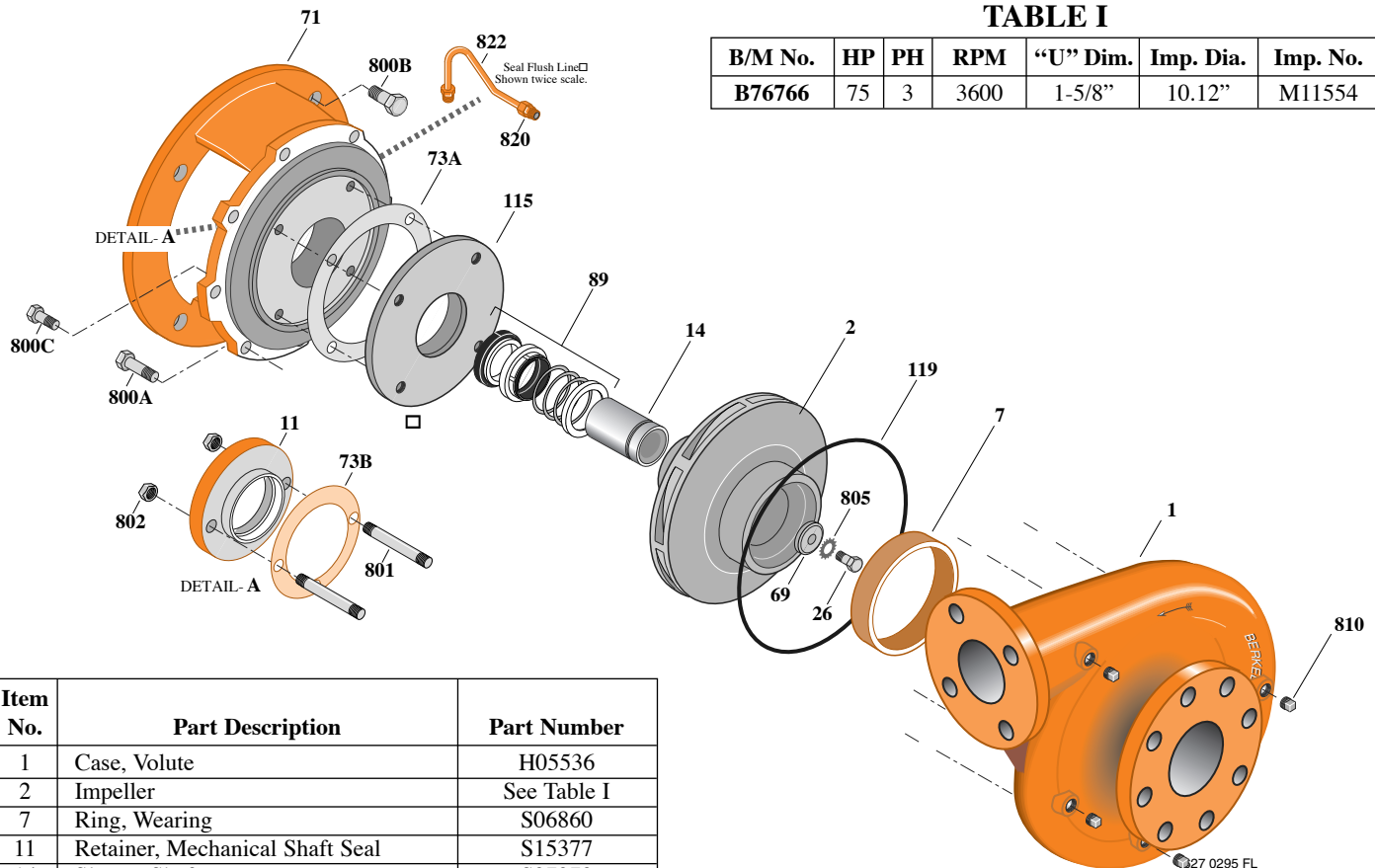
B3EPBLS

Flanged Case

Mechanical Shaft Seal Construction

TABLE I

| B/M No. | HP | PH | RPM | "U" Dim. | Imp. Dia. | Imp. No. |
|---------|----|----|------|----------|-----------|----------|
| B76766 | 75 | 3 | 3600 | 1-5/8" | 10.12" | M11554 |



| Item No. | Part Description | Part Number |
|----------|--------------------------------------|--------------|
| 1 | Case, Volute | H05536 |
| 2 | Impeller | See Table I |
| 7 | Ring, Wearing | S06860 |
| 11 | Retainer, Mechanical Shaft Seal | S15377 |
| 14 | Sleeve, Shaft | S07073 |
| 26 | Screw, Impeller 1/2 - 13 x 1-1/2" | S23623 |
| 32 | Key, 3/8 x 2-1/4" (See Note) | S23940 |
| 69 | Washer, Impeller | S18801 |
| 71 | Bracket | See Table II |
| 73A | Gasket, Balance Ring | S09943 |
| 73B | Gasket, Seal Retainer | S15078 |
| 89 | Seal, Mechanical Shaft | S32016 |
| 115 | Ring, Balance | L03697 |
| 119 | O-Ring | S13760 |
| 800A | Capscrew, 1/2 - 13 x 1-1/4" (8 Req.) | S26914 |
| 800B | Capscrew, 5/8 - 11 x 1-3/4" (4 Req.) | S27001 |
| 800C | Capscrew, 3/8 - 16 x 1" (4 Req.) | S26826 |
| 801 | Stud, 3/8 - 16 x 2-1/2" (2 Req.) | S04438 |
| 802 | Nut, 3/8 - 16 (2 Req.) | S23343 |
| 805 | Washer, Lock | S23038 |
| 810A | Plug, Pipe 1/4 NPT (4 Req.) | S23715 |
| 810B | Plug, Pipe 1/2 NPT | S23717 |
| 820 | Connector, Comp. Fitting (2 Req.) | S24013 |
| 822 | Tubing, Copper | S20677 |
| • | Plug, Pipe 1/8 NPT (At Seal Bore) | S23714 |

TABLE II

| HP | PH | Bracket No. | "AK" Fit | "U" Dim. | Motor Frame |
|----|----|-------------|----------|----------|-------------|
| 75 | 3 | L06315 | 12-1/2" | 1-5/8" | 364JP |

NOTE: For an explanation of the tabulated material found on this page and for impeller key location, refer to *Supplement A* located at the beginning of this section.



TYPE "B" SINGLE STAGE CENTRIFUGAL PUMP Electric Motor Drive

| | |
|-------------------|-----------------|
| Section | CC |
| Page | 220.1 |
| Date | January 1, 2004 |
| Supersedes 6/1/95 | |

CAST IRON IMPELLER

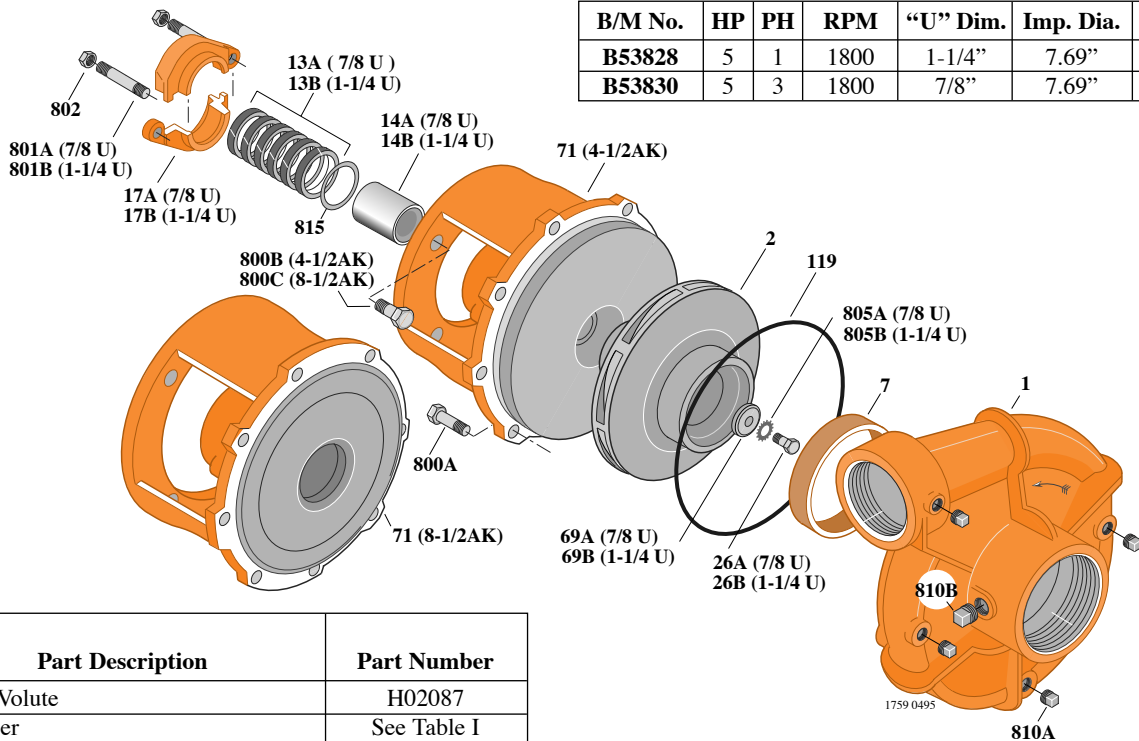
B3EPM

Threaded Case (NPT)

Packing Construction

TABLE I

| B/M No. | HP | PH | RPM | "U" Dim. | Imp. Dia. | Imp. No. |
|---------|----|----|------|----------|-----------|----------|
| B53828 | 5 | 1 | 1800 | 1-1/4" | 7.69" | M07697 |
| B53830 | 5 | 3 | 1800 | 7/8" | 7.69" | M07698 |



| Item No. | Part Description | Part Number |
|----------|--------------------------------------|--------------|
| 1 | Case, Volute | H02087 |
| 2 | Impeller | See Table I |
| 7 | Ring, Wearing | S13045 |
| 13A | Rings, Packing (Set of 7) | S15094 |
| 13B | Rings, Packing (Set of 6) | S13470 |
| 14A | Sleeve, Shaft (2 Req.) | S00619 |
| 14B | Sleeve, Shaft | S05149 |
| 17A | Gland, Packing | B82469 |
| 17B | Gland, Packing | B82470 |
| 26A | Screw, Impeller 3/8 - 16 x 1-1/4" | S23568 |
| 26B | Screw, Impeller 1/2 - 13 x 1-3/4" | S23625 |
| 32A | Key, 3/16 x 1-1/4" (See Note) | S34383 |
| 32B | Key, 1/4 x 2-1/4" (See Note) | S23677 |
| 69A | Washer, Impeller | S06314 |
| 69B | Washer, Impeller | S06319 |
| 71 | Bracket | See Table II |
| 119 | O-Ring | S13760 |
| 800A | Capscrew, 1/2 - 13 x 1-1/4" (8 Req.) | S26914 |
| 800B | Capscrew, 3/8 - 16 x 1" (4 Req.) | S26826 |
| 800C | Capscrew, 1/2 - 13 x 1-1/2" (4 Req.) | S26916 |
| 801A | Stud, 3/8 - 16 x 3" (2 Req.) | S04439 |
| 801B | Stud, 3/8 - 16 x 2-1/2" (2 Req.) | S04438 |
| 802 | Nut, Hex 3/8 - 16 (2 Req.) | S23343 |
| 805A | Washer, Lock | S23026 |
| 805B | Washer, Lock | S23038 |
| 810A | Plug, Pipe 1/4 NPT (4 Req.) | S23715 |
| 810B | Plug, Pipe 1/2 NPT | S23717 |
| 815 | Ring, Retainer | S08778 |

TABLE II

| HP | PH | Bracket No. | "AK" Fit | "U" Dim. | Motor Frame |
|----|----|-------------|----------|----------|-------------|
| 5 | 1 | L03637 | 8-1/2" | 1-1/4" | 213JP |
| 5 | 3 | L05114 | 4-1/2" | 7/8" | 184JP |

NOTE: For an explanation of the tabulated material found on this page and for impeller key location, refer to *Supplement A* located at the beginning of this section.



TYPE "B" SINGLE STAGE CENTRIFUGAL PUMP Electric Motor Drive

| | |
|-------------------|-----------------|
| Section | CC |
| Page | 220.2 |
| Date | January 1, 2004 |
| Supersedes 6/1/95 | |

CAST IRON IMPELLER

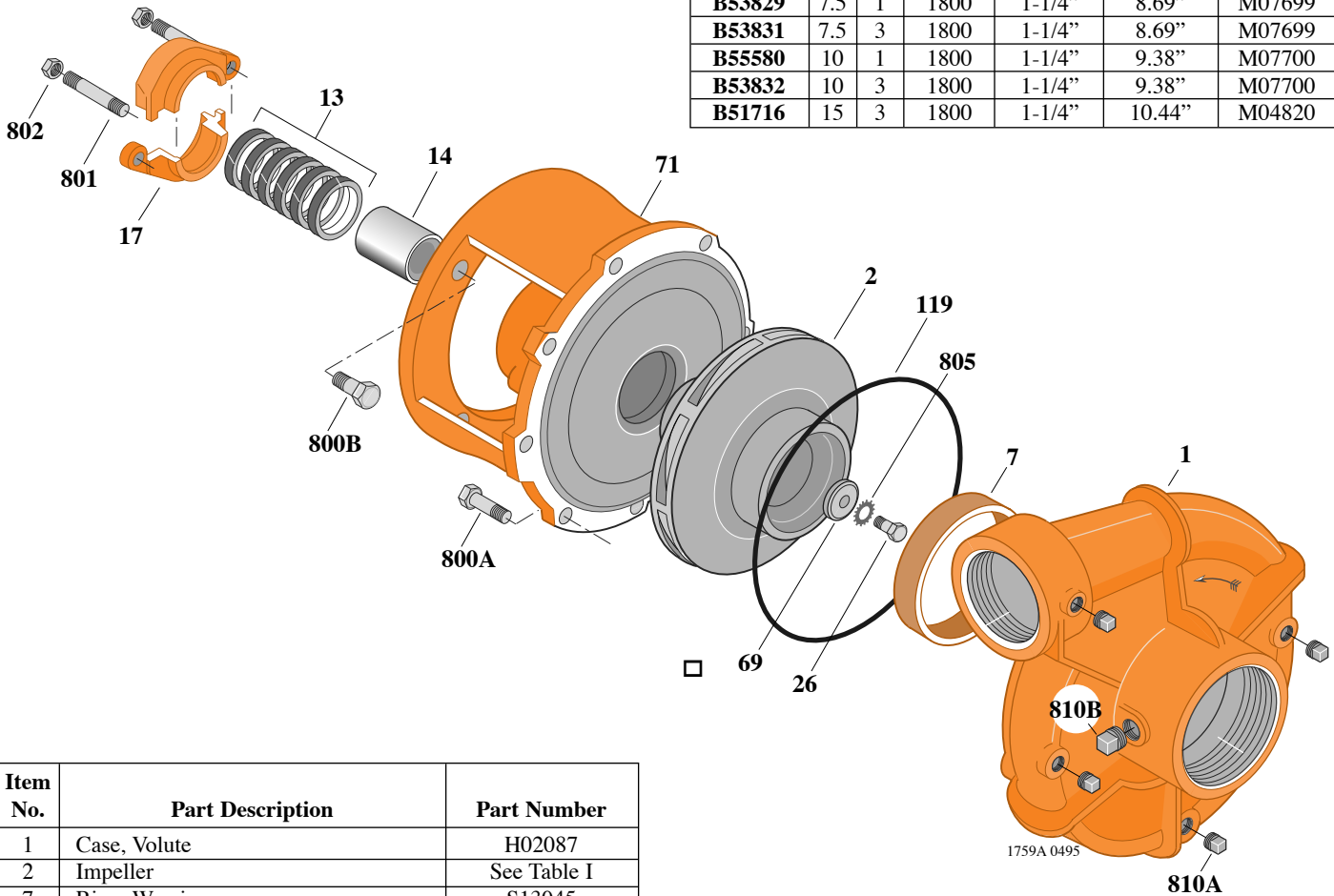
B3EPM

Threaded Case (NPT)

Packing Construction

TABLE I

| B/M No. | HP | PH | RPM | "U" Dim. | Imp. Dia. | Imp. No. |
|---------------|-----|----|------|----------|-----------|----------|
| B53829 | 7.5 | 1 | 1800 | 1-1/4" | 8.69" | M07699 |
| B53831 | 7.5 | 3 | 1800 | 1-1/4" | 8.69" | M07699 |
| B55580 | 10 | 1 | 1800 | 1-1/4" | 9.38" | M07700 |
| B53832 | 10 | 3 | 1800 | 1-1/4" | 9.38" | M07700 |
| B51716 | 15 | 3 | 1800 | 1-1/4" | 10.44" | M04820 |



| Item No. | Part Description | Part Number |
|----------|--------------------------------------|--------------|
| 1 | Case, Volute | H02087 |
| 2 | Impeller | See Table I |
| 7 | Ring, Wearing | S13045 |
| 13 | Rings, Packing (Set of 6) | S13470 |
| 14 | Sleeve, Shaft | S05149 |
| 17 | Gland, Packing | B82470 |
| 26 | Screw, Impeller 1/2 - 13 x 1-3/4" | S23625 |
| 32 | Key, 1/4 x 2-1/4" (See Note) | S23677 |
| 69 | Washer, Impeller | S06319 |
| 71 | Bracket | See Table II |
| 119 | O-Ring | S13760 |
| 800A | Capscrew, 1/2 - 13 x 1-1/4" (8 Req.) | S26914 |
| 800B | Capscrew, 1/2 - 13 x 1-1/2" (4 Req.) | S26916 |
| 801 | Stud, 3/8 - 16 x 2-1/2" (2 Req.) | S04438 |
| 802 | Nut, Hex 3/8 - 16 (2 Req.) | S23343 |
| 805 | Washer, Lock | S23038 |
| 810A | Plug, Pipe 1/4 NPT (4 Req.) | S23715 |
| 810B | Plug, Pipe 1/2 NPT | S23717 |

TABLE II

| HP | PH | Bracket No. | "AK" Fit | "U" Dim. | Motor Frame |
|-----|----|-------------|----------|----------|-------------|
| 7.5 | 1 | L03637 | 8-1/2" | 1-1/4" | 215JP |
| 7.5 | 3 | L03637 | 8-1/2" | 1-1/4" | 213JP |
| 10 | 1 | L03637 | 8-1/2" | 1-1/4" | 215JP |
| 10 | 3 | L03637 | 8-1/2" | 1-1/4" | 215JP |
| 15 | 3 | L03637 | 8-1/2" | 1-1/4" | 254JP |

NOTE: For an explanation of the tabulated material found on this page and for impeller key location, refer to *Supplement A* located at the beginning of this section.



TYPE "B" SINGLE STAGE CENTRIFUGAL PUMP Electric Motor Drive

| | |
|-------------------|--------------|
| Section | CC |
| Page | 220.3 |
| Date | May 15, 2009 |
| Supersedes 1/1/04 | |

CAST IRON IMPELLER

B3EPMS

Threaded Case (NPT)

Mechanical Shaft Seal Construction

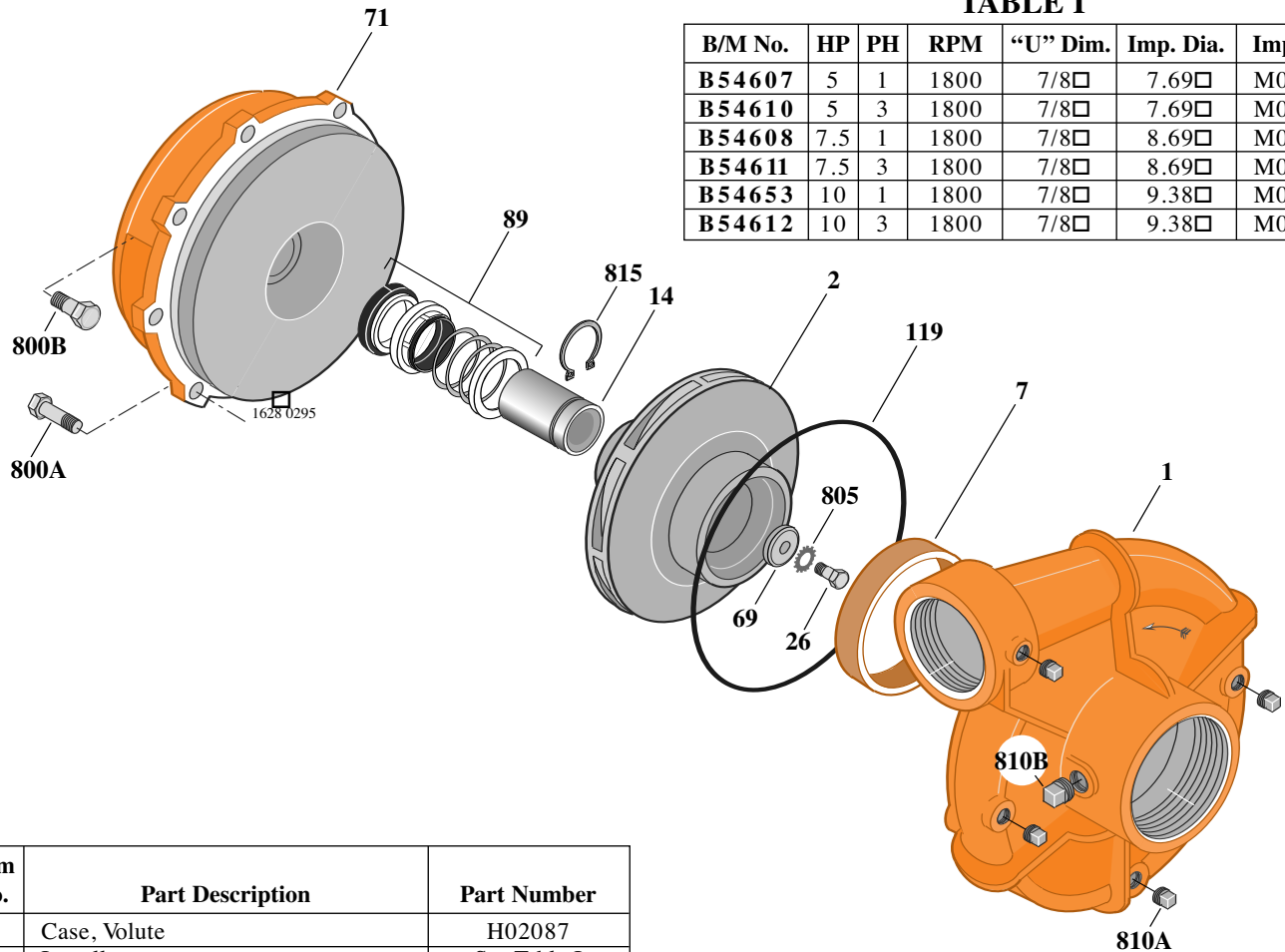


TABLE I

| B/M No. | HP | PH | RPM | "U" Dim. | Imp. Dia. | Imp. No. |
|---------------|-----|----|------|----------|-----------|----------|
| B54607 | 5 | 1 | 1800 | 7/8□ | 7.69□ | M07698 |
| B54610 | 5 | 3 | 1800 | 7/8□ | 7.69□ | M07698 |
| B54608 | 7.5 | 1 | 1800 | 7/8□ | 8.69□ | M07752 |
| B54611 | 7.5 | 3 | 1800 | 7/8□ | 8.69□ | M07752 |
| B54653 | 10 | 1 | 1800 | 7/8□ | 9.38□ | M04817 |
| B54612 | 10 | 3 | 1800 | 7/8□ | 9.38□ | M04817 |

| Item No. | Part Description | Part Number |
|----------|---|--------------|
| 1 | Case, Volute | H02087 |
| 2 | Impeller | See Table I |
| 7 | Ring, Wearing | S13045 |
| 14 | Sleeve, Shaft (See Note 2) | S19310L |
| 26 | Screw, Impeller 3/8 - 16 x 1-1/4□ | S23568 |
| 32 | Key, 3/16 x 1-1/4□(See Note 1) | S34383 |
| 69 | Washer, Impeller | S06314 |
| 71 | Bracket | See Table II |
| 89 | Seal, Mechanical Shaft | S32014 |
| 119 | O-Ring | S13760 |
| 800A | Capscrew, 1/2 - 13 x 1-1/4□(8 Req.) | S26914 |
| 800B | Capscrew, 1/2 - 13 x 1□ (For 8-1/2 AK) | S26912 |
| 800B | Capscrew, 3/8 - 16 x 1□ (For 4-1/2 AK) | S26826 |
| 805 | Washer, Lock | S23036 |
| 810A | Plug, Pipe 1/4 NPT (4 Req.) | S23715 |
| 810B | Plug, Pipe 1/2 NPT | S23717 |
| 815 | Ring, Retaining | S11207 |

TABLE II

| HP | PH | Bracket No. | "AK" Fit | "U" Dim. | Motor Frame |
|-----|----|-------------|----------|----------|-------------|
| 5 | 1 | L05334 | 8-1/2□ | 7/8□ | 213JM |
| 5 | 3 | L05335 | 4-1/2□ | 7/8□ | 184JM |
| 7.5 | 1 | L05334 | 8-1/2□ | 7/8□ | 215JM |
| 7.5 | 3 | L05334 | 8-1/2□ | 7/8□ | 213JM |
| 10 | 1 | L05334 | 8-1/2□ | 7/8□ | 215JM |
| 10 | 3 | L05334 | 8-1/2□ | 7/8□ | 215JM |

NOTE 1: For an explanation of the tabulated material found on this page and for impeller key location, refer to *Supplement A* located at the beginning of this section.

NOTE 2: Sleeve replacement kit available. Berkeley part number B85681 includes the shaft sleeve, adhesive compound and instruction sheet.



TYPE "B" SINGLE STAGE CENTRIFUGAL PUMP Electric Motor Drive

| | |
|-------------------|-----------------|
| Section | CC |
| Page | 220.4 |
| Date | January 1, 2004 |
| Supersedes 6/1/95 | |

CAST IRON IMPELLER

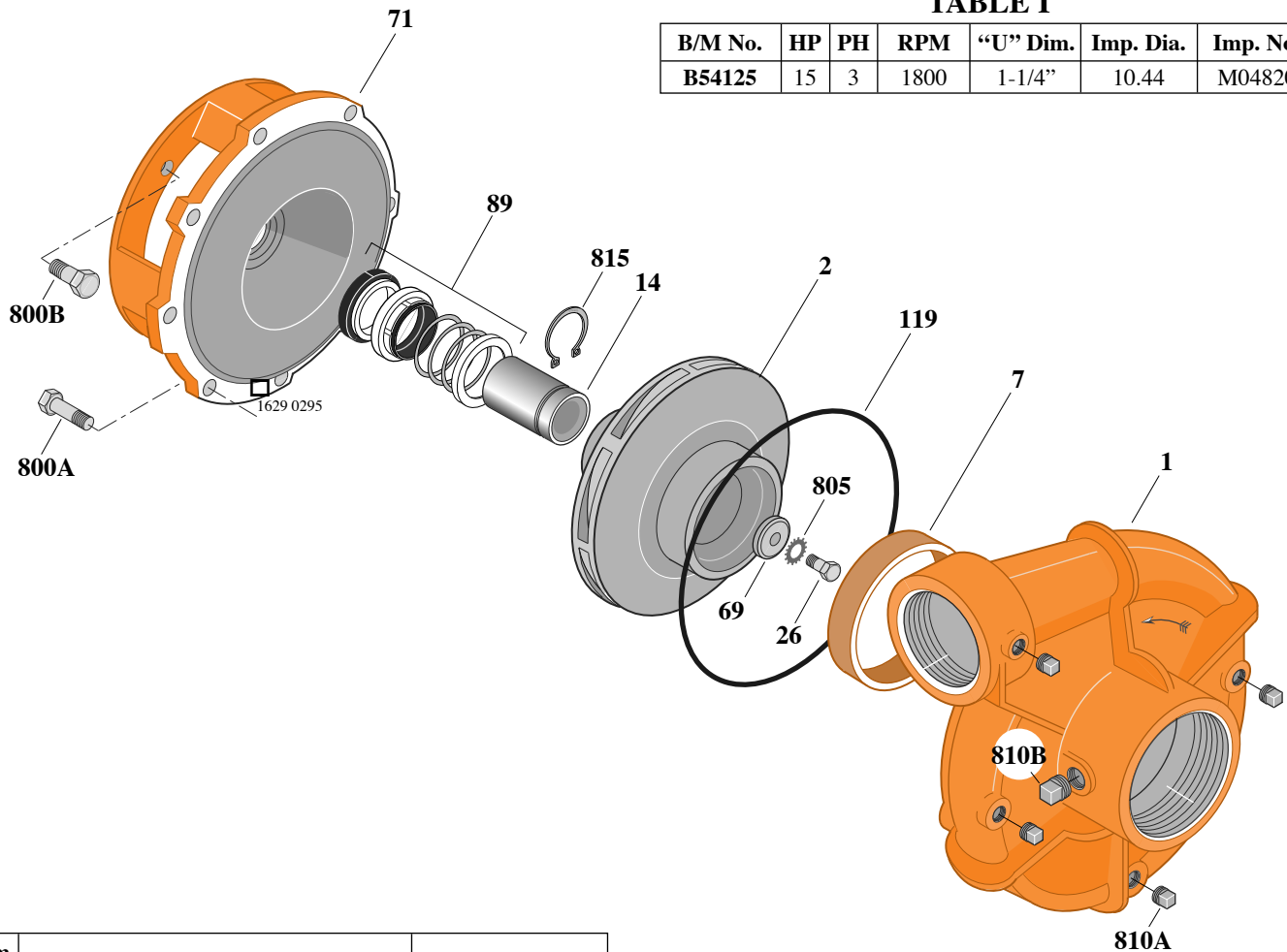
B3EPMS

Threaded Case (NPT)

Mechanical Shaft Seal Construction

TABLE I

| B/M No. | HP | PH | RPM | "U" Dim. | Imp. Dia. | Imp. No. |
|---------|----|----|------|----------|-----------|----------|
| B54125 | 15 | 3 | 1800 | 1-1/4" | 10.44 | M04820 |



| Item No. | Part Description | Part Number |
|----------|--------------------------------------|--------------|
| 1 | Case, Volute | H02087 |
| 2 | Impeller | See Table I |
| 7 | Ring, Wearing | S13045 |
| 14 | Sleeve, Shaft | S18869 |
| 26 | Screw, Impeller 1/2 - 13 x 1-3/4" | S23625 |
| 32 | Key, 1/4 x 2-1/4" (See Note) | S23677 |
| 69 | Washer, Impeller | S06319 |
| 71 | Bracket | See Table II |
| 89 | Seal, Mechanical Shaft | S32015 |
| 119 | O-Ring | S13760 |
| 800A | Capscrew, 1/2 - 13 x 1-1/4" (8 Req.) | S26914 |
| 800B | Capscrew, 1/2 - 13 x 1" (4 Req.) | S26912 |
| 805 | Washer, Lock | S23038 |
| 810A | Plug, Pipe 1/4 NPT (4 Req.) | S23715 |
| 810B | Plug, Pipe 1/2 NPT | S23717 |
| 815 | Ring, Retaining | S16767 |

TABLE II

| HP | PH | Bracket No. | "AK" Fit | "U" Dim. | Motor Frame |
|----|----|-------------|----------|----------|-------------|
| 15 | 3 | L04616 | 8-1/2" | 1-1/4" | 254JM |

NOTE: For an explanation of the tabulated material found on this page and for impeller key location, refer to *Supplement A* located at the beginning of this section.



TYPE "B" SINGLE STAGE CENTRIFUGAL PUMP Electric Motor Drive

| | |
|-------------------|-----------------|
| Section | CC |
| Page | 230.1 |
| Date | January 1, 2004 |
| Supersedes 6/1/95 | |

CAST IRON IMPELLER

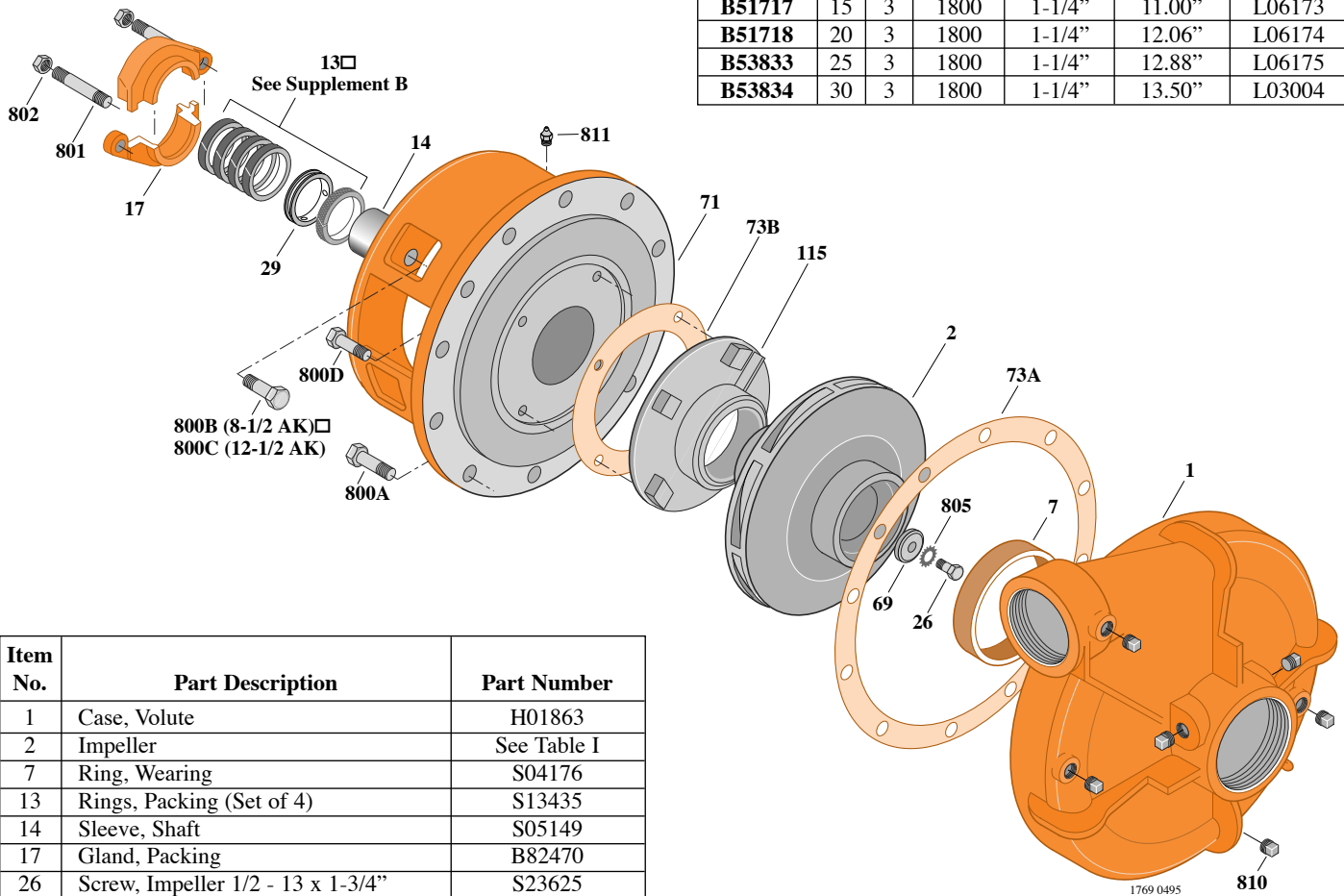
B3JPBL

Threaded Case (NPT)

Packing Construction

TABLE I

| B/M No. | HP | PH | RPM | "U" Dim. | Imp. Dia. | Imp. No. |
|---------|----|----|------|----------|-----------|----------|
| B51717 | 15 | 3 | 1800 | 1-1/4" | 11.00" | L06173 |
| B51718 | 20 | 3 | 1800 | 1-1/4" | 12.06" | L06174 |
| B53833 | 25 | 3 | 1800 | 1-1/4" | 12.88" | L06175 |
| B53834 | 30 | 3 | 1800 | 1-1/4" | 13.50" | L03004 |



| Item No. | Part Description | Part Number |
|----------|---------------------------------------|--------------|
| 1 | Case, Volute | H01863 |
| 2 | Impeller | See Table I |
| 7 | Ring, Wearing | S04176 |
| 13 | Rings, Packing (Set of 4) | S13435 |
| 14 | Sleeve, Shaft | S05149 |
| 17 | Gland, Packing | B82470 |
| 26 | Screw, Impeller 1/2 - 13 x 1-3/4" | S23625 |
| 29 | Ring, Lantern | S19200 |
| 32 | Key, 1/4 x 2-1/4" (See Note) | S23677 |
| 69 | Washer, Impeller | S06319 |
| 71 | Bracket | See Table II |
| 73A | Gasket, Volute | S06271 |
| 73B | Gasket, Balance Ring | S09943 |
| 115 | Ring, Balance | M05115 |
| 800A | Capscrew, 5/8 - 11 x 1-1/2" (12 Req.) | S26999 |
| 800B | Capscrew, 1/2 - 13 x 1-1/2" (4 Req.) | S26916 |
| 800C | Capscrew, 3/8 - 16 x 1-1/2" (4 Req.) | S26830 |
| 802 | Nut, Hex 3/8 - 16 (2 Req.) | S23343 |
| 801 | Stud, 3/8 - 16 x 2-1/2" (2 Req.) | S04438 |
| 805 | Washer, Lock | S23038 |
| 810 | Plug, Pipe 1/2 NPT (6 Req.) | S23717 |
| 811 | Fitting, Grease | S23700 |
| 812 | Elbow, Street | S25421 |

TABLE II

| HP | PH | Bracket No. | "AK" Fit | "U" Dim. | Motor Frame |
|----|----|-------------|----------|----------|-------------|
| 15 | 3 | H02384 | 8-1/2" | 1-1/4" | 254JP |
| 20 | 3 | H02384 | 8-1/2" | 1-1/4" | 256JP |
| 25 | 3 | H01601 | 12-1/2" | 1-1/4" | 284JP |
| 30 | 3 | H01601 | 12-1/2" | 1-1/4" | 286JP |

NOTE: For an explanation of the tabulated material found on this page and for impeller key location, refer to *Supplement A* located at the beginning of this section.



TYPE "B" SINGLE STAGE CENTRIFUGAL PUMP Electric Motor Drive

| | |
|-------------------|-----------------|
| Section | CC |
| Page | 230.2 |
| Date | January 1, 2004 |
| Supersedes 6/1/95 | |

CAST IRON IMPELLER

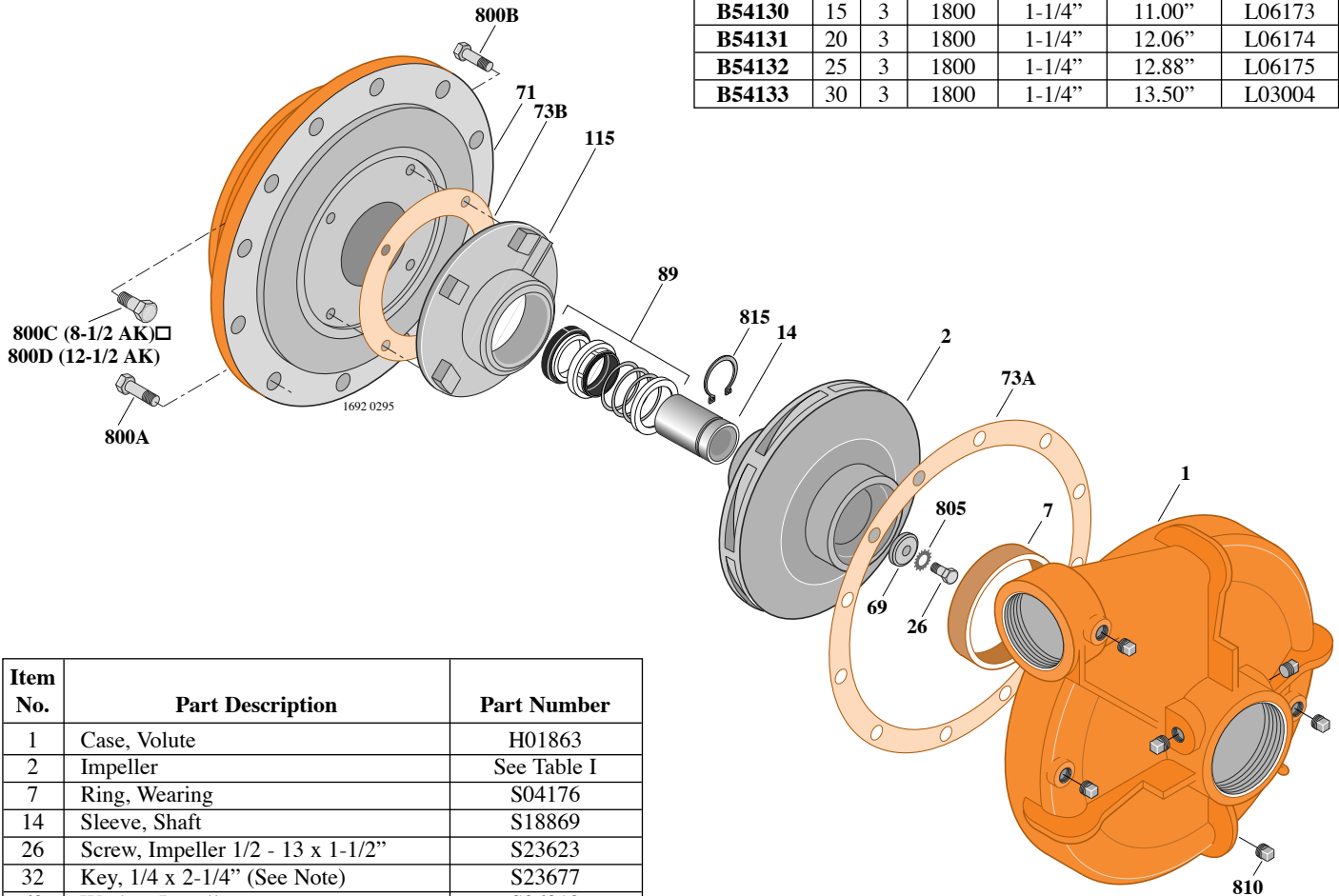
B3JPBLS

Threaded Case (NPT)

Mechanical Shaft Seal Construction

TABLE I

| B/M No. | HP | PH | RPM | "U" Dim. | Imp. Dia. | Imp. No. |
|---------------|----|----|------|----------|-----------|----------|
| B54130 | 15 | 3 | 1800 | 1-1/4" | 11.00" | L06173 |
| B54131 | 20 | 3 | 1800 | 1-1/4" | 12.06" | L06174 |
| B54132 | 25 | 3 | 1800 | 1-1/4" | 12.88" | L06175 |
| B54133 | 30 | 3 | 1800 | 1-1/4" | 13.50" | L03004 |



| Item No. | Part Description | Part Number |
|----------|--|--------------|
| 1 | Case, Volute | H01863 |
| 2 | Impeller | See Table I |
| 7 | Ring, Wearing | S04176 |
| 14 | Sleeve, Shaft | S18869 |
| 26 | Screw, Impeller 1/2 - 13 x 1-1/2" | S23623 |
| 32 | Key, 1/4 x 2-1/4" (See Note) | S23677 |
| 69 | Washer, Impeller | S06319 |
| 71 | Bracket | See Table II |
| 73A | Gasket, Volute Case | S06271 |
| 73B | Gasket, Balance Ring | S09943 |
| 89 | Seal, Mechanical Shaft | S32015 |
| 115 | Ring, Balance | M06646 |
| 800A | Capscrew, 5/8 - 11 x 1-1/2" (12 Req.) (8-1/2 AK) | S26999 |
| 800A | Capscrew, 5/8 - 11 x 1-1/2" (16 Req.) (12-1/2 AK) | S26999 |
| 800B | Capscrew, 1/2 - 13 x 1-1/2" (4 Req.) (8-1/2 AK Only) | S26916 |
| 800C | Capscrew, 3/8 - 16 x 1" (4 Req.) | S26826 |
| 805 | Washer, Lock | S23038 |
| 810 | Plug, Pipe 1/2 NPT (6 Req.) | S23717 |
| 815 | Ring, Retaining | S16767 |

TABLE II

| HP | PH | Bracket No. | "AK" Fit | "U" Dim. | Motor Frame |
|----|----|-------------|----------|----------|-------------|
| 15 | 3 | H03300 | 8-1/2" | 1-1/4" | 254JM |
| 20 | 3 | H03300 | 8-1/2" | 1-1/4" | 256JM |
| 25 | 3 | H03301 | 12-1/2" | 1-1/4" | 284JM |
| 30 | 3 | H03301 | 12-1/2" | 1-1/4" | 286JM |

NOTE: For an explanation of the tabulated material found on this page and for impeller key location, refer to *Supplement A* located at the beginning of this section.



TYPE "B" SINGLE STAGE CENTRIFUGAL PUMP Electric Motor Drive

| | |
|-------------------|-----------------|
| Section | CC |
| Page | 230.3 |
| Date | January 1, 2004 |
| Supersedes 9/1/97 | |

SILICON BRONZE IMPELLER

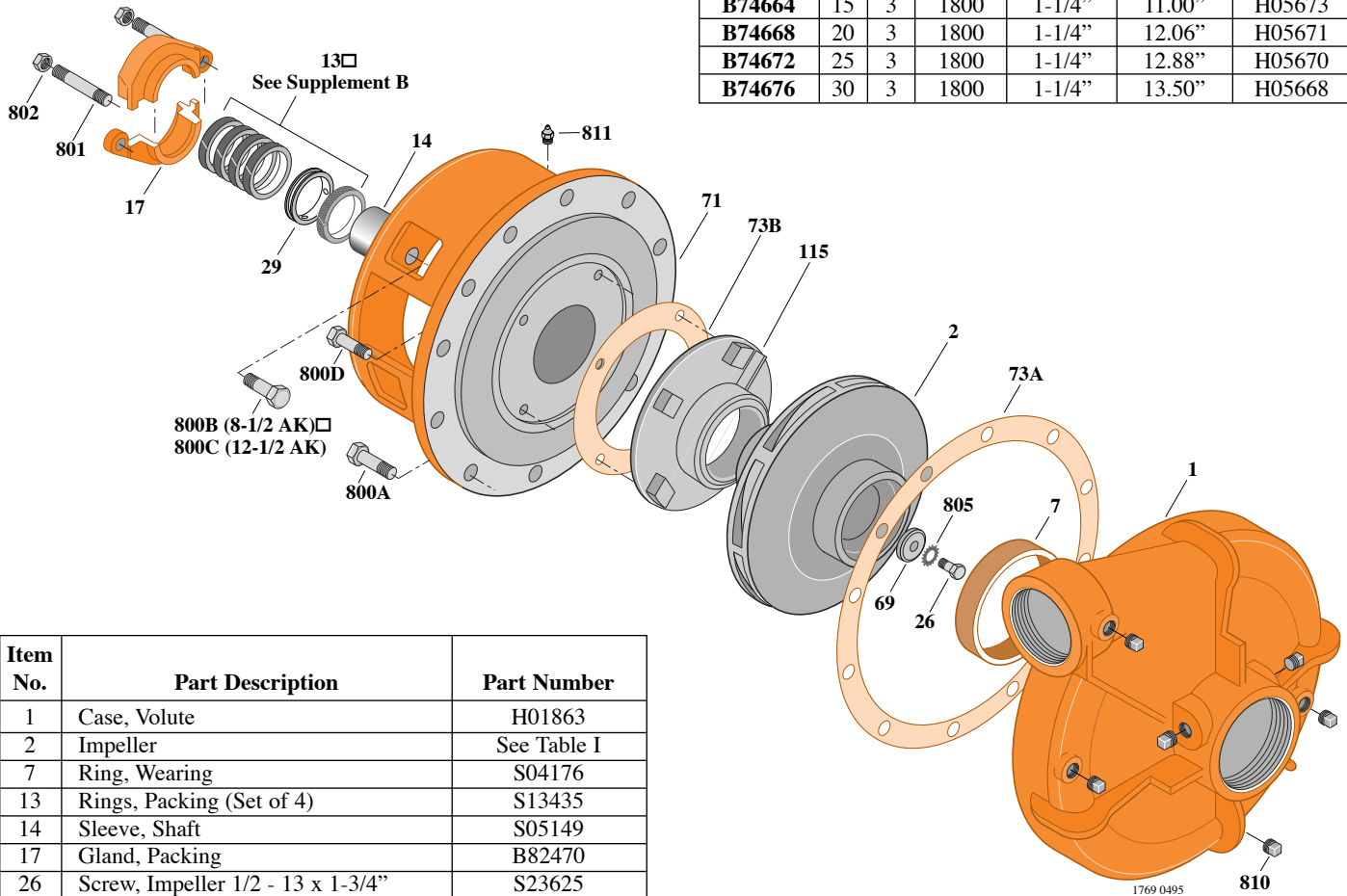
B3JPBL

Threaded Case (NPT)

Packing Construction

TABLE I

| B/M No. | HP | PH | RPM | "U" Dim. | Imp. Dia. | Imp. No. |
|---------------|----|----|------|----------|-----------|----------|
| B74664 | 15 | 3 | 1800 | 1-1/4" | 11.00" | H05673 |
| B74668 | 20 | 3 | 1800 | 1-1/4" | 12.06" | H05671 |
| B74672 | 25 | 3 | 1800 | 1-1/4" | 12.88" | H05670 |
| B74676 | 30 | 3 | 1800 | 1-1/4" | 13.50" | H05668 |



| Item No. | Part Description | Part Number |
|----------|---------------------------------------|--------------|
| 1 | Case, Volute | H01863 |
| 2 | Impeller | See Table I |
| 7 | Ring, Wearing | S04176 |
| 13 | Rings, Packing (Set of 4) | S13435 |
| 14 | Sleeve, Shaft | S05149 |
| 17 | Gland, Packing | B82470 |
| 26 | Screw, Impeller 1/2 - 13 x 1-3/4" | S23625 |
| 29 | Ring, Lantern | S19200 |
| 32 | Key, 1/4 x 2-1/4" (See Note) | S23677 |
| 69 | Washer, Impeller | S06319 |
| 71 | Bracket | See Table II |
| 73A | Gasket, Volute | S06271 |
| 73B | Gasket, Balance Ring | S09943 |
| 115 | Ring, Balance | M05115 |
| 800A | Capscrew, 5/8 - 11 x 1-1/2" (12 Req.) | S26999 |
| 800B | Capscrew, 1/2 - 13 x 1-1/2" (4 Req.) | S26916 |
| 800C | Capscrew, 5/8 - 11 x 1-1/2" (4 Req.) | S26999 |
| 800D | Capscrew, 3/8 - 16 x 1-1/2" (4 Req.) | S26830 |
| 802 | Nut, Hex 3/8 - 16 (2 Req.) | S23343 |
| 801 | Stud, 3/8 - 16 x 2-1/2" (2 Req.) | S04438 |
| 805 | Washer, Lock | S23038 |
| 810 | Plug, Pipe 1/2" NPT (6 Req.) | S23717 |
| 811 | Fitting, Grease | S23700 |

TABLE II

| HP | PH | Bracket No. | "AK" Fit | "U" Dim. | Motor Frame |
|----|----|-------------|----------|----------|-------------|
| 15 | 3 | H02384 | 8-1/2" | 1-1/4" | 254JP |
| 20 | 3 | H02384 | 8-1/2" | 1-1/4" | 256JP |
| 25 | 3 | H01601 | 12-1/2" | 1-1/4" | 284JP |
| 30 | 3 | H01601 | 12-1/2" | 1-1/4" | 286JP |

NOTE: For an explanation of the tabulated material found on this page and for impeller key location, refer to *Supplement A* located at the beginning of this section.



TYPE "B" SINGLE STAGE CENTRIFUGAL PUMP Electric Motor Drive

| | |
|-------------------|-----------------|
| Section | CC |
| Page | 230.4 |
| Date | January 1, 2004 |
| Supersedes 9/1/97 | |

SILICON BRONZE IMPELLER

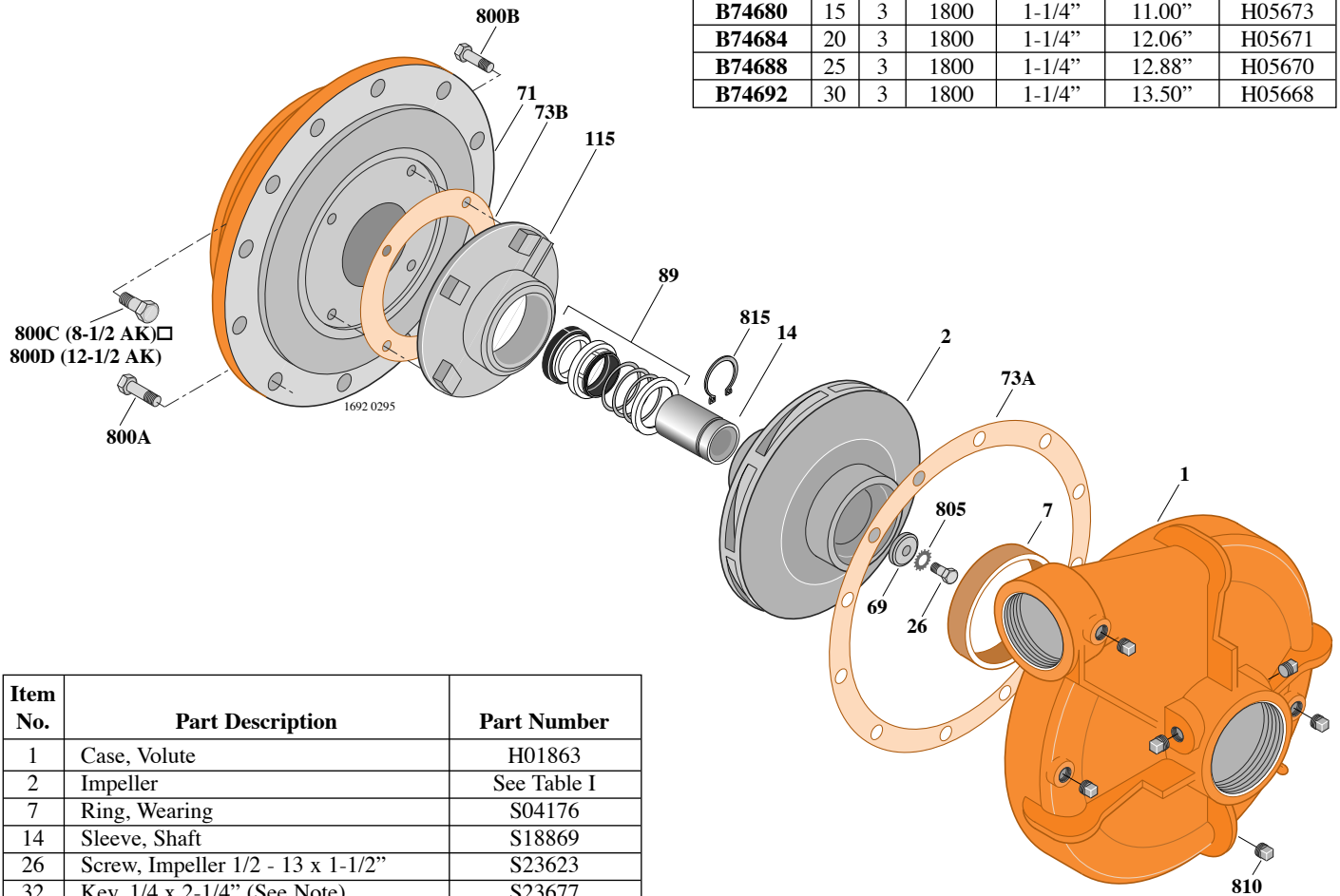
B3JPBLS

Threaded Case (NPT)

Mechanical Shaft Seal Construction

TABLE I

| B/M No. | HP | PH | RPM | "U" Dim. | Imp. Dia. | Imp. No. |
|---------------|----|----|------|----------|-----------|----------|
| B74680 | 15 | 3 | 1800 | 1-1/4" | 11.00" | H05673 |
| B74684 | 20 | 3 | 1800 | 1-1/4" | 12.06" | H05671 |
| B74688 | 25 | 3 | 1800 | 1-1/4" | 12.88" | H05670 |
| B74692 | 30 | 3 | 1800 | 1-1/4" | 13.50" | H05668 |



| Item No. | Part Description | Part Number |
|----------|---------------------------------------|--------------|
| 1 | Case, Volute | H01863 |
| 2 | Impeller | See Table I |
| 7 | Ring, Wearing | S04176 |
| 14 | Sleeve, Shaft | S18869 |
| 26 | Screw, Impeller 1/2 - 13 x 1-1/2" | S23623 |
| 32 | Key, 1/4 x 2-1/4" (See Note) | S23677 |
| 69 | Washer, Impeller | S06319 |
| 71 | Bracket | See Table II |
| 73A | Gasket, Volute Case | S06271 |
| 73B | Gasket, Balance Ring | S09943 |
| 89 | Seal, Mechanical Shaft | S32015 |
| 115 | Ring, Balance | M06646 |
| 800A | Capscrew, 5/8 - 11 x 1-1/2" (12 Req.) | S26999 |
| 800B | Capscrew, 3/8 - 16 x 1" (4 Req.) | S26826 |
| 800C | Capscrew, 1/2 - 13 x 1-1/2" (4 Req.) | S26916 |
| 800D | Capscrew, 5/8 - 11 x 1-1/2" (4 Req.) | S26999 |
| 805 | Washer, Lock | S23038 |
| 810 | Plug, Pipe 1/2" NPT (6 Req.) | S23717 |
| 815 | Ring, Retaining | S16767 |
| • | Plug, Pipe 1/8" NPT (In Bracket) | S23714 |

• Not illustrated.

TABLE II

| HP | PH | Bracket No. | "AK" Fit | "U" Dim. | Motor Frame |
|----|----|-------------|----------|----------|-------------|
| 15 | 3 | H03300 | 8-1/2" | 1-1/4" | 254JM |
| 20 | 3 | H03300 | 8-1/2" | 1-1/4" | 256JM |
| 25 | 3 | H03301 | 12-1/2" | 1-1/4" | 284JM |
| 30 | 3 | H03301 | 12-1/2" | 1-1/4" | 286JM |

NOTE: For an explanation of the tabulated material found on this page and for impeller key location, refer to *Supplement A* located at the beginning of this section.

NOTE: For seal flush line details, see *Supplement D*.



TYPE "B" SINGLE STAGE CENTRIFUGAL PUMP Electric Motor Drive

| | |
|-------------------|-----------------|
| Section | CC |
| Page | 240.1 |
| Date | January 1, 2004 |
| Supersedes 6/1/95 | |

CAST IRON IMPELLER

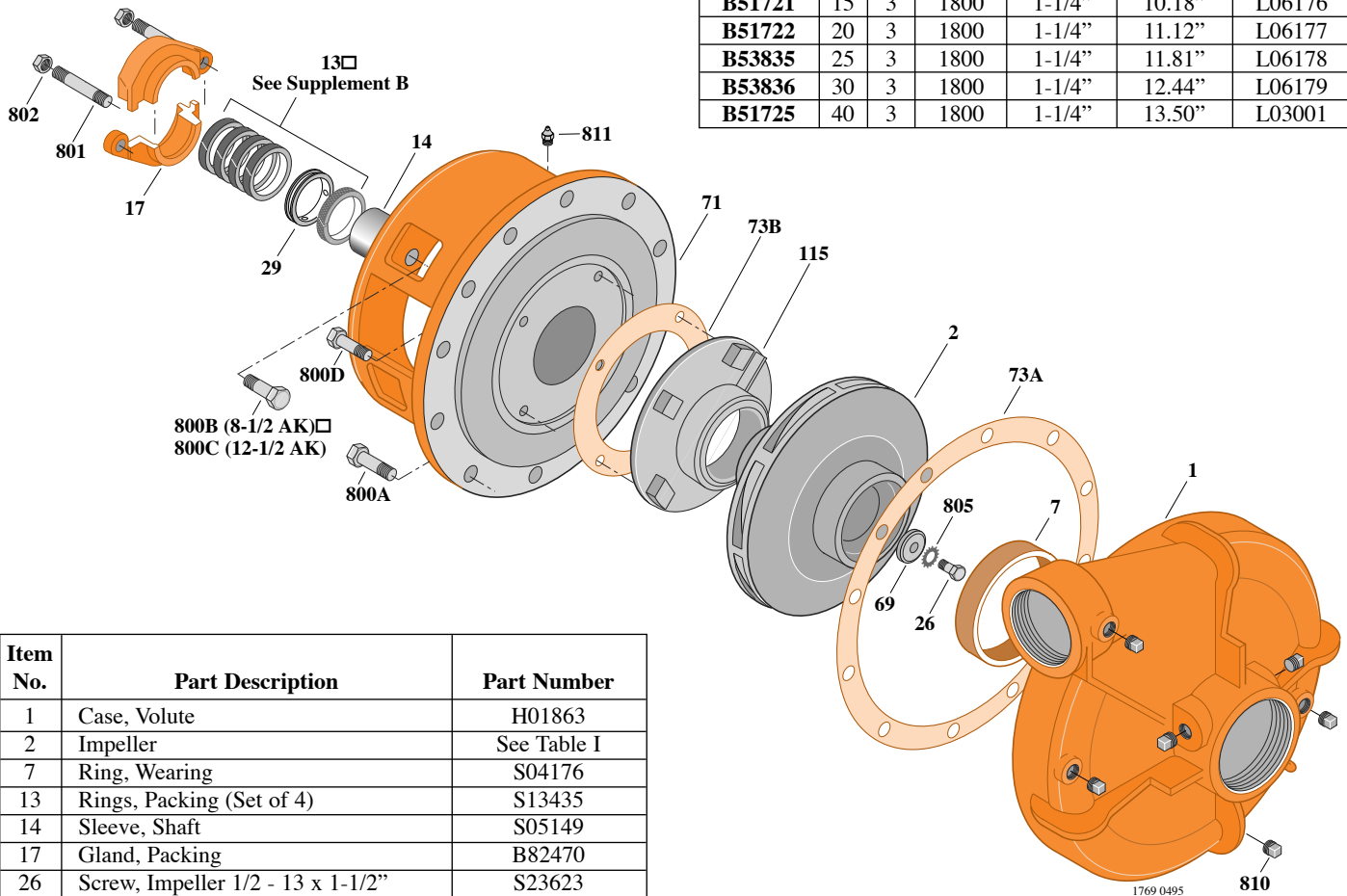
B3JPBM

Threaded Case (NPT)

Packing Construction

TABLE I

| B/M No. | HP | PH | RPM | "U" Dim. | Imp. Dia. | Imp. No. |
|---------|----|----|------|----------|-----------|----------|
| B51721 | 15 | 3 | 1800 | 1-1/4" | 10.18" | L06176 |
| B51722 | 20 | 3 | 1800 | 1-1/4" | 11.12" | L06177 |
| B53835 | 25 | 3 | 1800 | 1-1/4" | 11.81" | L06178 |
| B53836 | 30 | 3 | 1800 | 1-1/4" | 12.44" | L06179 |
| B51725 | 40 | 3 | 1800 | 1-1/4" | 13.50" | L03001 |



| Item No. | Part Description | Part Number |
|----------|---------------------------------------|--------------|
| 1 | Case, Volute | H01863 |
| 2 | Impeller | See Table I |
| 7 | Ring, Wearing | S04176 |
| 13 | Rings, Packing (Set of 4) | S13435 |
| 14 | Sleeve, Shaft | S05149 |
| 17 | Gland, Packing | B82470 |
| 26 | Screw, Impeller 1/2 - 13 x 1-1/2" | S23623 |
| 29 | Ring, Lantern | S19200 |
| 32 | Key, 1/4 x 2-1/4" (See Note) | S23677 |
| 69 | Washer, Impeller | S06319 |
| 71 | Bracket | See Table II |
| 73A | Gasket, Volute | S06271 |
| 73B | Gasket, Balance Ring | S09943 |
| 115 | Ring, Balance | M05115 |
| 800A | Capscrew, 5/8 - 11 x 1-1/2" (12 Req.) | S26999 |
| 800B | Capscrew, 1/2 - 13 x 1-1/2" (4 Req.) | S26916 |
| 800C | Capscrew, 3/8 - 16 x 1-1/2" (4 Req.) | S26830 |
| 801 | Stud, 3/8 - 16 x 2-1/2" (2 Req.) | S04438 |
| 802 | Nut, Hex 3/8 - 16 (2 Req.) | S23343 |
| 805 | Washer, Lock | S23038 |
| 810 | Plug, Pipe 1/2 NPT (6 Req.) | S23717 |
| 811 | Fitting, Grease | S23700 |
| 812 | Elbow, Street | S25421 |

TABLE II

| HP | PH | Bracket No. | "AK" Fit | "U" Dim. | Motor Frame |
|----|----|-------------|----------|----------|-------------|
| 15 | 3 | H02384 | 8-1/2" | 1-1/4" | 254JP |
| 20 | 3 | H02384 | 8-1/2" | 1-1/4" | 256JP |
| 25 | 3 | H01601 | 12-1/2" | 1-1/4" | 284JP |
| 30 | 3 | H01601 | 12-1/2" | 1-1/4" | 286JP |
| 40 | 3 | H01601 | 12-1/2" | 1-1/4" | 324JP |

NOTE: For an explanation of the tabulated material found on this page and for impeller key location, refer to *Supplement A* located at the beginning of this section.



TYPE "B" SINGLE STAGE CENTRIFUGAL PUMP Electric Motor Drive

| | |
|-------------------|-----------------|
| Section | CC |
| Page | 240.2 |
| Date | January 1, 2004 |
| Supersedes 6/1/95 | |

CAST IRON IMPELLER

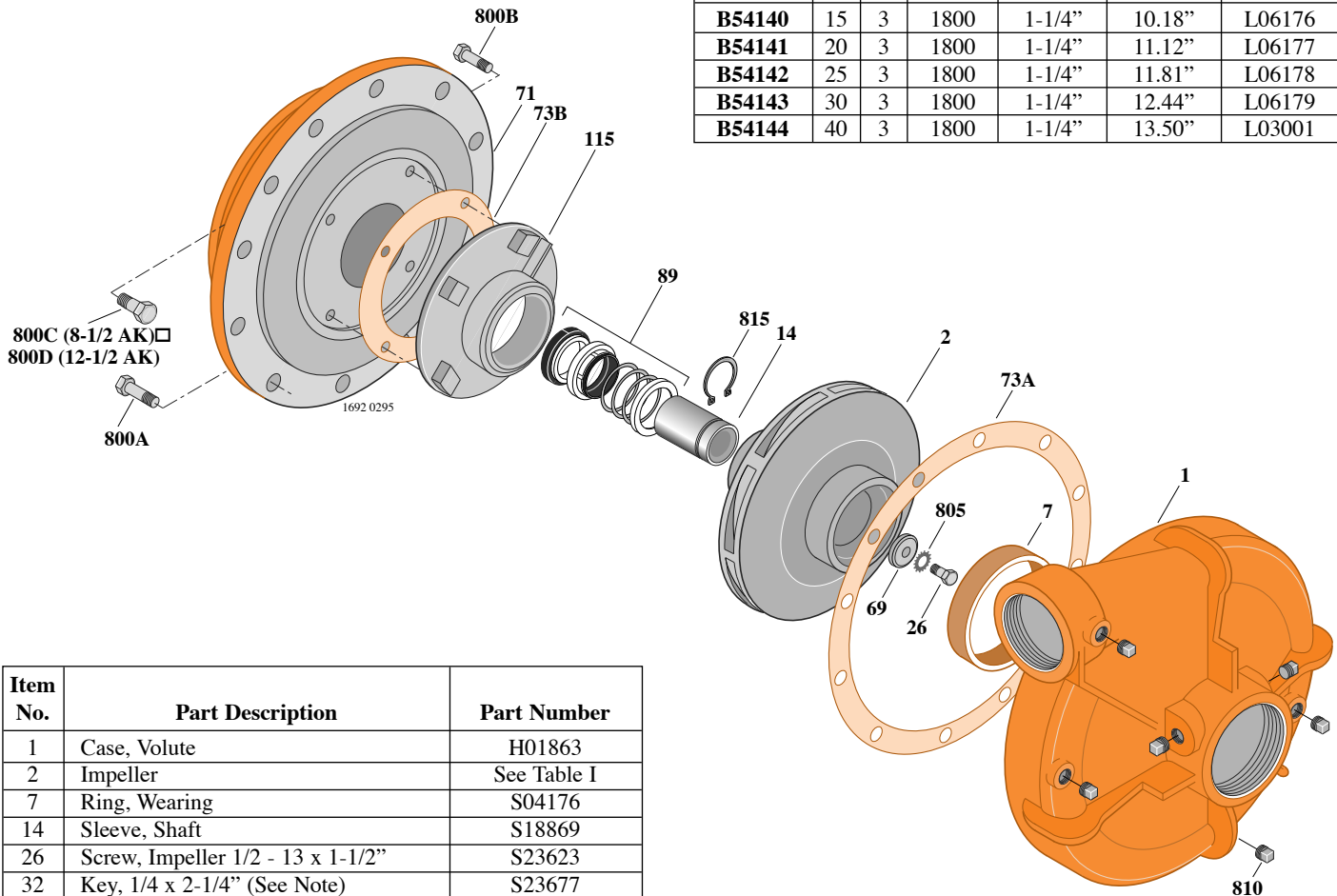
B3JPBMS

Threaded Case (NPT)

Mechanical Shaft Seal Construction

TABLE I

| B/M No. | HP | PH | RPM | "U" Dim. | Imp. Dia. | Imp. No. |
|---------|----|----|------|----------|-----------|----------|
| B54140 | 15 | 3 | 1800 | 1-1/4" | 10.18" | L06176 |
| B54141 | 20 | 3 | 1800 | 1-1/4" | 11.12" | L06177 |
| B54142 | 25 | 3 | 1800 | 1-1/4" | 11.81" | L06178 |
| B54143 | 30 | 3 | 1800 | 1-1/4" | 12.44" | L06179 |
| B54144 | 40 | 3 | 1800 | 1-1/4" | 13.50" | L03001 |



| Item No. | Part Description | Part Number |
|----------|--|--------------|
| 1 | Case, Volute | H01863 |
| 2 | Impeller | See Table I |
| 7 | Ring, Wearing | S04176 |
| 14 | Sleeve, Shaft | S18869 |
| 26 | Screw, Impeller 1/2 - 13 x 1-1/2" | S23623 |
| 32 | Key, 1/4 x 2-1/4" (See Note) | S23677 |
| 69 | Washer, Impeller | S06319 |
| 71 | Bracket | See Table II |
| 73A | Gasket, Volute Case | S06271 |
| 73B | Gasket, Balance Ring | S09943 |
| 89 | Seal, Mechanical Shaft | S32015 |
| 115 | Ring, Balance | M06646 |
| 800A | Capscrew, 5/8 - 11 x 1-1/2" (12 Req.) (8-1/2 AK) | S26999 |
| 800A | Capscrew, 5/8 - 11 x 1-1/2" (16 Req.) (12-1/2 AK) | S26999 |
| 800B | Capscrew, 1/2 - 13 x 1-1/2" (4 Req.) (8-1/2 AK Only) | S26916 |
| 800C | Capscrew, 3/8 - 16 x 1" (4 Req.) | S26826 |
| 805 | Washer, Lock | S23038 |
| 810 | Plug, Pipe 1/2 NPT (6 Req.) | S23717 |
| 815 | Ring, Retaining | S16767 |

TABLE II

| HP | PH | Bracket No. | "AK" Fit | "U" Dim. | Motor Frame |
|----|----|-------------|----------|----------|-------------|
| 15 | 3 | H03300 | 8-1/2" | 1-1/4" | 254JM |
| 20 | 3 | H03300 | 8-1/2" | 1-1/4" | 256JM |
| 25 | 3 | H03301 | 12-1/2" | 1-1/4" | 284JM |
| 30 | 3 | H03301 | 12-1/2" | 1-1/4" | 286JM |
| 40 | 3 | H03301 | 12-1/2" | 1-1/4" | 324JM |

NOTE: For an explanation of the tabulated material found on this page and for impeller key location, refer to *Supplement A* located at the beginning of this section.



TYPE "B" SINGLE STAGE CENTRIFUGAL PUMP Electric Motor Drive

| | |
|-------------------|-----------------|
| Section | CC |
| Page | 240.3 |
| Date | January 1, 2004 |
| Supersedes 9/1/97 | |

SILICON BRONZE IMPELLER

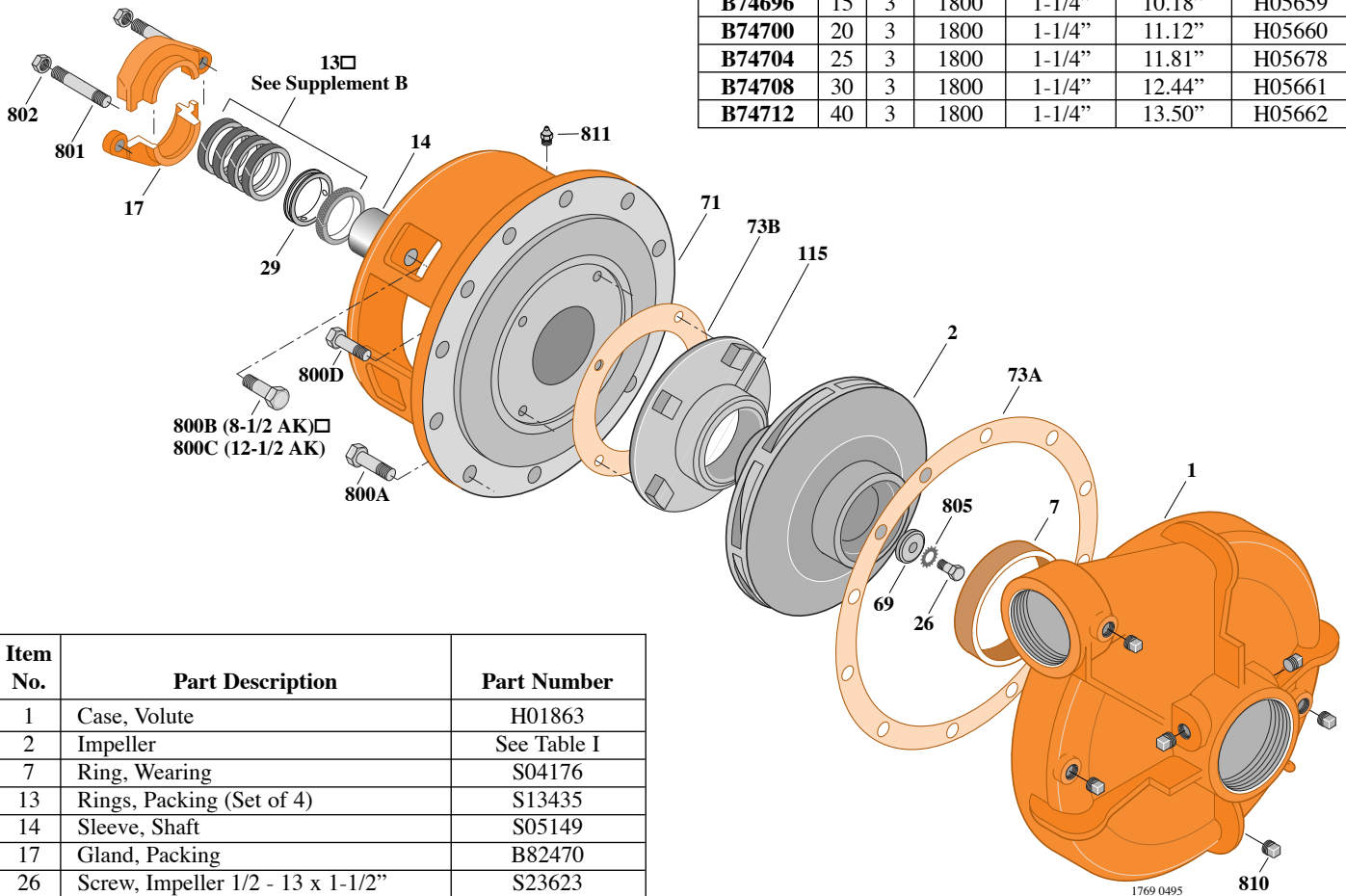
B3JPBM

Threaded Case (NPT)

Packing Construction

TABLE I

| B/M No. | HP | PH | RPM | "U" Dim. | Imp. Dia. | Imp. No. |
|---------|----|----|------|----------|-----------|----------|
| B74696 | 15 | 3 | 1800 | 1-1/4" | 10.18" | H05659 |
| B74700 | 20 | 3 | 1800 | 1-1/4" | 11.12" | H05660 |
| B74704 | 25 | 3 | 1800 | 1-1/4" | 11.81" | H05678 |
| B74708 | 30 | 3 | 1800 | 1-1/4" | 12.44" | H05661 |
| B74712 | 40 | 3 | 1800 | 1-1/4" | 13.50" | H05662 |



| Item No. | Part Description | Part Number |
|----------|---------------------------------------|--------------|
| 1 | Case, Volute | H01863 |
| 2 | Impeller | See Table I |
| 7 | Ring, Wearing | S04176 |
| 13 | Rings, Packing (Set of 4) | S13435 |
| 14 | Sleeve, Shaft | S05149 |
| 17 | Gland, Packing | B82470 |
| 26 | Screw, Impeller 1/2 - 13 x 1-1/2" | S23623 |
| 29 | Ring, Lantern | S19200 |
| 32 | Key, 1/4 x 2-1/4" (See Note) | S23677 |
| 69 | Washer, Impeller | S06319 |
| 71 | Bracket | See Table II |
| 73A | Gasket, Volute | S06271 |
| 73B | Gasket, Balance Ring | S09943 |
| 115 | Ring, Balance | M05115 |
| 800A | Capscrew, 5/8 - 11 x 1-1/2" (12 Req.) | S26999 |
| 800B | Capscrew, 1/2 - 13 x 1-1/2" (4 Req.) | S26916 |
| 800C | Capscrew, 5/8 - 11 x 1-1/2" (4 Req.) | S26999 |
| 800D | Capscrew, 3/8 - 16 x 1-1/2" (4 Req.) | S26830 |
| 801 | Stud, 3/8 - 16 x 2-1/2" (2 Req.) | S04438 |
| 802 | Nut, Hex 3/8 - 16 (2 Req.) | S23343 |
| 805 | Washer, Lock | S23038 |
| 810 | Plug, Pipe 1/2" NPT (6 Req.) | S23717 |
| 811 | Fitting, Grease | S23700 |

TABLE II

| HP | PH | Bracket No. | "AK" Fit | "U" Dim. | Motor Frame |
|----|----|-------------|----------|----------|-------------|
| 15 | 3 | H02384 | 8-1/2" | 1-1/4" | 254JP |
| 20 | 3 | H02384 | 8-1/2" | 1-1/4" | 256JP |
| 25 | 3 | H01601 | 12-1/2" | 1-1/4" | 284JP |
| 30 | 3 | H01601 | 12-1/2" | 1-1/4" | 286JP |
| 40 | 3 | H01601 | 12-1/2" | 1-1/4" | 324JP |

NOTE: For an explanation of the tabulated material found on this page and for impeller key location, refer to *Supplement A* located at the beginning of this section.



TYPE "B" SINGLE STAGE CENTRIFUGAL PUMP Electric Motor Drive

| | |
|-------------------|-----------------|
| Section | CC |
| Page | 240.4 |
| Date | January 1, 2004 |
| Supersedes 9/1/97 | |

SILICON BRONZE IMPELLER

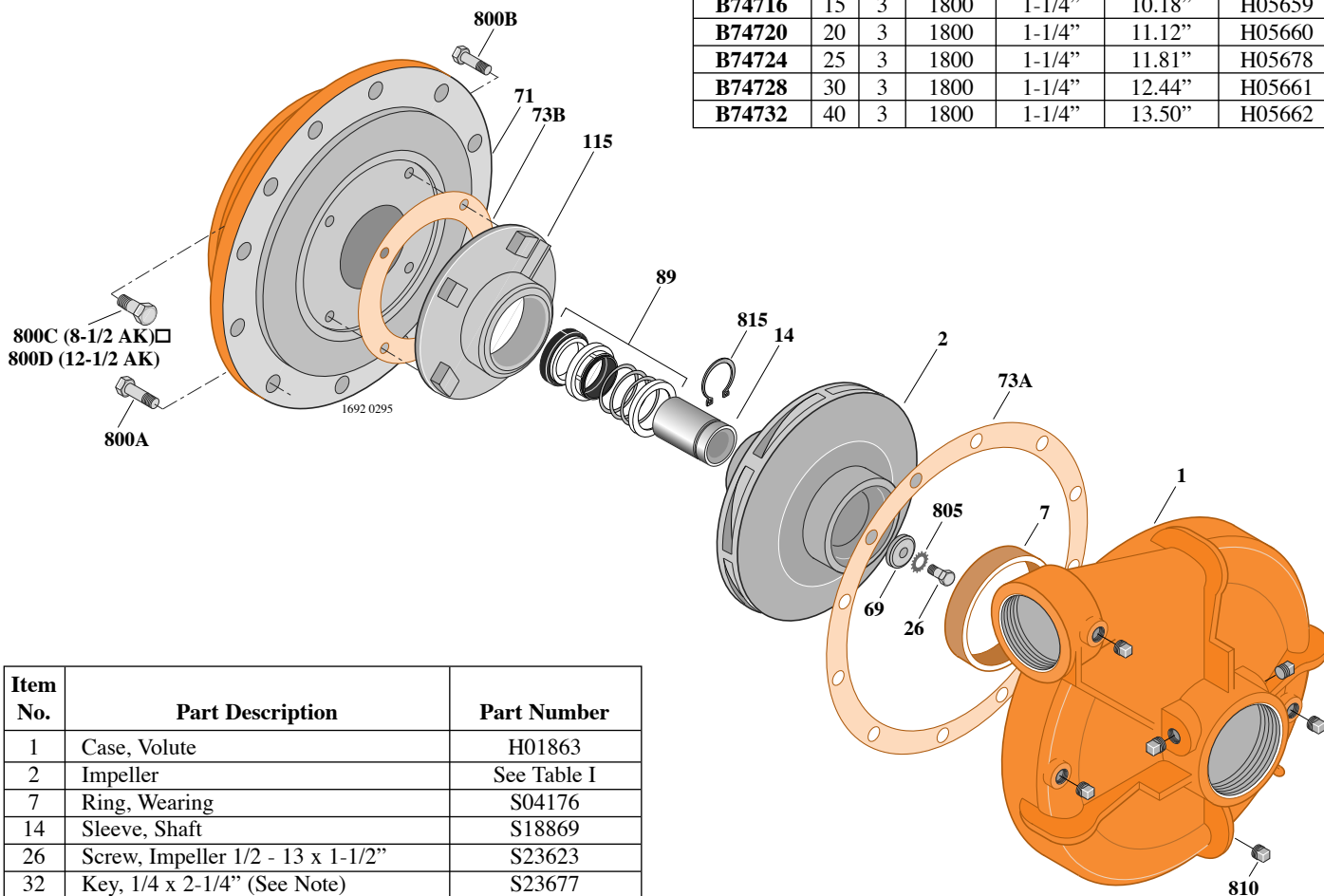
B3JPBMS

Threaded Case (NPT)

Mechanical Shaft Seal Construction

TABLE I

| B/M No. | HP | PH | RPM | "U" Dim. | Imp. Dia. | Imp. No. |
|---------|----|----|------|----------|-----------|----------|
| B74716 | 15 | 3 | 1800 | 1-1/4" | 10.18" | H05659 |
| B74720 | 20 | 3 | 1800 | 1-1/4" | 11.12" | H05660 |
| B74724 | 25 | 3 | 1800 | 1-1/4" | 11.81" | H05678 |
| B74728 | 30 | 3 | 1800 | 1-1/4" | 12.44" | H05661 |
| B74732 | 40 | 3 | 1800 | 1-1/4" | 13.50" | H05662 |



| Item No. | Part Description | Part Number |
|----------|---------------------------------------|--------------|
| 1 | Case, Volute | H01863 |
| 2 | Impeller | See Table I |
| 7 | Ring, Wearing | S04176 |
| 14 | Sleeve, Shaft | S18869 |
| 26 | Screw, Impeller 1/2 - 13 x 1-1/2" | S23623 |
| 32 | Key, 1/4 x 2-1/4" (See Note) | S23677 |
| 69 | Washer, Impeller | S06319 |
| 71 | Bracket | See Table II |
| 73A | Gasket, Volute Case | S06271 |
| 73B | Gasket, Balance Ring | S09943 |
| 89 | Seal, Mechanical Shaft | S32015 |
| 115 | Ring, Balance | M06646 |
| 800A | Capscrew, 5/8 - 11 x 1-1/2" (12 Req.) | S26999 |
| 800B | Capscrew, 3/8 - 16 x 1" (4 Req.) | S26826 |
| 800C | Capscrew, 1/2 - 13 x 1-1/2" (4 Req.) | S26916 |
| 800D | Capscrew, 5/8 - 11 x 1-1/2" (4 Req.) | S26999 |
| 805 | Washer, Lock | S23038 |
| 810 | Plug, Pipe 1/2" NPT (6 Req.) | S23717 |
| 815 | Ring, Retaining | S16767 |
| • | Plug, Pipe 1/8" NPT (In Bracket) | S23714 |

• Not illustrated.

TABLE II

| HP | PH | Bracket No. | "AK" Fit | "U" Dim. | Motor Frame |
|----|----|-------------|----------|----------|-------------|
| 15 | 3 | H03300 | 8-1/2" | 1-1/4" | 254JM |
| 20 | 3 | H03300 | 8-1/2" | 1-1/4" | 256JM |
| 25 | 3 | H03301 | 12-1/2" | 1-1/4" | 284JM |
| 30 | 3 | H03301 | 12-1/2" | 1-1/4" | 286JM |
| 40 | 3 | H03301 | 12-1/2" | 1-1/4" | 324JM |

NOTE: For an explanation of the tabulated material found on this page and for impeller key location, refer to *Supplement A* located at the beginning of this section.

NOTE: For seal flush line details, see *Supplement D*.



Type "B" Single Stage Centrifugal Pump Electric Motor Drive

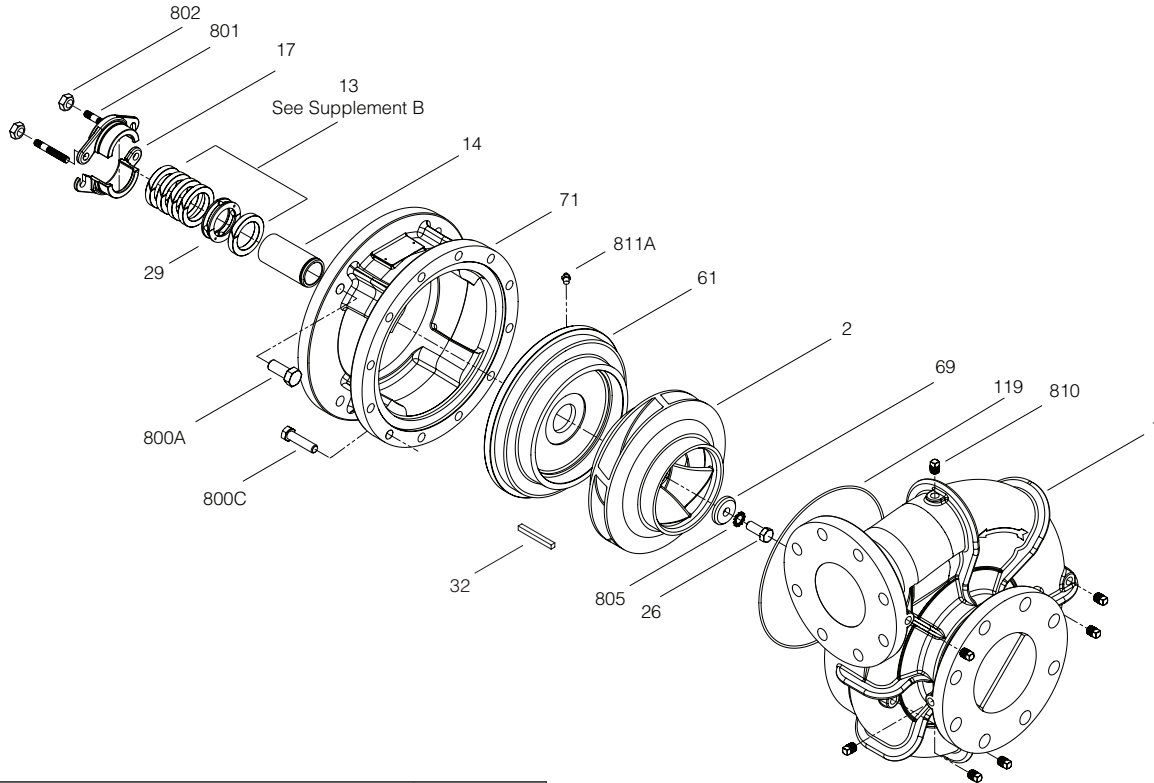
| | |
|---------|-----------------|
| Section | CC |
| Page | 247.1 |
| Date | August 17, 2010 |
| | New |

CAST IRON IMPELLER

B4ZPBH

Flanged Case

Packing Construction



6230 0710

| Item No. | Part Description | Part Number |
|----------|--|-------------|
| 1 | Case, Volute | M15048 |
| 2 | Impeller | See Table I |
| 13 | Ring, Packing (Set of 4) | S13435 |
| 14 | Sleeve, Shaft (Note 2) | B85741 |
| 17 | Gland, Packing | B82470 |
| 26 | Screw, Impeller | S23621 |
| 29 | Ring, Lantern | S19200 |
| 32 | Key, 1/4" X 2-1/4" | S23677 |
| 61 | Plate, Seal | M15047 |
| 69 | Washer, Impeller | S06319 |
| 71 | Bracket | M15044 |
| 119 | O-Ring | M15099 |
| 800A | Screw, 1/2-13NC X 1-1/2" LG CRS (4 rqd) | S26916 |
| 800C | Screw, 1/2-13NC X 2" LG CRS (12 rqd) | S26920 |
| 801 | Stud, 3/8-16NC X 2-1/2" LG 416SS (2 rqd) | S04438 |
| 802 | Nut, Hex, Lock 3/8-16 SS (2 rqd) | M13771 |
| 805 | Washer, Lock | S23038 |
| 810 | Plug, Pipe | S23715 |
| 811A | Fitting, Grease | S23700 |

Table I

| B/M No. | HP | PH | RPM | Imp. Dia. | Imp. No. |
|---------|-----|----|------|-----------|----------|
| B85685 | 20 | 3 | 1800 | 9.50 | M15051 |
| B85687 | 15 | 3 | 1800 | 9.19 | M15298 |
| B85689 | 10 | 3 | 1800 | 8.19 | M15299 |
| B85691 | 7.5 | 3 | 1800 | 7.50 | M15300 |

Table II

| HP | PH | Bracket No. | "AK" Dim. | "U" Dim. | Motor Frame |
|-----|----|-------------|-----------|----------|-------------|
| 20 | 3 | M15044 | 8.50 | 1.25 | 256JP |
| 15 | 3 | M15044 | 8.50 | 1.25 | 254JP |
| 10 | 3 | M15044 | 8.50 | 1.25 | 215JP |
| 7.5 | 3 | M15044 | 8.50 | 1.25 | 213JP |

NOTES

- 1 Impeller kit B85754 includes items 26, 32, 69, 119, 805
- 2 Shaft sleeve kit B85741 includes item 14, adhesive and instruction sheet



Type "B" Single Stage Centrifugal Pump Electric Motor Drive

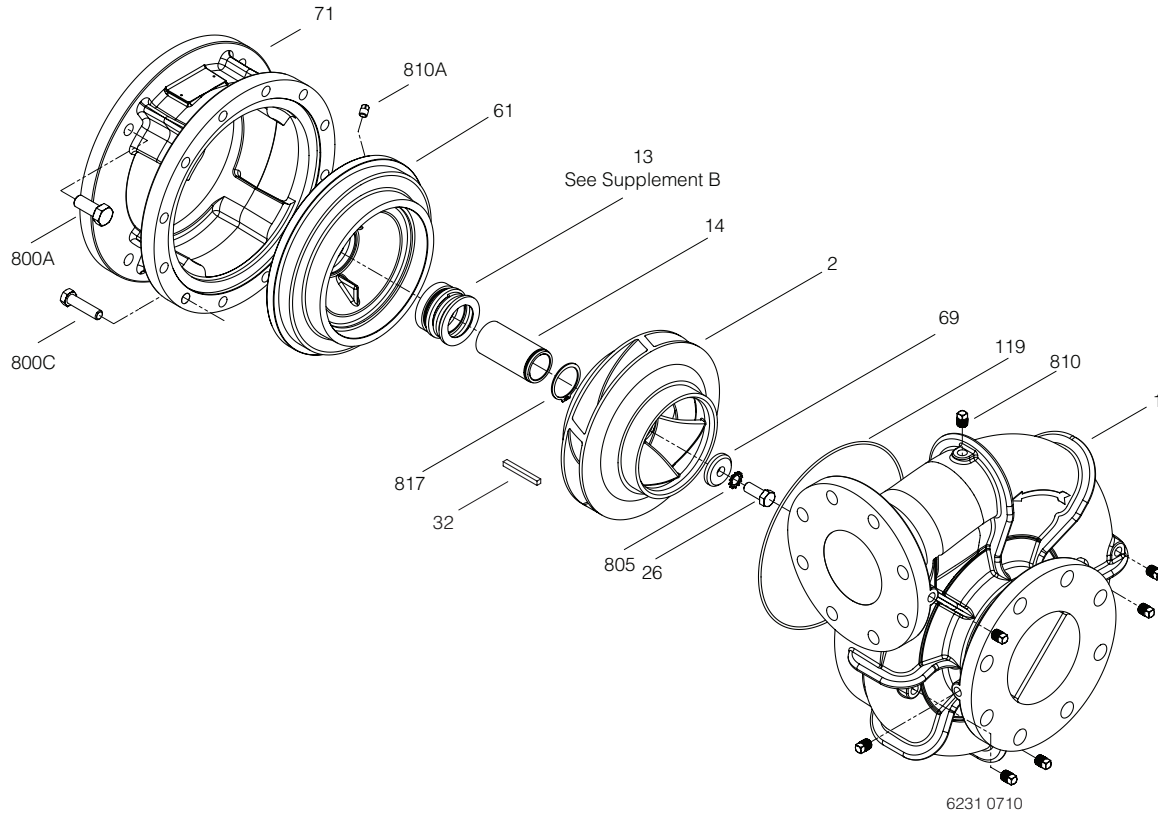
| | |
|---------|-----------------|
| Section | CC |
| Page | 247.2 |
| Date | August 17, 2010 |
| | New |

CAST IRON IMPELLER

B4ZPBHS

Flanged Case

Mechanical Shaft Seal Construction



| Item No. | Part Description | Part Number |
|----------|--|-------------|
| 1 | Case, Volute | M15048 |
| 2 | Impeller | See Table I |
| 13 | Seal, Shaft | S32015 |
| 14 | Sleeve, Shaft (Note 2) | B85741 |
| 26 | Screw, Impeller | S23621 |
| 32 | Key, 1/4" X 2-1/4" | S23677 |
| 61 | Plate, Seal | M15046 |
| 69 | Washer, Impeller | S06319 |
| 71 | Bracket | M15044 |
| 119 | O-Ring | M15099 |
| 800A | Screw, 1/2-13NC X 1-1/2 LG CRS (4 rqd) | S26916 |
| 800C | Screw, 1/2-13NC X 2 LG CRS (12 rqd) | S26920 |
| 805 | Washer, Lock | S23038 |
| 810 | Plug, Pipe | S23715 |
| 810A | Plug, Pipe | U78-56ZPS |
| 817 | Ring, Retaining | S16767 |

Table I

| B/M No. | HP | PH | RPM | Imp. Dia. | Imp. No. |
|---------|-----|----|------|-----------|----------|
| B85686 | 20 | 3 | 1800 | 9.50 | M15051 |
| B85688 | 15 | 3 | 1800 | 9.19 | M15298 |
| B85690 | 10 | 3 | 1800 | 8.19 | M15299 |
| B85692 | 7.5 | 3 | 1800 | 7.50 | M15300 |

Table II

| HP | PH | Bracket No. | "AK" Dim. | "U" Dim. | Motor Frame |
|-----|----|-------------|-----------|----------|-------------|
| 20 | 3 | M15044 | 8.50 | 1.25 | 256JP |
| 15 | 3 | M15044 | 8.50 | 1.25 | 254JP |
| 10 | 3 | M15044 | 8.50 | 1.25 | 215JP |
| 7.5 | 3 | M15044 | 8.50 | 1.25 | 213JP |

NOTES

- 1 Impeller kit B85754 includes items 26, 32, 69, 119, 805
- 2 Shaft sleeve kit B85741 includes item 14, adhesive and instruction sheet



TYPE "B" SINGLE STAGE CENTRIFUGAL PUMP Electric Motor Drive

| | |
|-------------------|-----------------|
| Section | CC |
| Page | 250.1 |
| Date | January 1, 2004 |
| Supersedes 6/1/95 | |

CAST IRON IMPELLER

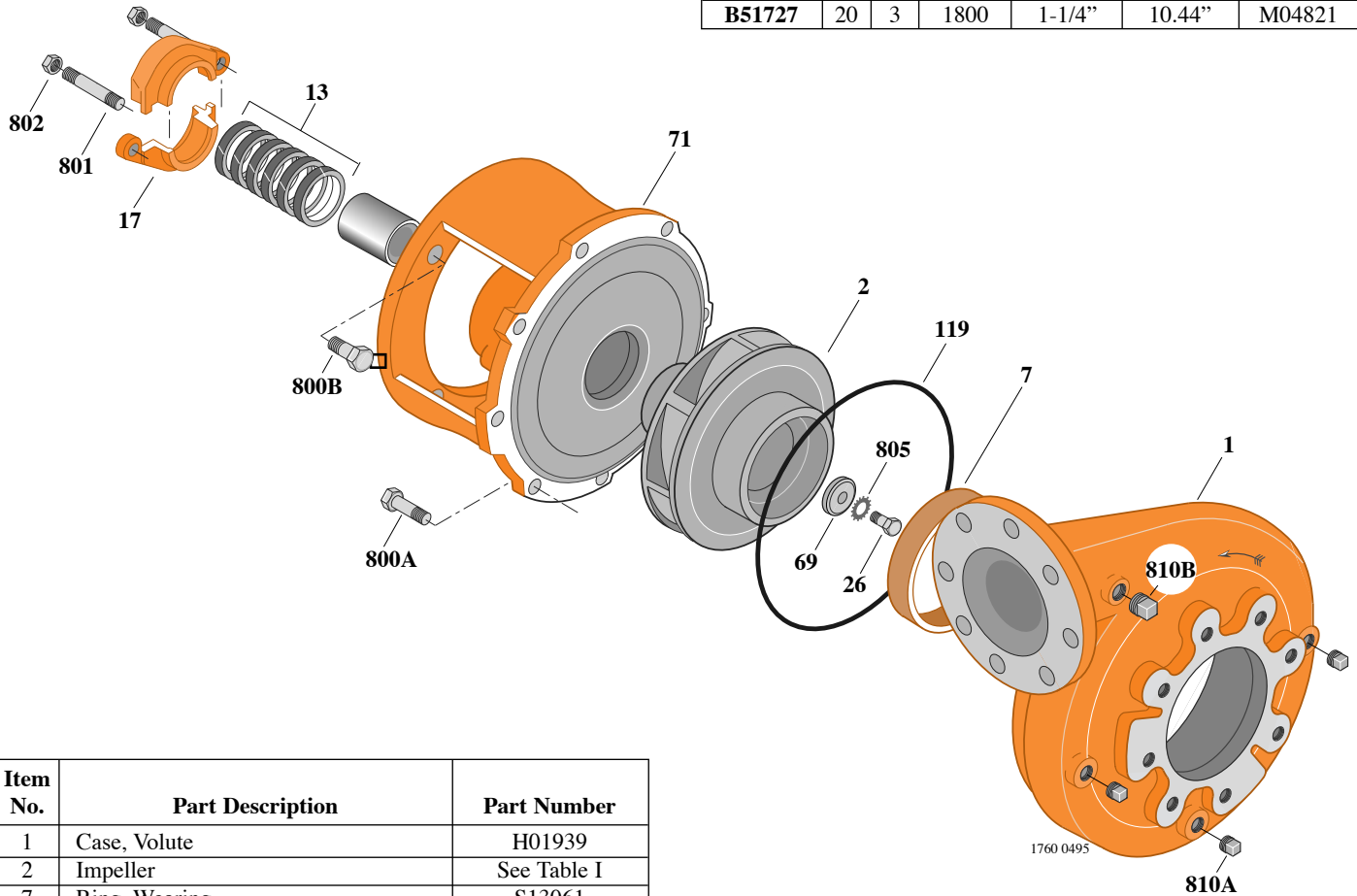
B4EPM

Flanged Case

Packing Construction

TABLE I

| B/M No. | HP | PH | RPM | "U" Dim. | Imp. Dia. | Imp. No. |
|---------|----|----|------|----------|-----------|----------|
| B51726 | 15 | 3 | 1800 | 1-1/4" | 9.88" | M07704 |
| B51727 | 20 | 3 | 1800 | 1-1/4" | 10.44" | M04821 |



| Item No. | Part Description | Part Number |
|----------|--------------------------------------|--------------|
| 1 | Case, Volute | H01939 |
| 2 | Impeller | See Table I |
| 7 | Ring, Wearing | S13061 |
| 13 | Rings, Packing (Set of 6) | S13470 |
| 14 | Sleeve, Shaft | S05149 |
| 17 | Gland, Packing | B82470 |
| 26 | Screw, Impeller 1/2 - 13 x 1-3/4" | S23625 |
| 32 | Key, 1/4 x 2-1/4" (See Note) | S23677 |
| 69 | Washer, Impeller | S06319 |
| 71 | Bracket | See Table II |
| 119 | O-Ring | S13760 |
| 801 | Stud, 3/8 - 16 x 2-1/2" (2 Req.) | S04438 |
| 802 | Nut, Hex 3/8 - 16 (2 Req.) | S23343 |
| 805 | Washer, Lock | S23038 |
| 800A | Capscrew, 1/2 - 13 x 1-1/4" (8 Req.) | S26914 |
| 800B | Capscrew, 1/2 - 13 x 1-1/2" (4 Req.) | S26916 |
| 810A | Plug, Pipe 1/4 NPT (3 Req.) | S23715 |
| 810B | Plug, Pipe 1/2 NPT (2 Req.) | S23717 |

TABLE II

| HP | PH | Bracket No. | "AK" Fit | "U" Dim. | Motor Frame |
|----|----|-------------|----------|----------|-------------|
| 15 | 3 | L03637 | 8-1/2" | 1-1/4" | 254JP |
| 20 | 3 | L03637 | 8-1/2" | 1-1/4" | 256JP |

NOTE: For an explanation of the tabulated material found on this page and for impeller key location, refer to *Supplement A* located at the beginning of this section.



TYPE "B" SINGLE STAGE CENTRIFUGAL PUMP Electric Motor Drive

| | |
|-------------------|-----------------|
| Section | CC |
| Page | 250.2 |
| Date | January 1, 2004 |
| Supersedes 6/1/95 | |

CAST IRON IMPELLER

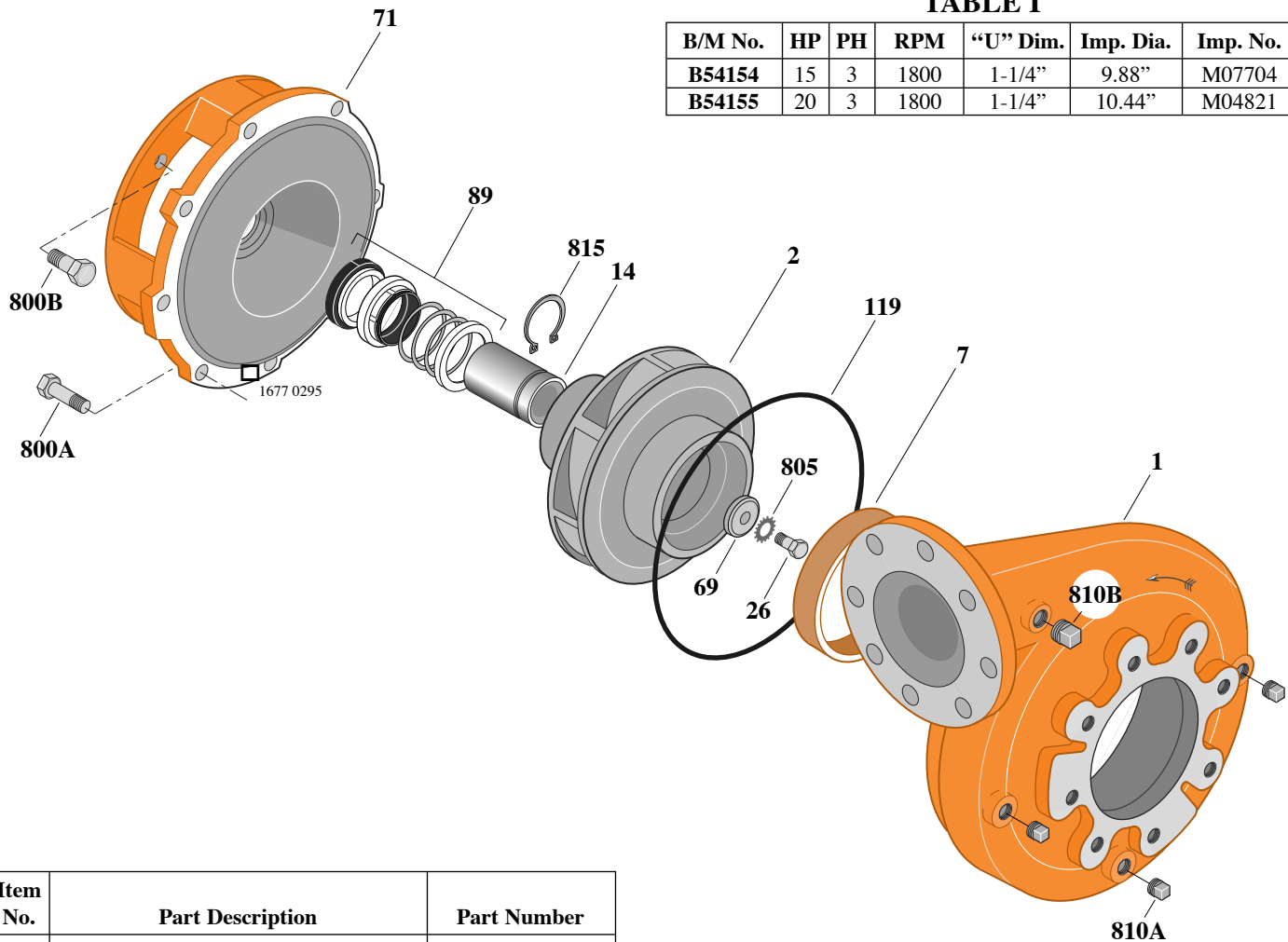
B4EPMS

Flanged Case

Mechanical Shaft Seal Construction

TABLE I

| B/M No. | HP | PH | RPM | "U" Dim. | Imp. Dia. | Imp. No. |
|---------------|----|----|------|----------|-----------|----------|
| B54154 | 15 | 3 | 1800 | 1-1/4" | 9.88" | M07704 |
| B54155 | 20 | 3 | 1800 | 1-1/4" | 10.44" | M04821 |



| Item No. | Part Description | Part Number |
|----------|--------------------------------------|--------------|
| 1 | Case, Volute | H01939 |
| 2 | Impeller | See Table I |
| 7 | Ring, Wearing | S13061 |
| 14 | Sleeve, Shaft | S18869 |
| 26 | Screw, Impeller 1/2 - 13 x 1-3/4" | S23625 |
| 32 | Key, 1/4 x 2-1/4" (See Note) | S23677 |
| 69 | Washer, Impeller | S06319 |
| 71 | Bracket | See Table II |
| 89 | Seal, Mechanical Shaft | S32015 |
| 119 | O-Ring | S13760 |
| 800A | Capscrew, 1/2 - 13 x 1-1/4" (8 Req.) | S26914 |
| 800B | Capscrew, 1/2 - 13 x 1" (4 Req.) | S26912 |
| 805 | Washer, Lock | S23038 |
| 810A | Plug, Pipe 1/4 NPT (3 Req.) | S23715 |
| 810B | Plug, Pipe 1/2 NPT (2 Req.) | S23717 |
| 815 | Ring, Retaining | S16767 |

TABLE II

| HP | PH | Bracket No. | "AK" Fit | "U" Dim. | Motor Frame |
|----|----|-------------|----------|----------|-------------|
| 15 | 3 | L04616 | 8-1/2" | 1-1/4" | 254JM |
| 20 | 3 | L04616 | 8-1/2" | 1-1/4" | 256JM |

NOTE: For an explanation of the tabulated material found on this page and for impeller key location, refer to *Supplement A* located at the beginning of this section.



TYPE "B" SINGLE STAGE CENTRIFUGAL PUMP Electric Motor Drive

| | |
|----------------|-----------------|
| Section | CC |
| Page | 250.3 |
| Date | January 1, 2004 |
| Supersedes/New | |

BRONZE IMPELLER

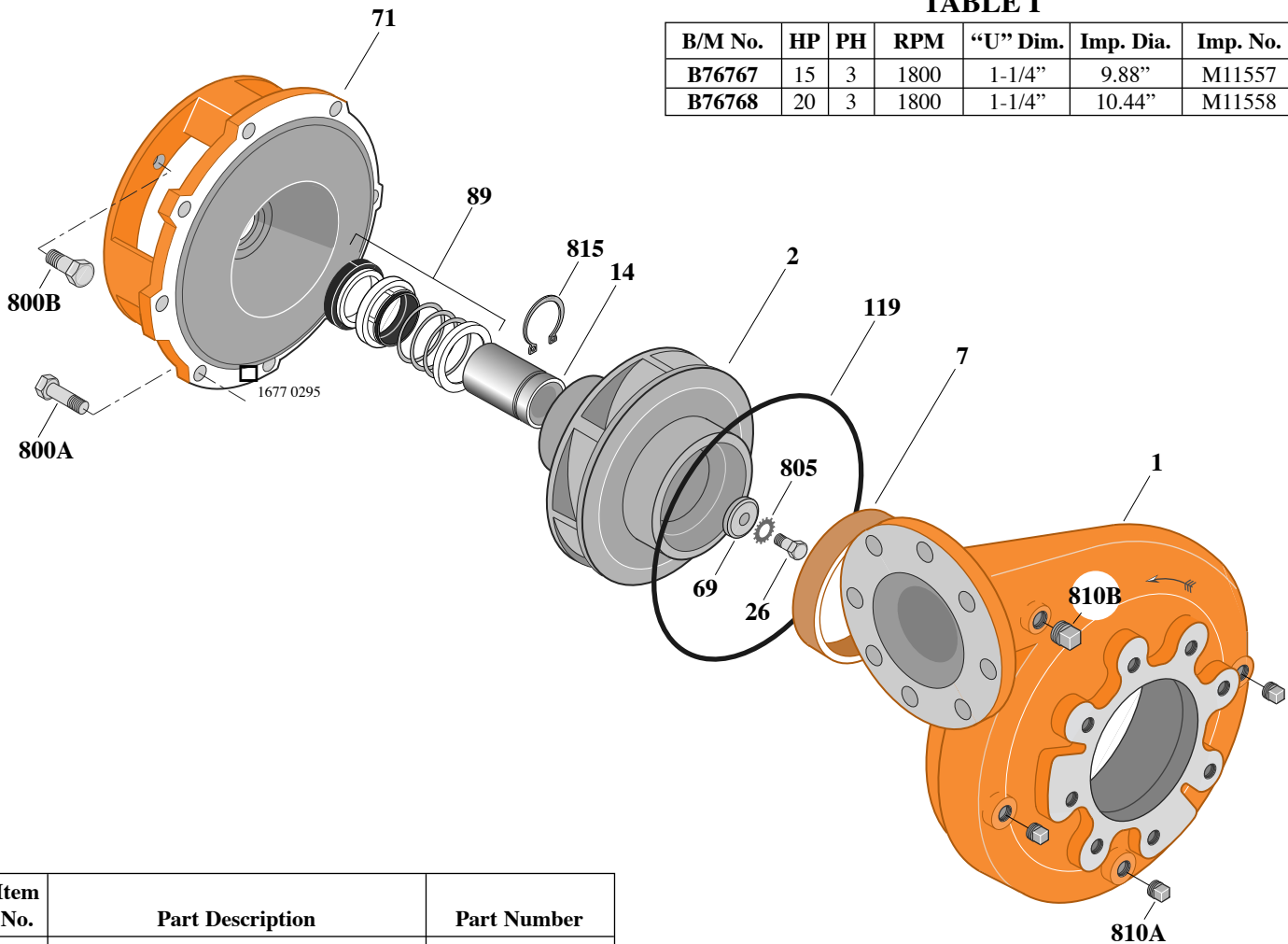
B4EPMS

Flanged Case

Mechanical Shaft Seal Construction

TABLE I

| B/M No. | HP | PH | RPM | "U" Dim. | Imp. Dia. | Imp. No. |
|---------------|----|----|------|----------|-----------|----------|
| B76767 | 15 | 3 | 1800 | 1-1/4" | 9.88" | M11557 |
| B76768 | 20 | 3 | 1800 | 1-1/4" | 10.44" | M11558 |



| Item No. | Part Description | Part Number |
|----------|--------------------------------------|--------------|
| 1 | Case, Volute | H01939 |
| 2 | Impeller | See Table I |
| 7 | Ring, Wearing | S13061 |
| 14 | Sleeve, Shaft | S18869 |
| 26 | Screw, Impeller 1/2 - 13 x 1-3/4" | S23625 |
| 32 | Key, 1/4 x 2-1/4" (See Note) | S23677 |
| 69 | Washer, Impeller | S06319 |
| 71 | Bracket | See Table II |
| 89 | Seal, Mechanical Shaft | S32015 |
| 119 | O-Ring | S13760 |
| 800A | Capscrew, 1/2 - 13 x 1-1/4" (8 Req.) | S26914 |
| 800B | Capscrew, 1/2 - 13 x 1" (4 Req.) | S26912 |
| 805 | Washer, Lock | S23038 |
| 810A | Plug, Pipe 1/4 NPT (3 Req.) | S23715 |
| 810B | Plug, Pipe 1/2 NPT (2 Req.) | S23717 |
| 815 | Ring, Retaining | S16767 |

TABLE II

| HP | PH | Bracket No. | "AK" Fit | "U" Dim. | Motor Frame |
|----|----|-------------|----------|----------|-------------|
| 15 | 3 | L04616 | 8-1/2" | 1-1/4" | 254JM |
| 20 | 3 | L04616 | 8-1/2" | 1-1/4" | 256JM |

NOTE: For an explanation of the tabulated material found on this page and for impeller key location, refer to *Supplement A* located at the beginning of this section.



TYPE "B" SINGLE STAGE CENTRIFUGAL PUMP Electric Motor Drive

| | |
|-------------------|-----------------|
| Section | CC |
| Page | 260.1 |
| Date | January 1, 2004 |
| Supersedes 6/1/95 | |

CAST IRON IMPELLER

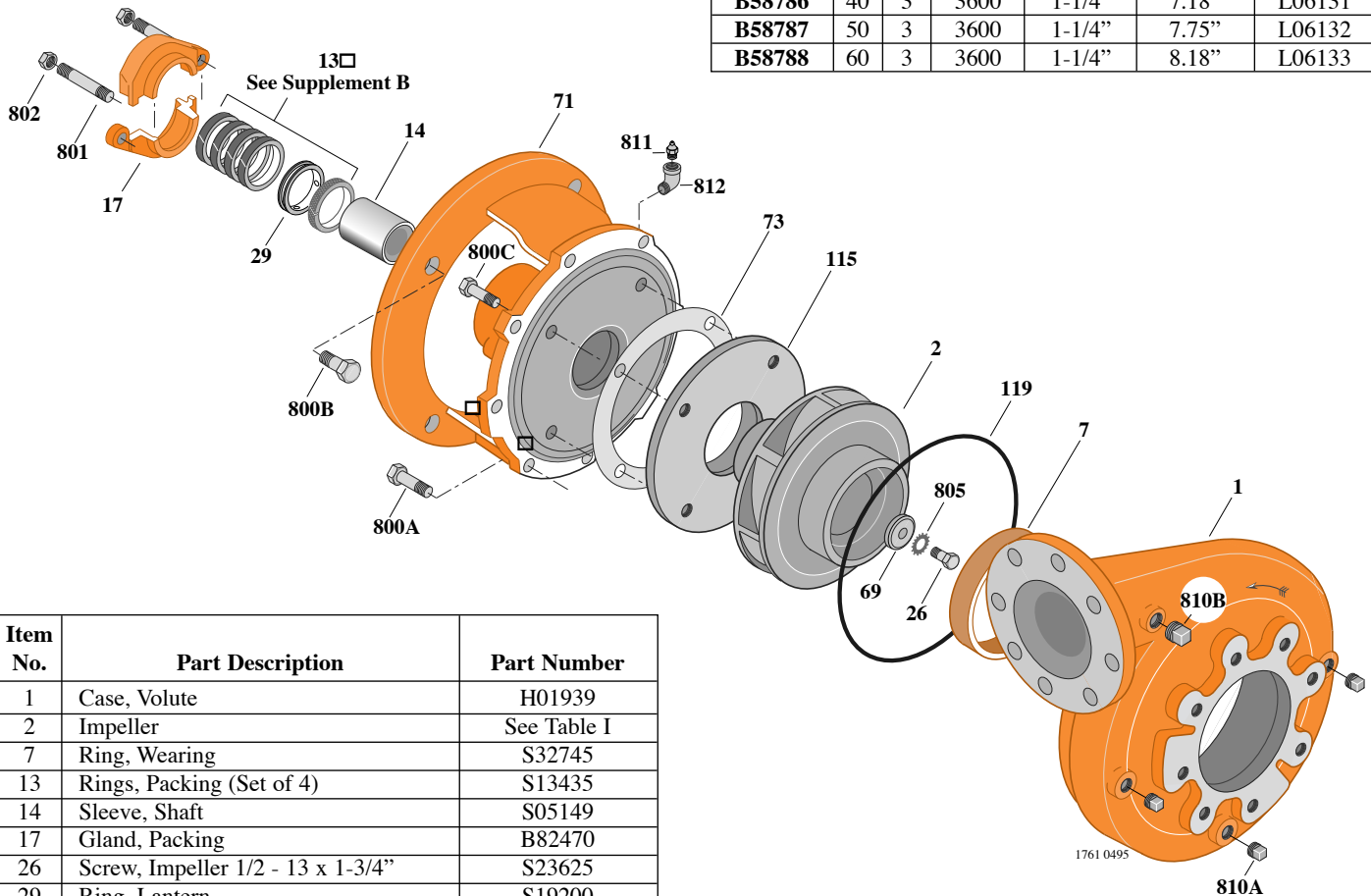
B4EPBM

Flanged Case

Packing Construction

TABLE I

| B/M No. | HP | PH | RPM | "U" Dim. | Imp. Dia. | Imp. No. |
|---------|----|----|------|----------|-----------|----------|
| B58786 | 40 | 3 | 3600 | 1-1/4" | 7.18" | L06131 |
| B58787 | 50 | 3 | 3600 | 1-1/4" | 7.75" | L06132 |
| B58788 | 60 | 3 | 3600 | 1-1/4" | 8.18" | L06133 |



| Item No. | Part Description | Part Number |
|----------|--------------------------------------|--------------|
| 1 | Case, Volute | H01939 |
| 2 | Impeller | See Table I |
| 7 | Ring, Wearing | S32745 |
| 13 | Rings, Packing (Set of 4) | S13435 |
| 14 | Sleeve, Shaft | S05149 |
| 17 | Gland, Packing | B82470 |
| 26 | Screw, Impeller 1/2 - 13 x 1-3/4" | S23625 |
| 29 | Ring, Lantern | S19200 |
| 32 | Key, 1/4 x 2-1/4" (See Note) | S23677 |
| 69 | Washer, Impeller | S18117 |
| 71 | Bracket | See Table II |
| 73 | Gasket, Balance Ring | S09943 |
| 115 | Ring, Balance | L03649 |
| 119 | O-Ring | S13760 |
| 800A | Capscrew, 1/2 - 13 x 1-1/4" (8 Req.) | S26914 |
| 800B | Capscrew, 5/8 - 11 x 1-1/2" (4 Req.) | S26999 |
| 800C | Capscrew, 3/8 - 16 x 1" (4 Req.) | S26826 |
| 801 | Stud, 3/8 - 16 x 2-1/2" (2 Req.) | S04438 |
| 802 | Nut, Hex 3/8 - 16 (2 Req.) | S23343 |
| 805 | Washer, Lock | S23038 |
| 810A | Plug, Pipe 1/4 NPT (3 Req.) | S23715 |
| 810B | Plug, Pipe 1/2 NPT (2 Req.) | S23717 |
| 811 | Fitting, Grease | S23700 |
| 812 | Elbow, Street | S25421 |

TABLE II

| HP | PH | Bracket No. | "AK" Fit | "U" Dim. | Motor Frame |
|----|----|-------------|----------|----------|-------------|
| 40 | 3 | L03497 | 12-1/2" | 1-1/4" | 286JP |
| 50 | 3 | L03497 | 12-1/2" | 1-1/4" | 324JP |
| 60 | 3 | L03497 | 12-1/2" | 1-1/4" | 326JP |

NOTE: For an explanation of the tabulated material found on this page and for impeller key location, refer to *Supplement A* located at the beginning of this section.



TYPE "B" SINGLE STAGE CENTRIFUGAL PUMP Electric Motor Drive

| | |
|-------------------|-----------------|
| Section | CC |
| Page | 260.2 |
| Date | January 1, 2004 |
| Supersedes 6/1/95 | |

CAST IRON IMPELLER

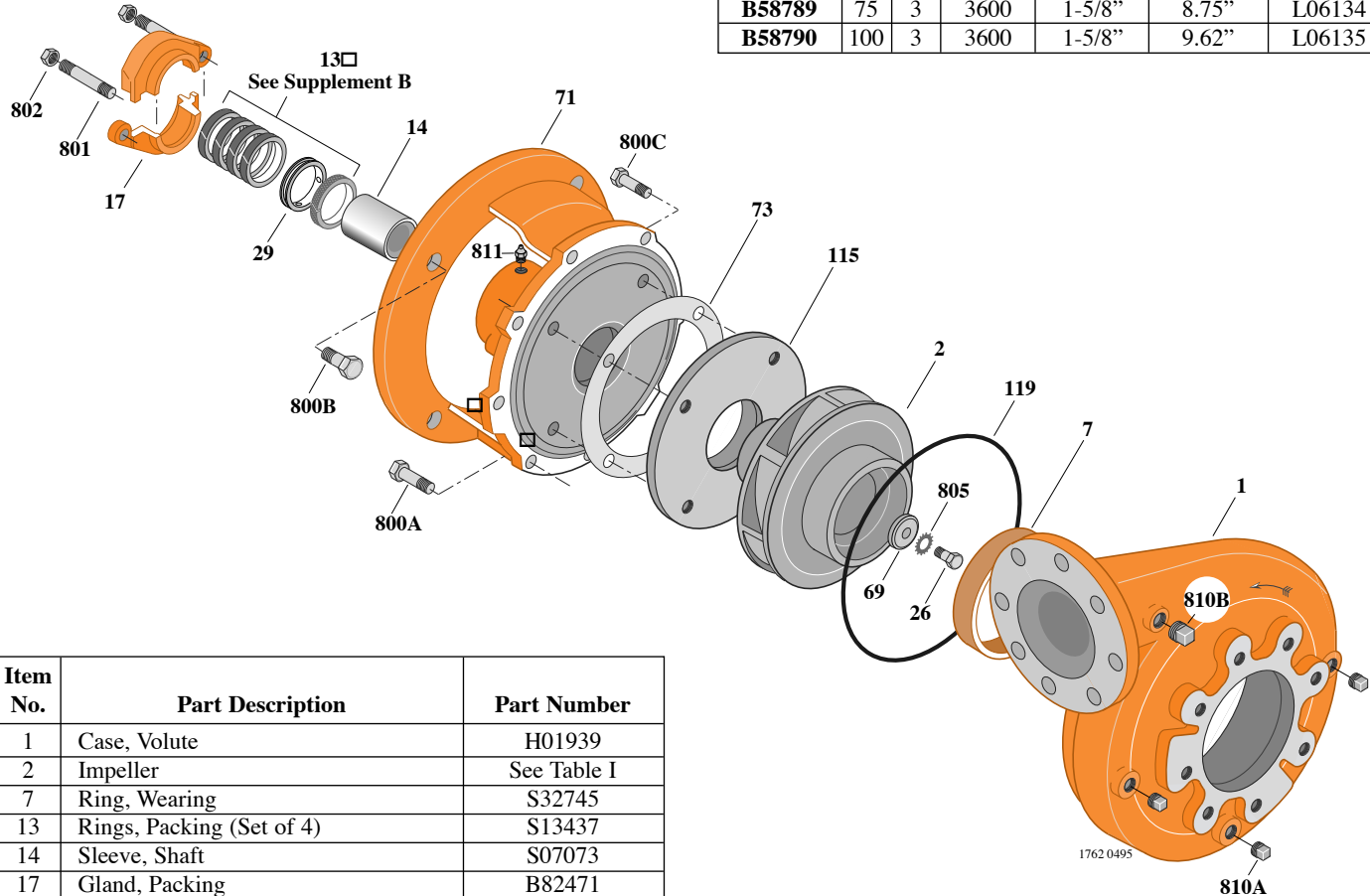
B4EPBM

Flanged Case

Packing Construction

TABLE I

| B/M No. | HP | PH | RPM | "U" Dim. | Imp. Dia. | Imp. No. |
|---------------|-----|----|------|----------|-----------|----------|
| B58789 | 75 | 3 | 3600 | 1-5/8" | 8.75" | L06134 |
| B58790 | 100 | 3 | 3600 | 1-5/8" | 9.62" | L06135 |



| Item No. | Part Description | Part Number |
|----------|--------------------------------------|--------------|
| 1 | Case, Volute | H01939 |
| 2 | Impeller | See Table I |
| 7 | Ring, Wearing | S32745 |
| 13 | Rings, Packing (Set of 4) | S13437 |
| 14 | Sleeve, Shaft | S07073 |
| 17 | Gland, Packing | B82471 |
| 26 | Screw, Impeller 1/2 - 13 x 1-1/2" | S23623 |
| 29 | Ring, Lantern | S19198 |
| 32 | Key, 3/8 x 2-1/4" (See Note) | S23940 |
| 69 | Washer, Impeller | S18801 |
| 71 | Bracket | See Table II |
| 73 | Gasket, Balance Ring | S09943 |
| 115 | Ring, Balance | L03837 |
| 119 | O-Ring | S13760 |
| 800A | Capscrew, 1/2 - 13 x 1-1/4" (8 Req.) | S26914 |
| 800B | Capscrew, 5/8 - 11 x 1-1/2" (4 Req.) | S26999 |
| 800C | Capscrew, 3/8 - 16 x 1" (4 Req.) | S26826 |
| 801 | Stud, 3/8 - 16 x 2-1/2" (2 Req.) | S04438 |
| 802 | Nut, Hex 3/8 - 16 (2 Req.) | S23343 |
| 805 | Washer, Lock | S23038 |
| 810A | Plug, Pipe 1/4 NPT (3 Req.) | S23715 |
| 810B | Plug, Pipe 1/2 NPT (2 Req.) | S23717 |
| 811 | Fitting, Grease | S23700 |

TABLE II

| HP | PH | Bracket No. | "AK" Fit | "U" Dim. | Motor Frame |
|-----|----|-------------|----------|----------|-------------|
| 75 | 3 | L05610 | 12-1/2" | 1-5/8" | 364JP |
| 100 | 3 | L05610 | 12-1/2" | 1-5/8" | 365JP |

NOTE: For an explanation of the tabulated material found on this page and for impeller key location, refer to *Supplement A* located at the beginning of this section.



TYPE "B" SINGLE STAGE CENTRIFUGAL PUMP Electric Motor Drive

| | |
|-------------------|-----------------|
| Section | CC |
| Page | 260.3 |
| Date | January 1, 2004 |
| Supersedes 6/1/95 | |

CAST IRON IMPELLER

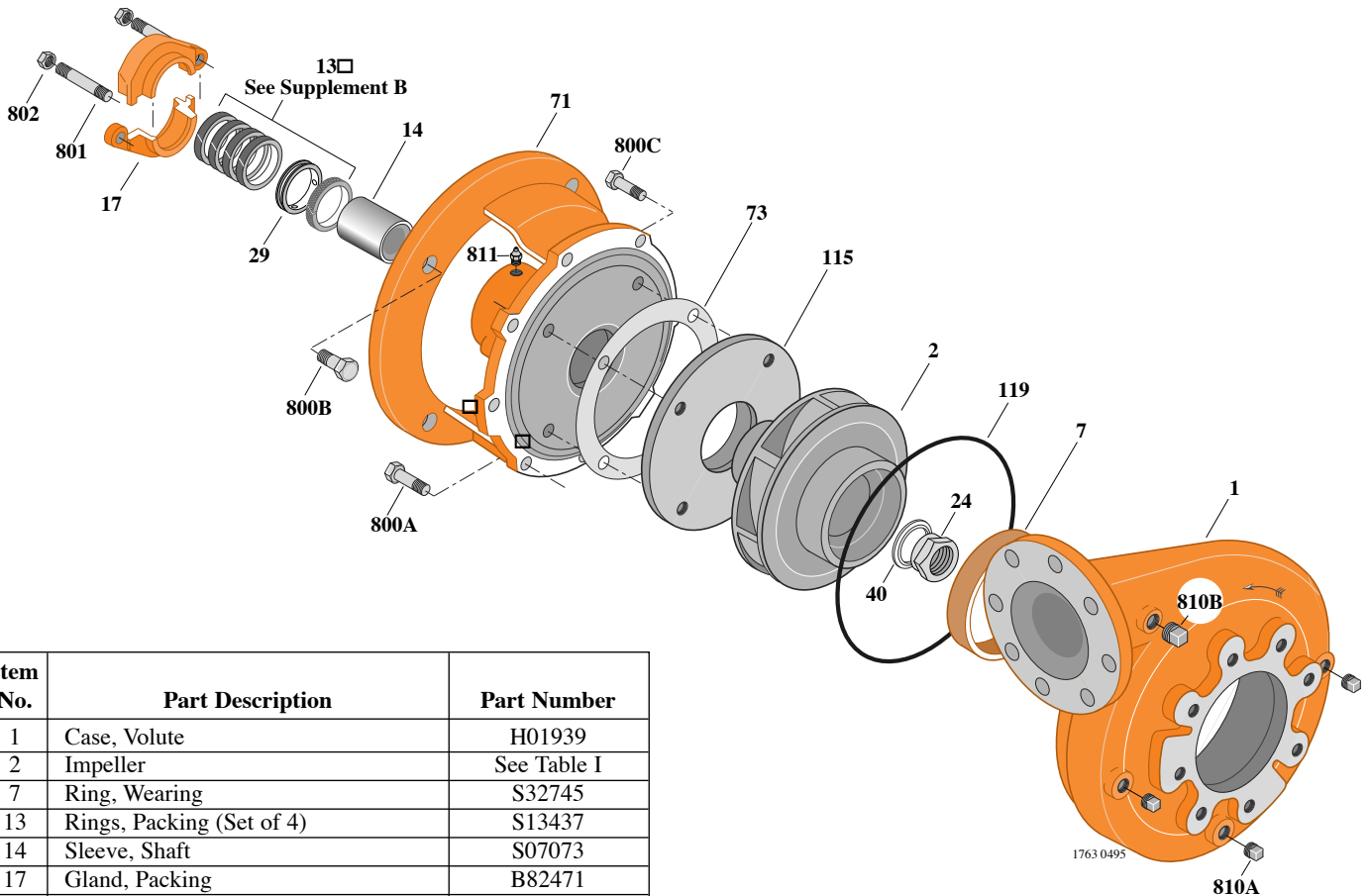
B4EPBM

Flanged Case

Packing Construction

TABLE I

| B/M No. | HP | PH | RPM | "U" Dim. | Imp. Dia. | Imp. No. |
|---------|-----|----|------|----------|-----------|----------|
| B58791 | 125 | 3 | 3600 | 1-5/8" | 10.44" | L05889 |



| Item No. | Part Description | Part Number |
|----------|--------------------------------------|--------------|
| 1 | Case, Volute | H01939 |
| 2 | Impeller | See Table I |
| 7 | Ring, Wearing | S32745 |
| 13 | Rings, Packing (Set of 4) | S13437 |
| 14 | Sleeve, Shaft | S07073 |
| 17 | Gland, Packing | B82471 |
| 24 | Nut, Impeller | S17955 |
| 29 | Ring, Lantern | S19198 |
| 32 | Key, 3/8 x 2-1/4" (See Note) | S23940 |
| 40 | Deflector | S17956 |
| 71 | Bracket | See Table II |
| 73 | Gasket, Balance Ring | S09943 |
| 115 | Ring, Balance | L03837 |
| 119 | O-Ring | S13760 |
| 800A | Capscrew, 1/2 - 13 x 1-1/4" (8 Req.) | S26914 |
| 800B | Capscrew, 5/8 - 11 x 1-1/2" (4 Req.) | S26999 |
| 800C | Capscrew, 3/8 - 16 x 7/8" (4 Req.) | S26825 |
| 801 | Stud, 3/8 - 16 x 2-1/2" (2 Req.) | S04438 |
| 802 | Nut, Hex 3/8 - 16 (2 Req.) | S23343 |
| 810A | Plug, Pipe 1/4 NPT (3 Req.) | S23715 |
| 810B | Plug, Pipe 1/2 NPT (2 Req.) | S23717 |
| 811 | Fitting, Grease | S23700 |

TABLE II

| HP | PH | Bracket No. | "AK" Fit | "U" Dim. | Motor Frame |
|-----|----|-------------|----------|----------|-------------|
| 125 | 3 | L05610 | 12-1/2" | 1-5/8" | 404TC |

NOTE: For an explanation of the tabulated material found on this page and for impeller key location, refer to *Supplement A* located at the beginning of this section.



TYPE "B" SINGLE STAGE CENTRIFUGAL PUMP Electric Motor Drive

| | |
|-------------------|-----------------|
| Section | CC |
| Page | 260.4 |
| Date | January 1, 2004 |
| Supersedes 6/1/95 | |

CAST IRON IMPELLER

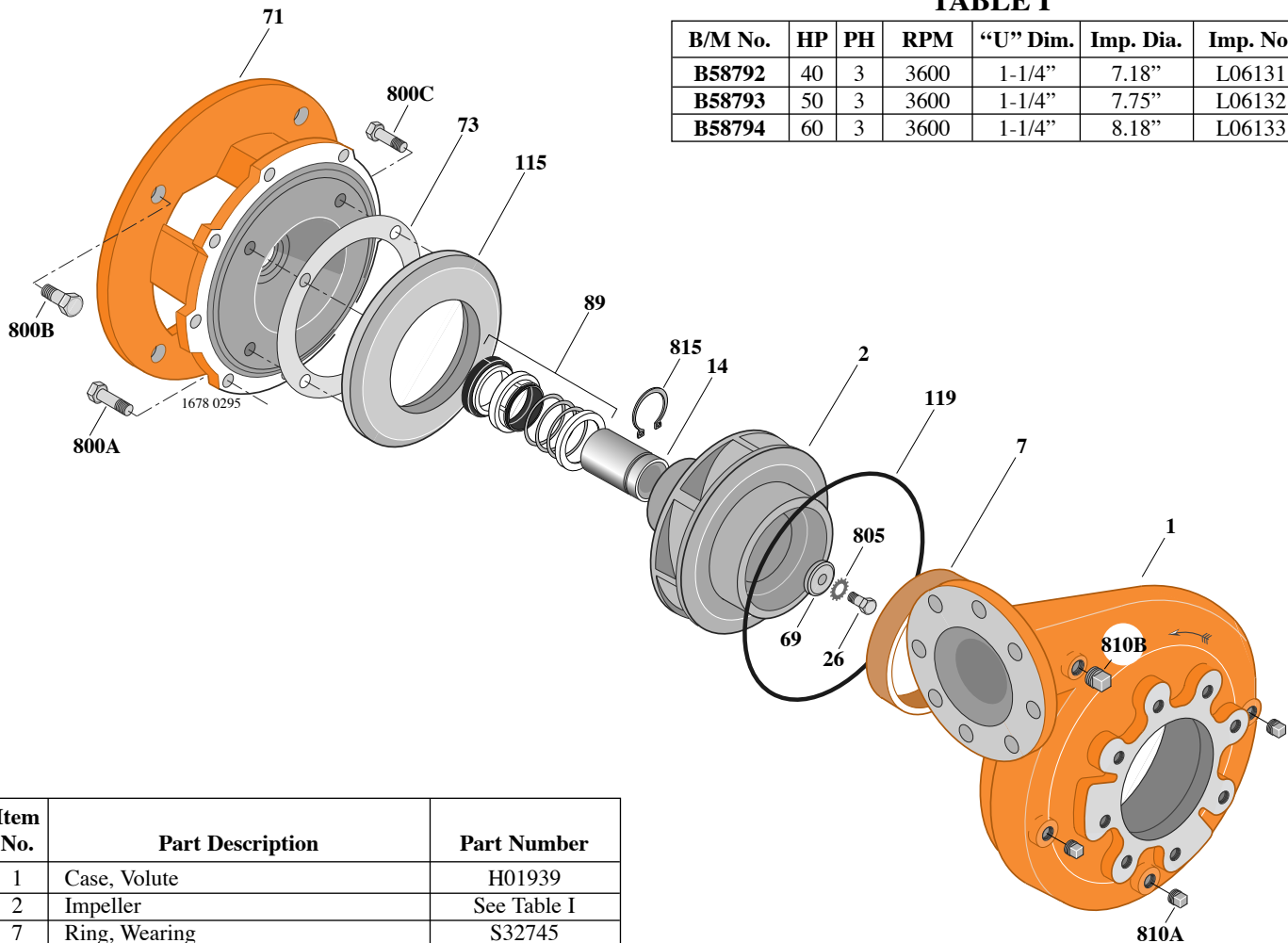
B4EPBMS

Flanged Case

Mechanical Shaft Seal Construction

TABLE I

| B/M No. | HP | PH | RPM | "U" Dim. | Imp. Dia. | Imp. No. |
|---------------|----|----|------|----------|-----------|----------|
| B58792 | 40 | 3 | 3600 | 1-1/4" | 7.18" | L06131 |
| B58793 | 50 | 3 | 3600 | 1-1/4" | 7.75" | L06132 |
| B58794 | 60 | 3 | 3600 | 1-1/4" | 8.18" | L06133 |



| Item No. | Part Description | Part Number |
|----------|--------------------------------------|--------------|
| 1 | Case, Volute | H01939 |
| 2 | Impeller | See Table I |
| 7 | Ring, Wearing | S32745 |
| 14 | Sleeve, Shaft | S18869 |
| 26 | Screw, Impeller 1/2 - 13 x 1-3/4" | S23625 |
| 32 | Key, 1/4 x 2-1/4" (See Note) | S23677 |
| 69 | Washer, Impeller | S18117 |
| 71 | Bracket | See Table II |
| 73 | Gasket, Balance Ring | S09943 |
| 89 | Seal, Mechanical Shaft | S32015 |
| 115 | Ring, Balance | L05263 |
| 119 | O-Ring | S13760 |
| 800A | Capscrew, 1/2 - 13 x 1-1/4" (8 Req.) | S26914 |
| 800B | Capscrew, 5/8 - 11 x 1-1/2" (4 Req.) | S26999 |
| 800C | Capscrew, 3/8 - 16 x 3/4" (4 Req.) | S26824 |
| 805 | Washer, Lock | S23038 |
| 810A | Plug, Pipe 1/4 NPT (3 Req.) | S23715 |
| 810B | Plug, Pipe 1/2 NPT (2 Req.) | S23717 |
| 815 | Ring, Retaining | S16767 |

TABLE II

| HP | PH | Bracket No. | "AK" Fit | "U" Dim. | Motor Frame |
|----|----|-------------|----------|----------|-------------|
| 40 | 3 | L04628 | 12-1/2" | 1-1/4" | 286JM |
| 50 | 3 | L04628 | 12-1/2" | 1-1/4" | 324JM |
| 60 | 3 | L04628 | 12-1/2" | 1-1/4" | 326JM |

NOTE: For an explanation of the tabulated material found on this page and for impeller key location, refer to *Supplement A* located at the beginning of this section.



TYPE "B" SINGLE STAGE CENTRIFUGAL PUMP Electric Motor Drive

| | |
|-------------------|-----------------|
| Section | CC |
| Page | 260.5 |
| Date | January 1, 2004 |
| Supersedes 6/1/95 | |

CAST IRON IMPELLER

B4EPBMS

Flanged Case

Mechanical Shaft Seal Construction

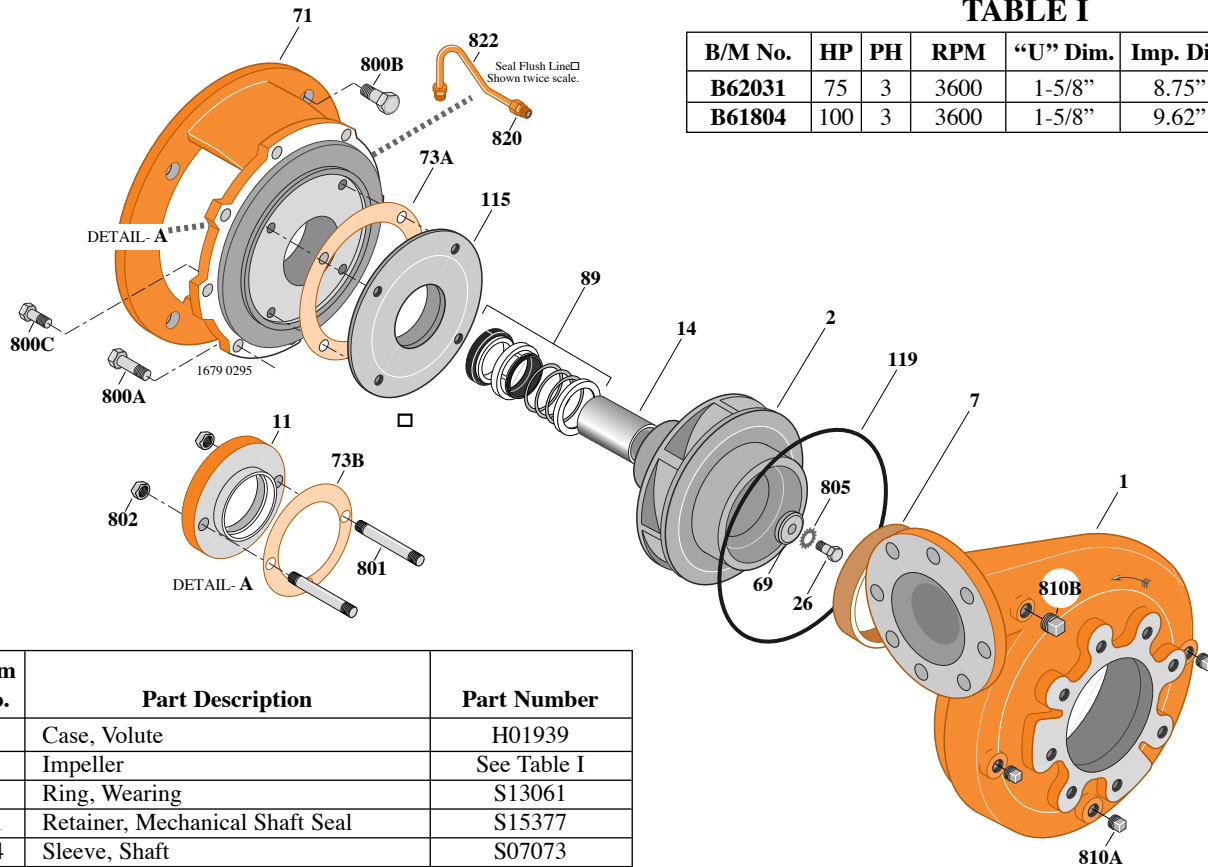


TABLE I

| B/M No. | HP | PH | RPM | "U" Dim. | Imp. Dia. | Imp. No. |
|---------|-----|----|------|----------|-----------|----------|
| B62031 | 75 | 3 | 3600 | 1-5/8" | 8.75" | L06134 |
| B61804 | 100 | 3 | 3600 | 1-5/8" | 9.62" | L06135 |

| Item No. | Part Description | Part Number |
|----------|---------------------------------------|--------------|
| 1 | Case, Volute | H01939 |
| 2 | Impeller | See Table I |
| 7 | Ring, Wearing | S13061 |
| 11 | Retainer, Mechanical Shaft Seal | S15377 |
| 14 | Sleeve, Shaft | S07073 |
| 26 | Screw, Impeller 1/2 - 13 x 1-1/2" | S23623 |
| 32 | Key, 3/8 x 2" (75 HP) (See Note) | S23939 |
| 32 | Key, 3/8 x 2-1/4" (100 HP) (See Note) | S23940 |
| 69 | Washer, Impeller | S18801 |
| 71 | Bracket | See Table II |
| 73A | Gasket, Balance Ring | S09943 |
| 73B | Gasket, Seal Retainer | S15078 |
| 89 | Seal, Mechanical Shaft | S32016 |
| 115 | Ring, Balance | L03837 |
| 119 | O-Ring | S13760 |
| 800A | Capscrew, 1/2 - 13 x 1-1/4" (8 Req.) | S26914 |
| 800B | Capscrew, 5/8 - 11 x 1-3/4" (4 Req.) | S27001 |
| 800C | Capscrew, 3/8 - 16 x 1" (4 Req.) | S26826 |
| 801 | Stud, 3/8 - 16 x 2-1/2" (2 Req.) | S04438 |
| 802 | Nut, 3/8 x 16 (2 Req.) | S23343 |
| 805 | Washer, Lock | S23038 |
| 810A | Plug, Pipe 1/4 NPT (3 Req.) | S23715 |
| 810B | Plug, Pipe, 1/2 NPT (2 Req.) | S23717 |
| 820 | Connector, Comp. Fitting (2 Req.) | S24013 |
| 822 | Tubing, Copper | S20677 |
| • | Plug, Pipe 1/8 NPT (At Seal Bore) | S23714 |

TABLE II

| HP | PH | Bracket No. | "AK" Fit | "U" Dim. | Motor Frame |
|-----|----|-------------|----------|----------|-------------|
| 75 | 3 | L06315 | 12-1/2" | 1-5/8" | 364JP |
| 100 | 3 | L06315 | 12-1/2" | 1-5/8" | 365JP |

NOTE: For an explanation of the tabulated material found on this page and for impeller key location, refer to *Supplement A* located at the beginning of this section.



TYPE "B" SINGLE STAGE CENTRIFUGAL PUMP Electric Motor Drive

| | |
|-------------------|-----------------|
| Section | CC |
| Page | 260.6 |
| Date | January 1, 2004 |
| Supersedes 6/1/95 | |

CAST IRON IMPELLER

B4EPBMS

Flanged Case

Mechanical Shaft Seal Construction

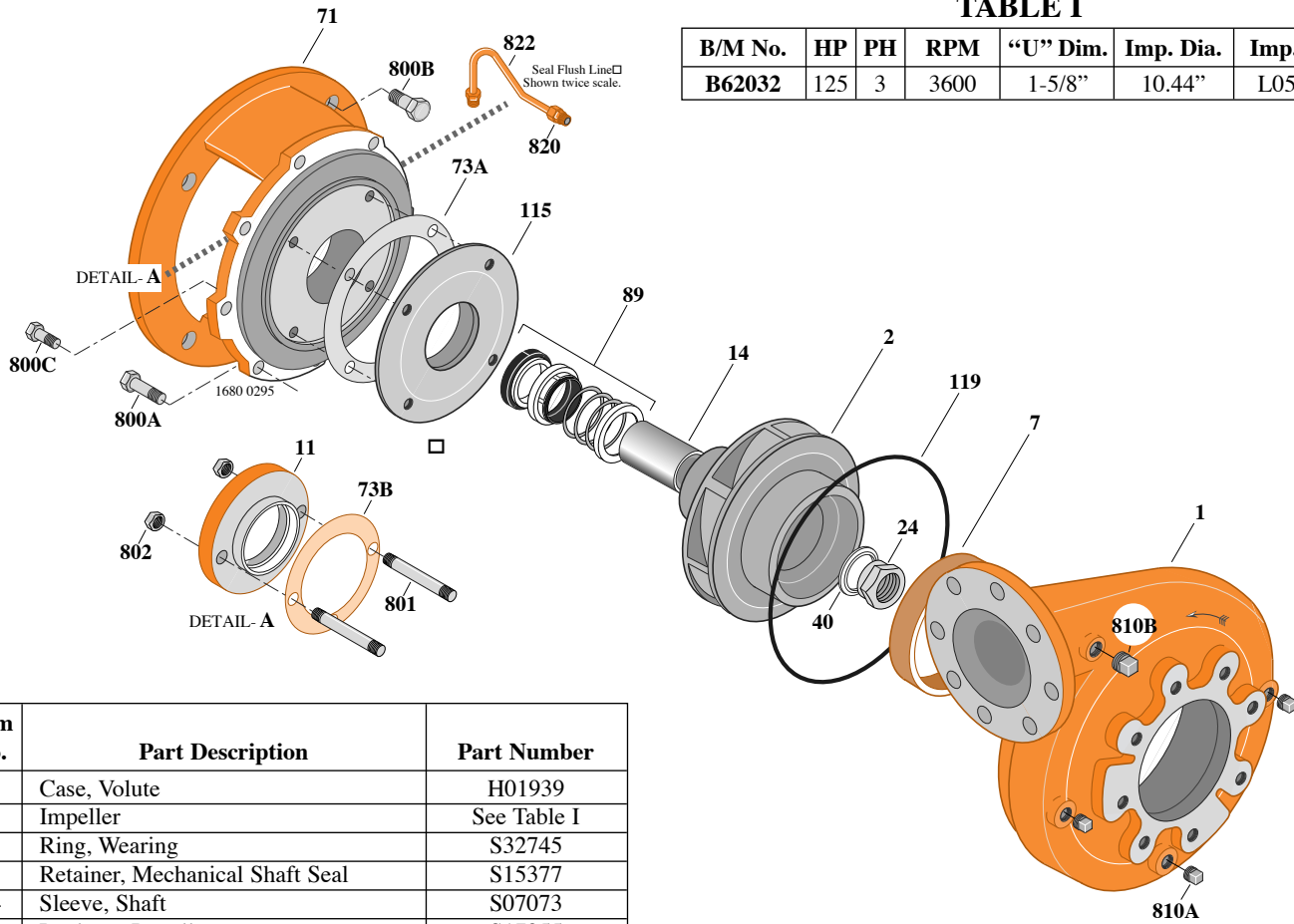


TABLE I

| B/M No. | HP | PH | RPM | "U" Dim. | Imp. Dia. | Imp. No. |
|---------|-----|----|------|----------|-----------|----------|
| B62032 | 125 | 3 | 3600 | 1-5/8" | 10.44" | L05889 |

| Item No. | Part Description | Part Number |
|----------|--------------------------------------|--------------|
| 1 | Case, Volute | H01939 |
| 2 | Impeller | See Table I |
| 7 | Ring, Wearing | S32745 |
| 11 | Retainer, Mechanical Shaft Seal | S15377 |
| 14 | Sleeve, Shaft | S07073 |
| 24 | Locknut, Impeller | S17955 |
| 32 | Key, 3/8 x 2-1/4" (See Note) | S23940 |
| 40 | Deflector | S17956 |
| 71 | Bracket | See Table II |
| 73A | Gasket, Balance Ring | S09943 |
| 73B | Gasket, Seal Retainer | S15078 |
| 89 | Seal, Mechanical Shaft | S32016 |
| 115 | Ring, Balance | L03837 |
| 119 | O-Ring | S13760 |
| 800A | Capscrew, 1/2 - 13 x 1-1/4" (8 Req.) | S26914 |
| 800B | Capscrew, 5/8 - 11 x 1-3/4" (4 Req.) | S27001 |
| 800C | Capscrew, 3/8 - 16 x 7/8" (4 Req.) | S26825 |
| 801 | Stud, 3/8 - 16 x 2-1/2" (2 Req.) | S04438 |
| 802 | Nut, 3/8 - 16 (2 Req.) | S23343 |
| 810A | Plug, Pipe 1/4 NPT (3 Req.) | S23715 |
| 810B | Plug, Pipe 1/2 NPT (2 Req.) | S23717 |
| 820 | Connector, Comp. Fitting (2 Req.) | S24013 |
| 822 | Tubing, Copper | S20677 |
| • | Plug, Pipe 1/8 NPT (At Seal Bore) | S23714 |

TABLE II

| HP | PH | Bracket No. | "AK" Fit | "U" Dim. | Motor Frame |
|-----|----|-------------|----------|----------|-------------|
| 125 | 3 | L06315 | 12-1/2" | 1-5/8" | 404TC |

NOTE: For an explanation of the tabulated material found on this page and for impeller key location, refer to *Supplement A* located at the beginning of this section.



TYPE "B" SINGLE STAGE CENTRIFUGAL PUMP Electric Motor Drive

| | |
|----------------|-----------------|
| Section | CC |
| Page | 260.7 |
| Date | January 1, 2004 |
| Supersedes/New | |

BRONZE IMPELLER

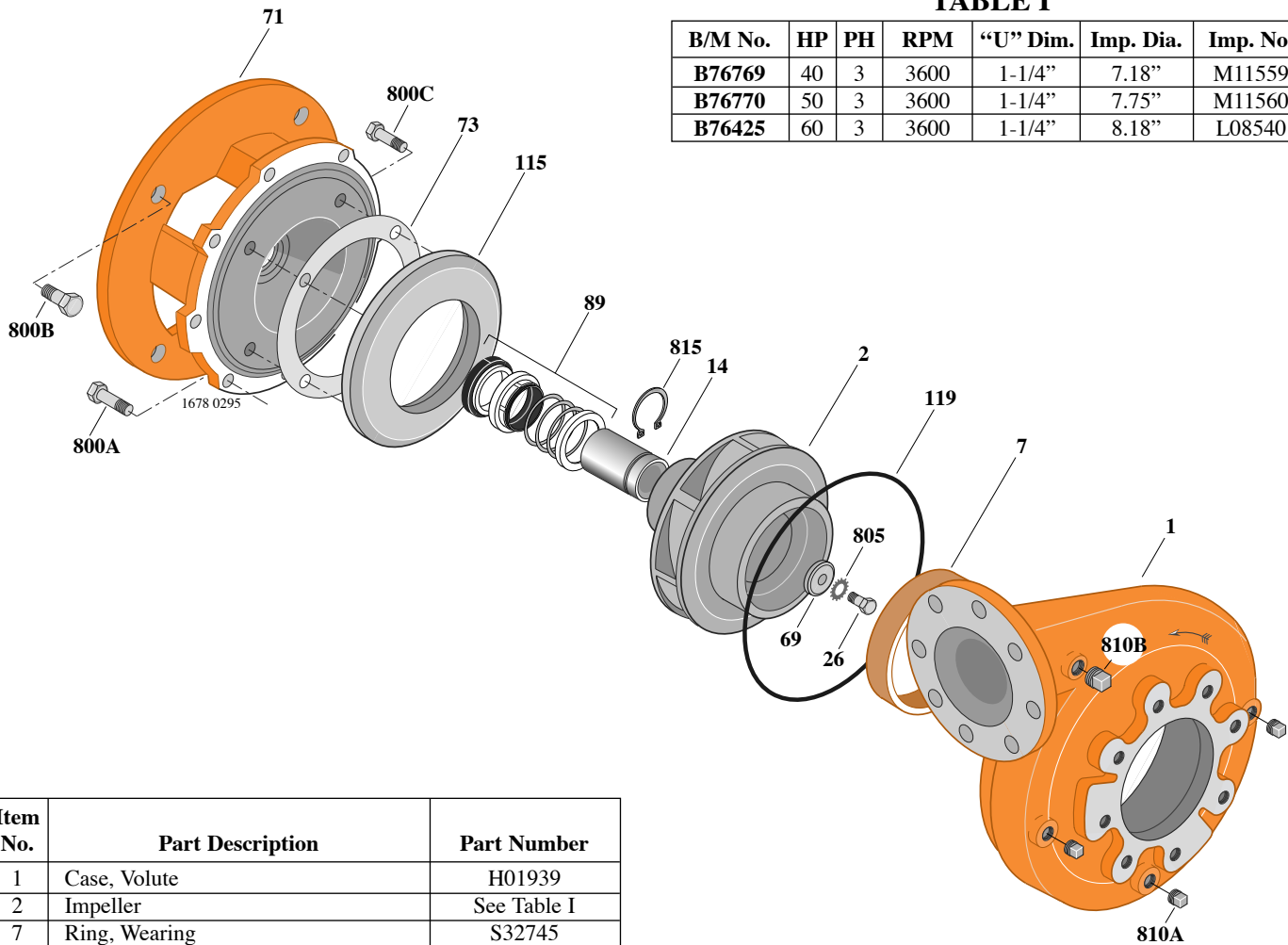
B4EPBMS

Flanged Case

Mechanical Shaft Seal Construction

TABLE I

| B/M No. | HP | PH | RPM | "U" Dim. | Imp. Dia. | Imp. No. |
|---------------|----|----|------|----------|-----------|----------|
| B76769 | 40 | 3 | 3600 | 1-1/4" | 7.18" | M11559 |
| B76770 | 50 | 3 | 3600 | 1-1/4" | 7.75" | M11560 |
| B76425 | 60 | 3 | 3600 | 1-1/4" | 8.18" | L08540 |



| Item No. | Part Description | Part Number |
|----------|--------------------------------------|--------------|
| 1 | Case, Volute | H01939 |
| 2 | Impeller | See Table I |
| 7 | Ring, Wearing | S32745 |
| 14 | Sleeve, Shaft | S18869 |
| 26 | Screw, Impeller 1/2 - 13 x 1-3/4" | S23625 |
| 32 | Key, 1/4 x 2-1/4" (See Note) | S23677 |
| 69 | Washer, Impeller | S18117 |
| 71 | Bracket | See Table II |
| 73 | Gasket, Balance Ring | S09943 |
| 89 | Seal, Mechanical Shaft | S32015 |
| 115 | Ring, Balance | L05263 |
| 119 | O-Ring | S13760 |
| 800A | Capscrew, 1/2 - 13 x 1-1/4" (8 Req.) | S26914 |
| 800B | Capscrew, 5/8 - 11 x 1-1/2" (4 Req.) | S26999 |
| 800C | Capscrew, 3/8 - 16 x 3/4" (4 Req.) | S26824 |
| 805 | Washer, Lock | S23038 |
| 810A | Plug, Pipe 1/4 NPT (3 Req.) | S23715 |
| 810B | Plug, Pipe 1/2 NPT (2 Req.) | S23717 |
| 815 | Ring, Retaining | S16767 |

TABLE II

| HP | PH | Bracket No. | "AK" Fit | "U" Dim. | Motor Frame |
|----|----|-------------|----------|----------|-------------|
| 40 | 3 | L04628 | 12-1/2" | 1-1/4" | 286JM |
| 50 | 3 | L04628 | 12-1/2" | 1-1/4" | 324JM |
| 60 | 3 | L04628 | 12-1/2" | 1-1/4" | 326JM |

NOTE: For an explanation of the tabulated material found on this page and for impeller key location, refer to *Supplement A* located at the beginning of this section.



TYPE "B" SINGLE STAGE CENTRIFUGAL PUMP Electric Motor Drive

| | |
|----------------|-----------------|
| Section | CC |
| Page | 260.8 |
| Date | January 1, 2004 |
| Supersedes/New | |

BRONZE IMPELLER

B4EPBMS

Flanged Case

Mechanical Shaft Seal Construction

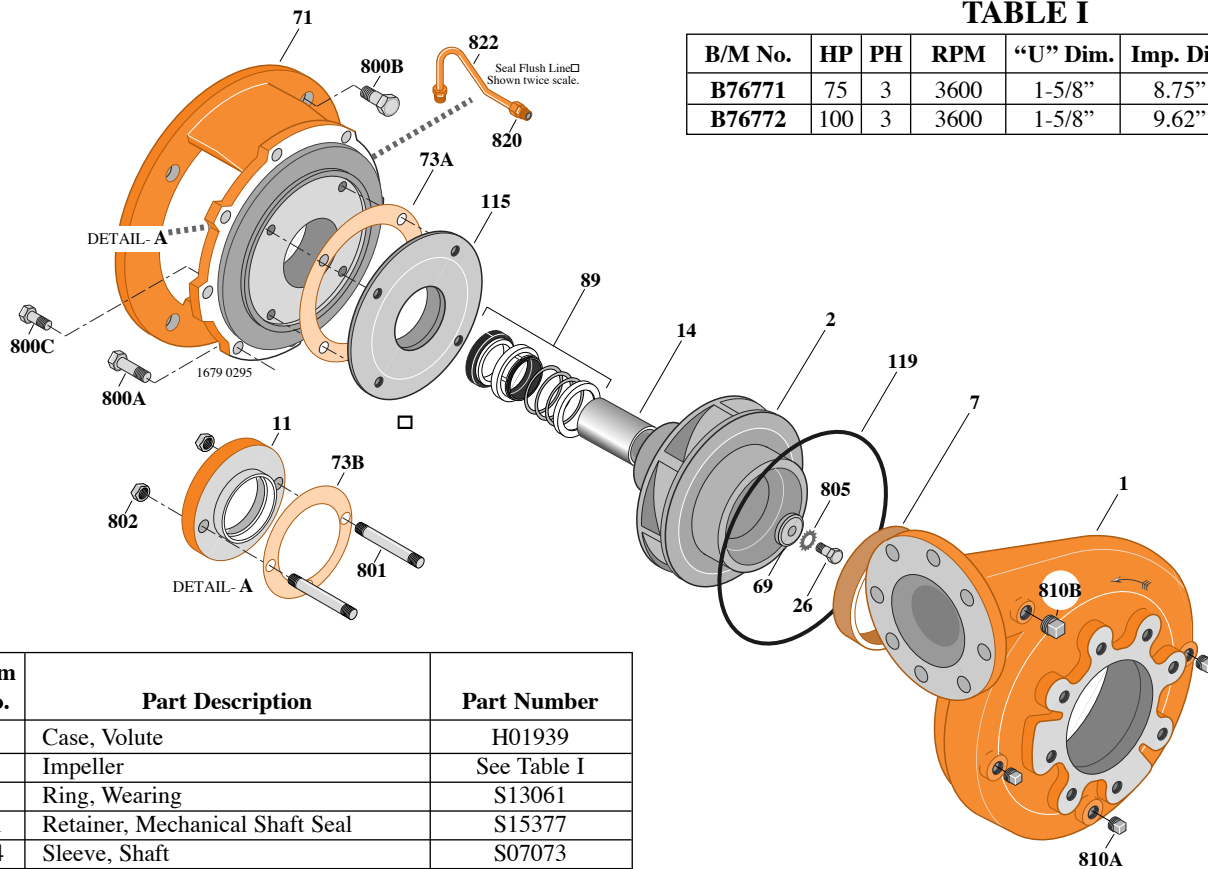


TABLE I

| B/M No. | HP | PH | RPM | "U" Dim. | Imp. Dia. | Imp. No. |
|---------|-----|----|------|----------|-----------|----------|
| B76771 | 75 | 3 | 3600 | 1-5/8" | 8.75" | L08529 |
| B76772 | 100 | 3 | 3600 | 1-5/8" | 9.62" | M11561 |

| Item No. | Part Description | Part Number |
|----------|---------------------------------------|--------------|
| 1 | Case, Volute | H01939 |
| 2 | Impeller | See Table I |
| 7 | Ring, Wearing | S13061 |
| 11 | Retainer, Mechanical Shaft Seal | S15377 |
| 14 | Sleeve, Shaft | S07073 |
| 26 | Screw, Impeller 1/2 - 13 x 1-1/2" | S23623 |
| 32 | Key, 3/8 x 2" (75 HP) (See Note) | S23939 |
| 32 | Key, 3/8 x 2-1/4" (100 HP) (See Note) | S23940 |
| 69 | Washer, Impeller | S18801 |
| 71 | Bracket | See Table II |
| 73A | Gasket, Balance Ring | S09943 |
| 73B | Gasket, Seal Retainer | S15078 |
| 89 | Seal, Mechanical Shaft | S32016 |
| 115 | Ring, Balance | L03837 |
| 119 | O-Ring | S13760 |
| 800A | Capscrew, 1/2 - 13 x 1-1/4" (8 Req.) | S26914 |
| 800B | Capscrew, 5/8 - 11 x 1-3/4" (4 Req.) | S27001 |
| 800C | Capscrew, 3/8 - 16 x 1" (4 Req.) | S26826 |
| 801 | Stud, 3/8 - 16 x 2-1/2" (2 Req.) | S04438 |
| 802 | Nut, 3/8 x 16 (2 Req.) | S23343 |
| 805 | Washer, Lock | S23038 |
| 810A | Plug, Pipe 1/4 NPT (3 Req.) | S23715 |
| 810B | Plug, Pipe, 1/2 NPT (2 Req.) | S23717 |
| 820 | Connector, Comp. Fitting (2 Req.) | S24013 |
| 822 | Tubing, Copper | S20677 |
| • | Plug, Pipe 1/8 NPT (At Seal Bore) | S23714 |

TABLE II

| HP | PH | Bracket No. | "AK" Fit | "U" Dim. | Motor Frame |
|-----|----|-------------|----------|----------|-------------|
| 75 | 3 | L06315 | 12-1/2" | 1-5/8" | 364JP |
| 100 | 3 | L06315 | 12-1/2" | 1-5/8" | 365JP |

NOTE: For an explanation of the tabulated material found on this page and for impeller key location, refer to *Supplement A* located at the beginning of this section.



TYPE "B" SINGLE STAGE CENTRIFUGAL PUMP Electric Motor Drive

| | |
|----------------|-----------------|
| Section | CC |
| Page | 260.9 |
| Date | January 1, 2004 |
| Supersedes/New | |

BRONZE IMPELLER

B4EPBMS

Flanged Case

Mechanical Shaft Seal Construction

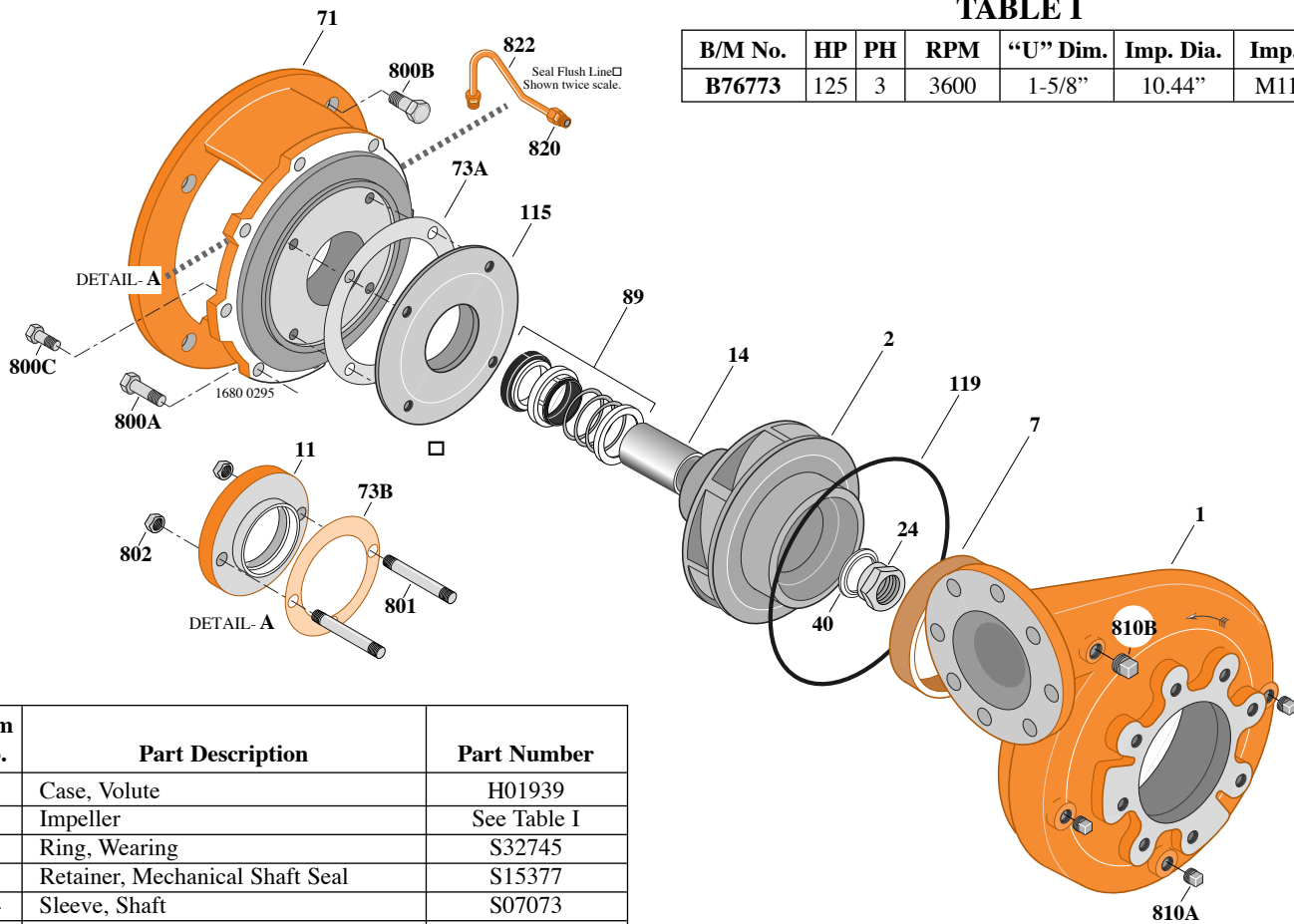


TABLE I

| B/M No. | HP | PH | RPM | "U" Dim. | Imp. Dia. | Imp. No. |
|---------|-----|----|------|----------|-----------|----------|
| B76773 | 125 | 3 | 3600 | 1-5/8" | 10.44" | M11562 |

| Item No. | Part Description | Part Number |
|----------|--------------------------------------|--------------|
| 1 | Case, Volute | H01939 |
| 2 | Impeller | See Table I |
| 7 | Ring, Wearing | S32745 |
| 11 | Retainer, Mechanical Shaft Seal | S15377 |
| 14 | Sleeve, Shaft | S07073 |
| 24 | Locknut, Impeller | S17955 |
| 32 | Key, 3/8 x 2-1/4" (See Note) | S23940 |
| 40 | Deflector | S17956 |
| 71 | Bracket | See Table II |
| 73A | Gasket, Balance Ring | S09943 |
| 73B | Gasket, Seal Retainer | S15078 |
| 89 | Seal, Mechanical Shaft | S32016 |
| 115 | Ring, Balance | L03837 |
| 119 | O-Ring | S13760 |
| 800A | Capscrew, 1/2 - 13 x 1-1/4" (8 Req.) | S26914 |
| 800B | Capscrew, 5/8 - 11 x 1-3/4" (4 Req.) | S27001 |
| 800C | Capscrew, 3/8 - 16 x 7/8" (4 Req.) | S26825 |
| 801 | Stud, 3/8 - 16 x 2-1/2" (2 Req.) | S04438 |
| 802 | Nut, 3/8 - 16 (2 Req.) | S23343 |
| 810A | Plug, Pipe 1/4 NPT (3 Req.) | S23715 |
| 810B | Plug, Pipe 1/2 NPT (2 Req.) | S23717 |
| 820 | Connector, Comp. Fitting (2 Req.) | S24013 |
| 822 | Tubing, Copper | S20677 |
| • | Plug, Pipe 1/8 NPT (At Seal Bore) | S23714 |

TABLE II

| HP | PH | Bracket No. | "AK" Fit | "U" Dim. | Motor Frame |
|-----|----|-------------|----------|----------|-------------|
| 125 | 3 | L06315 | 12-1/2" | 1-5/8" | 404TC |

NOTE: For an explanation of the tabulated material found on this page and for impeller key location, refer to *Supplement A* located at the beginning of this section.



TYPE "B" SINGLE STAGE CENTRIFUGAL PUMP Electric Motor Drive

| | |
|-------------------|-----------------|
| Section | CC |
| Page | 270.1 |
| Date | January 1, 2004 |
| Supersedes 6/1/95 | |

CAST IRON IMPELLER

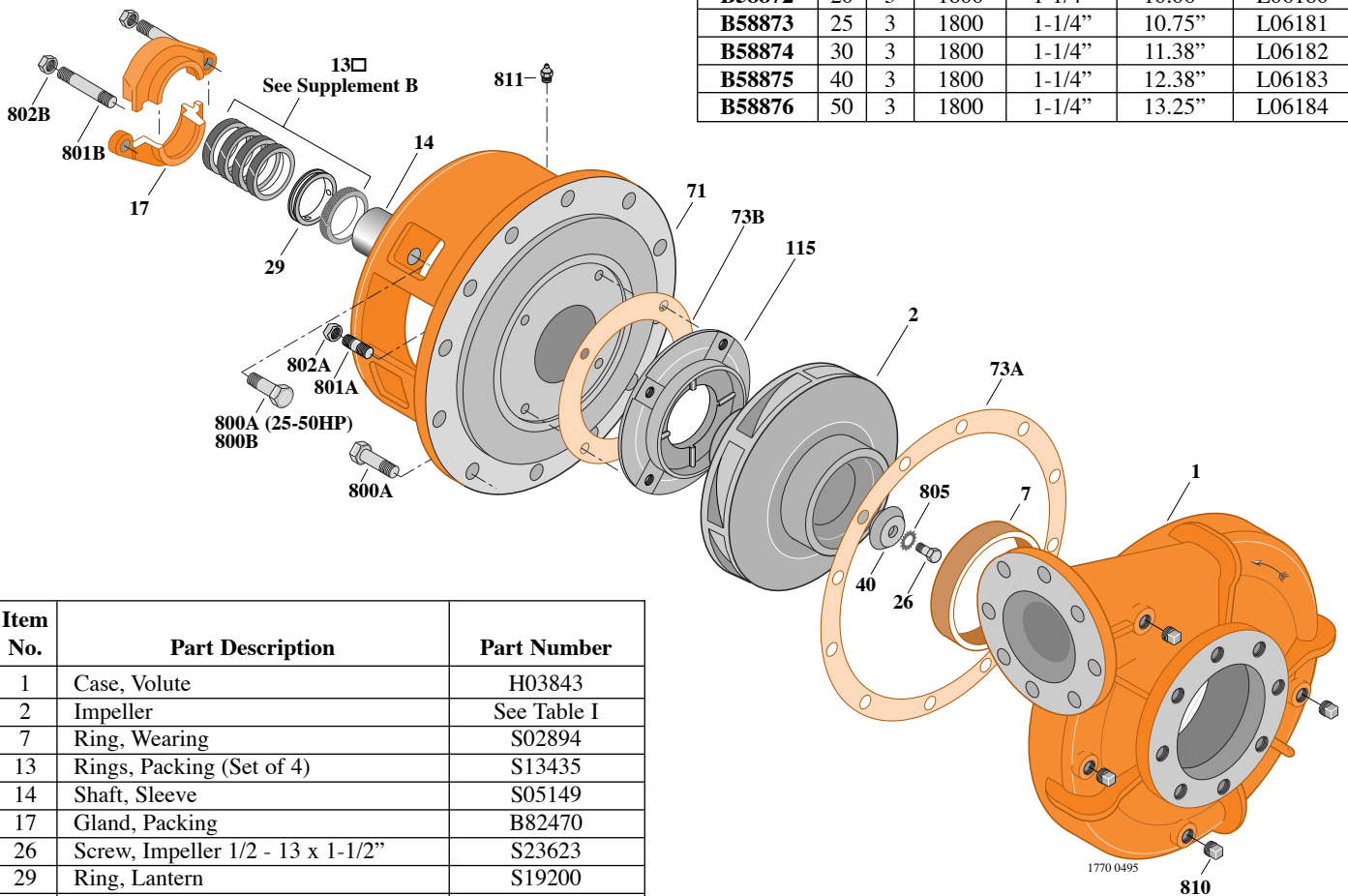
B4JPBH

Flanged Case

Packing Construction

TABLE I

| B/M No. | HP | PH | RPM | "U" Dim. | Imp. Dia. | Imp. No. |
|---------------|----|----|------|----------|-----------|----------|
| B58872 | 20 | 3 | 1800 | 1-1/4" | 10.06" | L06180 |
| B58873 | 25 | 3 | 1800 | 1-1/4" | 10.75" | L06181 |
| B58874 | 30 | 3 | 1800 | 1-1/4" | 11.38" | L06182 |
| B58875 | 40 | 3 | 1800 | 1-1/4" | 12.38" | L06183 |
| B58876 | 50 | 3 | 1800 | 1-1/4" | 13.25" | L06184 |



| Item No. | Part Description | Part Number |
|----------|---------------------------------------|--------------|
| 1 | Case, Volute | H03843 |
| 2 | Impeller | See Table I |
| 7 | Ring, Wearing | S02894 |
| 13 | Rings, Packing (Set of 4) | S13435 |
| 14 | Shaft, Sleeve | S05149 |
| 17 | Gland, Packing | B82470 |
| 26 | Screw, Impeller 1/2 - 13 x 1-1/2" | S23623 |
| 29 | Ring, Lantern | S19200 |
| 32 | Key, 1/4 x 2-1/4" (See Note) | S23677 |
| 40 | Deflector | S19275 |
| 71 | Bracket | See Table II |
| 73A | Gasket, Volute | S06271 |
| 73B | Gasket, Balance Ring | S09943 |
| 115 | Ring, Balance | S12315 |
| 800A | Capscrew, 5/8 - 11 x 1-1/2" (12 Req.) | S26999 |
| 800B | Capscrew, 1/2 - 13 x 1-1/2" (4 Req.) | S26916 |
| 801A | Stud, 3/8 - 16 x 1-3/4" (4 Req.) | S23996 |
| 801B | Stud, 3/8 - 16 x 2-1/2" (2 Req.) | S04438 |
| 802A | Nut, Hex 3/8 - 16 (4 Req.) | S23103 |
| 802B | Nut, Hex 3/8 - 16 (2 Req.) | S23343 |
| 805 | Washer, Lock | S23038 |
| 810 | Plug, Pipe 1/2 NPT (4 Req.) | S23717 |
| 811 | Fitting, Grease | S23700 |
| 812 | Elbow, Street | S25421 |

TABLE II

| HP | PH | Bracket No. | "AK" Fit | "U" Dim. | Motor Frame |
|----|----|-------------|----------|----------|-------------|
| 20 | 3 | H02384 | 8-1/2" | 1-1/4" | 256JP |
| 25 | 3 | H01601 | 12-1/2" | 1-1/4" | 284JP |
| 30 | 3 | H01601 | 12-1/2" | 1-1/4" | 286JP |
| 40 | 3 | H01601 | 12-1/2" | 1-1/4" | 324JP |
| 50 | 3 | H01601 | 12-1/2" | 1-1/4" | 326JP |

NOTE: For an explanation of the tabulated material found on this page and for impeller key location, refer to *Supplement A* located at the beginning of this section.



TYPE "B" SINGLE STAGE CENTRIFUGAL PUMP Electric Motor Drive

| | |
|-------------------|-----------------|
| Section | CC |
| Page | 270.2 |
| Date | January 1, 2004 |
| Supersedes 6/1/95 | |

CAST IRON IMPELLER

B4JPBHS

Flanged Case

Mechanical Shaft Seal Construction

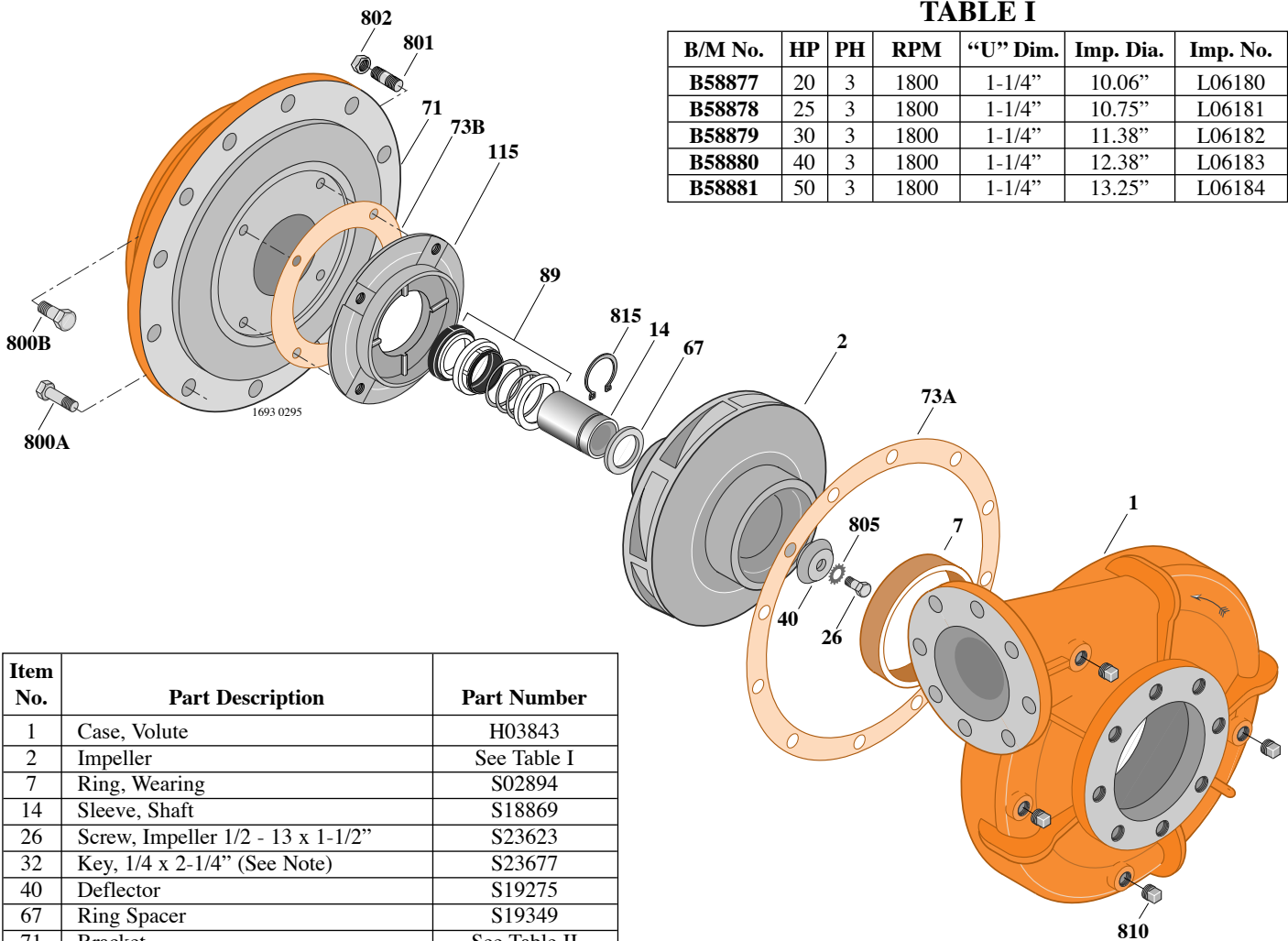


TABLE I

| B/M No. | HP | PH | RPM | "U" Dim. | Imp. Dia. | Imp. No. |
|---------------|----|----|------|----------|-----------|----------|
| B58877 | 20 | 3 | 1800 | 1-1/4" | 10.06" | L06180 |
| B58878 | 25 | 3 | 1800 | 1-1/4" | 10.75" | L06181 |
| B58879 | 30 | 3 | 1800 | 1-1/4" | 11.38" | L06182 |
| B58880 | 40 | 3 | 1800 | 1-1/4" | 12.38" | L06183 |
| B58881 | 50 | 3 | 1800 | 1-1/4" | 13.25" | L06184 |

| Item No. | Part Description | Part Number |
|----------|--|--------------|
| 1 | Case, Volute | H03843 |
| 2 | Impeller | See Table I |
| 7 | Ring, Wearing | S02894 |
| 14 | Sleeve, Shaft | S18869 |
| 26 | Screw, Impeller 1/2 - 13 x 1-1/2" | S23623 |
| 32 | Key, 1/4 x 2-1/4" (See Note) | S23677 |
| 40 | Deflector | S19275 |
| 67 | Ring Spacer | S19349 |
| 71 | Bracket | See Table II |
| 73A | Gasket, Volute Case | S06271 |
| 73B | Gasket, Balance Ring | S09943 |
| 89 | Seal, Mechanical Shaft | S32015 |
| 115 | Ring, Balance | S19105 |
| 800A | Capscrew, 5/8 - 11 x 1-1/2" (12 Req.) (8-1/2 AK) | S26999 |
| 800A | Capscrew, 5/8 - 11 x 1-1/2" (16 Req.) (12-1/2 AK) | S26999 |
| 800B | Capscrew, 1/2 - 13 x 1-1/2" (4 Req.) (8-1/2 AK Only) | S26916 |
| 801 | Stud, 3/8 - 16 x 1-3/8" (4 Req.) | S09942 |
| 802 | Nut, 3/8 - 16 (4 Req.) | S23103 |
| 805 | Washer, Lock | S23038 |
| 810 | Plug, Pipe 1/2 NPT (4 Req.) | S23717 |
| 815 | Ring, Retaining | S16767 |

TABLE II

| HP | PH | Bracket No. | "AK" Fit | "U" Dim. | Motor Frame |
|----|----|-------------|----------|----------|-------------|
| 20 | 3 | H03300 | 8-1/2" | 1-1/4" | 256JM |
| 25 | 3 | H03301 | 12-1/2" | 1-1/4" | 284JM |
| 30 | 3 | H03301 | 12-1/2" | 1-1/4" | 286JM |
| 40 | 3 | H03301 | 12-1/2" | 1-1/4" | 324JM |
| 50 | 3 | H03301 | 12-1/2" | 1-1/4" | 326JM |

NOTE: For an explanation of the tabulated material found on this page and for impeller key location, refer to *Supplement A* located at the beginning of this section.



TYPE "B" SINGLE STAGE CENTRIFUGAL PUMP Electric Motor Drive

| | |
|----------------|-----------------|
| Section | CC |
| Page | 270.2.1 |
| Date | January 1, 2004 |
| Supersedes/New | |

BRONZE IMPELLER

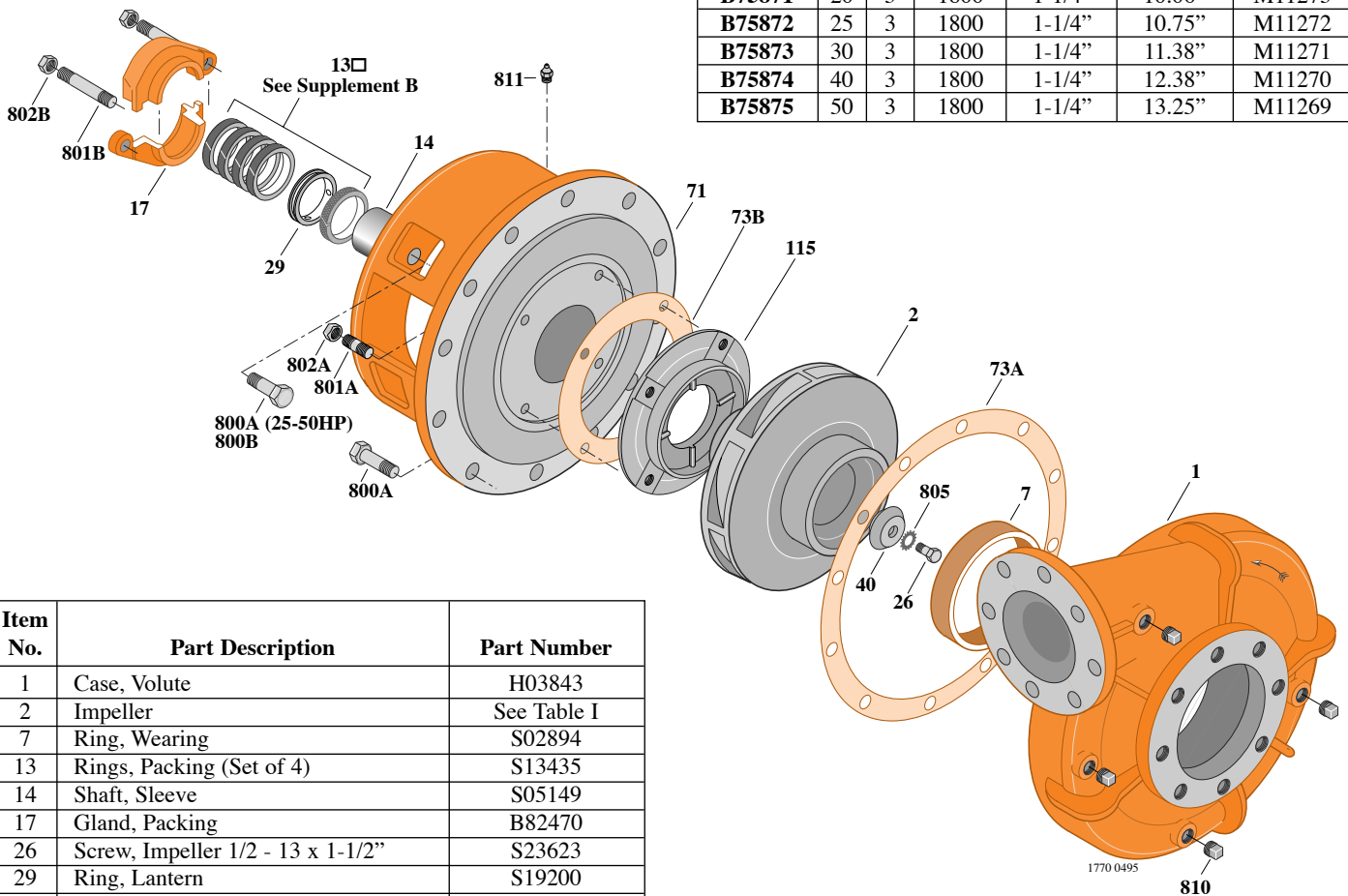
B4JPBH

Flanged Case

Packing Construction

TABLE I

| B/M No. | HP | PH | RPM | "U" Dim. | Imp. Dia. | Imp. No. |
|---------------|----|----|------|----------|-----------|----------|
| B75871 | 20 | 3 | 1800 | 1-1/4" | 10.06" | M11273 |
| B75872 | 25 | 3 | 1800 | 1-1/4" | 10.75" | M11272 |
| B75873 | 30 | 3 | 1800 | 1-1/4" | 11.38" | M11271 |
| B75874 | 40 | 3 | 1800 | 1-1/4" | 12.38" | M11270 |
| B75875 | 50 | 3 | 1800 | 1-1/4" | 13.25" | M11269 |



| Item No. | Part Description | Part Number |
|----------|---------------------------------------|--------------|
| 1 | Case, Volute | H03843 |
| 2 | Impeller | See Table I |
| 7 | Ring, Wearing | S02894 |
| 13 | Rings, Packing (Set of 4) | S13435 |
| 14 | Shaft, Sleeve | S05149 |
| 17 | Gland, Packing | B82470 |
| 26 | Screw, Impeller 1/2 - 13 x 1-1/2" | S23623 |
| 29 | Ring, Lantern | S19200 |
| 32 | Key, 1/4 x 2-1/4" (See Note) | S23677 |
| 40 | Deflector | S19275 |
| 71 | Bracket | See Table II |
| 73A | Gasket, Volute | S06271 |
| 73B | Gasket, Balance Ring | S09943 |
| 115 | Ring, Balance | S12315 |
| 800A | Capscrew, 5/8 - 11 x 1-1/2" (12 Req.) | S26999 |
| 800B | Capscrew, 1/2 - 13 x 1-1/2" (4 Req.) | S26916 |
| 801A | Stud, 3/8 - 16 x 1-3/4" (4 Req.) | S23996 |
| 801B | Stud, 3/8 - 16 x 2-1/2" (2 Req.) | S04438 |
| 802A | Nut, Hex 3/8 - 16 (4 Req.) | S23103 |
| 802B | Nut, Hex 3/8 - 16 (2 Req.) | S23343 |
| 805 | Washer, Lock | S23038 |
| 810 | Plug, Pipe 1/2 NPT (4 Req.) | S23717 |
| 811 | Fitting, Grease | S23700 |
| 812 | Elbow, Street | S25421 |

TABLE II

| HP | PH | Bracket No. | "AK" Fit | "U" Dim. | Motor Frame |
|----|----|-------------|----------|----------|-------------|
| 20 | 3 | H02384 | 8-1/2" | 1-1/4" | 256JP |
| 25 | 3 | H01601 | 12-1/2" | 1-1/4" | 284JP |
| 30 | 3 | H01601 | 12-1/2" | 1-1/4" | 286JP |
| 40 | 3 | H01601 | 12-1/2" | 1-1/4" | 324JP |
| 50 | 3 | H01601 | 12-1/2" | 1-1/4" | 326JP |

NOTE: For an explanation of the tabulated material found on this page and for impeller key location, refer to *Supplement A* located at the beginning of this section.



TYPE "B" SINGLE STAGE CENTRIFUGAL PUMP Electric Motor Drive

| | |
|----------------|-----------------|
| Section | CC |
| Page | 270.2.2 |
| Date | January 1, 2004 |
| Supersedes/New | |

BRONZE IMPELLERB4JPBHS

Flanged Case

Mechanical Shaft Seal Construction

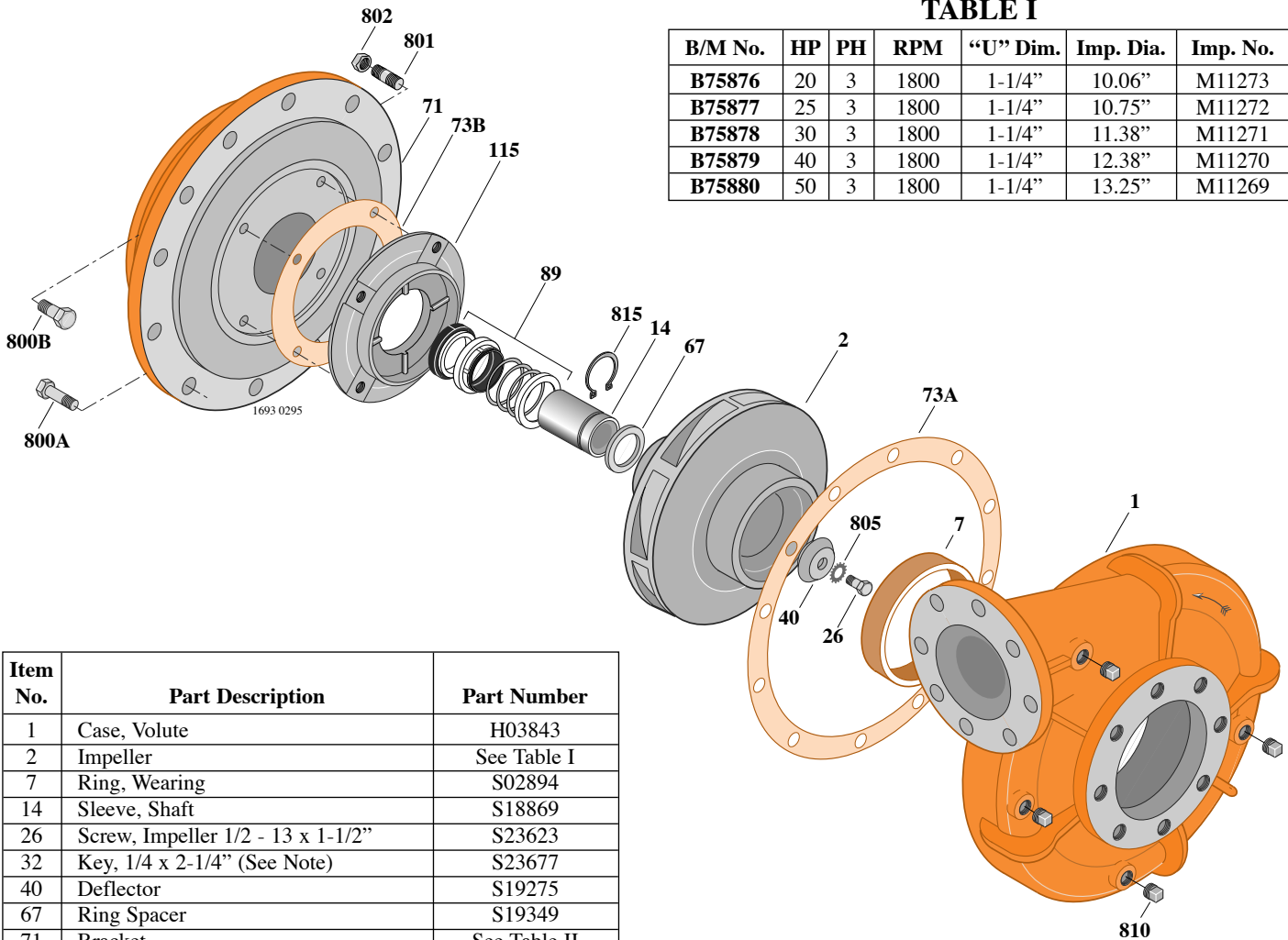


TABLE I

| B/M No. | HP | PH | RPM | "U" Dim. | Imp. Dia. | Imp. No. |
|---------------|----|----|------|----------|-----------|----------|
| B75876 | 20 | 3 | 1800 | 1-1/4" | 10.06" | M11273 |
| B75877 | 25 | 3 | 1800 | 1-1/4" | 10.75" | M11272 |
| B75878 | 30 | 3 | 1800 | 1-1/4" | 11.38" | M11271 |
| B75879 | 40 | 3 | 1800 | 1-1/4" | 12.38" | M11270 |
| B75880 | 50 | 3 | 1800 | 1-1/4" | 13.25" | M11269 |

| Item No. | Part Description | Part Number |
|----------|--|--------------|
| 1 | Case, Volute | H03843 |
| 2 | Impeller | See Table I |
| 7 | Ring, Wearing | S02894 |
| 14 | Sleeve, Shaft | S18869 |
| 26 | Screw, Impeller 1/2 - 13 x 1-1/2" | S23623 |
| 32 | Key, 1/4 x 2-1/4" (See Note) | S23677 |
| 40 | Deflector | S19275 |
| 67 | Ring Spacer | S19349 |
| 71 | Bracket | See Table II |
| 73A | Gasket, Volute Case | S06271 |
| 73B | Gasket, Balance Ring | S09943 |
| 89 | Seal, Mechanical Shaft | S32015 |
| 115 | Ring, Balance | S19105 |
| 800A | Capscrew, 5/8 - 11 x 1-1/2" (12 Req.) (8-1/2 AK) | S26999 |
| 800A | Capscrew, 5/8 - 11 x 1-1/2" (16 Req.) (12-1/2 AK) | S26999 |
| 800B | Capscrew, 1/2 - 13 x 1-1/2" (4 Req.) (8-1/2 AK Only) | S26916 |
| 801 | Stud, 3/8 - 16 x 1-3/8" (4 Req.) | S09942 |
| 802 | Nut, 3/8 - 16 (4 Req.) | S23103 |
| 805 | Washer, Lock | S23038 |
| 810 | Plug, Pipe 1/2 NPT (4 Req.) | S23717 |
| 815 | Ring, Retaining | S16767 |

TABLE II

| HP | PH | Bracket No. | "AK" Fit | "U" Dim. | Motor Frame |
|----|----|-------------|----------|----------|-------------|
| 20 | 3 | H03300 | 8-1/2" | 1-1/4" | 256JM |
| 25 | 3 | H03301 | 12-1/2" | 1-1/4" | 284JM |
| 30 | 3 | H03301 | 12-1/2" | 1-1/4" | 286JM |
| 40 | 3 | H03301 | 12-1/2" | 1-1/4" | 324JM |
| 50 | 3 | H03301 | 12-1/2" | 1-1/4" | 326JM |

NOTE: For an explanation of the tabulated material found on this page and for impeller key location, refer to *Supplement A* located at the beginning of this section.



TYPE "B" SINGLE STAGE CENTRIFUGAL PUMP Electric Motor Drive

| | |
|-------------------|-----------------|
| Section | CC |
| Page | 270.3 |
| Date | January 1, 2004 |
| Supersedes 6/1/95 | |

CAST IRON IMPELLER

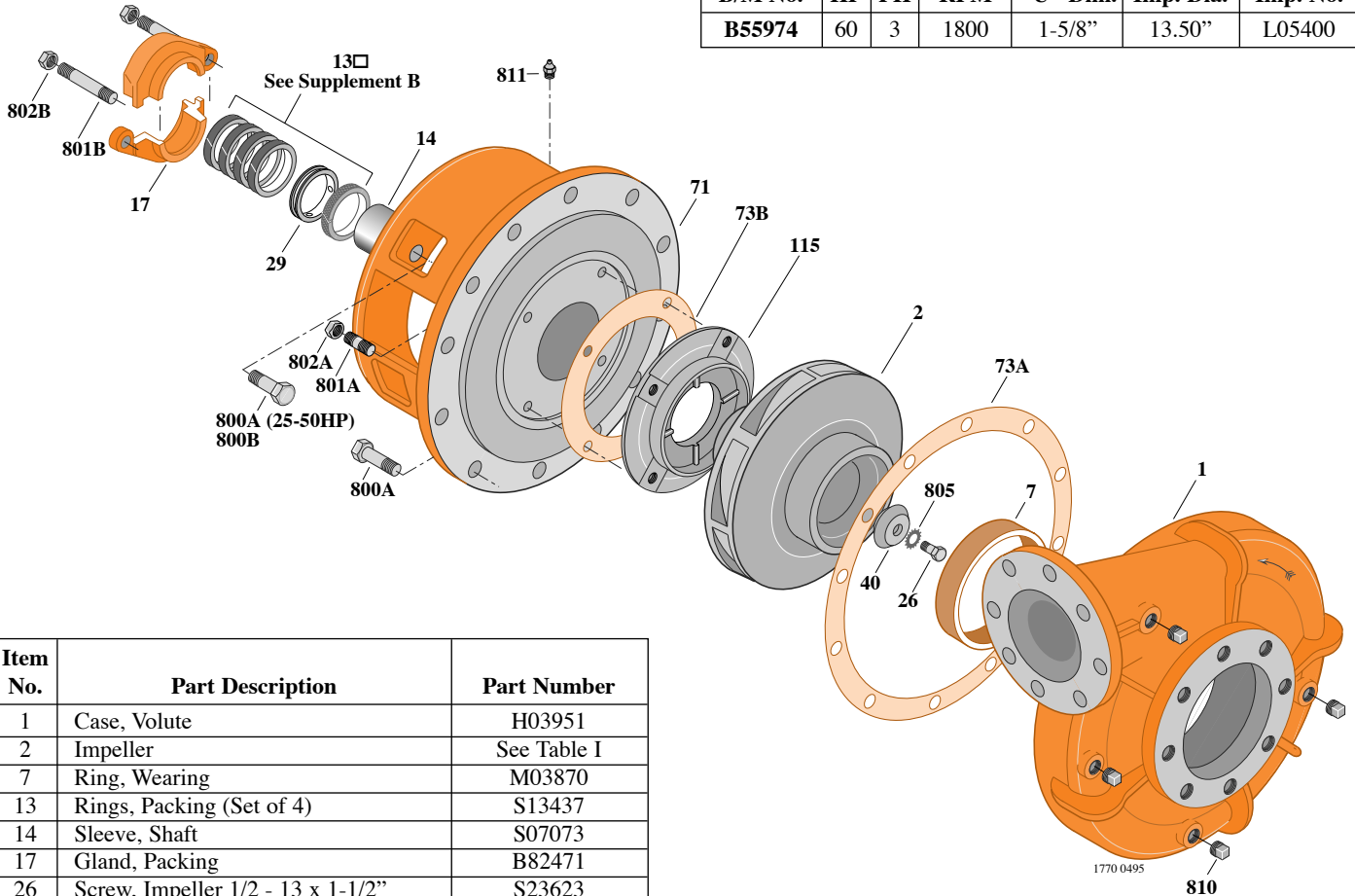
B4JPBHH

Flanged Case

Packing Construction

TABLE I

| B/M No. | HP | PH | RPM | "U" Dim. | Imp. Dia. | Imp. No. |
|---------|----|----|------|----------|-----------|----------|
| B55974 | 60 | 3 | 1800 | 1-5/8" | 13.50" | L05400 |



| Item No. | Part Description | Part Number |
|----------|---------------------------------------|--------------|
| 1 | Case, Volute | H03951 |
| 2 | Impeller | See Table I |
| 7 | Ring, Wearing | M03870 |
| 13 | Rings, Packing (Set of 4) | S13437 |
| 14 | Sleeve, Shaft | S07073 |
| 17 | Gland, Packing | B82471 |
| 26 | Screw, Impeller 1/2 - 13 x 1-1/2" | S23623 |
| 29 | Ring, Lantern | S19198 |
| 32 | Key, 3/8 x 2-1/4" (See Note) | S23940 |
| 40 | Deflector | S18801 |
| 71 | Bracket | See Table II |
| 73A | Gasket, Volute | S06271 |
| 73B | Gasket, Balance Ring | S09943 |
| 115 | Ring, Balance | S19521 |
| 800A | Capscrew, 5/8 - 11 x 1-1/2" (12 Req.) | S26999 |
| 800B | Capscrew, 5/8 - 11 x 1-3/4" (4 Req.) | S27001 |
| 801A | Stud, 3/8 - 16 x 1-3/4" (4 Req.) | S23996 |
| 801B | Stud, 3/8 - 16 x 2-1/2" (2 Req.) | S04438 |
| 802A | Nut, Hex 3/8 - 16 (4 Req.) | S23103 |
| 802B | Nut, Hex 3/8 - 16 (2 Req.) | S23343 |
| 805 | Washer, Lock | S23038 |
| 810 | Plug, Pipe 1/2 NPT (4 Req.) | S23717 |
| 811 | Fitting, Grease | S23700 |
| 812 | Elbow, Street | S25421 |

TABLE II

| HP | PH | Bracket No. | "AK" Fit | "U" Dim. | Motor Frame |
|----|----|-------------|----------|----------|-------------|
| 60 | 3 | H03622 | 12-1/2" | 1-5/8" | 364JP |

NOTE: For an explanation of the tabulated material found on this page and for impeller key location, refer to *Supplement A* located at the beginning of this section.



TYPE "B" SINGLE STAGE CENTRIFUGAL PUMP Electric Motor Drive

| | |
|-------------------|-----------------|
| Section | CC |
| Page | 270.4 |
| Date | January 1, 2004 |
| Supersedes 6/1/95 | |

CAST IRON IMPELLER

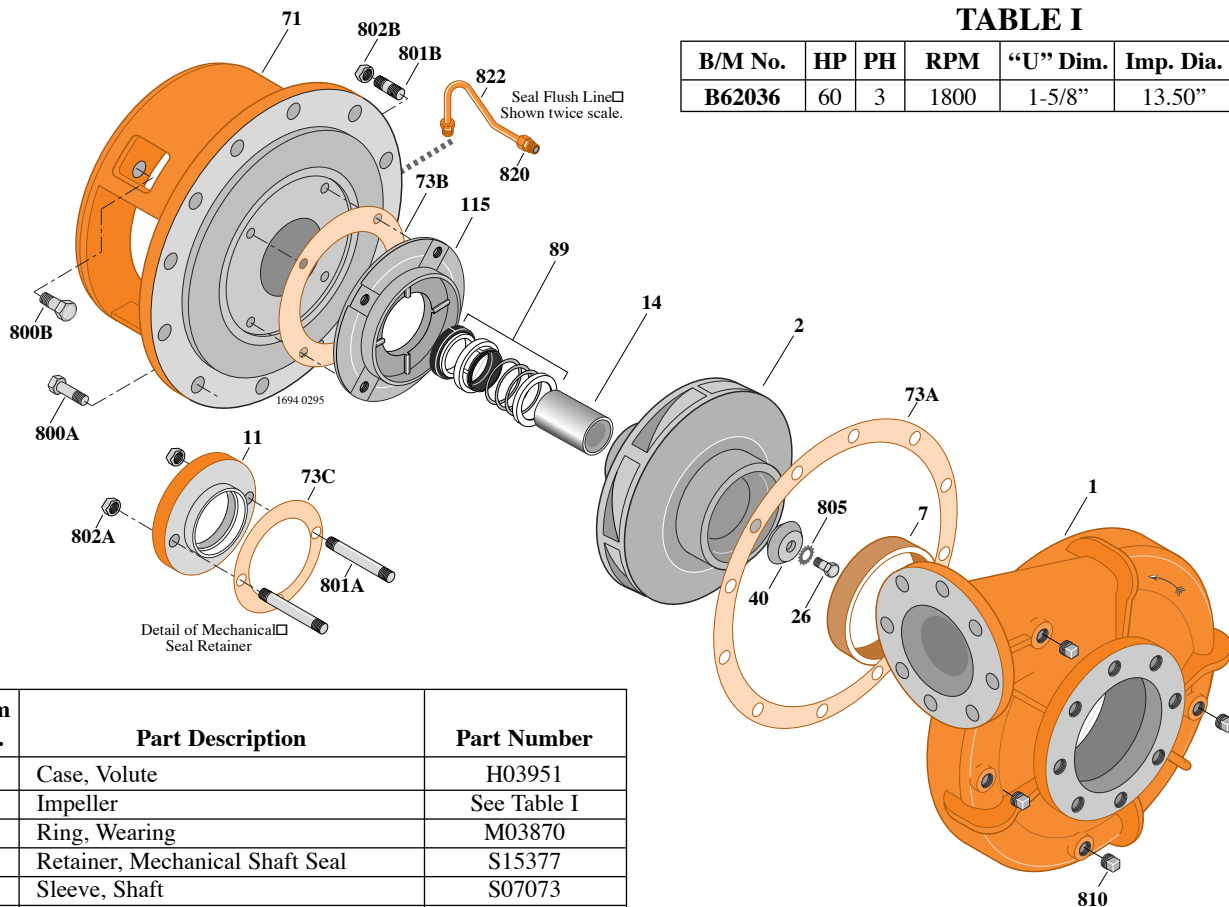
B4JPBHHS

Flanged Case

Mechanical Shaft Seal Construction

TABLE I

| B/M No. | HP | PH | RPM | "U" Dim. | Imp. Dia. | Imp. No. |
|---------------|----|----|------|----------|-----------|----------|
| B62036 | 60 | 3 | 1800 | 1-5/8" | 13.50" | L05400 |



| Item No. | Part Description | Part Number |
|----------|---------------------------------------|--------------|
| 1 | Case, Volute | H03951 |
| 2 | Impeller | See Table I |
| 7 | Ring, Wearing | M03870 |
| 11 | Retainer, Mechanical Shaft Seal | S15377 |
| 14 | Sleeve, Shaft | S07073 |
| 26 | Screw, Impeller 1/2 - 13 x 1-1/2" | S23623 |
| 32 | Key, 3/8 x 2-1/4" (See Note) | S23940 |
| 40 | Deflector | S18801 |
| 71 | Bracket | See Table II |
| 73A | Gasket, Volute Case | S06271 |
| 73B | Gasket, Balance Ring | S09943 |
| 73C | Gasket, Seal Retainer | S15078 |
| 89 | Seal, Mechanical Shaft | S32016 |
| 115 | Ring, Balance | S19521 |
| 800A | Capscrew, 5/8 - 11 x 1-1/2" (12 Req.) | S26999 |
| 800B | Capscrew, 5/8 - 11 x 1-3/4" (4 Req.) | S27001 |
| 801A | Stud, 3/8 - 16 x 2-1/2" (2 Req.) | S04438 |
| 802A | Nut, 3/8 - 16 | S23343 |
| 801B | Stud, 3/8 - 16 x 1-3/4" (4 Req.) | S23996 |
| 802B | Nut, 3/8 - 16 (4 Req.) | S23013 |
| 805 | Washer, Lock | S23038 |
| 810 | Plug, Pipe 1/2 NPT | S23717 |
| 820 | Connector, Comp. Fitting (2 Req.) | S24013 |
| 822 | Tubing, Copper | S20677 |
| • | Plug, Pipe 1/8 NPT (Not Illustrated) | S23714 |

TABLE II

| HP | PH | Bracket No. | "AK" Fit | "U" Dim. | Motor Frame |
|----|----|-------------|----------|----------|-------------|
| 60 | 3 | H03936 | 12-1/2" | 1-5/8" | 364JP |

NOTE: For an explanation of the tabulated material found on this page and for impeller key location, refer to *Supplement A* located at the beginning of this section.



TYPE "B" SINGLE STAGE CENTRIFUGAL PUMP Electric Motor Drive

| | |
|-------------------|-----------------|
| Section | CC |
| Page | 275.1 |
| Date | January 1, 2004 |
| Supersedes 9/1/97 | |

SILICON BRONZE IMPELLER

B4GPBH

Flanged Case

Packing Construction

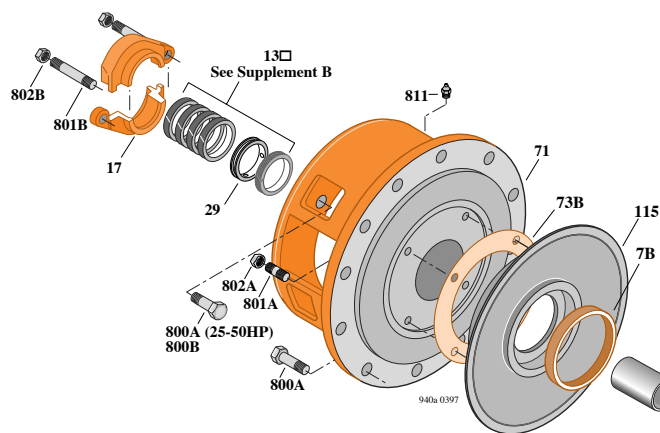


TABLE I

| B/M No. | HP | PH | RPM | "U" Dim. | Imp. Dia. | Imp. No. |
|---------------|----|----|------|----------|-----------|----------|
| B75868 | 15 | 3 | 1750 | 1-1/4" | 9.50" | M11268 |
| B75859 | 20 | 3 | 1750 | 1-1/4" | 10.31" | M11267 |
| B75858 | 25 | 3 | 1750 | 1-1/4" | 11.06" | M11266 |
| B75857 | 30 | 3 | 1750 | 1-1/4" | 11.69" | M11265 |
| B75856 | 40 | 3 | 1750 | 1-1/4" | 12.56" | M11264 |
| B75855 | 50 | 3 | 1750 | 1-1/4" | 12.75" | H05779 |

| Item No. | Part Description | Part Number |
|----------|--|--------------|
| 1 | Case, Volute | H05778 |
| 2 | Impeller | See Table I |
| 7A | Ring, Wearing | M11195 |
| 7B | Ring, Wearing | M11194 |
| 13 | Ring, Packing (Set of 5) | S13435 |
| 14 | Sleeve, Shaft | S05149 |
| 17 | Gland, Packing | B82470 |
| 26 | Screw, Impeller 5/8 - 11 x 1-3/4" | S27001 |
| 29 | Ring, Lantern | S19200 |
| 69 | Deflector | S06319 |
| 71 | Bracket | See Table II |
| 73A | Gasket, Volute Case | S06271 |
| 73B | Gasket, Balance Ring | S09943 |
| 73C | Gasket, Eccentric Reducer | S10367 |
| 115 | Ring, Balance | H05781 |
| 800A | Capscrew, 5/8 - 11 x 1-1/2" (16 Req.) (12-1/2 AK) | S26999 |
| 800A | Capscrew, 5/8 - 11 x 1-1/2" (12 Req.) (8-1/2 AK) | S26999 |
| 800B | Capscrew, 1/2 - 13 x 1-1/2" (4 Req.) (8-1/2 AK Only) | S26916 |
| 800C | Capscrew, 3/4" - 10 x 1-3/4" (8 Req.) | S27327 |
| 801A | Stud, 3/8 - 16 x 1-3/8" (4 Req.) | S09942 |
| 801B | Stud, 3/8 - 16 x 2-1/2" (2 Req.) | S04438 |
| 802A | Nut, 3/8 - 16 (4 Req.) | S23103 |
| 802B | Nut, 3/8 - 16 (2 Req.) | S23343 |
| 805 | Washer, Lock | S23038 |
| 810 | Plug, Pipe 1/2 NPT (6 Req.) | S23717 |
| 811 | Fitting, Grease | S23700 |
| 831 | Reducer, Eccentric | H05780 |

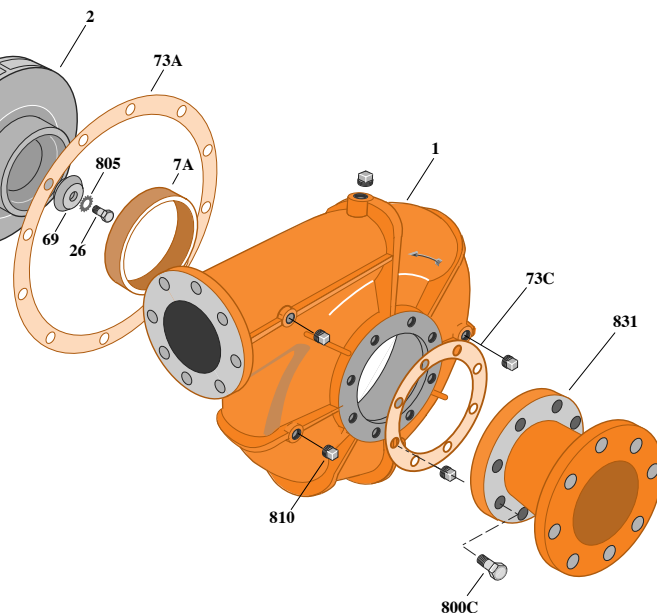


TABLE II

| HP | PH | Bracket No. | "AK" Fit | "U" Dim. | Motor Frame |
|----|----|-------------|----------|----------|-------------|
| 15 | 3 | H02384 | 8-1/2" | 1-1/4" | 254TCZ/JP |
| 20 | 3 | H02384 | 8-1/2" | 1-1/4" | 256JP/TCZ |
| 25 | 3 | H01601 | 12-1/2" | 1-1/4" | 284JP |
| 30 | 3 | H01601 | 12-1/2" | 1-1/4" | 286JP |
| 40 | 3 | H01601 | 12-1/2" | 1-1/4" | 324JP/TCZ |
| 50 | 3 | H01601 | 12-1/2" | 1-1/4" | 326JP |

NOTE: For an explanation of the tabulated material found on this page and for impeller key location, refer to *Supplement A* located at the beginning of this section.



TYPE "B" SINGLE STAGE CENTRIFUGAL PUMP Electric Motor Drive

| | |
|-------------------|-----------------|
| Section | CC |
| Page | 275.2 |
| Date | January 1, 2004 |
| Supersedes 9/1/97 | |

SILICON BRONZE IMPELLER

B4GPBHS

Flanged Case

Mechanical Shaft Seal Construction

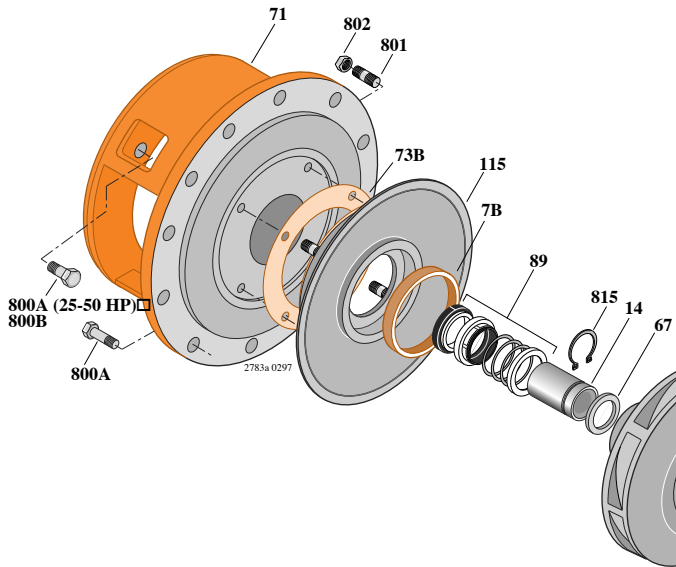
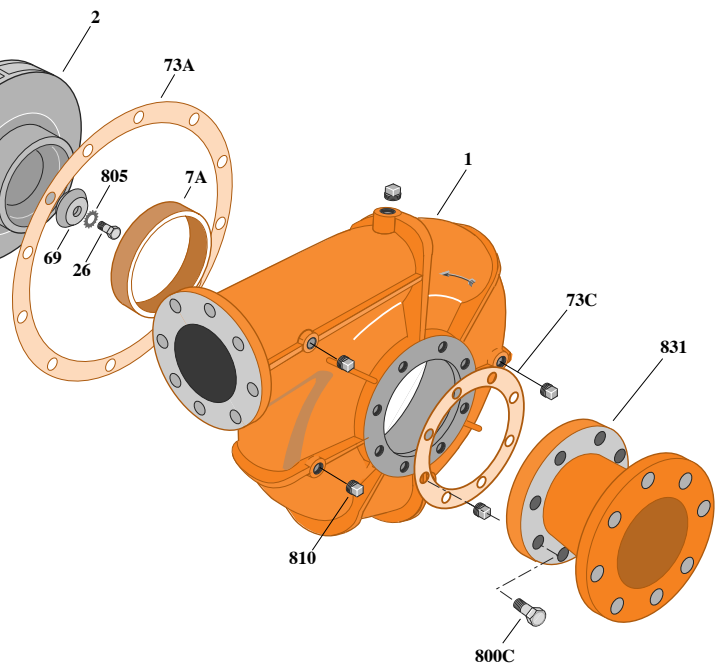


TABLE I

| B/M No. | HP | PH | RPM | "U" Dim. | Imp. Dia. | Imp. No. |
|---------|----|----|------|----------|-----------|----------|
| B75869 | 15 | 3 | 1750 | 1-1/4" | 9.50" | M11268 |
| B75863 | 20 | 3 | 1750 | 1-1/4" | 10.31" | M11267 |
| B75862 | 25 | 3 | 1750 | 1-1/4" | 11.06" | M11266 |
| B75861 | 30 | 3 | 1750 | 1-1/4" | 11.69" | M11265 |
| B75860 | 40 | 3 | 1750 | 1-1/4" | 12.56" | M11264 |
| B75279 | 50 | 3 | 1750 | 1-1/4" | 12.75" | H05779 |



| Item No. | Part Description | Part Number |
|----------|--|--------------|
| 1 | Case, Volute | H05778 |
| 2 | Impeller | See Table I |
| 7A | Ring, Wearing | M11195 |
| 7B | Ring, Wearing | M11194 |
| 14 | Sleeve, Shaft | S18869 |
| 26 | Screw, Impeller 5/8 - 11 x 1-3/4" | S27001 |
| 67 | Ring, Spacer | S19349 |
| 69 | Deflector | S06319 |
| 71 | Bracket | See Table II |
| 73A | Gasket, Volute Case | S06271 |
| 73B | Gasket, Balance Ring | S09943 |
| 73C | Gasket, Eccentric Reducer | S10367 |
| 89 | Seal, Mechanical Shaft | S32015 |
| 115 | Ring, Balance | H05781 |
| 800A | Capscrew, 5/8 - 11 x 1-1/2" (16 Req.) (12-1/2 AK) | S26999 |
| 800A | Capscrew, 5/8 - 11 x 1-1/2" (12 Req.) (8-1/2 AK) | S26999 |
| 800B | Capscrew, 1/2 - 13 x 1-1/2" (4 Req.) (8-1/2 AK Only) | S26916 |
| 800C | Capscrew, 3/4" - 10 x 1-3/4" (8 Req.) | S27327 |
| 801 | Stud, 3/8 - 16 x 1-3/8" (4 Req.) | S09942 |
| 802 | Nut, 3/8 - 16 (4 Req.) | S23103 |
| 805 | Washer, Lock | S23038 |
| 810 | Plug, Pipe 1/2 NPT (6 Req.) | S23717 |
| 815 | Ring, Retaining | S16767 |
| 831 | Reducer, Eccentric | H05780 |

TABLE II

| HP | PH | Bracket No. | "AK" Fit | "U" Dim. | Motor Frame |
|----|----|-------------|----------|----------|-------------|
| 15 | 3 | H03300 | 8-1/2" | 1-1/4" | 254JM |
| 20 | 3 | H03300 | 8-1/2" | 1-1/4" | 256JM |
| 25 | 3 | H03301 | 12-1/2" | 1-1/4" | 284JM |
| 30 | 3 | H03301 | 12-1/2" | 1-1/4" | 286JM |
| 40 | 3 | H03301 | 12-1/2" | 1-1/4" | 324JM |
| 50 | 3 | H03301 | 12-1/2" | 1-1/4" | 326JM |

NOTE: For an explanation of the tabulated material found on this page and for impeller key location, refer to *Supplement A* located at the beginning of this section.



TYPE "B" SINGLE STAGE CENTRIFUGAL PUMP Electric Motor Drive

| | |
|----------------|-----------------|
| Section | CC |
| Page | 275.3 |
| Date | January 1, 2004 |
| Supersedes NEW | |

SILICON BRONZE IMPELLER

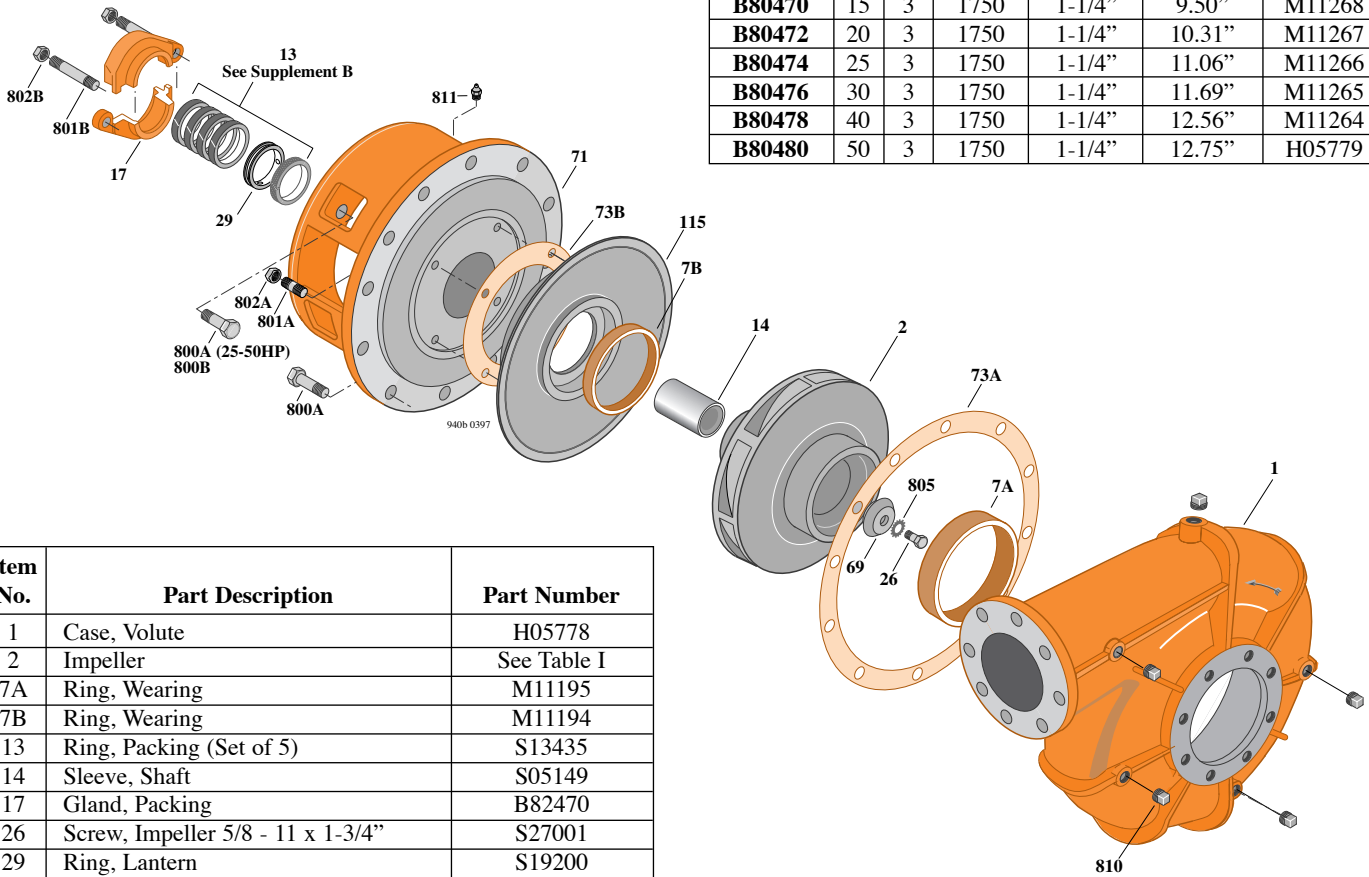
B4GPBH

Flanged Case

Packing Construction

TABLE I

| B/M No. | HP | PH | RPM | "U" Dim. | Imp. Dia. | Imp. No. |
|---------------|----|----|------|----------|-----------|----------|
| B80470 | 15 | 3 | 1750 | 1-1/4" | 9.50" | M11268 |
| B80472 | 20 | 3 | 1750 | 1-1/4" | 10.31" | M11267 |
| B80474 | 25 | 3 | 1750 | 1-1/4" | 11.06" | M11266 |
| B80476 | 30 | 3 | 1750 | 1-1/4" | 11.69" | M11265 |
| B80478 | 40 | 3 | 1750 | 1-1/4" | 12.56" | M11264 |
| B80480 | 50 | 3 | 1750 | 1-1/4" | 12.75" | H05779 |



| Item No. | Part Description | Part Number |
|----------|--|--------------|
| 1 | Case, Volute | H05778 |
| 2 | Impeller | See Table I |
| 7A | Ring, Wearing | M11195 |
| 7B | Ring, Wearing | M11194 |
| 13 | Ring, Packing (Set of 5) | S13435 |
| 14 | Sleeve, Shaft | S05149 |
| 17 | Gland, Packing | B82470 |
| 26 | Screw, Impeller 5/8 - 11 x 1-3/4" | S27001 |
| 29 | Ring, Lantern | S19200 |
| 69 | Deflector | S06319 |
| 71 | Bracket | See Table II |
| 73A | Gasket, Volute Case | S06271 |
| 73B | Gasket, Balance Ring | S09943 |
| 115 | Ring, Balance | H05781 |
| 800A | Capscrew, 5/8 - 11 x 1-1/2" (16 Req.) (12-1/2 AK) | S26999 |
| 800A | Capscrew, 5/8 - 11 x 1-1/2" (12 Req.) (8-1/2 AK) | S26999 |
| 800B | Capscrew, 1/2 - 13 x 1-1/2" (4 Req.) (8-1/2 AK Only) | S26916 |
| 801A | Stud, 3/8 - 16 x 1-3/8" (4 Req.) | S09942 |
| 801B | Stud, 3/8 - 16 x 2-1/2" (2 Req.) | S04438 |
| 802A | Nut, 3/8 - 16 (4 Req.) | S23103 |
| 802B | Nut, 3/8 - 16 (2 Req.) | S23343 |
| 805 | Washer, Lock | S23038 |
| 810 | Plug, Pipe 1/2 NPT (6 Req.) | S23717 |
| 811 | Fitting, Grease | S23700 |

TABLE II

| HP | PH | Bracket No. | "AK" Fit | "U" Dim. | Motor Frame |
|----|----|-------------|----------|----------|-------------|
| 15 | 3 | H02384 | 8-1/2" | 1-1/4" | 254TCZ/JP |
| 20 | 3 | H02384 | 8-1/2" | 1-1/4" | 256JP/TCZ |
| 25 | 3 | H01601 | 12-1/2" | 1-1/4" | 284JP |
| 30 | 3 | H01601 | 12-1/2" | 1-1/4" | 286JP |
| 40 | 3 | H01601 | 12-1/2" | 1-1/4" | 324JP/TCZ |
| 50 | 3 | H01601 | 12-1/2" | 1-1/4" | 326JP |

NOTE: For an explanation of the tabulated material found on this page and for impeller key location, refer to *Supplement A* located at the beginning of this section.



TYPE "B" SINGLE STAGE CENTRIFUGAL PUMP Electric Motor Drive

| | |
|----------------|-----------------|
| Section | CC |
| Page | 275.4 |
| Date | January 1, 2004 |
| Supersedes NEW | |

SILICON BRONZE IMPELLER

B4GPBHS

Flanged Case

Mechanical Shaft Seal Construction

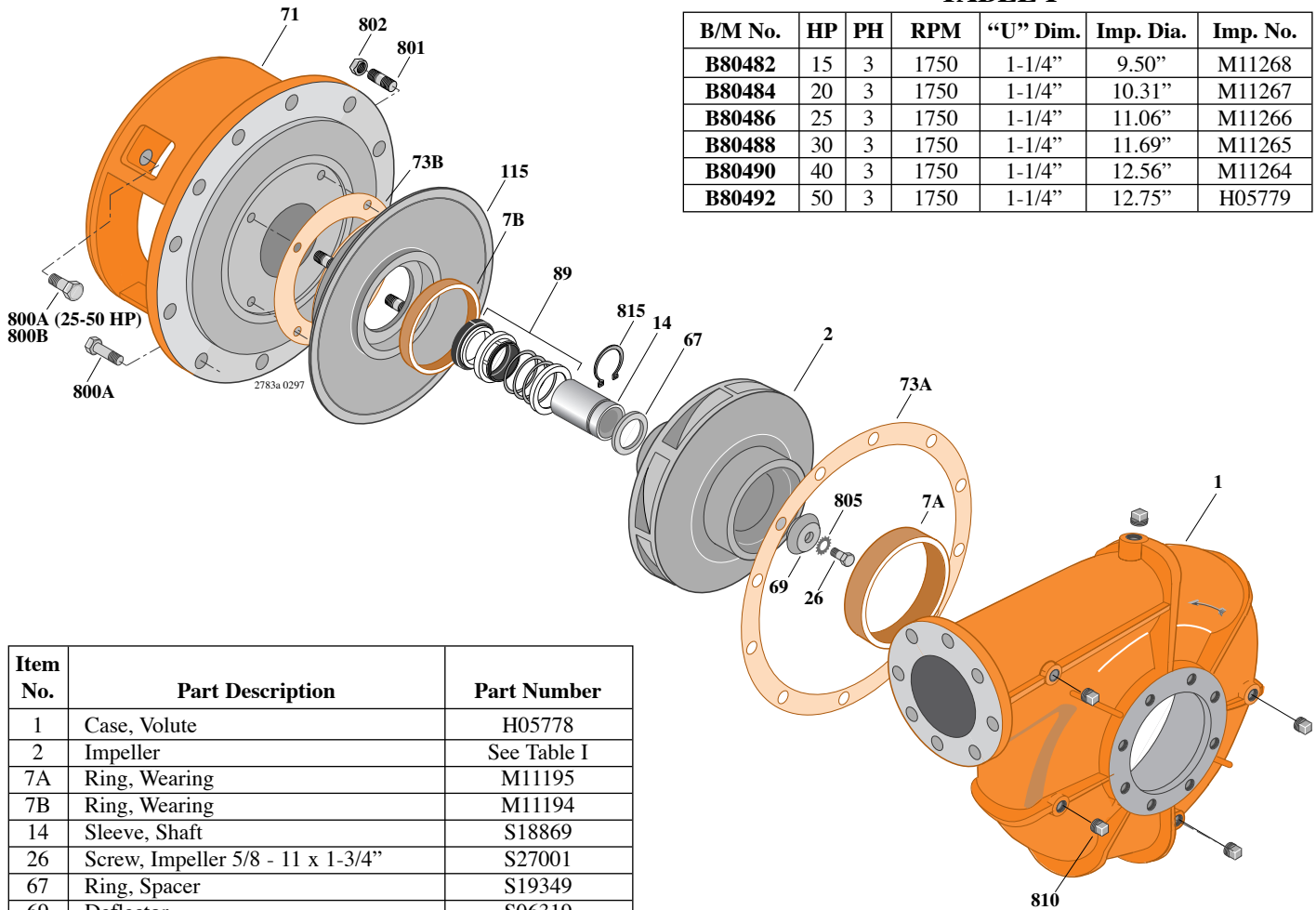


TABLE I

| B/M No. | HP | PH | RPM | "U" Dim. | Imp. Dia. | Imp. No. |
|---------------|----|----|------|----------|-----------|----------|
| B80482 | 15 | 3 | 1750 | 1-1/4" | 9.50" | M11268 |
| B80484 | 20 | 3 | 1750 | 1-1/4" | 10.31" | M11267 |
| B80486 | 25 | 3 | 1750 | 1-1/4" | 11.06" | M11266 |
| B80488 | 30 | 3 | 1750 | 1-1/4" | 11.69" | M11265 |
| B80490 | 40 | 3 | 1750 | 1-1/4" | 12.56" | M11264 |
| B80492 | 50 | 3 | 1750 | 1-1/4" | 12.75" | H05779 |

| Item No. | Part Description | Part Number |
|----------|--|--------------|
| 1 | Case, Volute | H05778 |
| 2 | Impeller | See Table I |
| 7A | Ring, Wearing | M11195 |
| 7B | Ring, Wearing | M11194 |
| 14 | Sleeve, Shaft | S18869 |
| 26 | Screw, Impeller 5/8 - 11 x 1-3/4" | S27001 |
| 67 | Ring, Spacer | S19349 |
| 69 | Deflector | S06319 |
| 71 | Bracket | See Table II |
| 73A | Gasket, Volute Case | S06271 |
| 73B | Gasket, Balance Ring | S09943 |
| 89 | Seal, Mechanical Shaft | S32015 |
| 115 | Ring, Balance | H05781 |
| 800A | Capscrew, 5/8 - 11 x 1-1/2" (16 Req.) (12-1/2 AK) | S26999 |
| 800A | Capscrew, 5/8 - 11 x 1-1/2" (12 Req.) (8-1/2 AK) | S26999 |
| 800B | Capscrew, 1/2 - 13 x 1-1/2" (4 Req.) (8-1/2 AK Only) | S26916 |
| 801 | Stud, 3/8 - 16 x 1-3/8" (4 Req.) | S09942 |
| 802 | Nut, 3/8 - 16 (4 Req.) | S23103 |
| 805 | Washer, Lock | S23038 |
| 810 | Plug, Pipe 1/2 NPT (6 Req.) | S23717 |
| 815 | Ring, Retaining | S16767 |

TABLE II

| HP | PH | Bracket No. | "AK" Fit | "U" Dim. | Motor Frame |
|----|----|-------------|----------|----------|-------------|
| 15 | 3 | H03300 | 8-1/2" | 1-1/4" | 254JM |
| 20 | 3 | H03300 | 8-1/2" | 1-1/4" | 256JM |
| 25 | 3 | H03301 | 12-1/2" | 1-1/4" | 284JM |
| 30 | 3 | H03301 | 12-1/2" | 1-1/4" | 286JM |
| 40 | 3 | H03301 | 12-1/2" | 1-1/4" | 324JM |
| 50 | 3 | H03301 | 12-1/2" | 1-1/4" | 326JM |

NOTE: For an explanation of the tabulated material found on this page and for impeller key location, refer to *Supplement A* located at the beginning of this section.



TYPE "B" SINGLE STAGE CENTRIFUGAL PUMP Electric Motor Drive

| | |
|-------------------|-----------------|
| Section | CC |
| Page | 280.1 |
| Date | January 1, 2004 |
| Supersedes 6/1/95 | |

CAST IRON IMPELLER

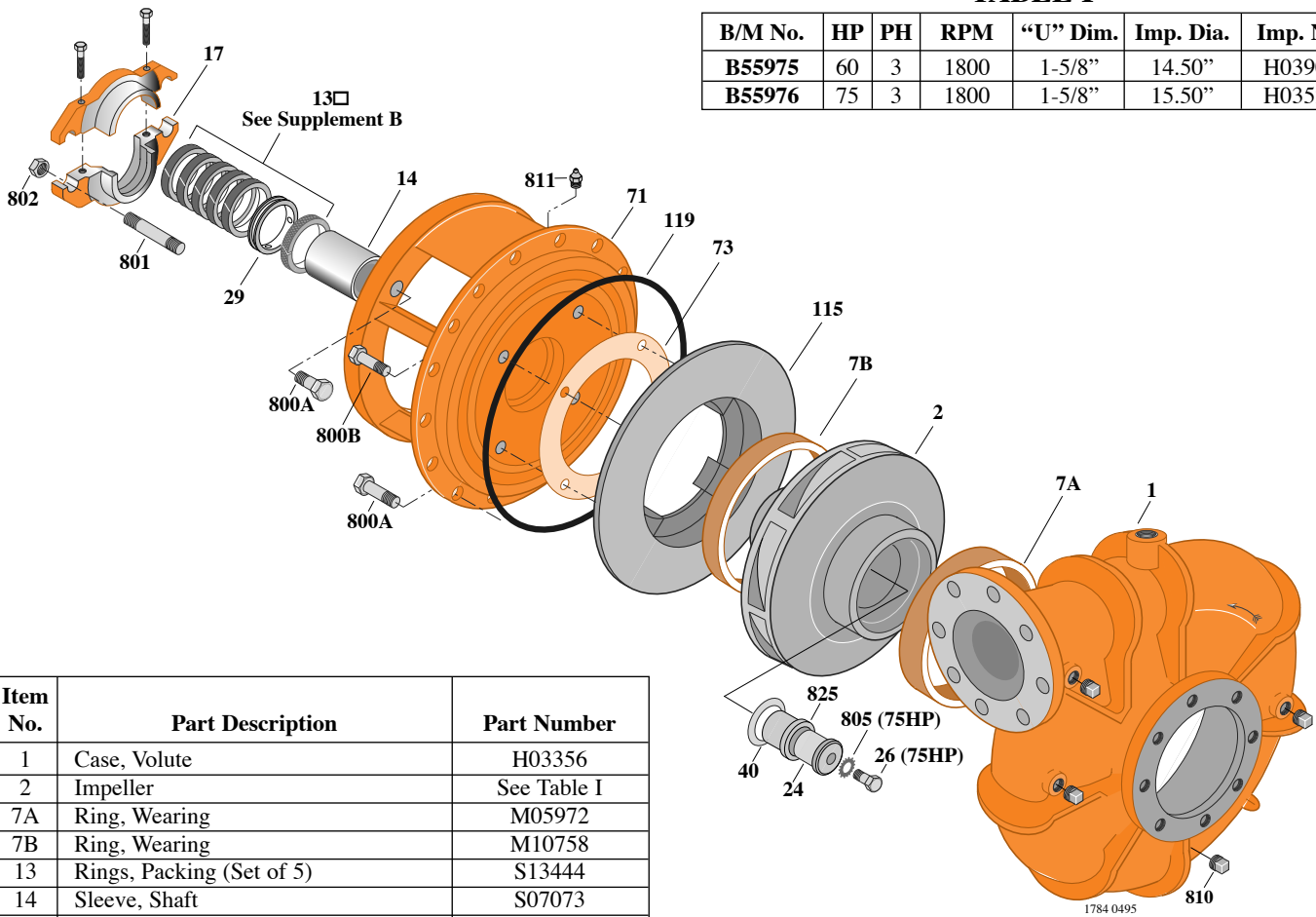
B4EXPBL

Flanged Case

Packing Construction

TABLE I

| B/M No. | HP | PH | RPM | "U" Dim. | Imp. Dia. | Imp. No. |
|---------------|----|----|------|----------|-----------|----------|
| B55975 | 60 | 3 | 1800 | 1-5/8" | 14.50" | H03900 |
| B55976 | 75 | 3 | 1800 | 1-5/8" | 15.50" | H03529 |



| Item No. | Part Description | Part Number |
|----------|---------------------------------------|--------------|
| 1 | Case, Volute | H03356 |
| 2 | Impeller | See Table I |
| 7A | Ring, Wearing | M05972 |
| 7B | Ring, Wearing | M10758 |
| 13 | Rings, Packing (Set of 5) | S13444 |
| 14 | Sleeve, Shaft | S07073 |
| 17 | Gland, Packing | B82473 |
| 24 | Locknut, Impeller | S19868 |
| 26 | Screw, Impeller 1/2 - 13 x 3-1/2" | S23633 |
| 29 | Ring, Lantern | S19198 |
| 32 | Key, 3/8 x 2-1/4" (See Note) | S23940 |
| 40 | Deflector | S19864 |
| 71 | Bracket | See Table II |
| 73 | Gasket, Balance Ring | S09943 |
| 115 | Ring, Balance | M06728 |
| 119 | O-Ring | S14444 |
| 800A | Capscrew, 5/8 - 11 x 1-3/4" (20 Req.) | S27001 |
| 800B | Capscrew, 3/8 - 16 x 1" (4 Req.) | S26826 |
| 801 | Stud, 1/2 - 13 x 3-3/4" (2 Req.) | S08305 |
| 802 | Nut, Hex 1/2 - 13 x 7/16" (2 Req.) | S23347 |
| 805 | Washer, Lock | S23038 |
| 810 | Plug, Pipe 1/2 NPT (4 Req.) | S23717 |
| 811 | Fitting, Grease | S23700 |
| 825 | Sleeve, Impeller Locknut | S19865 |

TABLE II

| HP | PH | Bracket No. | "AK" Fit | "U" Dim. | Motor Frame |
|----|----|-------------|----------|----------|-------------|
| 60 | 3 | H03684 | 12-1/2" | 1-5/8" | 364JP |
| 75 | 3 | H03684 | 12-1/2" | 1-5/8" | 365JP |

NOTE: For an explanation of the tabulated material found on this page and for impeller key location, refer to *Supplement A* located at the beginning of this section.



TYPE "B" SINGLE STAGE CENTRIFUGAL PUMP Electric Motor Drive

| | |
|----------------|--------------|
| Section | CC |
| Page | 290.1 |
| Date | June 1, 1995 |
| Supersedes/New | |

CAST IRON IMPELLER

B4EYPBM

Flanged Case

Packing Construction

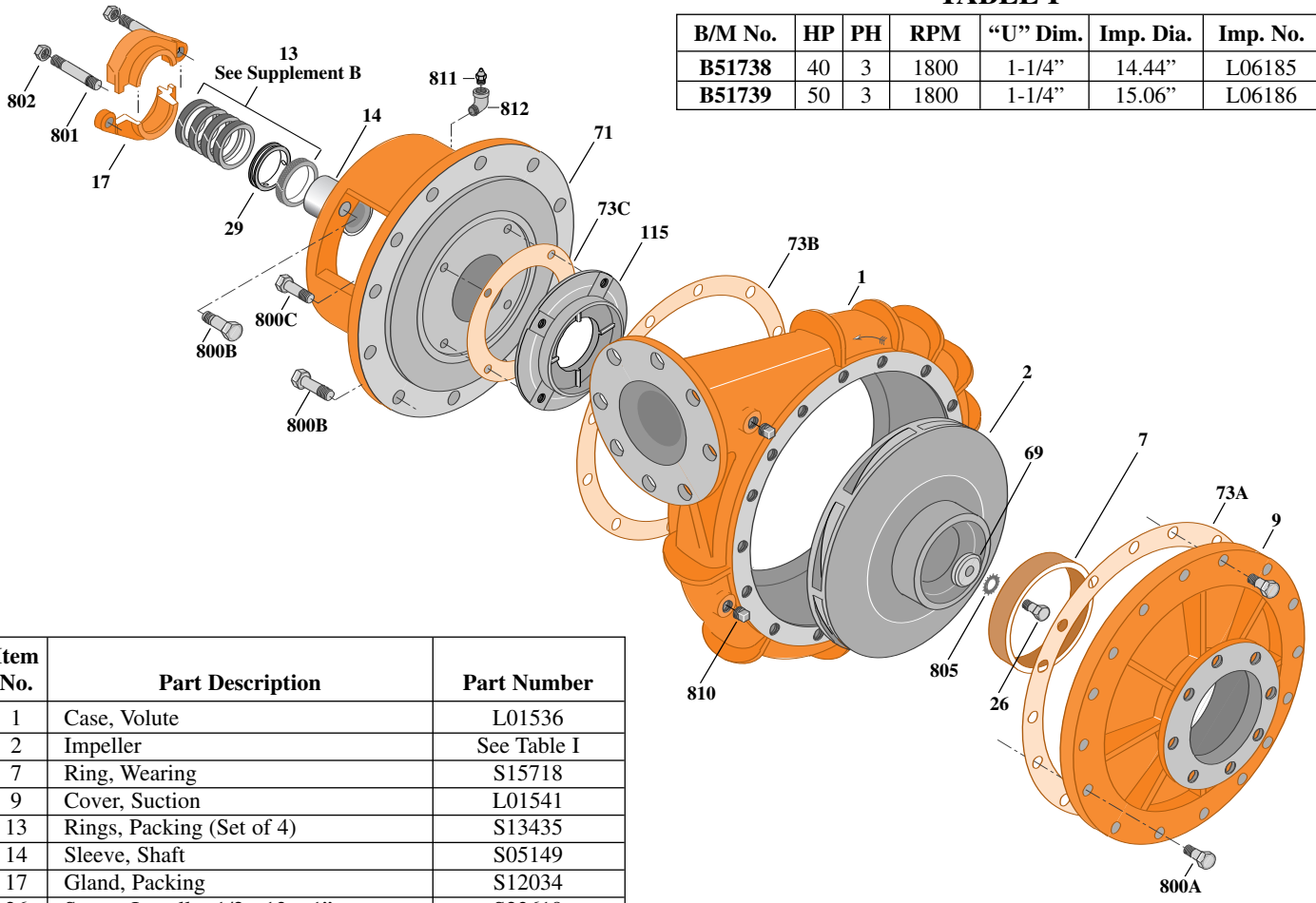


TABLE I

| B/M No. | HP | PH | RPM | "U" Dim. | Imp. Dia. | Imp. No. |
|---------------|----|----|------|----------|-----------|----------|
| B51738 | 40 | 3 | 1800 | 1-1/4" | 14.44" | L06185 |
| B51739 | 50 | 3 | 1800 | 1-1/4" | 15.06" | L06186 |

| Item No. | Part Description | Part Number |
|----------|---------------------------------------|--------------|
| 1 | Case, Volute | L01536 |
| 2 | Impeller | See Table I |
| 7 | Ring, Wearing | S15718 |
| 9 | Cover, Suction | L01541 |
| 13 | Rings, Packing (Set of 4) | S13435 |
| 14 | Sleeve, Shaft | S05149 |
| 17 | Gland, Packing | S12034 |
| 26 | Screw, Impeller 1/2 - 13 x 1" | S23619 |
| 29 | Ring, Lantern | S19200 |
| 32 | Key, 1/4 x 2-1/4" (See Note) | S23677 |
| 69 | Washer, Impeller | S06319 |
| 71 | Bracket | See Table II |
| 73A | Gasket, Suction Cover | S06401 |
| 73B | Gasket, Volute | S06271 |
| 73C | Gasket, Balance Ring | S09943 |
| 115 | Ring, Balance | S13655 |
| 800A | Capscrew, 5/8 - 11 x 1-3/4" (16 Req.) | S27001 |
| 800B | Capscrew, 5/8 - 11 x 1-1/2" (16 Req.) | S26999 |
| 800C | Capscrew, 3/8 - 16 x 1-1/2" (4 Req.) | S26830 |
| 801 | Stud, 3/8 - 16 x 2-1/2" (2 Req.) | S04438 |
| 802 | Nut, Hex 3/8 - 16 (2 Req.) | S23343 |
| 805 | Washer, Lock | S23038 |
| 810 | Plug, Pipe 1/2 NPT (4 Req.) | S23717 |
| 811 | Fitting, Grease | S23700 |
| 812 | Elbow, Street | S25421 |

TABLE II

| HP | PH | Bracket No. | "AK" Fit | "U" Dim. | Motor Frame |
|----|----|-------------|----------|----------|-------------|
| 40 | 3 | H01601 | 12-1/2" | 1-1/4" | 324JP |
| 50 | 3 | H01601 | 12-1/2" | 1-1/4" | 326JP |

NOTE: For an explanation of the tabulated material found on this page and for impeller key location, refer to *Supplement A* located at the beginning of this section.

1765 0495



TYPE "B" SINGLE STAGE CENTRIFUGAL PUMP Electric Motor Drive

| | |
|-------------------|------------------|
| Section | CC |
| Page | 290.1.1 |
| Date | December 1, 2005 |
| Supersedes 1/1/04 | |

CAST IRON IMPELLER

B4EYPBM

Flanged Case

Packing Construction

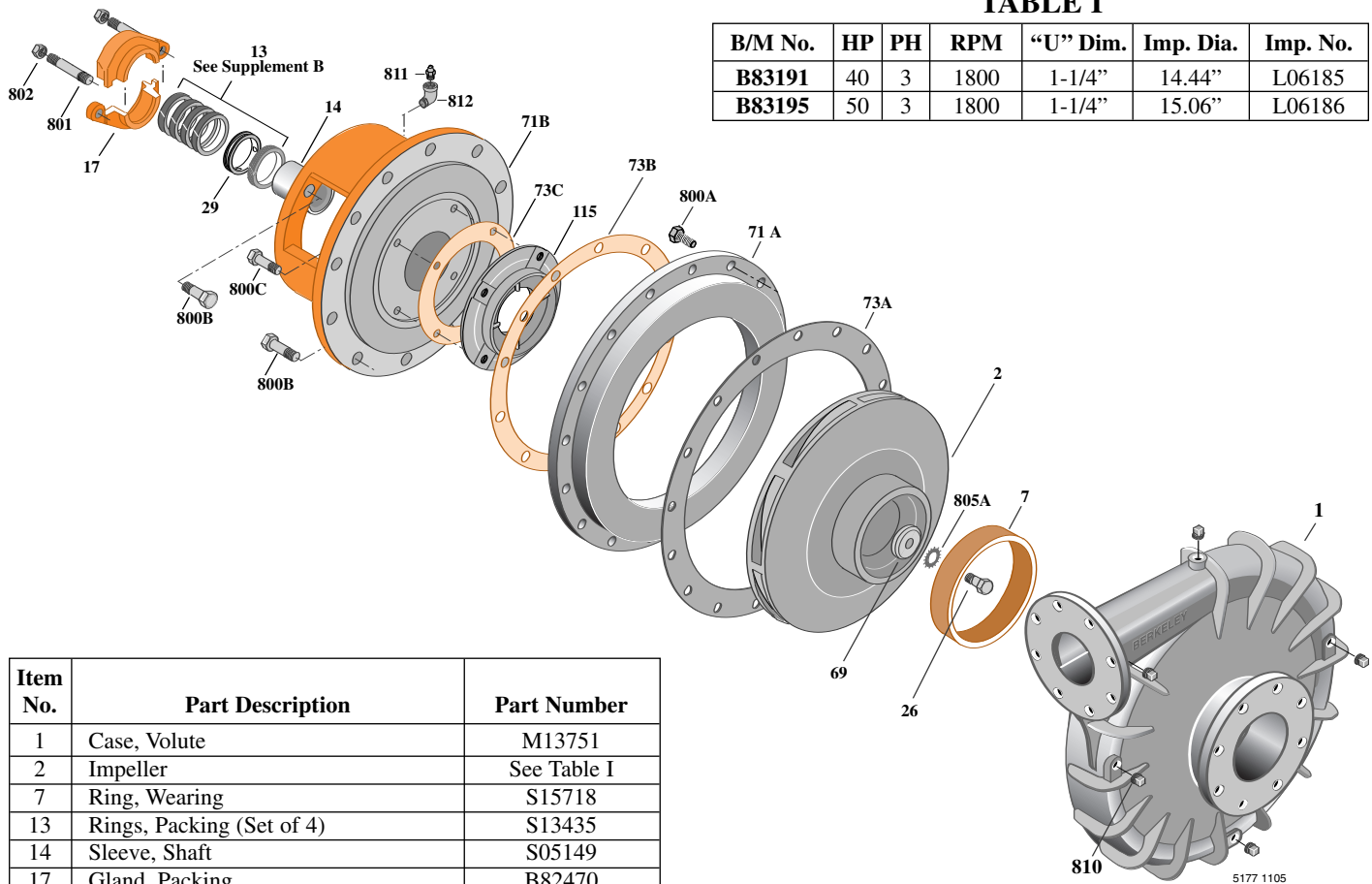


TABLE I

| B/M No. | HP | PH | RPM | "U" Dim. | Imp. Dia. | Imp. No. |
|---------------|----|----|------|----------|-----------|----------|
| B83191 | 40 | 3 | 1800 | 1-1/4" | 14.44" | L06185 |
| B83195 | 50 | 3 | 1800 | 1-1/4" | 15.06" | L06186 |

| Item No. | Part Description | Part Number |
|----------|---------------------------------------|--------------|
| 1 | Case, Volute | M13751 |
| 2 | Impeller | See Table I |
| 7 | Ring, Wearing | S15718 |
| 13 | Rings, Packing (Set of 4) | S13435 |
| 14 | Sleeve, Shaft | S05149 |
| 17 | Gland, Packing | B82470 |
| 26 | Screw, Impeller 1/2 - 13 x 1" | S23619 |
| 29 | Ring, Lantern | S19200 |
| 32 | Key, 1/4 x 2-1/4" (See Note) | S23677 |
| 69 | Washer, Impeller | S06319 |
| 71A | Ring, Adapter | M13753 |
| 71B | Bracket | See Table II |
| 73A | Gasket, Suction Cover | S06401 |
| 73B | Gasket, Volute | S06271 |
| 73C | Gasket, Balance Ring | S09943 |
| 115 | Ring, Balance | S13655 |
| 800A | Capscrew, 5/8 - 11 x 1-3/4" (16 Req.) | S27001 |
| 800B | Capscrew, 5/8 - 11 x 1-1/2" (16 Req.) | S26999 |
| 800C | Capscrew, 3/8 - 16 x 1-1/2" (4 Req.) | S26830 |
| 801 | Stud, 3/8 - 16 x 2-1/2" (2 Req.) | S04438 |
| 802 | Nut, Hex 3/8 - 16 (2 Req.) | S23343 |
| 805 | Washer, Lock | S23038 |
| 810 | Plug, Pipe 1/2 NPT (4 Req.) | S23717 |
| 811 | Fitting, Grease | S23700 |
| 812 | Elbow, Street | S25421 |

TABLE II

| HP | PH | Bracket No. | "AK" Fit | "U" Dim. | Motor Frame |
|----|----|-------------|----------|----------|-------------|
| 40 | 3 | H01601 | 12-1/2" | 1-1/4" | 324JP |
| 50 | 3 | H01601 | 12-1/2" | 1-1/4" | 326JP |

NOTE: For an explanation of the tabulated material found on this page and for impeller key location, refer to *Supplement A* located at the beginning of this section.



TYPE "B" SINGLE STAGE CENTRIFUGAL PUMP Electric Motor Drive

| | |
|-------------------|------------------|
| Section | CC |
| Page | 290.2 |
| Date | November 2, 2009 |
| Supersedes 1/1/04 | |

CAST IRON IMPELLER

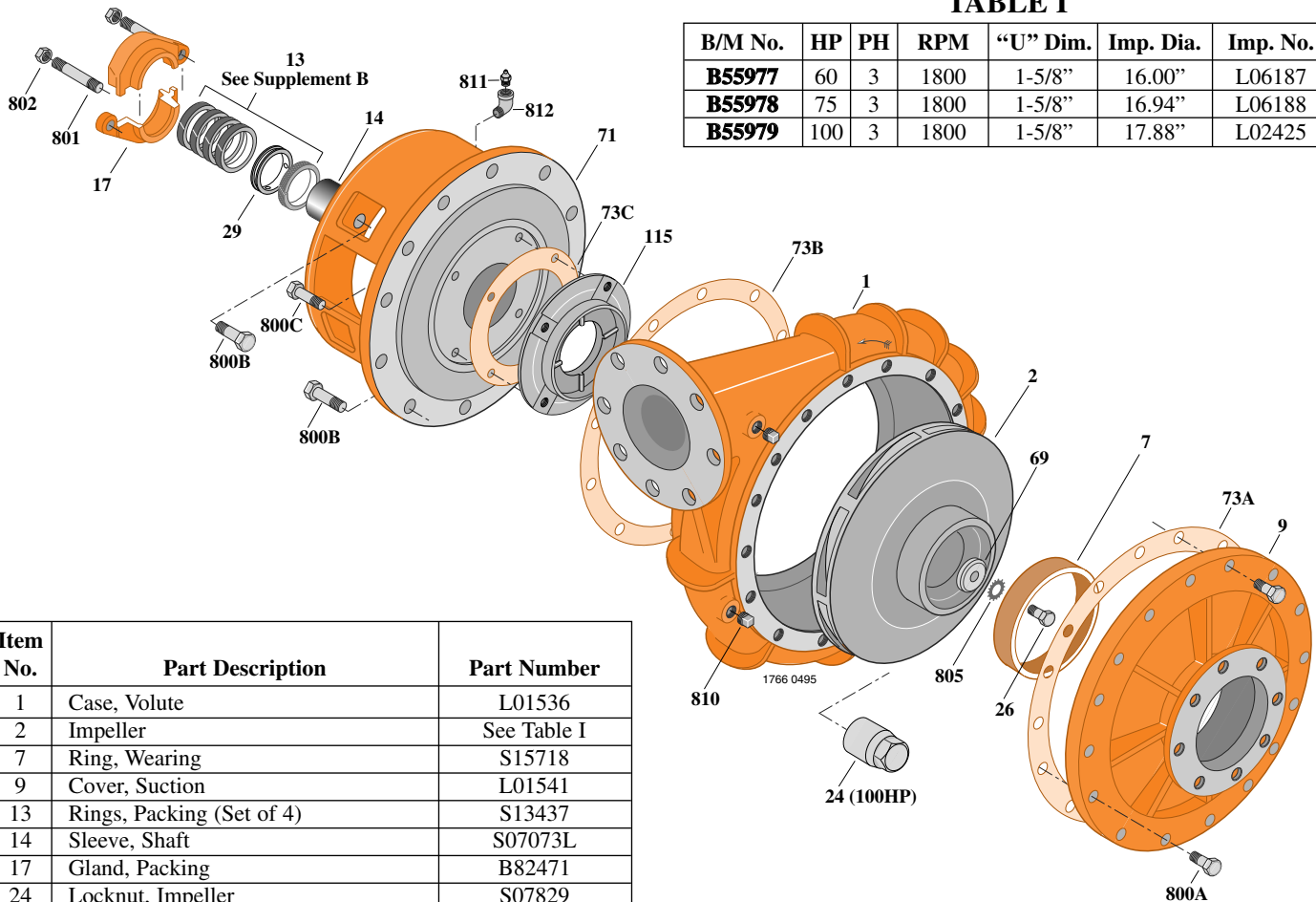
B4EYPBM

Flanged Case

Packing Construction

TABLE I

| B/M No. | HP | PH | RPM | "U" Dim. | Imp. Dia. | Imp. No. |
|---------------|-----|----|------|----------|-----------|----------|
| B55977 | 60 | 3 | 1800 | 1-5/8" | 16.00" | L06187 |
| B55978 | 75 | 3 | 1800 | 1-5/8" | 16.94" | L06188 |
| B55979 | 100 | 3 | 1800 | 1-5/8" | 17.88" | L02425 |



| Item No. | Part Description | Part Number |
|----------|---------------------------------------|--------------|
| 1 | Case, Volute | L01536 |
| 2 | Impeller | See Table I |
| 7 | Ring, Wearing | S15718 |
| 9 | Cover, Suction | L01541 |
| 13 | Rings, Packing (Set of 4) | S13437 |
| 14 | Sleeve, Shaft | S07073L |
| 17 | Gland, Packing | B82471 |
| 24 | Locknut, Impeller | S07829 |
| 26 | Screw, Impeller 1/2 - 13 x 1-1/4" | S23621 |
| 29 | Ring, Lantern | S19198 |
| 32 | Key, 3/8 x 2-1/4" (See Note) | S23940 |
| 69 | Washer, Impeller | S34492 |
| 71 | Bracket | See Table II |
| 73A | Gasket, Suction Cover | S06401 |
| 73B | Gasket, Volute | S06271 |
| 73C | Gasket, Balance Ring | S09943 |
| 115 | Ring, Balance | S13655 |
| 800A | Capscrew, 5/8 - 11 x 1-3/4" (20 Req.) | S27001 |
| 800B | Capscrew, 5/8 - 11 x 1-1/2" (12 Req.) | S26999 |
| 800C | Capscrew, 3/8 - 16 x 1-1/2" (4 Req.) | S26830 |
| 801 | Stud, 3/8 - 16 x 2-1/2" (2 Req.) | S04438 |
| 802 | Nut, Hex 3/8 - 16 (2 Req.) | S23343 |
| 805 | Washer, Lock | S23038 |
| 810 | Plug, Pipe 1/2 NPT (4 Req.) | S23717 |
| 811 | Fitting, Grease | S23700 |
| 812 | Elbow, Street | S25421 |

TABLE II

| HP | PH | Bracket No. | "AK" Fit | "U" Dim. | Motor Frame |
|-----|----|-------------|----------|----------|-------------|
| 60 | 3 | H03622 | 12-1/2" | 1-5/8" | 364JP |
| 75 | 3 | H03622 | 12-1/2" | 1-5/8" | 365JP |
| 100 | 3 | H03622 | 12-1/2" | 1-5/8" | 404TC |

NOTE: For an explanation of the tabulated material found on this page and for impeller key location, refer to *Supplement A* located at the beginning of this section.



TYPE "B" SINGLE STAGE CENTRIFUGAL PUMP Electric Motor Drive

| | |
|--------------------|------------------|
| Section | CC |
| Page | 290.2.1 |
| Date | November 2, 2009 |
| Supersedes 12/1/05 | |

CAST IRON IMPELLER

B4EYPBM

Flanged Case

Packing Construction

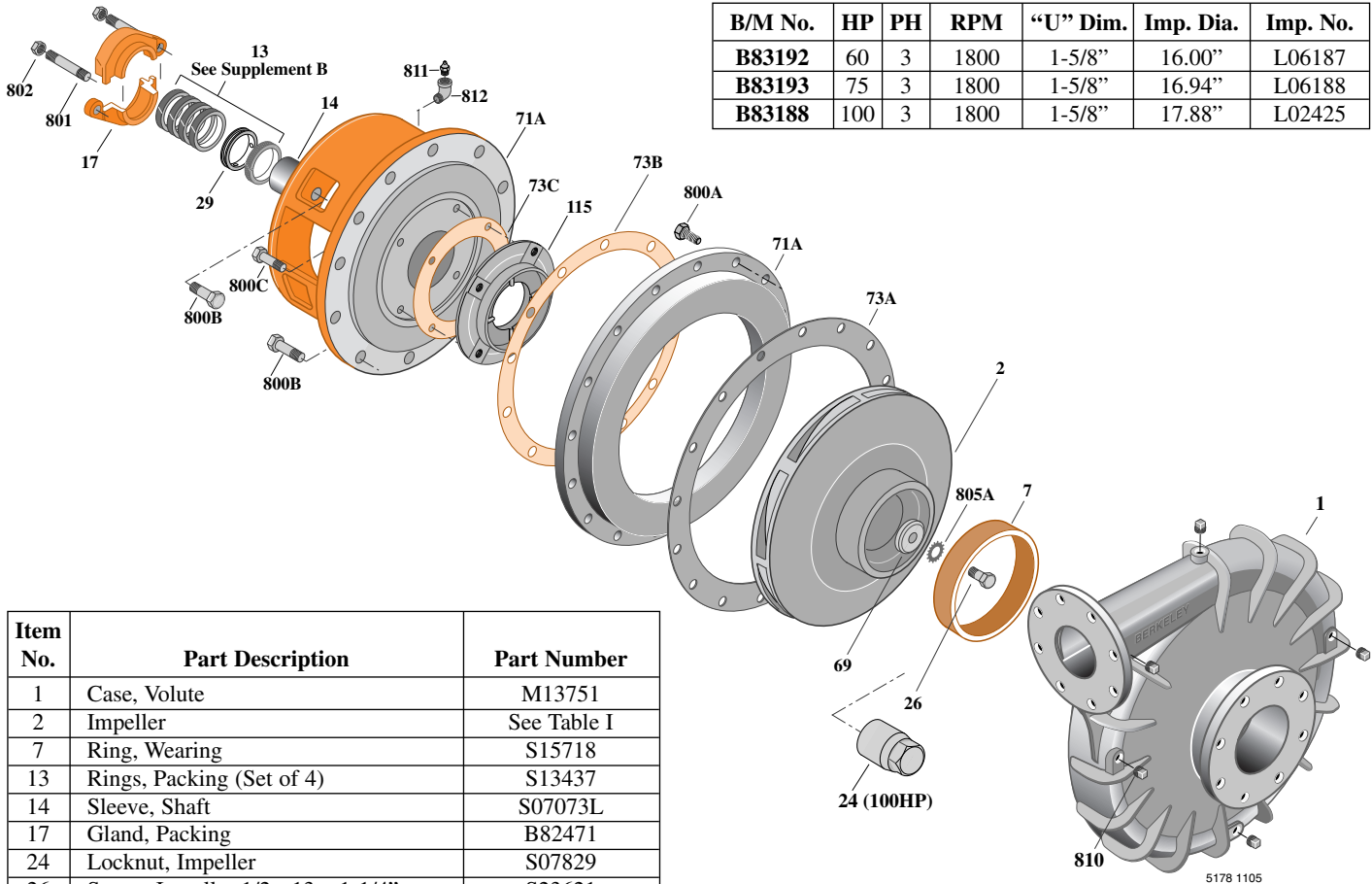


TABLE I

| B/M No. | HP | PH | RPM | "U" Dim. | Imp. Dia. | Imp. No. |
|---------------|-----|----|------|----------|-----------|----------|
| B83192 | 60 | 3 | 1800 | 1-5/8" | 16.00" | L06187 |
| B83193 | 75 | 3 | 1800 | 1-5/8" | 16.94" | L06188 |
| B83188 | 100 | 3 | 1800 | 1-5/8" | 17.88" | L02425 |

| Item No. | Part Description | Part Number |
|----------|---------------------------------------|--------------|
| 1 | Case, Volute | M13751 |
| 2 | Impeller | See Table I |
| 7 | Ring, Wearing | S15718 |
| 13 | Rings, Packing (Set of 4) | S13437 |
| 14 | Sleeve, Shaft | S07073L |
| 17 | Gland, Packing | B82471 |
| 24 | Locknut, Impeller | S07829 |
| 26 | Screw, Impeller 1/2 - 13 x 1-1/4" | S23621 |
| 29 | Ring, Lantern | S19198 |
| 32 | Key, 3/8 x 2-1/4" (See Note) | S23940 |
| 69 | Washer, Impeller | S34492 |
| 71A | Ring, Adapter | M13753 |
| 71B | Bracket | See Table II |
| 73A | Gasket, Suction Cover | S06401 |
| 73B | Gasket, Volute | S06271 |
| 73C | Gasket, Balance Ring | S09943 |
| 115 | Ring, Balance | S13655 |
| 800A | Capscrew, 5/8 - 11 x 1-3/4" (20 Req.) | S27001 |
| 800B | Capscrew, 5/8 - 11 x 1-1/2" (12 Req.) | S26999 |
| 800C | Capscrew, 3/8 - 16 x 1-1/2" (4 Req.) | S26830 |
| 801 | Stud, 3/8 - 16 x 2-1/2" (2 Req.) | S04438 |
| 802 | Nut, Hex 3/8 - 16 (2 Req.) | S23343 |
| 805 | Washer, Lock | S23038 |
| 810 | Plug, Pipe 1/2 NPT (4 Req.) | S23717 |
| 811 | Fitting, Grease | S23700 |
| 812 | Elbow, Street | S25421 |

TABLE II

| HP | PH | Bracket No. | "AK" Fit | "U" Dim. | Motor Frame |
|-----|----|-------------|----------|----------|-------------|
| 60 | 3 | H03622 | 12-1/2" | 1-5/8" | 364JP |
| 75 | 3 | H03622 | 12-1/2" | 1-5/8" | 365JP |
| 100 | 3 | H03622 | 12-1/2" | 1-5/8" | 404TC |

NOTE: For an explanation of the tabulated material found on this page and for impeller key location, refer to *Supplement A* located at the beginning of this section.



TYPE "B" SINGLE STAGE CENTRIFUGAL PUMP Electric Motor Drive

| | |
|-------------------|-----------------|
| Section | CC |
| Page | 290.3 |
| Date | January 1, 2004 |
| Supersedes 6/1/95 | |

CAST IRON IMPELLER

B4EYPBMS

Flanged Case

Mechanical Shaft Seal Construction

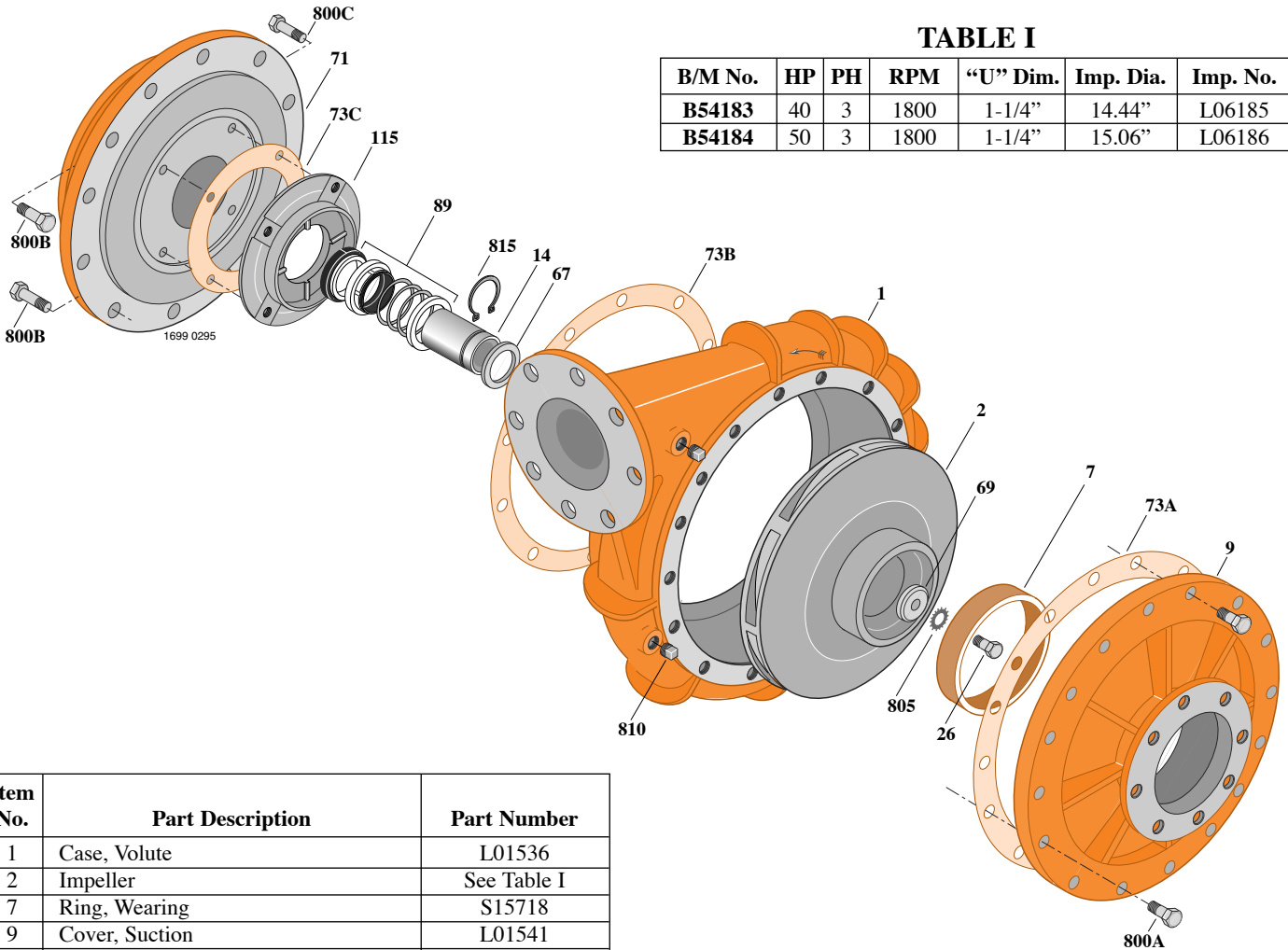


TABLE I

| B/M No. | HP | PH | RPM | "U" Dim. | Imp. Dia. | Imp. No. |
|---------------|----|----|------|----------|-----------|----------|
| B54183 | 40 | 3 | 1800 | 1-1/4" | 14.44" | L06185 |
| B54184 | 50 | 3 | 1800 | 1-1/4" | 15.06" | L06186 |

| Item No. | Part Description | Part Number |
|----------|---------------------------------------|--------------|
| 1 | Case, Volute | L01536 |
| 2 | Impeller | See Table I |
| 7 | Ring, Wearing | S15718 |
| 9 | Cover, Suction | L01541 |
| 14 | Sleeve, Shaft | S18869 |
| 26 | Screw, Impeller 1/2 - 13 x 1-1/4" | S23621 |
| 32 | Key, 1/4 x 2-1/4" (See Note) | S23677 |
| 67 | Ring, Spacer | S19349 |
| 69 | Washer, Impeller | S06319 |
| 71 | Bracket | See Table II |
| 73A | Gasket, Suction Cover | S06401 |
| 73B | Gasket, Volute Case | S06271 |
| 73C | Gasket, Balance Ring | S09943 |
| 89 | Seal, Mechanical Shaft | S32015 |
| 115 | Ring, Balance | S19036 |
| 800A | Capscrew, 5/8 - 11 x 1-3/4" (16 Req.) | S27001 |
| 800B | Capscrew, 5/8 - 11 x 1-1/2" (16 Req.) | S26999 |
| 800C | Capscrew, 3/8 - 16 x 1" (4 Req.) | S26826 |
| 805 | Washer, Lock | S23038 |
| 810 | Plug, Pipe 1/2 NPT (4 Req.) | S23717 |
| 815 | Ring, Retaining | S16767 |

TABLE II

| HP | PH | Bracket No. | "AK" Fit | "U" Dim. | Motor Frame |
|----|----|-------------|----------|----------|-------------|
| 40 | 3 | H03301 | 12-1/2" | 1-1/4" | 324JM |
| 50 | 3 | H03301 | 12-1/2" | 1-1/4" | 326JM |

NOTE: For an explanation of the tabulated material found on this page and for impeller key location, refer to *Supplement A* located at the beginning of this section.



TYPE "B" SINGLE STAGE CENTRIFUGAL PUMP Electric Motor Drive

| | |
|--------------------|------------------|
| Section | CC |
| Page | 290.3.1 |
| Date | November 2, 2009 |
| Supersedes 12/1/05 | |

CAST IRON IMPELLER

B4EYPBMS

Flanged Case

Mechanical Shaft Seal Construction

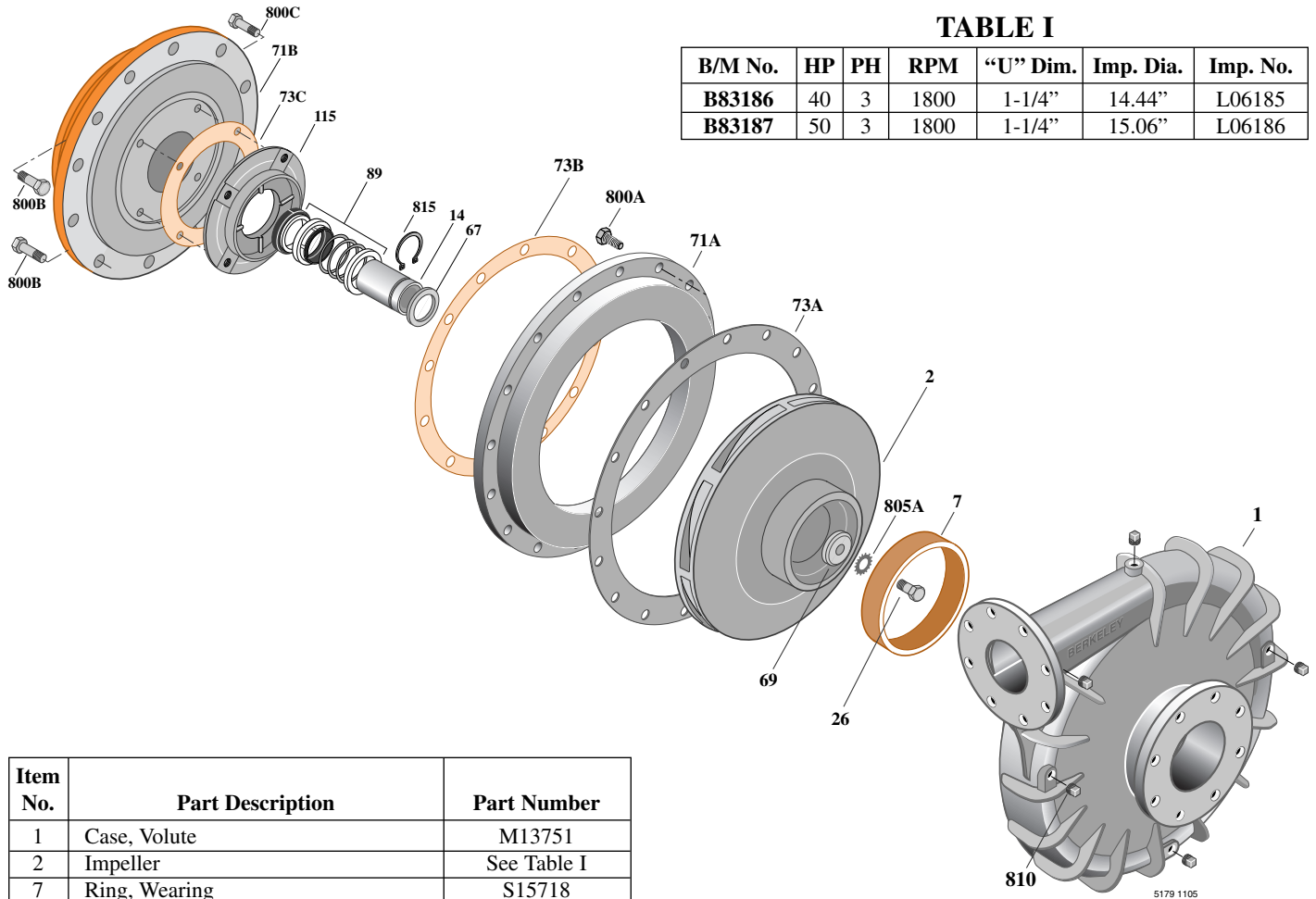


TABLE I

| B/M No. | HP | PH | RPM | "U" Dim. | Imp. Dia. | Imp. No. |
|---------|----|----|------|----------|-----------|----------|
| B83186 | 40 | 3 | 1800 | 1-1/4" | 14.44" | L06185 |
| B83187 | 50 | 3 | 1800 | 1-1/4" | 15.06" | L06186 |

| Item No. | Part Description | Part Number |
|----------|---------------------------------------|--------------|
| 1 | Case, Volute | M13751 |
| 2 | Impeller | See Table I |
| 7 | Ring, Wearing | S15718 |
| 14 | Sleeve, Shaft | S18869L |
| 26 | Screw, Impeller 1/2 - 13 x 1-1/4" | S23621 |
| 32 | Key, 1/4 x 2-1/4" (See Note) | S23677 |
| 67 | Ring, Spacer | S19349 |
| 69 | Washer, Impeller | S06319 |
| 71A | Ring, Adapter | M13753 |
| 71B | Bracket | See Table II |
| 73A | Gasket, Suction Cover | S06401 |
| 73B | Gasket, Volute Case | S06271 |
| 73C | Gasket, Balance Ring | S09943 |
| 89 | Seal, Mechanical Shaft | S32015 |
| 115 | Ring, Balance | S19036 |
| 800A | Capscrew, 5/8 - 11 x 1-3/4" (16 Req.) | S27001 |
| 800B | Capscrew, 5/8 - 11 x 1-1/2" (16 Req.) | S26999 |
| 800C | Capscrew, 3/8 - 16 x 1" (4 Req.) | S26826 |
| 805 | Washer, Lock | S23038 |
| 810 | Plug, Pipe 1/2 NPT (4 Req.) | S23717 |
| 815 | Ring, Retaining | S16767 |

TABLE II

| HP | PH | Bracket No. | "AK" Fit | "U" Dim. | Motor Frame |
|----|----|-------------|----------|----------|-------------|
| 40 | 3 | H03301 | 12-1/2" | 1-1/4" | 324JM |
| 50 | 3 | H03301 | 12-1/2" | 1-1/4" | 326JM |

NOTE: For an explanation of the tabulated material found on this page and for impeller key location, refer to *Supplement A* located at the beginning of this section.



TYPE "B" SINGLE STAGE CENTRIFUGAL PUMP Electric Motor Drive

| | |
|-------------------|-----------------|
| Section | CC |
| Page | 290.4 |
| Date | January 1, 2004 |
| Supersedes 6/1/95 | |

CAST IRON IMPELLER

B4EYPBMS

Flanged Case

Mechanical Shaft Seal Construction

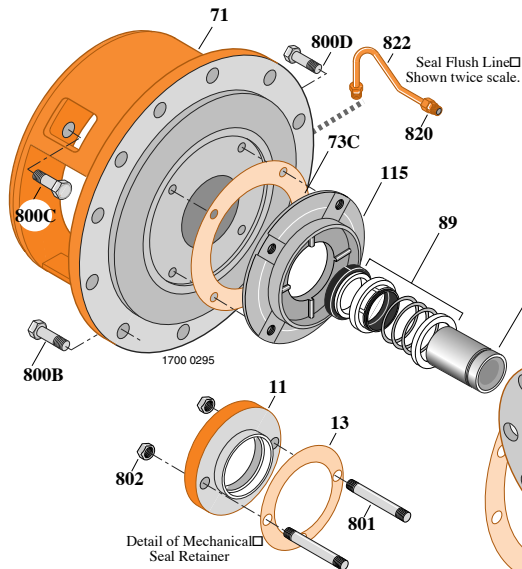
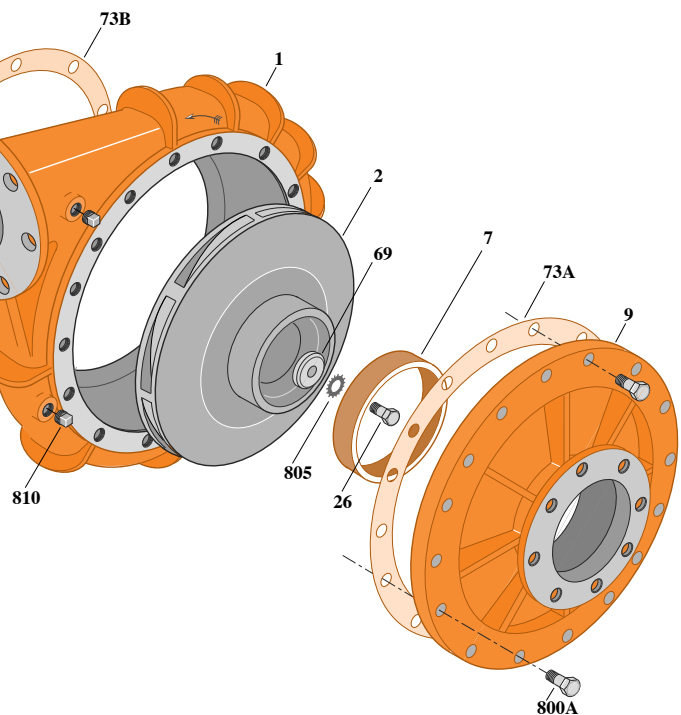


TABLE I

| B/M No. | HP | PH | RPM | "U" Dim. | Imp. Dia. | Imp. No. |
|---------|-----|----|------|----------|-----------|----------|
| B62039 | 60 | 3 | 1800 | 1-5/8" | 16.00" | L06187 |
| B62041 | 75 | 3 | 1800 | 1-5/8" | 16.94" | L06188 |
| B62043 | 100 | 3 | 1800 | 1-5/8" | 17.88" | L02425 |



| Item No. | Part Description | Part Number |
|----------|---------------------------------------|--------------|
| 1 | Case, Volute | L01536 |
| 2 | Impeller | See Table I |
| 7 | Ring, Wearing | S15718 |
| 9 | Cover, Suction | L01541 |
| 11 | Retainer, Mechanical Shaft Seal | S15377 |
| 14 | Sleeve, Shaft | S07073 |
| 26 | Screw, Impeller 1/2 - 13 x 1-1/4" | S23621 |
| 32 | Key, 1/4 x 2-1/4" (See Note) | S23677 |
| 69 | Washer, Impeller (60-75 HP) | S34492 |
| 69 | Washer, Impeller (100 HP) | S07829 |
| 71 | Bracket | See Table II |
| 73A | Gasket, Suction Cover | S06401 |
| 73B | Gasket, Volute Case | S06271 |
| 73C | Gasket, Balance Ring | S09943 |
| 73D | Gasket, Seal Retainer | S15078 |
| 89 | Seal, Mechanical Shaft | S32016 |
| 115 | Ring, Balance | S13655 |
| 800A | Capscrew, 5/8 - 11 x 1-3/4" (20 Req.) | S27001 |
| 800B | Capscrew, 5/8 - 11 x 1-1/2" (12 Req.) | S26999 |
| 800C | Capscrew, 3/8 - 16 x 1-1/2" (4 Req.) | S26830 |
| 801 | Stud, 3/8 - 16 x 2-1/2" (2 Req.) | S04438 |
| 802 | Nut, 3/8 - 16 (2 Req.) | S23343 |
| 805 | Washer, Lock (Not On 100 HP) | S23038 |
| 810 | Plug, Pipe 1/2 NPT (4 Req.) | S23717 |
| 820 | Connector, Comp. Fitting (2 Req.) | S24013 |
| 822 | Tubing, Copper | S20677 |
| • | Plug, Pipe 1/8 NPT (Not Illustrated) | S23714 |
| • | Plug, Pipe 1/4 NPT (Not Illustrated) | S23715 |

TABLE II

| HP | PH | Bracket No. | "AK" Fit | "U" Dim. | Motor Frame |
|-----|----|-------------|----------|----------|-------------|
| 60 | 3 | H03936 | 12-1/2" | 1-5/8" | 364JP |
| 75 | 3 | H03936 | 12-1/2" | 1-5/8" | 365JP |
| 100 | 3 | H03936 | 12-1/2" | 1-5/8" | 404TC |

NOTE: For an explanation of the tabulated material found on this page and for impeller key location, refer to *Supplement A* located at the beginning of this section.



TYPE "B" SINGLE STAGE CENTRIFUGAL PUMP Electric Motor Drive

| | |
|--------------------|------------------|
| Section | CC |
| Page | 290.4.1 |
| Date | November 2, 2009 |
| Supersedes 12/1/05 | |

CAST IRON IMPELLER

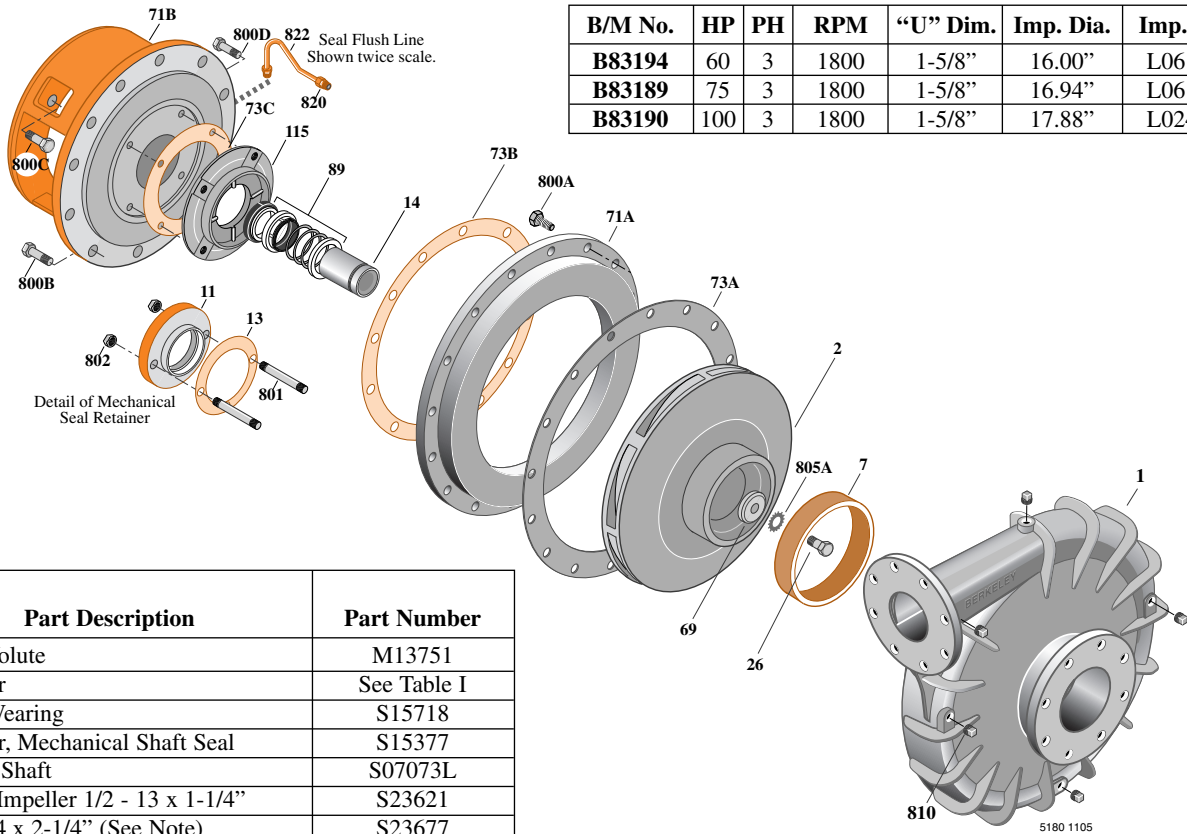
B4EYPBMS

Flanged Case

Mechanical Shaft Seal Construction

TABLE I

| B/M No. | HP | PH | RPM | "U" Dim. | Imp. Dia. | Imp. No. |
|---------|-----|----|------|----------|-----------|----------|
| B83194 | 60 | 3 | 1800 | 1-5/8" | 16.00" | L06187 |
| B83189 | 75 | 3 | 1800 | 1-5/8" | 16.94" | L06188 |
| B83190 | 100 | 3 | 1800 | 1-5/8" | 17.88" | L02425 |



| Item No. | Part Description | Part Number |
|----------|--|--------------|
| 1 | Case, Volute | M13751 |
| 2 | Impeller | See Table I |
| 7 | Ring, Wearing | S15718 |
| 11 | Retainer, Mechanical Shaft Seal | S15377 |
| 14 | Sleeve, Shaft | S07073L |
| 26 | Screw, Impeller 1/2 - 13 x 1-1/4" | S23621 |
| 32 | Key, 1/4 x 2-1/4" (See Note) | S23677 |
| 69 | Washer, Impeller (60-75 HP) | S34492 |
| 69 | Washer, Impeller (100 HP) | S07829 |
| 71A | Ring, Adapter | M13753 |
| 71B | Bracket | See Table II |
| 73A | Gasket, Suction Cover | S06401 |
| 73B | Gasket, Volute Case | S06271 |
| 73C | Gasket, Balance Ring | S09943 |
| 73D | Gasket, Seal Retainer | S15078 |
| 89 | Seal, Mechanical Shaft | S32016 |
| 115 | Ring, Balance | S13655 |
| 800A | Cap screw, 5/8 - 11 x 1-3/4" (20 Req.) | S27001 |
| 800B | Cap screw, 5/8 - 11 x 1-1/2" (12 Req.) | S26999 |
| 800C | Cap screw, 3/8 - 16 x 1-1/2" (4 Req.) | S26830 |
| 801 | Stud, 3/8 - 16 x 2-1/2" (2 Req.) | S04438 |
| 802 | Nut, 3/8 - 16 (2 Req.) | S23343 |
| 805 | Washer, Lock (Not On 100 HP) | S23038 |
| 810 | Plug, Pipe 1/2 NPT (4 Req.) | S23717 |
| 820 | Connector, Comp. Fitting (2 Req.) | S24013 |
| 822 | Tubing, Copper | S20677 |
| • | Plug, Pipe 1/8 NPT (Not Illustrated) | S23714 |
| • | Plug, Pipe 1/4 NPT (Not Illustrated) | S23715 |

TABLE II

| HP | PH | Bracket No. | "AK" Fit | "U" Dim. | Motor Frame |
|-----|----|-------------|----------|----------|-------------|
| 60 | 3 | H03936 | 12-1/2" | 1-5/8" | 364JP |
| 75 | 3 | H03936 | 12-1/2" | 1-5/8" | 365JP |
| 100 | 3 | H03936 | 12-1/2" | 1-5/8" | 404TC |

NOTE: For an explanation of the tabulated material found on this page and for impeller key location, refer to *Supplement A* located at the beginning of this section.



TYPE "B" SINGLE STAGE CENTRIFUGAL PUMP Electric Motor Drive

| | |
|-------------------|-----------------|
| Section | CC |
| Page | 300.1 |
| Date | January 1, 2004 |
| Supersedes 6/1/95 | |

CAST IRON IMPELLER

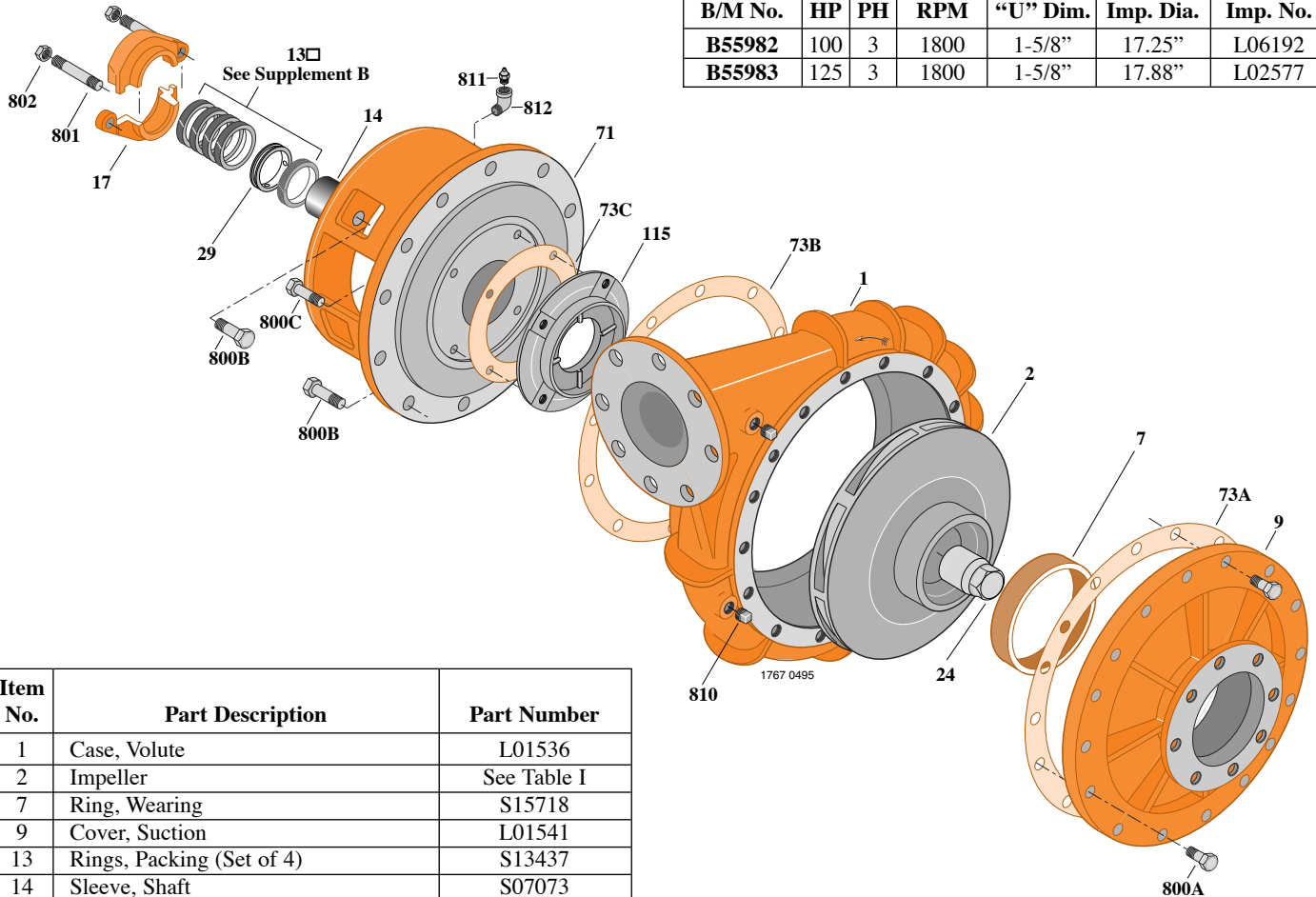
B4EYPBH

Flanged Case

Packing Construction

TABLE I

| B/M No. | HP | PH | RPM | "U" Dim. | Imp. Dia. | Imp. No. |
|---------|-----|----|------|----------|-----------|----------|
| B55982 | 100 | 3 | 1800 | 1-5/8" | 17.25" | L06192 |
| B55983 | 125 | 3 | 1800 | 1-5/8" | 17.88" | L02577 |



| Item No. | Part Description | Part Number |
|----------|---------------------------------------|--------------|
| 1 | Case, Volute | L01536 |
| 2 | Impeller | See Table I |
| 7 | Ring, Wearing | S15718 |
| 9 | Cover, Suction | L01541 |
| 13 | Rings, Packing (Set of 4) | S13437 |
| 14 | Sleeve, Shaft | S07073 |
| 17 | Gland, Packing | B82471 |
| 24 | Locknut, Impeller | S07829 |
| 29 | Ring, Lantern | S19198 |
| 32 | Key, 1/4 x 2-1/4" (See Note) | S23677 |
| 71 | Bracket | See Table II |
| 73A | Gasket, Suction Cover | S06401 |
| 73B | Gasket, Volute | S06271 |
| 73C | Gasket, Balance Ring | S09943 |
| 115 | Ring, Balance | S13655 |
| 800A | Capscrew, 5/8 - 11 x 1-3/4" (20 Req.) | S27001 |
| 800B | Capscrew, 5/8 - 11 x 1-1/2" (12 Req.) | S26999 |
| 800C | Capscrew, 3/8 - 16 x 1-1/2" (4 Req.) | S26830 |
| 801 | Stud, 3/8 - 16 x 2-1/2" (2 Req.) | S04438 |
| 802 | Nut, Hex 3/8 - 16 (2 Req.) | S23343 |
| 810 | Plug, Pipe 1/2 NPT (4 Req.) | S23717 |
| 811 | Fitting, Grease | S23700 |
| 812 | Elbow, Street | S25421 |

TABLE II

| HP | PH | Bracket No. | "AK" Fit | "U" Dim. | Motor Frame |
|-----|----|-------------|----------|----------|-------------|
| 100 | 3 | H03622 | 12-1/2" | 1-5/8" | 404TC |
| 125 | 3 | H03622 | 12-1/2" | 1-5/8" | 405TC |

NOTE: For an explanation of the tabulated material found on this page and for impeller key location, refer to *Supplement A* located at the beginning of this section.



TYPE "B" SINGLE STAGE CENTRIFUGAL PUMP Electric Motor Drive

| | |
|--------------------|------------------|
| Section | CC |
| Page | 300.1.1 |
| Date | November 2, 2009 |
| Supersedes 12/1/05 | |

CAST IRON IMPELLER

B4EYPBH

Flanged Case

Packing Construction

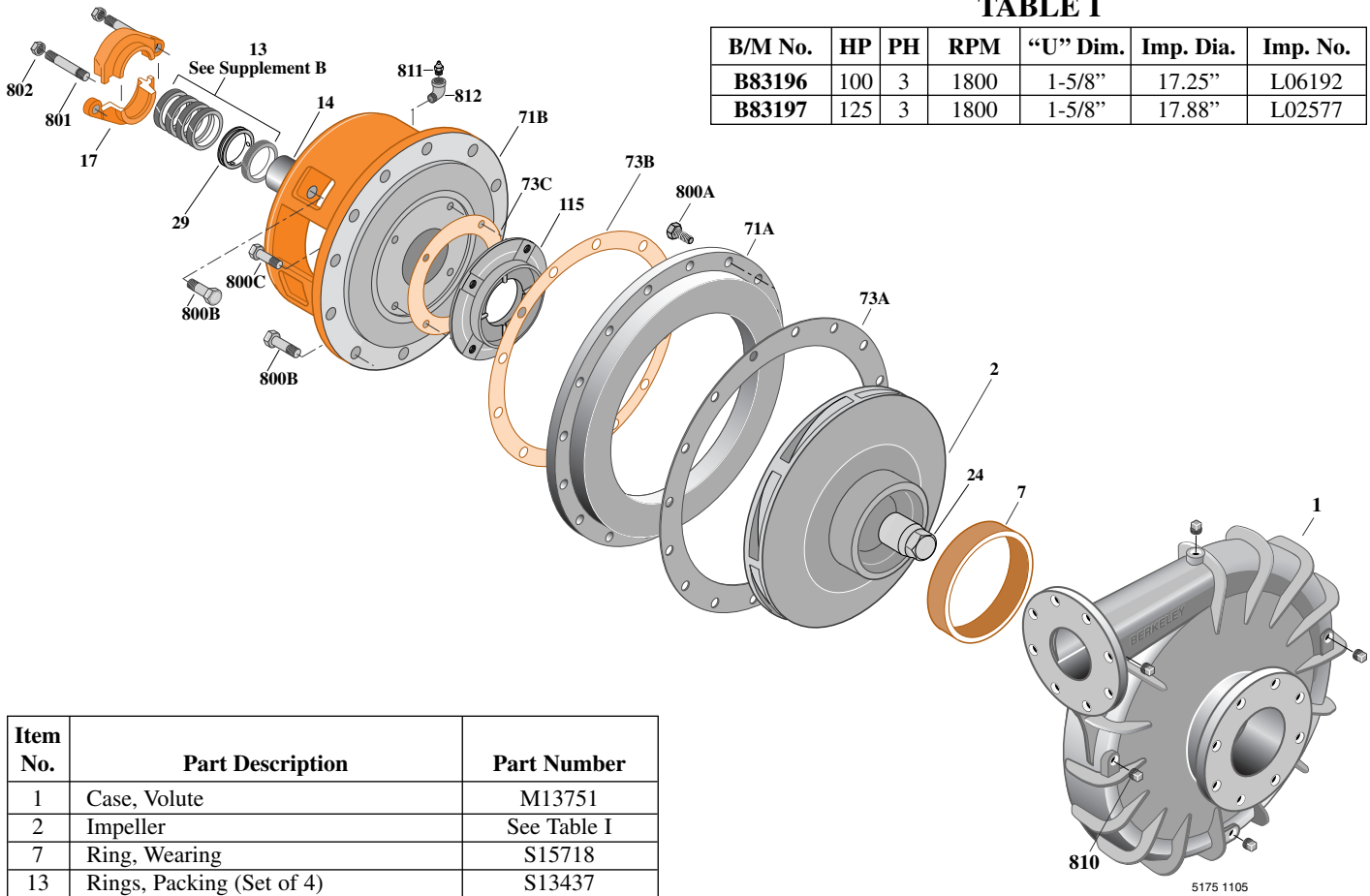


TABLE I

| B/M No. | HP | PH | RPM | "U" Dim. | Imp. Dia. | Imp. No. |
|---------|-----|----|------|----------|-----------|----------|
| B83196 | 100 | 3 | 1800 | 1-5/8" | 17.25" | L06192 |
| B83197 | 125 | 3 | 1800 | 1-5/8" | 17.88" | L02577 |

| Item No. | Part Description | Part Number |
|----------|---------------------------------------|--------------|
| 1 | Case, Volute | M13751 |
| 2 | Impeller | See Table I |
| 7 | Ring, Wearing | S15718 |
| 13 | Rings, Packing (Set of 4) | S13437 |
| 14 | Sleeve, Shaft | S07073L |
| 17 | Gland, Packing | B82471 |
| 24 | Locknut, Impeller | S07829 |
| 29 | Ring, Lantern | S19198 |
| 32 | Key, 1/4 x 2-1/4" (See Note) | S23677 |
| 71A | Ring, Adapter | M13753 |
| 71B | Bracket | See Table II |
| 73A | Gasket, Suction Cover | S06401 |
| 73B | Gasket, Volute | S06271 |
| 73C | Gasket, Balance Ring | S09943 |
| 115 | Ring, Balance | S13655 |
| 800A | Capscrew, 5/8 - 11 x 1-3/4" (20 Req.) | S27001 |
| 800B | Capscrew, 5/8 - 11 x 1-1/2" (12 Req.) | S26999 |
| 800C | Capscrew, 3/8 - 16 x 1-1/2" (4 Req.) | S26830 |
| 801 | Stud, 3/8 - 16 x 2-1/2" (2 Req.) | S04438 |
| 802 | Nut, Hex 3/8 - 16 (2 Req.) | S23343 |
| 810 | Plug, Pipe 1/2 NPT (4 Req.) | S23717 |
| 811 | Fitting, Grease | S23700 |
| 812 | Elbow, Street | S25421 |

TABLE II

| HP | PH | Bracket No. | "AK" Fit | "U" Dim. | Motor Frame |
|-----|----|-------------|----------|----------|-------------|
| 100 | 3 | H03622 | 12-1/2" | 1-5/8" | 404TC |
| 125 | 3 | H03622 | 12-1/2" | 1-5/8" | 405TC |

NOTE: For an explanation of the tabulated material found on this page and for impeller key location, refer to *Supplement A* located at the beginning of this section.



Type "B" Single Stage Centrifugal Pump Electric Motor Drive

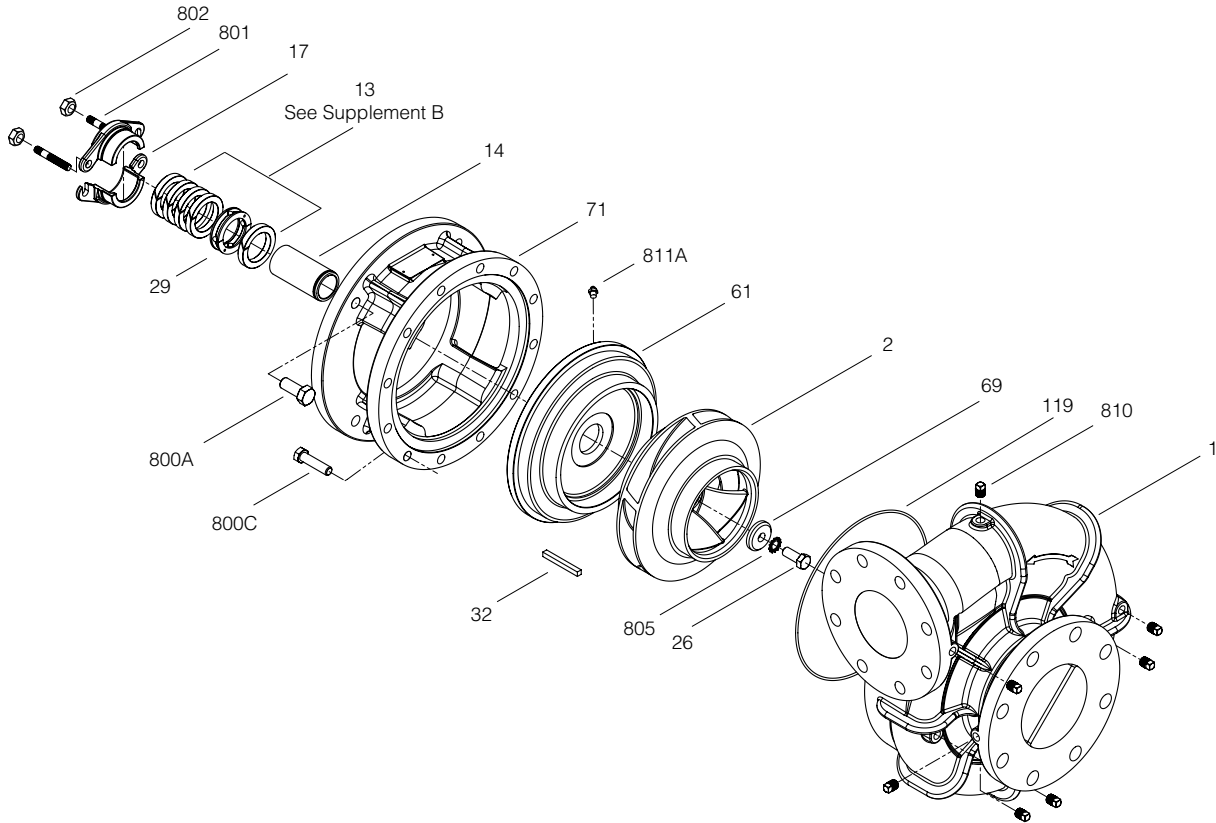
| | |
|----------------------|---------------|
| Section | CC |
| Page | 307.1 |
| Date | March 1, 2012 |
| Supersedes 8/17/2010 | |

CAST IRON IMPELLER

B5ZPBH

Flanged Case

Packing Construction



| Item No. | Part Description | Part Number |
|----------|--|--------------|
| 1 | Case, Volute | M15049 |
| 2 | Impeller | See Table I |
| 13 | Ring, Packing (Set of 4) | S13435 |
| 14 | Sleeve, Shaft (Note 2) | B85741 |
| 17 | Gland, Packing | B82740 |
| 26 | Screw, Impeller | S23621 |
| 29 | Ring, Lantern | S19200 |
| 32 | Key, 1/4" X 2-1/4" | S23677 |
| 61 | Plate, Seal | M15047 |
| 69 | Washer, Impeller | S06319 |
| 71 | Bracket | See Table II |
| 119 | O-Ring | M15099 |
| 800A | Screw, 1/2-13NC X 1-1/2" LG CRS (4 rqd) | S26916 |
| 800C | Screw, 1/2-13NC X 2" LG CRS (12 rqd) | S26920 |
| 801 | Stud, 3/8-16NC X 2-1/2" LG 416SS (2 rqd) | S04438 |
| 802 | Nut, Hex, Lock 3/8-16 SS (2 rqd) | M13771 |
| 805 | Washer, Lock | S23038 |
| 810 | Plug, Pipe | S23715 |
| 811A | Fitting, Grease | S23700 |

Table I

| B/M No. | HP | PH | RPM | Imp. Dia. | Imp. No. |
|---------|----|----|------|-----------|----------|
| B86081 | 30 | 3 | 1800 | 9.50 | M15052 |
| B85695 | 25 | 3 | 1800 | 9.50 | M15052 |
| B85697 | 20 | 3 | 1800 | 8.88 | M15322 |
| B85699 | 15 | 3 | 1800 | 8.19 | M15323 |
| B85701 | 10 | 3 | 1800 | 7.19 | M15324 |

Table II

| HP | PH | Bracket No. | "AK" Dim. | "U" Dim. | Motor Frame |
|----|----|-------------|-----------|----------|-------------|
| 30 | 3 | M15045 | 12.50 | 1.25 | 286JP |
| 25 | 3 | M15045 | 12.50 | 1.25 | 284JP |
| 20 | 3 | M15044 | 8.50 | 1.25 | 256JP |
| 15 | 3 | M15044 | 8.50 | 1.25 | 254JP |
| 10 | 3 | M15044 | 8.50 | 1.25 | 215JP |

NOTES

- 1 Impeller kit B85754 includes items 26, 32, 69, 119, 805
- 2 Shaft sleeve kit B85741 includes item 14, adhesive and instruction sheet



Type "B" Single Stage Centrifugal Pump Electric Motor Drive

| | |
|----------------------|---------------|
| Section | CC |
| Page | 307.2 |
| Date | March 1, 2012 |
| Supersedes 8/17/2010 | |

CAST IRON IMPELLER

B5ZPBHS

Flanged Case

Mechanical Shaft Seal Construction

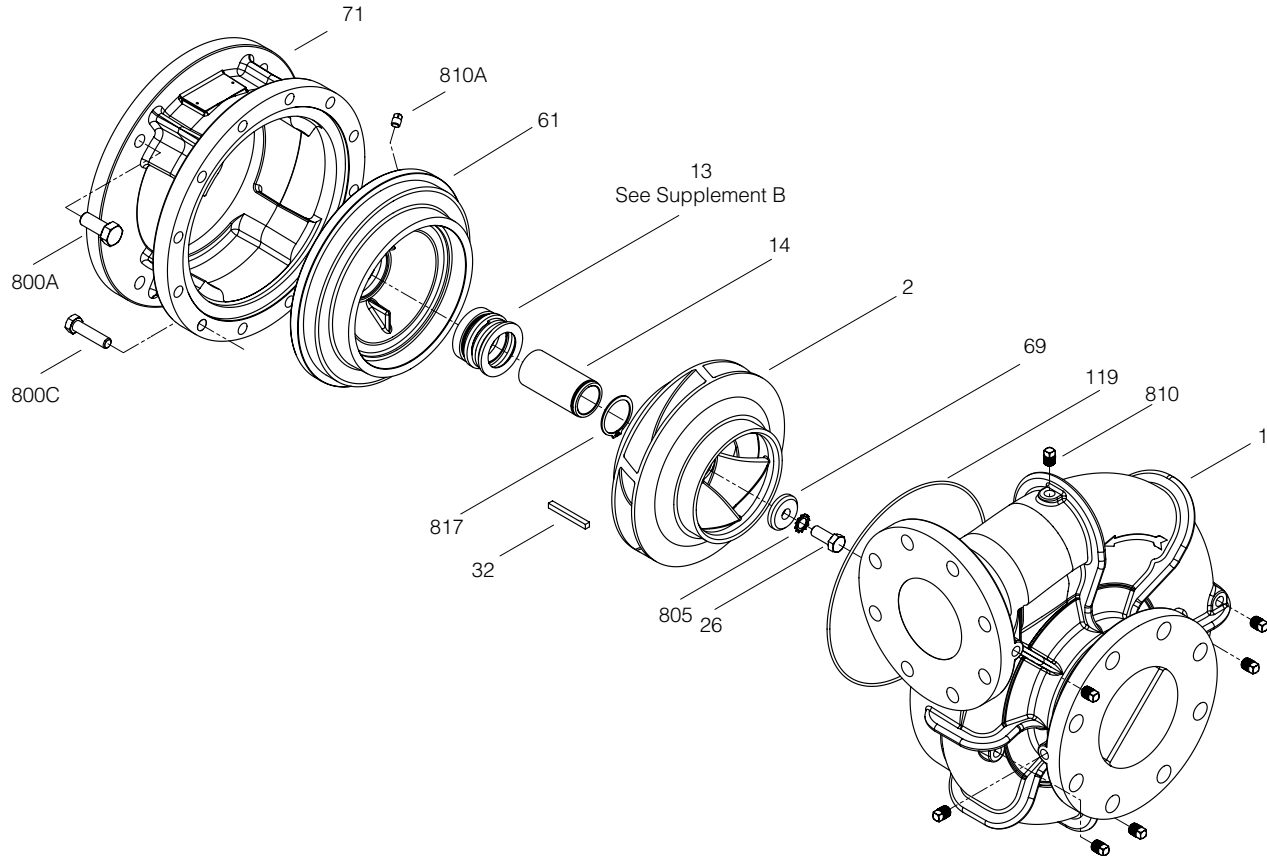


Table I

| B/M No. | HP | PH | RPM | Imp. Dia. | Imp. No. |
|---------|----|----|------|-----------|----------|
| B86082 | 30 | 3 | 1800 | 9.50 | M15052 |
| B85696 | 25 | 3 | 1800 | 9.50 | M15052 |
| B85698 | 20 | 3 | 1800 | 8.88 | M15322 |
| B85700 | 15 | 3 | 1800 | 8.19 | M15323 |
| B85702 | 10 | 3 | 1800 | 7.19 | M15324 |

Table II

| HP | PH | Bracket No. | "AK" Dim. | "U" Dim. | Motor Frame |
|----|----|-------------|-----------|----------|-------------|
| 30 | 3 | M15045 | 12.50 | 1.25 | 286JP |
| 25 | 3 | M15045 | 12.50 | 1.25 | 284JP |
| 20 | 3 | M15044 | 8.50 | 1.25 | 256JP |
| 15 | 3 | M15044 | 8.50 | 1.25 | 254JP |
| 10 | 3 | M15044 | 8.50 | 1.25 | 215JP |

| Item No. | Part Description | Part Number |
|----------|--|--------------|
| 1 | Case, Volute | M15049 |
| 2 | Impeller | See Table I |
| 13 | Seal, Shaft | S32015 |
| 14 | Sleeve, Shaft (Note 2) | B85741 |
| 26 | Screw, Impeller | S23621 |
| 32 | Key, Impeller | S23677 |
| 61 | Plate, Seal | M15046 |
| 69 | Washer, Impeller | S06319 |
| 71 | Bracket | See Table II |
| 119 | O-Ring | M15099 |
| 800A | Screw, 1/2-13NC X 1-1/2 LG CRS (4 rqd) | S26916 |
| 800C | Screw, 1/2-13NC X 2 LG CRS (12 rqd) | S26920 |
| 805 | Washer, Lock | S23038 |
| 810 | Plug, Pipe | S23715 |
| 810A | Plug, Pipe | U78-56ZPS |
| 817 | Ring, Retaining | S16767 |

NOTES

- 1 Impeller kit B85754 includes items 26, 32, 69, 119, 805
- 2 Shaft sleeve kit B85741 includes item 14, adhesive and instruction sheet



TYPE "B" SINGLE STAGE CENTRIFUGAL PUMP Electric Motor Drive

| | |
|-------------------|-----------------|
| Section | CC |
| Page | 310.1 |
| Date | January 1, 2004 |
| Supersedes 6/1/95 | |

CAST IRON IMPELLER

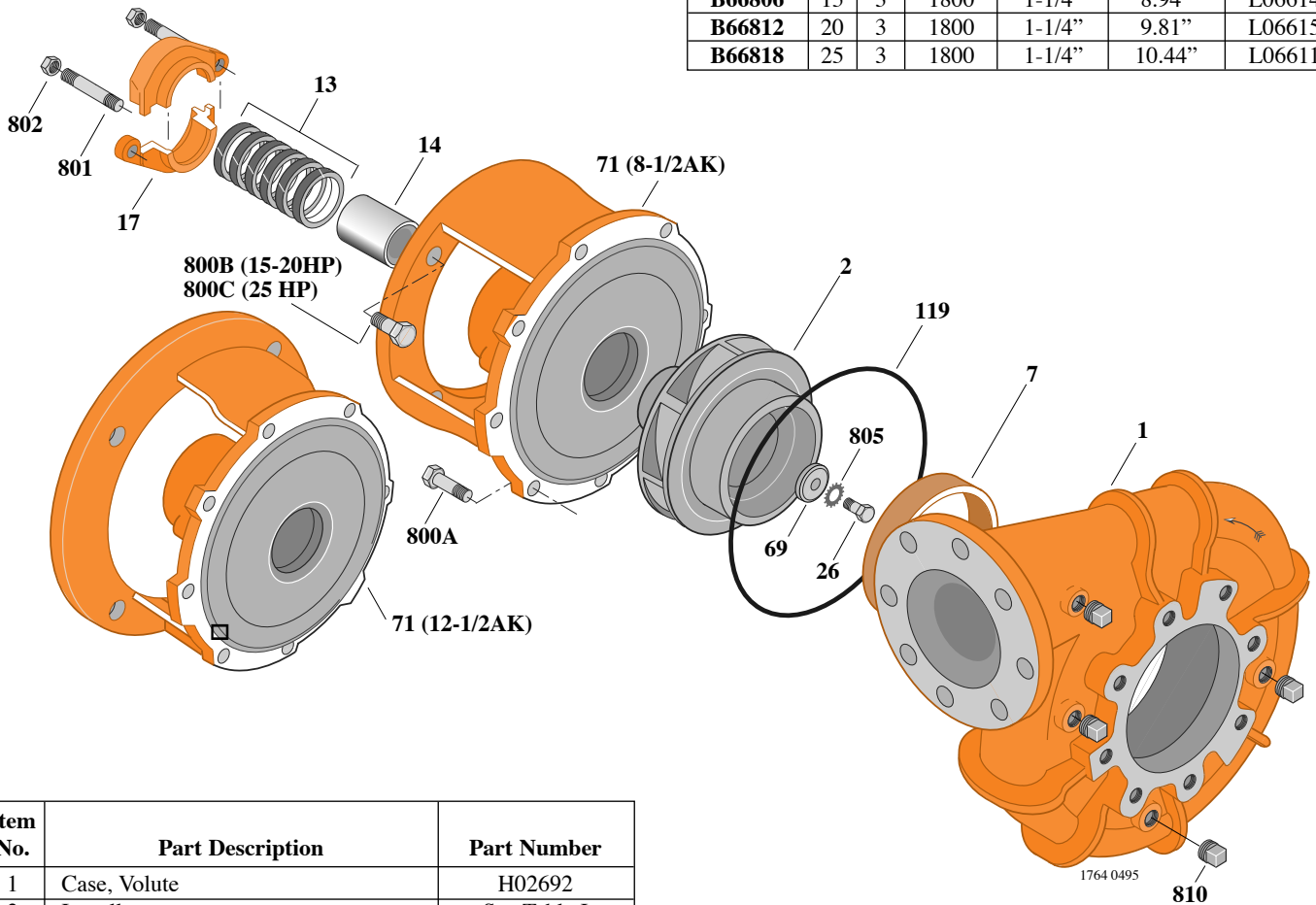
B5EPH

Flanged Case

Packing Construction

TABLE I

| B/M No. | HP | PH | RPM | "U" Dim. | Imp. Dia. | Imp. No. |
|---------|----|----|------|----------|-----------|----------|
| B66806 | 15 | 3 | 1800 | 1-1/4" | 8.94" | L06614 |
| B66812 | 20 | 3 | 1800 | 1-1/4" | 9.81" | L06615 |
| B66818 | 25 | 3 | 1800 | 1-1/4" | 10.44" | L06611 |



| Item No. | Part Description | Part Number |
|----------|--------------------------------------|--------------|
| 1 | Case, Volute | H02692 |
| 2 | Impeller | See Table I |
| 7 | Ring, Wearing | S15630 |
| 13 | Rings, Packing (Set of 6) | S13470 |
| 14 | Sleeve, Shaft | S05149 |
| 17 | Gland, Packing | B82470 |
| 26 | Screw, Impeller 1/2 - 13 x 1" | S23619 |
| 32 | Key, 1/4 x 2-1/4" (See Note) | S23677 |
| 69 | Washer, Impeller | S06319 |
| 71 | Bracket | See Table II |
| 119 | O-Ring | S13760 |
| 800A | Capscrew, 1/2 - 13 x 1-1/4" (8 Req.) | S26914 |
| 800B | Capscrew, 1/2 - 13 x 1-1/2" (4 Req.) | S26916 |
| 801 | Stud, 3/8 - 16 x 2-1/2" (2 Req.) | S04438 |
| 802 | Nut, Hex 3/8 - 16 (2 Req.) | S23343 |
| 805 | Washer, Lock | S23038 |
| 810 | Plug, Pipe 1/2 NPT (4 Req.) | S23717 |

TABLE II

| HP | PH | Bracket No. | "AK" Fit | "U" Dim. | Motor Frame |
|----|----|-------------|----------|----------|-------------|
| 15 | 3 | L03637 | 8-1/2" | 1-1/4" | 254JP |
| 20 | 3 | L03637 | 8-1/2" | 1-1/4" | 256JP |
| 25 | 3 | L03712 | 8-1/2" | 1-1/4" | 284JP |

NOTE: For an explanation of the tabulated material found on this page and for impeller key location, refer to *Supplement A* located at the beginning of this section.



TYPE "B" SINGLE STAGE CENTRIFUGAL PUMP Electric Motor Drive

| | |
|-------------------|-----------------|
| Section | CC |
| Page | 310.2 |
| Date | January 1, 2004 |
| Supersedes 6/1/95 | |

CAST IRON IMPELLER

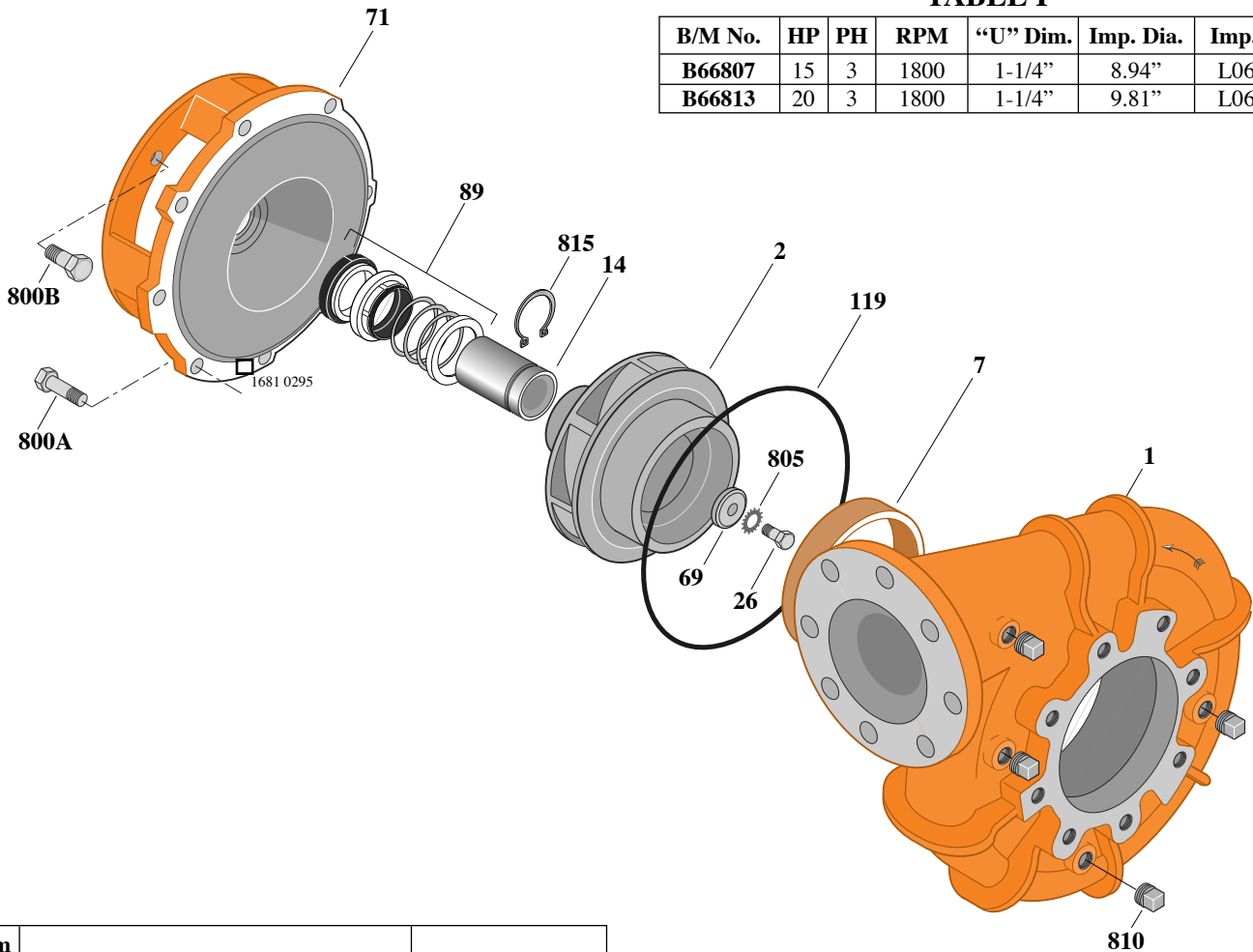
B5EPHS

Flanged Case

Mechanical Shaft Seal Construction

TABLE I

| B/M No. | HP | PH | RPM | "U" Dim. | Imp. Dia. | Imp. No. |
|---------|----|----|------|----------|-----------|----------|
| B66807 | 15 | 3 | 1800 | 1-1/4" | 8.94" | L06614 |
| B66813 | 20 | 3 | 1800 | 1-1/4" | 9.81" | L06615 |



| Item No. | Part Description | Part Number |
|----------|--------------------------------------|--------------|
| 1 | Case, Volute | H02692 |
| 2 | Impeller | See Table I |
| 7 | Ring, Wearing | S15630 |
| 14 | Sleeve, Shaft | S18869 |
| 26 | Screw, Impeller 1/2 - 13 x 1" | S23619 |
| 32 | Key, 1/4 x 2-1/4" (See Note) | S23677 |
| 69 | Washer, Impeller | S06319 |
| 71 | Bracket | See Table II |
| 89 | Seal, Mechanical Shaft | S32015 |
| 119 | O-Ring | S13760 |
| 800A | Capscrew, 1/2 - 13 x 1-1/4" (8 Req.) | S26914 |
| 800B | Capscrew, 1/2 - 13 x 1" (4 Req.) | S26912 |
| 805 | Washer, Lock | S23038 |
| 810 | Plug, Pipe 1/2 NPT (4 Req.) | S23717 |
| 815 | Ring, Retaining | S16767 |

TABLE II

| HP | PH | Bracket No. | "AK" Fit | "U" Dim. | Motor Frame |
|----|----|-------------|----------|----------|-------------|
| 15 | 3 | L04616 | 8-1/2" | 1-1/4" | 254JM |
| 20 | 3 | L04616 | 8-1/2" | 1-1/4" | 256JM |

NOTE: For an explanation of the tabulated material found on this page and for impeller key location, refer to *Supplement A* located at the beginning of this section.



TYPE "B" SINGLE STAGE CENTRIFUGAL PUMP Electric Motor Drive

| | |
|-------------------|-----------------|
| Section | CC |
| Page | 310.3 |
| Date | January 1, 2004 |
| Supersedes 6/1/95 | |

CAST IRON IMPELLER

B5EPHS

Flanged Case

Mechanical Shaft Seal Construction

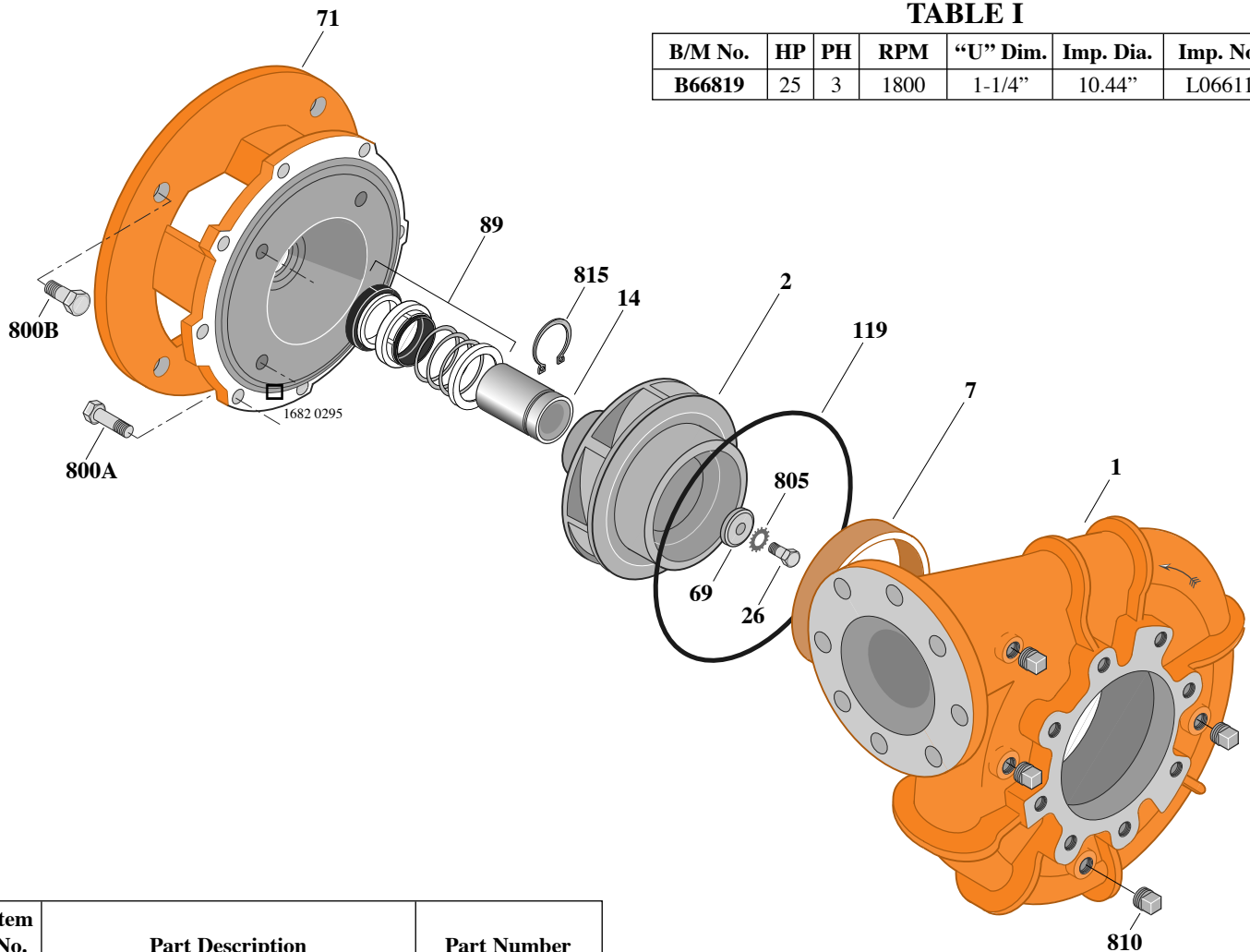


TABLE I

| B/M No. | HP | PH | RPM | "U" Dim. | Imp. Dia. | Imp. No. |
|---------------|----|----|------|----------|-----------|----------|
| B66819 | 25 | 3 | 1800 | 1-1/4" | 10.44" | L06611 |

| Item No. | Part Description | Part Number |
|----------|--------------------------------------|--------------|
| 1 | Case, Volute | H02692 |
| 2 | Impeller | See Table I |
| 7 | Ring, Wearing | S15630 |
| 14 | Sleeve, Shaft | S18869 |
| 26 | Screw, Impeller 1/2 - 13 x 1" | S23619 |
| 32 | Key, 1/4 x 2-1/4" (See Note) | S23677 |
| 69 | Washer, Impeller | S06319 |
| 71 | Bracket | See Table II |
| 89 | Seal, Mechanical Shaft | S32015 |
| 119 | O-Ring | S13760 |
| 800A | Capscrew, 1/2 - 13 x 1-1/4" (8 Req.) | S26914 |
| 800B | Capscrew, 5/8 - 11 x 1-1/2" (4 Req.) | S26999 |
| 805 | Washer, Lock | S23038 |
| 810 | Plug, Pipe 1/2 NPT (4 Req.) | S23717 |
| 815 | Ring, Retaining | S16767 |

TABLE II

| HP | PH | Bracket No. | "AK" Fit | "U" Dim. | Motor Frame |
|----|----|-------------|----------|----------|-------------|
| 25 | 3 | L05396 | 12-1/2" | 1-1/4" | 284JM |

NOTE: For an explanation of the tabulated material found on this page and for impeller key location, refer to *Supplement A* located at the beginning of this section.



TYPE "B" SINGLE STAGE CENTRIFUGAL PUMP Electric Motor Drive

| | |
|----------------|-----------------|
| Section | CC |
| Page | 310.4 |
| Date | January 1, 2004 |
| Supersedes/New | |

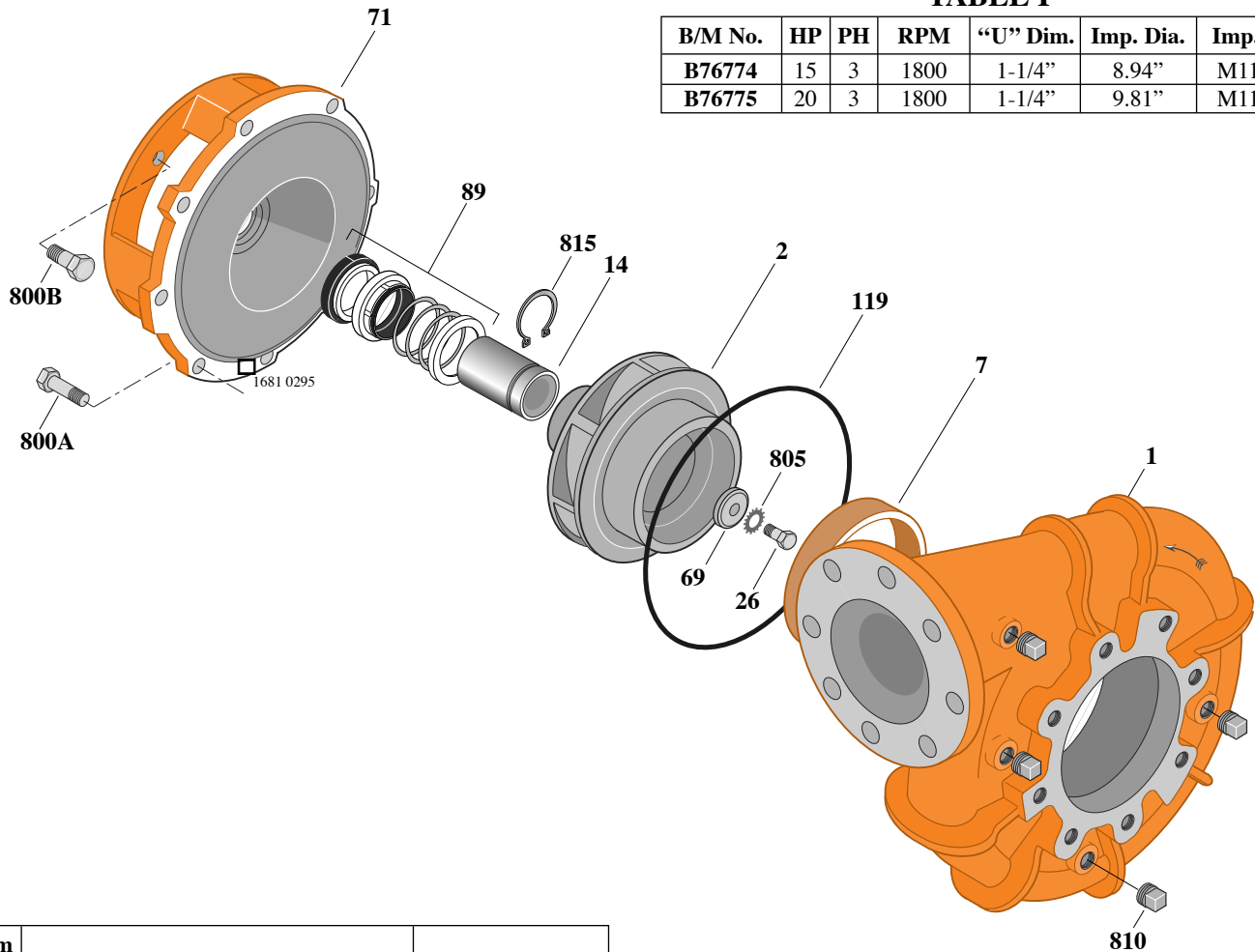
BRONZE IMPELLER B5EPHS

Flanged Case

Mechanical Shaft Seal Construction

TABLE I

| B/M No. | HP | PH | RPM | "U" Dim. | Imp. Dia. | Imp. No. |
|---------|----|----|------|----------|-----------|----------|
| B76774 | 15 | 3 | 1800 | 1-1/4" | 8.94" | M11563 |
| B76775 | 20 | 3 | 1800 | 1-1/4" | 9.81" | M11564 |



| Item No. | Part Description | Part Number |
|----------|--------------------------------------|--------------|
| 1 | Case, Volute | H02692 |
| 2 | Impeller | See Table I |
| 7 | Ring, Wearing | S15630 |
| 14 | Sleeve, Shaft | S18869 |
| 26 | Screw, Impeller 1/2 - 13 x 1" | S23619 |
| 32 | Key, 1/4 x 2-1/4" (See Note) | S23677 |
| 69 | Washer, Impeller | S06319 |
| 71 | Bracket | See Table II |
| 89 | Seal, Mechanical Shaft | S32015 |
| 119 | O-Ring | S13760 |
| 800A | Capscrew, 1/2 - 13 x 1-1/4" (8 Req.) | S26914 |
| 800B | Capscrew, 1/2 - 13 x 1" (4 Req.) | S26912 |
| 805 | Washer, Lock | S23038 |
| 810 | Plug, Pipe 1/2 NPT (4 Req.) | S23717 |
| 815 | Ring, Retaining | S16767 |

TABLE II

| HP | PH | Bracket No. | "AK" Fit | "U" Dim. | Motor Frame |
|----|----|-------------|----------|----------|-------------|
| 15 | 3 | L04616 | 8-1/2" | 1-1/4" | 254JM |
| 20 | 3 | L04616 | 8-1/2" | 1-1/4" | 256JM |

NOTE: For an explanation of the tabulated material found on this page and for impeller key location, refer to *Supplement A* located at the beginning of this section.



TYPE "B" SINGLE STAGE CENTRIFUGAL PUMP Electric Motor Drive

| | |
|----------------|-----------------|
| Section | CC |
| Page | 310.5 |
| Date | January 1, 2004 |
| Supersedes/New | |

BRONZE IMPELLER

B5EPHS

Flanged Case

Mechanical Shaft Seal Construction

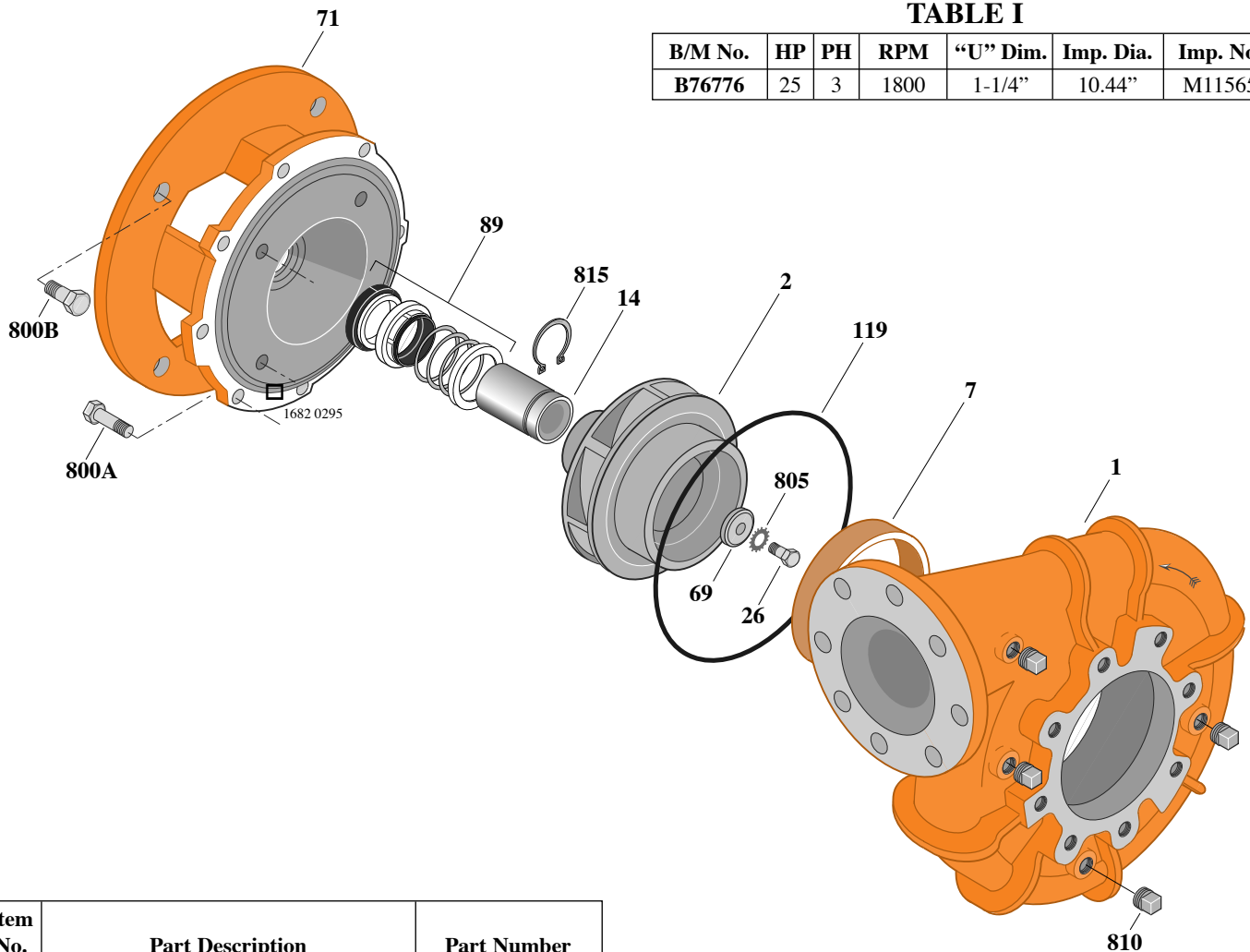


TABLE I

| B/M No. | HP | PH | RPM | "U" Dim. | Imp. Dia. | Imp. No. |
|---------|----|----|------|----------|-----------|----------|
| B76776 | 25 | 3 | 1800 | 1-1/4" | 10.44" | M11565 |

| Item No. | Part Description | Part Number |
|----------|--------------------------------------|--------------|
| 1 | Case, Volute | H02692 |
| 2 | Impeller | See Table I |
| 7 | Ring, Wearing | S15630 |
| 14 | Sleeve, Shaft | S18869 |
| 26 | Screw, Impeller 1/2 - 13 x 1" | S23619 |
| 32 | Key, 1/4 x 2-1/4" (See Note) | S23677 |
| 69 | Washer, Impeller | S06319 |
| 71 | Bracket | See Table II |
| 89 | Seal, Mechanical Shaft | S32015 |
| 119 | O-Ring | S13760 |
| 800A | Capscrew, 1/2 - 13 x 1-1/4" (8 Req.) | S26914 |
| 800B | Capscrew, 5/8 - 11 x 1-1/2" (4 Req.) | S26999 |
| 805 | Washer, Lock | S23038 |
| 810 | Plug, Pipe 1/2 NPT (4 Req.) | S23717 |
| 815 | Ring, Retaining | S16767 |

TABLE II

| HP | PH | Bracket No. | "AK" Fit | "U" Dim. | Motor Frame |
|----|----|-------------|----------|----------|-------------|
| 25 | 3 | L05396 | 12-1/2" | 1-1/4" | 284JM |

NOTE: For an explanation of the tabulated material found on this page and for impeller key location, refer to *Supplement A* located at the beginning of this section.



TYPE "B" SINGLE STAGE CENTRIFUGAL PUMP Electric Motor Drive

| | |
|-------------------|-----------------|
| Section | CC |
| Page | 320.1 |
| Date | January 1, 2004 |
| Supersedes 6/1/95 | |

BRONZE IMPELLER

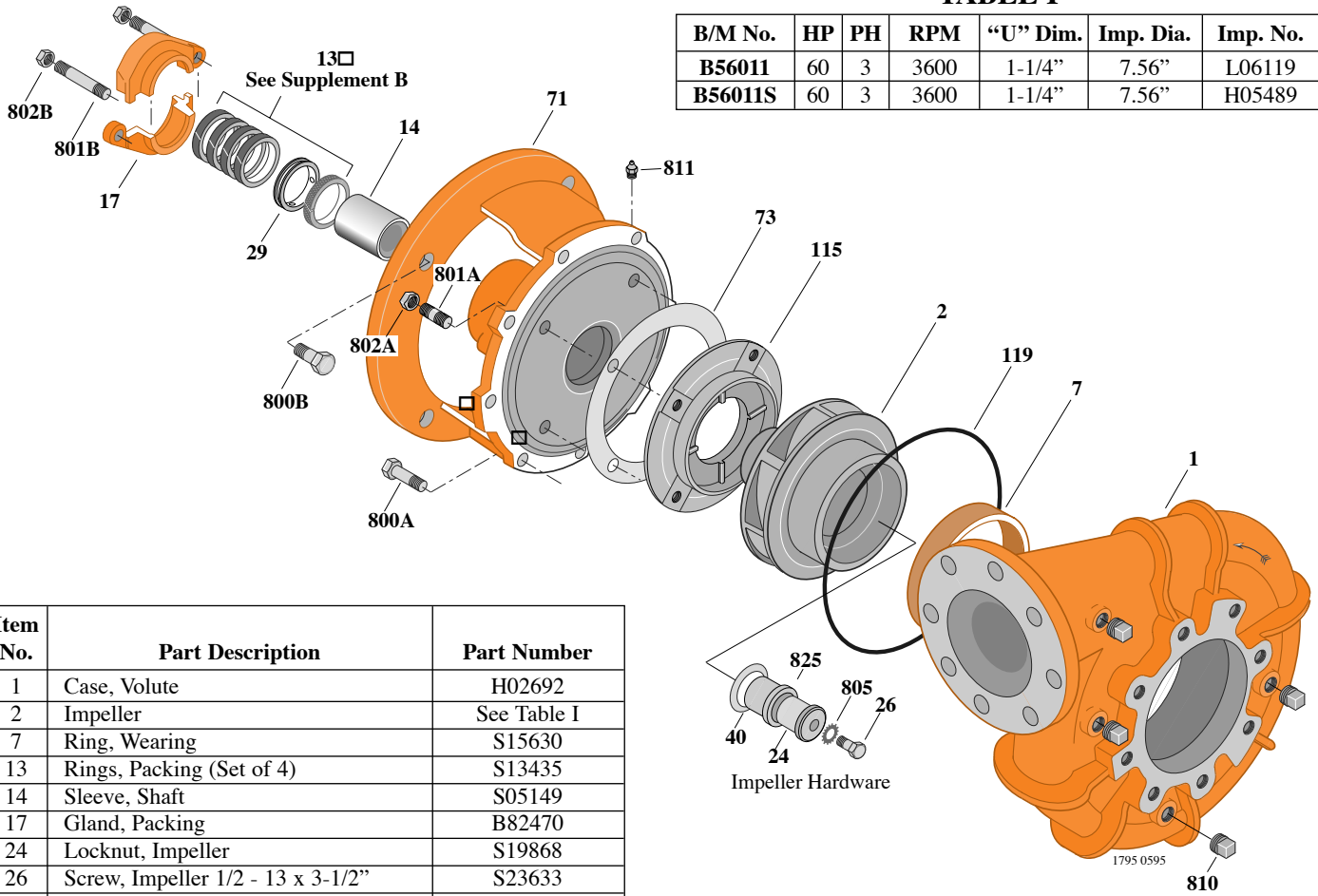
B5EPBM

Flanged Case

Packing Construction

TABLE I

| B/M No. | HP | PH | RPM | "U" Dim. | Imp. Dia. | Imp. No. |
|----------------|----|----|------|----------|-----------|----------|
| B56011 | 60 | 3 | 3600 | 1-1/4" | 7.56" | L06119 |
| B56011S | 60 | 3 | 3600 | 1-1/4" | 7.56" | H05489 |



| Item No. | Part Description | Part Number |
|----------|---------------------------------------|--------------|
| 1 | Case, Volute | H02692 |
| 2 | Impeller | See Table I |
| 7 | Ring, Wearing | S15630 |
| 13 | Rings, Packing (Set of 4) | S13435 |
| 14 | Sleeve, Shaft | S05149 |
| 17 | Gland, Packing | B82470 |
| 24 | Locknut, Impeller | S19868 |
| 26 | Screw, Impeller 1/2 - 13 x 3-1/2" | S23633 |
| 29 | Ring, Lantern | S19200 |
| 32 | Key, 1/4 x 2-1/4" (See Note) | S23677 |
| 40 | Deflector | S19864 |
| 71 | Bracket | See Table II |
| 73 | Gasket, Balance Ring | S09943 |
| 115 | Ring, Balance | S12334 |
| 119 | O-Ring | S13760 |
| 800A | Cap screw, 1/2 - 13 x 1-1/4" (8 Req.) | S26914 |
| 800B | Cap screw, 5/8 - 11 x 1-1/2" (4 Req.) | S26999 |
| 801A | Stud, 3/8 - 16 x 1-1/4" (4 Req.) | S23994 |
| 801B | Stud, 3/8 - 16 x 2-1/2" (2 Req.) | S04438 |
| 802A | Nut, Hex 3/8 - 16 (4 Req.) | S23013 |
| 802B | Nut, Hex 3/8 - 16 (2 Req.) | S23343 |
| 805 | Washer, Lock | S23038 |
| 810 | Plug, Pipe 1/2 NPT (4 Req.) | S23717 |
| 811 | Fitting, Grease | S23700 |
| 812 | Elbow, Street | S25421 |
| 825 | Sleeve, Impeller Locknut | S19865 |

TABLE II

| HP | PH | Bracket No. | "AK" Fit | "U" Dim. | Motor Frame |
|----|----|-------------|----------|----------|-------------|
| 60 | 3 | L03497 | 12-1/2" | 1-1/4" | 326JP |

NOTE: For an explanation of the tabulated material found on this page and for impeller key location, refer to *Supplement A* located at the beginning of this section.



TYPE "B" SINGLE STAGE CENTRIFUGAL PUMP Electric Motor Drive

| | |
|-------------------|-----------------|
| Section | CC |
| Page | 320.2 |
| Date | January 1, 2004 |
| Supersedes 6/1/95 | |

BRONZE IMPELLER

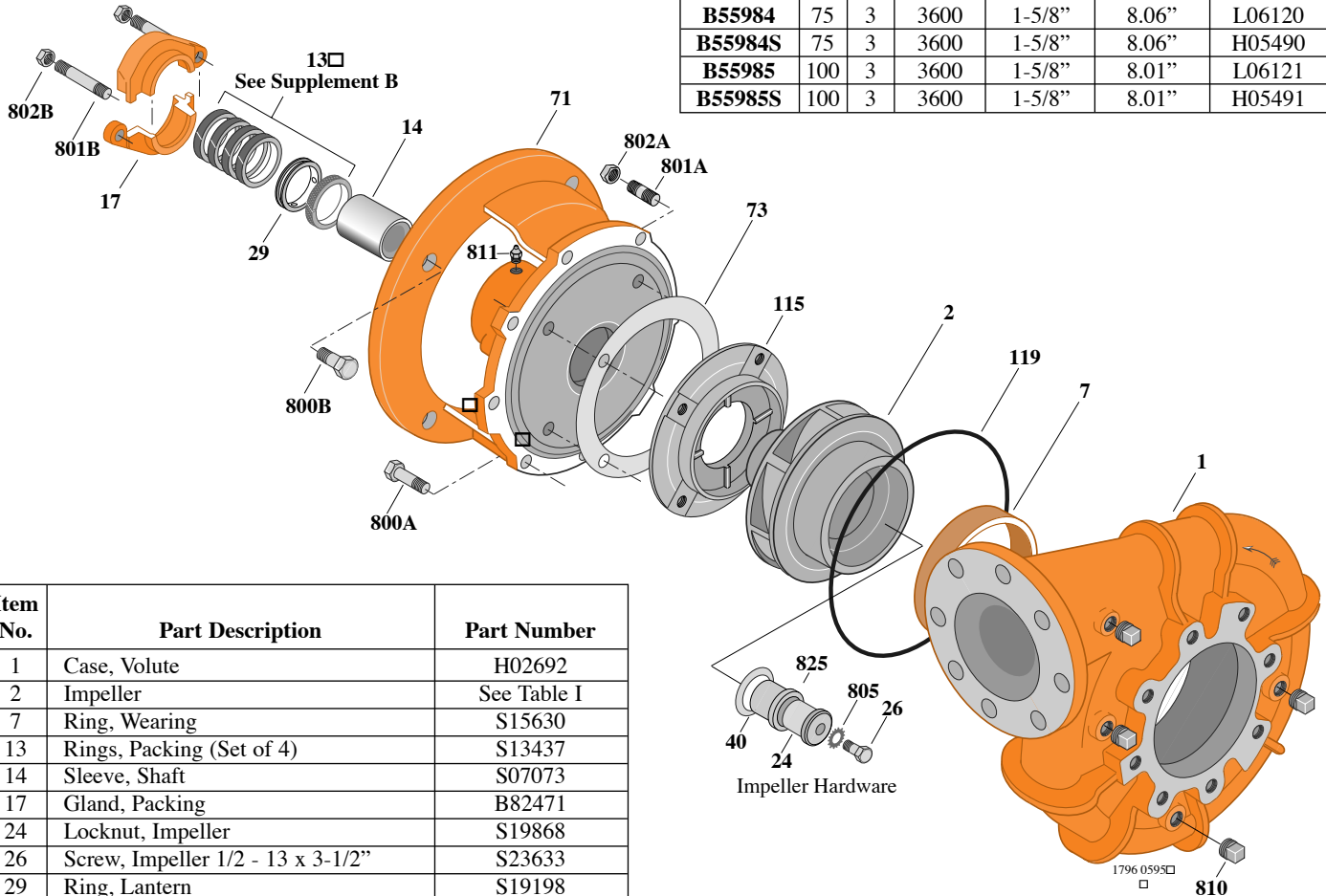
B5EPBM

Flanged Case

Packing Construction

TABLE I

| B/M No. | HP | PH | RPM | "U" Dim. | Imp. Dia. | Imp. No. |
|---------|-----|----|------|----------|-----------|----------|
| B55984 | 75 | 3 | 3600 | 1-5/8" | 8.06" | L06120 |
| B55984S | 75 | 3 | 3600 | 1-5/8" | 8.06" | H05490 |
| B55985 | 100 | 3 | 3600 | 1-5/8" | 8.01" | L06121 |
| B55985S | 100 | 3 | 3600 | 1-5/8" | 8.01" | H05491 |



| Item No. | Part Description | Part Number |
|----------|--------------------------------------|--------------|
| 1 | Case, Volute | H02692 |
| 2 | Impeller | See Table I |
| 7 | Ring, Wearing | S15630 |
| 13 | Rings, Packing (Set of 4) | S13437 |
| 14 | Sleeve, Shaft | S07073 |
| 17 | Gland, Packing | B82471 |
| 24 | Locknut, Impeller | S19868 |
| 26 | Screw, Impeller 1/2 - 13 x 3-1/2" | S23633 |
| 29 | Ring, Lantern | S19198 |
| 32 | Key, 3/8 x 2-1/4" (See Note) | S23677 |
| 40 | Deflector | S19864 |
| 71 | Bracket | See Table II |
| 73 | Gasket, Balance Ring | S09943 |
| 115 | Ring, Balance | S12334 |
| 119 | O-Ring | S13760 |
| 800A | Capscrew, 1/2 - 13 x 1-1/4" (8 Req.) | S26914 |
| 800B | Capscrew, 5/8 - 11 x 1-1/2" (4 Req.) | S26999 |
| 801A | Stud, 3/8 - 16 x 1-1/2" (4 Req.) | S23995 |
| 801B | Stud, 3/8 - 16 x 2-1/2" (2 Req.) | S04438 |
| 802A | Nut, Hex 3/8 - 16 (4 Req.) | S23013 |
| 802B | Nut, Hex 3/8 - 16 (2 Req.) | S23343 |
| 805 | Washer, Lock | S23038 |
| 810 | Plug, Pipe 1/2 NPT (4 Req.) | S23717 |
| 811 | Fitting, Grease | S23700 |
| 825 | Sleeve, Impeller Locknut | S19865 |

TABLE II

| HP | PH | Bracket No. | "AK" Fit | "U" Dim. | Motor Frame |
|-----|----|-------------|----------|----------|-------------|
| 75 | 3 | L05610 | 12-1/2" | 1-5/8" | 364JP |
| 100 | 3 | L05610 | 12-1/2" | 1-5/8" | 365JP |

NOTE: For an explanation of the tabulated material found on this page and for impeller key location, refer to *Supplement A* located at the beginning of this section.



TYPE "B" SINGLE STAGE CENTRIFUGAL PUMP Electric Motor Drive

| | |
|-------------------|-----------------|
| Section | CC |
| Page | 320.3 |
| Date | January 1, 2004 |
| Supersedes 6/1/95 | |

BRONZE IMPELLER

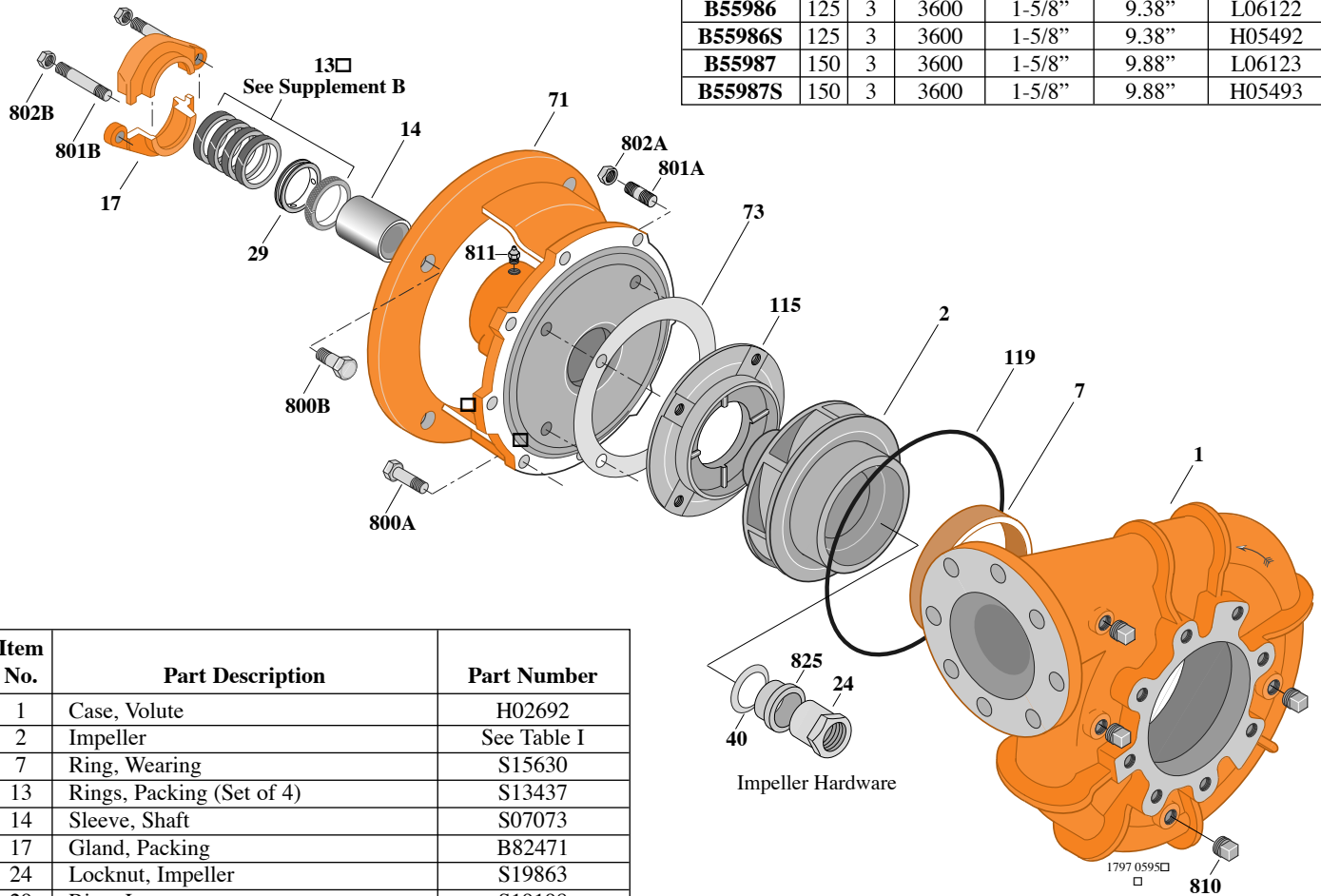
B5EPBM

Flanged Case

Packing Construction

TABLE I

| B/M No. | HP | PH | RPM | "U" Dim. | Imp. Dia. | Imp. No. |
|----------------|-----|----|------|----------|-----------|----------|
| B55986 | 125 | 3 | 3600 | 1-5/8" | 9.38" | L06122 |
| B55986S | 125 | 3 | 3600 | 1-5/8" | 9.38" | H05492 |
| B55987 | 150 | 3 | 3600 | 1-5/8" | 9.88" | L06123 |
| B55987S | 150 | 3 | 3600 | 1-5/8" | 9.88" | H05493 |



| Item No. | Part Description | Part Number |
|----------|--------------------------------------|--------------|
| 1 | Case, Volute | H02692 |
| 2 | Impeller | See Table I |
| 7 | Ring, Wearing | S15630 |
| 13 | Rings, Packing (Set of 4) | S13437 |
| 14 | Sleeve, Shaft | S07073 |
| 17 | Gland, Packing | B82471 |
| 24 | Locknut, Impeller | S19863 |
| 29 | Ring, Lantern | S19198 |
| 32 | Key, 3/8 x 2-1/4" (See Note) | S23940 |
| 40 | Deflector | S19864 |
| 71 | Bracket | See Table II |
| 73 | Gasket, Balance Ring | S09943 |
| 115 | Ring, Balance | S12334 |
| 119 | O-Ring | S13760 |
| 800A | Capscrew, 1/2 - 13 x 1-1/4" (8 Req.) | S26914 |
| 800B | Capscrew, 5/8 - 11 x 1-1/2" (4 Req.) | S26999 |
| 801A | Stud, 3/8 - 16 x 1-1/2" (4 Req.) | S23995 |
| 801B | Stud, 3/8 - 16 x 2-1/2" (2 Req.) | S04438 |
| 802A | Nut, Hex 3/8 - 16 (4 Req.) | S23103 |
| 802B | Nut, Hex 3/8 - 16 (2 Req.) | S23343 |
| 810 | Plug, Pipe 1/2 NPT (4 Req.) | S23717 |
| 811 | Fitting, Grease | S23700 |
| 825 | Sleeve, Impeller Locknut | S19865 |

TABLE II

| HP | PH | Bracket No. | "AK" Fit | "U" Dim. | Motor Frame |
|-----|----|-------------|----------|----------|-------------|
| 125 | 3 | L05610 | 12-1/2" | 1-5/8" | 404TC |
| 150 | 3 | L05610 | 12-1/2" | 1-5/8" | 405TC |

NOTE: For an explanation of the tabulated material found on this page and for impeller key location, refer to *Supplement A* located at the beginning of this section.



TYPE "B" SINGLE STAGE CENTRIFUGAL PUMP Electric Motor Drive

| | |
|-------------------|-----------------|
| Section | CC |
| Page | 320.4 |
| Date | January 1, 2004 |
| Supersedes 6/1/95 | |

BRONZE IMPELLER

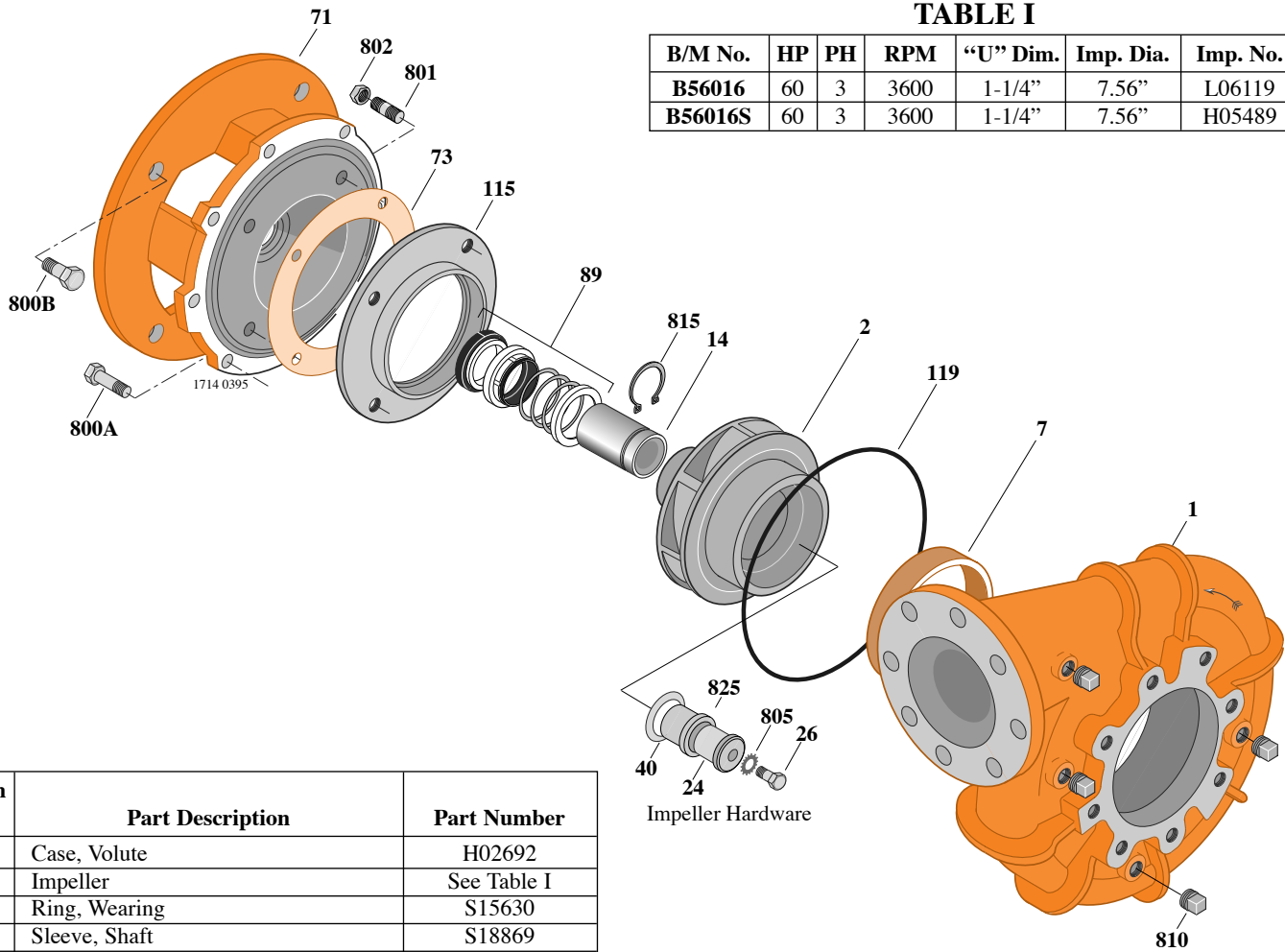
B5EPBMS

Flanged Case

Mechanical Shaft Seal Construction

TABLE I

| B/M No. | HP | PH | RPM | "U" Dim. | Imp. Dia. | Imp. No. |
|---------|----|----|------|----------|-----------|----------|
| B56016 | 60 | 3 | 3600 | 1-1/4" | 7.56" | L06119 |
| B56016S | 60 | 3 | 3600 | 1-1/4" | 7.56" | H05489 |



| Item No. | Part Description | Part Number |
|----------|--------------------------------------|--------------|
| 1 | Case, Volute | H02692 |
| 2 | Impeller | See Table I |
| 7 | Ring, Wearing | S15630 |
| 14 | Sleeve, Shaft | S18869 |
| 24 | Locknut, Impeller | S19868 |
| 26 | Screw, Impeller 1/2 - 13 x 3-1/2" | S23633 |
| 32 | Key, 1/4 x 2-1/4" (See Note) | S23677 |
| 40 | Deflector | S19864 |
| 71 | Bracket | See Table II |
| 73 | Gasket, Balance Ring | S09943 |
| 89 | Seal, Mechanical Shaft | S32015 |
| 115 | Ring, Balance | S19109 |
| 119 | O-Ring | S13760 |
| 800A | Capscrew, 1/2 - 13 x 1-1/4" (8 Req.) | S26914 |
| 800B | Capscrew, 5/8 - 11 x 1-1/2" (4 Req.) | S26999 |
| 801 | Stud, 3/8 - 16 x 1-1/2" (4 Req.) | S23995 |
| 802 | Nut, 3/8 - 16 (4 Req.) | S23103 |
| 805 | Washer, Lock | S23038 |
| 810 | Plug, Pipe 1/2 NPT (4 Req.) | S23717 |
| 815 | Ring, Retaining | S16767 |
| 825 | Sleeve, Impeller | S19865 |

TABLE II

| HP | PH | Bracket No. | "AK" Fit | "U" Dim. | Motor Frame |
|----|----|-------------|----------|----------|-------------|
| 60 | 3 | L04628 | 12-1/2" | 1-1/4" | 326JM |

NOTE: For an explanation of the tabulated material found on this page and for impeller key location, refer to *Supplement A* located at the beginning of this section.



Type "B" Single Stage Centrifugal Pump Electric Motor Drive

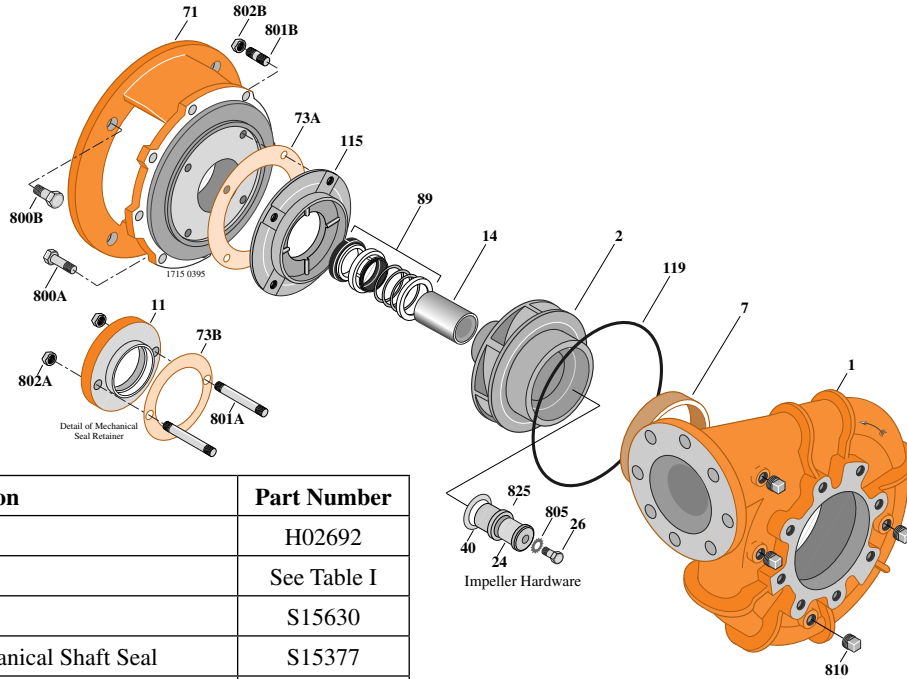
| | |
|-------------------|--------------|
| Section | CC |
| Page | 320.5 |
| Date | July 1, 2011 |
| Supersedes 1/1/04 | |

BRONZE IMPELLER

B5EPBMS

Flanged Case

Mechanical Shaft Seal Construction



| Item | Part Description | Part Number |
|------|--------------------------------------|--------------|
| 1 | Case, Volute | H02692 |
| 2 | Impeller | See Table I |
| 7 | Ring, Wearing | S15630 |
| 11 | Retainer, Mechanical Shaft Seal | S15377 |
| 14 | Sleeve, Shaft | S07073L |
| 24 | Locknut, Impeller | S19868 |
| 26 | Screw, Impeller 1/2-13x3-1/2" | S23633 |
| 32 | Key, 3/8-2-1/4" (See Note) | S23940 |
| 40 | Deflector | S19864 |
| 71 | Bracket | See Table II |
| 73A | Gasket, Balance Ring | S09943 |
| 73B | Gasket, Seal Retainer | S15078 |
| 89 | Seal, Mechanical Shaft | S32016 |
| 115 | Ring, Balance | S12334 |
| 119 | O-Ring | S13760 |
| 800A | Capscrew, 1/2-13x1-1/4" (8 Req.) | S26914 |
| 800B | Capscrew, 5/8-11x1-3/4" (4 Req.) | S27001 |
| 801A | Stud, 3/8-16x2-1/2" (2 Req.) | S04438 |
| 801B | Stud, 3/8-16x1-1/2" (4 Req.) | S23994 |
| 802A | Nut, Hex 3/8-16 (2 Req.) | S23343 |
| 802B | Nut, Hex 3/8-16 (4 Req.) | S23103 |
| 805 | Washer, Lock | S23038 |
| 810 | Plug, Pipe 1/2 NPT (4 Req.) | S23717 |
| 820 | Connector, Comp. Fitting (2 Req.) | S23013 |
| 822 | Tubing, Copper | S20677 |
| 825 | Sleeve, Impeller Locknut | S19865 |
| • | Plug, Pipe 1/8 NPT (Not Illustrated) | S23714 |

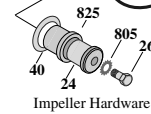


Table I

| B/M No. | HP | PH | RPM | "U" Dim. | Imp. Dia. | Imp. No. |
|---------|-----|----|------|----------|-----------|----------|
| B62093 | 75 | 3 | 3600 | 1-5/8" | 8.06" | L06120 |
| B62093S | 75 | 3 | 3600 | 1-5/8" | 8.06" | H05490 |
| B62094 | 100 | 3 | 3600 | 1-5/8" | 8.81" | L06121 |
| B62094S | 100 | 3 | 3600 | 1-5/8" | 8.81" | H05491 |

Table II

| HP | PH | Bracket No. | "AK" Fit | "U" Dim. | Motor Frame |
|-----|----|-------------|----------|----------|-------------|
| 75 | 3 | L06315 | 12-1/2" | 1-5/8" | 364JP |
| 100 | 3 | L06315 | 12-1/2" | 1-5/8" | 365JP |

NOTE: For an explanation of the tabulated material found on this page and for impeller key location, refer to *Supplement A* located at the beginning of this section.



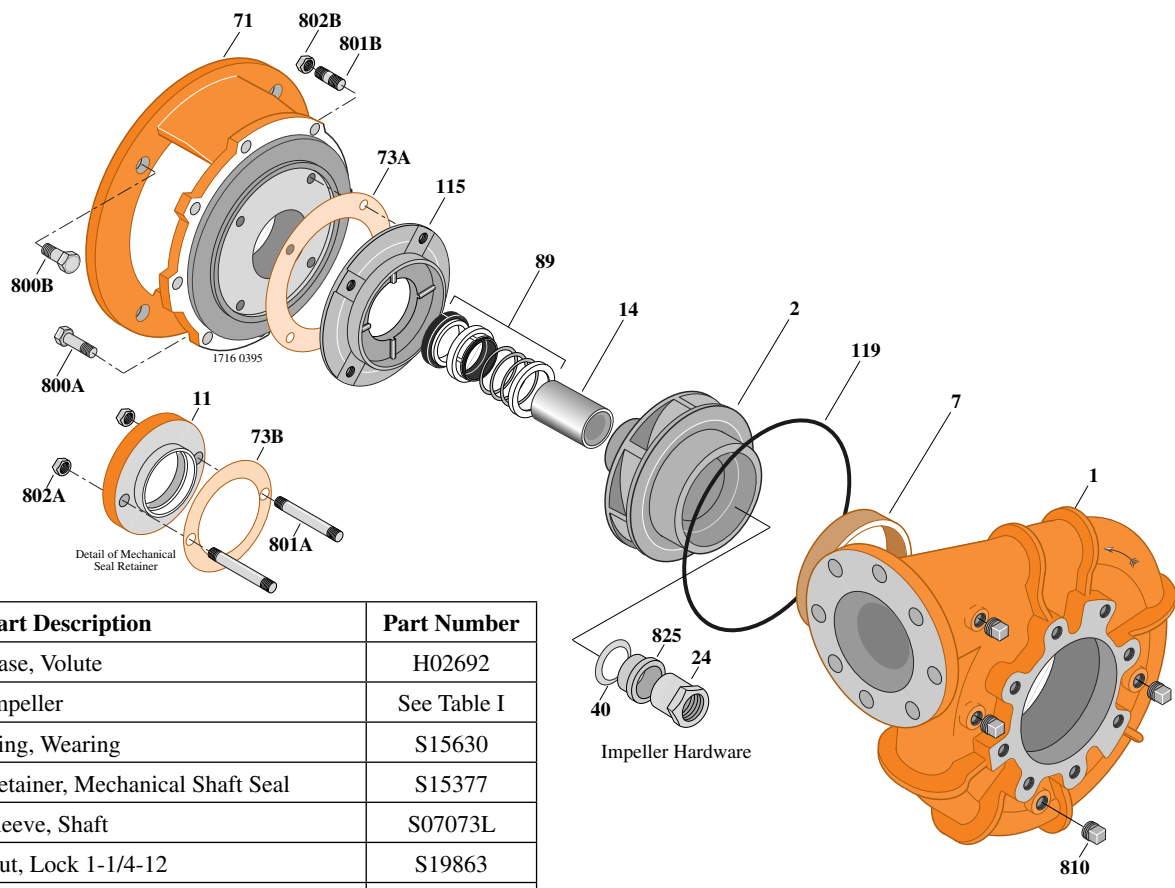
Type "B" Single Stage Centrifugal Pump Electric Motor Drive

| | |
|-------------------|--------------|
| Section | CC |
| Page | 320.6 |
| Date | July 1, 2011 |
| Supersedes 1/1/04 | |

BRONZE IMPELLERB5EPBMS

Flanged Case

Mechanical Shaft Seal Construction



| Item | Part Description | Part Number |
|------|--------------------------------------|--------------|
| 1 | Case, Volute | H02692 |
| 2 | Impeller | See Table I |
| 7 | Ring, Wearing | S15630 |
| 11 | Retainer, Mechanical Shaft Seal | S15377 |
| 14 | Sleeve, Shaft | S07073L |
| 24 | Nut, Lock 1-1/4-12 | S19863 |
| 32 | Key, 3/8x2-1/4" (See Note) | S23940 |
| 40 | Deflector | S19864 |
| 71 | Bracket | See Table II |
| 73A | Gasket, Balance Ring | S09943 |
| 89 | Seal, Mechanical Shaft | S32016 |
| 115 | Ring, Balance | S12334 |
| 119 | O-Ring | S13760 |
| 800A | Capscrew, 1/2-13x1-1/4" (8 Req.) | S26914 |
| 800B | Capscrew, 5/8-11x1-3/4" (4 Req.) | S27001 |
| 801A | Stud, 3/8-16x2-1/2" (2 Req.) | S04438 |
| 801B | Stud, 3/8-16x1-1/4" (4 Req.) | S23994 |
| 802A | Nut, Hex 3/8-16 (2 Req.) | S23343 |
| 802B | Nut, Hex 3/8-16 (4 Req.) | S23103 |
| 810 | Plug, Pipe 1/2 NPT (4 Req.) | S23717 |
| 820 | Connector, Comp. Fitting (2 Req.) | S24013 |
| 822 | Tubing, Copper | S20677 |
| 825 | Sleeve, Impeller Locknut | S19865 |
| • | Plug, Pipe 1/8 NPT (Not Illustrated) | S23714 |

Table I

| B/M No. | HP | PH | RPM | "U" Dim. | Imp. Dia. | Imp. No. |
|---------|-----|----|------|----------|-----------|----------|
| B62095 | 125 | 3 | 3600 | 1-5/8" | 9.38" | L06122 |
| B62095S | 125 | 3 | 3600 | 1-5/8" | 9.38" | H05492 |
| B62096 | 150 | 3 | 3600 | 1-5/8" | 9.88" | L06123 |
| B62096S | 150 | 3 | 3600 | 1-5/8" | 9.88" | H05493 |

Table II

| HP | PH | Bracket No. | "AK" Fit | "U" Dim. | Motor Frame |
|-----|----|-------------|----------|----------|-------------|
| 125 | 3 | L06315 | 12-1/2" | 1-5/8" | 404TC |
| 150 | 3 | L06315 | 12-1/2" | 1-5/8" | 405TC |

NOTE 1: For an explanation of the tabulated material found on this page and for impeller key location, refer to *Supplement A* located at the beginning of this section.



TYPE "B" SINGLE STAGE CENTRIFUGAL PUMP Electric Motor Drive

| | |
|----------------|-------------------|
| Section | CC |
| Page | 320.7 |
| Date | September 1, 1997 |
| Supersedes/New | |

SILICON BRONZE IMPELLER

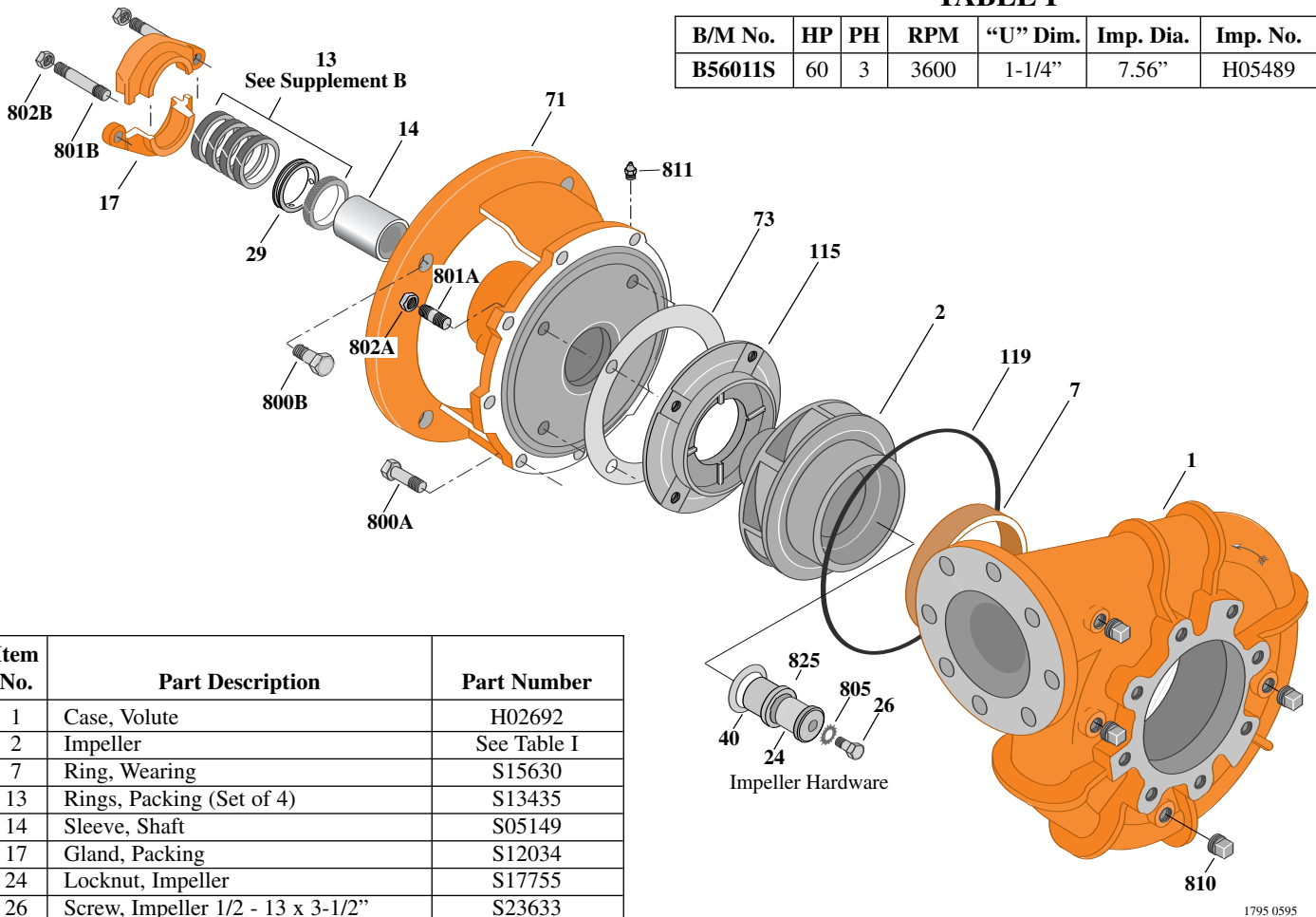
B5EPBM

Flanged Case

Packing Construction

TABLE I

| B/M No. | HP | PH | RPM | "U" Dim. | Imp. Dia. | Imp. No. |
|---------|----|----|------|----------|-----------|----------|
| B56011S | 60 | 3 | 3600 | 1-1/4" | 7.56" | H05489 |



1795 0595

| Item No. | Part Description | Part Number |
|----------|--------------------------------------|--------------|
| 1 | Case, Volute | H02692 |
| 2 | Impeller | See Table I |
| 7 | Ring, Wearing | S15630 |
| 13 | Rings, Packing (Set of 4) | S13435 |
| 14 | Sleeve, Shaft | S05149 |
| 17 | Gland, Packing | S12034 |
| 24 | Locknut, Impeller | S17755 |
| 26 | Screw, Impeller 1/2 - 13 x 3-1/2" | S23633 |
| 29 | Ring, Lantern | S19200 |
| 32 | Key, 1/4 x 2-1/4" (See Note) | S23677 |
| 40 | Deflector | S19864 |
| 71 | Bracket | See Table II |
| 73 | Gasket, Balance Ring | S09943 |
| 115 | Ring, Balance | S12334 |
| 119 | O-Ring | S13760 |
| 800A | Capscrew, 1/2 - 13 x 1-1/4" (8 Req.) | S26914 |
| 800B | Capscrew, 5/8 - 11 x 1-1/2" (4 Req.) | S26999 |
| 801A | Stud, 3/8 - 16 x 1-1/4" (4 Req.) | S23994 |
| 801B | Stud, 3/8 - 16 x 2-1/2" (2 Req.) | S04438 |
| 802A | Nut, Hex 3/8 - 16 (4 Req.) | S23013 |
| 802B | Nut, Hex 3/8 - 16 (2 Req.) | S23343 |
| 805 | Washer, Lock | S23038 |
| 810 | Plug, Pipe 1/2" NPT (4 Req.) | S23717 |
| 811 | Fitting, Grease | S23700 |
| 825 | Sleeve, Impeller Locknut | S19865 |

TABLE II

| HP | PH | Bracket No. | "AK" Fit | "U" Dim. | Motor Frame |
|----|----|-------------|----------|----------|-------------|
| 60 | 3 | L03497 | 12-1/2" | 1-1/4" | 326JP |

NOTE: For an explanation of the tabulated material found on this page and for impeller key location, refer to *Supplement A* located at the beginning of this section.



TYPE "B" SINGLE STAGE CENTRIFUGAL PUMP Electric Motor Drive

| | |
|----------------|-------------------|
| Section | CC |
| Page | 320.8 |
| Date | September 1, 1997 |
| Supersedes/New | |

SILICON BRONZE IMPELLER

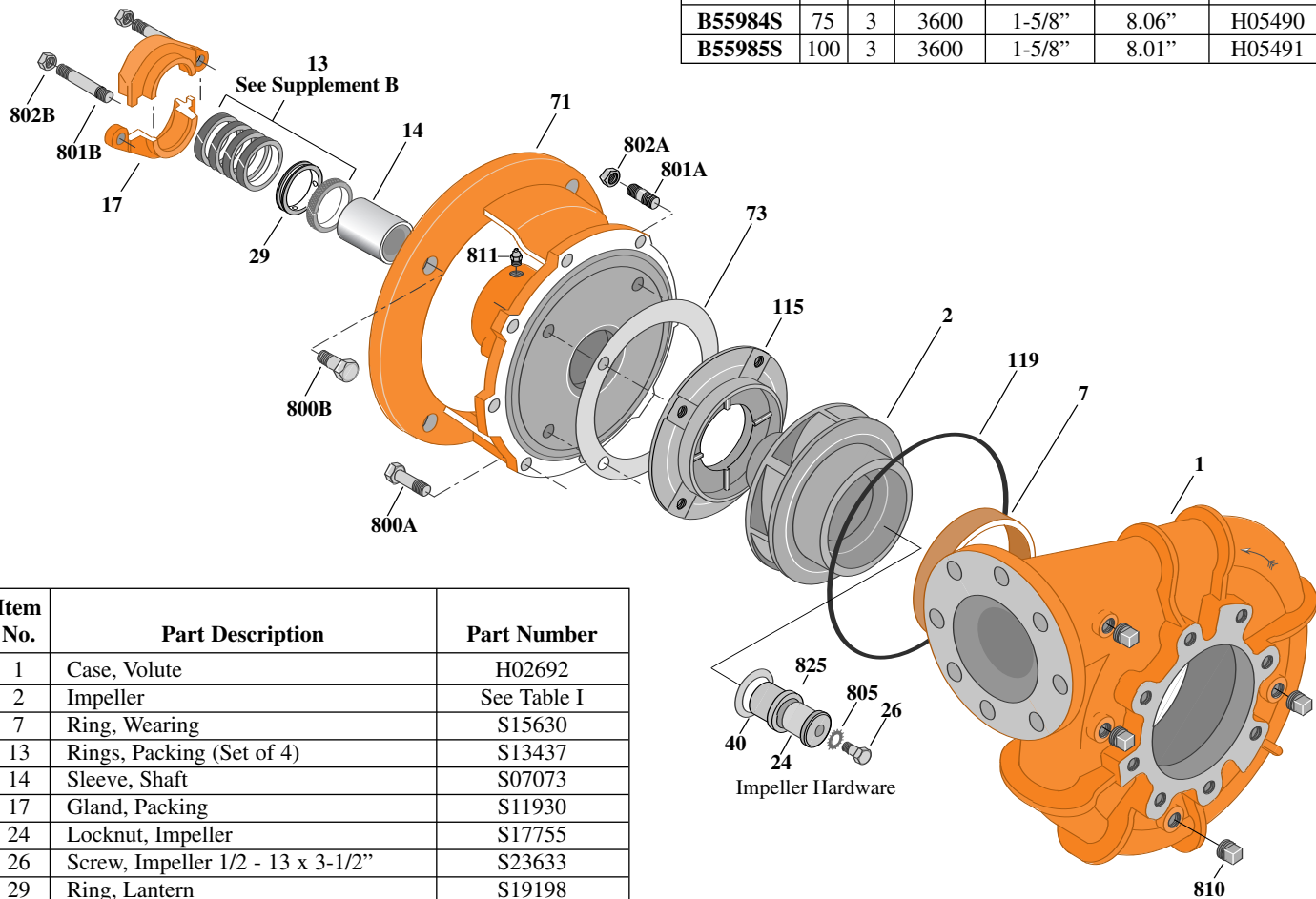
B5EPBM

Flanged Case

Packing Construction

TABLE I

| B/M No. | HP | PH | RPM | "U" Dim. | Imp. Dia. | Imp. No. |
|---------|-----|----|------|----------|-----------|----------|
| B55984S | 75 | 3 | 3600 | 1-5/8" | 8.06" | H05490 |
| B55985S | 100 | 3 | 3600 | 1-5/8" | 8.01" | H05491 |



| Item No. | Part Description | Part Number |
|----------|--------------------------------------|--------------|
| 1 | Case, Volute | H02692 |
| 2 | Impeller | See Table I |
| 7 | Ring, Wearing | S15630 |
| 13 | Rings, Packing (Set of 4) | S13437 |
| 14 | Sleeve, Shaft | S07073 |
| 17 | Gland, Packing | S11930 |
| 24 | Locknut, Impeller | S17755 |
| 26 | Screw, Impeller 1/2 - 13 x 3-1/2" | S23633 |
| 29 | Ring, Lantern | S19198 |
| 32 | Key, 3/8 x 2" (See Note) | S23939 |
| 40 | Deflector | S19864 |
| 71 | Bracket | See Table II |
| 73 | Gasket, Balance Ring | S09943 |
| 115 | Ring, Balance | S12334 |
| 119 | O-Ring | S13760 |
| 800A | Capscrew, 1/2 - 13 x 1-1/4" (8 Req.) | S26914 |
| 800B | Capscrew, 5/8 - 11 x 1-1/2" (4 Req.) | S26999 |
| 801A | Stud, 3/8 - 16 x 1-1/2" (4 Req.) | S23995 |
| 801B | Stud, 3/8 - 16 x 2-1/2" (2 Req.) | S04438 |
| 802A | Nut, Hex 3/8 - 16 (4 Req.) | S23013 |
| 802B | Nut, Hex 3/8 - 16 (2 Req.) | S23343 |
| 805 | Washer, Lock | S23038 |
| 810 | Plug, Pipe 1/2" NPT (4 Req.) | S23717 |
| 811 | Fitting, Grease | S23700 |
| 825 | Sleeve, Impeller Locknut | S19865 |

TABLE II

| HP | PH | Bracket No. | "AK" Fit | "U" Dim. | Motor Frame |
|-----|----|-------------|----------|----------|-------------|
| 75 | 3 | L05610 | 12-1/2" | 1-5/8" | 364JP |
| 100 | 3 | L05610 | 12-1/2" | 1-5/8" | 365JP |

NOTE: For an explanation of the tabulated material found on this page and for impeller key location, refer to *Supplement A* located at the beginning of this section.



TYPE "B" SINGLE STAGE CENTRIFUGAL PUMP Electric Motor Drive

| | |
|----------------|-------------------|
| Section | CC |
| Page | 320.9 |
| Date | September 1, 1997 |
| Supersedes/New | |

SILICON BRONZE IMPELLER

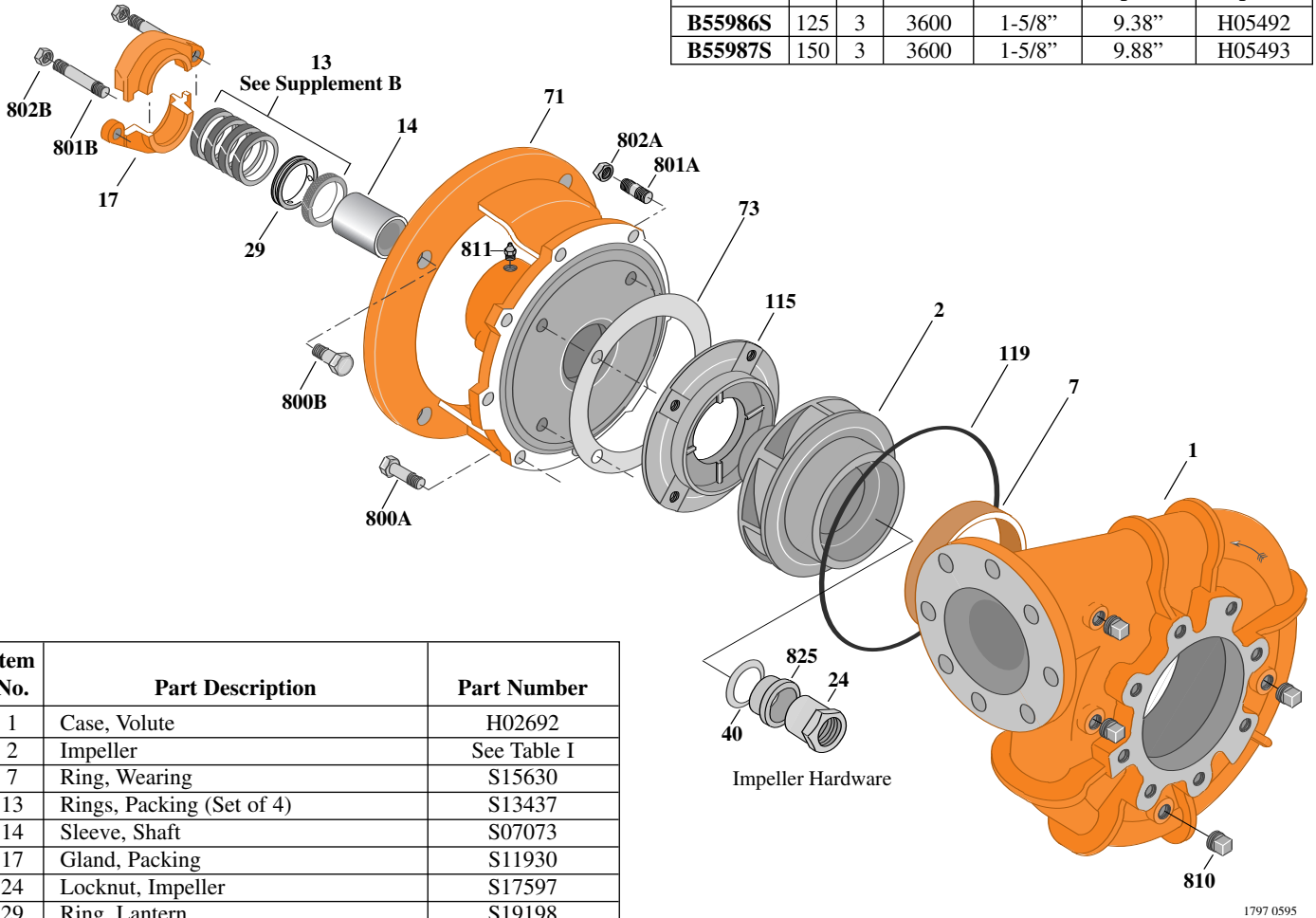
B5EPBM

Flanged Case

Packing Construction

TABLE I

| B/M No. | HP | PH | RPM | "U" Dim. | Imp. Dia. | Imp. No. |
|---------|-----|----|------|----------|-----------|----------|
| B55986S | 125 | 3 | 3600 | 1-5/8" | 9.38" | H05492 |
| B55987S | 150 | 3 | 3600 | 1-5/8" | 9.88" | H05493 |



| Item No. | Part Description | Part Number |
|----------|--------------------------------------|--------------|
| 1 | Case, Volute | H02692 |
| 2 | Impeller | See Table I |
| 7 | Ring, Wearing | S15630 |
| 13 | Rings, Packing (Set of 4) | S13437 |
| 14 | Sleeve, Shaft | S07073 |
| 17 | Gland, Packing | S11930 |
| 24 | Locknut, Impeller | S17597 |
| 29 | Ring, Lantern | S19198 |
| 32 | Key, 3/8 x 2-1/4" (See Note) | S23940 |
| 40 | Deflector | S19864 |
| 71 | Bracket | See Table II |
| 73 | Gasket, Balance Ring | S09943 |
| 115 | Ring, Balance | S12334 |
| 119 | O-Ring | S13760 |
| 800A | Capscrew, 1/2 - 13 x 1-1/4" (8 Req.) | S26914 |
| 800B | Capscrew, 5/8 - 11 x 1-1/2" (4 Req.) | S26999 |
| 801A | Stud, 3/8 - 16 x 1-1/2" (4 Req.) | S23995 |
| 801B | Stud, 3/8 - 16 x 2-1/2" (2 Req.) | S04438 |
| 802A | Nut, Hex 3/8 - 16 (4 Req.) | S23103 |
| 802B | Nut, Hex 3/8 - 16 (2 Req.) | S23343 |
| 810 | Plug, Pipe 1/2" NPT (4 Req.) | S23717 |
| 811 | Fitting, Grease | S23700 |
| 825 | Sleeve, Impeller Locknut | S19865 |

TABLE II

| HP | PH | Bracket No. | "AK" Fit | "U" Dim. | Motor Frame |
|-----|----|-------------|----------|----------|-------------|
| 125 | 3 | L05610 | 12-1/2" | 1-5/8" | 404TC |
| 150 | 3 | L05610 | 12-1/2" | 1-5/8" | 405TC |

NOTE: For an explanation of the tabulated material found on this page and for impeller key location, refer to *Supplement A* located at the beginning of this section.



TYPE "B" SINGLE STAGE CENTRIFUGAL PUMP Electric Motor Drive

| | |
|----------------|-------------------|
| Section | CC |
| Page | 320.11 |
| Date | September 1, 1997 |
| Supersedes/New | |

SILICON BRONZE IMPELLER

B5EPBMS

Flanged Case

Mechanical Shaft Seal Construction

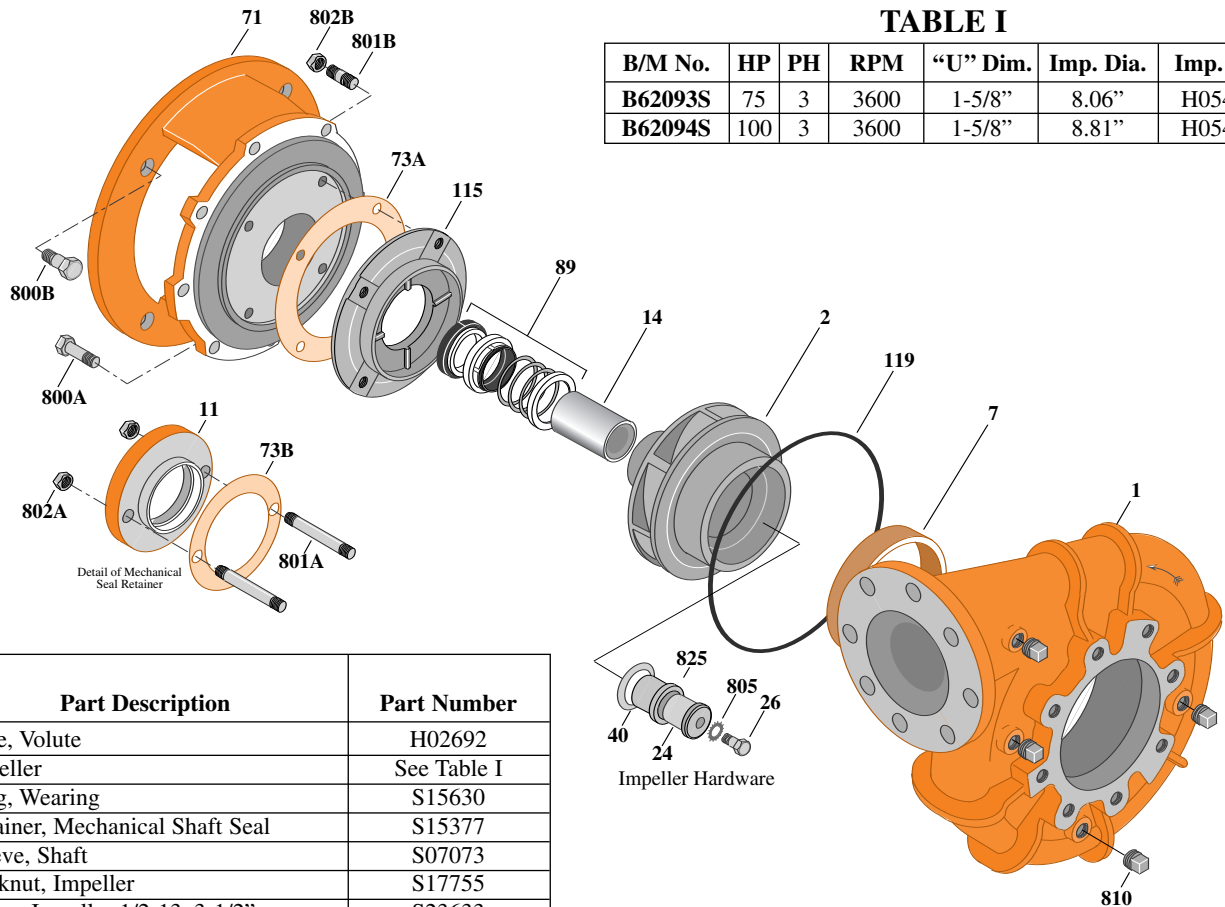


TABLE I

| B/M No. | HP | PH | RPM | "U" Dim. | Imp. Dia. | Imp. No. |
|---------|-----|----|------|----------|-----------|----------|
| B62093S | 75 | 3 | 3600 | 1-5/8" | 8.06" | H05490 |
| B62094S | 100 | 3 | 3600 | 1-5/8" | 8.81" | H05491 |

| Item No. | Part Description | Part Number |
|----------|----------------------------------|--------------|
| 1 | Case, Volute | H02692 |
| 2 | Impeller | See Table I |
| 7 | Ring, Wearing | S15630 |
| 11 | Retainer, Mechanical Shaft Seal | S15377 |
| 14 | Sleeve, Shaft | S07073 |
| 24 | Locknut, Impeller | S17755 |
| 26 | Screw, Impeller 1/2-13x3-1/2" | S23633 |
| 32 | Key, 3/8-2" (See Note) | S23939 |
| 40 | Deflector | S19864 |
| 71 | Bracket | See Table II |
| 73A | Gasket, Balance Ring | S09943 |
| 73B | Gasket, Seal Retainer | S15078 |
| 89 | Seal, Mechanical Shaft | S32016 |
| 115 | Ring, Balance | S12334 |
| 119 | O-Ring | S13760 |
| 800A | Capscrew, 1/2-13x1-1/4" (8 Req.) | S26914 |
| 800B | Capscrew, 5/8-11x1-3/4" (4 Req.) | S27001 |
| 801A | Stud, 3/8-16x2-1/2" (2 Req.) | S04438 |
| 801B | Stud, 3/8-16x1-1/2" (4 Req.) | S23995 |
| 802A | Nut, Hex 3/8-16 (2 Req.) | S23343 |
| 802B | Nut, Hex 3/8-16 (4 Req.) | S23103 |
| 805 | Washer, Lock | S23038 |
| 810 | Plug, Pipe 1/2" NPT (4 Req.) | S23717 |
| 825 | Sleeve, Impeller Locknut | S19865 |
| • | Plug, Pipe 1/8" NPT (In Bracket) | S23714 |

TABLE II

| HP | PH | Bracket No. | "AK" Fit | "U" Dim. | Motor Frame |
|-----|----|-------------|----------|----------|-------------|
| 75 | 3 | L06315 | 12-1/2" | 1-5/8" | 364JP |
| 100 | 3 | L06315 | 12-1/2" | 1-5/8" | 365JP |

NOTE: For an explanation of the tabulated material found on this page and for impeller key location, refer to *Supplement A* located at the beginning of this section.

NOTE: For seal flush line details, see *Supplement D*.

• Not illustrated.

1715 0395



TYPE "B" SINGLE STAGE CENTRIFUGAL PUMP Electric Motor Drive

| | |
|----------------|-------------------|
| Section | CC |
| Page | 320.12 |
| Date | September 1, 1997 |
| Supersedes/New | |

SILICON BRONZE IMPELLER

B5EPBMS

Flanged Case

Mechanical Shaft Seal Construction

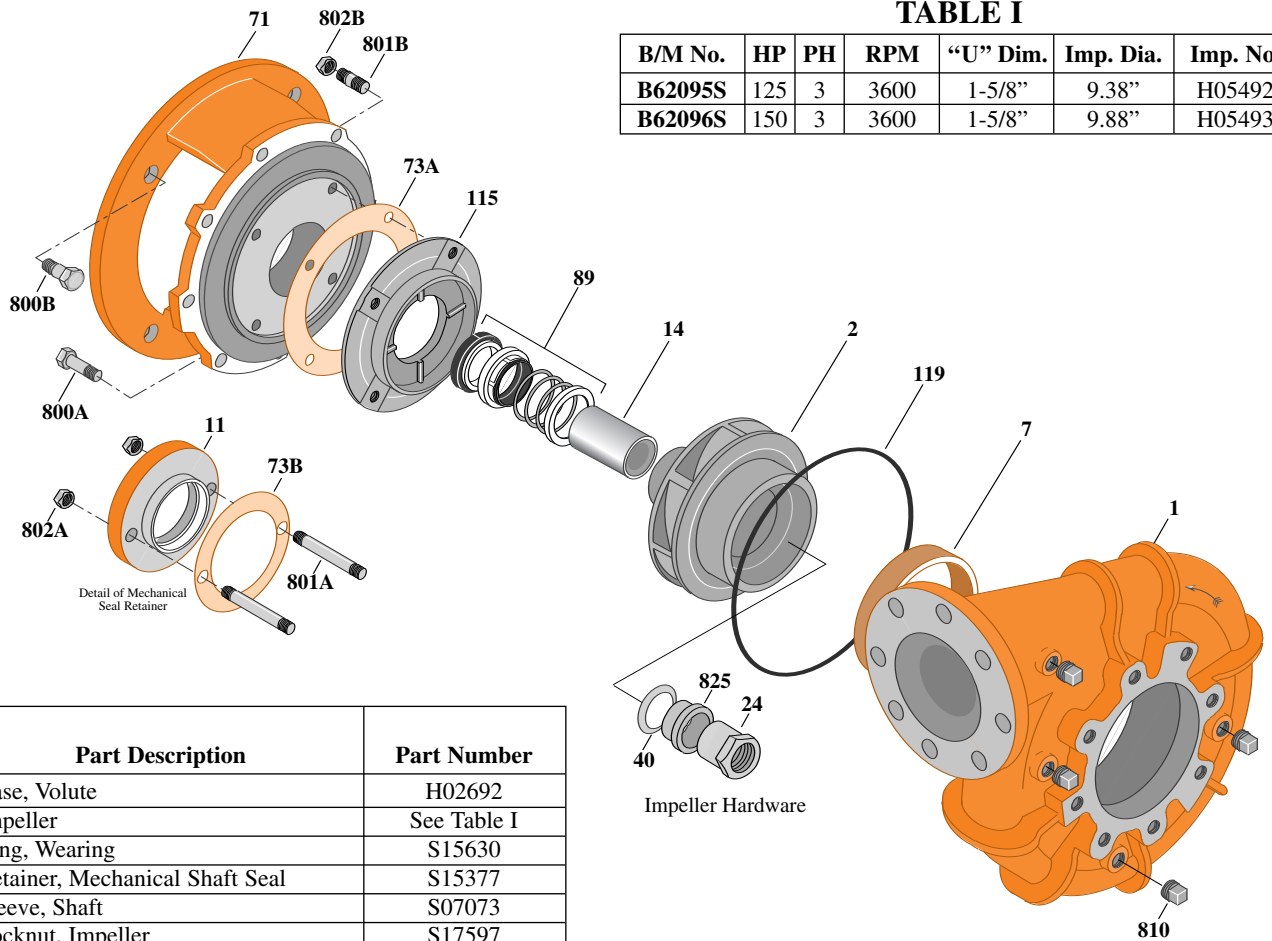


TABLE I

| B/M No. | HP | PH | RPM | "U" Dim. | Imp. Dia. | Imp. No. |
|----------------|-----|----|------|----------|-----------|----------|
| B62095S | 125 | 3 | 3600 | 1-5/8" | 9.38" | H05492 |
| B62096S | 150 | 3 | 3600 | 1-5/8" | 9.88" | H05493 |

| Item No. | Part Description | Part Number |
|----------|----------------------------------|--------------|
| 1 | Case, Volute | H02692 |
| 2 | Impeller | See Table I |
| 7 | Ring, Wearing | S15630 |
| 11 | Retainer, Mechanical Shaft Seal | S15377 |
| 14 | Sleeve, Shaft | S07073 |
| 24 | Locknut, Impeller | S17597 |
| 32 | Key, 3/8x2-1/4" (See Note) | S23940 |
| 40 | Deflector | S19864 |
| 71 | Bracket | See Table II |
| 73A | Gasket, Balance Ring | S09943 |
| 73B | Gasket, Seal Retainer | S15078 |
| 89 | Seal, Mechanical Shaft | S32016 |
| 115 | Ring, Balance | S12334 |
| 119 | O-Ring | S13760 |
| 800A | Capscrew, 1/2-13x1-1/4" (8 Req.) | S26914 |
| 800B | Capscrew, 5/8-11x1-3/4" (4 Req.) | S27001 |
| 801A | Stud, 3/8-16x2-1/2" (2 Req.) | S04438 |
| 801B | Stud, 3/8-16x1-1/2" (4 Req.) | S23995 |
| 802A | Nut, Hex 3/8-16 (2 Req.) | S23343 |
| 802B | Nut, Hex 3/8-16 (4 Req.) | S23103 |
| 810 | Plug, Pipe 1/2" NPT (4 Req.) | S23717 |
| 825 | Sleeve, Impeller Locknut | S19865 |
| • | Plug, Pipe 1/8" NPT (In Bracket) | S23714 |

• Not illustrated.

TABLE II

| HP | PH | Bracket No. | "AK" Fit | "U" Dim. | Motor Frame |
|-----|----|-------------|----------|----------|-------------|
| 125 | 3 | L06315 | 12-1/2" | 1-5/8" | 404TC |
| 150 | 3 | L06315 | 12-1/2" | 1-5/8" | 405TC |

NOTE: For an explanation of the tabulated material found on this page and for impeller key location, refer to *Supplement A* located at the beginning of this section.

NOTE: For seal flush line details, see *Supplement D*.

1716 0395



TYPE "B" SINGLE STAGE CENTRIFUGAL PUMP Electric Motor Drive

| | |
|----------------|--------------|
| Section | CC |
| Page | 330.1 |
| Date | June 1, 1995 |
| Supersedes/New | |

BRONZE IMPELLER

B5WP

Flanged Case

Packing Construction

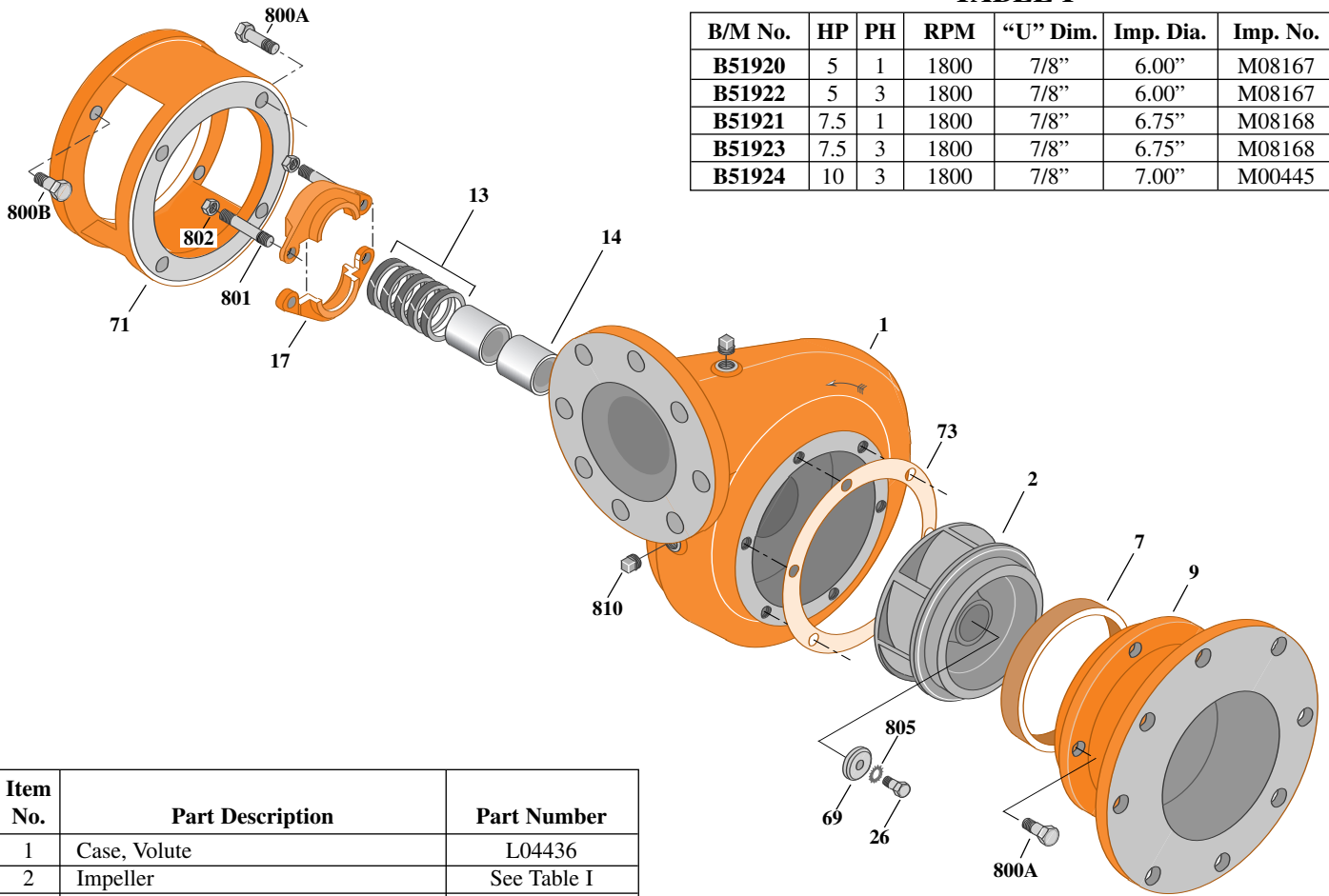


TABLE I

| B/M No. | HP | PH | RPM | "U" Dim. | Imp. Dia. | Imp. No. |
|---------------|-----|----|------|----------|-----------|----------|
| B51920 | 5 | 1 | 1800 | 7/8" | 6.00" | M08167 |
| B51922 | 5 | 3 | 1800 | 7/8" | 6.00" | M08167 |
| B51921 | 7.5 | 1 | 1800 | 7/8" | 6.75" | M08168 |
| B51923 | 7.5 | 3 | 1800 | 7/8" | 6.75" | M08168 |
| B51924 | 10 | 3 | 1800 | 7/8" | 7.00" | M00445 |

| Item No. | Part Description | Part Number |
|----------|--|--------------|
| 1 | Case, Volute | L04436 |
| 2 | Impeller | See Table I |
| 7 | Ring, Wearing | S04457 |
| 9 | Cover, Suction | M05873 |
| 13 | Rings, Packing (Set of 5) | S14109 |
| 14 | Sleeve, Shaft (2 Req.) | S00619 |
| 17 | Gland, Packing | S00393 |
| 26 | Screw, Impeller 3/8 - 16 x 1" | S23566 |
| 32 | Key, 3/16 x 1-1/4" (See Note) | S34383 |
| 69 | Washer, Impeller | S06314 |
| 71 | Bracket | See Table II |
| 73 | Gasket, Suction Cover | S01559 |
| 800A | Capscrew, 3/8 - 16 x 1" (10 Req.) | S26826 |
| 800B | Capscrew, 1/2 - 13 x 1-1/4" (4 Req.) | S26914 |
| 801 | Stud, 3/8 - 16 x 3-1/4" (2 Req.) | S04440 |
| 802 | Nut, Hex 3/8 - 16 (2 Req.) | S23343 |
| 805 | Washer, Lock | S23036 |
| 810A | Plug, Pipe 1/4 NPT (4 Req.) | S23715 |
| • | Plug, Pipe 1/2 NPT (Not Illustrated) (On Suction Cover) | S23717 |

TABLE II

| HP | PH | Bracket No. | "AK" Fit | "U" Dim. | Motor Frame |
|-----|----|-------------|----------|----------|-------------|
| 5 | 1 | M00631 | 8-1/2" | 7/8" | 213TC |
| 5 | 3 | M00631 | 8-1/2" | 7/8" | 184TC |
| 7.5 | 1 | M00631 | 8-1/2" | 7/8" | 215TC |
| 7.5 | 3 | M00631 | 8-1/2" | 7/8" | 213TC |
| 10 | 3 | M00631 | 8-1/2" | 7/8" | 215TC |

NOTE: For an explanation of the tabulated material found on this page and for impeller key location, refer to *Supplement A* located at the beginning of this section.



TYPE "B" SINGLE STAGE CENTRIFUGAL PUMP Electric Motor Drive

| | |
|----------------|--------------|
| Section | CC |
| Page | 330.2 |
| Date | June 1, 1995 |
| Supersedes/New | |

BRONZE IMPELLER

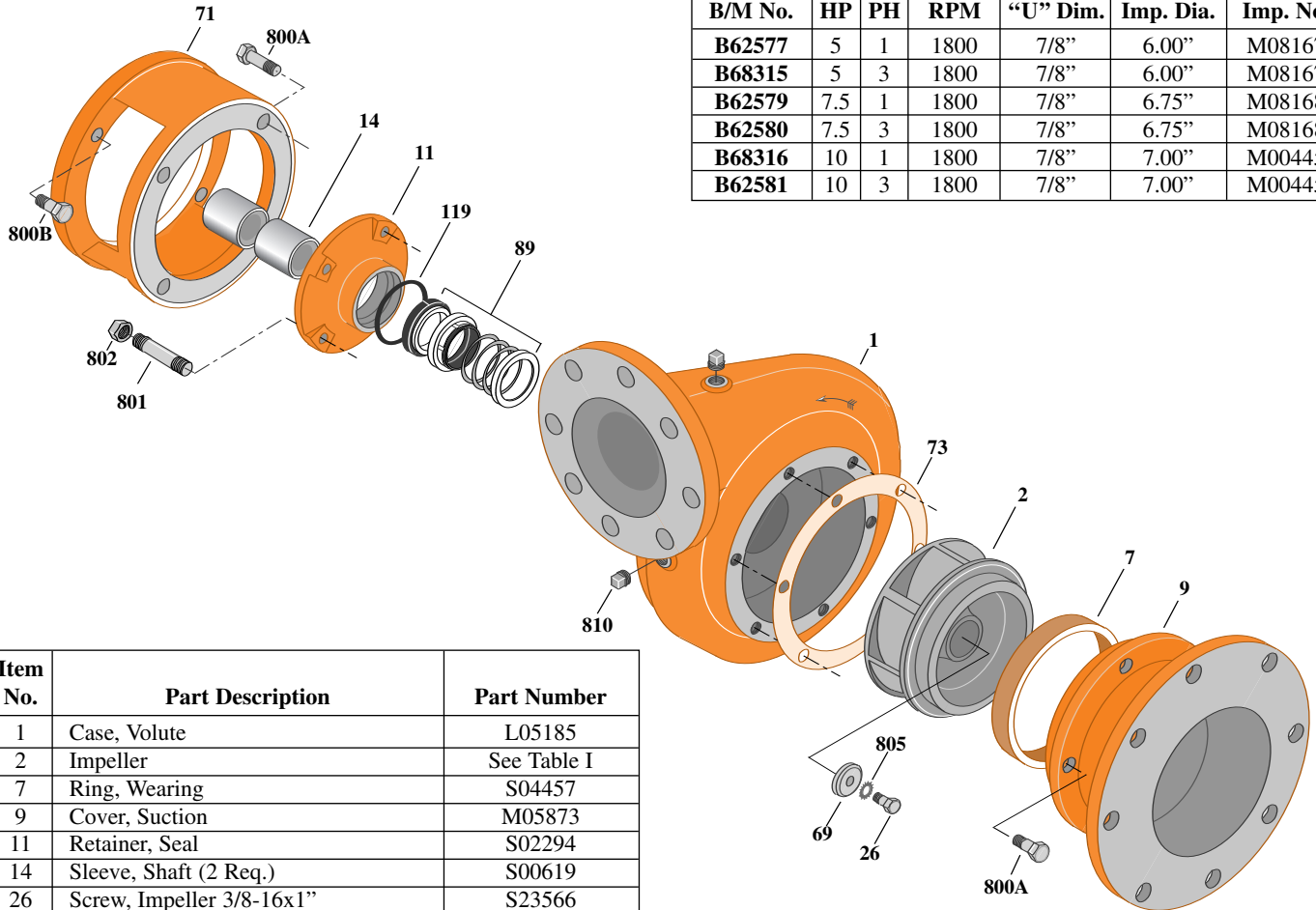
B5WPS

Flanged Case

Mechanical Shaft Seal Construction

TABLE I

| B/M No. | HP | PH | RPM | "U" Dim. | Imp. Dia. | Imp. No. |
|---------|-----|----|------|----------|-----------|----------|
| B62577 | 5 | 1 | 1800 | 7/8" | 6.00" | M08167 |
| B68315 | 5 | 3 | 1800 | 7/8" | 6.00" | M08167 |
| B62579 | 7.5 | 1 | 1800 | 7/8" | 6.75" | M08168 |
| B62580 | 7.5 | 3 | 1800 | 7/8" | 6.75" | M08168 |
| B68316 | 10 | 1 | 1800 | 7/8" | 7.00" | M00445 |
| B62581 | 10 | 3 | 1800 | 7/8" | 7.00" | M00445 |



| Item No. | Part Description | Part Number |
|----------|--|--------------|
| 1 | Case, Volute | L05185 |
| 2 | Impeller | See Table I |
| 7 | Ring, Wearing | S04457 |
| 9 | Cover, Suction | M05873 |
| 11 | Retainer, Seal | S02294 |
| 14 | Sleeve, Shaft (2 Req.) | S00619 |
| 26 | Screw, Impeller 3/8-16x1" | S23566 |
| 32 | Key, 3/16x1-1/4" (See Note) | S34383 |
| 69 | Washer, Lock | S06314 |
| 71 | Bracket | See Table II |
| 73 | Gasket, Suction Cover | S01559 |
| 89 | Seal, Mechanical Shaft | S32013 |
| 119 | O-Ring | S14804 |
| 800A | Capscrew, 3/8-16x1" (10 Req.) | S26826 |
| 800B | Capscrew, 1/2-13x1-1/4" (4 Req.) | S26914 |
| 801 | Stud, 3/8-16x3" (4 Req.) | S04439 |
| 802 | Nut, Hex 3/8-16 (4 Req.) | S23343 |
| 805 | Washer, Lock | S23036 |
| 810 | Plug, Pipe 1/4 NPT (5 Req.) | S23715 |
| 820 | Connector, Comp. Fitting | S24013 |
| 821 | Elbow, Tubing | S24129 |
| 822 | Tubing, Copper | S20677 |
| • | Plug, Pipe 1/2 NPT (On Suction Cover) (Not Illustrated) | S23717 |

TABLE II

| HP | PH | Bracket No. | "AK" Fit | "U" Dim. | Motor Frame |
|-----|----|-------------|----------|----------|-------------|
| 5 | 1 | M00631 | 8-1/2" | 7/8" | 213TC |
| 5 | 3 | M00631 | 8-1/2" | 7/8" | 184TC |
| 7.5 | 1 | M00631 | 8-1/2" | 7/8" | 215TC |
| 7.5 | 3 | M00631 | 8-1/2" | 7/8" | 213TC |
| 10 | 1 | M00631 | 8-1/2" | 7/8" | 215TC |
| 10 | 3 | M00631 | 8-1/2" | 7/8" | 215TC |

NOTE: For an explanation of the tabulated material found on this page and for impeller key location, refer to *Supplement A* located at the beginning of this section.



TYPE "B" SINGLE STAGE CENTRIFUGAL PUMP Electric Motor Drive

| | |
|----------------|-------------------|
| Section | CC |
| Page | 330.3 |
| Date | September 1, 1995 |
| Supersedes/New | |

SILICON BRONZE IMPELLER

B5WP

Flanged Case

Packing Construction

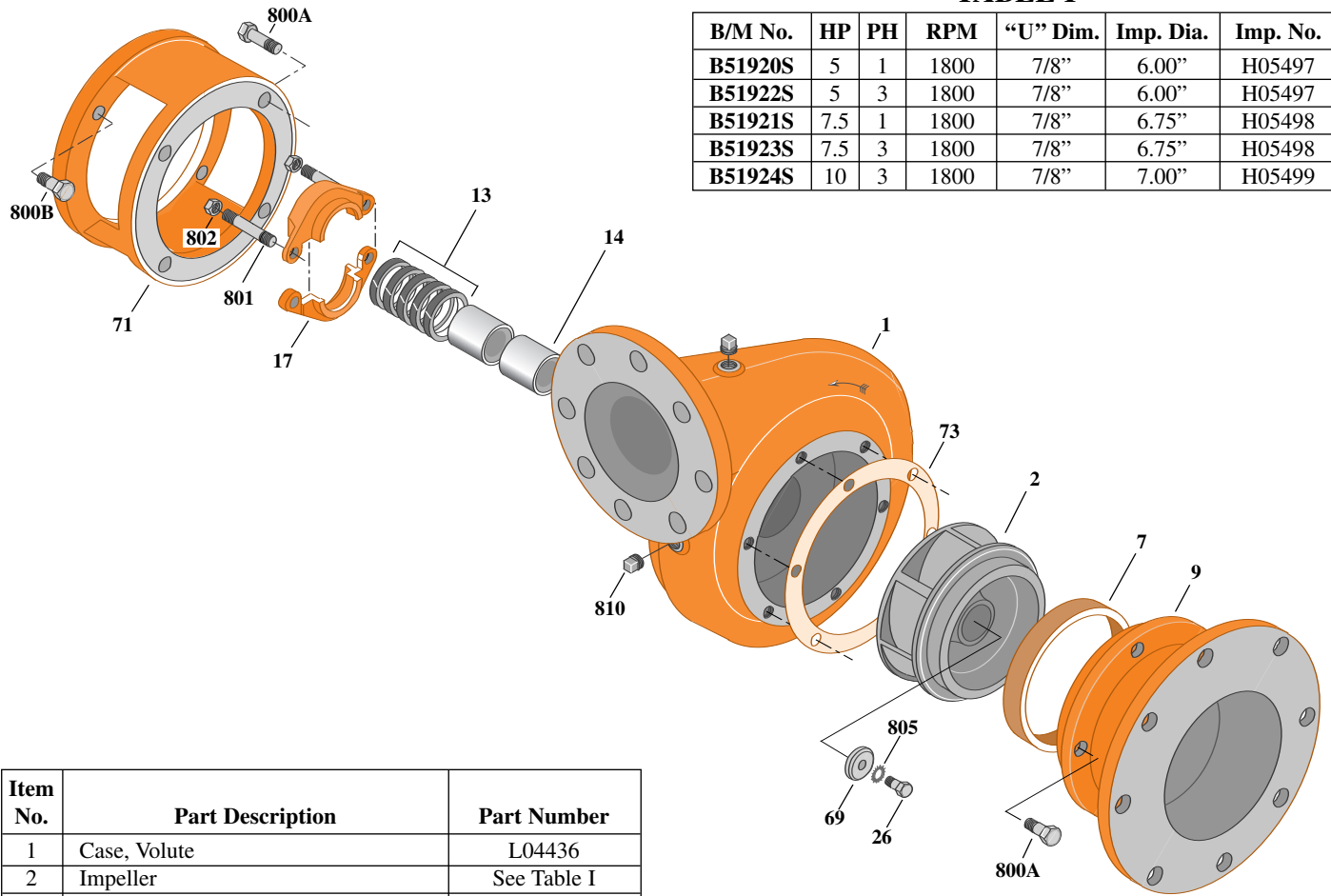


TABLE I

| B/M No. | HP | PH | RPM | "U" Dim. | Imp. Dia. | Imp. No. |
|----------------|-----|----|------|----------|-----------|----------|
| B51920S | 5 | 1 | 1800 | 7/8" | 6.00" | H05497 |
| B51922S | 5 | 3 | 1800 | 7/8" | 6.00" | H05497 |
| B51921S | 7.5 | 1 | 1800 | 7/8" | 6.75" | H05498 |
| B51923S | 7.5 | 3 | 1800 | 7/8" | 6.75" | H05498 |
| B51924S | 10 | 3 | 1800 | 7/8" | 7.00" | H05499 |

| Item No. | Part Description | Part Number |
|----------|--|--------------|
| 1 | Case, Volute | L04436 |
| 2 | Impeller | See Table I |
| 7 | Ring, Wearing | S04457 |
| 9 | Cover, Suction | M05873 |
| 13 | Rings, Packing (Set of 5) | S14109 |
| 14 | Sleeve, Shaft (2 Req.) | S00619 |
| 17 | Gland, Packing | S00393 |
| 26 | Screw, Impeller 3/8 - 16 x 1" | S23566 |
| 32 | Key, 3/16 x 1-1/4" (See Note) | S34383 |
| 69 | Washer, Impeller | S06314 |
| 71 | Bracket | See Table II |
| 73 | Gasket, Suction Cover | S01559 |
| 800A | Capscrew, 3/8 - 16 x 1" (10 Req.) | S26826 |
| 800B | Capscrew, 1/2 - 13 x 1-1/4" (4 Req.) | S26914 |
| 801 | Stud, 3/8 - 16 x 3-1/4" (2 Req.) | S04440 |
| 802 | Nut, Hex 3/8 - 16 (2 Req.) | S23343 |
| 805 | Washer, Lock | S23036 |
| 810A | Plug, Pipe 1/4 NPT (4 Req.) | S23715 |
| • | Plug, Pipe 1/2 NPT (Not Illustrated) (On Suction Cover) | S23717 |

TABLE II

| HP | PH | Bracket No. | "AK" Fit | "U" Dim. | Motor Frame |
|-----|----|-------------|----------|----------|-------------|
| 5 | 1 | M00631 | 8-1/2" | 7/8" | 213TC |
| 5 | 3 | M00631 | 8-1/2" | 7/8" | 184TC |
| 7.5 | 1 | M00631 | 8-1/2" | 7/8" | 215TC |
| 7.5 | 3 | M00631 | 8-1/2" | 7/8" | 213TC |
| 10 | 3 | M00631 | 8-1/2" | 7/8" | 215TC |

NOTE: For an explanation of the tabulated material found on this page and for impeller key location, refer to *Supplement A* located at the beginning of this section.



TYPE "B" SINGLE STAGE CENTRIFUGAL PUMP Electric Motor Drive

| | |
|----------------|-------------------|
| Section | CC |
| Page | 330.4 |
| Date | September 1, 1995 |
| Supersedes/New | |

SILICON BRONZE IMPELLER

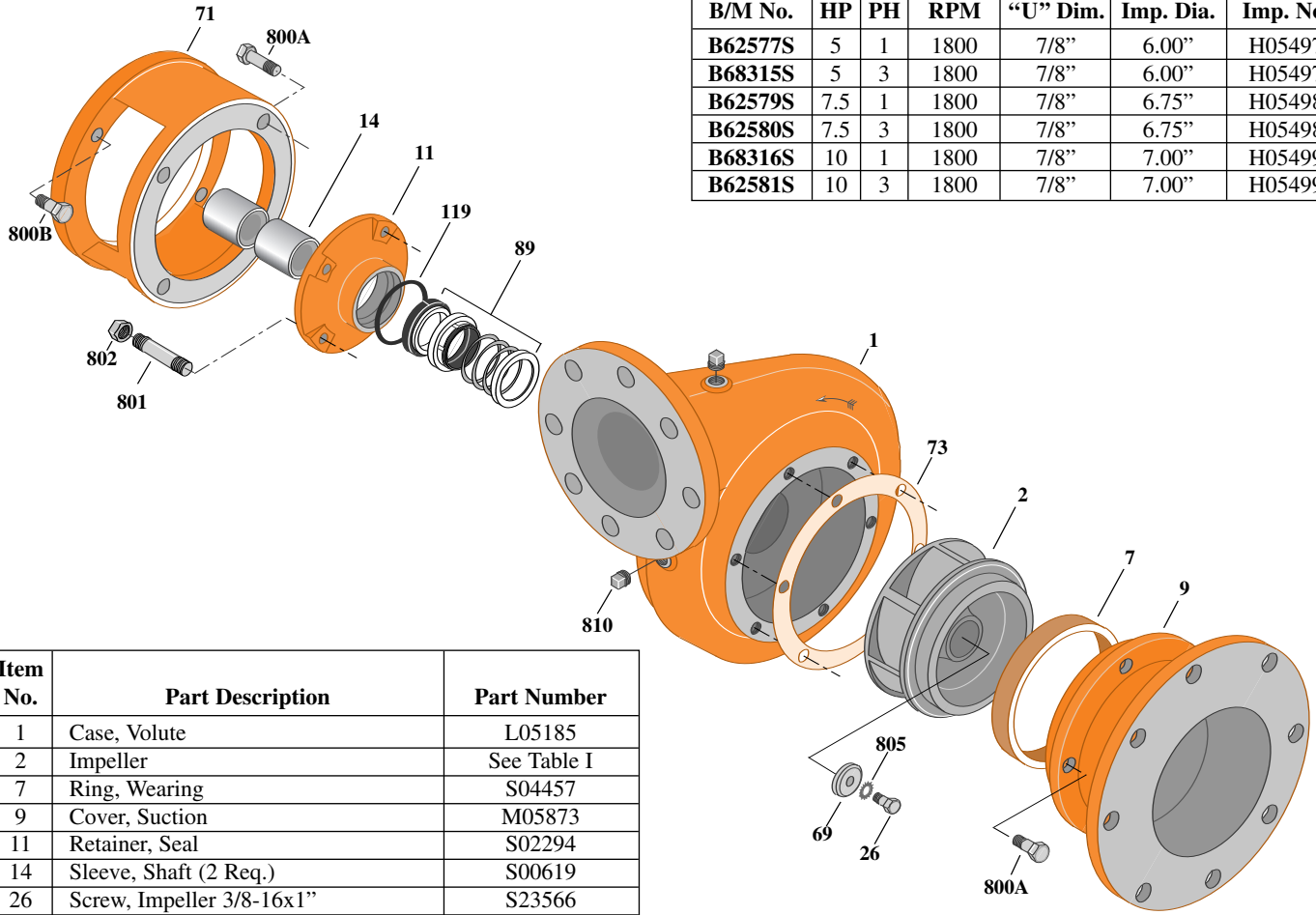
B5WPS

Flanged Case

Mechanical Shaft Seal Construction

TABLE I

| B/M No. | HP | PH | RPM | "U" Dim. | Imp. Dia. | Imp. No. |
|---------|-----|----|------|----------|-----------|----------|
| B62577S | 5 | 1 | 1800 | 7/8" | 6.00" | H05497 |
| B68315S | 5 | 3 | 1800 | 7/8" | 6.00" | H05497 |
| B62579S | 7.5 | 1 | 1800 | 7/8" | 6.75" | H05498 |
| B62580S | 7.5 | 3 | 1800 | 7/8" | 6.75" | H05498 |
| B68316S | 10 | 1 | 1800 | 7/8" | 7.00" | H05499 |
| B62581S | 10 | 3 | 1800 | 7/8" | 7.00" | H05499 |



| Item No. | Part Description | Part Number |
|----------|--|--------------|
| 1 | Case, Volute | L05185 |
| 2 | Impeller | See Table I |
| 7 | Ring, Wearing | S04457 |
| 9 | Cover, Suction | M05873 |
| 11 | Retainer, Seal | S02294 |
| 14 | Sleeve, Shaft (2 Req.) | S00619 |
| 26 | Screw, Impeller 3/8-16x1" | S23566 |
| 32 | Key, 3/16x1-1/4" (See Note) | S34383 |
| 69 | Washer, Lock | S06314 |
| 71 | Bracket | See Table II |
| 73 | Gasket, Suction Cover | S01559 |
| 89 | Seal, Mechanical Shaft | S32013 |
| 119 | O-Ring | S14804 |
| 800A | Capscrew, 3/8-16x1" (10 Req.) | S26826 |
| 800B | Capscrew, 1/2-13x1-1/4" (4 Req.) | S26914 |
| 801 | Stud, 3/8-16x3" (4 Req.) | S04439 |
| 802 | Nut, Hex 3/8-16 (4 Req.) | S23343 |
| 805 | Washer, Lock | S23036 |
| 810 | Plug, Pipe 1/4 NPT (5 Req.) | S23715 |
| 820 | Connector, Comp. Fitting | S24013 |
| 821 | Elbow, Tubing | S24129 |
| 822 | Tubing, Copper | S20677 |
| • | Plug, Pipe 1/2 NPT (On Suction Cover) (Not Illustrated) | S23717 |

TABLE II

| HP | PH | Bracket No. | "AK" Fit | "U" Dim. | Motor Frame |
|-----|----|-------------|----------|----------|-------------|
| 5 | 1 | M00631 | 8-1/2" | 7/8" | 213TC |
| 5 | 3 | M00631 | 8-1/2" | 7/8" | 184TC |
| 7.5 | 1 | M00631 | 8-1/2" | 7/8" | 215TC |
| 7.5 | 3 | M00631 | 8-1/2" | 7/8" | 213TC |
| 10 | 1 | M00631 | 8-1/2" | 7/8" | 215TC |
| 10 | 3 | M00631 | 8-1/2" | 7/8" | 215TC |

NOTE: For an explanation of the tabulated material found on this page and for impeller key location, refer to *Supplement A* located at the beginning of this section.



TYPE "B" SINGLE STAGE CENTRIFUGAL PUMP Electric Motor Drive

| | |
|-------------------|-----------------|
| Section | CC |
| Page | 330.5 |
| Date | January 1, 2004 |
| Supersedes 9/1/97 | |

SILICON BRONZE IMPELLER

B5WP

Flanged Case

Packing Construction

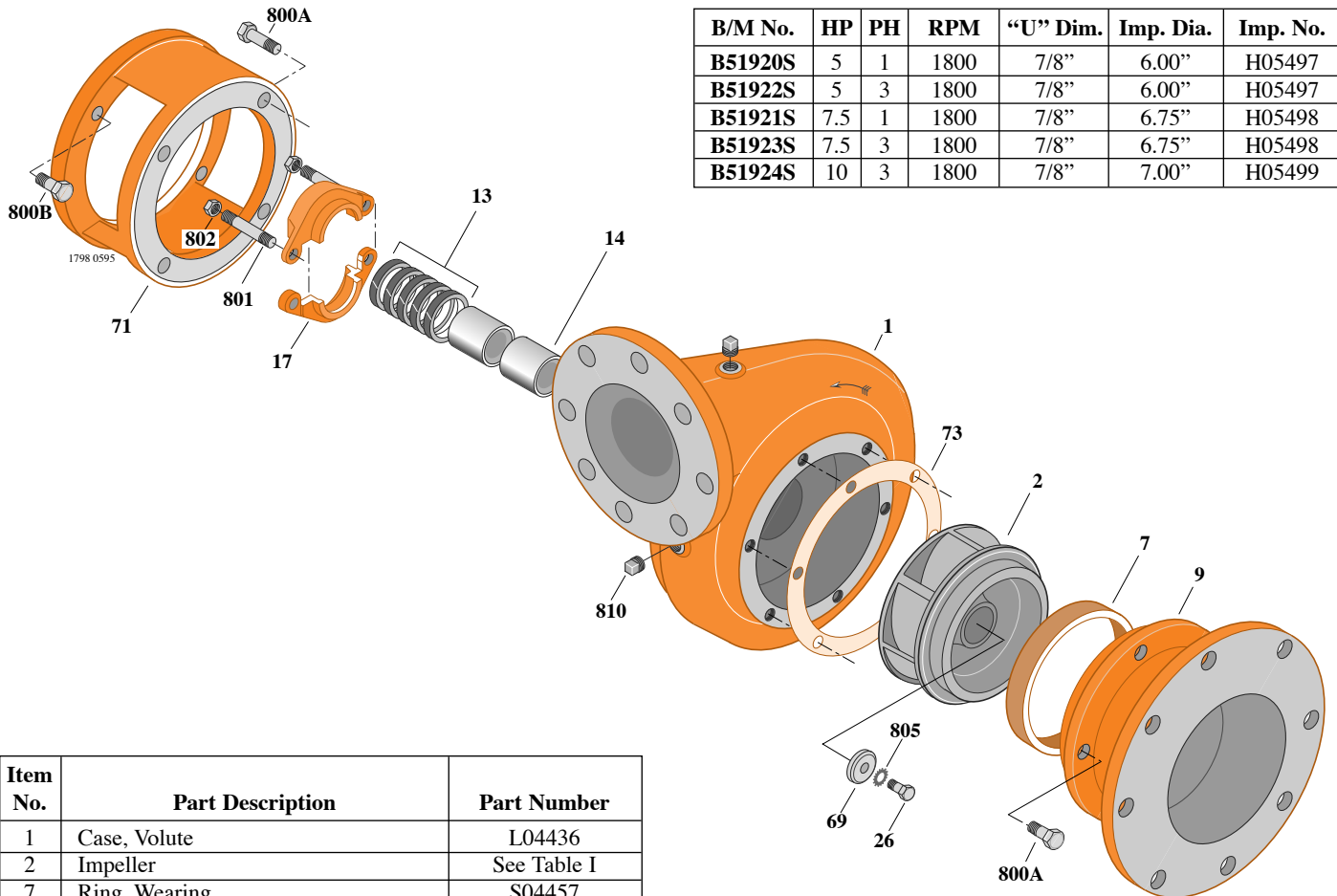


TABLE I

| B/M No. | HP | PH | RPM | "U" Dim. | Imp. Dia. | Imp. No. |
|----------------|-----|----|------|----------|-----------|----------|
| B51920S | 5 | 1 | 1800 | 7/8" | 6.00" | H05497 |
| B51922S | 5 | 3 | 1800 | 7/8" | 6.00" | H05497 |
| B51921S | 7.5 | 1 | 1800 | 7/8" | 6.75" | H05498 |
| B51923S | 7.5 | 3 | 1800 | 7/8" | 6.75" | H05498 |
| B51924S | 10 | 3 | 1800 | 7/8" | 7.00" | H05499 |

| Item No. | Part Description | Part Number |
|----------|--------------------------------------|--------------|
| 1 | Case, Volute | L04436 |
| 2 | Impeller | See Table I |
| 7 | Ring, Wearing | S04457 |
| 9 | Cover, Suction | M05873 |
| 13 | Rings, Packing (Set of 5) | S14109 |
| 14 | Sleeve, Shaft (2 Req.) | S00619 |
| 17 | Gland, Packing | B82469 |
| 26 | Screw, Impeller 3/8 - 16 x 1" | S23566 |
| 32 | Key, 3/16 x 1-1/4" (See Note) | S34383 |
| 69 | Washer, Impeller | S06314 |
| 71 | Bracket | See Table II |
| 73 | Gasket, Suction Cover | S01559 |
| 800A | Capscrew, 3/8 - 16 x 1" (10 Req.) | S26826 |
| 800B | Capscrew, 1/2 - 13 x 1-1/4" (4 Req.) | S26914 |
| 801 | Stud, 3/8 - 16 x 3-1/4" (2 Req.) | S04440 |
| 802 | Nut, Hex 3/8 - 16 (2 Req.) | S23343 |
| 805 | Washer, Lock | S23036 |
| 810 | Plug, Pipe 1/4" NPT (4 Req.) | S23715 |
| • | Plug, Pipe 1/2" NPT (Suction Cover) | S23717 |

TABLE II

| HP | PH | Bracket No. | "AK" Fit | "U" Dim. | Motor Frame |
|-----|----|-------------|----------|----------|-------------|
| 5 | 1 | M00631 | 8-1/2" | 7/8" | 213TC |
| 5 | 3 | M00631 | 8-1/2" | 7/8" | 184TC |
| 7.5 | 1 | M00631 | 8-1/2" | 7/8" | 215TC |
| 7.5 | 3 | M00631 | 8-1/2" | 7/8" | 213TC |
| 10 | 3 | M00631 | 8-1/2" | 7/8" | 215TC |

NOTE: For an explanation of the tabulated material found on this page and for impeller key location, refer to *Supplement A* located at the beginning of this section.

• Not illustrated.



TYPE "B" SINGLE STAGE CENTRIFUGAL PUMP Electric Motor Drive

| | |
|-------------------|-----------------|
| Section | CC |
| Page | 330.6 |
| Date | January 1, 2004 |
| Supersedes 9/1/97 | |

SILICON BRONZE IMPELLER

B5WPS

Flanged Case

Mechanical Shaft Seal Construction

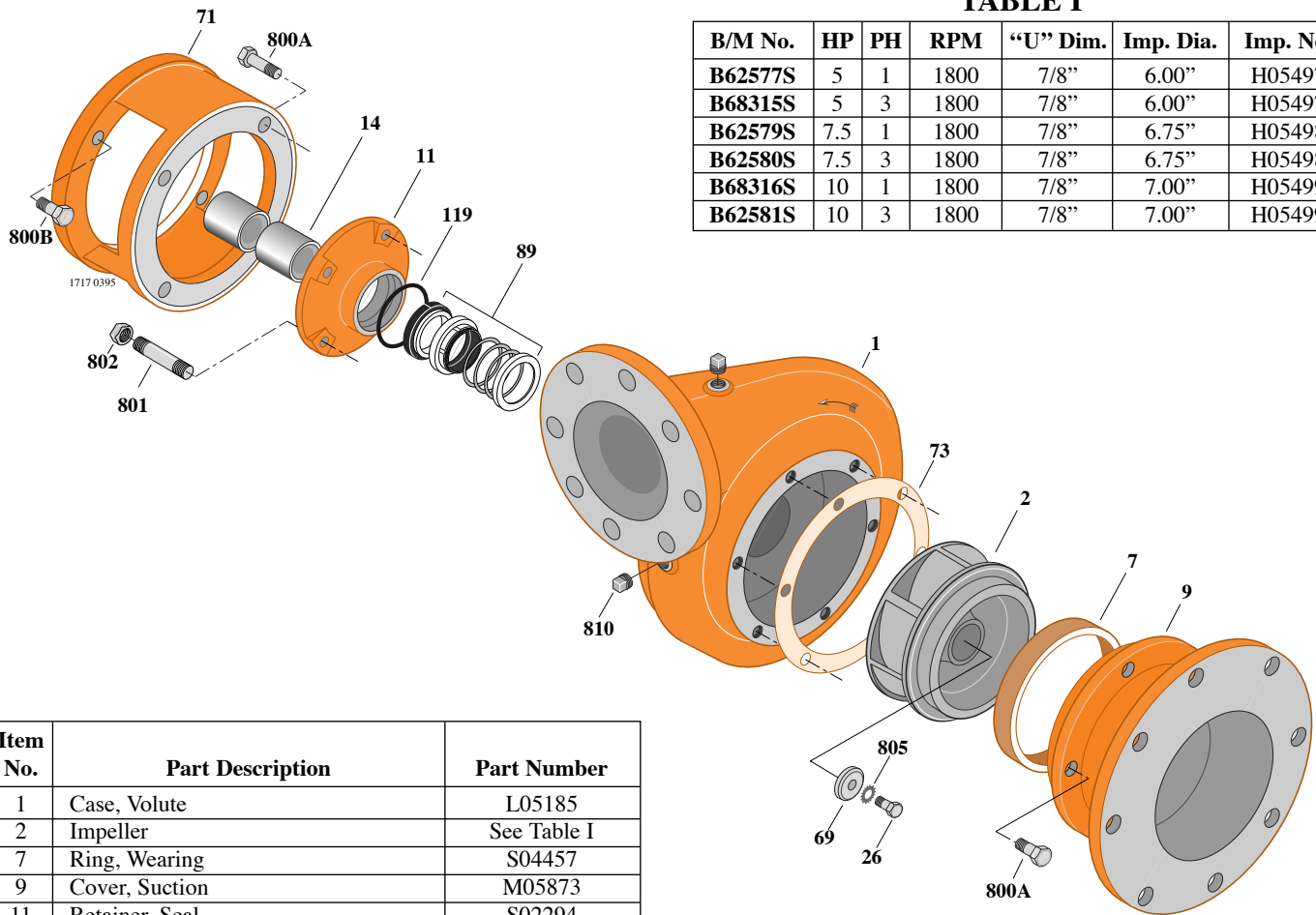


TABLE I

| B/M No. | HP | PH | RPM | "U" Dim. | Imp. Dia. | Imp. No. |
|----------------|-----|----|------|----------|-----------|----------|
| B62577S | 5 | 1 | 1800 | 7/8" | 6.00" | H05497 |
| B68315S | 5 | 3 | 1800 | 7/8" | 6.00" | H05497 |
| B62579S | 7.5 | 1 | 1800 | 7/8" | 6.75" | H05498 |
| B62580S | 7.5 | 3 | 1800 | 7/8" | 6.75" | H05498 |
| B68316S | 10 | 1 | 1800 | 7/8" | 7.00" | H05499 |
| B62581S | 10 | 3 | 1800 | 7/8" | 7.00" | H05499 |

| Item No. | Part Description | Part Number |
|----------|-------------------------------------|--------------|
| 1 | Case, Volute | L05185 |
| 2 | Impeller | See Table I |
| 7 | Ring, Wearing | S04457 |
| 9 | Cover, Suction | M05873 |
| 11 | Retainer, Seal | S02294 |
| 14 | Sleeve, Shaft (2 Req.) | S00619 |
| 26 | Screw, Impeller 3/8-16x1" | S23566 |
| 32 | Key, 3/16x1-1/4" (See Note) | S34383 |
| 69 | Washer, Lock | S06314 |
| 71 | Bracket | See Table II |
| 73 | Gasket, Suction Cover | S01559 |
| 89 | Seal, Mechanical Shaft | S32013 |
| 119 | O-Ring | S14804 |
| 800A | Capscrew, 3/8-16x1" (10 Req.) | S26826 |
| 800B | Capscrew, 1/2-13x1-1/4" (4 Req.) | S26914 |
| 801 | Stud, 3/8-16x3" (4 Req.) | S04439 |
| 802 | Nut, Hex 3/8-16 (4 Req.) | S23343 |
| 805 | Washer, Lock | S23036 |
| 810 | Plug, Pipe 1/4" NPT (4 Req.) | S23715 |
| • | Plug, Pipe 1/2" NPT (Suction Cover) | S23717 |
| • | Plug, Pipe 1/8" NPT (Volute) | S23714 |

• Not illustrated.

TABLE II

| HP | PH | Bracket No. | "AK" Fit | "U" Dim. | Motor Frame |
|-----|----|-------------|----------|----------|-------------|
| 5 | 1 | M00631 | 8-1/2" | 7/8" | 213TC |
| 5 | 3 | M00631 | 8-1/2" | 7/8" | 184TC |
| 7.5 | 1 | M00631 | 8-1/2" | 7/8" | 215TC |
| 7.5 | 3 | M00631 | 8-1/2" | 7/8" | 213TC |
| 10 | 1 | M00631 | 8-1/2" | 7/8" | 215TC |
| 10 | 3 | M00631 | 8-1/2" | 7/8" | 215TC |

NOTE: For an explanation of the tabulated material found on this page and for impeller key location, refer to *Supplement A* located at the beginning of this section.

NOTE: For seal flush line details, see *Supplement D*.



TYPE "B" SINGLE STAGE CENTRIFUGAL PUMP Electric Motor Drive

| | |
|-------------------|-----------------|
| Section | CC |
| Page | 340.1 |
| Date | January 1, 2004 |
| Supersedes 6/1/95 | |

CAST IRON IMPELLER

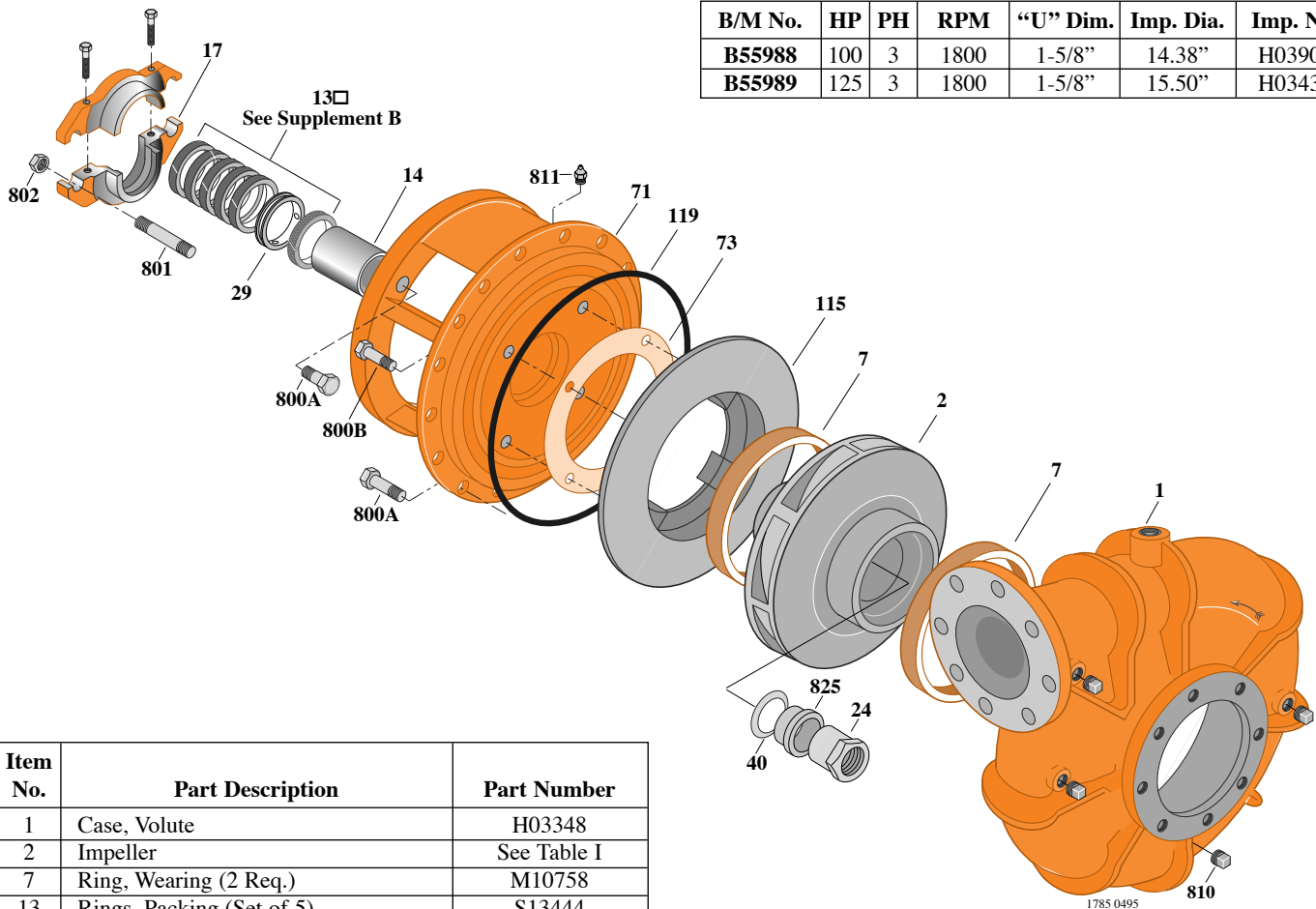
B5EXPBH

Flanged Case

Packing Construction

TABLE I

| B/M No. | HP | PH | RPM | "U" Dim. | Imp. Dia. | Imp. No. |
|---------|-----|----|------|----------|-----------|----------|
| B55988 | 100 | 3 | 1800 | 1-5/8" | 14.38" | H03901 |
| B55989 | 125 | 3 | 1800 | 1-5/8" | 15.50" | H03433 |



| Item No. | Part Description | Part Number |
|----------|---------------------------------------|--------------|
| 1 | Case, Volute | H03348 |
| 2 | Impeller | See Table I |
| 7 | Ring, Wearing (2 Req.) | M10758 |
| 13 | Rings, Packing (Set of 5) | S13444 |
| 14 | Sleeve, Shaft | S07073 |
| 17 | Gland, Packing | B82473 |
| 29 | Ring, Lantern | S19198 |
| 32 | Key, 3/8 x 2-1/4" (See Note) | S23940 |
| 40 | Deflector | S19864 |
| 71 | Bracket | See Table II |
| 73 | Gasket, Balance Ring | S09943 |
| 115 | Ring, Balance | M06728 |
| 119 | O-Ring | S14444 |
| 800A | Capscrew, 3/8 - 16 x 7/8" (4 Req.) | S26825 |
| 800B | Capscrew, 5/8 - 11 x 1-3/4" (20 Req.) | S27001 |
| 801 | Stud, 1/2 - 13 x 3-3/4" (2 Req.) | S08305 |
| 802A | Nut, Hex 1/2 - 13 x 7/16" (2 Req.) | S23347 |
| 802B | Nut, Lock 1-1/4 - 12 | S19863 |
| 810 | Plug, Pipe 1/2 NPT (4 Req.) | S23717 |
| 811 | Fitting, Grease | S23700 |
| 825 | Sleeve, Impeller Locknut | S19865 |

TABLE II

| HP | PH | Bracket No. | "AK" Fit | "U" Dim. | Motor Frame |
|-----|----|-------------|----------|----------|-------------|
| 100 | 3 | H03684 | 12-1/2" | 1-5/8" | 404TC |
| 125 | 3 | H03684 | 12-1/2" | 1-5/8" | 405TC |

NOTE: For an explanation of the tabulated material found on this page and for impeller key location, refer to *Supplement A* located at the beginning of this section.



Type "B" Single Stage Centrifugal Pump Electric Motor Drive

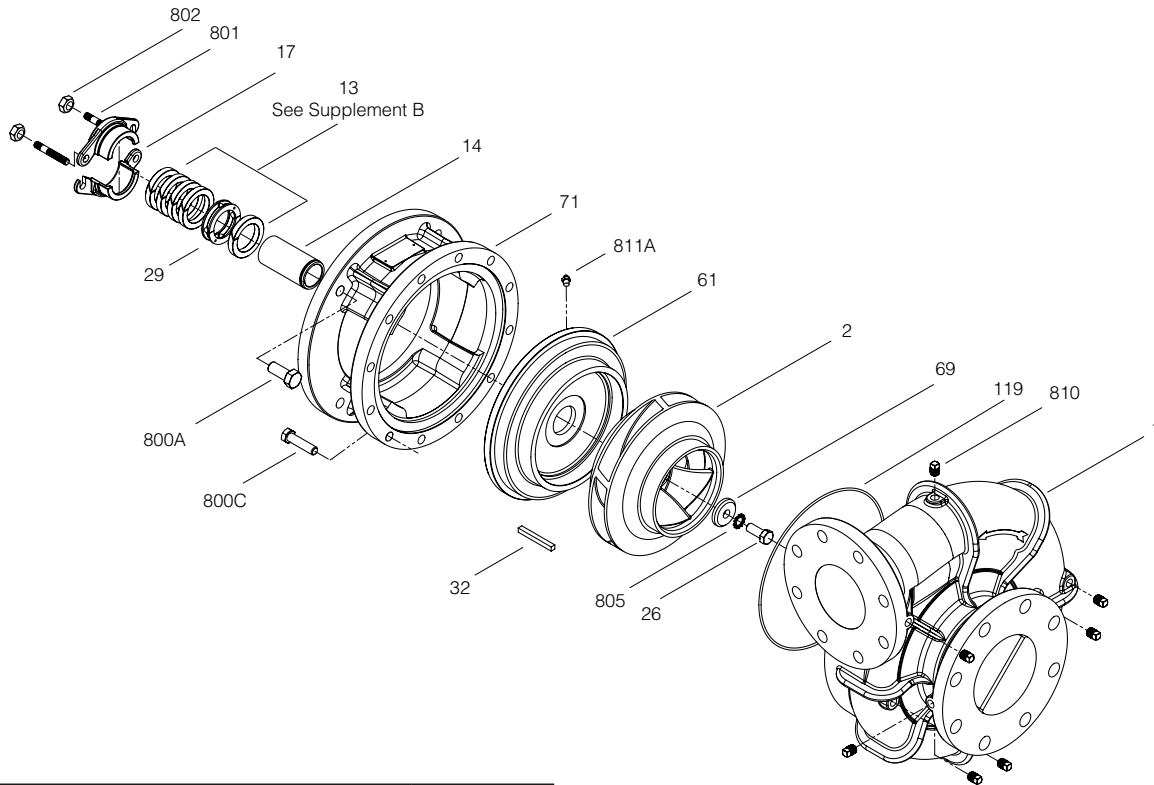
| | |
|---------|------------------|
| Section | CC |
| Page | 348.1 |
| Date | October 14, 2010 |
| | New |

CAST IRON IMPELLER

B6ZPBHH

Flanged Case

Packing Construction



6230 0710

| Item No. | Part Description | Part Number |
|----------|--|--------------|
| 1 | Case, Volute | M15050 |
| 2 | Impeller | See Table I |
| 13 | Ring, Packing (Set of 4) | S13435 |
| 14 | Sleeve, Shaft (Note 2) | B85741 |
| 17 | Gland, Packing | B82740 |
| 26 | Screw, Impeller | S23621 |
| 29 | Ring, Lantern | S19200 |
| 32 | Key, 1/4" X 2-1/4" | S23677 |
| 61 | Plate, Seal | M15047 |
| 69 | Washer, Impeller | S06319 |
| 71 | Bracket | See Table II |
| 119 | O-Ring | M15099 |
| 800A | Screw, 1/2-13NC X 1-1/2" LG CRS (4 rqd) | S26916 |
| 800C | Screw, 1/2-13NC X 2" LG CRS (12 rqd) | S26920 |
| 801 | Stud, 3/8-16NC X 2-1/2" LG 416SS (2 rqd) | S04438 |
| 802 | Nut, Hex, Lock 3/8-16 SS (2 rqd) | M13771 |
| 805 | Washer, Lock | S23038 |
| 810 | Plug, Pipe | S23715 |
| 811A | Fitting, Grease | S23700 |

Table I

| B/M No. | HP | PH | RPM | Imp. Dia. | Imp. No. |
|---------|----|----|------|--------------|----------|
| B85703 | 40 | 3 | 1800 | 9.63 | M15053 |
| B85705 | 30 | 3 | 1800 | 9.13 | M15392 |
| B85707 | 25 | 3 | 1800 | 8.56 | M15393 |
| B85709 | 20 | 3 | 1800 | 8.125 X 7.75 | M15394 |

Table II

| HP | PH | Bracket No. | "AK" Dim. | "U" Dim. | Motor Frame |
|----|----|-------------|-----------|----------|-------------|
| 40 | 3 | M15045 | 12.50 | 1.25 | 324JP |
| 30 | 3 | M15050 | 12.50 | 1.25 | 286JP |
| 25 | 3 | M15050 | 12.50 | 1.25 | 284JP |
| 20 | 3 | M15044 | 8.50 | 1.25 | 256JP |

NOTES

- 1 Impeller kit B85754 includes items 26, 32, 69, 119, 805
- 2 Shaft sleeve kit B85741 includes item 14, adhesive and instruction sheet



Type "B" Single Stage Centrifugal Pump Electric Motor Drive

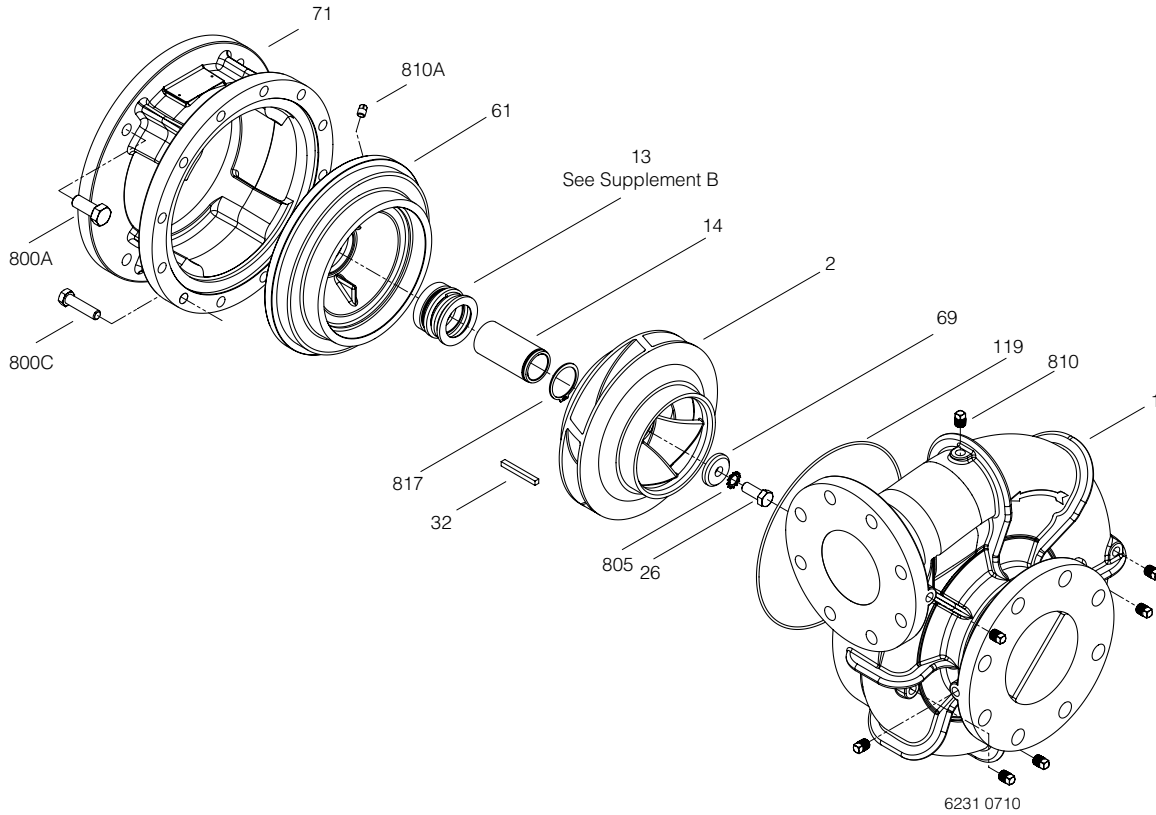
| | |
|---------|------------------|
| Section | CC |
| Page | 348.2 |
| Date | October 14, 2010 |
| | New |

CAST IRON IMPELLER

B6ZPBHHS

Flanged Case

Mechanical Shaft Seal Construction



| Item No. | Part Description | Part Number |
|----------|--|--------------|
| 1 | Case, Volute | M15050 |
| 2 | Impeller | See Table I |
| 13 | Seal, Shaft | S32015 |
| 14 | Sleeve, Shaft (Note 2) | B85741 |
| 26 | Screw, Impeller | S23621 |
| 32 | Key, Impeller | S23677 |
| 61 | Plate, Seal | M15046 |
| 69 | Washer, Impeller | S06319 |
| 71 | Bracket | See Table II |
| 119 | O-Ring | M15099 |
| 800A | Screw, 1/2-13NC X 1-1/2 LG CRS (4 rqd) | S26916 |
| 800C | Screw, 1/2-13NC X 2 LG CRS (12 rqd) | S26920 |
| 805 | Washer, Lock | S23038 |
| 810 | Plug, Pipe | S23715 |
| 810A | Plug, Pipe | U78-56ZPS |
| 817 | Ring, Retaining | S16767 |

Table I

| B/M No. | HP | PH | RPM | Imp. Dia. | Imp. No. |
|---------|----|----|------|--------------|----------|
| B85704 | 40 | 3 | 1800 | 9.63 | M15053 |
| B85706 | 30 | 3 | 1800 | 9.13 | M15392 |
| B85708 | 25 | 3 | 1800 | 8.56 | M15393 |
| B85710 | 20 | 3 | 1800 | 8.125 X 7.75 | M15394 |

Table II

| HP | PH | Bracket No. | "AK" Dim. | "U" Dim. | Motor Frame |
|----|----|-------------|-----------|----------|-------------|
| 40 | 3 | M15045 | 12.50 | 1.25 | 324JP |
| 30 | 3 | M15045 | 12.50 | 1.25 | 286JP |
| 25 | 3 | M15045 | 12.50 | 1.25 | 284JP |
| 20 | 3 | M15044 | 8.50 | 1.25 | 256JP |

NOTES

- 1 Impeller kit B85754 includes items 26, 32, 69, 119, 805
- 2 Shaft sleeve kit B85741 includes item 14, adhesive and instruction sheet



Type "B" Single Stage Centrifugal Pump Electric Motor Drive

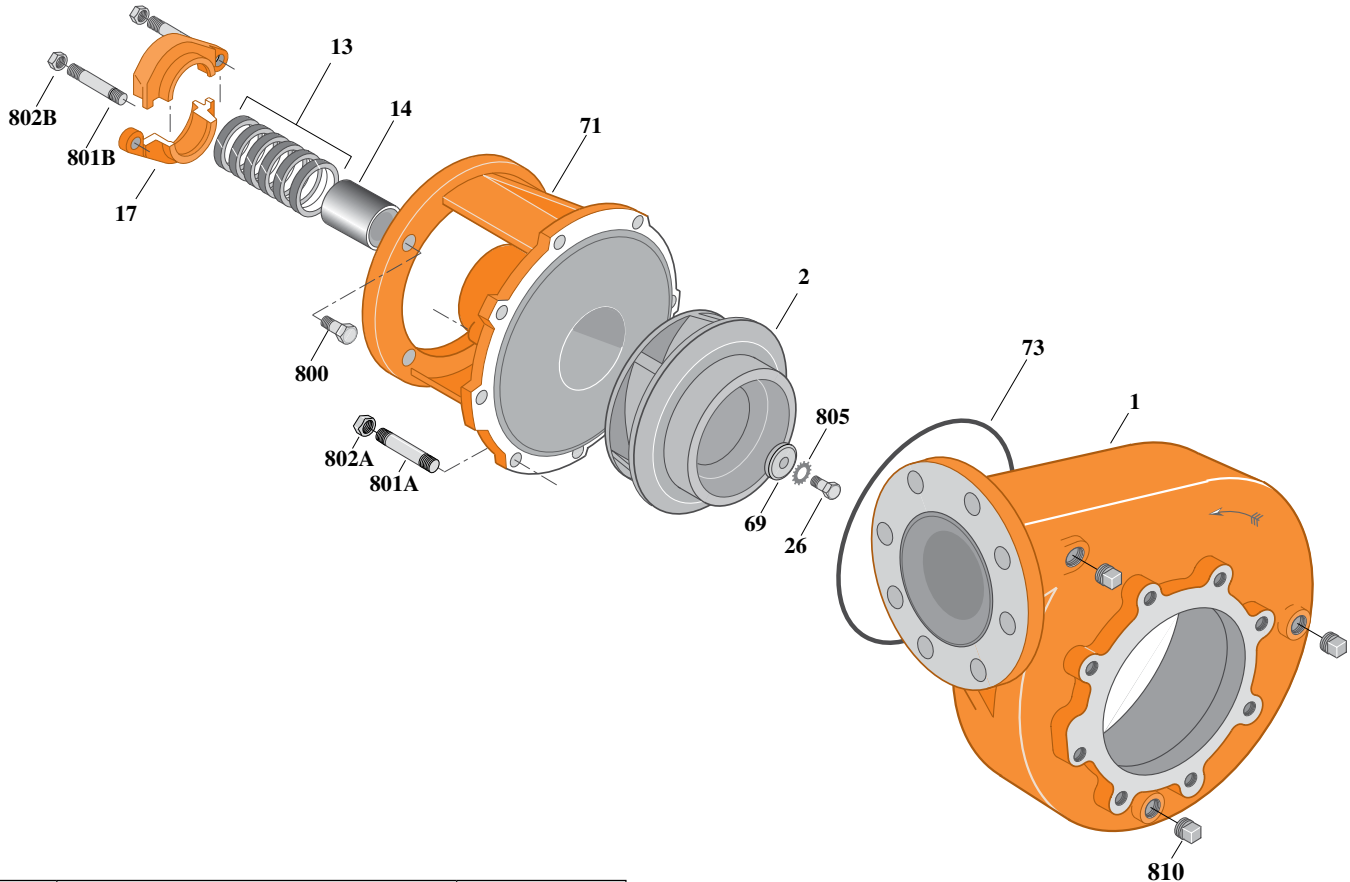
| | |
|-------------------|--------------|
| Section | CC |
| Page | 350.1 |
| Date | July 1, 2011 |
| Supersedes 1/1/04 | |

CAST IRON IMPELLER

B6ZPL

Flanged Case

Packing Construction



| Item | Part Description | Part Number |
|------|--------------------------------------|--------------|
| 1 | Case, Volute | H05065 |
| 2 | Impeller | See Table I |
| 13 | Rings, Packing (Set of 6) | S13470 |
| 14 | Sleeve, Shaft | S05149L |
| 17 | Gland, Packing | B82470 |
| 26 | Screw, Impeller 1/2 - 13 x 3" | S23631 |
| 32 | Key, 1/4 x 2-1/4" (See Note 1) | S23677 |
| 69 | Washer, Impeller | S06319 |
| 71 | Bracket | See Table II |
| 73 | O-Ring (See Note 2) | M14943 |
| 800 | Capscrew, 1/2 - 13 x 1-1/2" (4 Req.) | S26916 |
| 801A | Stud, 3/8 - 16 x 1-3/8" (8 Req.) | S09942 |
| 801B | Stud, 3/8 - 16 x 4" (2 Req.) | S08303 |
| 802A | Nut, Hex 3/8 - 16 (8 Req.) | S23103 |
| 802B | Nut, Hex 3/8 - 16 (2 Req.) | S23343 |
| 805 | Washer, Lock | S23038 |
| 810 | Plug, Pipe 1/2 NPT (3 Req.) | S23717 |

Table I

| B/M No. | HP | PH | RPM | "U" Dim. | Imp. Dia. | Imp. No. |
|---------|----|----|------|----------|-------------|----------|
| B69509 | 10 | 1 | 1800 | 1-1/4" | 6.12"x8.25" | M07718 |
| B69512 | 10 | 3 | 1800 | 1-1/4" | 6.12"x8.25" | M07718 |
| B69548 | 15 | 3 | 1800 | 1-1/4" | 7.56"x8.56" | M07719 |
| B69542 | 20 | 3 | 1800 | 1-1/4" | 8.00"x9.00" | M04348 |

Table II

| HP | PH | Bracket No. | "AK" Fit | "U" Dim. | Motor Frame |
|----|----|-------------|----------|----------|-------------|
| 10 | 1 | L03827 | 8-1/2" | 1-1/4" | 215JP |
| 10 | 3 | L03827 | 8-1/2" | 1-1/4" | 215JP |
| 15 | 3 | L03827 | 8-1/2" | 1-1/4" | 254JP |
| 20 | 3 | L03827 | 8-1/2" | 1-1/4" | 256JP |

NOTE 1: For an explanation of the tabulated material found on this page and for impeller key location, refer to *Supplement A* located at the beginning of this section.

NOTE 2: Also accepts gasket S05126 as replacement for o-ring. See *Supplement E* located at the beginning of this section.



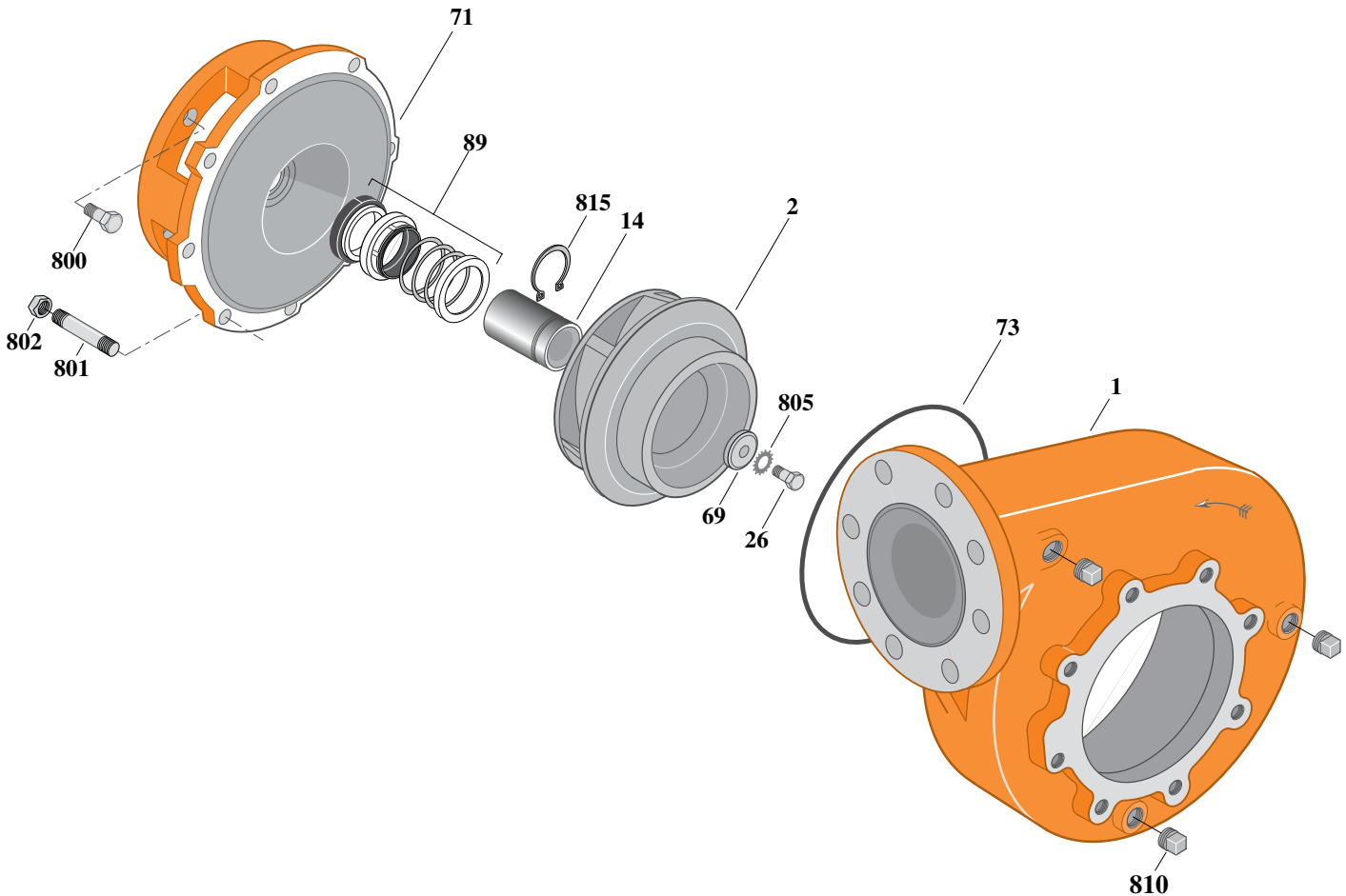
Type "B" Single Stage Centrifugal Pump Electric Motor Drive

| | |
|-------------------|--------------|
| Section | CC |
| Page | 350.2 |
| Date | July 1, 2011 |
| Supersedes 1/1/04 | |

CAST IRON IMPELLERB6ZPLS

Flanged Case

Mechanical Shaft Seal Construction



| Item | Part Description | Part Number |
|------|----------------------------------|--------------|
| 1 | Case, Volute | H05065 |
| 2 | Impeller | See Table I |
| 14 | Sleeve, Shaft | S19310L |
| 26 | Screw, Impeller 3/8 - 16 x 2" | S23574 |
| 32 | Key, 3/16 x 1-1/4" (See Note 1) | S34383 |
| 69 | Washer, Impeller | S06314 |
| 71 | Bracket | See Table II |
| 73 | O-Ring (See Note 2) | M14943 |
| 89 | Seal, Mechanical Shaft | S32014 |
| 800 | Capscrew, 1/2 - 13 x 1" (4 Req.) | S26912 |
| 801 | Stud, 3/8 - 16 x 1-3/8" (8 Req.) | S09942 |
| 802 | Nut, 3/8 - 16 (8 Req.) | S23103 |
| 805 | Washer, Lock | S23036 |
| 810 | Plug, Pipe 1/2 NPT (3 Req.) | S23717 |
| 815 | Ring, Retaining | S11207 |

Table I

| B/M No. | HP | PH | RPM | "U" Dim. | Imp. Dia. | Imp. No. |
|---------|----|----|------|----------|-------------|----------|
| B69514 | 10 | 1 | 1800 | 7/8" | 6.12"x8.25" | M07766 |
| B69515 | 10 | 3 | 1800 | 7/8" | 6.12"x8.25" | M07766 |

Table II

| HP | PH | Bracket No. | "AK" Fit | "U" Dim. | Motor Frame |
|----|----|-------------|----------|----------|-------------|
| 10 | 1 | L05331 | 8-1/2" | 7/8" | 215JM |
| 10 | 3 | L05331 | 8-1/2" | 7/8" | 215JM |

NOTE 1: For an explanation of the tabulated material found on this page and for impeller key location, refer to *Supplement A* located at the beginning of this section.

NOTE 2: Also accepts gasket S05126 as replacement for o-ring. See *Supplement E* located at the beginning of this section.



Type "B" Single Stage Centrifugal Pump Electric Motor Drive

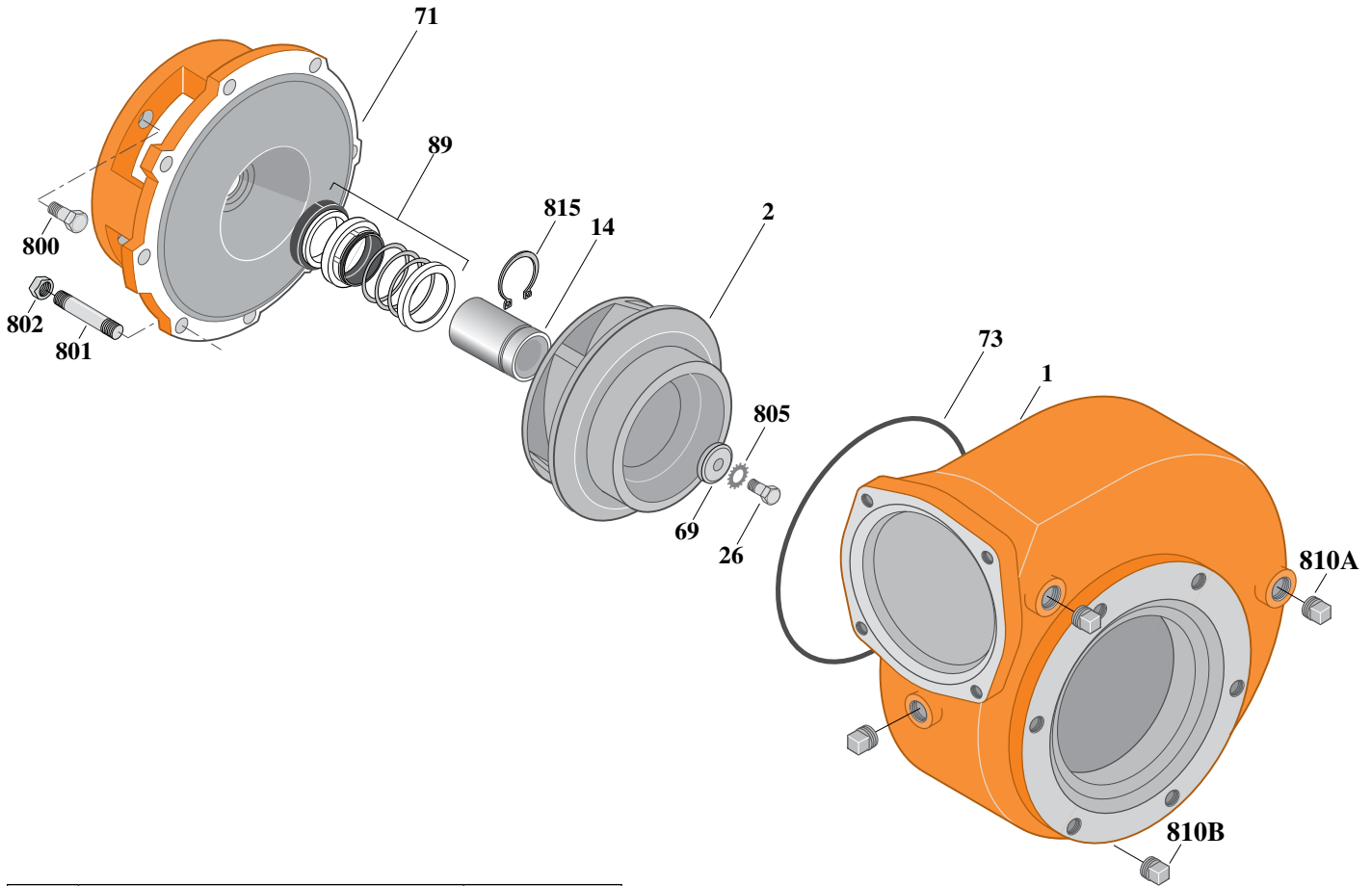
| | |
|-------------------|--------------|
| Section | CC |
| Page | 350.2.1 |
| Date | July 1, 2011 |
| Supersedes 1/1/04 | |

CAST IRON IMPELLER

B6ZPLS

Special Flanged Case

Mechanical Shaft Seal Construction



| Item | Part Description | Part Number |
|------|----------------------------------|--------------|
| 1 | Case, Volute | H01750 |
| 2 | Impeller | See Table I |
| 14 | Sleeve, Shaft | S19310L |
| 26 | Screw, Impeller 3/8 - 16 x 2" | S23574 |
| 32 | Key, 3/16 x 1-1/4" (See Note 1) | S34383 |
| 69 | Washer, Impeller | S06314 |
| 71 | Bracket | See Table II |
| 73 | O-Ring (See Note 2) | M14943 |
| 89 | Seal, Mechanical Shaft | S32014 |
| 800 | Capscrew, 1/2 - 13 x 1" (4 Req.) | S26912 |
| 801 | Stud, 3/8 - 16 x 1-3/8" (8 Req.) | S23994 |
| 802 | Nut, 3/8 - 16 (8 Req.) | S23103 |
| 805 | Washer, Lock | S23036 |
| 810A | Plug, Pipe 1/2 NPT (3 Req.) | S23717 |
| 810B | Plug, Pipe 1/2 NPT Skt. Hd. | M11137 |
| 815 | Ring, Retaining | S11207 |

Table I

| B/M No. | HP | PH | RPM | "U" Dim. | Imp. Dia. | Imp. No. |
|---------|----|----|------|----------|-------------|----------|
| B56350 | 10 | 1 | 1800 | 7/8" | 6.12"x8.25" | M07766 |
| B56351 | 10 | 3 | 1800 | 7/8" | 6.12"x8.25" | M07766 |

Table II

| HP | PH | Bracket No. | "AK" Fit | "U" Dim. | Motor Frame |
|----|----|-------------|----------|----------|-------------|
| 10 | 1 | L05331 | 8-1/2" | 7/8" | 215JM |
| 10 | 3 | L05331 | 8-1/2" | 7/8" | 215JM |

NOTE 1: For an explanation of the tabulated material found on this page and for impeller key location, refer to **Supplement A** located at the beginning of this section.

NOTE 2: Also accepts gasket S05126 as replacement for o-ring. See **Supplement E** located at the beginning of this section.



Type "B" Single Stage Centrifugal Pump Electric Motor Drive

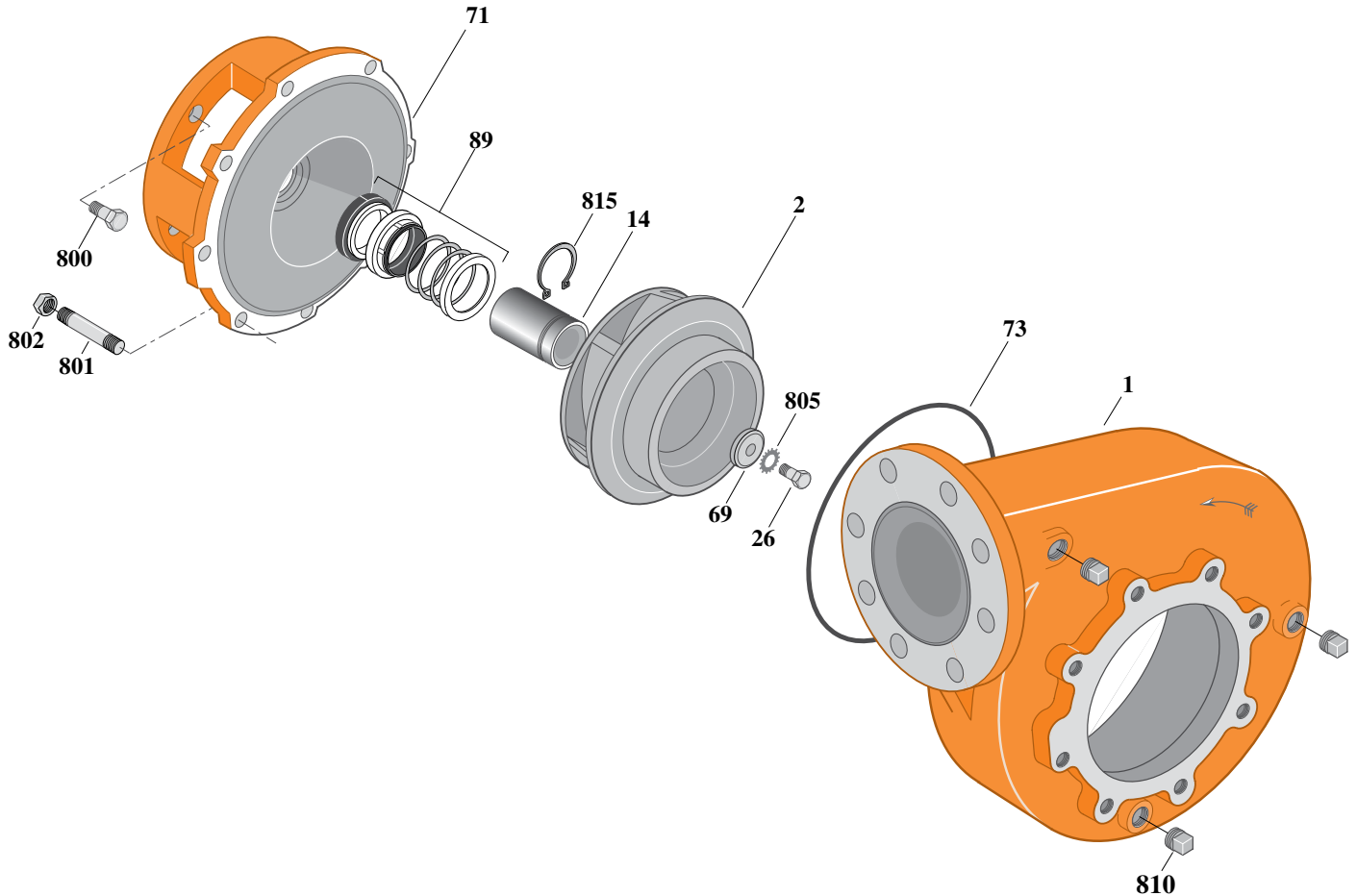
| | |
|-------------------|--------------|
| Section | CC |
| Page | 350.3 |
| Date | July 1, 2011 |
| Supersedes 1/1/04 | |

CAST IRON IMPELLER

B6ZPLS

Flanged Case

Mechanical Shaft Seal Construction



| Item | Part Description | Part Number |
|------|----------------------------------|--------------|
| 1 | Case, Volute | H05065 |
| 2 | Impeller | See Table I |
| 14 | Sleeve, Shaft | S18869L |
| 26 | Screw, Impeller 1/2 - 13 x 3" | S23631 |
| 32 | Key, 1/4 x 2-1/4" (See Note 1) | S23677 |
| 69 | Washer, Impeller | S06319 |
| 71 | Bracket | See Table II |
| 73 | O-Ring (See Note 2) | M14943 |
| 89 | Seal, Mechanical Shaft | S32015 |
| 800 | Capscrew, 1/2 - 13 x 1" (4 Req.) | S26912 |
| 801 | Stud, 3/8 - 16 x 1-3/8" (8 Req.) | S09942 |
| 802 | Nut, 3/8 -16 (8 Req.) | S23103 |
| 805 | Washer, Lock | S23038 |
| 810 | Plug, Pipe 1/2 NPT (3 Req.) | S23717 |
| 815 | Ring, Retaining | S16767 |

Table I

| B/M No. | HP | PH | RPM | "U" Dim. | Imp. Dia. | Imp. No. |
|---------|----|----|------|----------|-------------|----------|
| B69546 | 15 | 3 | 1800 | 1-1/4" | 7.56"x8.56" | M07719 |
| B69540 | 20 | 3 | 1800 | 1-1/4" | 8.00"x9.00" | M04348 |

Table II

| HP | PH | Bracket No. | "AK" Fit | "U" Dim. | Motor Frame |
|----|----|-------------|----------|----------|-------------|
| 15 | 3 | L04615 | 8-1/2" | 1-1/4" | 254JM |
| 20 | 3 | L04615 | 8-1/2" | 1-1/4" | 256JM |

NOTE 1: For an explanation of the tabulated material found on this page and for impeller key location, refer to *Supplement A* located at the beginning of this section.

NOTE 2: Also accepts gasket S05126 as replacement for o-ring. See *Supplement E* located at the beginning of this section.



Type "B" Single Stage Centrifugal Pump Electric Motor Drive

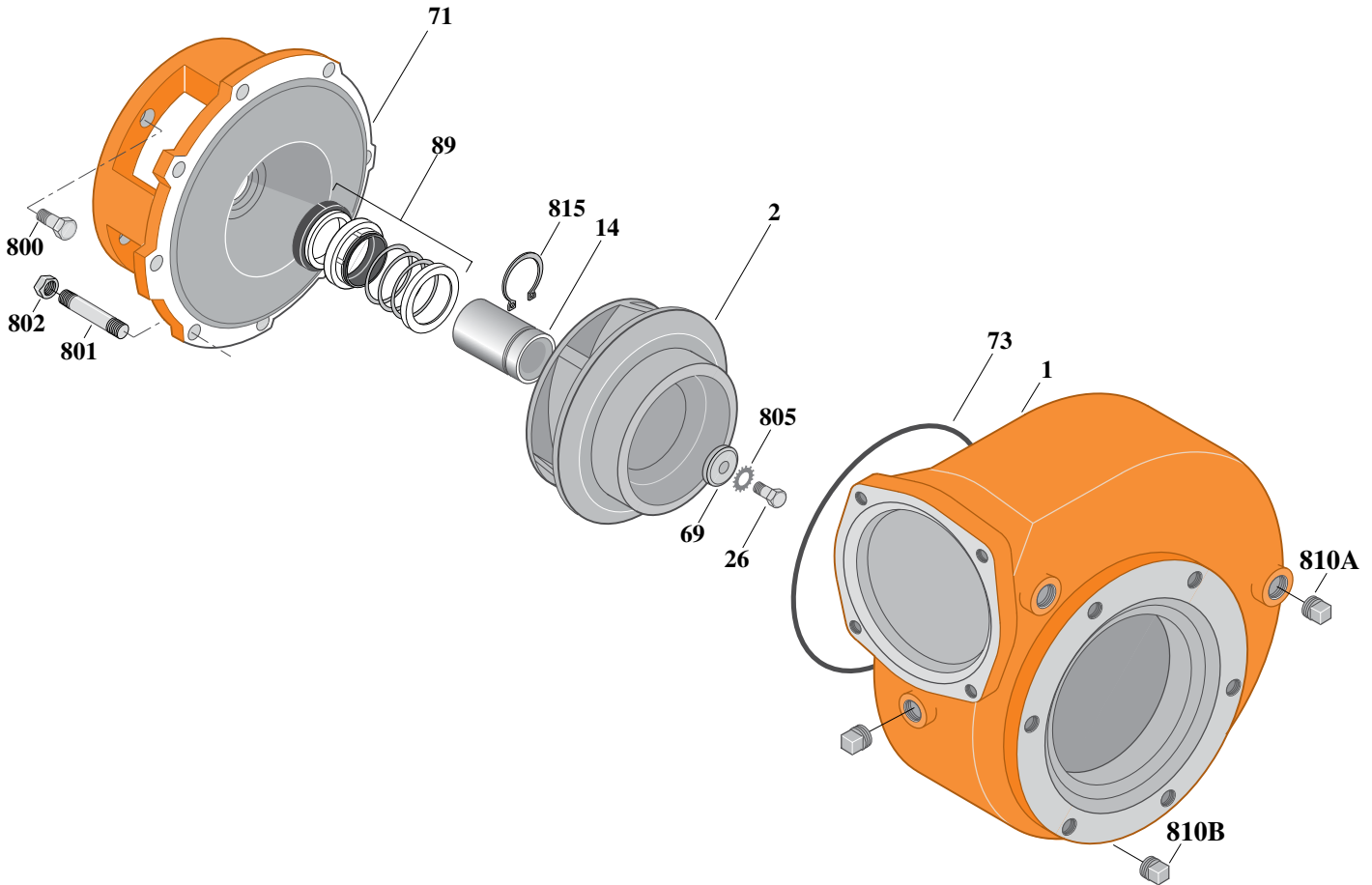
| | |
|-------------------|--------------|
| Section | CC |
| Page | 350.3.1 |
| Date | July 1, 2011 |
| Supersedes 1/1/04 | |

CAST IRON IMPELLER

B6ZPLS

Special Flanged Case

Mechanical Shaft Seal Construction



| Item | Part Description | Part Number |
|------|----------------------------------|--------------|
| 1 | Case, Volute | H01750 |
| 2 | Impeller | See Table I |
| 14 | Sleeve, Shaft | S18869L |
| 26 | Screw, Impeller 1/2 - 13 x 3" | S23631 |
| 32 | Key, 1/4 x 2-1/4" (See Note 1) | S23677 |
| 69 | Washer, Impeller | S06319 |
| 71 | Bracket | See Table II |
| 73 | O-Ring (See Note 2) | M14943 |
| 89 | Seal, Mechanical Shaft | S32015 |
| 800 | Capscrew, 1/2 - 13 x 1" (4 Req.) | S26912 |
| 801 | Stud, 3/8 - 16 x 1-3/8" (8 Req.) | S23994 |
| 802 | Nut, 3/8 - 16 (8 Req.) | S23103 |
| 805 | Washer, Lock | S23038 |
| 810A | Plug, Pipe 1/2 NPT (3 Req.) | S23717 |
| 810B | Plug, Pipe 1/2 NPT Skt. Hd. | M11137 |
| 815 | Ring, Retaining | S16767 |

Table I

| B/M No. | HP | PH | RPM | "U" Dim. | Imp. Dia. | Imp. No. |
|---------|----|----|------|----------|-------------|----------|
| B56352 | 15 | 3 | 1800 | 1-1/4" | 7.56"x8.56" | M07719 |
| B56353 | 20 | 3 | 1800 | 1-1/4" | 8.00"x9.00" | M04348 |

Table II

| HP | PH | Bracket No. | "AK" Fit | "U" Dim. | Motor Frame |
|----|----|-------------|----------|----------|-------------|
| 15 | 3 | L04615 | 8-1/2" | 1-1/4" | 254JM |
| 20 | 3 | L04615 | 8-1/2" | 1-1/4" | 256JM |

NOTE 1: For an explanation of the tabulated material found on this page and for impeller key location, refer to *Supplement A* located at the beginning of this section.

NOTE 2: Also accepts gasket S05126 as replacement for o-ring. See *Supplement E* located at the beginning of this section.



Type "B" Single Stage Centrifugal Pump Electric Motor Drive

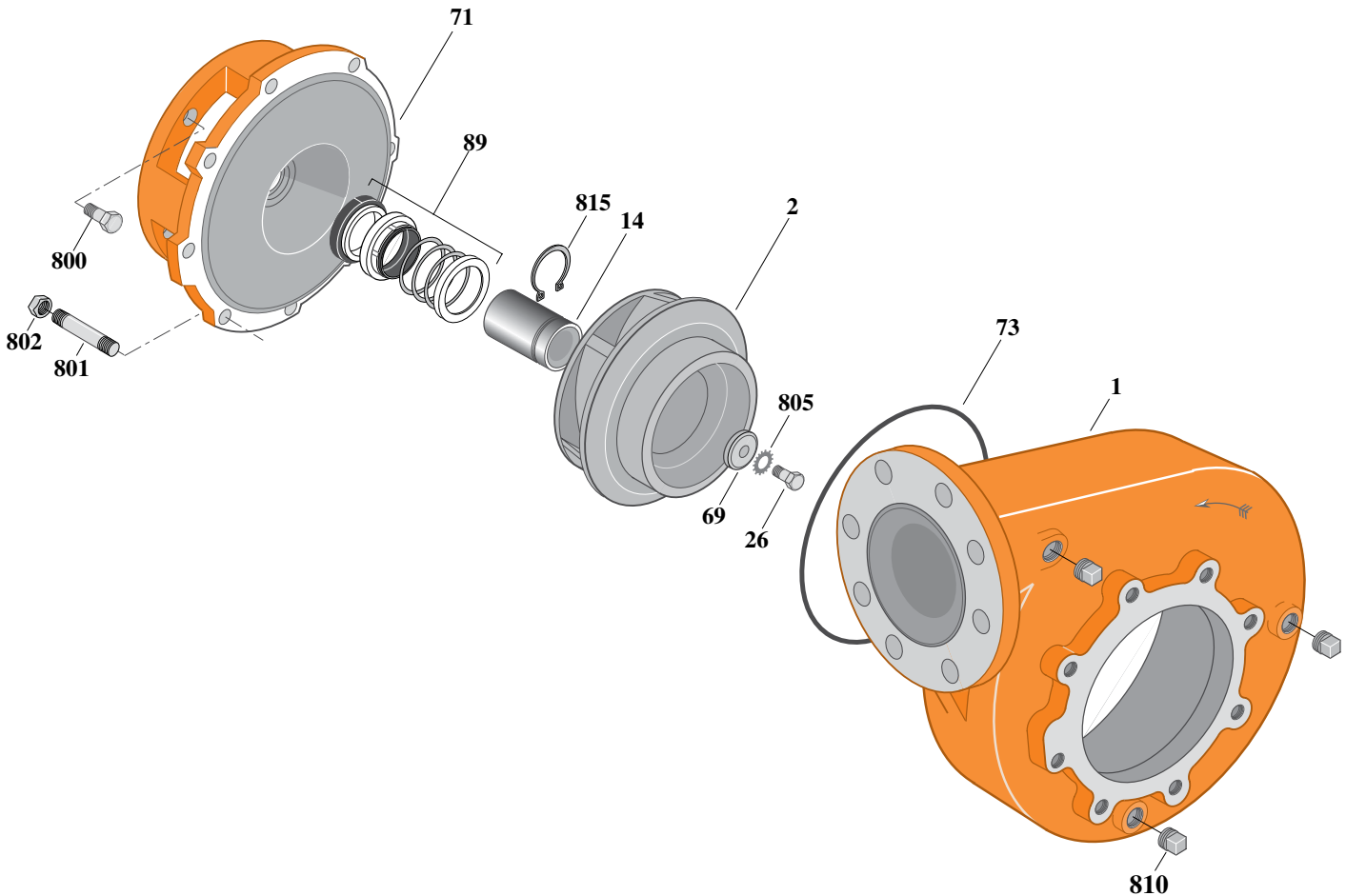
| | |
|-------------------|--------------|
| Section | CC |
| Page | 350.4 |
| Date | July 1, 2011 |
| Supersedes 1/1/04 | |

BRONZE IMPELLER

B6ZPLS

Flanged Case

Mechanical Shaft Seal Construction



| Item | Part Description | Part Number |
|------|----------------------------------|--------------|
| 1 | Case, Volute | H05065 |
| 2 | Impeller | See Table I |
| 14 | Sleeve, Shaft | S19310L |
| 26 | Screw, Impeller 3/8 - 16 x 2" | S23574 |
| 32 | Key, 3/16 x 1-1/4" (See Note 1) | S34383 |
| 69 | Washer, Impeller | S06314 |
| 71 | Bracket | See Table II |
| 73 | O-Ring (See Note 2) | M14943 |
| 89 | Seal, Mechanical Shaft | S32014 |
| 800 | Capscrew, 1/2 - 13 x 1" (4 Req.) | S26912 |
| 801 | Stud, 3/8 - 16 x 1-3/8" (8 Req.) | S09942 |
| 802 | Nut, 3/8 - 16 (8 Req.) | S23103 |
| 805 | Washer, Lock | S23036 |
| 810 | Plug, Pipe 1/2 NPT (3 Req.) | S23717 |
| 815 | Ring, Retaining | S11207 |

Table I

| B/M No. | HP | PH | RPM | "U" Dim. | Imp. Dia. | Imp. No. |
|---------|----|----|------|----------|-------------|----------|
| B76777 | 10 | 1 | 1800 | 7/8" | 6.12"x8.25" | M11566 |
| B76778 | 10 | 3 | 1800 | 7/8" | 6.12"x8.25" | M11566 |

Table II

| HP | PH | Bracket No. | "AK" Fit | "U" Dim. | Motor Frame |
|----|----|-------------|----------|----------|-------------|
| 10 | 1 | L05331 | 8-1/2" | 7/8" | 215JM |
| 10 | 3 | L05331 | 8-1/2" | 7/8" | 215JM |

NOTE 1: For an explanation of the tabulated material found on this page and for impeller key location, refer to *Supplement A* located at the beginning of this section.

NOTE 2: Also accepts gasket S05126 as replacement for o-ring. See *Supplement E* located at the beginning of this section.



Type "B" Single Stage Centrifugal Pump Electric Motor Drive

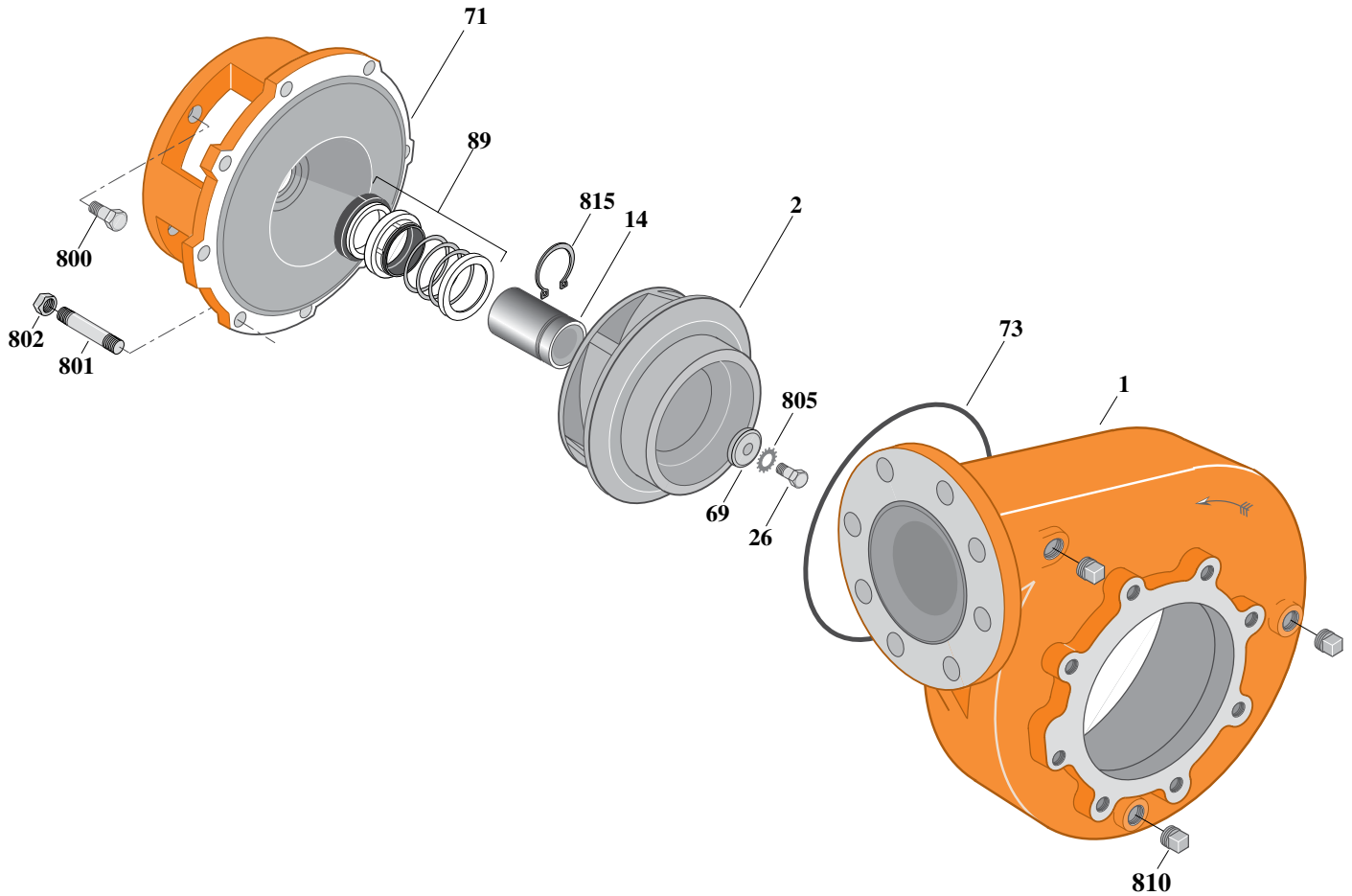
| | |
|-------------------|--------------|
| Section | CC |
| Page | 350.5 |
| Date | July 1, 2011 |
| Supersedes 1/1/04 | |

BRONZE IMPELLER

B6ZPLS

Flanged Case

Mechanical Shaft Seal Construction



| Item | Part Description | Part Number |
|------|----------------------------------|--------------|
| 1 | Case, Volute | H05065 |
| 2 | Impeller | See Table I |
| 14 | Sleeve, Shaft | S18869L |
| 26 | Screw, Impeller 1/2 - 13 x 3" | S23631 |
| 32 | Key, 1/4 x 2-1/4" (See Note 1) | S23677 |
| 69 | Washer, Impeller | S06319 |
| 71 | Bracket | See Table II |
| 73 | O-Ring (See Note 2) | M14943 |
| 89 | Seal, Mechanical Shaft | S32015 |
| 800 | Capscrew, 1/2 - 13 x 1" (4 Req.) | S26912 |
| 801 | Stud, 3/8 - 16 x 1-3/8" (8 Req.) | S09942 |
| 802 | Nut, 3/8 -16 (8 Req.) | S23103 |
| 805 | Washer, Lock | S23038 |
| 810 | Plug, Pipe 1/2 NPT (3 Req.) | S23717 |
| 815 | Ring, Retaining | S16767 |

Table I

| B/M No. | HP | PH | RPM | "U" Dim. | Imp. Dia. | Imp. No. |
|---------|----|----|------|----------|-------------|----------|
| B76779 | 15 | 3 | 1800 | 1-1/4" | 7.56"x8.56" | M11568 |
| B76780 | 20 | 3 | 1800 | 1-1/4" | 8.00"x9.00" | M11567 |

Table II

| HP | PH | Bracket No. | "AK" Fit | "U" Dim. | Motor Frame |
|----|----|-------------|----------|----------|-------------|
| 15 | 3 | L04615 | 8-1/2" | 1-1/4" | 254JM |
| 20 | 3 | L04615 | 8-1/2" | 1-1/4" | 256JM |

NOTE 1: For an explanation of the tabulated material found on this page and for impeller key location, refer to *Supplement A* located at the beginning of this section.

NOTE 2: Also accepts gasket S05126 as replacement for o-ring. See *Supplement E* located at the beginning of this section.



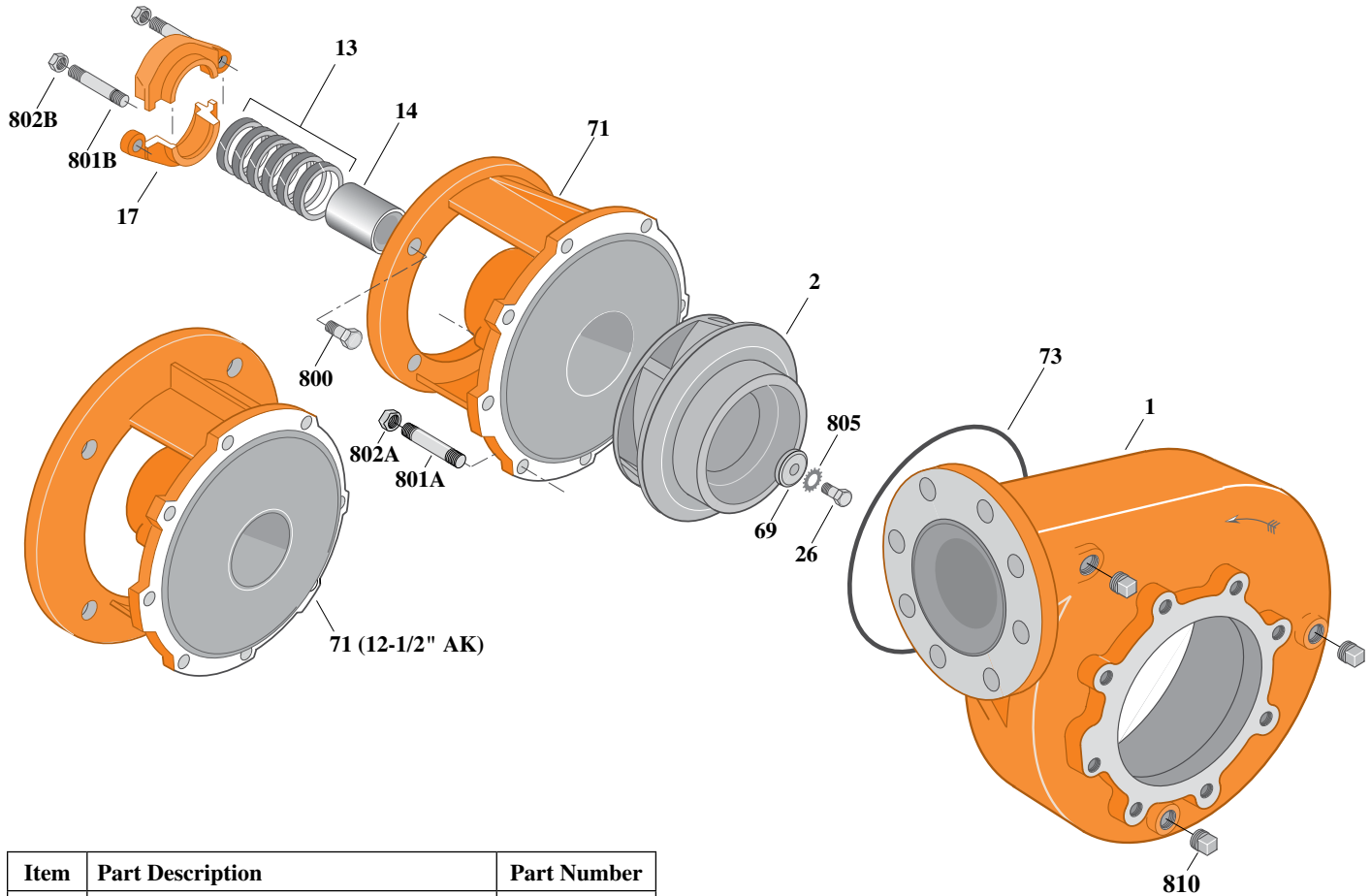
Type "B" Single Stage Centrifugal Pump Electric Motor Drive

| | |
|-------------------|--------------|
| Section | CC |
| Page | 360.1 |
| Date | July 1, 2011 |
| Supersedes 1/1/04 | |

CAST IRON IMPELLERB6ZPH

Flanged Case

Packing Construction



| Item | Part Description | Part Number |
|------|--------------------------------------|--------------|
| 1 | Case, Volute | H05065 |
| 2 | Impeller | See Table I |
| 13 | Rings, Packing (Set of 6) | S13470 |
| 14 | Sleeve, Shaft | S05149L |
| 17 | Gland, Packing | B82470 |
| 26 | Screw, Impeller 1/2 - 13 x 2" | S23627 |
| 32 | Key, 1/4 x 2-1/4" (See Note 1) | S23677 |
| 69 | Washer, Impeller | S06319 |
| 71 | Bracket | See Table II |
| 73 | O-Ring (See Note 2) | M14943 |
| 800 | Capscrew, 1/2 - 13 x 1-1/2" (4 Req.) | S26916 |
| 801A | Stud, 3/8 - 16 x 1-3/8" (8 Req.) | S09942 |
| 801B | Stud, 3/8 - 16 x 4" (2 Req.) | S08303 |
| 802A | Nut, Hex 3/8 - 16 (8 Req.) | S23103 |
| 802B | Nut, Hex 3/8 - 16 (2 Req.) | S23343 |
| 805 | Washer, Lock | S23038 |
| 810 | Plug, Pipe 1/2 NPT (3 Req.) | S23717 |

Table I

| B/M No. | HP | PH | RPM | "U" Dim. | Imp. Dia. | Imp. No. |
|---------|----|----|------|----------|-------------|----------|
| B69536 | 15 | 3 | 1800 | 1-1/4" | 6.25"x8.00" | M07720 |
| B69531 | 20 | 3 | 1800 | 1-1/4" | 7.12"x8.12" | M07721 |
| B69520 | 25 | 3 | 1800 | 1-1/4" | 7.69"x8.69" | M07722 |
| B69526 | 30 | 3 | 1800 | 1-1/4" | 8.00"x9.00" | M04349 |

Table II

| HP | PH | Bracket No. | "AK" Fit | "U" Dim. | Motor Frame |
|----|----|-------------|----------|----------|-------------|
| 10 | 1 | L03827 | 8-1/2" | 1-1/4" | 254JP |
| 10 | 3 | L03827 | 8-1/2" | 1-1/4" | 256JP |
| 15 | 3 | L01563 | 12-1/2" | 1-1/4" | 284JP |
| 20 | 3 | L01563 | 12-1/2" | 1-1/4" | 286JP |

NOTE 1: For an explanation of the tabulated material found on this page and for impeller key location, refer to *Supplement A* located at the beginning of this section.

NOTE 2: Also accepts gasket S05126 as replacement for o-ring. See *Supplement E* located at the beginning of this section.



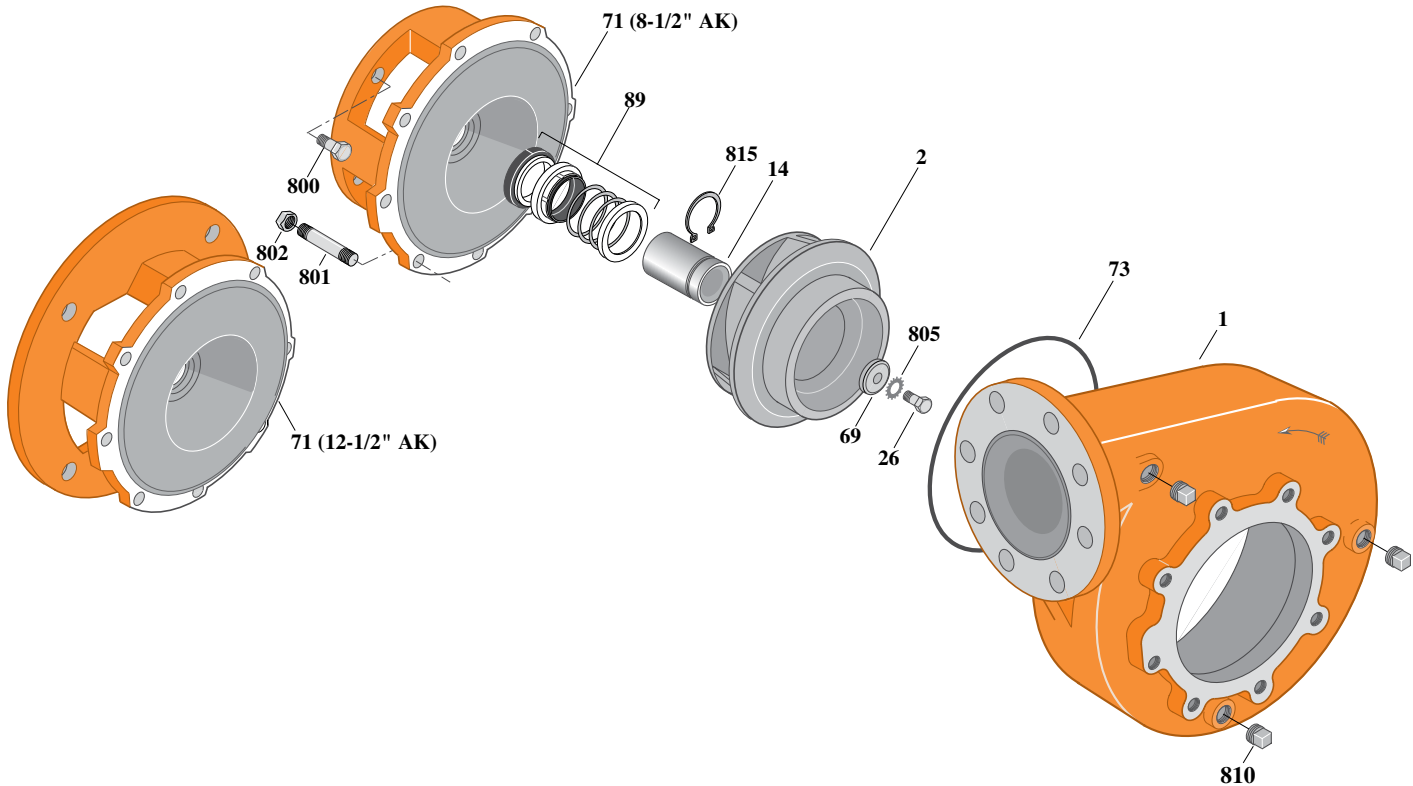
Type "B" Single Stage Centrifugal Pump Electric Motor Drive

| | |
|-------------------|--------------|
| Section | CC |
| Page | 360.2 |
| Date | July 1, 2011 |
| Supersedes 1/1/04 | |

CAST IRON IMPELLERB6ZPHS

Flanged Case

Mechanical Shaft Seal Construction



| Item | Part Description | Part Number |
|------|--|--------------|
| 1 | Case, Volute | H05065 |
| 2 | Impeller | See Table I |
| 14 | Sleeve, Shaft | S18869L |
| 26 | Screw, Impeller 1/2 - 13 x 2" | S23627 |
| 32 | Key, 1/4 x 2-1/4" (See Note 1) | S23677 |
| 69 | Washer, Impeller | S06319 |
| 71 | Bracket | See Table II |
| 73 | O-Ring (See Note 2) | M14943 |
| 89 | Seal, Mechanical Shaft | S32015 |
| 800 | Capscrew, 1/2 - 13 x 1" (4 Req.) (For 8-1/2 AK) | S26912 |
| 800 | Capscrew, 5/8 - 11 x 1-1/4" (4 Req.) (For 8-1/2 AK) | S26997 |
| 801 | Stud, 3/8 - 16 x 1-3/8" (8 Req.) | S09942 |
| 802 | Nut, 3/8 - 16 (8 Req.) | S23103 |
| 805 | Washer, Lock | S23038 |
| 810 | Plug, Pipe 1/2 NPT (3 Req.) | S23717 |
| 815 | Ring, Retaining | S16767 |

Table I

| B/M No. | HP | PH | RPM | "U" Dim. | Imp. Dia. | Imp. No. |
|---------|----|----|------|----------|-------------|----------|
| B69535 | 15 | 3 | 1800 | 1-1/4" | 6.25"x8.00" | M07720 |
| B69530 | 20 | 3 | 1800 | 1-1/4" | 7.12"x8.12" | M07721 |
| B69518 | 25 | 3 | 1800 | 1-1/4" | 7.69"x8.69" | M07722 |
| B69525 | 30 | 3 | 1800 | 1-1/4" | 8.00"x9.00" | M04349 |

Table II

| HP | PH | Bracket No. | "AK" Fit | "U" Dim. | Motor Frame |
|----|----|-------------|----------|----------|-------------|
| 15 | 3 | L04615 | 8-1/2" | 1-1/4" | 254JM |
| 20 | 3 | L04615 | 8-1/2" | 1-1/4" | 256JM |
| 25 | 3 | L04627 | 12-1/2" | 1-1/4" | 284JM |
| 30 | 3 | L04627 | 12-1/2" | 1-1/4" | 286JM |

NOTE 1: For an explanation of the tabulated material found on this page and for impeller key location, refer to *Supplement A* located at the beginning of this section.

NOTE 2: Also accepts gasket S05126 as replacement for o-ring. See *Supplement E* located at the beginning of this section.



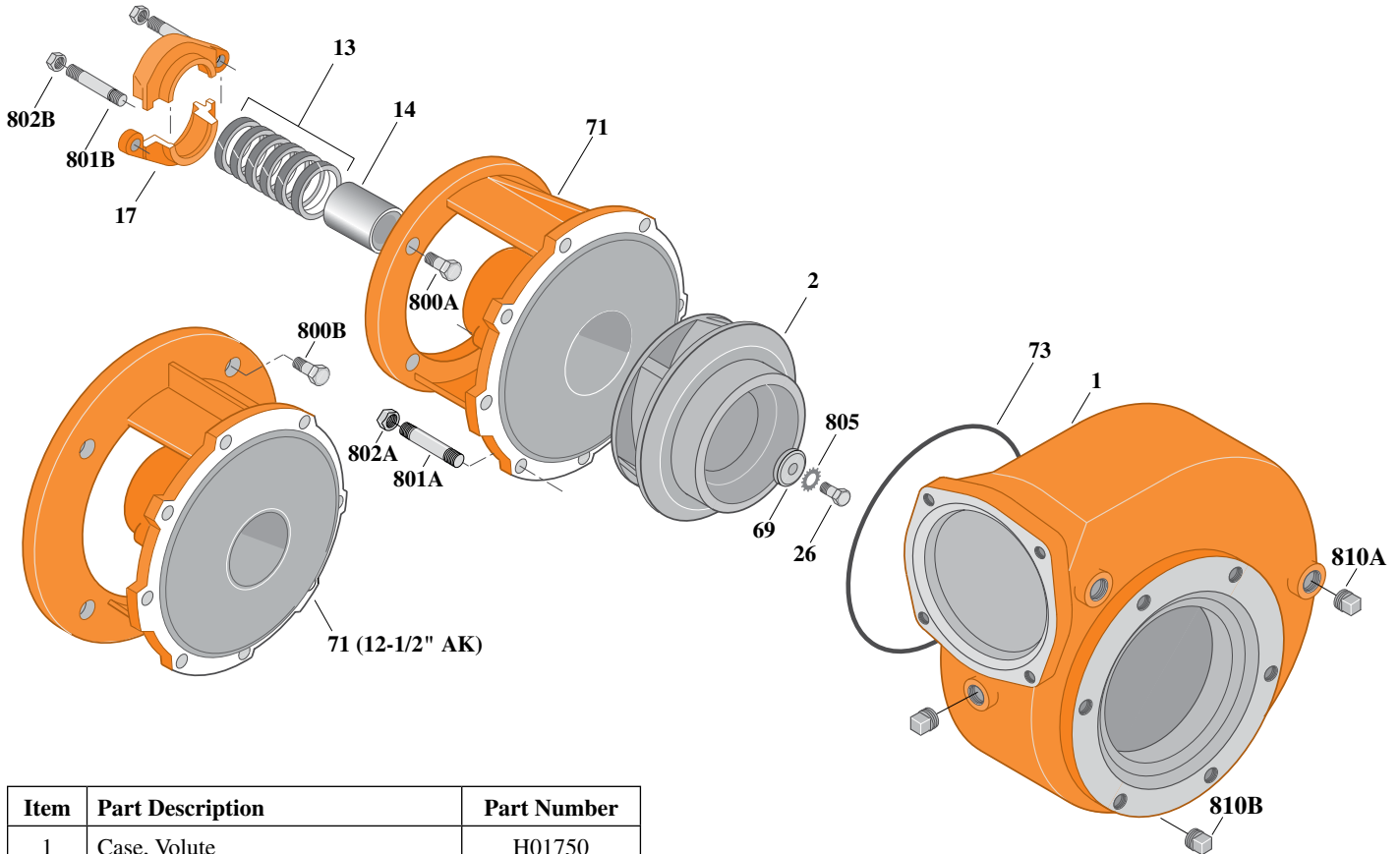
Type "B" Single Stage Centrifugal Pump Electric Motor Drive

| | |
|-------------------|--------------|
| Section | CC |
| Page | 360.2.1 |
| Date | July 1, 2011 |
| Supersedes 1/1/04 | |

CAST IRON IMPELLERB6ZPH

Special Flanged Case

Packing Construction



| Item | Part Description | Part Number |
|------|--------------------------------------|--------------|
| 1 | Case, Volute | H01750 |
| 2 | Impeller | See Table I |
| 13 | Rings, Packing (Set of 6) | S13470 |
| 14 | Sleeve, Shaft | S05149L |
| 17 | Gland, Packing | B82470 |
| 26 | Screw, Impeller 1/2 - 13 x 2" | S23627 |
| 32 | Key, 1/4 x 2-1/4" (See Note 1) | S23677 |
| 69 | Washer, Impeller | S06319 |
| 71 | Bracket | See Table II |
| 73 | O-Ring (See Note 2) | M14943 |
| 800A | Capscrew, 1/2 - 13 x 1-1/2" (4 Req.) | S26916 |
| 800B | Capscrew, 5/8 - 11 x 1-1/2" (4 Req.) | S26999 |
| 801A | Stud, 3/8 - 16 x 1-3/8" (8 Req.) | S23994 |
| 801B | Stud, 3/8 - 16 x 4" (2 Req.) | S08303 |
| 802A | Nut, Hex 3/8 - 16 (8 Req.) | S23103 |
| 802B | Nut, Hex 3/8 - 16 (2 Req.) | S23343 |
| 805 | Washer, Lock | S23038 |
| 810A | Plug, Pipe 1/2 NPT (3 Req.) | S23717 |
| 810B | Plug, Pipe 1/2 NPT Skt. Hd. | M11137 |

Table I

| B/M No. | HP | PH | RPM | "U" Dim. | Imp. Dia. | Imp. No. |
|---------|----|----|------|----------|-------------|----------|
| B56356 | 15 | 3 | 1800 | 1-1/4" | 6.25"x8.00" | M07720 |
| B56357 | 20 | 3 | 1800 | 1-1/4" | 7.12"x8.12" | M07721 |
| B56385 | 25 | 3 | 1800 | 1-1/4" | 7.69"x8.69" | M07722 |
| B56386 | 30 | 3 | 1800 | 1-1/4" | 8.00"x9.00" | M04349 |

Table II

| HP | PH | Bracket No. | "AK" Fit | "U" Dim. | Motor Frame |
|----|----|-------------|----------|----------|-------------|
| 15 | 1 | L03827 | 8-1/2" | 1-1/4" | 254JP |
| 20 | 3 | L03827 | 8-1/2" | 1-1/4" | 256JP |
| 25 | 3 | L01563 | 12-1/2" | 1-1/4" | 284JP |
| 30 | 3 | L01563 | 12-1/2" | 1-1/4" | 286JP |

NOTE 1: For an explanation of the tabulated material found on this page and for impeller key location, refer to *Supplement A* located at the beginning of this section.

NOTE 2: Also accepts gasket S05126 as replacement for o-ring. See *Supplement E* located at the beginning of this section.



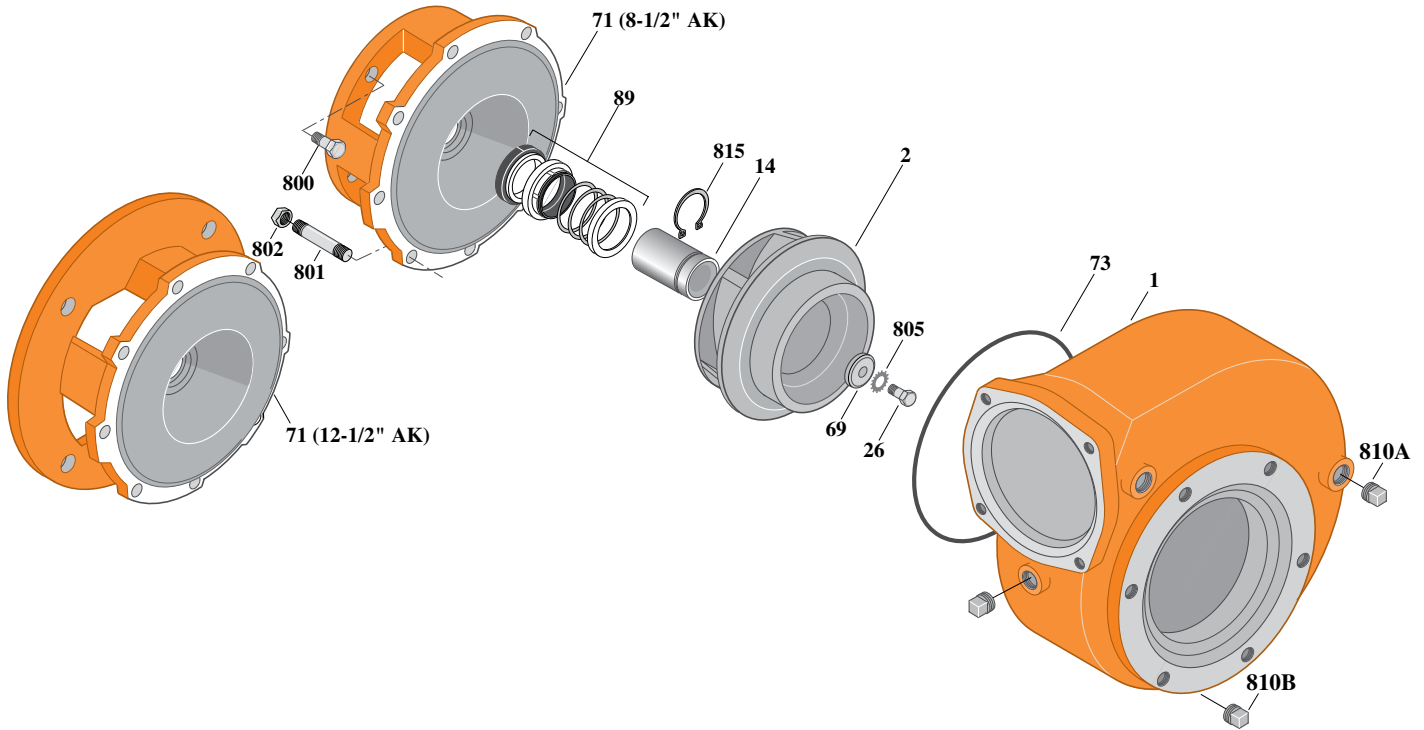
Type "B" Single Stage Centrifugal Pump Electric Motor Drive

| | |
|-------------------|--------------|
| Section | CC |
| Page | 360.2.2 |
| Date | July 1, 2011 |
| Supersedes 1/1/04 | |

CAST IRON IMPELLERB6ZPHS

Special Flanged Case

Mechanical Shaft Seal Construction



| Item | Part Description | Part Number |
|------|---|--------------|
| 1 | Case, Volute | H01750 |
| 2 | Impeller | See Table I |
| 14 | Sleeve, Shaft | S18869L |
| 26 | Screw, Impeller 1/2 - 13 x 2" | S23627 |
| 32 | Key, 1/4 x 2-1/4" (See Note 1) | S23677 |
| 69 | Washer, Impeller | S06319 |
| 71 | Bracket | See Table II |
| 73 | O-Ring (See Note 2) | M14943 |
| 89 | Seal, Mechanical Shaft | S32015 |
| 800 | Capscrew, 1/2 - 13 x 1" (4 Req.) (For 8-1/2 AK) | S26912 |
| 800 | Capscrew, 5/8 - 11 x 1-1/4" (4 Req.) (For 8-1/2 AK) | S26997 |
| 801 | Stud, 3/8 - 16 x 1-3/8" (8 Req.) | S23994 |
| 802 | Nut, 3/8 - 16 (8 Req.) | S23103 |
| 805 | Washer, Lock | S23038 |
| 810A | Plug, Pipe 1/2 NPT (3 Req.) | S23717 |
| 810B | Plug, Pipe 1/2 NPT Skt. Hd. | M11137 |
| 815 | Ring, Retaining | S16767 |

Table I

| B/M No. | HP | PH | RPM | "U" Dim. | Imp. Dia. | Imp. No. |
|---------|----|----|------|----------|-------------|----------|
| B56362 | 15 | 3 | 1800 | 1-1/4" | 6.25"x8.00" | M07720 |
| B56363 | 20 | 3 | 1800 | 1-1/4" | 7.12"x8.12" | M07721 |
| B56364 | 25 | 3 | 1800 | 1-1/4" | 7.69"x8.69" | M07722 |
| B56365 | 30 | 3 | 1800 | 1-1/4" | 8.00"x9.00" | M04349 |

Table II

| HP | PH | Bracket No. | "AK" Fit | "U" Dim. | Motor Frame |
|----|----|-------------|----------|----------|-------------|
| 15 | 3 | L04615 | 8-1/2" | 1-1/4" | 254JM |
| 20 | 3 | L04615 | 8-1/2" | 1-1/4" | 256JM |
| 25 | 3 | L04627 | 12-1/2" | 1-1/4" | 284JM |
| 30 | 3 | L04627 | 12-1/2" | 1-1/4" | 286JM |

NOTE 1: For an explanation of the tabulated material found on this page and for impeller key location, refer to *Supplement A* located at the beginning of this section.

NOTE 2: Also accepts gasket S05126 as replacement for o-ring. See *Supplement E* located at the beginning of this section.



Type "B" Single Stage Centrifugal Pump Electric Motor Drive

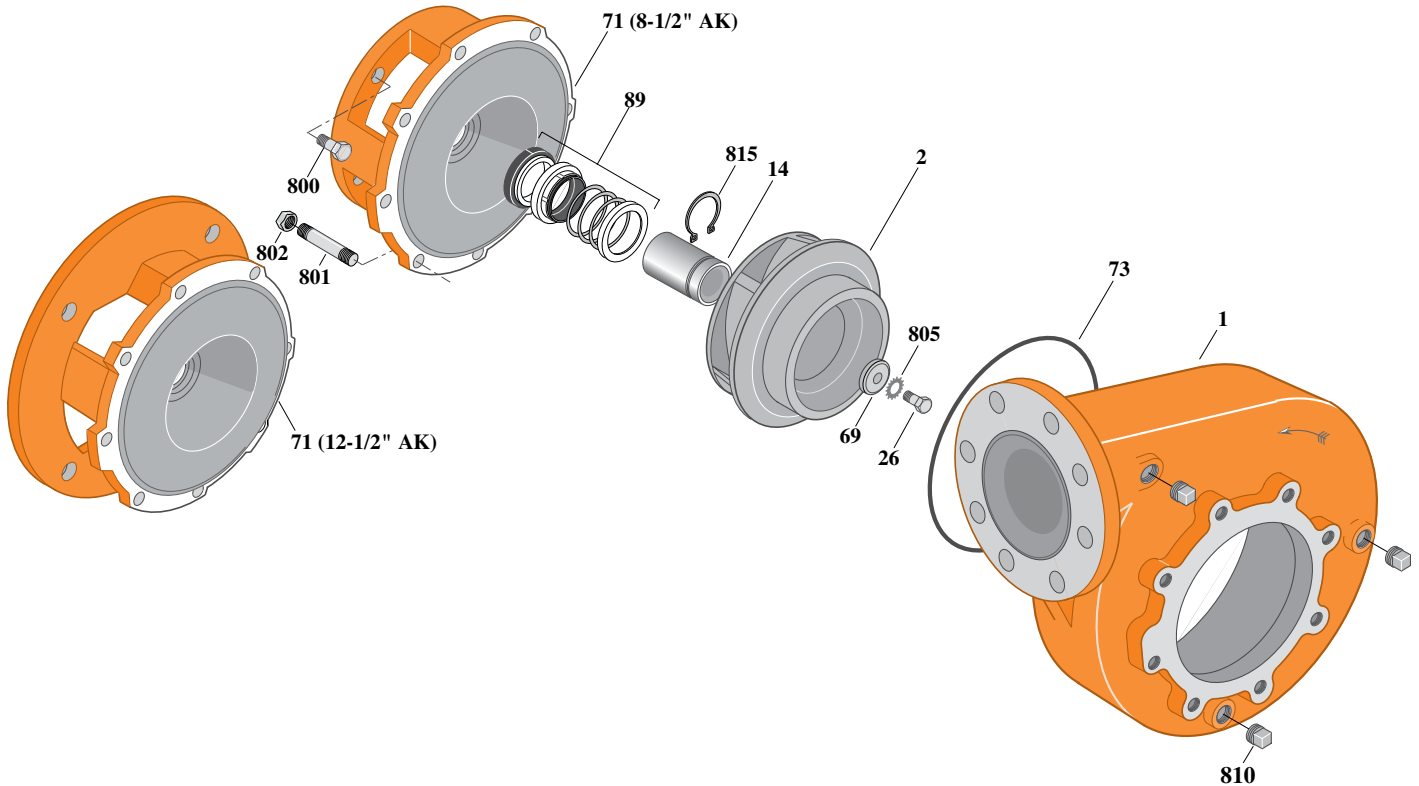
| | |
|-------------------|--------------|
| Section | CC |
| Page | 360.3 |
| Date | July 1, 2011 |
| Supersedes 1/1/04 | |

BRONZE IMPELLER

B6ZPHS

Flanged Case

Mechanical Shaft Seal Construction



| Item | Part Description | Part Number |
|------|--|--------------|
| 1 | Case, Volute | H05065 |
| 2 | Impeller | See Table I |
| 14 | Sleeve, Shaft | S18869L |
| 26 | Screw, Impeller 1/2 - 13 x 2" | S23627 |
| 32 | Key, 1/4 x 2-1/4" (See Note 1) | S23677 |
| 69 | Washer, Impeller | S06319 |
| 71 | Bracket | See Table II |
| 73 | O-Ring (See Note 2) | M14943 |
| 89 | Seal, Mechanical Shaft | S32015 |
| 800 | Capscrew, 1/2 - 13 x 1" (4 Req.) (For 8-1/2 AK) | S26912 |
| 800 | Capscrew, 5/8 - 11 x 1-1/4" (4 Req.) (For 8-1/2 AK) | S26997 |
| 801 | Stud, 3/8 - 16 x 1-3/8" (8 Req.) | S09942 |
| 802 | Nut, 3/8 -16 (8 Req.) | S23103 |
| 805 | Washer, Lock | S23038 |
| 810 | Plug, Pipe 1/2 NPT (3 Req.) | S23717 |
| 815 | Ring, Retaining | S16767 |

Table I

| B/M No. | HP | PH | RPM | "U" Dim. | Imp. Dia. | Imp. No. |
|---------|----|----|------|----------|-------------|----------|
| B76781 | 15 | 3 | 1800 | 1-1/4" | 6.25"x8.00" | M11569 |
| B76782 | 20 | 3 | 1800 | 1-1/4" | 7.12"x8.12" | M11570 |
| B76783 | 25 | 3 | 1800 | 1-1/4" | 7.69"x8.69" | M11571 |
| B76784 | 30 | 3 | 1800 | 1-1/4" | 8.00"x9.00" | M11572 |

Table II

| HP | PH | Bracket No. | "AK" Fit | "U" Dim. | Motor Frame |
|----|----|-------------|----------|----------|-------------|
| 15 | 3 | L04615 | 8-1/2" | 1-1/4" | 254JM |
| 20 | 3 | L04615 | 8-1/2" | 1-1/4" | 256JM |
| 25 | 3 | L04627 | 12-1/2" | 1-1/4" | 284JM |
| 30 | 3 | L04627 | 12-1/2" | 1-1/4" | 286JM |

NOTE 1: For an explanation of the tabulated material found on this page and for impeller key location, refer to *Supplement A* located at the beginning of this section.

NOTE 2: Also accepts gasket S05126 as replacement for o-ring. See *Supplement E* located at the beginning of this section.



TYPE "B" SINGLE STAGE CENTRIFUGAL PUMP Electric Motor Drive

| | |
|-------------------|-----------------|
| Section | CC |
| Page | 370.1 |
| Date | January 1, 2004 |
| Supersedes 6/1/95 | |

CAST IRON IMPELLER

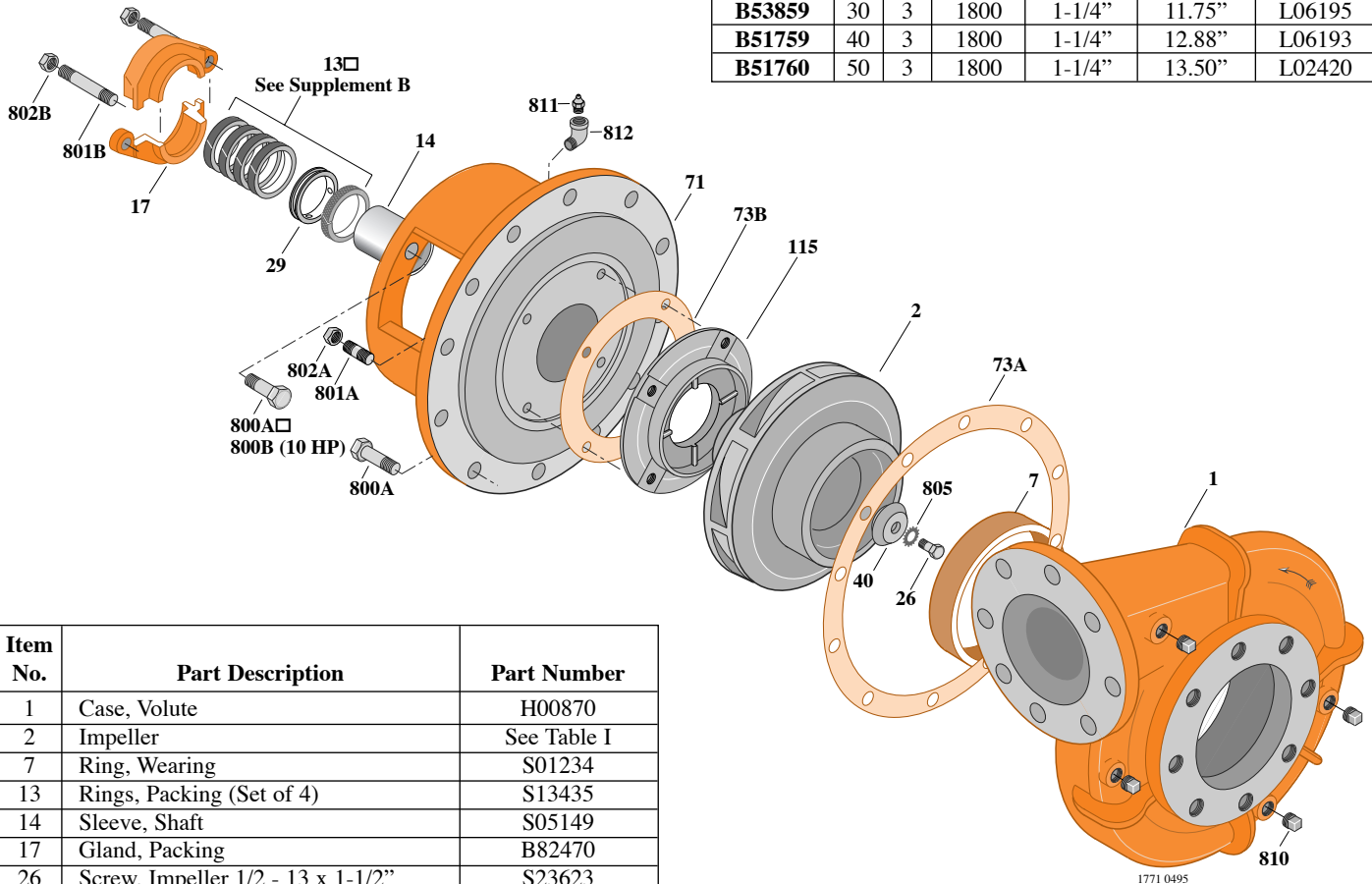
B6JPBL

Flanged Case

Packing Construction

TABLE I

| B/M No. | HP | PH | RPM | "U" Dim. | Imp. Dia. | Imp. No. |
|---------------|----|----|------|----------|-----------|----------|
| B53858 | 25 | 3 | 1800 | 1-1/4" | 11.00" | L06194 |
| B53859 | 30 | 3 | 1800 | 1-1/4" | 11.75" | L06195 |
| B51759 | 40 | 3 | 1800 | 1-1/4" | 12.88" | L06193 |
| B51760 | 50 | 3 | 1800 | 1-1/4" | 13.50" | L02420 |



| Item No. | Part Description | Part Number |
|----------|---------------------------------------|--------------|
| 1 | Case, Volute | H00870 |
| 2 | Impeller | See Table I |
| 7 | Ring, Wearing | S01234 |
| 13 | Rings, Packing (Set of 4) | S13435 |
| 14 | Sleeve, Shaft | S05149 |
| 17 | Gland, Packing | B82470 |
| 26 | Screw, Impeller 1/2 - 13 x 1-1/2" | S23623 |
| 29 | Ring, Lantern | S19200 |
| 32 | Key, 1/4 x 2-1/4" (See Note) | S23677 |
| 40 | Deflector | S06319 |
| 71 | Bracket | See Table II |
| 73A | Gasket, Volute | S06271 |
| 73B | Gasket, Balance Ring | S09943 |
| 115 | Ring, Balance | S12315 |
| 800 | Capscrew, 5/8 - 11 x 1-1/2" (16 Req.) | S26999 |
| 801A | Stud, 3/8 - 16 x 1-3/4" (4 Req.) | S23996 |
| 801B | Stud, 3/8 - 16 x 2-1/2" (2 Req.) | S04438 |
| 802A | Nut, Hex 3/8 - 16 (4 Req.) | S23103 |
| 802B | Nut, Hex 3/8 - 16 (2 Req.) | S23343 |
| 805 | Washer, Lock | S23038 |
| 810 | Plug, Pipe 1/2 NPT (4 Req.) | S23717 |
| 811 | Fitting, Grease | S23700 |
| 812 | Elbow, Street | S25421 |

TABLE II

| HP | PH | Bracket No. | "AK" Fit | "U" Dim. | Motor Frame |
|----|----|-------------|----------|----------|-------------|
| 25 | 3 | H01601 | 12-1/2" | 1-1/4" | 284JP |
| 30 | 3 | H01601 | 12-1/2" | 1-1/4" | 286JP |
| 40 | 3 | H01601 | 12-1/2" | 1-1/4" | 324JP |
| 50 | 3 | H01601 | 12-1/2" | 1-1/4" | 326JP |

NOTE: For an explanation of the tabulated material found on this page and for impeller key location, refer to *Supplement A* located at the beginning of this section.



TYPE "B" SINGLE STAGE CENTRIFUGAL PUMP Electric Motor Drive

| | |
|-------------------|-----------------|
| Section | CC |
| Page | 370.2 |
| Date | January 1, 2004 |
| Supersedes 6/1/95 | |

CAST IRON IMPELLER

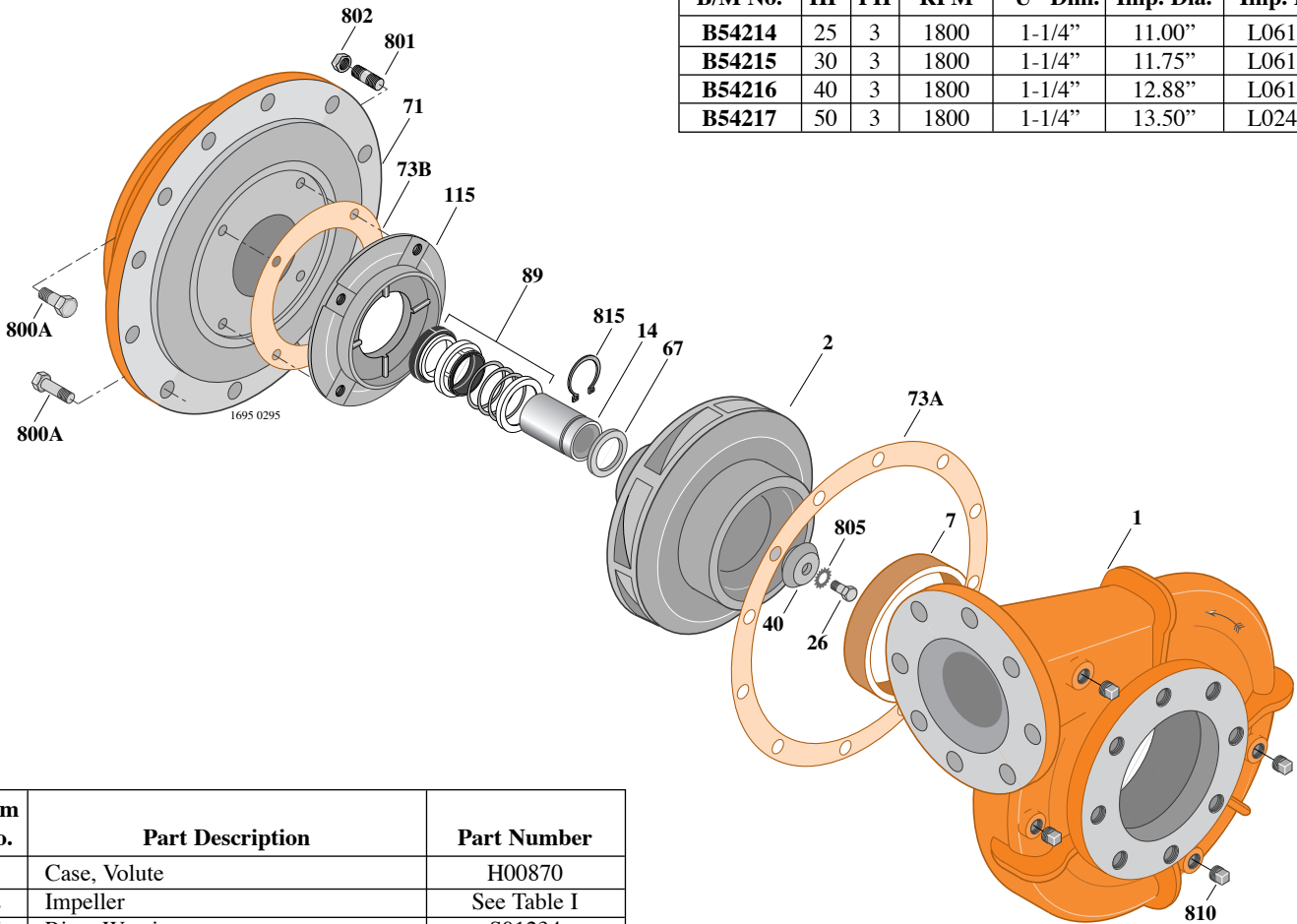
B6JPBLS

Flanged Case

Mechanical Shaft Seal Construction

TABLE I

| B/M No. | HP | PH | RPM | "U" Dim. | Imp. Dia. | Imp. No. |
|---------|----|----|------|----------|-----------|----------|
| B54214 | 25 | 3 | 1800 | 1-1/4" | 11.00" | L06194 |
| B54215 | 30 | 3 | 1800 | 1-1/4" | 11.75" | L06195 |
| B54216 | 40 | 3 | 1800 | 1-1/4" | 12.88" | L06193 |
| B54217 | 50 | 3 | 1800 | 1-1/4" | 13.50" | L02420 |



| Item No. | Part Description | Part Number |
|----------|---------------------------------------|--------------|
| 1 | Case, Volute | H00870 |
| 2 | Impeller | See Table I |
| 7 | Ring, Wearing | S01234 |
| 14 | Sleeve, Shaft | S18869 |
| 26 | Screw, Impeller 1/2 - 13 x 1-1/2" | S23623 |
| 32 | Key, 1/4 x 2-1/4" (See Note) | S23677 |
| 40 | Deflector | S06319 |
| 67 | Ring, Spacer | S19349 |
| 71 | Bracket | See Table II |
| 73A | Gasket, Volute Case | S06271 |
| 73B | Gasket, Balance Ring | S09943 |
| 89 | Seal, Mechanical Shaft | S32015 |
| 115 | Ring, Balance | S19105 |
| 800A | Capscrew, 5/8 - 11 x 1-1/2" (16 Req.) | S26999 |
| 801 | Stud, 3/8 - 16 x 1-1/2" (4 Req.) | S23995 |
| 802 | Nut, 3/8 - 16 (4 Req.) | S23103 |
| 805 | Washer, Lock | S23038 |
| 810 | Plug, Pipe 1/2 NPT (4 Req.) | S23717 |
| 815 | Ring, Retaining | S16767 |

TABLE II

| HP | PH | Bracket No. | "AK" Fit | "U" Dim. | Motor Frame |
|----|----|-------------|----------|----------|-------------|
| 25 | 3 | H03301 | 12-1/2" | 1-1/4" | 284JM |
| 30 | 3 | H03301 | 12-1/2" | 1-1/4" | 286JM |
| 40 | 3 | H03301 | 12-1/2" | 1-1/4" | 324JM |
| 50 | 3 | H03301 | 12-1/2" | 1-1/4" | 326JM |

NOTE: For an explanation of the tabulated material found on this page and for impeller key location, refer to *Supplement A* located at the beginning of this section.



TYPE "B" SINGLE STAGE CENTRIFUGAL PUMP Electric Motor Drive

| | |
|-------------------|-----------------|
| Section | CC |
| Page | 370.3 |
| Date | January 1, 2004 |
| Supersedes 9/1/97 | |

SILICON BRONZE IMPELLER

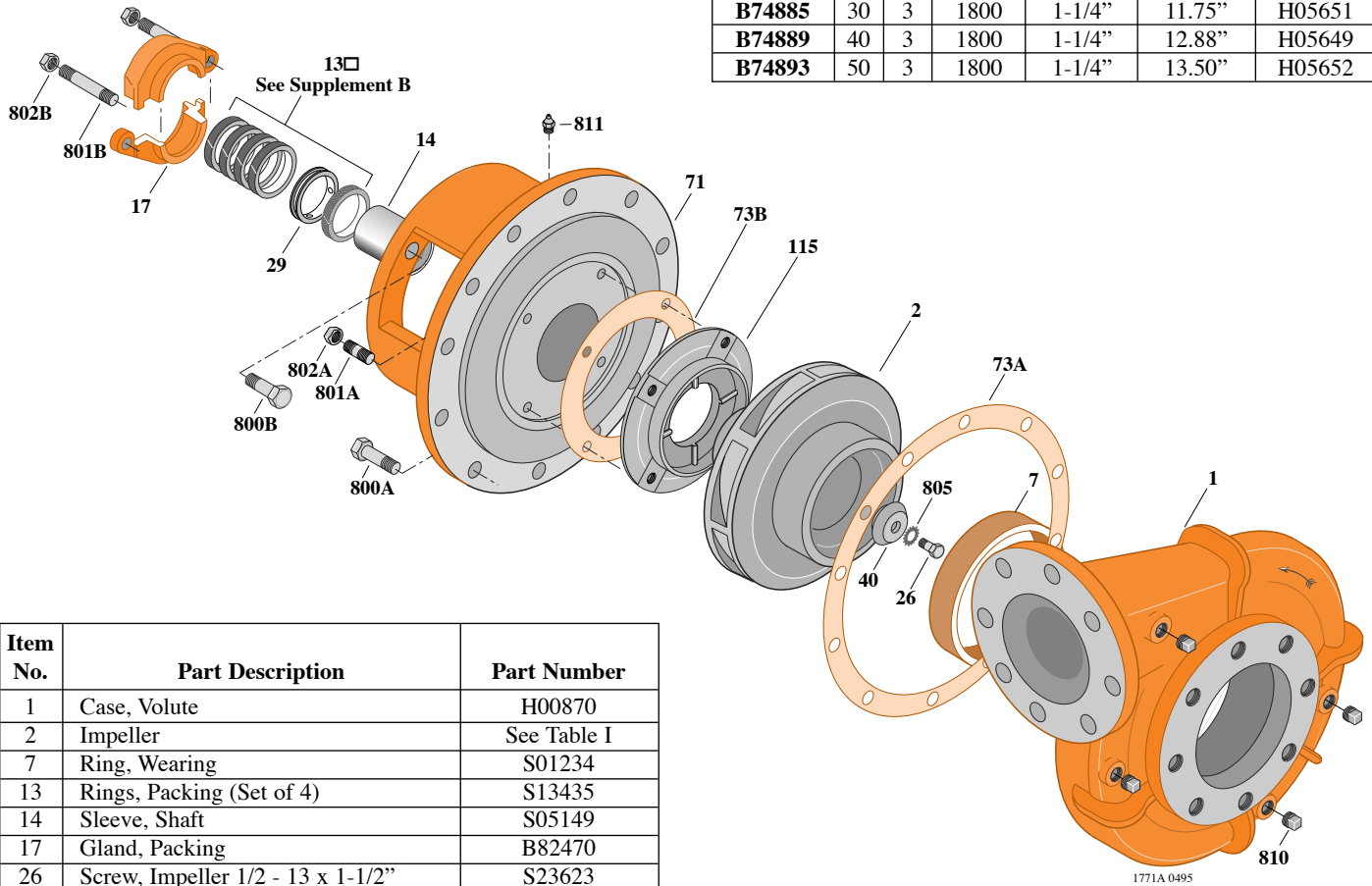
B6JPBL

Flanged Case

Packing Construction

TABLE I

| B/M No. | HP | PH | RPM | "U" Dim. | Imp. Dia. | Imp. No. |
|---------|----|----|------|----------|-----------|----------|
| B74881 | 25 | 3 | 1800 | 1-1/4" | 11.00" | H05650 |
| B74885 | 30 | 3 | 1800 | 1-1/4" | 11.75" | H05651 |
| B74889 | 40 | 3 | 1800 | 1-1/4" | 12.88" | H05649 |
| B74893 | 50 | 3 | 1800 | 1-1/4" | 13.50" | H05652 |



| Item No. | Part Description | Part Number |
|----------|---------------------------------------|--------------|
| 1 | Case, Volute | H00870 |
| 2 | Impeller | See Table I |
| 7 | Ring, Wearing | S01234 |
| 13 | Rings, Packing (Set of 4) | S13435 |
| 14 | Sleeve, Shaft | S05149 |
| 17 | Gland, Packing | B82470 |
| 26 | Screw, Impeller 1/2 - 13 x 1-1/2" | S23623 |
| 29 | Ring, Lantern | S19200 |
| 32 | Key, 1/4 x 2-1/4" (See Note) | S23677 |
| 40 | Deflector | S06319 |
| 71 | Bracket | See Table II |
| 73A | Gasket, Volute | S06271 |
| 73B | Gasket, Balance Ring | S09943 |
| 115 | Ring, Balance | S12315 |
| 800A | Capscrew, 5/8 - 11 x 1-1/2" (12 Req.) | S26999 |
| 800B | Capscrew, 5/8 - 11 x 1-1/2" (4 Req.) | S26999 |
| 801A | Stud, 3/8 - 16 x 1-3/4" (4 Req.) | S23996 |
| 801B | Stud, 3/8 - 16 x 2-1/2" (2 Req.) | S04438 |
| 802A | Nut, Hex 3/8 - 16 (4 Req.) | S23103 |
| 802B | Nut, Hex 3/8 - 16 (2 Req.) | S23343 |
| 805 | Washer, Lock | S23038 |
| 810 | Plug, Pipe 1/2" NPT (4 Req.) | S23717 |
| 811 | Fitting, Grease | S23700 |

TABLE II

| HP | PH | Bracket No. | "AK" Fit | "U" Dim. | Motor Frame |
|----|----|-------------|----------|----------|-------------|
| 25 | 3 | H01601 | 12-1/2" | 1-1/4" | 284JP |
| 30 | 3 | H01601 | 12-1/2" | 1-1/4" | 286JP |
| 40 | 3 | H01601 | 12-1/2" | 1-1/4" | 324JP |
| 50 | 3 | H01601 | 12-1/2" | 1-1/4" | 326JP |

NOTE: For an explanation of the tabulated material found on this page and for impeller key location, refer to *Supplement A* located at the beginning of this section.



TYPE "B" SINGLE STAGE CENTRIFUGAL PUMP Electric Motor Drive

| | |
|-------------------|-----------------|
| Section | CC |
| Page | 370.4 |
| Date | January 1, 2004 |
| Supersedes 9/1/97 | |

SILICON BRONZE IMPELLER

B6JPBLS

Flanged Case

Mechanical Shaft Seal Construction

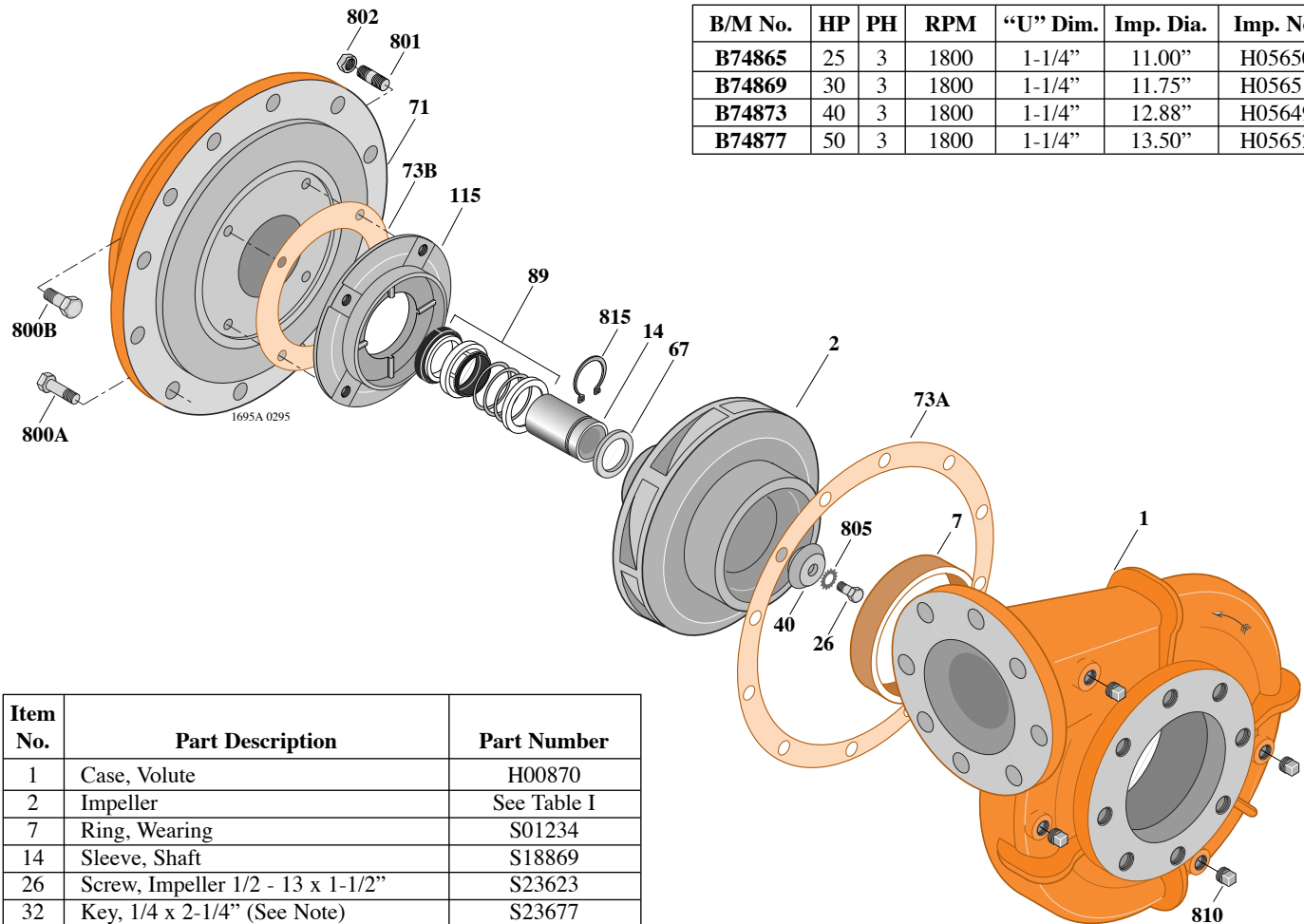


TABLE I

| B/M No. | HP | PH | RPM | "U" Dim. | Imp. Dia. | Imp. No. |
|---------|----|----|------|----------|-----------|----------|
| B74865 | 25 | 3 | 1800 | 1-1/4" | 11.00" | H05650 |
| B74869 | 30 | 3 | 1800 | 1-1/4" | 11.75" | H05651 |
| B74873 | 40 | 3 | 1800 | 1-1/4" | 12.88" | H05649 |
| B74877 | 50 | 3 | 1800 | 1-1/4" | 13.50" | H05652 |

| Item No. | Part Description | Part Number |
|----------|---------------------------------------|--------------|
| 1 | Case, Volute | H00870 |
| 2 | Impeller | See Table I |
| 7 | Ring, Wearing | S01234 |
| 14 | Sleeve, Shaft | S18869 |
| 26 | Screw, Impeller 1/2 - 13 x 1-1/2" | S23623 |
| 32 | Key, 1/4 x 2-1/4" (See Note) | S23677 |
| 40 | Deflector | S06319 |
| 67 | Ring, Spacer | S19349 |
| 71 | Bracket | See Table II |
| 73A | Gasket, Volute Case | S06271 |
| 73B | Gasket, Balance Ring | S09943 |
| 89 | Seal, Mechanical Shaft | S32015 |
| 115 | Ring, Balance | S19105 |
| 800A | Capscrew, 5/8 - 11 x 1-1/2" (12 Req.) | S26999 |
| 800B | Capscrew, 5/8 - 11 x 1-1/2" (4 Req.) | S26999 |
| 801 | Stud, 3/8 - 16 x 1-1/2" (4 Req.) | S23995 |
| 802 | Nut, 3/8 - 16 (4 Req.) | S23103 |
| 805 | Washer, Lock | S23038 |
| 810 | Plug, Pipe 1/2" NPT (4 Req.) | S23717 |
| 815 | Ring, Retaining | S16767 |
| • | Plug, Pipe 1/8" NPT (In Bracket) | S23714 |

• Not illustrated.

TABLE II

| HP | PH | Bracket No. | "AK" Fit | "U" Dim. | Motor Frame |
|----|----|-------------|----------|----------|-------------|
| 25 | 3 | H03301 | 12-1/2" | 1-1/4" | 284JM |
| 30 | 3 | H03301 | 12-1/2" | 1-1/4" | 286JM |
| 40 | 3 | H03301 | 12-1/2" | 1-1/4" | 324JM |
| 50 | 3 | H03301 | 12-1/2" | 1-1/4" | 326JM |

NOTE: For an explanation of the tabulated material found on this page and for impeller key location, refer to *Supplement A* located at the beginning of this section.

NOTE: For seal flush line details, see *Supplement D*.



TYPE "B" SINGLE STAGE CENTRIFUGAL PUMP Electric Motor Drive

| | |
|-------------------|-----------------|
| Section | CC |
| Page | 380.1 |
| Date | January 1, 2004 |
| Supersedes 6/1/95 | |

CAST IRON IMPELLER

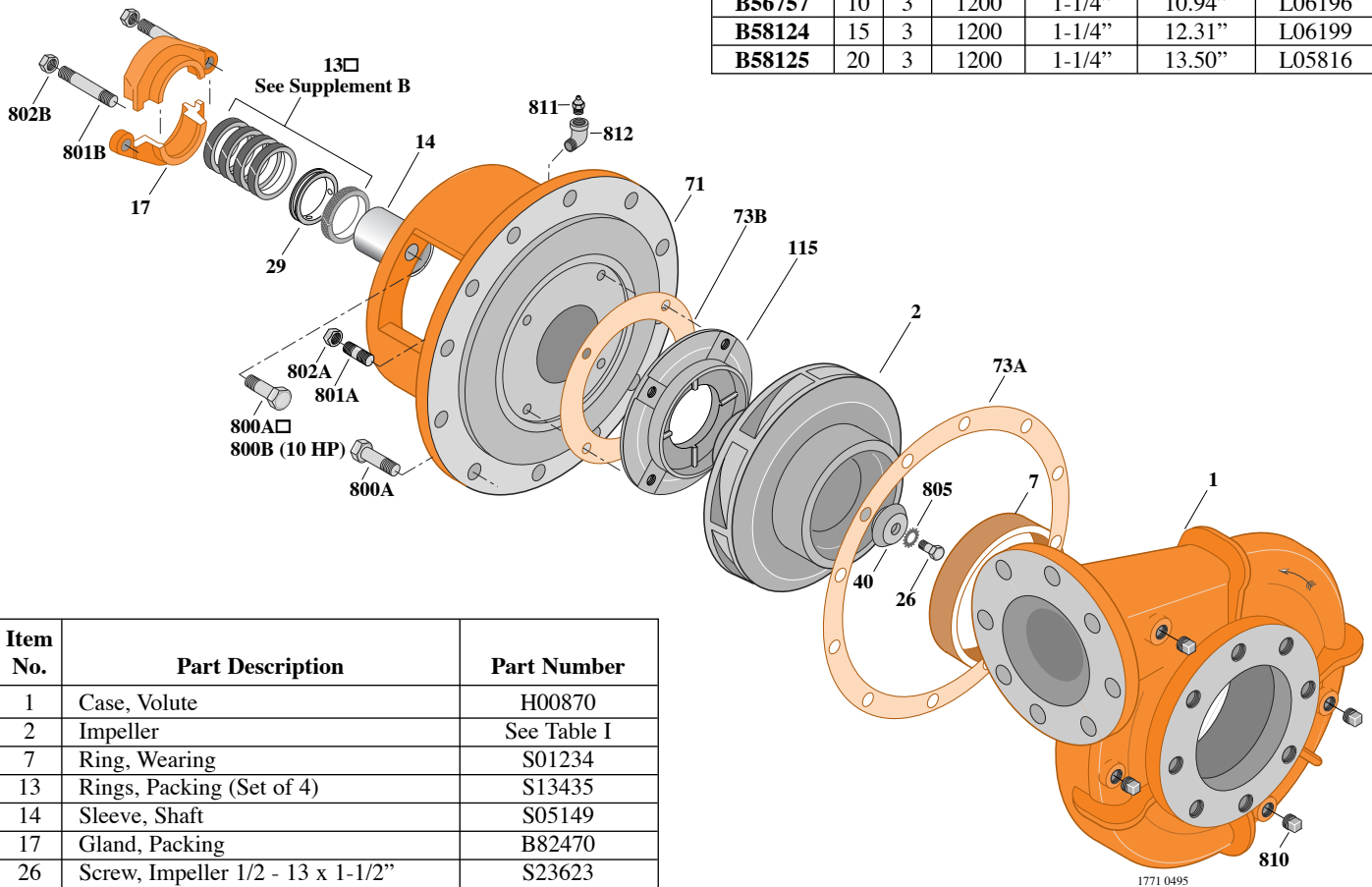
B6JPBM

Flanged Case

Packing Construction

TABLE I

| B/M No. | HP | PH | RPM | "U" Dim. | Imp. Dia. | Imp. No. |
|---------|----|----|------|----------|-----------|----------|
| B56757 | 10 | 3 | 1200 | 1-1/4" | 10.94" | L06196 |
| B58124 | 15 | 3 | 1200 | 1-1/4" | 12.31" | L06199 |
| B58125 | 20 | 3 | 1200 | 1-1/4" | 13.50" | L05816 |



| Item No. | Part Description | Part Number |
|----------|---------------------------------------|--------------|
| 1 | Case, Volute | H00870 |
| 2 | Impeller | See Table I |
| 7 | Ring, Wearing | S01234 |
| 13 | Rings, Packing (Set of 4) | S13435 |
| 14 | Sleeve, Shaft | S05149 |
| 17 | Gland, Packing | B82470 |
| 26 | Screw, Impeller 1/2 - 13 x 1-1/2" | S23623 |
| 29 | Ring, Lantern | S19200 |
| 32 | Key, 1/4 x 2-1/4" (See Note) | S23677 |
| 40 | Deflector | S18117 |
| 71 | Bracket | See Table II |
| 73A | Gasket, Volute | S06271 |
| 73B | Gasket, Balance Ring | S09943 |
| 115 | Ring, Balance | S12315 |
| 800A | Capscrew, 5/8 - 11 x 1-1/2" (12 Req.) | S26999 |
| 800B | Capscrew, 1/2 - 13 x 1-1/2" (4 Req.) | S26916 |
| 801A | Stud, 3/8 - 16 x 1-3/4" (4 Req.) | S23996 |
| 801B | Stud, 3/8 - 16 x 2-1/2" (2 Req.) | S04438 |
| 802A | Nut, Hex 3/8 - 16 (4 Req.) | S23103 |
| 802B | Nut, Hex 3/8 - 16 (2 Req.) | S23343 |
| 805 | Washer, Lock | S23038 |
| 810 | Plug, Pipe 1/2 NPT (4 Req.) | S23717 |
| 811 | Fitting, Grease | S23700 |
| 812 | Elbow, Street | S25421 |

TABLE II

| HP | PH | Bracket No. | "AK" Fit | "U" Dim. | Motor Frame |
|----|----|-------------|----------|----------|-------------|
| 10 | 3 | H02384 | 8-1/2" | 1-1/4" | 256JP |
| 15 | 3 | H01601 | 12-1/2" | 1-1/4" | 284JP |
| 20 | 3 | H01601 | 12-1/2" | 1-1/4" | 286JP |

NOTE: For an explanation of the tabulated material found on this page and for impeller key location, refer to *Supplement A* located at the beginning of this section.



TYPE "B" SINGLE STAGE CENTRIFUGAL PUMP Electric Motor Drive

| | |
|-------------------|-----------------|
| Section | CC |
| Page | 380.2 |
| Date | January 1, 2004 |
| Supersedes 6/1/95 | |

CAST IRON IMPELLER

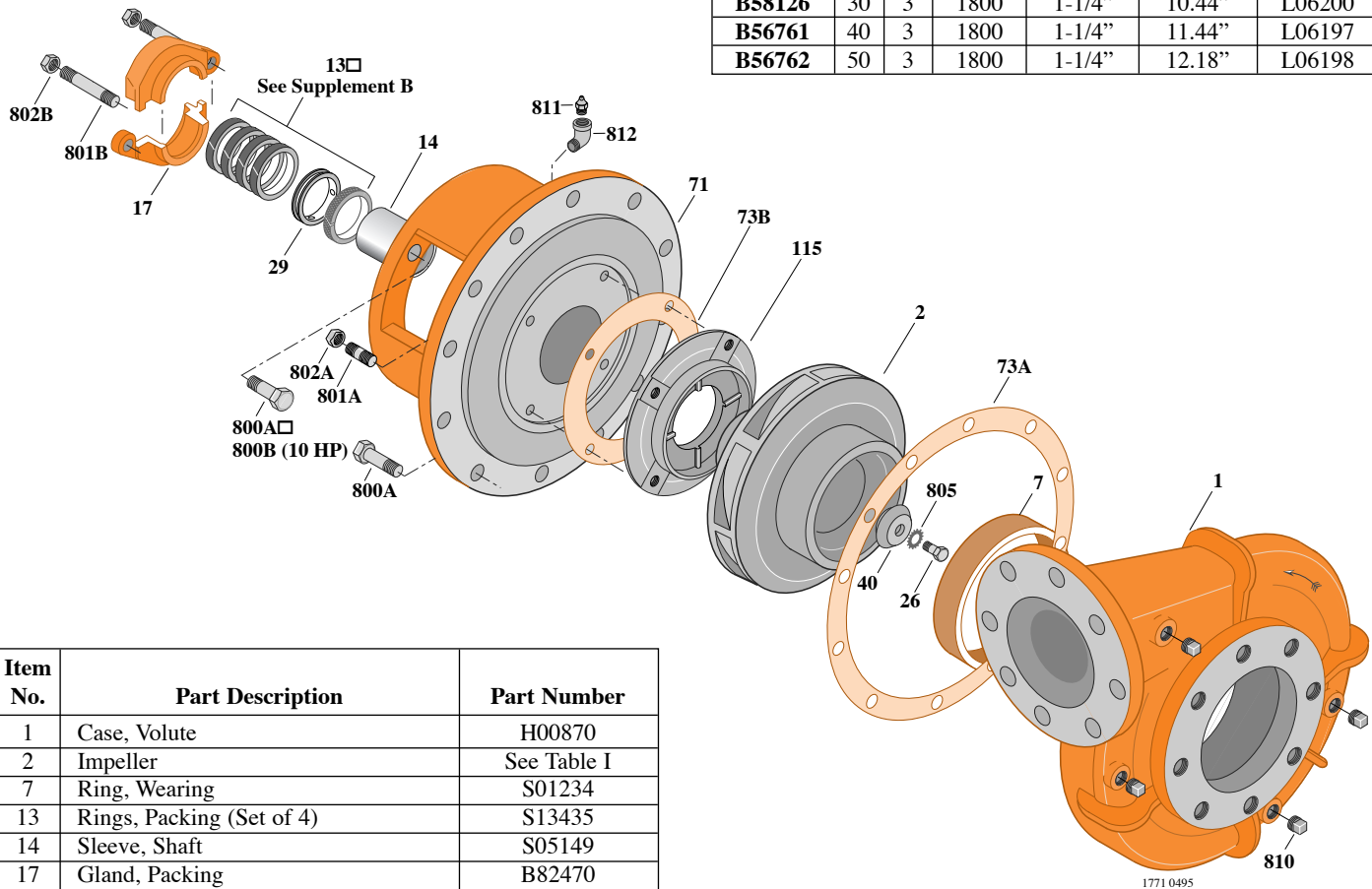
B6JPBM

Flanged Case

Packing Construction

TABLE I

| B/M No. | HP | PH | RPM | "U" Dim. | Imp. Dia. | Imp. No. |
|---------------|----|----|------|----------|-----------|----------|
| B58126 | 30 | 3 | 1800 | 1-1/4" | 10.44" | L06200 |
| B56761 | 40 | 3 | 1800 | 1-1/4" | 11.44" | L06197 |
| B56762 | 50 | 3 | 1800 | 1-1/4" | 12.18" | L06198 |



| Item No. | Part Description | Part Number |
|----------|---------------------------------------|--------------|
| 1 | Case, Volute | H00870 |
| 2 | Impeller | See Table I |
| 7 | Ring, Wearing | S01234 |
| 13 | Rings, Packing (Set of 4) | S13435 |
| 14 | Sleeve, Shaft | S05149 |
| 17 | Gland, Packing | B82470 |
| 26 | Screw, Impeller 1/2 - 13 x 1-1/2" | S23623 |
| 29 | Ring, Lantern | S19200 |
| 32 | Key, 1/4 x 2-1/4" (See Note) | S23677 |
| 40 | Deflector | S18117 |
| 71 | Bracket | See Table II |
| 73A | Gasket, Volute | S06271 |
| 73B | Gasket, Balance Ring | S09943 |
| 115 | Ring, Balance | S12315 |
| 800 | Capscrew, 5/8 - 11 x 1-1/2" (16 Req.) | S26999 |
| 801A | Stud, 3/8 - 16 x 1-3/4" (4 Req.) | S23996 |
| 801B | Stud, 3/8 - 16 x 2-1/2" (2 Req.) | S04438 |
| 802A | Nut, Hex 3/8 - 16 (4 Req.) | S23103 |
| 802B | Nut, Hex 3/8 - 16 (2 Req.) | S23343 |
| 805 | Washer, Lock | S23038 |
| 811 | Fitting, Grease | S23700 |
| 810 | Plug, Pipe 1/2 NPT (4 Req.) | S23717 |
| 812 | Elbow, Street | S25421 |

TABLE II

| HP | PH | Bracket No. | "AK" Fit | "U" Dim. | Motor Frame |
|----|----|-------------|----------|----------|-------------|
| 30 | 3 | H01601 | 12-1/2" | 1-1/4" | 286JP |
| 40 | 3 | H01601 | 12-1/2" | 1-1/4" | 324JP |
| 50 | 3 | H01601 | 12-1/2" | 1-1/4" | 326JP |

NOTE: For an explanation of the tabulated material found on this page and for impeller key location, refer to *Supplement A* located at the beginning of this section.



TYPE "B" SINGLE STAGE CENTRIFUGAL PUMP Electric Motor Drive

| | |
|-------------------|------------------|
| Section | CC |
| Page | 380.3 |
| Date | February 2, 2007 |
| Supersedes 1/1/04 | |

CAST IRON IMPELLER

B6JPBM

Flanged Case

Packing Construction

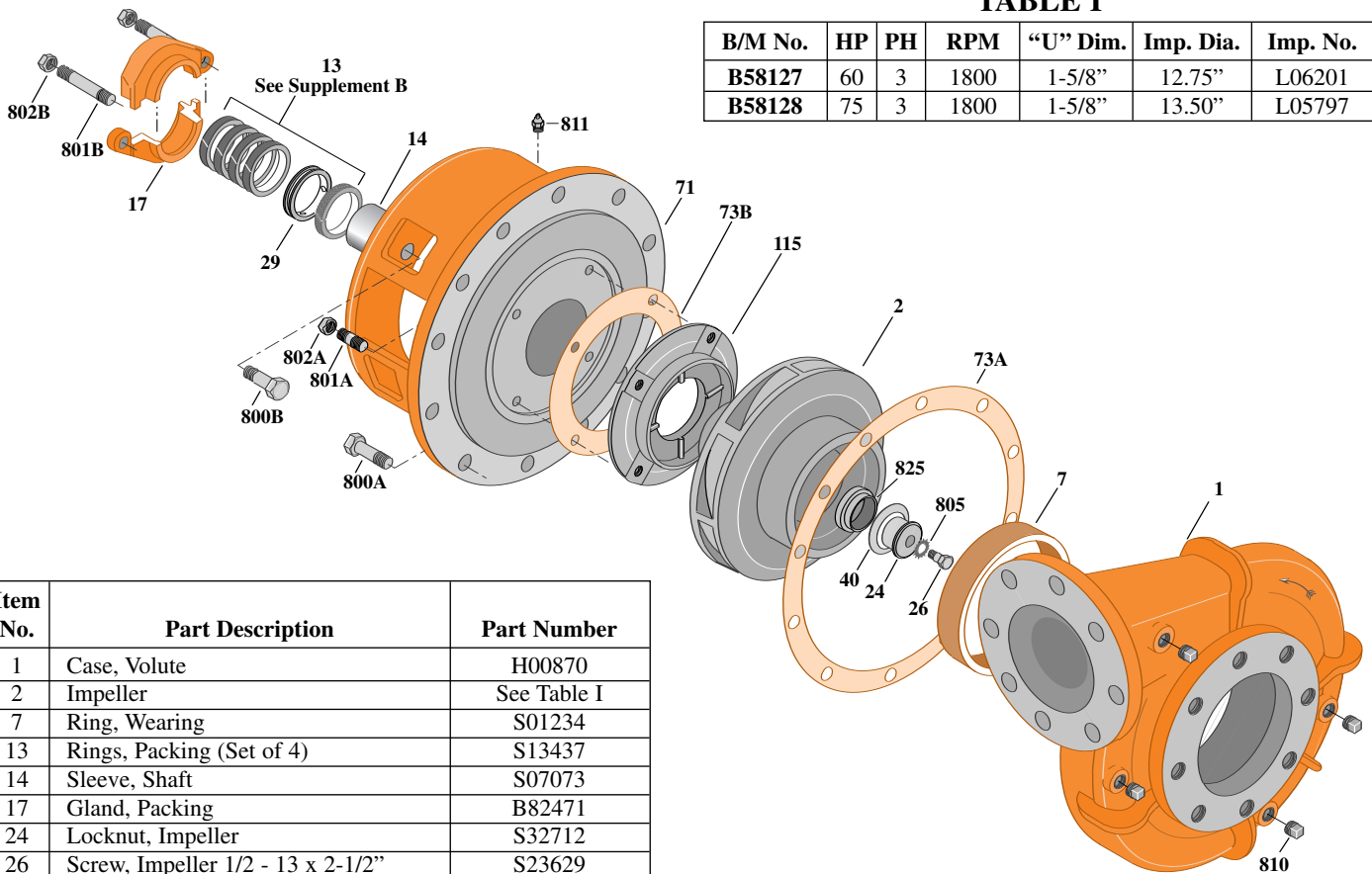


TABLE I

| B/M No. | HP | PH | RPM | "U" Dim. | Imp. Dia. | Imp. No. |
|---------|----|----|------|----------|-----------|----------|
| B58127 | 60 | 3 | 1800 | 1-5/8" | 12.75" | L06201 |
| B58128 | 75 | 3 | 1800 | 1-5/8" | 13.50" | L05797 |

| Item No. | Part Description | Part Number |
|----------|--|--------------|
| 1 | Case, Volute | H00870 |
| 2 | Impeller | See Table I |
| 7 | Ring, Wearing | S01234 |
| 13 | Rings, Packing (Set of 4) | S13437 |
| 14 | Sleeve, Shaft | S07073 |
| 17 | Gland, Packing | B82471 |
| 24 | Locknut, Impeller | S32712 |
| 26 | Screw, Impeller 1/2 - 13 x 2-1/2" | S23629 |
| 29 | Ring, Lantern | S19198 |
| 32 | Key, 3/8 x 2-1/4" (See Note) | S23940 |
| 40 | Deflector | S19864 |
| 71 | Bracket | See Table II |
| 73A | Gasket, Volute | S06271 |
| 73B | Gasket, Balance Ring | S09943 |
| 115 | Ring, Balance | S12334 |
| 800A | Capscrew, 5/8 - 11 x 1-1/2" (12 Req.) | S26999 |
| 800B | Capscrew, 5/8 - 11 x 1-3/4" (4 Req.) | S27001 |
| 801A | Stud, 3/8 - 16 x 1-3/4" (4 Req.) | S23996 |
| 801B | Stud, 3/8 - 16 x 2-1/2" (2 Req.) | S04438 |
| 802A | Nut, Hex 3/8 - 16 (4 Req.) | S23103 |
| 802B | Nut, Hex 3/8 - 16 (2 Req.) | S23343 |
| 805 | Washer, Lock | S23038 |
| 810A | Plug, Pipe 1/2 NPT (4 Req.) | S23717 |
| 810B | Plug, Pipe 1/4 NPT (2 Req.) (Not Illustrated) | S23715 |
| 811 | Fitting, Grease | S23700 |
| 812 | Elbow, Street | S25421 |
| 825 | Sleeve, Impeller Locknut | S31661 |

TABLE II

| HP | PH | Bracket No. | "AK" Fit | "U" Dim. | Motor Frame |
|----|----|-------------|----------|----------|-------------|
| 60 | 3 | H03622 | 12-1/2" | 1-5/8" | 364JP |
| 75 | 3 | H03622 | 12-1/2" | 1-5/8" | 365JP |

NOTE: For an explanation of the tabulated material found on this page and for impeller key location, refer to *Supplement A* located at the beginning of this section.



TYPE "B" SINGLE STAGE CENTRIFUGAL PUMP Electric Motor Drive

| | |
|-------------------|-----------------|
| Section | CC |
| Page | 380.4 |
| Date | January 1, 2004 |
| Supersedes 6/1/95 | |

CAST IRON IMPELLER

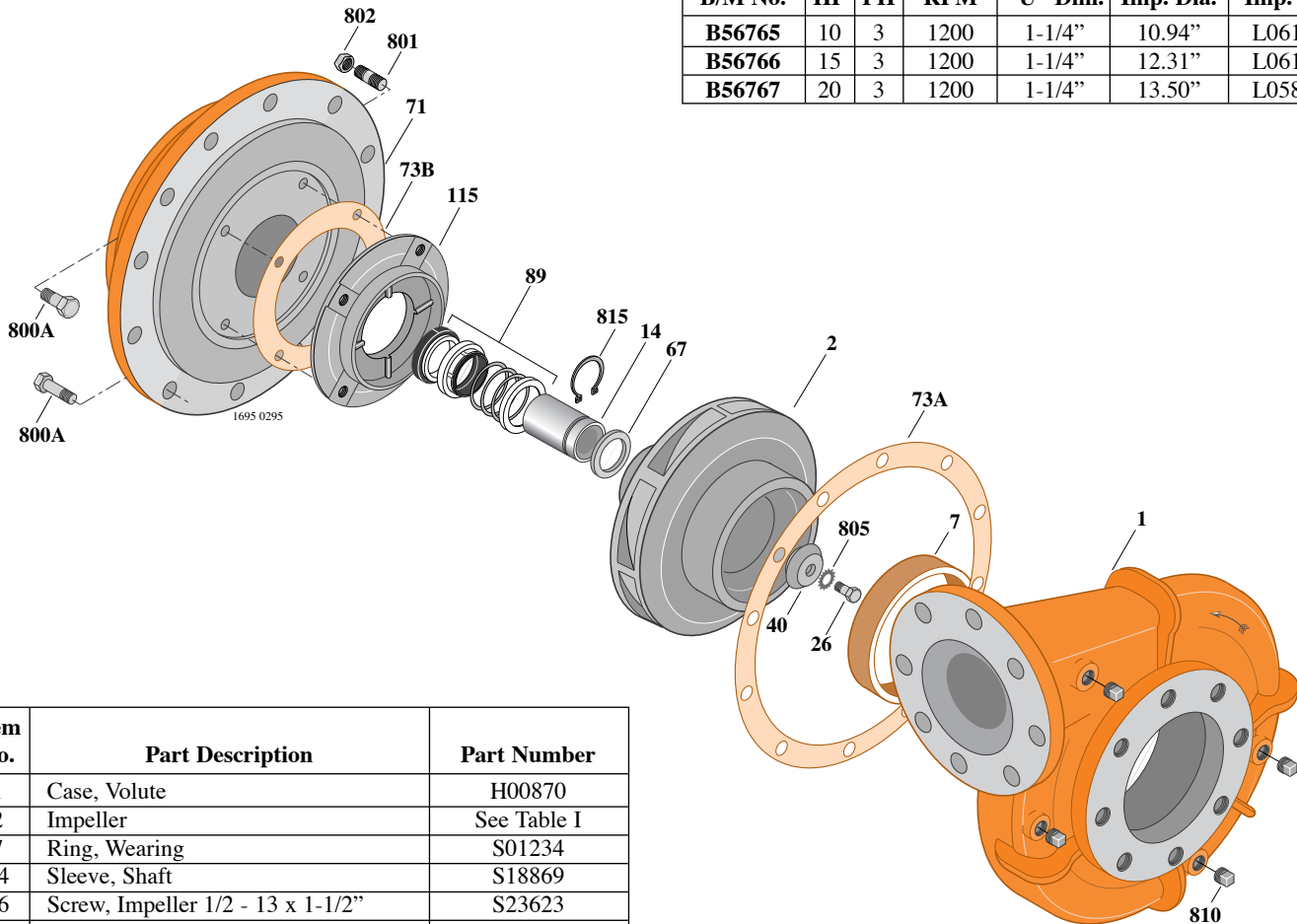
B6JPBMS

Flanged Case

Mechanical Shaft Seal Construction

TABLE I

| B/M No. | HP | PH | RPM | "U" Dim. | Imp. Dia. | Imp. No. |
|---------------|----|----|------|----------|-----------|----------|
| B56765 | 10 | 3 | 1200 | 1-1/4" | 10.94" | L06196 |
| B56766 | 15 | 3 | 1200 | 1-1/4" | 12.31" | L06199 |
| B56767 | 20 | 3 | 1200 | 1-1/4" | 13.50" | L05816 |



| Item No. | Part Description | Part Number |
|----------|--|--------------|
| 1 | Case, Volute | H00870 |
| 2 | Impeller | See Table I |
| 7 | Ring, Wearing | S01234 |
| 14 | Sleeve, Shaft | S18869 |
| 26 | Screw, Impeller 1/2 - 13 x 1-1/2" | S23623 |
| 32 | Key, 1/4 x 2-1/4" (See Note) | S23677 |
| 40 | Deflector | S18117 |
| 67 | Ring, Spacer | S19349 |
| 71 | Bracket | See Table II |
| 73A | Gasket, Volute Case | S06271 |
| 73B | Gasket, Balance Ring | S09943 |
| 89 | Seal, Mechanical Shaft | S32015 |
| 115 | Ring, Balance | S19105 |
| 800A | Capscrew, 5/8 - 11 x 1-1/2" (12 Req.-8-1/2 AK; 16 Req.-12-1/2 AK) | S26999 |
| 800B | Capscrew, 1/2 - 13 x 1-1/2" (4 Req.) (8-1/2 AK Only) | S26916 |
| 801 | Stud, 3/8 - 16 x 1-1/2" (4 Req.) | S23995 |
| 802 | Nut, 3/8 - 16 (4 Req.) | S23103 |
| 805 | Washer, Lock | S23038 |
| 810 | Plug, Pipe 1/2 NPT (4 Req.) | S23717 |
| 815 | Ring, Retaining | S16767 |

TABLE II

| HP | PH | Bracket No. | "AK" Fit | "U" Dim. | Motor Frame |
|----|----|-------------|----------|----------|-------------|
| 10 | 3 | H03300 | 8-1/2" | 1-1/4" | 256JM |
| 15 | 3 | H03301 | 12-1/2" | 1-1/4" | 284JM |
| 20 | 3 | H03301 | 12-1/2" | 1-1/4" | 286JM |

NOTE: For an explanation of the tabulated material found on this page and for impeller key location, refer to *Supplement A* located at the beginning of this section.



TYPE "B" SINGLE STAGE CENTRIFUGAL PUMP Electric Motor Drive

| | |
|-------------------|-----------------|
| Section | CC |
| Page | 380.5 |
| Date | January 1, 2004 |
| Supersedes 6/1/95 | |

CAST IRON IMPELLER

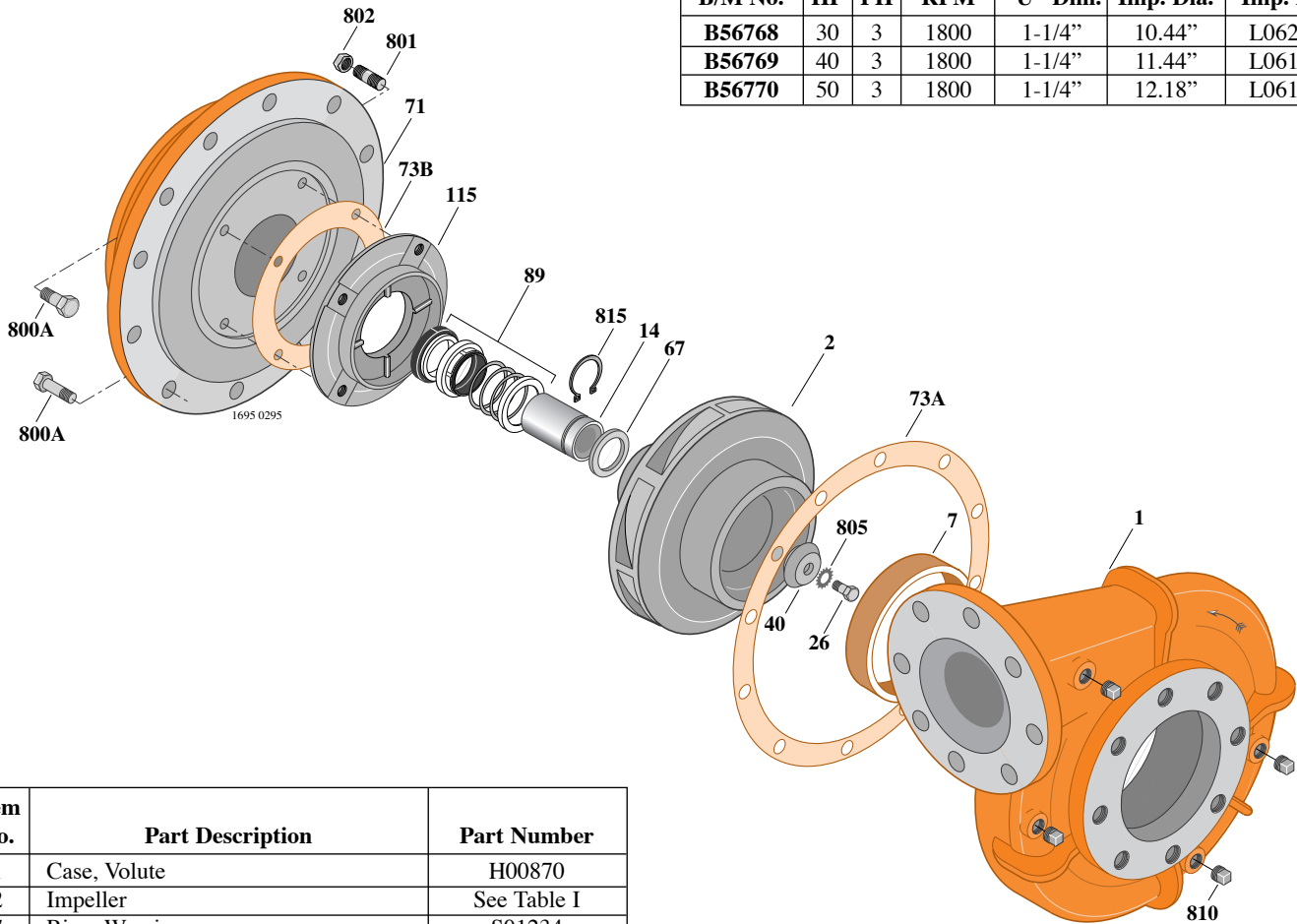
B6JPBMS

Flanged Case

Mechanical Shaft Seal Construction

TABLE I

| B/M No. | HP | PH | RPM | "U" Dim. | Imp. Dia. | Imp. No. |
|---------------|----|----|------|----------|-----------|----------|
| B56768 | 30 | 3 | 1800 | 1-1/4" | 10.44" | L06200 |
| B56769 | 40 | 3 | 1800 | 1-1/4" | 11.44" | L06197 |
| B56770 | 50 | 3 | 1800 | 1-1/4" | 12.18" | L06198 |



| Item No. | Part Description | Part Number |
|----------|---------------------------------------|--------------|
| 1 | Case, Volute | H00870 |
| 2 | Impeller | See Table I |
| 7 | Ring, Wearing | S01234 |
| 14 | Sleeve, Shaft | S18869 |
| 26 | Screw, Impeller 1/2 - 13 x 1-1/2" | S23623 |
| 32 | Key, 1/4 x 2-1/4" (See Note) | S23677 |
| 40 | Deflector | S18117 |
| 67 | Ring, Spacer | S19349 |
| 71 | Bracket | See Table II |
| 73A | Gasket, Volute Case | S06271 |
| 73B | Gasket, Balance Ring | S09943 |
| 89 | Seal, Mechanical Shaft | S32015 |
| 115 | Ring, Balance | S19105 |
| 800A | Capscrew, 5/8 - 11 x 1-1/2" (16 Req.) | S26999 |
| 801 | Stud, 3/8 - 16 x 1-1/2" (4 Req.) | S23995 |
| 802 | Nut, 3/8 - 16 (4 Req.) | S23103 |
| 805 | Washer, Lock | S23038 |
| 810 | Plug, Pipe 1/2 NPT (4 Req.) | S23717 |
| 815 | Ring, Retaining | S16767 |

TABLE II

| HP | PH | Bracket No. | "AK" Fit | "U" Dim. | Motor Frame |
|----|----|-------------|----------|----------|-------------|
| 30 | 3 | H03301 | 12-1/2" | 1-1/4" | 286JM |
| 40 | 3 | H03301 | 12-1/2" | 1-1/4" | 324JM |
| 50 | 3 | H03301 | 12-1/2" | 1-1/4" | 326JM |

NOTE: For an explanation of the tabulated material found on this page and for impeller key location, refer to *Supplement A* located at the beginning of this section.



TYPE "B" SINGLE STAGE CENTRIFUGAL PUMP Electric Motor Drive

| | |
|-------------------|------------------|
| Section | CC |
| Page | 380.6 |
| Date | February 2, 2007 |
| Supersedes 1/1/04 | |

CAST IRON IMPELLER

B6JPBMS

Flanged Case

Mechanical Shaft Seal Construction

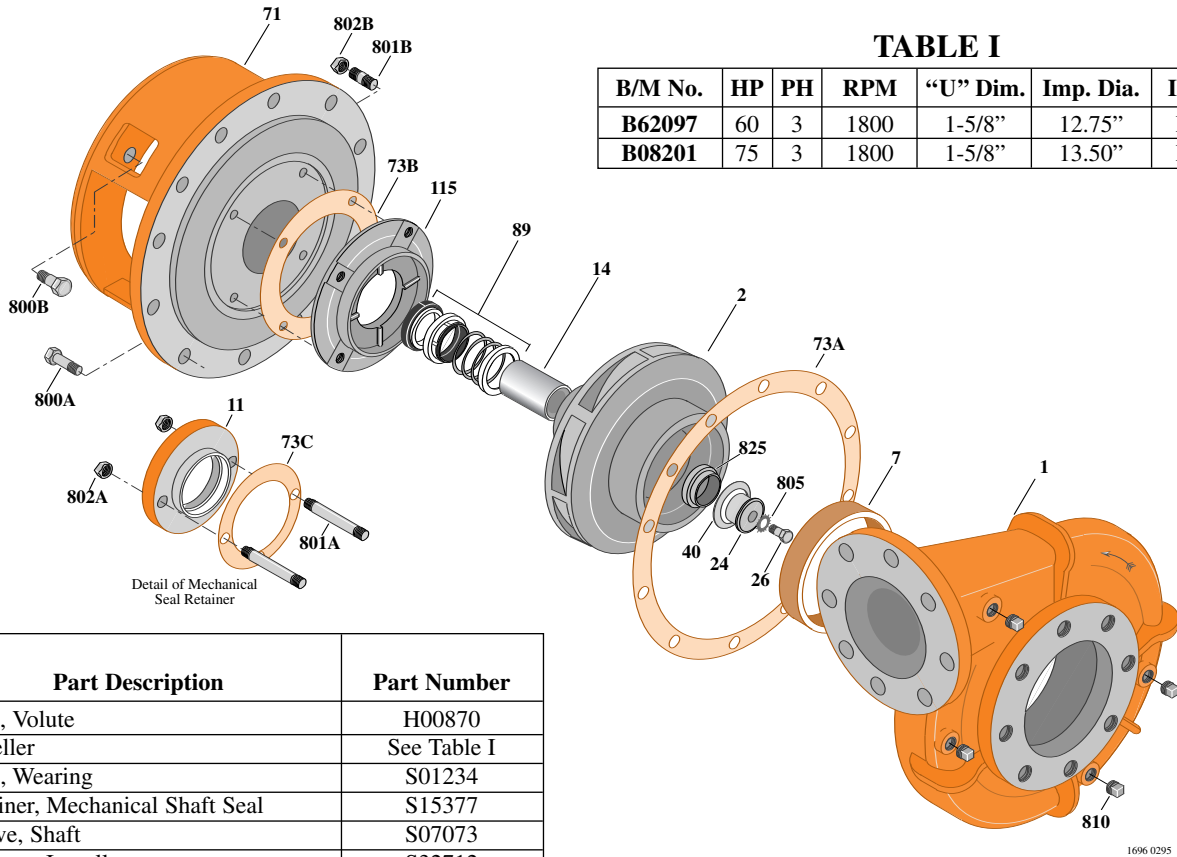


TABLE I

| B/M No. | HP | PH | RPM | "U" Dim. | Imp. Dia. | Imp. No. |
|---------|----|----|------|----------|-----------|----------|
| B62097 | 60 | 3 | 1800 | 1-5/8" | 12.75" | L06201 |
| B08201 | 75 | 3 | 1800 | 1-5/8" | 13.50" | L05797 |

| Item No. | Part Description | Part Number |
|----------|---------------------------------------|--------------|
| 1 | Case, Volute | H00870 |
| 2 | Impeller | See Table I |
| 7 | Ring, Wearing | S01234 |
| 11 | Retainer, Mechanical Shaft Seal | S15377 |
| 14 | Sleeve, Shaft | S07073 |
| 24 | Locknut, Impeller | S32712 |
| 26 | Screw, Impeller 1/2 - 13 x 2-1/2" | S23629 |
| 32 | Key, 3/8 x 2-1/4" (See Note) | S23940 |
| 40 | Deflector | S19864 |
| 71 | Bracket | See Table II |
| 73A | Gasket, Volute Case | S06271 |
| 73B | Gasket, Balance Ring | S09943 |
| 73C | Gasket, Seal Retainer | S15078 |
| 89 | Seal, Mechanical Shaft | S32016 |
| 115 | Ring, Balance | S12334 |
| 800A | Capscrew, 5/8 - 11 x 1-1/2" (12 Req.) | S26999 |
| 800B | Capscrew, 5/8 - 11 x 1-3/4" (4 Req.) | S27001 |
| 801A | Stud, 3/8 - 16 x 2-1/2" (2 Req.) | S04438 |
| 802A | Nut, 3/8 - 16 (2 Req.) | S23343 |
| 801B | Stud, 3/8 - 16 x 1-3/4" (4 Req.) | S23996 |
| 802B | Nut, 3/8 - 16 (4 Req.) | S23103 |
| 805 | Washer, Lock | S23038 |
| 810 | Plug, Pipe 1/2 NPT (4 Req.) | S23717 |
| 820 | Connector, Comp. Fitting (2 Req.) | S24013 |
| 822 | Tubing, Copper | S20677 |
| 825 | Sleeve, Impeller Locknut | S31661 |
| • | Plug, Pipe 1/8 NPT (Not Illustrated) | S23714 |
| • | Plug, Pipe 1/4 NPT (Not Illustrated) | S23715 |

TABLE II

| HP | PH | Bracket No. | "AK" Fit | "U" Dim. | Motor Frame |
|----|----|-------------|----------|----------|-------------|
| 60 | 3 | H03936 | 12-1/2" | 1-5/8" | 364JP |
| 75 | 3 | H03936 | 12-1/2" | 1-5/8" | 365JP |

NOTE: For an explanation of the tabulated material found on this page and for impeller key location, refer to *Supplement A* located at the beginning of this section.



TYPE "B" SINGLE STAGE CENTRIFUGAL PUMP Electric Motor Drive

| | |
|-------------------|------------------|
| Section | CC |
| Page | 380.7 |
| Date | February 2, 2007 |
| Supersedes 1/1/04 | |

SILICON BRONZE IMPELLER

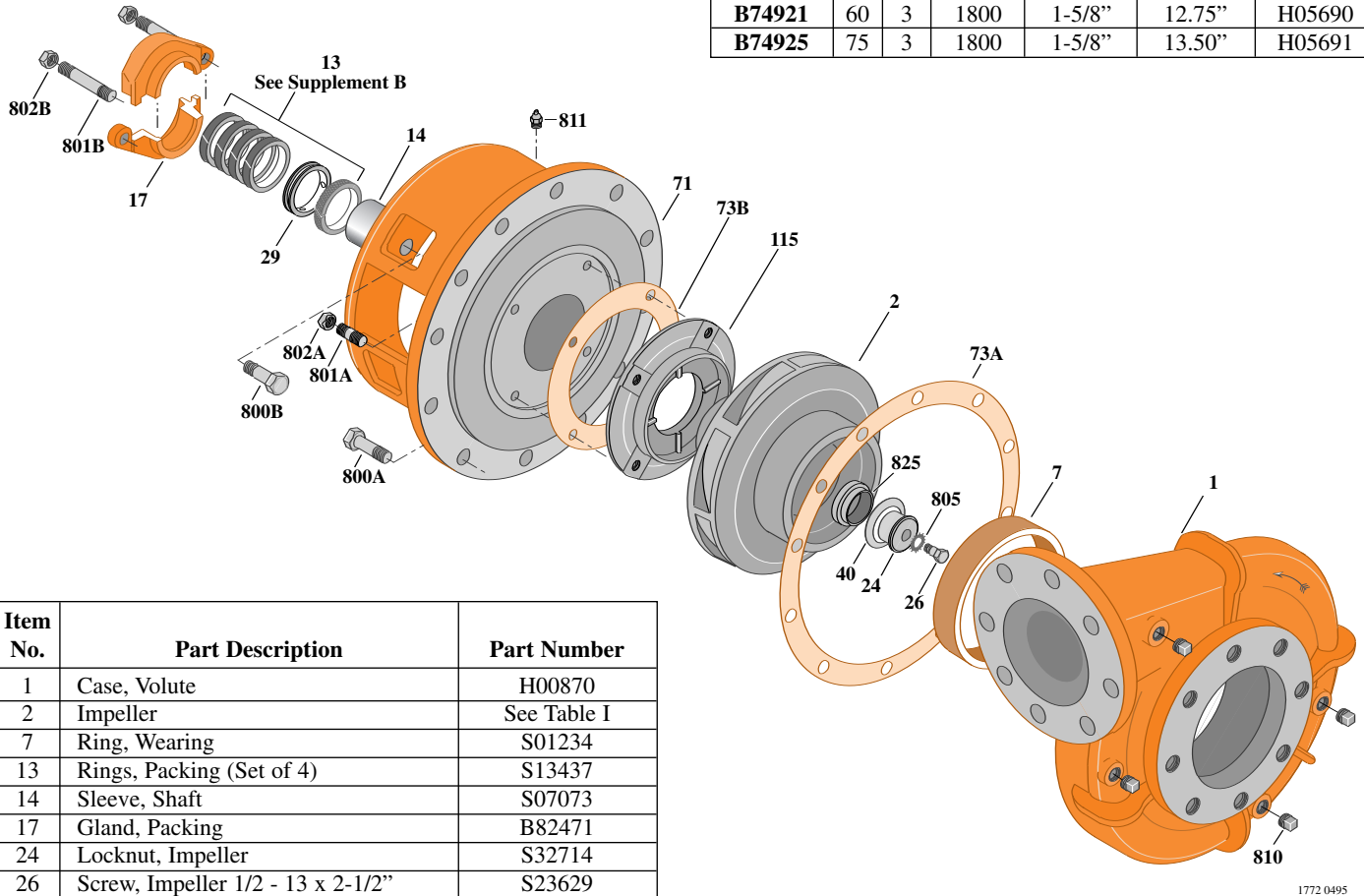
B6JPBM

Flanged Case

Packing Construction

TABLE I

| B/M No. | HP | PH | RPM | "U" Dim. | Imp. Dia. | Imp. No. |
|---------|----|----|------|----------|-----------|----------|
| B74921 | 60 | 3 | 1800 | 1-5/8" | 12.75" | H05690 |
| B74925 | 75 | 3 | 1800 | 1-5/8" | 13.50" | H05691 |



| Item No. | Part Description | Part Number |
|----------|---------------------------------------|--------------|
| 1 | Case, Volute | H00870 |
| 2 | Impeller | See Table I |
| 7 | Ring, Wearing | S01234 |
| 13 | Rings, Packing (Set of 4) | S13437 |
| 14 | Sleeve, Shaft | S07073 |
| 17 | Gland, Packing | B82471 |
| 24 | Locknut, Impeller | S32714 |
| 26 | Screw, Impeller 1/2 - 13 x 2-1/2" | S23629 |
| 29 | Ring, Lantern | S19198 |
| 32 | Key, 3/8 x 2-1/4" (See Note) | S23940 |
| 40 | Deflector | S19864 |
| 71 | Bracket | See Table II |
| 73A | Gasket, Volute | S06271 |
| 73B | Gasket, Balance Ring | S09943 |
| 115 | Ring, Balance | S12334 |
| 800A | Capscrew, 5/8 - 11 x 1-1/2" (12 Req.) | S26999 |
| 800B | Capscrew, 5/8 - 11 x 1-3/4" (4 Req.) | S27001 |
| 801A | Stud, 3/8 - 16 x 1-3/4" (4 Req.) | S23996 |
| 801B | Stud, 3/8 - 16 x 2-1/2" (2 Req.) | S04438 |
| 802A | Nut, Hex 3/8 - 16 (4 Req.) | S23103 |
| 802B | Nut, Hex 3/8 - 16 (2 Req.) | S23343 |
| 805 | Washer, Lock | S23038 |
| 810 | Plug, Pipe 1/2" NPT (4 Req.) | S23717 |
| 811 | Fitting, Grease | S23700 |
| 825 | Sleeve, Impeller Locknut | S31661 |

TABLE II

| HP | PH | Bracket No. | "AK" Fit | "U" Dim. | Motor Frame |
|----|----|-------------|----------|----------|-------------|
| 60 | 3 | H03622 | 12-1/2" | 1-5/8" | 364JP |
| 75 | 3 | H03622 | 12-1/2" | 1-5/8" | 365JP |

NOTE: For an explanation of the tabulated material found on this page and for impeller key location, refer to *Supplement A* located at the beginning of this section.



TYPE "B" SINGLE STAGE CENTRIFUGAL PUMP Electric Motor Drive

| | |
|-------------------|-----------------|
| Section | CC |
| Page | 380.8 |
| Date | January 1, 2004 |
| Supersedes 9/1/97 | |

SILICON BRONZE IMPELLER

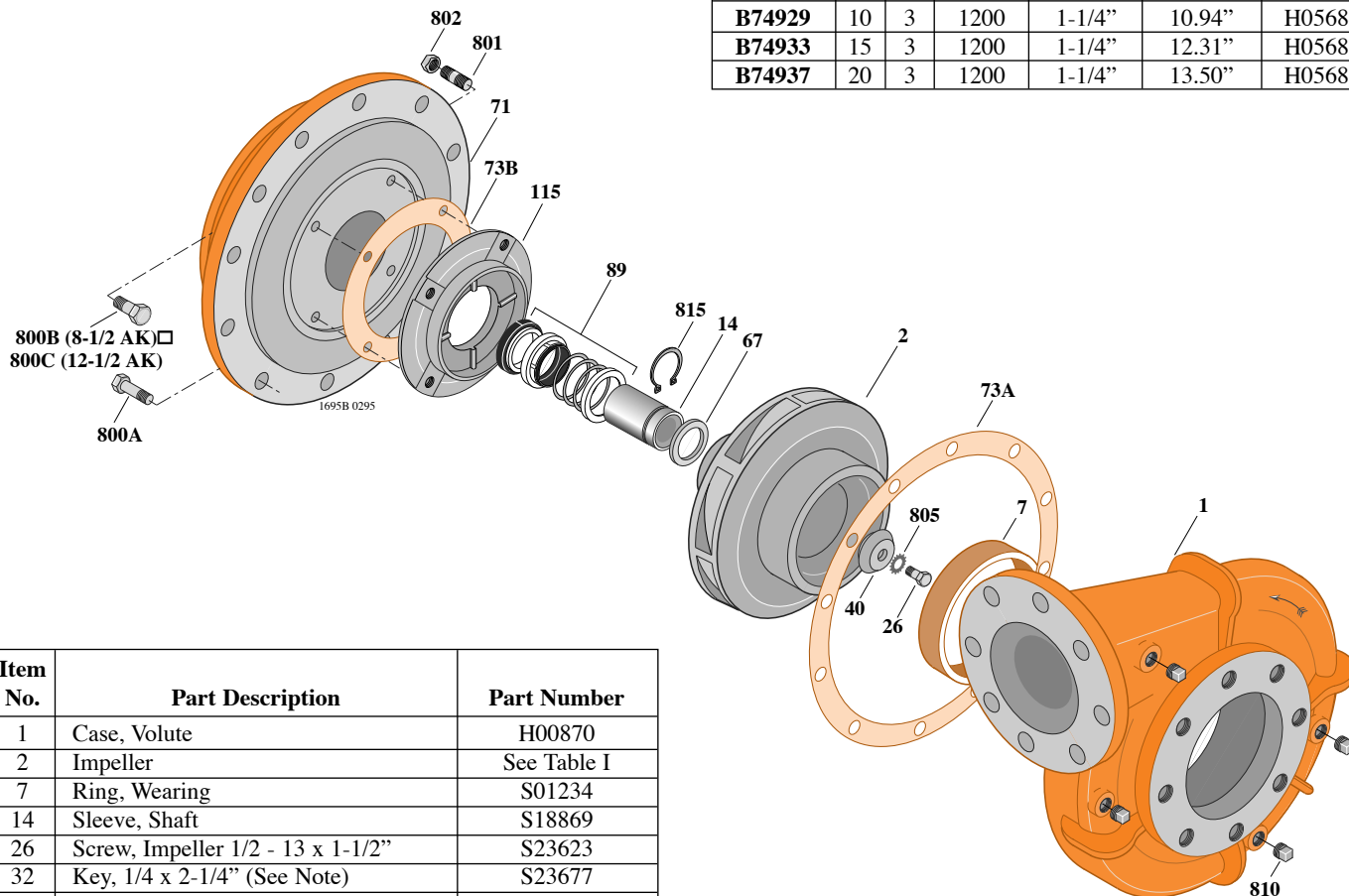
B6JPBMS

Flanged Case

Mechanical Shaft Seal Construction

TABLE I

| B/M No. | HP | PH | RPM | "U" Dim. | Imp. Dia. | Imp. No. |
|---------------|----|----|------|----------|-----------|----------|
| B74929 | 10 | 3 | 1200 | 1-1/4" | 10.94" | H05684 |
| B74933 | 15 | 3 | 1200 | 1-1/4" | 12.31" | H05687 |
| B74937 | 20 | 3 | 1200 | 1-1/4" | 13.50" | H05689 |



| Item No. | Part Description | Part Number |
|----------|---------------------------------------|--------------|
| 1 | Case, Volute | H00870 |
| 2 | Impeller | See Table I |
| 7 | Ring, Wearing | S01234 |
| 14 | Sleeve, Shaft | S18869 |
| 26 | Screw, Impeller 1/2 - 13 x 1-1/2" | S23623 |
| 32 | Key, 1/4 x 2-1/4" (See Note) | S23677 |
| 40 | Deflector | S18117 |
| 67 | Ring, Spacer | S19349 |
| 71 | Bracket | See Table II |
| 73A | Gasket, Volute Case | S06271 |
| 73B | Gasket, Balance Ring | S09943 |
| 89 | Seal, Mechanical Shaft | S32015 |
| 115 | Ring, Balance | S19105 |
| 800A | Capscrew, 5/8 - 11 x 1-1/2" (12 Req.) | S26999 |
| 800B | Capscrew, 1/2 - 13 x 1-1/2" (4 Req.) | S26916 |
| 800C | Capscrew, 5/8 - 11 x 1-1/2" (4 Req.) | S26999 |
| 801 | Stud, 3/8 - 16 x 1-1/2" (4 Req.) | S23995 |
| 802 | Nut, 3/8 - 16 (4 Req.) | S23103 |
| 805 | Washer, Lock | S23038 |
| 810 | Plug, Pipe 1/2" NPT (4 Req.) | S23717 |
| 815 | Ring, Retaining | S16767 |
| • | Plug, Pipe 1/8" NPT (In Bracket) | S23714 |

TABLE II

| HP | PH | Bracket No. | "AK" Fit | "U" Dim. | Motor Frame |
|----|----|-------------|----------|----------|-------------|
| 10 | 3 | H03300 | 8-1/2" | 1-1/4" | 256JM |
| 15 | 3 | H03301 | 12-1/2" | 1-1/4" | 284JM |
| 20 | 3 | H03301 | 12-1/2" | 1-1/4" | 286JM |

NOTE: For an explanation of the tabulated material found on this page and for impeller key location, refer to *Supplement A* located at the beginning of this section.

NOTE: For seal flush line details, see *Supplement D*.

• Not illustrated.



TYPE "B" SINGLE STAGE CENTRIFUGAL PUMP Electric Motor Drive

| | |
|-------------------|-----------------|
| Section | CC |
| Page | 380.9 |
| Date | January 1, 2004 |
| Supersedes 9/1/97 | |

SILICON BRONZE IMPELLER

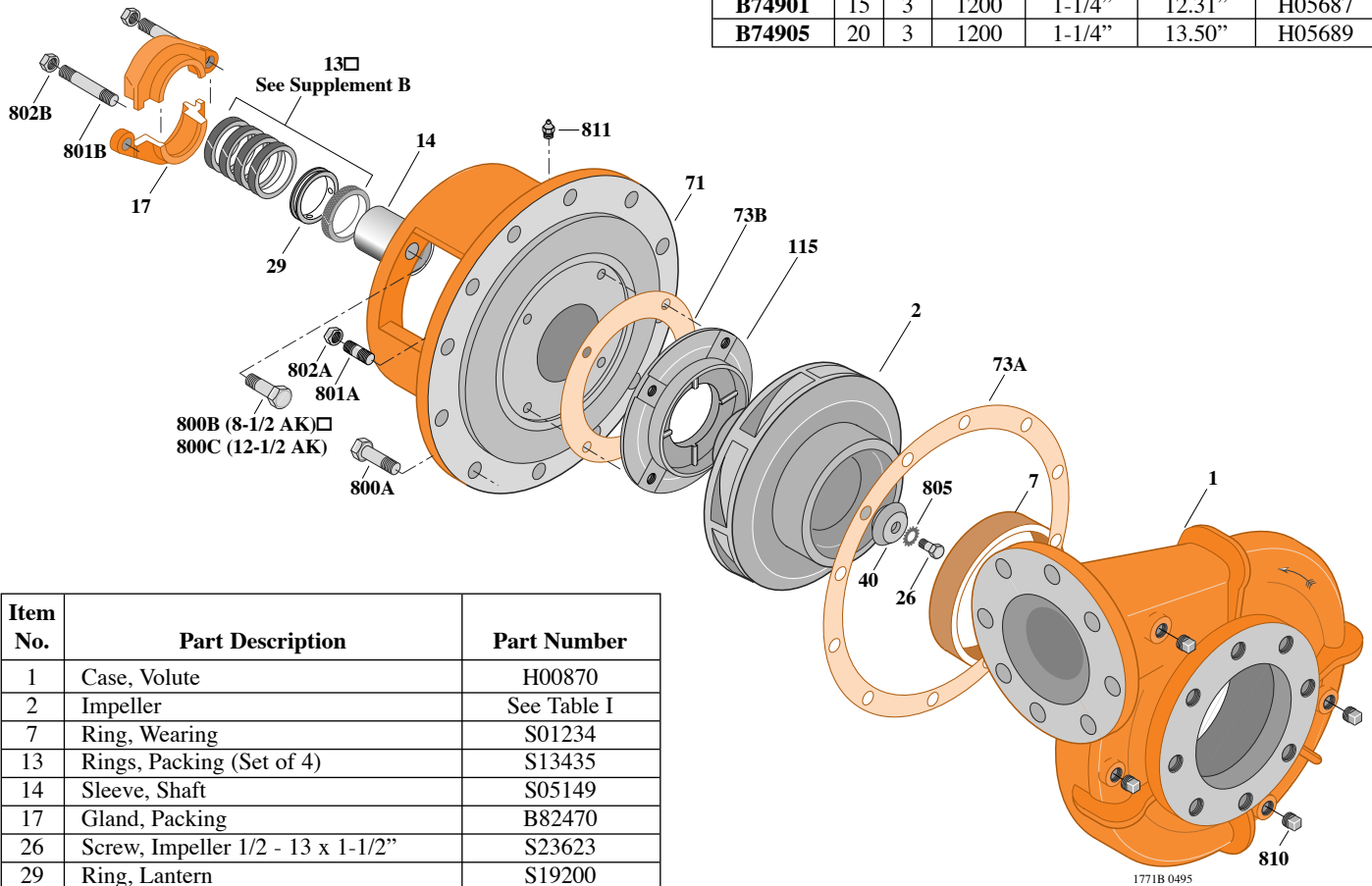
B6JPBM

Flanged Case

Packing Construction

TABLE I

| B/M No. | HP | PH | RPM | "U" Dim. | Imp. Dia. | Imp. No. |
|---------|----|----|------|----------|-----------|----------|
| B74897 | 10 | 3 | 1200 | 1-1/4" | 10.94" | H05684 |
| B74901 | 15 | 3 | 1200 | 1-1/4" | 12.31" | H05687 |
| B74905 | 20 | 3 | 1200 | 1-1/4" | 13.50" | H05689 |



| Item No. | Part Description | Part Number |
|----------|---------------------------------------|--------------|
| 1 | Case, Volute | H00870 |
| 2 | Impeller | See Table I |
| 7 | Ring, Wearing | S01234 |
| 13 | Rings, Packing (Set of 4) | S13435 |
| 14 | Sleeve, Shaft | S05149 |
| 17 | Gland, Packing | B82470 |
| 26 | Screw, Impeller 1/2 - 13 x 1-1/2" | S23623 |
| 29 | Ring, Lantern | S19200 |
| 32 | Key, 1/4 x 2-1/4" (See Note) | S23677 |
| 40 | Deflector | S18117 |
| 71 | Bracket | See Table II |
| 73A | Gasket, Volute | S06271 |
| 73B | Gasket, Balance Ring | S09943 |
| 115 | Ring, Balance | S12315 |
| 800A | Capscrew, 5/8 - 11 x 1-1/2" (12 Req.) | S26999 |
| 800B | Capscrew, 1/2 - 13 x 1-1/2" (4 Req.) | S26916 |
| 800C | Capscrew, 5/8 - 11 x 1-1/2" (4 Req.) | S26999 |
| 801A | Stud, 3/8 - 16 x 1-3/4" (4 Req.) | S23996 |
| 801B | Stud, 3/8 - 16 x 2-1/2" (2 Req.) | S04438 |
| 802A | Nut, Hex 3/8 - 16 (4 Req.) | S23103 |
| 802B | Nut, Hex 3/8 - 16 (2 Req.) | S23343 |
| 805 | Washer, Lock | S23038 |
| 810 | Plug, Pipe 1/2" NPT (4 Req.) | S23717 |
| 811 | Fitting, Grease | S23700 |

TABLE II

| HP | PH | Bracket No. | "AK" Fit | "U" Dim. | Motor Frame |
|----|----|-------------|----------|----------|-------------|
| 10 | 3 | H02384 | 8-1/2" | 1-1/4" | 256JP |
| 15 | 3 | H01601 | 12-1/2" | 1-1/4" | 284JP |
| 20 | 3 | H01601 | 12-1/2" | 1-1/4" | 286JP |

NOTE: For an explanation of the tabulated material found on this page and for impeller key location, refer to *Supplement A* located at the beginning of this section.



TYPE "B" SINGLE STAGE CENTRIFUGAL PUMP Electric Motor Drive

| | |
|-------------------|-----------------|
| Section | CC |
| Page | 380.10 |
| Date | January 1, 2004 |
| Supersedes 9/1/97 | |

SILICON BRONZE IMPELLER

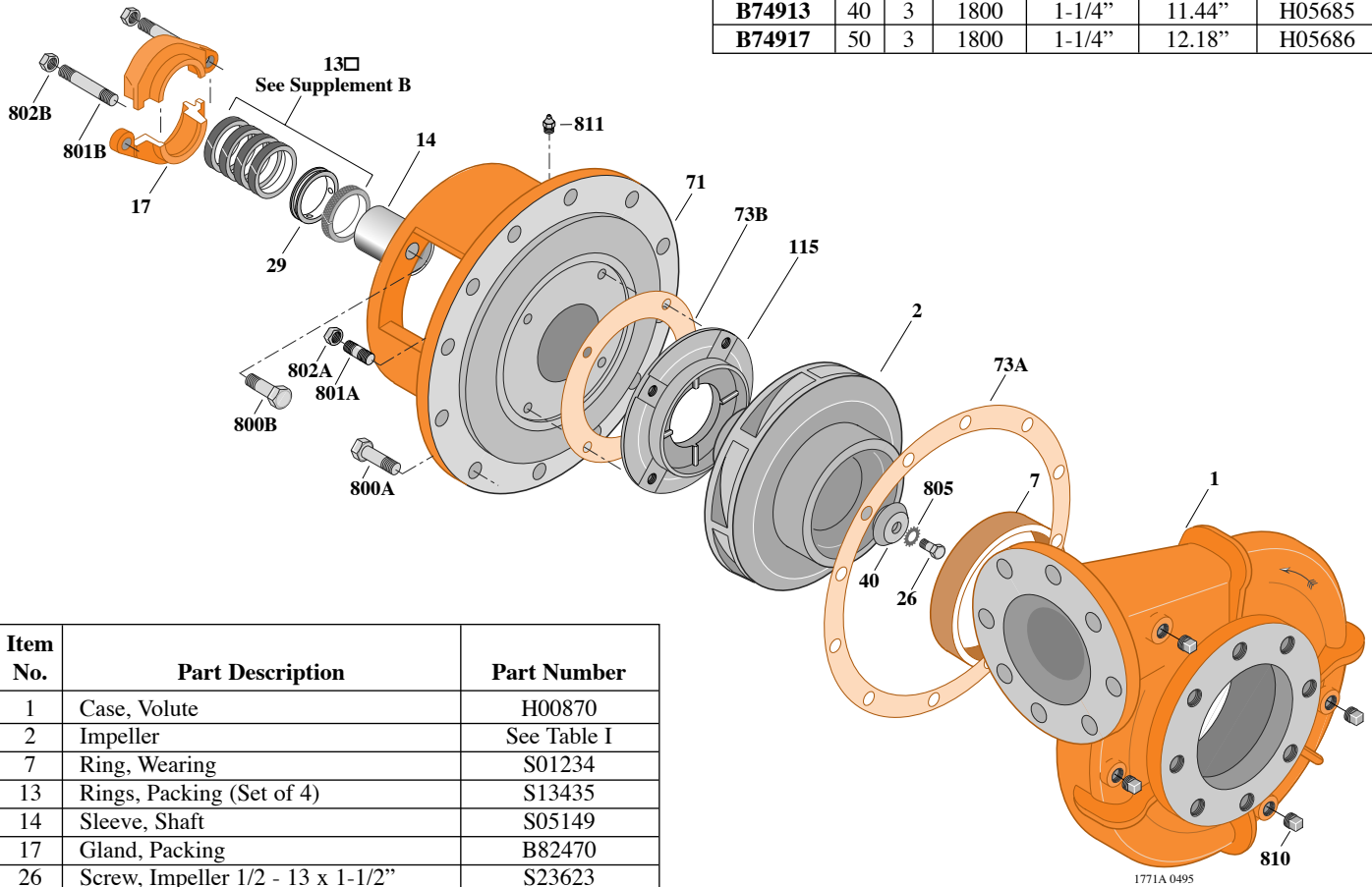
B6JPBM

Flanged Case

Packing Construction

TABLE I

| B/M No. | HP | PH | RPM | "U" Dim. | Imp. Dia. | Imp. No. |
|---------|----|----|------|----------|-----------|----------|
| B74909 | 30 | 3 | 1800 | 1-1/4" | 10.44" | H05682 |
| B74913 | 40 | 3 | 1800 | 1-1/4" | 11.44" | H05685 |
| B74917 | 50 | 3 | 1800 | 1-1/4" | 12.18" | H05686 |



| Item No. | Part Description | Part Number |
|----------|---------------------------------------|--------------|
| 1 | Case, Volute | H00870 |
| 2 | Impeller | See Table I |
| 7 | Ring, Wearing | S01234 |
| 13 | Rings, Packing (Set of 4) | S13435 |
| 14 | Sleeve, Shaft | S05149 |
| 17 | Gland, Packing | B82470 |
| 26 | Screw, Impeller 1/2 - 13 x 1-1/2" | S23623 |
| 29 | Ring, Lantern | S19200 |
| 32 | Key, 1/4 x 2-1/4" (See Note) | S23677 |
| 40 | Deflector | S18117 |
| 71 | Bracket | See Table II |
| 73A | Gasket, Volute | S06271 |
| 73B | Gasket, Balance Ring | S09943 |
| 115 | Ring, Balance | S12315 |
| 800A | Capscrew, 5/8 - 11 x 1-1/2" (12 Req.) | S26999 |
| 800B | Capscrew, 5/8 - 11 x 1-1/2" (4 Req.) | S26999 |
| 801A | Stud, 3/8 - 16 x 1-3/4" (4 Req.) | S23996 |
| 801B | Stud, 3/8 - 16 x 2-1/2" (2 Req.) | S04438 |
| 802A | Nut, Hex 3/8 - 16 (4 Req.) | S23103 |
| 802B | Nut, Hex 3/8 - 16 (2 Req.) | S23343 |
| 805 | Washer, Lock | S23038 |
| 810 | Plug, Pipe 1/2" NPT (4 Req.) | S23717 |
| 811 | Fitting, Grease | S23700 |

TABLE II

| HP | PH | Bracket No. | "AK" Fit | "U" Dim. | Motor Frame |
|----|----|-------------|----------|----------|-------------|
| 30 | 3 | H01601 | 12-1/2" | 1-1/4" | 286JP |
| 40 | 3 | H01601 | 12-1/2" | 1-1/4" | 324JP |
| 50 | 3 | H01601 | 12-1/2" | 1-1/4" | 326JP |

NOTE: For an explanation of the tabulated material found on this page and for impeller key location, refer to *Supplement A* located at the beginning of this section.



TYPE "B" SINGLE STAGE CENTRIFUGAL PUMP Electric Motor Drive

| | |
|-------------------|-----------------|
| Section | CC |
| Page | 380.11 |
| Date | January 1, 2004 |
| Supersedes 9/1/97 | |

SILICON BRONZE IMPELLER

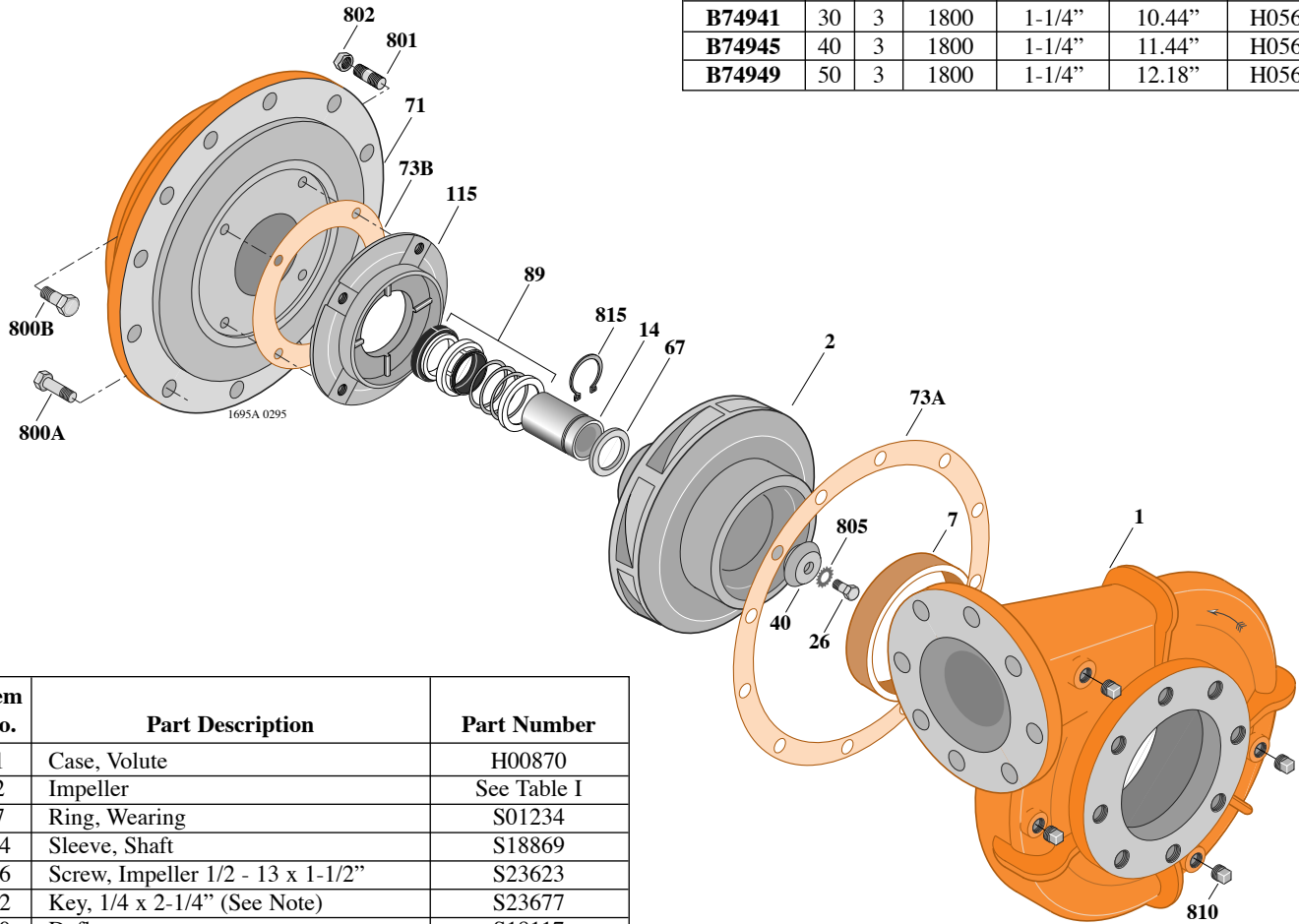
B6JPBMS

Flanged Case

Mechanical Shaft Seal Construction

TABLE I

| B/M No. | HP | PH | RPM | "U" Dim. | Imp. Dia. | Imp. No. |
|---------------|----|----|------|----------|-----------|----------|
| B74941 | 30 | 3 | 1800 | 1-1/4" | 10.44" | H05687 |
| B74945 | 40 | 3 | 1800 | 1-1/4" | 11.44" | H05685 |
| B74949 | 50 | 3 | 1800 | 1-1/4" | 12.18" | H05686 |



| Item No. | Part Description | Part Number |
|----------|---------------------------------------|--------------|
| 1 | Case, Volute | H00870 |
| 2 | Impeller | See Table I |
| 7 | Ring, Wearing | S01234 |
| 14 | Sleeve, Shaft | S18869 |
| 26 | Screw, Impeller 1/2 - 13 x 1-1/2" | S23623 |
| 32 | Key, 1/4 x 2-1/4" (See Note) | S23677 |
| 40 | Deflector | S18117 |
| 67 | Ring, Spacer | S19349 |
| 71 | Bracket | See Table II |
| 73A | Gasket, Volute Case | S06271 |
| 73B | Gasket, Balance Ring | S09943 |
| 89 | Seal, Mechanical Shaft | S32015 |
| 115 | Ring, Balance | S19105 |
| 800A | Capscrew, 5/8 - 11 x 1-1/2" (12 Req.) | S26999 |
| 800B | Capscrew, 5/8 - 11 x 1-1/2" (4 Req.) | S26999 |
| 801 | Stud, 3/8 - 16 x 1-1/2" (4 Req.) | S23995 |
| 802 | Nut, 3/8 - 16 (4 Req.) | S23103 |
| 805 | Washer, Lock | S23038 |
| 810 | Plug, Pipe 1/2" NPT (4 Req.) | S23717 |
| 815 | Ring, Retaining | S16767 |
| • | Plug, Pipe 1/8" NPT (In Bracket) | S23714 |

• Not illustrated.

TABLE II

| HP | PH | Bracket No. | "AK" Fit | "U" Dim. | Motor Frame |
|----|----|-------------|----------|----------|-------------|
| 30 | 3 | H03301 | 12-1/2" | 1-1/4" | 286JM |
| 40 | 3 | H03301 | 12-1/2" | 1-1/4" | 324JM |
| 50 | 3 | H03301 | 12-1/2" | 1-1/4" | 326JM |

NOTE: For an explanation of the tabulated material found on this page and for impeller key location, refer to *Supplement A* located at the beginning of this section.

NOTE: For seal flush line details, see *Supplement D*.



TYPE "B" SINGLE STAGE CENTRIFUGAL PUMP Electric Motor Drive

| | |
|-------------------|------------------|
| Section | CC |
| Page | 380.12 |
| Date | February 2, 2007 |
| Supersedes 1/1/04 | |

SILICON BRONZE IMPELLER

B6JPBMS

Flanged Case

Mechanical Shaft Seal Construction

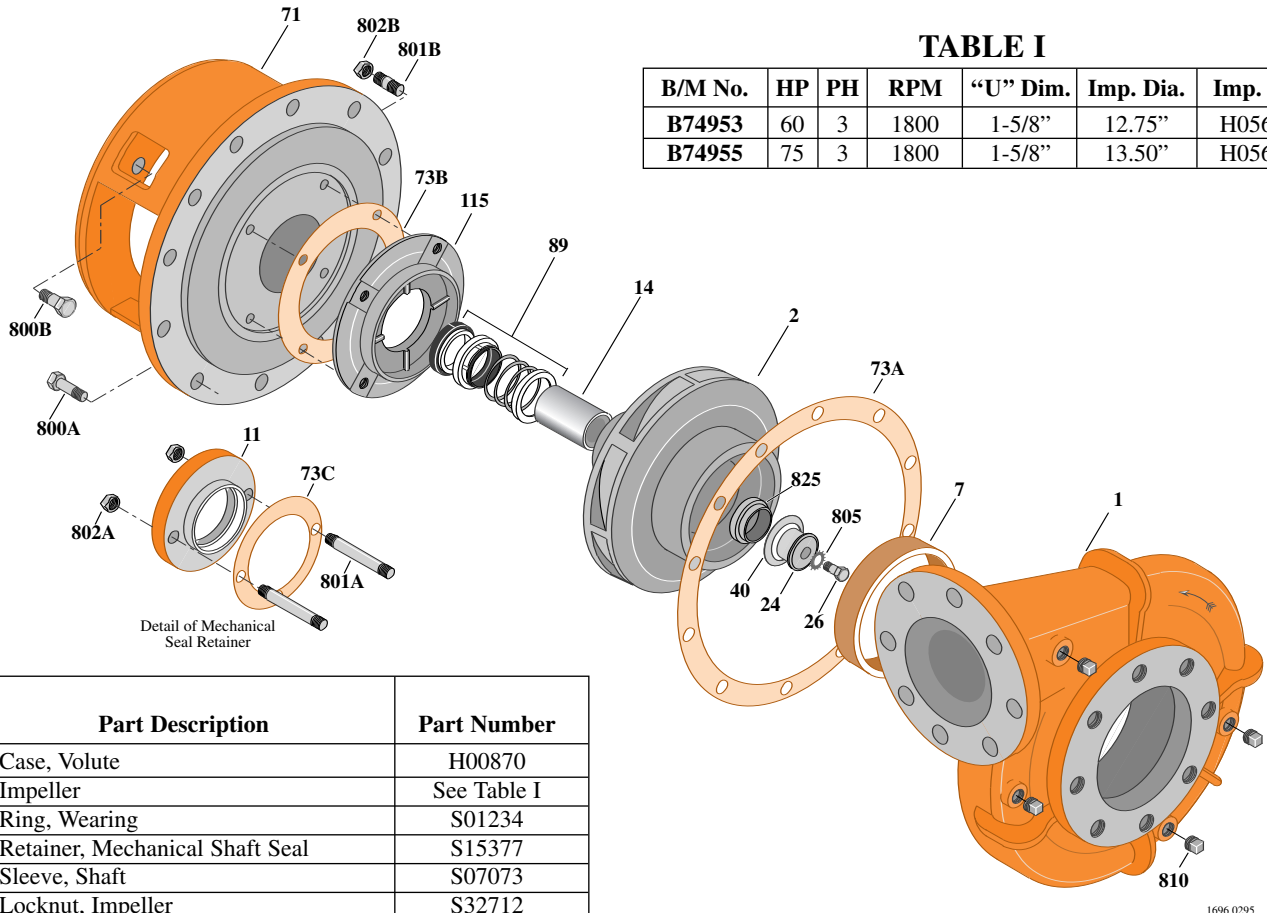


TABLE I

| B/M No. | HP | PH | RPM | "U" Dim. | Imp. Dia. | Imp. No. |
|---------|----|----|------|----------|-----------|----------|
| B74953 | 60 | 3 | 1800 | 1-5/8" | 12.75" | H05690 |
| B74955 | 75 | 3 | 1800 | 1-5/8" | 13.50" | H05691 |

| Item No. | Part Description | Part Number |
|----------|---|--------------|
| 1 | Case, Volute | H00870 |
| 2 | Impeller | See Table I |
| 7 | Ring, Wearing | S01234 |
| 11 | Retainer, Mechanical Shaft Seal | S15377 |
| 14 | Sleeve, Shaft | S07073 |
| 24 | Locknut, Impeller | S32712 |
| 26 | Screw, Impeller 1/2 - 13 x 2-1/2" | S23629 |
| 32 | Key, 3/8 x 2-1/4" (See Note) | S23940 |
| 40 | Deflector | S19864 |
| 71 | Bracket | See Table II |
| 73A | Gasket, Volute Case | S06271 |
| 73B | Gasket, Balance Ring | S09943 |
| 73C | Gasket, Seal Retainer | S15078 |
| 89 | Seal, Mechanical Shaft | S32016 |
| 115 | Ring, Balance | S12334 |
| 800A | Capscrew, 5/8 - 11 x 1-1/2" (12 Req.) | S26999 |
| 800B | Capscrew, 5/8 - 11 x 1-3/4" (4 Req.) | S27001 |
| 801A | Stud, 3/8 - 16 x 2-1/2" (2 Req.) | S04438 |
| 802A | Nut, 3/8 - 16 (2 Req.) | S23343 |
| 801B | Stud, 3/8 - 16 x 1-3/4" (4 Req.) | S23996 |
| 802B | Nut, 3/8 - 16 (4 Req.) | S23103 |
| 805 | Washer, Lock | S23038 |
| 810 | Plug, Pipe 1/2" NPT (4 Req.) | S23717 |
| 825 | Sleeve, Impeller Locknut | S31661 |
| • | Plug, Pipe 1/8" NPT(In Bracket)(2 Req.) | S23714 |

• Not illustrated.

TABLE II

| HP | PH | Bracket No. | "AK" Fit | "U" Dim. | Motor Frame |
|----|----|-------------|----------|----------|-------------|
| 60 | 3 | H03936 | 12-1/2" | 1-5/8" | 364JP |
| 75 | 3 | H03936 | 12-1/2" | 1-5/8" | 365JP |

NOTE: For an explanation of the tabulated material found on this page and for impeller key location, refer to *Supplement A* located at the beginning of this section.

NOTE: For seal flush line details, see *Supplement D*.



TYPE "B" SINGLE STAGE CENTRIFUGAL PUMP Electric Motor Drive

| | |
|-------------------|------------------|
| Section | CC |
| Page | 390.1 |
| Date | February 2, 2007 |
| Supersedes 1/1/04 | |

CAST IRON IMPELLER

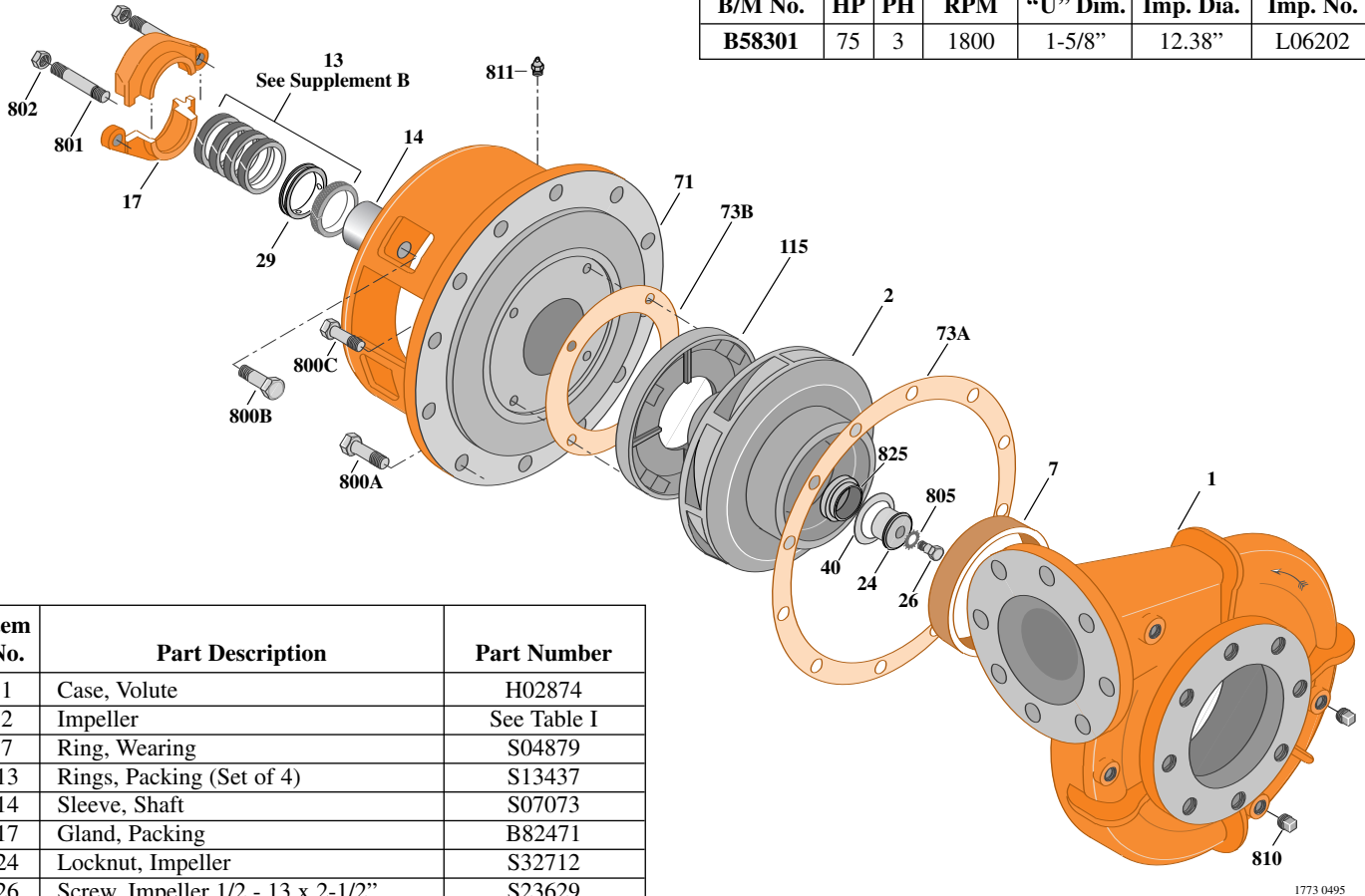
B6JPBH

Flanged Case

Packing Construction

TABLE I

| B/M No. | HP | PH | RPM | "U" Dim. | Imp. Dia. | Imp. No. |
|---------|----|----|------|----------|-----------|----------|
| B58301 | 75 | 3 | 1800 | 1-5/8" | 12.38" | L06202 |



| Item No. | Part Description | Part Number |
|----------|---------------------------------------|--------------|
| 1 | Case, Volute | H02874 |
| 2 | Impeller | See Table I |
| 7 | Ring, Wearing | S04879 |
| 13 | Rings, Packing (Set of 4) | S13437 |
| 14 | Sleeve, Shaft | S07073 |
| 17 | Gland, Packing | B82471 |
| 24 | Locknut, Impeller | S32712 |
| 26 | Screw, Impeller 1/2 - 13 x 2-1/2" | S23629 |
| 29 | Ring, Lantern | S19198 |
| 32 | Key, 3/8 x 2-1/4" (See Note) | S23940 |
| 40 | Deflector | S19864 |
| 71 | Bracket | See Table II |
| 73A | Gasket, Volute | S06271 |
| 73B | Gasket, Balance Ring | S09943 |
| 115 | Ring, Balance | M06114 |
| 800A | Capscrew, 5/8 - 11 x 1-1/2" (12 Req.) | S26999 |
| 800B | Capscrew, 5/8 - 11 x 1-3/4" (4 Req.) | S27001 |
| 800C | Capscrew, 3/8 - 16 x 1-1/2" (4 Req.) | S26830 |
| 801 | Stud, 3/8 - 16 x 2-1/2" (2 Req.) | S04438 |
| 802 | Nut, Hex 3/8 - 16 (2 Req.) | S23343 |
| 805 | Washer, Lock | S23038 |
| 810B | Plug, Pipe 1/4 NPT (Not Illustrated) | S23715 |
| 810A | Plug, Pipe 1/2 NPT (4 Req.) | S23717 |
| 811 | Fitting, Grease | S23700 |
| 812 | Elbow, Street | S25421 |
| 825 | Sleeve, Impeller Locknut | S31661 |

TABLE II

| HP | PH | Bracket No. | "AK" Fit | "U" Dim. | Motor Frame |
|----|----|-------------|----------|----------|-------------|
| 75 | 3 | H03622 | 12-1/2" | 1-5/8" | 365JP |

NOTE: For an explanation of the tabulated material found on this page and for impeller key location, refer to *Supplement A* located at the beginning of this section.



TYPE "B" SINGLE STAGE CENTRIFUGAL PUMP Electric Motor Drive

| | |
|-------------------|------------------|
| Section | CC |
| Page | 390.2 |
| Date | February 2, 2007 |
| Supersedes 1/1/04 | |

CAST IRON IMPELLER

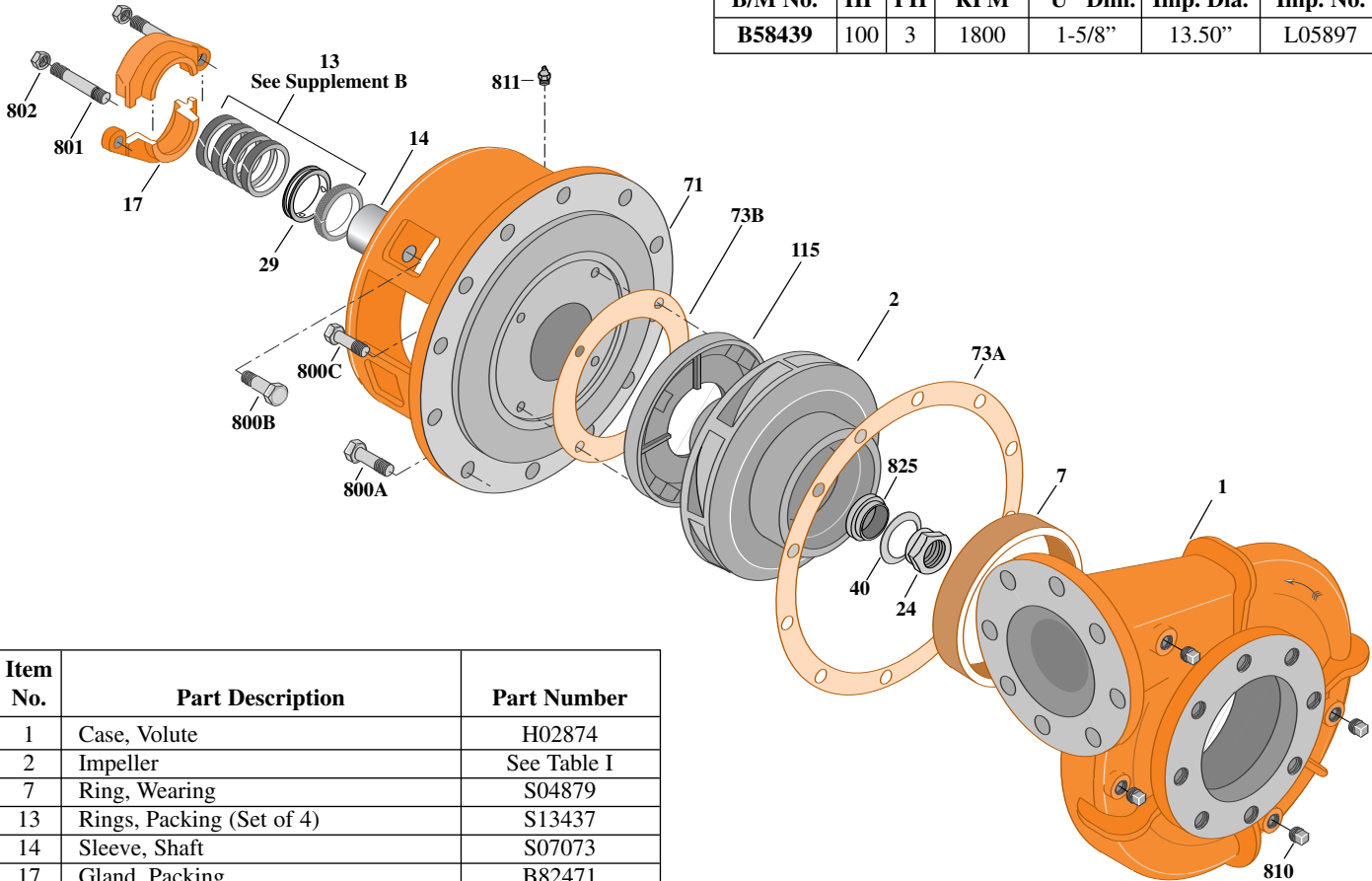
B6JPBH

Flanged Case

Packing Construction

TABLE I

| B/M No. | HP | PH | RPM | "U" Dim. | Imp. Dia. | Imp. No. |
|---------|-----|----|------|----------|-----------|----------|
| B58439 | 100 | 3 | 1800 | 1-5/8" | 13.50" | L05897 |



| Item No. | Part Description | Part Number |
|----------|---------------------------------------|--------------|
| 1 | Case, Volute | H02874 |
| 2 | Impeller | See Table I |
| 7 | Ring, Wearing | S04879 |
| 13 | Rings, Packing (Set of 4) | S13437 |
| 14 | Sleeve, Shaft | S07073 |
| 17 | Gland, Packing | B82471 |
| 24 | Locknut, Impeller | S31662 |
| 29 | Ring, Lantern | S19198 |
| 32 | Key, 3/8 x 2-1/4" (See Note) | S23940 |
| 40 | Deflector | S19864 |
| 71 | Bracket | See Table II |
| 73A | Gasket, Volute | S06271 |
| 73B | Gasket, Balance Ring | S09943 |
| 115 | Ring, Balance | M06114 |
| 800A | Capscrew, 5/8 - 11 x 1-1/2" (12 Req.) | S26999 |
| 800B | Capscrew, 5/8 - 11 x 1-3/4" (4 Req.) | S27001 |
| 800C | Capscrew, 3/8 - 16 x 1-1/2" (4 Req.) | S26830 |
| 801 | Stud, 3/8 - 16 x 2-1/2" (2 Req.) | S04438 |
| 802 | Nut, Hex 3/8 - 16 (2 Req.) | S23343 |
| 810A | Plug, Pipe 1/2 NPT (4 Req.) | S23717 |
| 810B | Plug, Pipe 1/4 NPT (Not Illustrated) | S23715 |
| 811 | Fitting, Grease | S23700 |
| 812 | Elbow, Street | S25421 |
| 825 | Sleeve, Impeller Locknut | S31661 |

TABLE II

| HP | PH | Bracket No. | "AK" Fit | "U" Dim. | Motor Frame |
|-----|----|-------------|----------|----------|-------------|
| 100 | 3 | H03622 | 12-1/2" | 1-5/8" | 404TC |

NOTE: For an explanation of the tabulated material found on this page and for impeller key location, refer to *Supplement A* located at the beginning of this section.



TYPE "B" SINGLE STAGE CENTRIFUGAL PUMP Electric Motor Drive

| | |
|-------------------|------------------|
| Section | CC |
| Page | 390.3 |
| Date | February 2, 2007 |
| Supersedes 1/1/04 | |

CAST IRON IMPELLER

B6JPBHS

Flanged Case

Mechanical Shaft Seal Construction

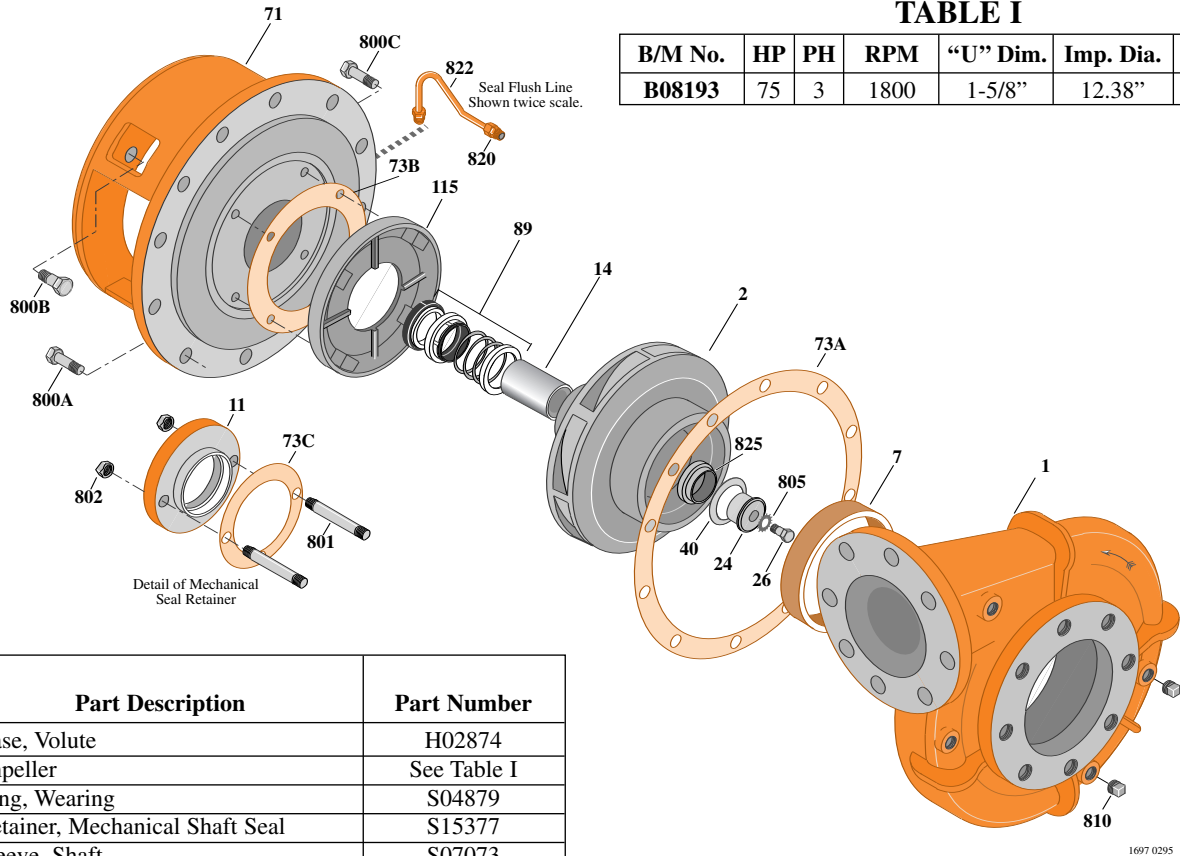


TABLE I

| B/M No. | HP | PH | RPM | "U" Dim. | Imp. Dia. | Imp. No. |
|---------------|----|----|------|----------|-----------|----------|
| B08193 | 75 | 3 | 1800 | 1-5/8" | 12.38" | L06202 |

| Item No. | Part Description | Part Number |
|----------|---------------------------------------|--------------|
| 1 | Case, Volute | H02874 |
| 2 | Impeller | See Table I |
| 7 | Ring, Wearing | S04879 |
| 11 | Retainer, Mechanical Shaft Seal | S15377 |
| 14 | Sleeve, Shaft | S07073 |
| 24 | Locknut, Impeller | S32712 |
| 26 | Screw, Impeller 1/2 - 13 x 2-1/2" | S23629 |
| 32 | Key, 3/8 x 2-1/4" (See Note) | S23940 |
| 40 | Deflector | S19864 |
| 71 | Bracket | See Table II |
| 73A | Gasket, Volute Case | S06271 |
| 73B | Gasket, Balance Ring | S09943 |
| 73C | Gasket, Seal Retainer | S15078 |
| 89 | Seal, Mechanical Shaft | S32016 |
| 115 | Ring, Balance | M06114 |
| 800A | Capscrew, 5/8 - 11 x 1-1/2" (12 Req.) | S26999 |
| 800B | Capscrew, 5/8 - 11 x 1-3/4" (4 Req.) | S27001 |
| 800C | Capscrew, 3/8 - 16 x 1-1/2" (4 Req.) | S26830 |
| 801 | Stud, 3/8 - 16 x 2-1/2" (2 Req.) | S04438 |
| 802 | Nut, 3/8 - 16 (2 Req.) | S23343 |
| 805 | Washer, Lock | S23038 |
| 810 | Plug, Pipe 1/2 NPT (4 Req.) | S23717 |
| 820 | Connector, Comp. Fitting (2 Req.) | S24013 |
| 822 | Tubing, Copper | S20677 |
| 825 | Sleeve, Impeller Locknut | S31661 |
| • | Plug, Pipe 1/8 NPT (Not Illustrated) | S23714 |

TABLE II

| HP | PH | Bracket No. | "AK" Fit | "U" Dim. | Motor Frame |
|----|----|-------------|----------|----------|-------------|
| 75 | 3 | H03936 | 12-1/2" | 1-5/8" | 365JP |

NOTE: For an explanation of the tabulated material found on this page and for impeller key location, refer to *Supplement A* located at the beginning of this section.



TYPE "B" SINGLE STAGE CENTRIFUGAL PUMP Electric Motor Drive

| | |
|-------------------|------------------|
| Section | CC |
| Page | 390.4 |
| Date | February 2, 2007 |
| Supersedes 1/1/04 | |

CAST IRON IMPELLER

B6JPBHS

Flanged Case

Mechanical Shaft Seal Construction

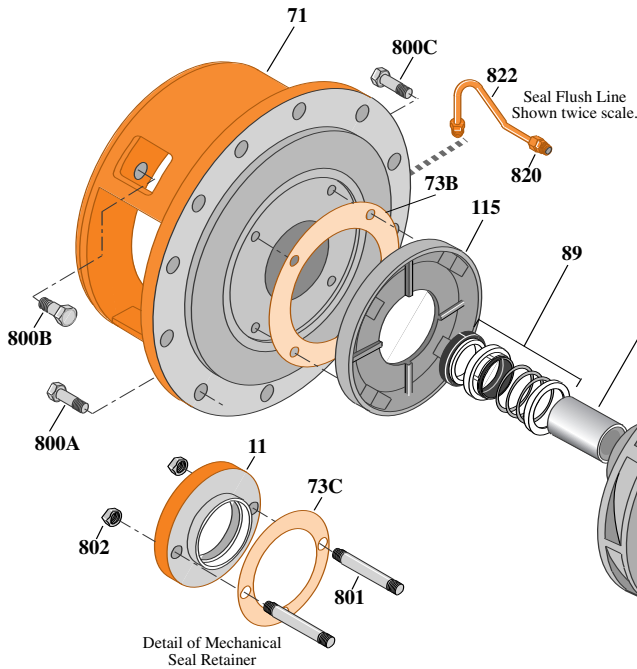


TABLE I

| B/M No. | HP | PH | RPM | "U" Dim. | Imp. Dia. | Imp. No. |
|---------|-----|----|------|----------|-----------|----------|
| B62098 | 100 | 3 | 1800 | 1-5/8" | 13.50" | L05897 |

| Item No. | Part Description | Part Number |
|----------|---------------------------------------|--------------|
| 1 | Case, Volute | H02874 |
| 2 | Impeller | See Table I |
| 7 | Ring, Wearing | S04879 |
| 11 | Retainer, Mechanical Shaft Seal | S15377 |
| 14 | Sleeve, Shaft | S07073 |
| 24 | Locknut, Impeller | S31662 |
| 32 | Key, 3/8 x 2" (See Note) | S23939 |
| 40 | Deflector | S19864 |
| 71 | Bracket | See Table II |
| 73A | Gasket, Volute Case | S06271 |
| 73B | Gasket, Balance Ring | S09943 |
| 73C | Gasket, Seal Retainer | S15078 |
| 89 | Seal, Mechanical Shaft | S32016 |
| 115 | Ring, Balance | M06114 |
| 800A | Capscrew, 5/8 - 11 x 1-1/2" (12 Req.) | S26999 |
| 800B | Capscrew, 5/8 - 11 x 1-3/4" (4 Req.) | S27001 |
| 800C | Capscrew, 3/8 - 16 x 1-1/2" (4 Req.) | S26830 |
| 801 | Stud, 3/8 - 16 x 2-1/2" (2 Req.) | S04438 |
| 802 | Nut, 3/8 - 16 (2 Req.) | S23343 |
| 810 | Plug, Pipe 1/2 NPT (4 Req.) | S23717 |
| 820 | Connector, Comp. Fitting (2 Req.) | S24013 |
| 822 | Tubing, Copper | S20677 |
| 825 | Sleeve, Impeller Locknut | S31661 |
| • | Plug, Pipe 1/8 NPT (Not Illustrated) | S23714 |

TABLE II

| HP | PH | Bracket No. | "AK" Fit | "U" Dim. | Motor Frame |
|-----|----|-------------|----------|----------|-------------|
| 100 | 3 | H03936 | 12-1/2" | 1-5/8" | 404TC |

NOTE: For an explanation of the tabulated material found on this page and for impeller key location, refer to *Supplement A* located at the beginning of this section.



TYPE "B" SINGLE STAGE CENTRIFUGAL PUMP Electric Motor Drive

| | |
|-------------------|-----------------|
| Section | CC |
| Page | 400.1 |
| Date | January 1, 2004 |
| Supersedes 6/1/95 | |

CAST IRON IMPELLER

B6EXPBL

Flanged Case

Packing Construction

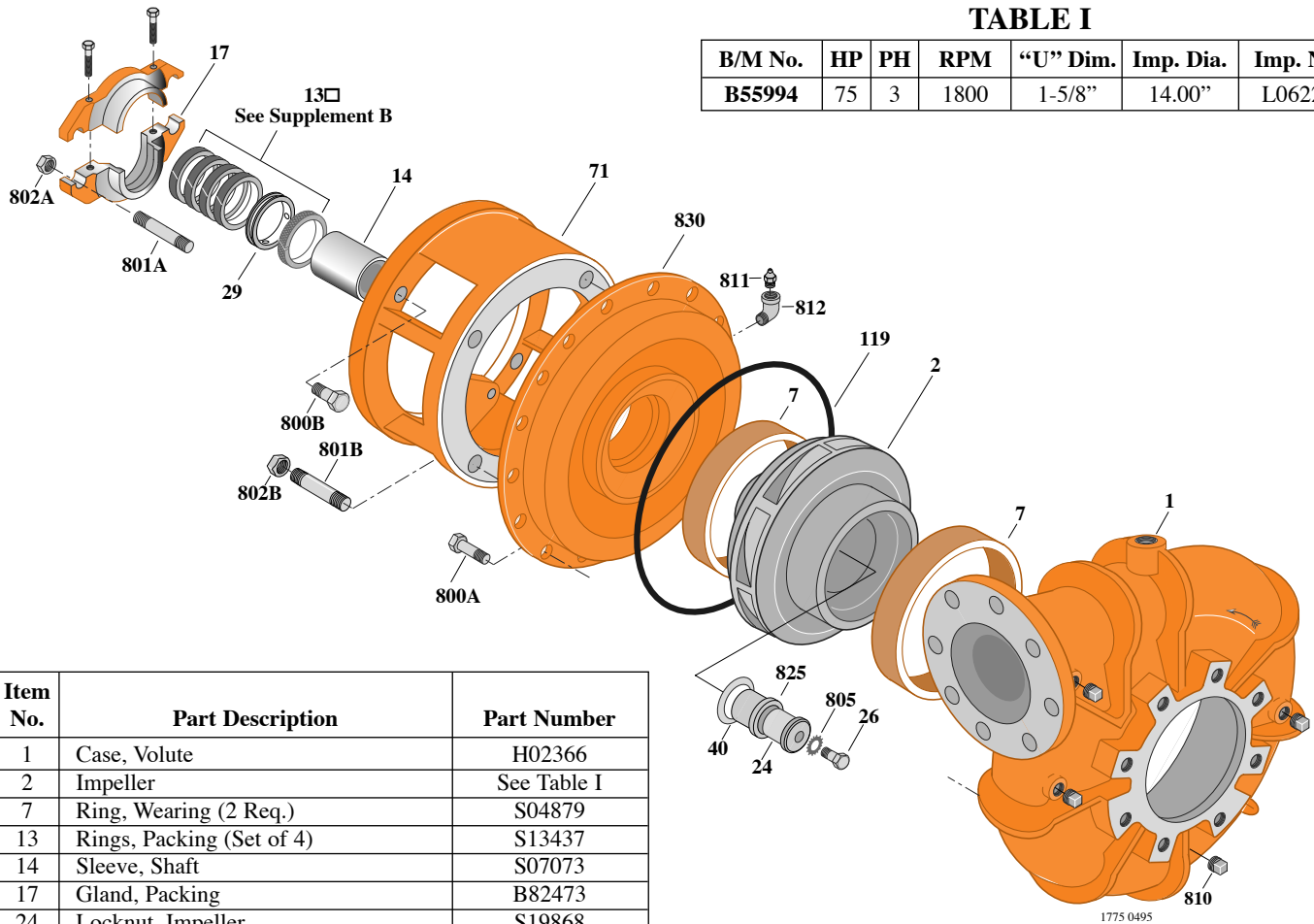


TABLE I

| B/M No. | HP | PH | RPM | "U" Dim. | Imp. Dia. | Imp. No. |
|---------|----|----|------|----------|-----------|----------|
| B55994 | 75 | 3 | 1800 | 1-5/8" | 14.00" | L06225 |

| Item No. | Part Description | Part Number |
|----------|---------------------------------------|--------------|
| 1 | Case, Volute | H02366 |
| 2 | Impeller | See Table I |
| 7 | Ring, Wearing (2 Req.) | S04879 |
| 13 | Rings, Packing (Set of 4) | S13437 |
| 14 | Sleeve, Shaft | S07073 |
| 17 | Gland, Packing | B82473 |
| 24 | Locknut, Impeller | S19868 |
| 26 | Screw, Impeller 1/2 - 13 x 3-1/2" | S23633 |
| 29 | Ring, Lantern | S19198 |
| 32 | Key, 3/8 x 2-1/4" (See Note) | S23940 |
| 40 | Deflector | S19864 |
| 71 | Bracket | See Table II |
| 119 | O-Ring | S14444 |
| 800A | Capscrew, 5/8 - 11 x 1-1/2" (16 Req.) | S26999 |
| 800B | Capscrew, 5/8 - 11 x 1-3/4" (4 Req.) | S27001 |
| 801A | Stud, 1/2 - 13 x 3-3/4" (2 Req.) | S08305 |
| 801B | Stud, 3/4 - 10 x 2-1/4" (4 Req.) | S23078 |
| 802A | Nut, Hex 1/2 - 13 x 7/16" (2 Req.) | S23347 |
| 802B | Nut, Hex 3/4 - 10 (4 Req.) | S23111 |
| 805 | Washer, Lock | S23038 |
| 810 | Plug, Pipe 1/2 NPT (4 Req.) | S23717 |
| 811 | Fitting, Grease | S23700 |
| 812 | Elbow, Street | S27401 |
| 825 | Sleeve, Impeller Locknut | S19865 |
| 830 | Cover, Case | H02482 |

TABLE II

| HP | PH | Bracket No. | "AK" Fit | "U" Dim. | Motor Frame |
|----|----|-------------|----------|----------|-------------|
| 75 | 3 | H03688 | 12-1/2" | 1-5/8" | 365JP |

NOTE: For an explanation of the tabulated material found on this page and for impeller key location, refer to *Supplement A* located at the beginning of this section.



TYPE "B" SINGLE STAGE CENTRIFUGAL PUMP Electric Motor Drive

| | |
|-------------------|-----------------|
| Section | CC |
| Page | 400.2 |
| Date | January 1, 2004 |
| Supersedes 6/1/95 | |

CAST IRON IMPELLER

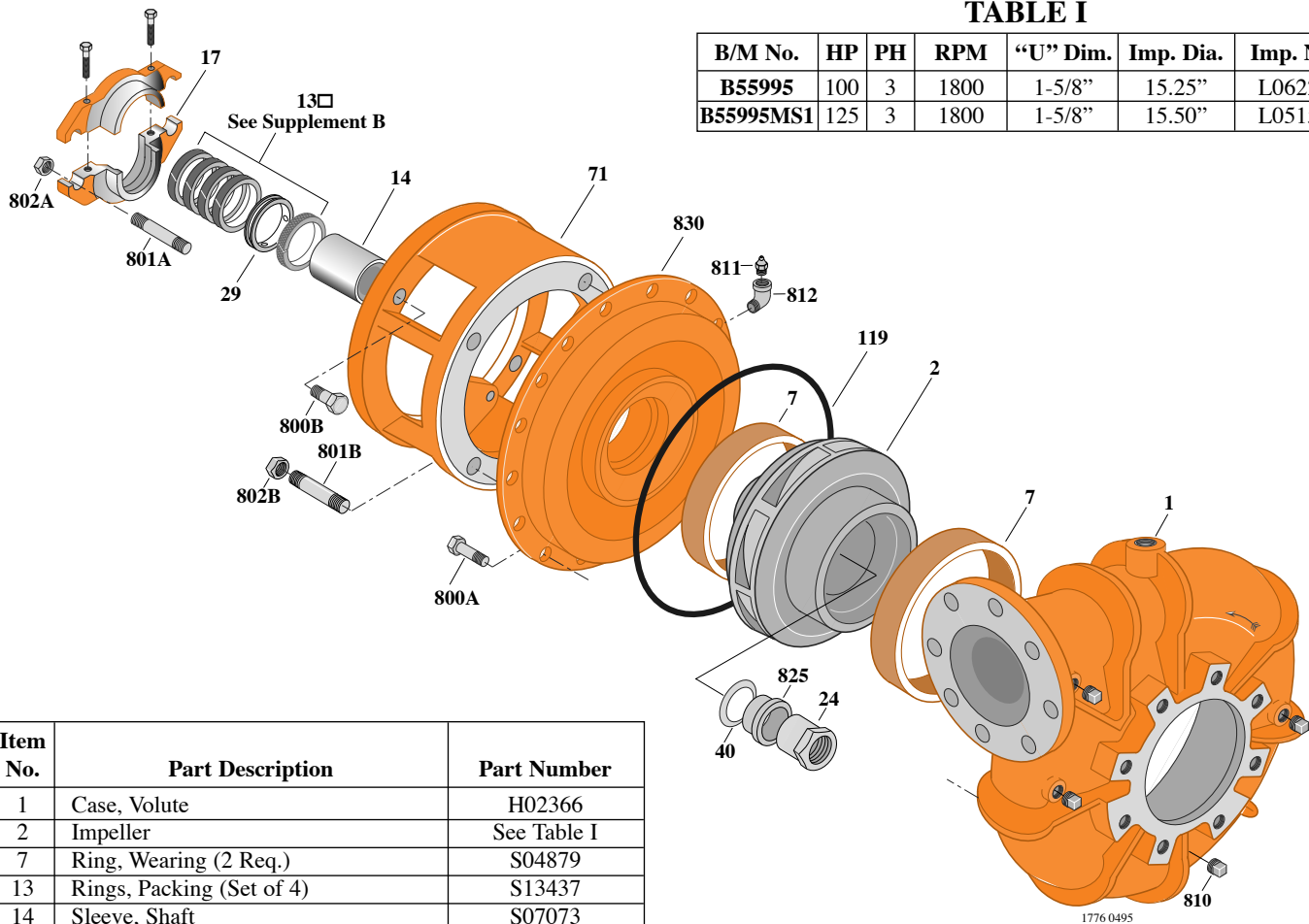
B6EXPBL

Flanged Case

Packing Construction

TABLE I

| B/M No. | HP | PH | RPM | "U" Dim. | Imp. Dia. | Imp. No. |
|-----------|-----|----|------|----------|-----------|----------|
| B55995 | 100 | 3 | 1800 | 1-5/8" | 15.25" | L06226 |
| B55995MS1 | 125 | 3 | 1800 | 1-5/8" | 15.50" | L05156 |



| Item No. | Part Description | Part Number |
|----------|---------------------------------------|--------------|
| 1 | Case, Volute | H02366 |
| 2 | Impeller | See Table I |
| 7 | Ring, Wearing (2 Req.) | S04879 |
| 13 | Rings, Packing (Set of 4) | S13437 |
| 14 | Sleeve, Shaft | S07073 |
| 17 | Gland, Packing | B82473 |
| 24 | Locknut, Impeller | S19863 |
| 29 | Ring, Lantern | S19198 |
| 32 | Key, 3/8 x 2-1/4" (See Note) | S23940 |
| 40 | Deflector | S19864 |
| 71 | Bracket | See Table II |
| 119 | O-Ring | S14444 |
| 800A | Capscrew, 5/8 - 11 x 1-1/2" (16 Req.) | S26999 |
| 800B | Capscrew, 5/8 - 11 x 1-3/4" (4 Req.) | S27001 |
| 801A | Stud, 1/2 - 13 x 3-3/4" (2 Req.) | S08305 |
| 801B | Stud, 3/4 - 10 x 2-1/4" (4 Req.) | S24078 |
| 802A | Nut, Hex 1/2 - 13 x 7/16" (2 Req.) | S23347 |
| 802B | Nut, Hex 3/4 - 10 (4 Req.) | S23111 |
| 810 | Plug, Pipe 1/2 NPT (4 Req.) | S23717 |
| 811 | Fitting, Grease | S23700 |
| 812 | Elbow, Street | S27401 |
| 825 | Sleeve, Impeller Locknut | S19865 |
| 830 | Cover, Case | H02482 |

TABLE II

| HP | PH | Bracket No. | "AK" Fit | "U" Dim. | Motor Frame |
|-----|----|-------------|----------|----------|-------------|
| 100 | 3 | H03688 | 12-1/2" | 1-5/8" | 404TC |
| 125 | 3 | H03688 | 12-1/2" | 1-5/8" | 405TC |

NOTE: For an explanation of the tabulated material found on this page and for impeller key location, refer to *Supplement A* located at the beginning of this section.



TYPE "B" SINGLE STAGE CENTRIFUGAL PUMP Electric Motor Drive

| | |
|-------------------|-----------------|
| Section | CC |
| Page | 400.3 |
| Date | January 1, 2004 |
| Supersedes 6/1/95 | |

CAST IRON IMPELLER

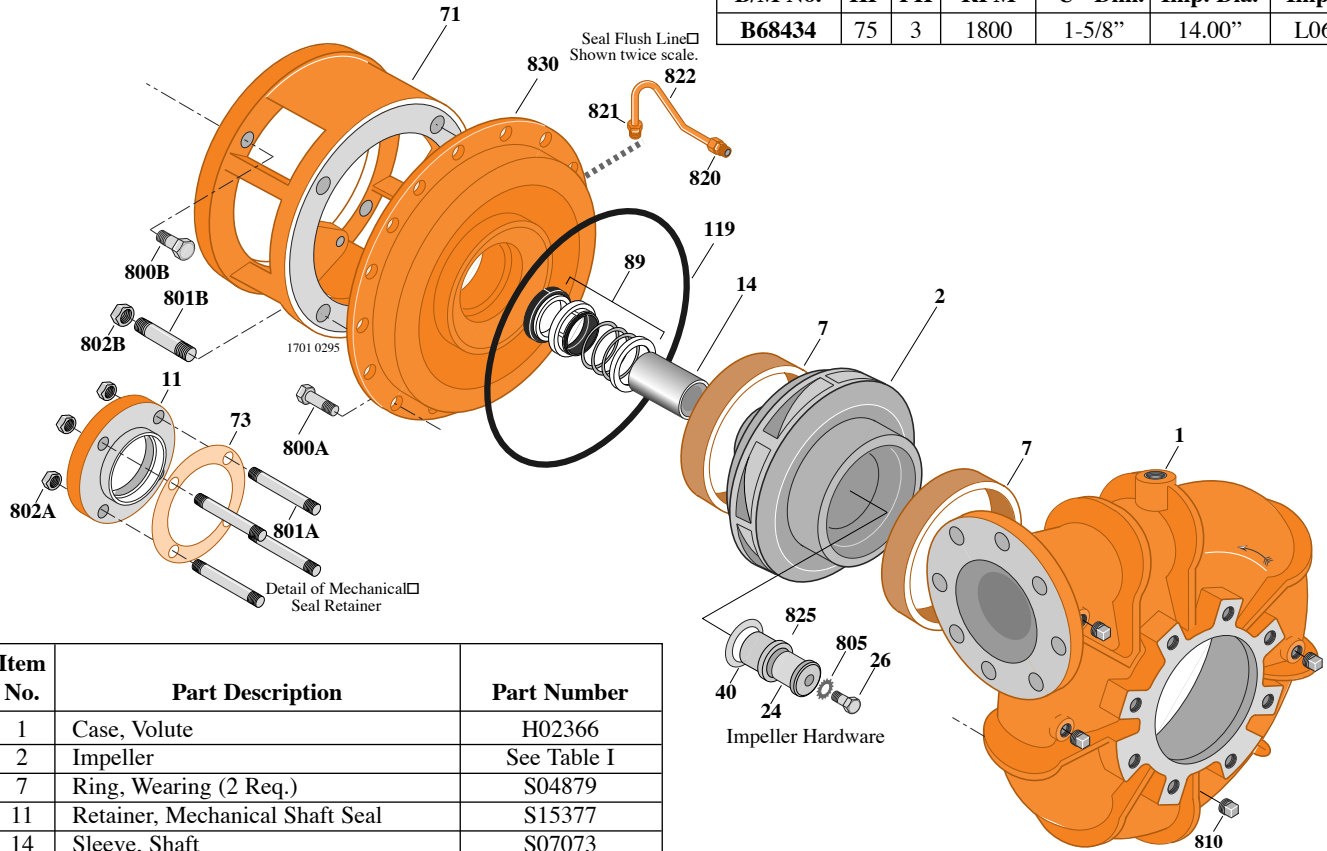
B6EXPBLS

Flanged Case

Mechanical Shaft Seal Construction

TABLE I

| B/M No. | HP | PH | RPM | "U" Dim. | Imp. Dia. | Imp. No. |
|---------|----|----|------|----------|-----------|----------|
| B68434 | 75 | 3 | 1800 | 1-5/8" | 14.00" | L06225 |



| Item No. | Part Description | Part Number |
|----------|---------------------------------------|--------------|
| 1 | Case, Volute | H02366 |
| 2 | Impeller | See Table I |
| 7 | Ring, Wearing (2 Req.) | S04879 |
| 11 | Retainer, Mechanical Shaft Seal | S15377 |
| 14 | Sleeve, Shaft | S07073 |
| 24 | Locknut, Impeller | S19868 |
| 26 | Screw, Impeller 1/2 - 13 x 3-1/2" | S23633 |
| 32 | Key, 3/8 x 2-1/2" (See Note) | S23941 |
| 40 | Deflector | S19864 |
| 71 | Bracket | See Table II |
| 73 | Gasket, Seal Retainer | S16411 |
| 89 | Seal, Mechanical Shaft | S32016 |
| 119 | O-Ring | S14444 |
| 800A | Capscrew, 5/8 - 11 x 1-1/2" (16 Req.) | S26999 |
| 800B | Capscrew, 5/8 - 11 x 1-3/4" (4 Req.) | S27001 |
| 801A | Stud, 3/8 - 16 x 1-3/4" (4 Req.) | S04435 |
| 801B | Stud, 3/4 - 10 x 2-1/4" (4 Req.) | S24078 |
| 802A | Nut, 3/8 - 16 (2 Req.) | S23343 |
| 802B | Nut, 3/4 - 10 (4 Req.) | S23111 |
| 805 | Washer, Lock | S23038 |
| 810 | Plug, Pipe 1/2 NPT (4 Req.) | S23717 |
| 820 | Connector, Comp. Fitting | S24013 |
| 821 | Elbow, Comp. Tube Fitting | S24128 |
| 822 | Tubing, Copper | S20677 |
| 825 | Sleeve, Impeller Locknut | S19865 |
| 830 | Cover, Case | H02761 |

TABLE II

| HP | PH | Bracket No. | "AK" Fit | "U" Dim. | Motor Frame |
|----|----|-------------|----------|----------|-------------|
| 75 | 3 | H05058 | 12-1/2" | 1-5/8" | 365JP |

NOTE: For an explanation of the tabulated material found on this page and for impeller key location, refer to *Supplement A* located at the beginning of this section.



TYPE "B" SINGLE STAGE CENTRIFUGAL PUMP Electric Motor Drive

| | |
|-------------------|-----------------|
| Section | CC |
| Page | 400.4 |
| Date | January 1, 2004 |
| Supersedes 6/1/95 | |

CAST IRON IMPELLER

B6EXPBLS

Flanged Case

Mechanical Shaft Seal Construction

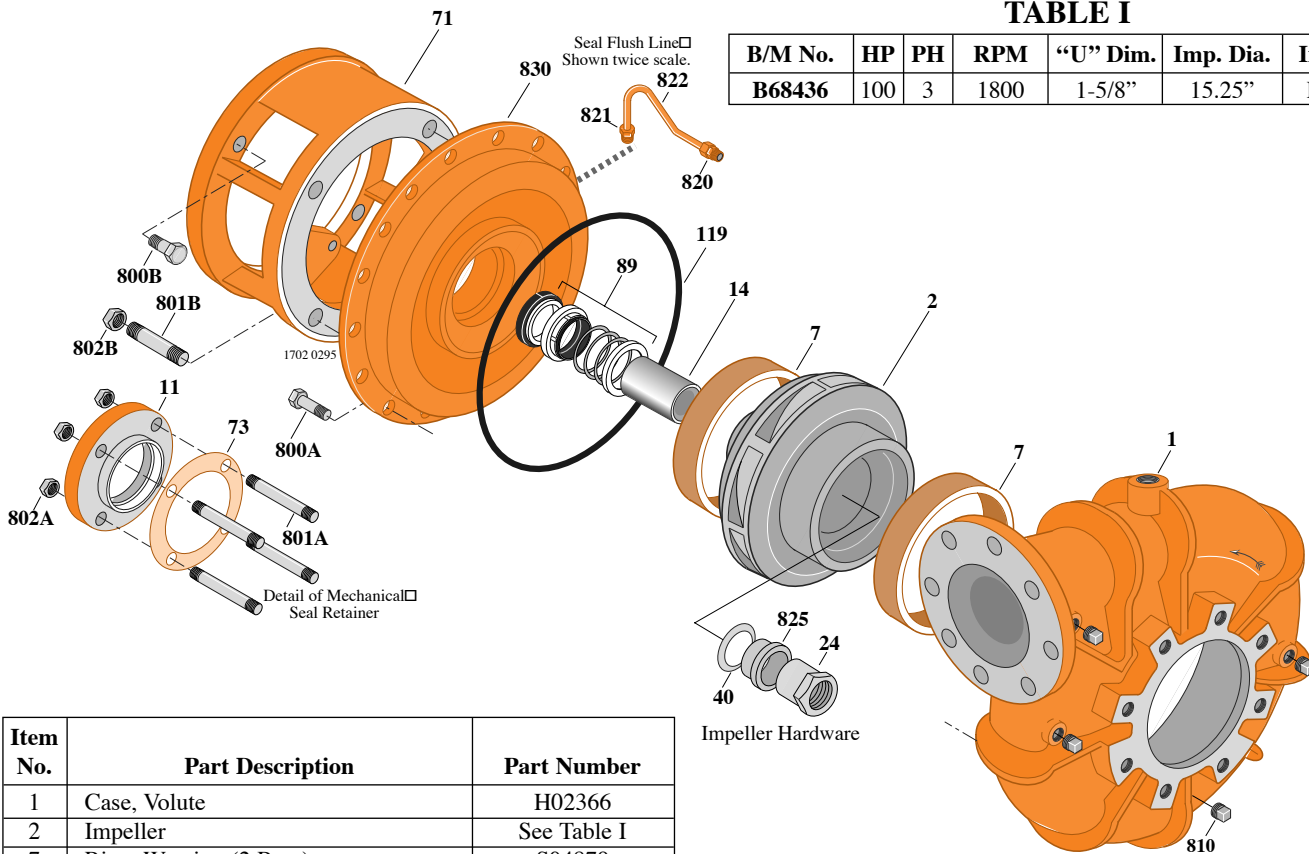


TABLE I

| B/M No. | HP | PH | RPM | "U" Dim. | Imp. Dia. | Imp. No. |
|---------|-----|----|------|----------|-----------|----------|
| B68436 | 100 | 3 | 1800 | 1-5/8" | 15.25" | L06226 |

| Item No. | Part Description | Part Number |
|----------|---------------------------------------|--------------|
| 1 | Case, Volute | H02366 |
| 2 | Impeller | See Table I |
| 7 | Ring, Wearing (2 Req.) | S04879 |
| 11 | Retainer, Mechanical Shaft Seal | S15377 |
| 14 | Sleeve, Shaft | S07073 |
| 24 | Locknut, Impeller | S19863 |
| 32 | Key, 3/8 x 2-1/2" (See Note) | S23941 |
| 40 | Deflector | S19864 |
| 71 | Bracket | See Table II |
| 73 | Gasket, Seal Retainer | S16411 |
| 89 | Seal, Mechanical Shaft | S32016 |
| 119 | O-Ring | S14444 |
| 800A | Capscrew, 5/8 - 11 x 1-1/2" (16 Req.) | S26999 |
| 800B | Capscrew, 5/8 - 11 x 1-3/4" (4 Req.) | S27001 |
| 801A | Stud, 3/8 - 16 x 1-3/4" (4 Req.) | S04435 |
| 801B | Stud, 3/4 - 10 x 2-1/4" (4 Req.) | S24078 |
| 802A | Nut, 3/8 - 16 (2 Req.) | S23343 |
| 802B | Nut, 3/4 - 10 (4 Req.) | S23111 |
| 810 | Plug, Pipe 1/2 NPT (4 Req.) | S23717 |
| 820 | Connector, Comp. Fitting | S24013 |
| 821 | Elbow, Comp. Tube Fitting | S24128 |
| 822 | Tubing, Copper | S20677 |
| 825 | Sleeve, Impeller Locknut | S19865 |
| 830 | Cover, Case | H02761 |

TABLE II

| HP | PH | Bracket No. | "AK" Fit | "U" Dim. | Motor Frame |
|-----|----|-------------|----------|----------|-------------|
| 100 | 3 | H05058 | 12-1/2" | 1-5/8" | 404TC |

NOTE: For an explanation of the tabulated material found on this page and for impeller key location, refer to *Supplement A* located at the beginning of this section.



TYPE "B" SINGLE STAGE CENTRIFUGAL PUMP Electric Motor Drive

| | |
|-------------------|-----------------|
| Section | CC |
| Page | 410.1 |
| Date | January 1, 2004 |
| Supersedes 6/1/95 | |

CAST IRON IMPELLER

B6EXPBH

Flanged Case

Packing Construction

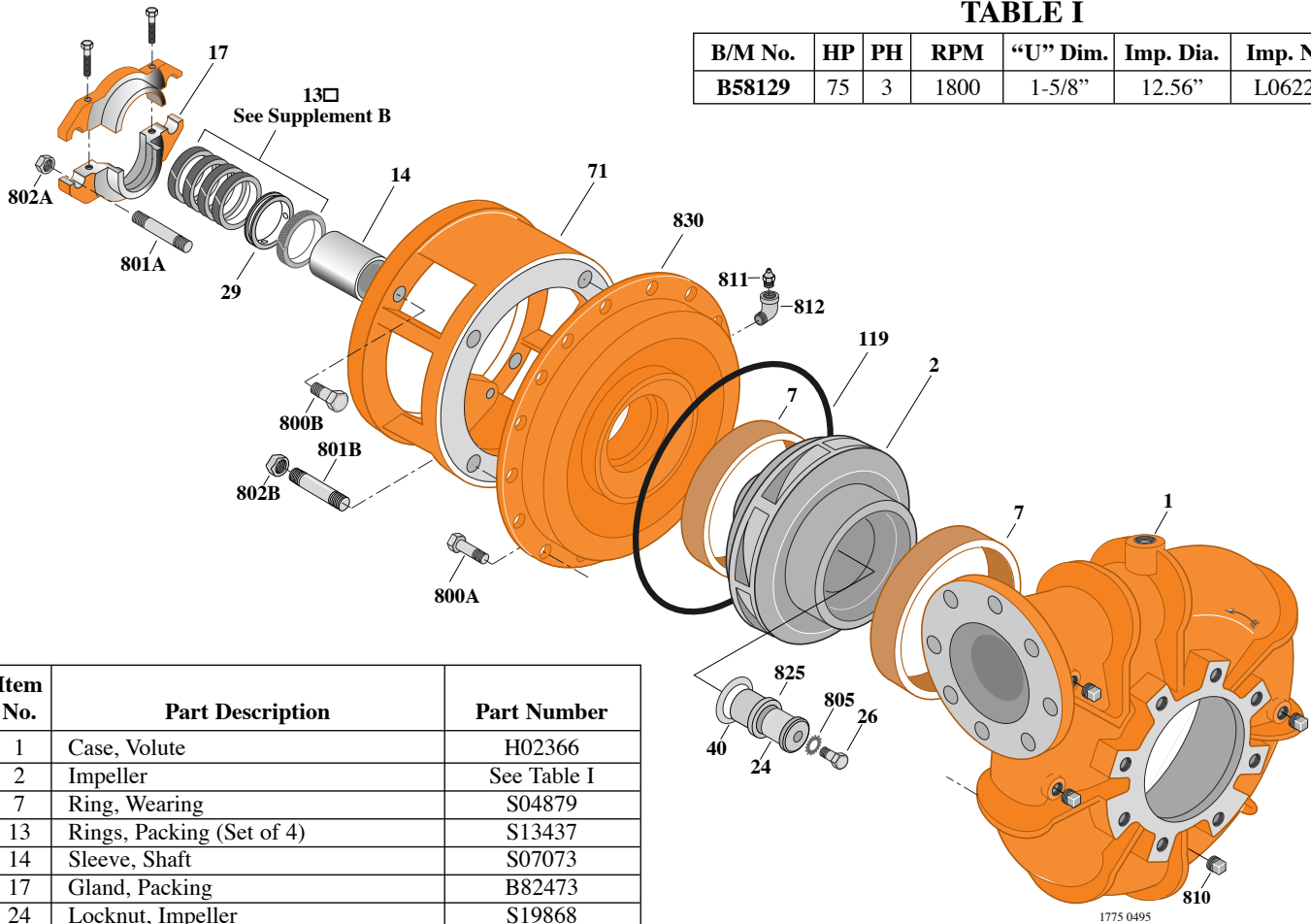


TABLE I

| B/M No. | HP | PH | RPM | "U" Dim. | Imp. Dia. | Imp. No. |
|---------------|----|----|------|----------|-----------|----------|
| B58129 | 75 | 3 | 1800 | 1-5/8" | 12.56" | L06227 |

| Item No. | Part Description | Part Number |
|----------|---------------------------------------|--------------|
| 1 | Case, Volute | H02366 |
| 2 | Impeller | See Table I |
| 7 | Ring, Wearing | S04879 |
| 13 | Rings, Packing (Set of 4) | S13437 |
| 14 | Sleeve, Shaft | S07073 |
| 17 | Gland, Packing | B82473 |
| 24 | Locknut, Impeller | S19868 |
| 26 | Screw, Impeller 1/2 - 13 x 3-1/2" | S23633 |
| 29 | Ring, Lantern | S19198 |
| 32 | Key, 3/8 x 2-1/4" (See Note) | S23940 |
| 40 | Deflector | S19864 |
| 71 | Bracket | See Table II |
| 119 | O-Ring | S14444 |
| 800A | Capscrew, 5/8 - 11 x 1-1/2" (16 Req.) | S26999 |
| 800B | Capscrew, 5/8 - 11 x 1-3/4" (4 Req.) | S27001 |
| 801A | Stud, 1/2 - 13 x 3-3/4" (2 Req.) | S08305 |
| 801B | Stud, 3/4 - 10 x 2-1/4" (4 Req.) | S23078 |
| 802A | Nut, Hex 1/2 - 13 x 7/16" (2 Req.) | S23347 |
| 802B | Nut, Hex 3/4 - 10 (4 Req.) | S23111 |
| 805 | Washer, Lock | S23038 |
| 810 | Plug, Pipe 1/2 NPT (4 Req.) | S23717 |
| 811 | Fitting, Grease | S23700 |
| 812 | Elbow, Street | S27401 |
| 825 | Sleeve, Impeller Locknut | S19865 |
| 830 | Cover, Case | H02482 |

TABLE II

| HP | PH | Bracket No. | "AK" Fit | "U" Dim. | Motor Frame |
|----|----|-------------|----------|----------|-------------|
| 75 | 3 | H03688 | 12-1/2" | 1-5/8" | 365JP |

NOTE: For an explanation of the tabulated material found on this page and for impeller key location, refer to *Supplement A* located at the beginning of this section.



TYPE "B" SINGLE STAGE CENTRIFUGAL PUMP Electric Motor Drive

| | |
|-------------------|-----------------|
| Section | CC |
| Page | 410.2 |
| Date | January 1, 2004 |
| Supersedes 6/1/95 | |

CAST IRON IMPELLER

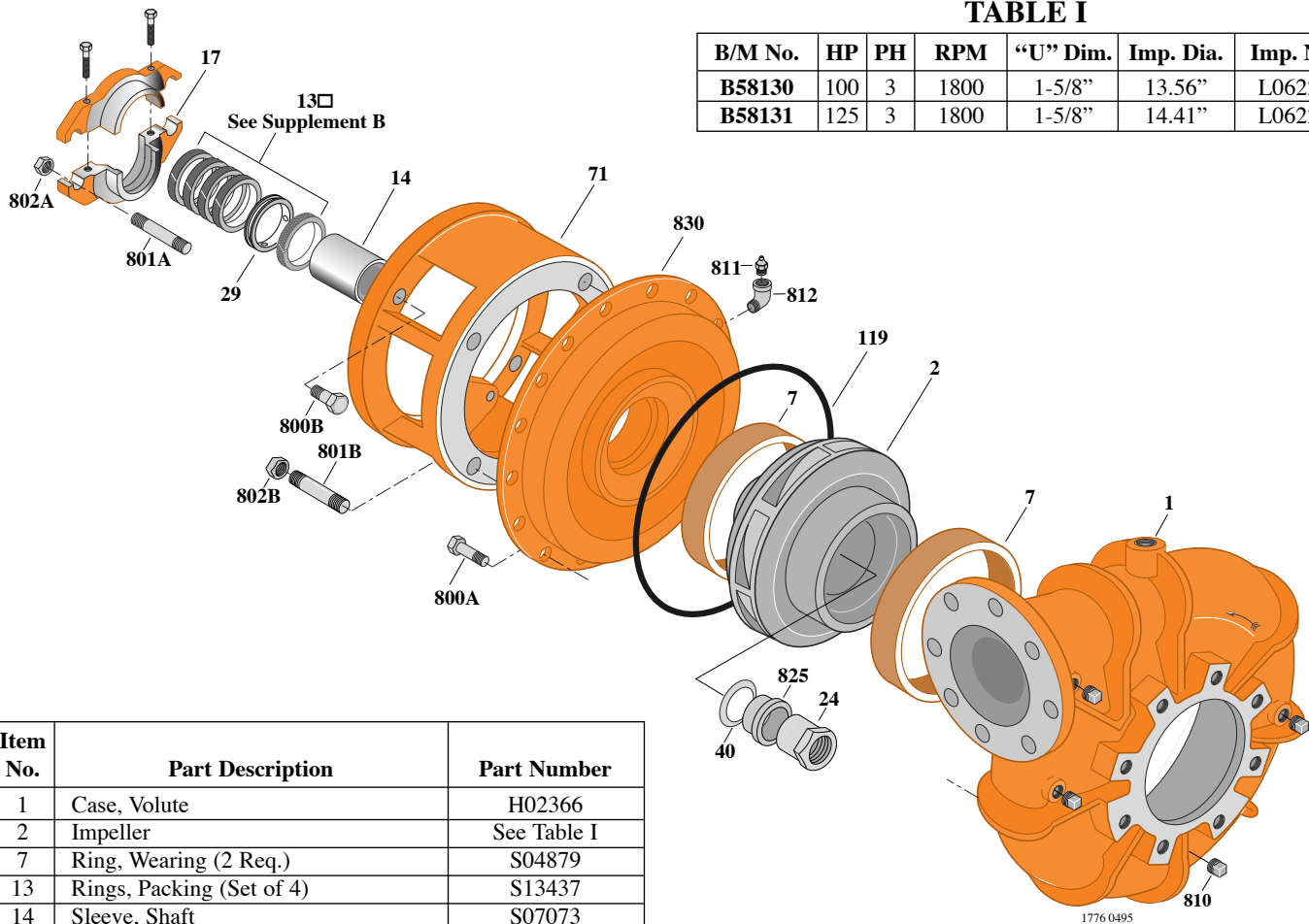
B6EXPBH

Flanged Case

Packing Construction

TABLE I

| B/M No. | HP | PH | RPM | "U" Dim. | Imp. Dia. | Imp. No. |
|---------|-----|----|------|----------|-----------|----------|
| B58130 | 100 | 3 | 1800 | 1-5/8" | 13.56" | L06228 |
| B58131 | 125 | 3 | 1800 | 1-5/8" | 14.41" | L06229 |



| Item No. | Part Description | Part Number |
|----------|---------------------------------------|--------------|
| 1 | Case, Volute | H02366 |
| 2 | Impeller | See Table I |
| 7 | Ring, Wearing (2 Req.) | S04879 |
| 13 | Rings, Packing (Set of 4) | S13437 |
| 14 | Sleeve, Shaft | S07073 |
| 17 | Gland, Packing | B82473 |
| 24 | Locknut, Impeller | S19863 |
| 29 | Ring, Lantern | S19198 |
| 32 | Key, 3/8 x 2-1/4" (See Note) | S23940 |
| 40 | Deflector | S19864 |
| 71 | Bracket | See Table II |
| 119 | O-Ring | S14444 |
| 800A | Capscrew, 5/8 - 11 x 1-1/2" (16 Req.) | S26999 |
| 800B | Capscrew, 5/8 - 11 x 1-3/4" (4 Req.) | S27001 |
| 801A | Stud, 1/2 - 13 x 3-3/4" (2 Req.) | S08305 |
| 801B | Stud, 3/4 - 10 x 2-1/4" (4 Req.) | S24078 |
| 802A | Nut, Hex 1/2 - 13 x 7/16" (2 Req.) | S23347 |
| 802B | Nut, Hex 3/4 - 10 (4 Req.) | S23111 |
| 810 | Plug, Pipe 1/2 NPT (4 Req.) | S23717 |
| 811 | Fitting, Grease | S23700 |
| 812 | Elbow, Street | S27401 |
| 825 | Sleeve, Impeller Locknut | S19865 |
| 830 | Cover, Case | H02482 |

TABLE II

| HP | PH | Bracket No. | "AK" Fit | "U" Dim. | Motor Frame |
|-----|----|-------------|----------|----------|-------------|
| 100 | 3 | H03688 | 12-1/2" | 1-5/8" | 404TC |
| 125 | 3 | H03688 | 12-1/2" | 1-5/8" | 405TC |

NOTE: For an explanation of the tabulated material found on this page and for impeller key location, refer to *Supplement A* located at the beginning of this section.



Type "B" Single Stage Centrifugal Pump Electric Motor Drive

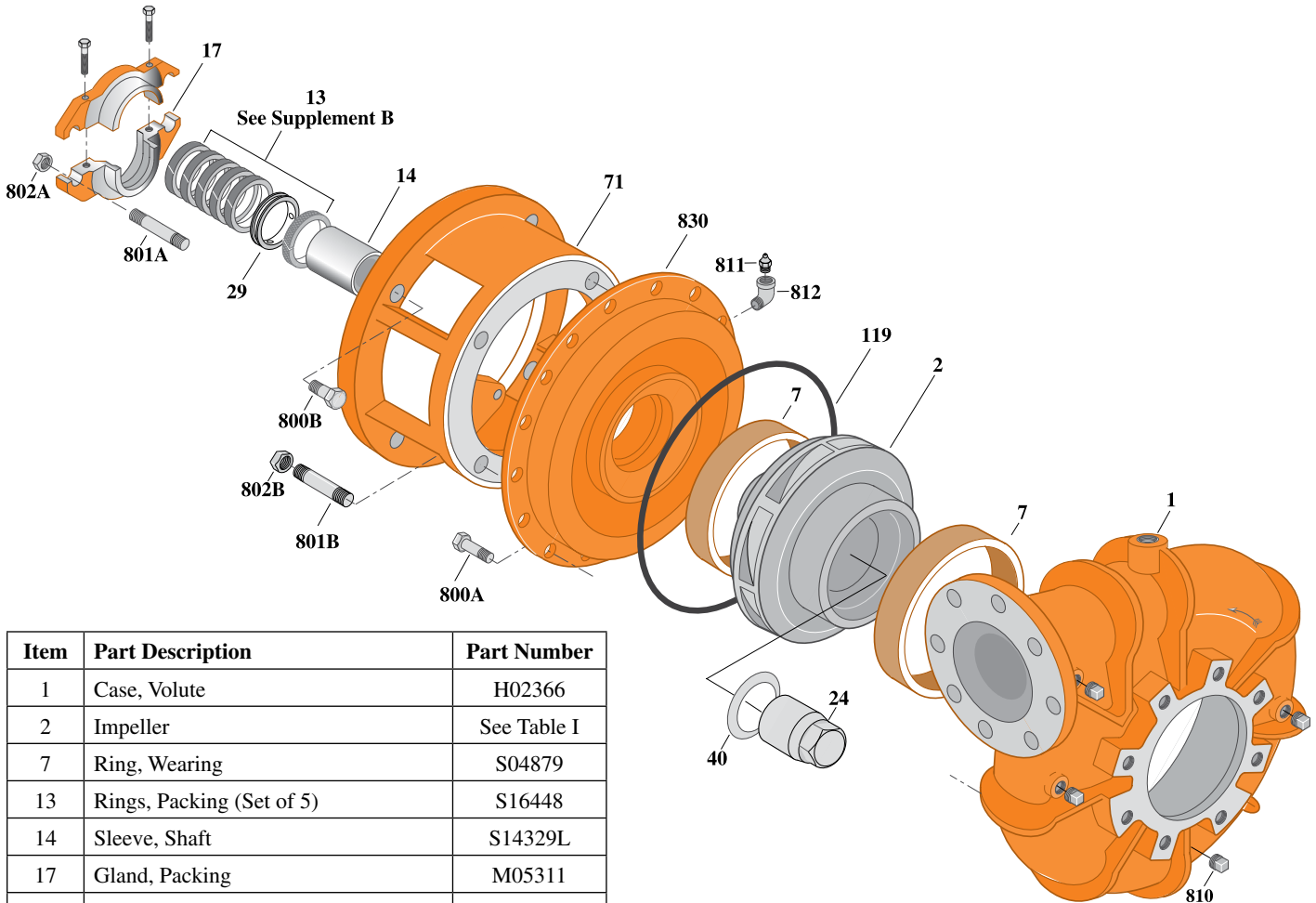
| | |
|-------------------|--------------|
| Section | CC |
| Page | 410.3 |
| Date | July 1, 2011 |
| Supersedes 1/1/04 | |

CAST IRON IMPELLER

B6EXPBH

Flanged Case

Packing Construction



| Item | Part Description | Part Number |
|------|---------------------------------------|--------------|
| 1 | Case, Volute | H02366 |
| 2 | Impeller | See Table I |
| 7 | Ring, Wearing | S04879 |
| 13 | Rings, Packing (Set of 5) | S16448 |
| 14 | Sleeve, Shaft | S14329L |
| 17 | Gland, Packing | M05311 |
| 24 | Locknut, Impeller | S07829 |
| 29 | Ring, Lantern | S14330 |
| 32 | Key, 3/8 x 2-1/4" (See Note) | S23940 |
| 40 | Deflector | S18720 |
| 71 | Bracket | See Table II |
| 800A | Capscrew, 5/8 - 11 x 1-1/2" (16 Req.) | S26999 |
| 800B | Capscrew, 5/8 - 11 x 1-3/4" (4 Req.) | S27001 |
| 801A | Stud, 1/2 - 13 x 3-3/4" (2 Req.) | S08305 |
| 801B | Stud, 3/4 - 10 x 2-1/2" (4 Req.) | S23079 |
| 802A | Nut, Hex 1/2 - 13 x 7/16" (2 Req.) | S23347 |
| 802B | Nut, Hex 3/4 - 10 (4 Req.) | S23111 |
| 810 | Plug, Pipe 1/2 NPT (4 Req.) | S23717 |
| 811 | Fitting, Grease | S23700 |
| 812 | Elbow, Street | S24568 |
| 830 | Cover, Case | H02375 |

Table I

| B/M No. | HP | PH | RPM | "U" Dim. | Imp. Dia. | Imp. No. |
|---------|-----|----|------|----------|-----------|----------|
| B56803 | 150 | 3 | 1800 | 2-1/8" | 15.06" | L06215 |
| B56804 | 200 | 3 | 1800 | 2-1/8" | 15.50" | L05800 |

Table II

| HP | PH | Bracket No. | "AK" Fit | "U" Dim. | Motor Frame |
|-----|----|-------------|----------|----------|-------------|
| 150 | 3 | H01078 | 16" | 2-1/8" | 444TY |
| 200 | 3 | H01078 | 16" | 2-1/8" | 445TY |

NOTE: For an explanation of the tabulated material found on this page and for impeller key location, refer to *Supplement A* located at the beginning of this section.



TYPE "B" SINGLE STAGE CENTRIFUGAL PUMP Electric Motor Drive

| | |
|-------------------|-----------------|
| Section | CC |
| Page | 410.4 |
| Date | January 1, 2004 |
| Supersedes 6/1/95 | |

CAST IRON IMPELLER

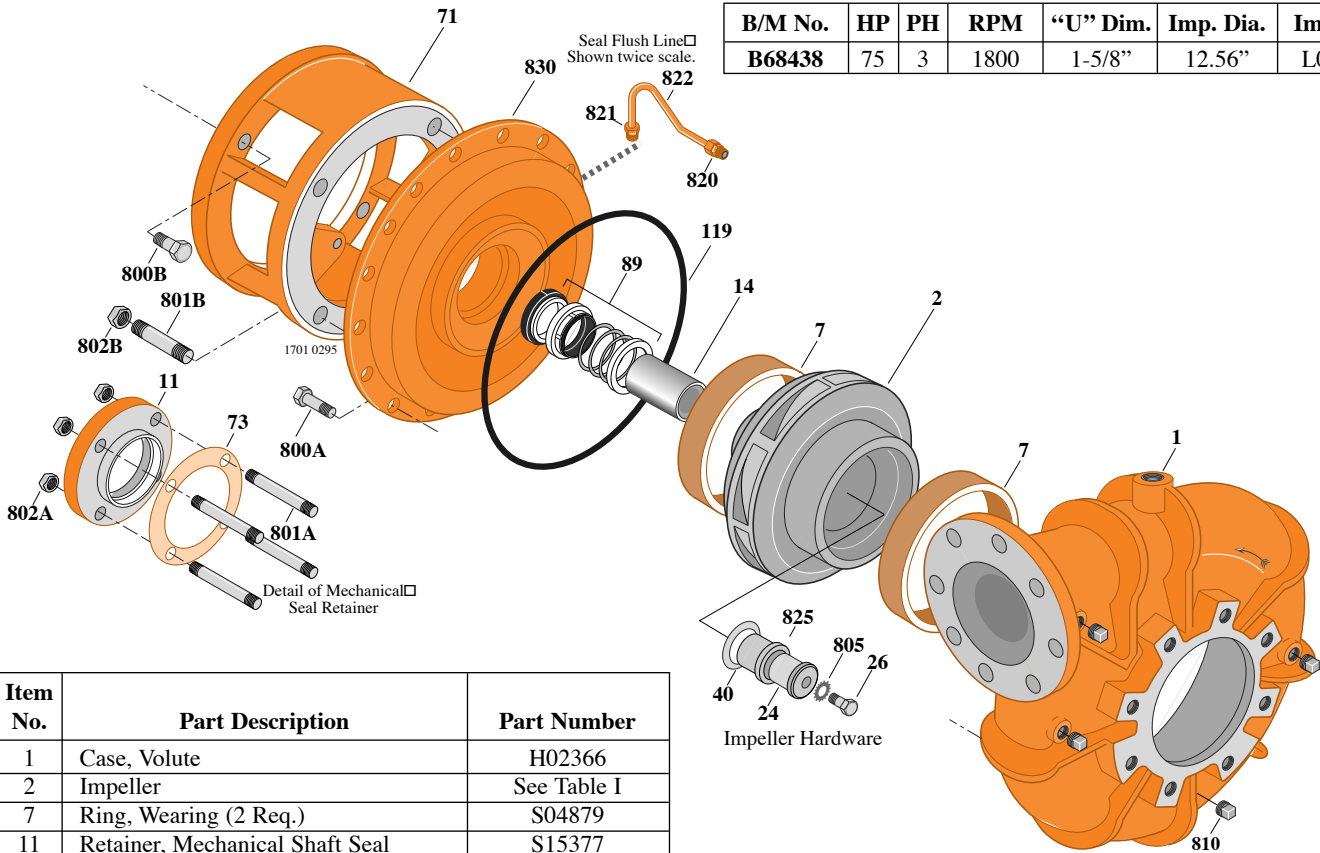
B6EXPBHS

Flanged Case

Mechanical Shaft Seal Construction

TABLE I

| B/M No. | HP | PH | RPM | "U" Dim. | Imp. Dia. | Imp. No. |
|---------------|----|----|------|----------|-----------|----------|
| B68438 | 75 | 3 | 1800 | 1-5/8" | 12.56" | L06227 |



| Item No. | Part Description | Part Number |
|----------|---------------------------------------|--------------|
| 1 | Case, Volute | H02366 |
| 2 | Impeller | See Table I |
| 7 | Ring, Wearing (2 Req.) | S04879 |
| 11 | Retainer, Mechanical Shaft Seal | S15377 |
| 14 | Sleeve, Shaft | S07073 |
| 24 | Locknut, Impeller | S19868 |
| 26 | Screw, Impeller 1/2 - 13 x 3-1/2" | S23633 |
| 32 | Key, 3/8 x 2-1/2" (See Note) | S23941 |
| 40 | Deflector | S19864 |
| 71 | Bracket | See Table II |
| 73 | Gasket, Seal Retainer | S16411 |
| 89 | Seal, Mechanical Shaft | S32016 |
| 119 | O-Ring | S14444 |
| 800A | Capscrew, 5/8 - 11 x 1-1/2" (16 Req.) | S26999 |
| 800B | Capscrew, 5/8 - 11 x 1-3/4" (4 Req.) | S27001 |
| 801A | Stud, 3/8 - 16 x 1-3/4" (4 Req.) | S04435 |
| 801B | Stud, 3/4 - 10 x 2-1/4" (4 Req.) | S24078 |
| 802A | Nut, 3/8 - 16 (2 Req.) | S23343 |
| 802B | Nut, 3/4 - 10 (4 Req.) | S23111 |
| 805 | Washer, Lock | S23038 |
| 810 | Plug, Pipe 1/2 NPT (4 Req.) | S23717 |
| 820 | Connector, Comp. Fitting | S24013 |
| 821 | Elbow, Comp. Tube Fitting | S24128 |
| 822 | Tubing, Copper | S20677 |
| 825 | Sleeve, Impeller Locknut | S19865 |
| 830 | Cover, Case | H02761 |

TABLE II

| HP | PH | Bracket No. | "AK" Fit | "U" Dim. | Motor Frame |
|----|----|-------------|----------|----------|-------------|
| 75 | 3 | H05058 | 12-1/2" | 1-5/8" | 365JP |

NOTE: For an explanation of the tabulated material found on this page and for impeller key location, refer to *Supplement A* located at the beginning of this section.



TYPE "B" SINGLE STAGE CENTRIFUGAL PUMP Electric Motor Drive

| | |
|-------------------|-----------------|
| Section | CC |
| Page | 410.5 |
| Date | January 1, 2004 |
| Supersedes 6/1/95 | |

CAST IRON IMPELLER

B6EXPBHS

Flanged Case

Mechanical Shaft Seal Construction

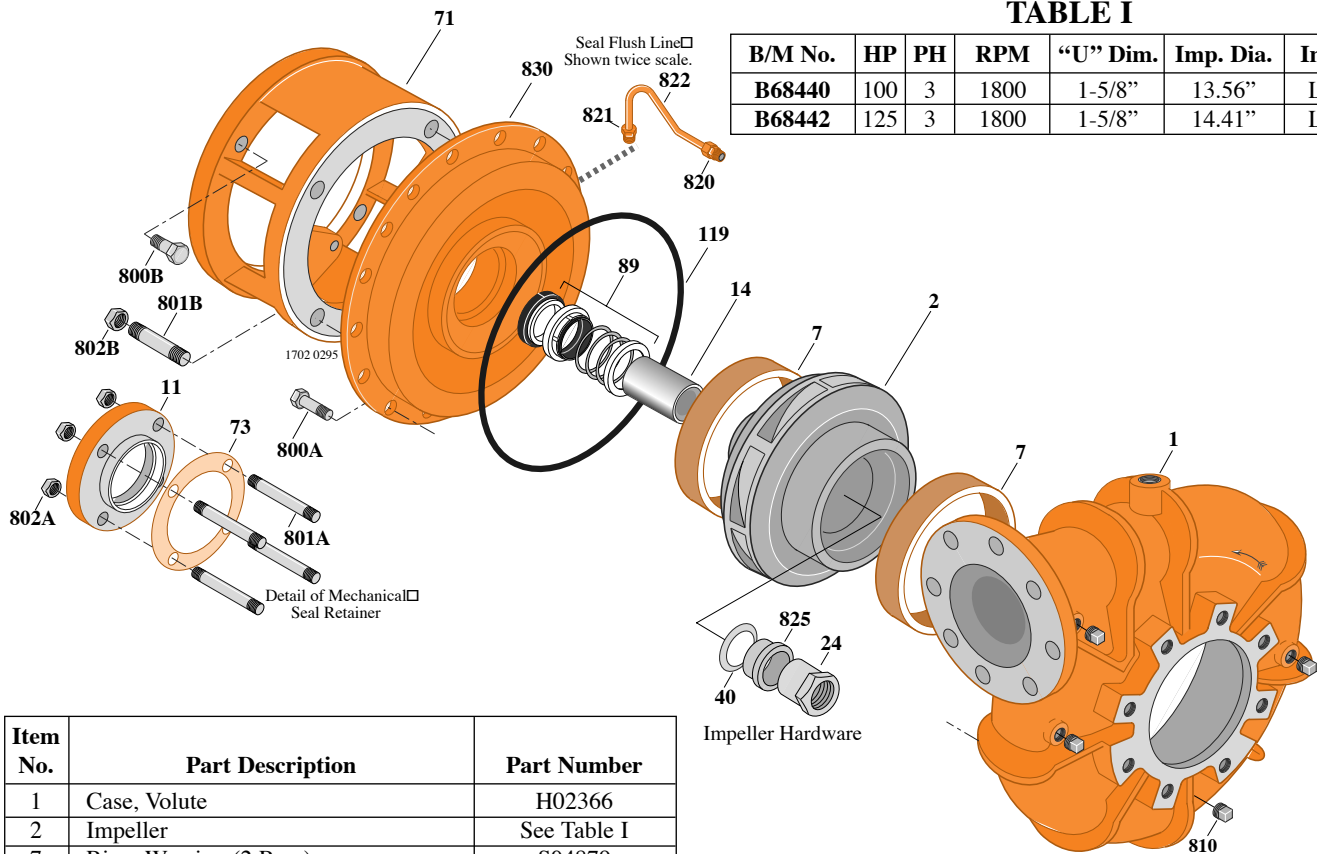


TABLE I

| B/M No. | HP | PH | RPM | "U" Dim. | Imp. Dia. | Imp. No. |
|---------|-----|----|------|----------|-----------|----------|
| B68440 | 100 | 3 | 1800 | 1-5/8" | 13.56" | L06228 |
| B68442 | 125 | 3 | 1800 | 1-5/8" | 14.41" | L06229 |

| Item No. | Part Description | Part Number |
|----------|---------------------------------------|--------------|
| 1 | Case, Volute | H02366 |
| 2 | Impeller | See Table I |
| 7 | Ring, Wearing (2 Req.) | S04879 |
| 11 | Retainer, Mechanical Shaft Seal | S15377 |
| 14 | Sleeve, Shaft | S07073 |
| 24 | Locknut, Impeller | S19863 |
| 32 | Key, 3/8 x 2-1/2" (See Note) | S23941 |
| 40 | Deflector | S19864 |
| 71 | Bracket | See Table II |
| 73 | Gasket, Seal Retainer | S16411 |
| 89 | Seal, Mechanical Shaft | S32016 |
| 119 | O-Ring | S14444 |
| 800A | Capscrew, 5/8 - 11 x 1-1/2" (16 Req.) | S26999 |
| 800B | Capscrew, 5/8 - 11 x 1-3/4" (4 Req.) | S27001 |
| 801A | Stud, 3/8 - 16 x 1-3/4" (4 Req.) | S04435 |
| 801B | Stud, 3/4 - 10 x 2-1/4" (4 Req.) | S24078 |
| 802A | Nut, 3/8 - 16 (2 Req.) | S23343 |
| 802B | Nut, 3/4 - 10 (4 Req.) | S23111 |
| 810 | Plug, Pipe 1/2 NPT (4 Req.) | S23717 |
| 820 | Connector, Comp. Fitting | S24013 |
| 821 | Elbow, Comp. Tube Fitting | S24128 |
| 822 | Tubing, Copper | S20677 |
| 825 | Sleeve, Impeller Locknut | S19865 |
| 830 | Cover, Case | H02761 |

TABLE II

| HP | PH | Bracket No. | "AK" Fit | "U" Dim. | Motor Frame |
|-----|----|-------------|----------|----------|-------------|
| 100 | 3 | H05058 | 12-1/2" | 1-5/8" | 404TC |
| 125 | 3 | H05058 | 12-1/2" | 1-5/8" | 405TC |

NOTE: For an explanation of the tabulated material found on this page and for impeller key location, refer to *Supplement A* located at the beginning of this section.



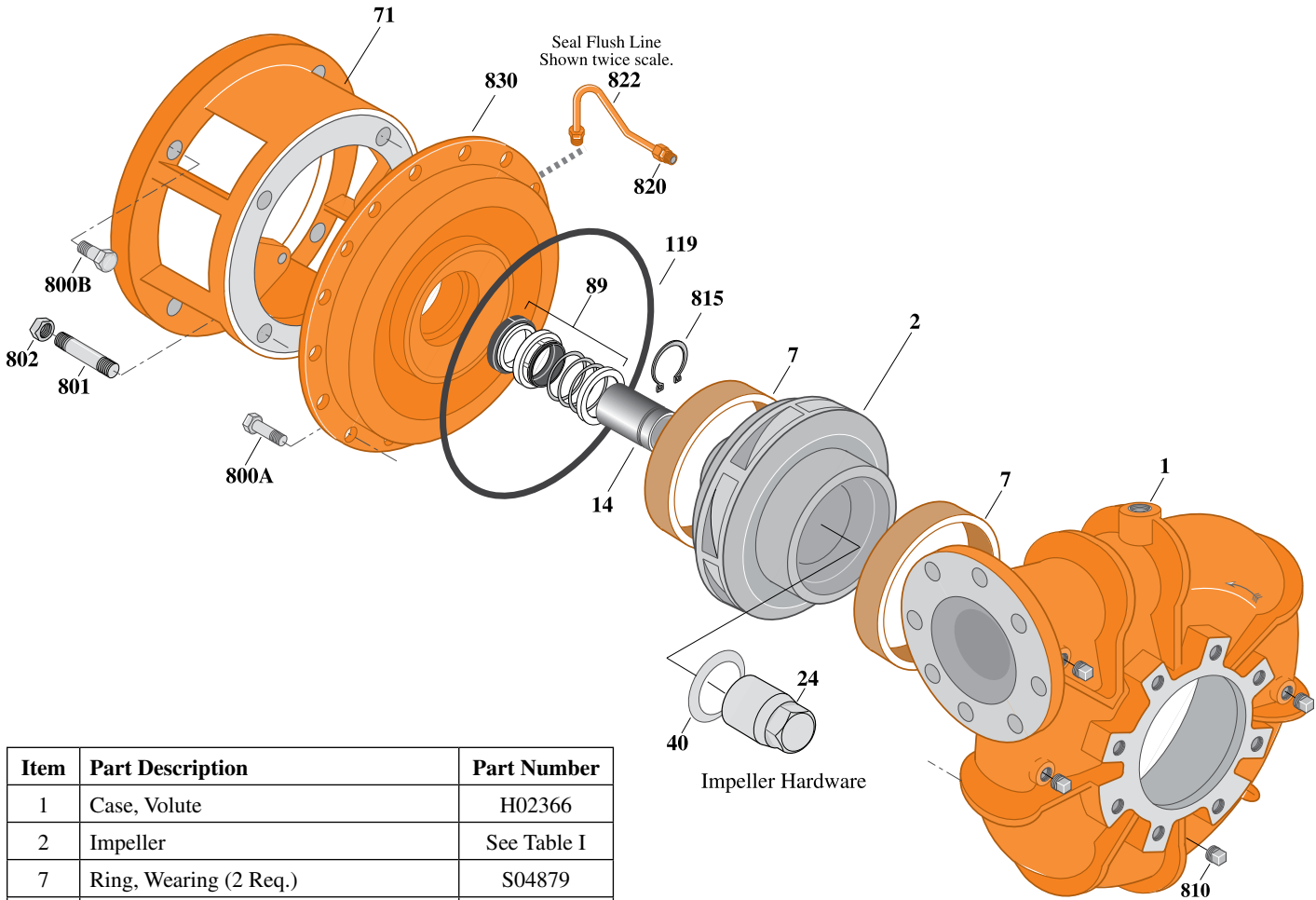
Type "B" Single Stage Centrifugal Pump Electric Motor Drive

| | |
|-------------------|--------------|
| Section | CC |
| Page | 410.6 |
| Date | July 1, 2011 |
| Supersedes 1/1/04 | |

CAST IRON IMPELLERB6EXPBHS

Flanged Case

Mechanical Shaft Seal Construction



| Item | Part Description | Part Number |
|------|---------------------------------------|--------------|
| 1 | Case, Volute | H02366 |
| 2 | Impeller | See Table I |
| 7 | Ring, Wearing (2 Req.) | S04879 |
| 14 | Sleeve, Shaft | S29517L |
| 24 | Locknut, Impeller | S07829 |
| 32 | Key, 3/8 x 2-1/2" (See Note) | S26547 |
| 40 | Deflector | S18720 |
| 71 | Bracket | See Table II |
| 89 | Seal, Mechanical Shaft | S32697 |
| 119 | O-Ring | S14444 |
| 800A | Capscrew, 5/8 - 11 x 1-1/2" (16 Req.) | S26999 |
| 800B | Capscrew, 5/8 - 11 x 1-3/4" (4 Req.) | S27001 |
| 801 | Stud, 3/4 - 10 x 2-1/2" (4 Req.) | S24079 |
| 802 | Nut, 3/4 - 10 (4 Req.) | S23111 |
| 810 | Plug, Pipe 1/2 NPT (4 Req.) | S23717 |
| 815 | Ring, Retaining | S29519 |
| 820 | Connector, Comp. Fitting (2 Req.) | S24013 |
| 822 | Tubing, Copper | S20677 |
| 830 | Cover, Case | H03557 |

Impeller Hardware

Table I

| B/M No. | HP | PH | RPM | "U" Dim. | Imp. Dia. | Imp. No. |
|---------|-----|----|------|----------|-----------|----------|
| B62103 | 150 | 3 | 1800 | 2-1/8" | 15.06" | L06215 |
| B62104 | 200 | 3 | 1800 | 2-1/8" | 15.50" | L05800 |

Table II

| HP | PH | Bracket No. | "AK" Fit | "U" Dim. | Motor Frame |
|-----|----|-------------|----------|----------|-------------|
| 150 | 3 | H02762 | 16" | 2-1/8" | 444TY |
| 200 | 3 | H02762 | 16" | 2-1/8" | 445TY |

NOTE: For an explanation of the tabulated material found on this page and for impeller key location, refer to *Supplement A* located at the beginning of this section.



TYPE "B" SINGLE STAGE CENTRIFUGAL PUMP Electric Motor Drive

| | |
|-------------------|-----------------|
| Section | CC |
| Page | 420.1 |
| Date | January 1, 2004 |
| Supersedes 6/1/95 | |

CAST IRON IMPELLER

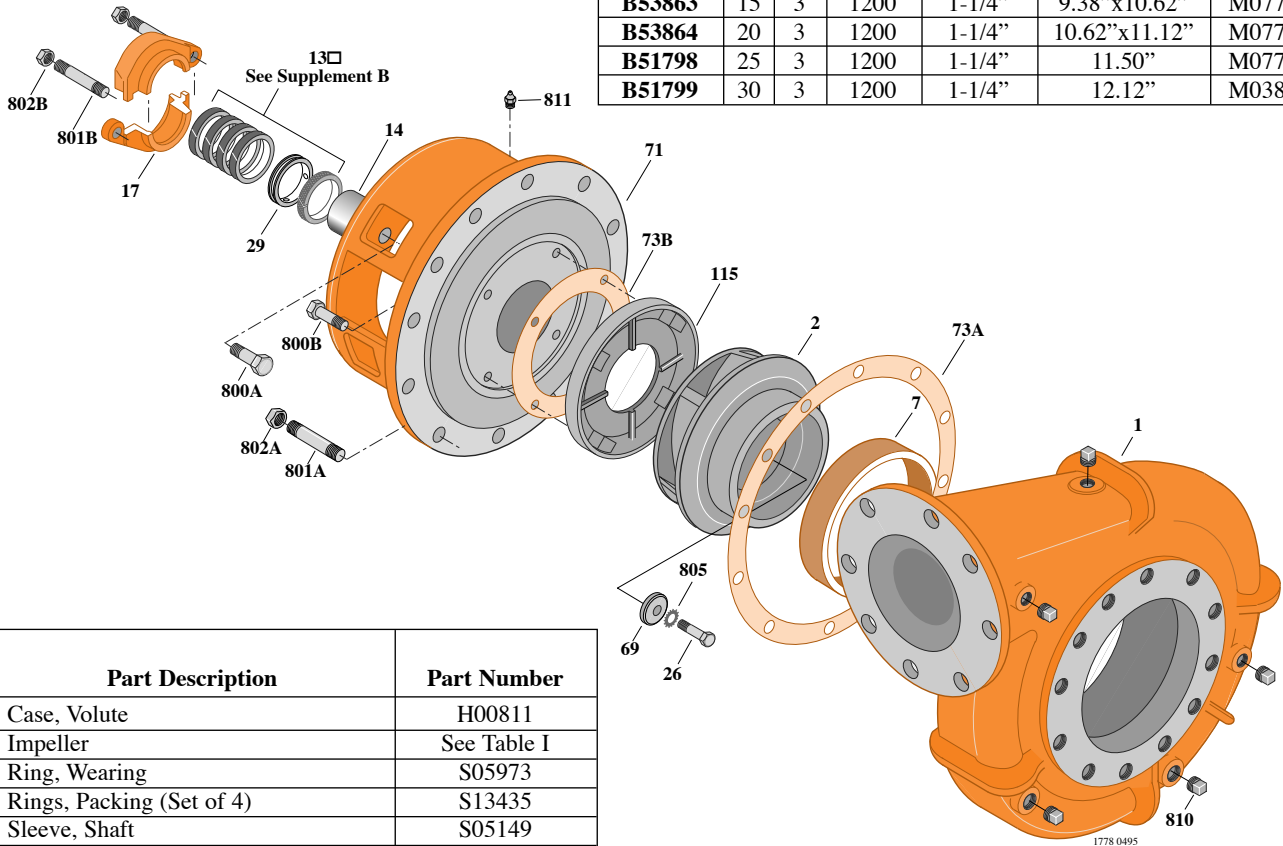
B8GPBM

Flanged Case

Packing Construction

TABLE I

| B/M No. | HP | PH | RPM | "U" Dim. | Imp. Dia. | Imp. No. |
|---------------|----|----|------|----------|---------------|----------|
| B53863 | 15 | 3 | 1200 | 1-1/4" | 9.38"x10.62" | M07772 |
| B53864 | 20 | 3 | 1200 | 1-1/4" | 10.62"x11.12" | M07773 |
| B51798 | 25 | 3 | 1200 | 1-1/4" | 11.50" | M07771 |
| B51799 | 30 | 3 | 1200 | 1-1/4" | 12.12" | M03800 |



| Item No. | Part Description | Part Number |
|----------|--------------------------------------|--------------|
| 1 | Case, Volute | H00811 |
| 2 | Impeller | See Table I |
| 7 | Ring, Wearing | S05973 |
| 13 | Rings, Packing (Set of 4) | S13435 |
| 14 | Sleeve, Shaft | S05149 |
| 17 | Gland, Packing | B82470 |
| 26 | Screw, Impeller 1/2 - 13 x 3" | S23631 |
| 29 | Ring, Lantern | S19200 |
| 32 | Key, 1/4 x 2-1/4" (See Note) | S23677 |
| 69 | Washer, Impeller | S06319 |
| 71 | Bracket | See Table II |
| 73A | Gasket, Volute Case | S06271 |
| 73B | Gasket, Balance Ring | S09943 |
| 115 | Ring, Balance | S14065 |
| 800A | Capscrew, 5/8 - 11 x 1-1/2" (4 Req.) | S26999 |
| 800B | Capscrew, 3/8 - 16 x 1-1/2" (4 Req.) | S26830 |
| 801A | Stud, 5/8 - 11 x 2-1/4" (12 Req.) | S24061 |
| 801B | Stud, 3/8 - 16 x 2-1/2" (2 Req.) | S04438 |
| 802A | Nut, Hex 5/8 - 11 (12 Req.) | S23109 |
| 802B | Nut, Hex 3/8 - 16 (2 Req.) | S23343 |
| 805 | Washer, Lock | S23038 |
| 810 | Plug, Pipe 1/2 NPT (5 Req.) | S23717 |
| 811 | Fitting, Grease | S23700 |
| 812 | Elbow, Street | S25421 |

TABLE II

| HP | PH | Bracket No. | "AK" Fit | "U" Dim. | Motor Frame |
|----|----|-------------|----------|----------|-------------|
| 15 | 3 | H01601 | 12-1/2" | 1-1/4" | 284JP |
| 20 | 3 | H01601 | 12-1/2" | 1-1/4" | 286JP |
| 25 | 3 | H01601 | 12-1/2" | 1-1/4" | 324JP |
| 30 | 3 | H01601 | 12-1/2" | 1-1/4" | 326JP |

NOTE: For an explanation of the tabulated material found on this page and for impeller key location, refer to *Supplement A* located at the beginning of this section.



TYPE "B" SINGLE STAGE CENTRIFUGAL PUMP Electric Motor Drive

| | |
|-------------------|-----------------|
| Section | CC |
| Page | 420.2 |
| Date | January 1, 2004 |
| Supersedes 6/1/95 | |

CAST IRON IMPELLER

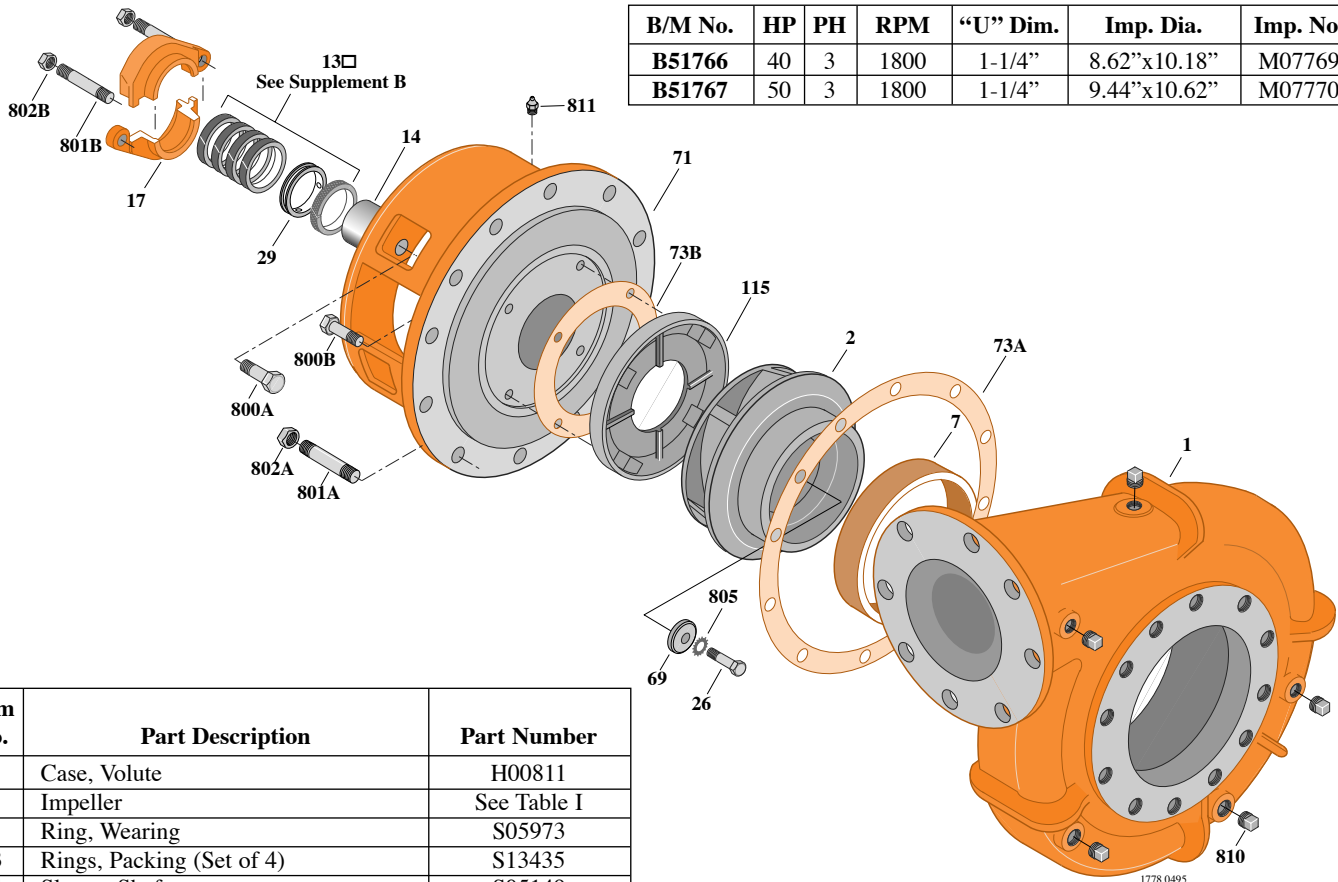
B8GPBM

Flanged Case

Packing Construction

TABLE I

| B/M No. | HP | PH | RPM | "U" Dim. | Imp. Dia. | Imp. No. |
|---------|----|----|------|----------|--------------|----------|
| B51766 | 40 | 3 | 1800 | 1-1/4" | 8.62"x10.18" | M07769 |
| B51767 | 50 | 3 | 1800 | 1-1/4" | 9.44"x10.62" | M07770 |



| Item No. | Part Description | Part Number |
|----------|--------------------------------------|--------------|
| 1 | Case, Volute | H00811 |
| 2 | Impeller | See Table I |
| 7 | Ring, Wearing | S05973 |
| 13 | Rings, Packing (Set of 4) | S13435 |
| 14 | Sleeve, Shaft | S05149 |
| 17 | Gland, Packing | B82470 |
| 26 | Screw, Impeller 1/2 - 13 x 3" | S23631 |
| 29 | Ring, Lantern | S19200 |
| 32 | Key, 1/4 x 2-1/4" (See Note) | S23677 |
| 69 | Washer, Impeller | S06319 |
| 71 | Bracket | See Table II |
| 73A | Gasket, Volute Case | S06271 |
| 73B | Gasket, Balance Ring | S09943 |
| 115 | Ring, Balance | S14065 |
| 800A | Capscrew, 5/8 - 11 x 1-1/2" (4 Req.) | S26999 |
| 800B | Capscrew, 3/8 - 16 x 1-1/2" (4 Req.) | S26830 |
| 801A | Stud, 5/8 - 11 x 2-1/4" (12 Req.) | S24061 |
| 801B | Stud, 3/8 - 16 x 2-1/2" (2 Req.) | S04438 |
| 802A | Nut, Hex 5/8 - 11 (12 Req.) | S23109 |
| 802B | Nut, Hex 3/8 - 16 (2 Req.) | S23343 |
| 805 | Washer, Lock | S23038 |
| 810 | Plug, Pipe 1/2 NPT (5 Req.) | S23717 |
| 811 | Fitting, Grease | S23700 |
| 812 | Elbow, Street | S25421 |

TABLE II

| HP | PH | Bracket No. | "AK" Fit | "U" Dim. | Motor Frame |
|----|----|-------------|----------|----------|-------------|
| 40 | 3 | H01601 | 12-1/2" | 1-1/4" | 324JP |
| 50 | 3 | H01601 | 12-1/2" | 1-1/4" | 326JP |

NOTE: For an explanation of the tabulated material found on this page and for impeller key location, refer to *Supplement A* located at the beginning of this section.



TYPE "B" SINGLE STAGE CENTRIFUGAL PUMP Electric Motor Drive

| | |
|-------------------|-----------------|
| Section | CC |
| Page | 420.3 |
| Date | January 1, 2004 |
| Supersedes 6/1/95 | |

CAST IRON IMPELLER

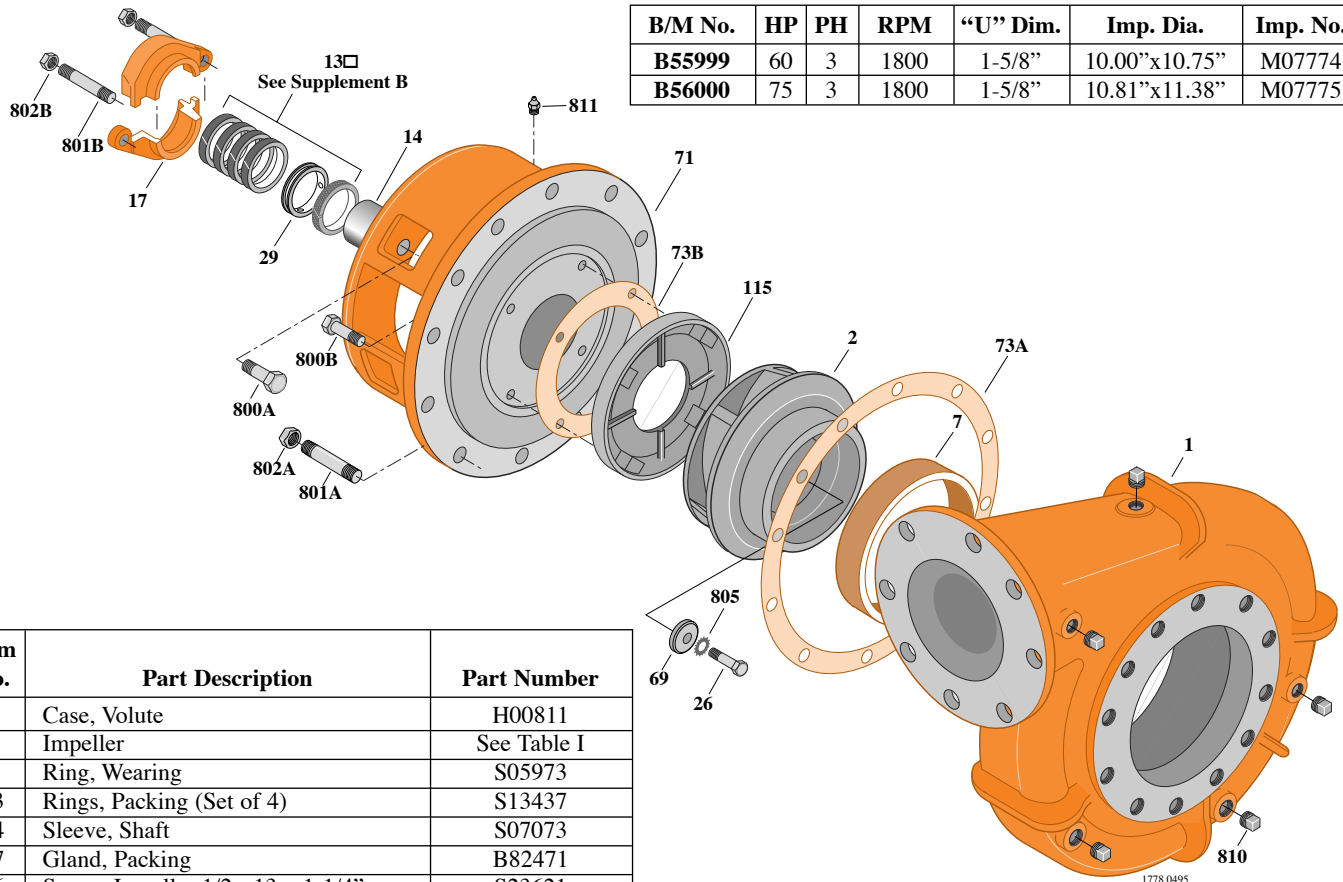
B8GPBM

Flanged Case

Packing Construction

TABLE I

| B/M No. | HP | PH | RPM | "U" Dim. | Imp. Dia. | Imp. No. |
|---------------|----|----|------|----------|---------------|----------|
| B55999 | 60 | 3 | 1800 | 1-5/8" | 10.00"x10.75" | M07774 |
| B56000 | 75 | 3 | 1800 | 1-5/8" | 10.81"x11.38" | M07775 |



| Item No. | Part Description | Part Number |
|----------|--|--------------|
| 1 | Case, Volute | H00811 |
| 2 | Impeller | See Table I |
| 7 | Ring, Wearing | S05973 |
| 13 | Rings, Packing (Set of 4) | S13437 |
| 14 | Sleeve, Shaft | S07073 |
| 17 | Gland, Packing | B82471 |
| 26 | Screw, Impeller 1/2 - 13 x 1-1/4" | S23621 |
| 29 | Ring, Lantern | S19198 |
| 32 | Key, 3/8 x 2-1/4" (See Note) | S23940 |
| 69 | Washer, Impeller | S34492 |
| 71 | Bracket | See Table II |
| 73A | Gasket, Volute Case | S06271 |
| 73B | Gasket, Balance Ring | S09943 |
| 115 | Ring, Balance | S14065 |
| 800A | Capscrew, 5/8 - 11 x 1-3/4" (4 Req.) | S27001 |
| 800B | Capscrew, 3/8 - 16 x 1-1/2" (4 Req.) | S26830 |
| 801A | Stud, 5/8 - 11 x 2-1/4" (12 Req.) | S24061 |
| 801B | Stud, 3/8 - 16 x 2-1/2" (2 Req.) | S04438 |
| 802A | Nut, Hex 5/8 - 11 (12 Req.) | S23109 |
| 802B | Nut, Hex 3/8 - 16 (2 Req.) | S23343 |
| 805 | Washer, Lock | S23038 |
| 810 | Plug, Pipe 1/2 NPT (4 Req.) | S23717 |
| 811 | Fitting, Grease | S23700 |
| 812 | Elbow, Street | S25421 |
| • | Plug, Pipe 1/4 NPT (2 Req) (Not Illustrated) | S23715 |

TABLE II

| HP | PH | Bracket No. | "AK" Fit | "U" Dim. | Motor Frame |
|----|----|-------------|----------|----------|-------------|
| 60 | 3 | H03622 | 12-1/2" | 1-5/8" | 364JP |
| 75 | 3 | H03622 | 12-1/2" | 1-5/8" | 365JP |

NOTE: For an explanation of the tabulated material found on this page and for impeller key location, refer to *Supplement A* located at the beginning of this section.



TYPE "B" SINGLE STAGE CENTRIFUGAL PUMP Electric Motor Drive

| | |
|-------------------|-----------------|
| Section | CC |
| Page | 420.4 |
| Date | January 1, 2004 |
| Supersedes 6/1/95 | |

CAST IRON IMPELLER

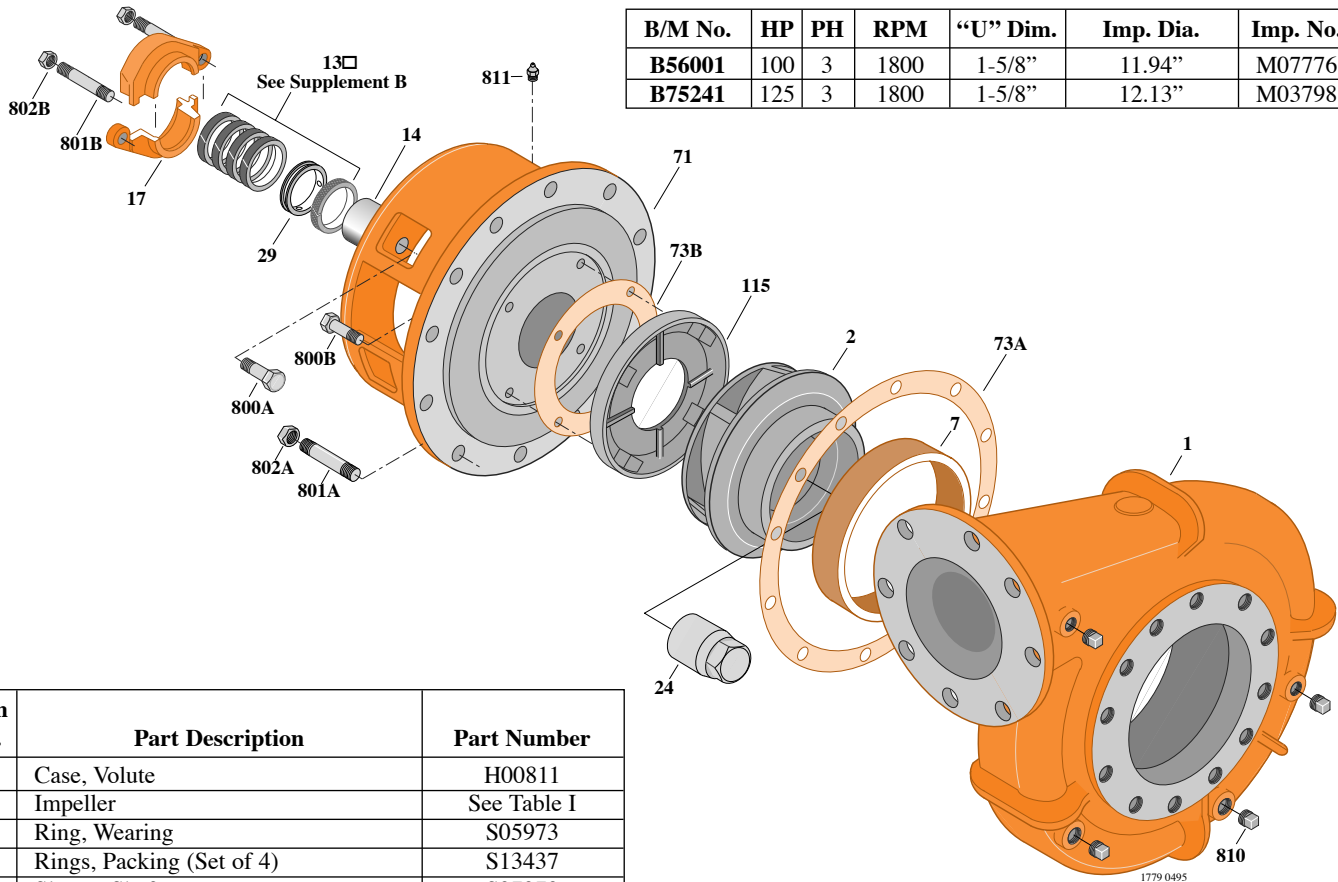
B8GPBM

Flanged Case

Packing Construction

TABLE I

| B/M No. | HP | PH | RPM | "U" Dim. | Imp. Dia. | Imp. No. |
|---------|-----|----|------|----------|-----------|----------|
| B56001 | 100 | 3 | 1800 | 1-5/8" | 11.94" | M07776 |
| B75241 | 125 | 3 | 1800 | 1-5/8" | 12.13" | M03798 |



| Item No. | Part Description | Part Number |
|----------|---|--------------|
| 1 | Case, Volute | H00811 |
| 2 | Impeller | See Table I |
| 7 | Ring, Wearing | S05973 |
| 13 | Rings, Packing (Set of 4) | S13437 |
| 14 | Sleeve, Shaft | S07073 |
| 17 | Gland, Packing | B82471 |
| 24 | Locknut, Impeller | S07829 |
| 29 | Ring, Lantern | S19198 |
| 32 | Key, 3/8 x 2-1/4" (See Note) | S23940 |
| 71 | Bracket | See Table II |
| 73A | Gasket, Volute Case | S06271 |
| 73B | Gasket, Balance Ring | S09943 |
| 115 | Ring, Balance | S14065 |
| 800A | Capscrew, 5/8 - 11 x 1-3/4" (8 Req.) | S27001 |
| 800B | Capscrew, 3/8 - 16 x 1-1/2" (4 Req.) | S26830 |
| 801A | Stud, 5/8 - 11 x 2-1/4" (12 Req.) | S24061 |
| 801B | Stud, 3/8 - 16 x 2-1/2" (2 Req.) | S04438 |
| 802A | Nut, Hex 5/8 - 11 (12 Req.) | S23109 |
| 802B | Nut, Hex 3/8 - 16 (2 Req.) | S23343 |
| 810 | Plug, Pipe 1/2 NPT (4 Req.) | S23717 |
| 811 | Fitting, Grease | S23700 |
| 812 | Elbow, Street | S25421 |
| • | Plug, Pipe 1/4 NPT (2 Req.) (Not Illustrated) | S23715 |

TABLE II

| HP | PH | Bracket No. | "AK" Fit | "U" Dim. | Motor Frame |
|-----|----|-------------|----------|----------|-------------|
| 100 | 3 | H03622 | 12-1/2" | 1-5/8" | 404TC |
| 125 | 3 | H03622 | 12-1/2" | 1-5/8" | 405TC |

NOTE: For an explanation of the tabulated material found on this page and for impeller key location, refer to *Supplement A* located at the beginning of this section.



TYPE "B" SINGLE STAGE CENTRIFUGAL PUMP Electric Motor Drive

| | |
|-------------------|-----------------|
| Section | CC |
| Page | 420.5 |
| Date | January 1, 2004 |
| Supersedes 6/1/95 | |

CAST IRON IMPELLER

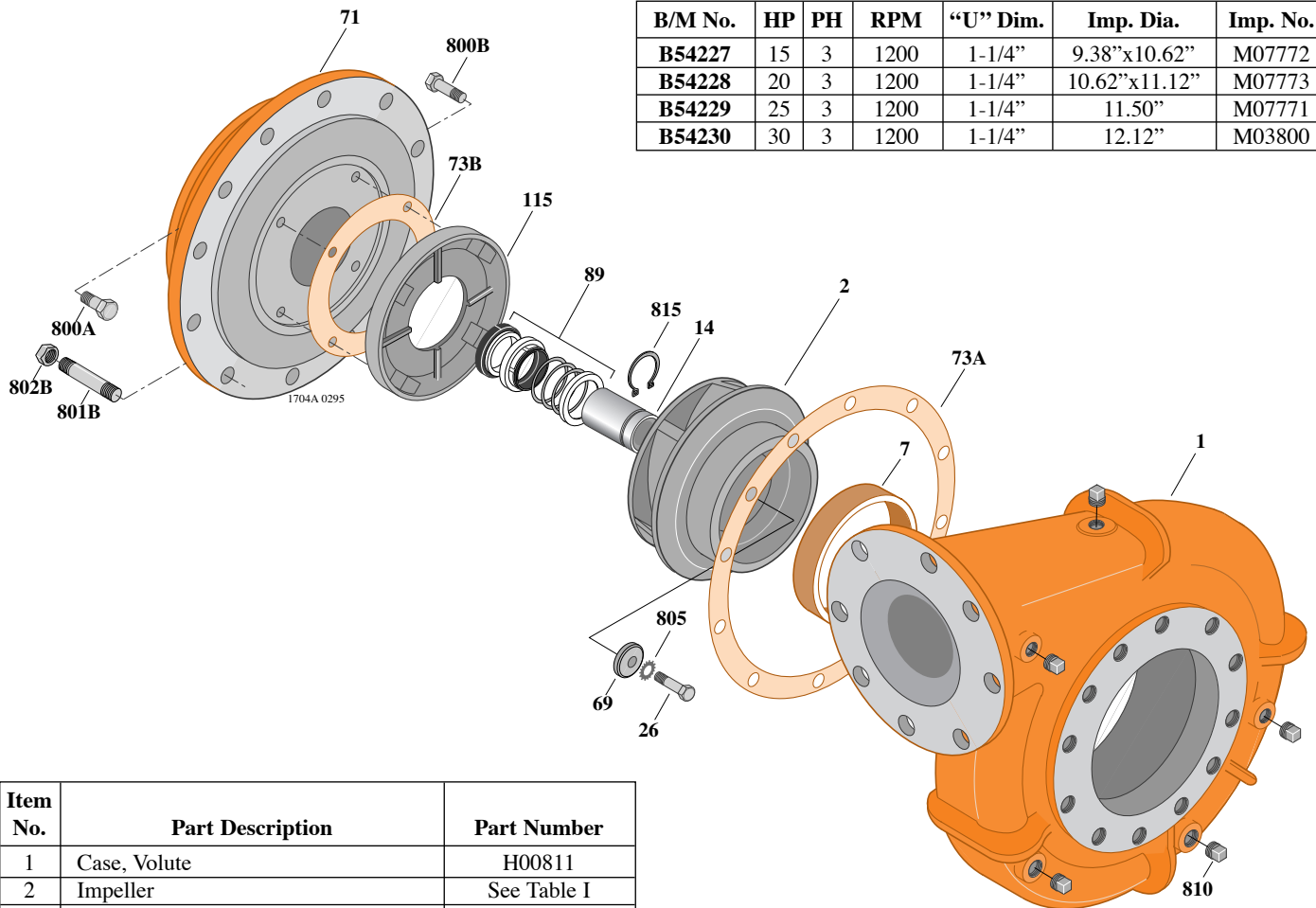
B8GPBMS

Flanged Case

Mechanical Shaft Seal Construction

TABLE I

| B/M No. | HP | PH | RPM | "U" Dim. | Imp. Dia. | Imp. No. |
|---------|----|----|------|----------|---------------|----------|
| B54227 | 15 | 3 | 1200 | 1-1/4" | 9.38"x10.62" | M07772 |
| B54228 | 20 | 3 | 1200 | 1-1/4" | 10.62"x11.12" | M07773 |
| B54229 | 25 | 3 | 1200 | 1-1/4" | 11.50" | M07771 |
| B54230 | 30 | 3 | 1200 | 1-1/4" | 12.12" | M03800 |



| Item No. | Part Description | Part Number |
|----------|--------------------------------------|--------------|
| 1 | Case, Volute | H00811 |
| 2 | Impeller | See Table I |
| 7 | Ring, Wearing | S05973 |
| 14 | Sleeve, Shaft | S18869 |
| 26 | Screw, Impeller 1/2 - 13 x 2-3/4" | S23630 |
| 32 | Key, 1/4 x 2-1/4" (See Note) | S23677 |
| 69 | Washer, Impeller | S06319 |
| 71 | Bracket | See Table II |
| 73A | Gasket, Volute Case | S06271 |
| 73B | Gasket, Balance Ring | S09943 |
| 89 | Seal, Mechanical Shaft | S32015 |
| 115 | Ring, Balance | S19073 |
| 800A | Capscrew, 5/8 - 11 x 1-1/2" (4 Req.) | S26999 |
| 800B | Capscrew, 3/8 - 16 x 1" (4 Req.) | S26826 |
| 801 | Stud, 5/8 - 11 x 2-1/4" (12 Req.) | S24061 |
| 802 | Nut, Hex 5/8 - 11 (12 Req.) | S23109 |
| 805 | Washer, Lock | S23038 |
| 810 | Plug, Pipe 1/2 NPT (5 Req.) | S23717 |
| 815 | Ring, Retaining | S16767 |

TABLE II

| HP | PH | Bracket No. | "AK" Fit | "U" Dim. | Motor Frame |
|----|----|-------------|----------|----------|-------------|
| 15 | 3 | H03301 | 12-1/2" | 1-1/4" | 284JM |
| 20 | 3 | H03301 | 12-1/2" | 1-1/4" | 286JM |
| 25 | 3 | H03301 | 12-1/2" | 1-1/4" | 324JM |
| 30 | 3 | H03301 | 12-1/2" | 1-1/4" | 326JM |

NOTE: For an explanation of the tabulated material found on this page and for impeller key location, refer to *Supplement A* located at the beginning of this section.



TYPE "B" SINGLE STAGE CENTRIFUGAL PUMP Electric Motor Drive

| | |
|-------------------|-----------------|
| Section | CC |
| Page | 420.6 |
| Date | January 1, 2004 |
| Supersedes 6/1/95 | |

CAST IRON IMPELLER

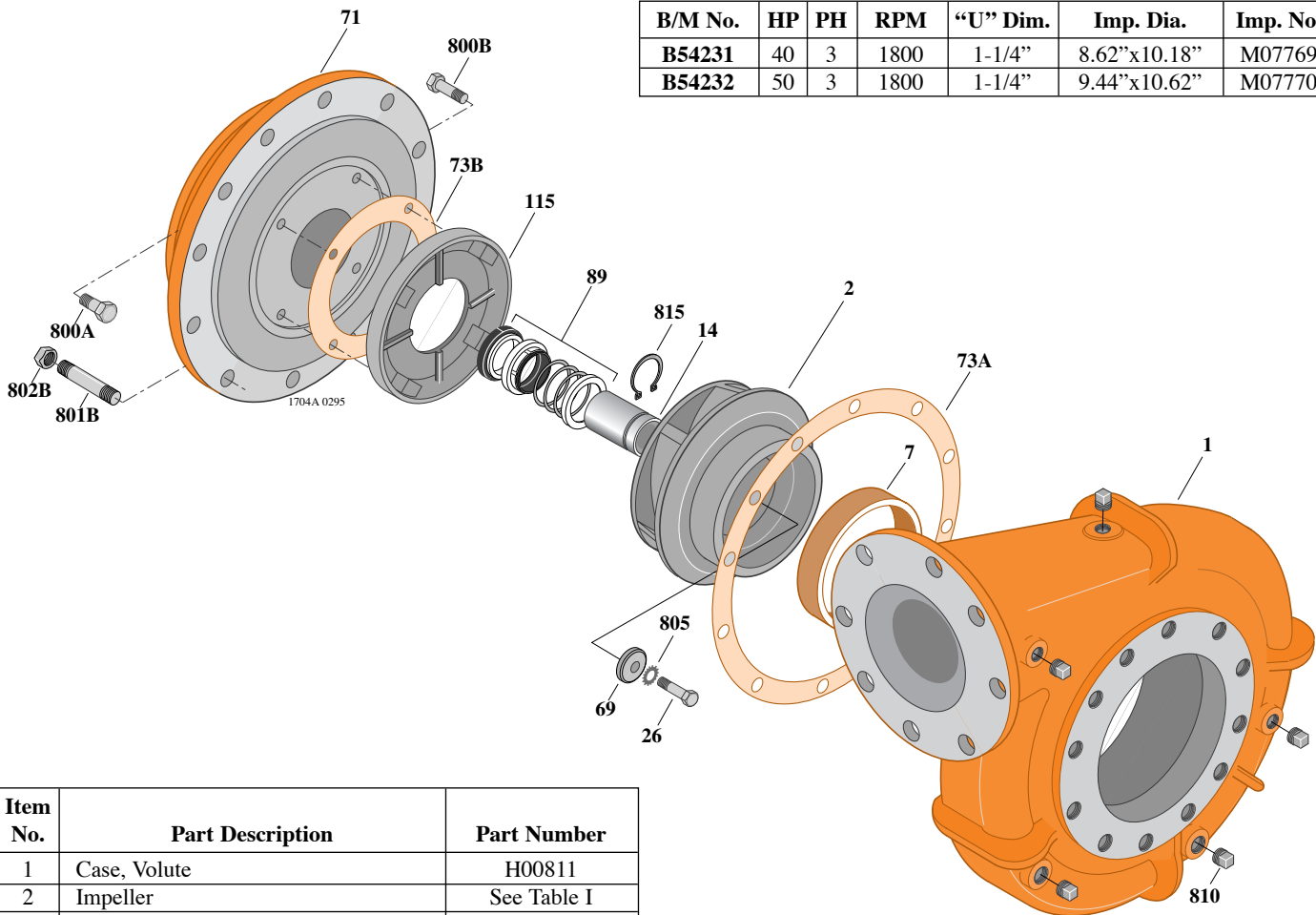
B8GPBMS

Flanged Case

Mechanical Shaft Seal Construction

TABLE I

| B/M No. | HP | PH | RPM | "U" Dim. | Imp. Dia. | Imp. No. |
|---------|----|----|------|----------|--------------|----------|
| B54231 | 40 | 3 | 1800 | 1-1/4" | 8.62"x10.18" | M07769 |
| B54232 | 50 | 3 | 1800 | 1-1/4" | 9.44"x10.62" | M07770 |



| Item No. | Part Description | Part Number |
|----------|--------------------------------------|--------------|
| 1 | Case, Volute | H00811 |
| 2 | Impeller | See Table I |
| 7 | Ring, Wearing | S05973 |
| 14 | Sleeve, Shaft | S18869 |
| 26 | Screw, Impeller 1/2 - 13 x 2-3/4" | S23630 |
| 32 | Key, 1/4 x 2-1/4" (See Note) | S23677 |
| 69 | Washer, Impeller | S06319 |
| 71 | Bracket | See Table II |
| 73A | Gasket, Volute Case | S06271 |
| 73B | Gasket, Balance Ring | S09943 |
| 89 | Seal, Mechanical Shaft | S32015 |
| 115 | Ring, Balance | S19073 |
| 800A | Capscrew, 5/8 - 11 x 1-1/2" (4 Req.) | S26999 |
| 800B | Capscrew, 3/8 - 16 x 1" (4 Req.) | S26826 |
| 801 | Stud, 5/8 - 11 x 2-1/4" (12 Req.) | S24061 |
| 802 | Nut, Hex 5/8 - 11 (12 Req.) | S23109 |
| 805 | Washer, Lock | S23038 |
| 810 | Plug, Pipe 1/2 NPT (5 Req.) | S23717 |
| 815 | Ring, Retaining | S16767 |

TABLE II

| HP | PH | Bracket No. | "AK" Fit | "U" Dim. | Motor Frame |
|----|----|-------------|----------|----------|-------------|
| 40 | 3 | H03301 | 12-1/2" | 1-1/4" | 324JM |
| 50 | 3 | H03301 | 12-1/2" | 1-1/4" | 326JM |

NOTE: For an explanation of the tabulated material found on this page and for impeller key location, refer to *Supplement A* located at the beginning of this section.



TYPE "B" SINGLE STAGE CENTRIFUGAL PUMP Electric Motor Drive

| | |
|-------------------|-----------------|
| Section | CC |
| Page | 420.7 |
| Date | January 1, 2004 |
| Supersedes 6/1/95 | |

CAST IRON IMPELLER

B8GPBMS

Flanged Case

Mechanical Shaft Seal Construction

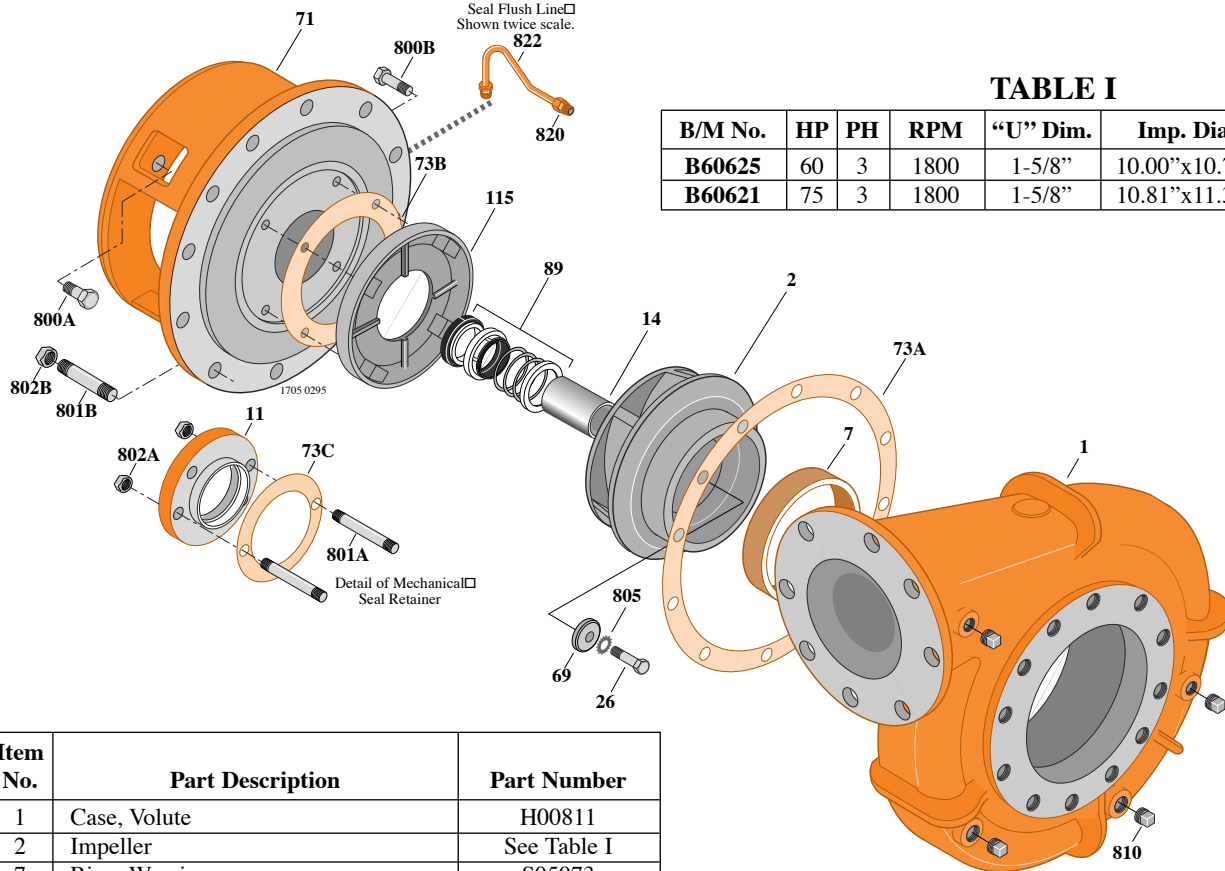


TABLE I

| B/M No. | HP | PH | RPM | "U" Dim. | Imp. Dia. | Imp. No. |
|---------------|----|----|------|----------|---------------|----------|
| B60625 | 60 | 3 | 1800 | 1-5/8" | 10.00"x10.75" | M07774 |
| B60621 | 75 | 3 | 1800 | 1-5/8" | 10.81"x11.38" | M07775 |

| Item No. | Part Description | Part Number |
|----------|--------------------------------------|--------------|
| 1 | Case, Volute | H00811 |
| 2 | Impeller | See Table I |
| 7 | Ring, Wearing | S05973 |
| 11 | Retainer, Mechanical Shaft Seal | S15377 |
| 14 | Sleeve, Shaft | S07073 |
| 26 | Screw, Impeller 1/2 - 13 x 1-1/4" | S23621 |
| 32 | Key, 3/8 x 2-1/4" (See Note) | S23940 |
| 69 | Washer, Impeller | S34492 |
| 71 | Bracket | See Table II |
| 73A | Gasket, Volute Case | S06271 |
| 73B | Gasket, Balance Ring | S09943 |
| 73C | Gasket, Seal Retainer | S16411 |
| 89 | Seal, Mechanical Shaft | S32016 |
| 115 | Ring, Balance | S14065 |
| 800A | Capscrew, 5/8 - 11 x 1-3/4" (4 Req.) | S27001 |
| 800B | Capscrew, 3/8 - 16 x 1-1/2" (4 Req.) | S26830 |
| 801A | Stud, 3/8 - 16 x 2-1/2" (2 Req.) | S04438 |
| 801B | Stud, 5/8 - 11 x 2-1/4" (12 Req.) | S24061 |
| 802A | Nut, Hex 3/8 - 16 (2 Req.) | S23343 |
| 802B | Nut, Hex 5/8 - 11 (12 Req.) | S23109 |
| 805 | Washer, Lock | S23038 |
| 810 | Plug, Pipe 1/2 NPT (4 Req.) | S23717 |
| 820 | Connector, Comp. Fitting (2 Req.) | S24013 |
| 822 | Tubing, Copper | S20677 |
| • | Plug, Pipe 1/8 NPT (Not Illustrated) | S23714 |
| • | Plug, Pipe 1/4 NPT (Not Illustrated) | S23715 |

TABLE II

| HP | PH | Bracket No. | "AK" Fit | "U" Dim. | Motor Frame |
|----|----|-------------|----------|----------|-------------|
| 60 | 3 | H03936 | 12-1/2" | 1-5/8" | 364JP |
| 75 | 3 | H03936 | 12-1/2" | 1-5/8" | 365JP |

NOTE: For an explanation of the tabulated material found on this page and for impeller key location, refer to *Supplement A* located at the beginning of this section.



TYPE "B" SINGLE STAGE CENTRIFUGAL PUMP Electric Motor Drive

| | |
|-------------------|-----------------|
| Section | CC |
| Page | 420.8 |
| Date | January 1, 2004 |
| Supersedes 6/1/95 | |

CAST IRON IMPELLER

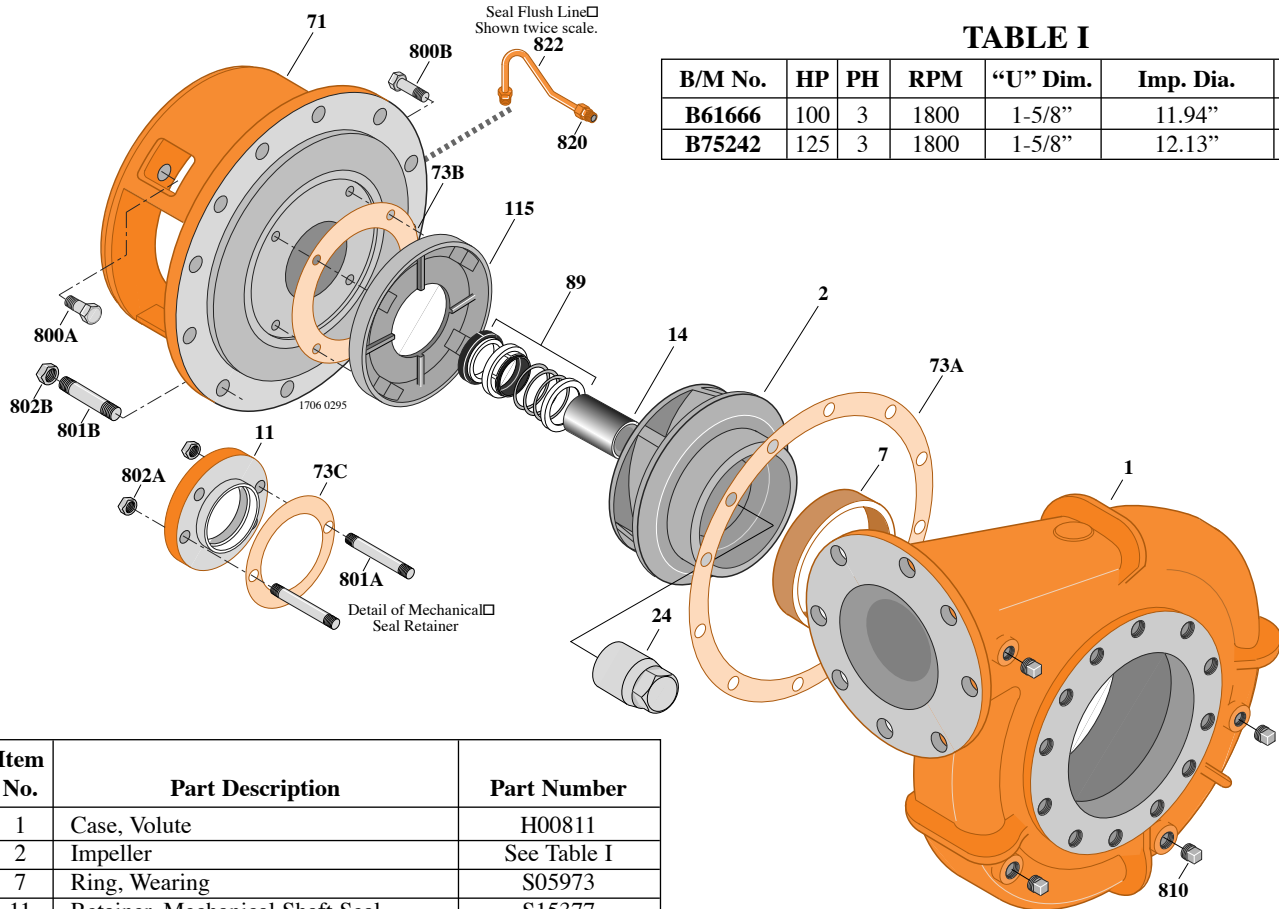
B8GPBMS

Flanged Case

Mechanical Shaft Seal Construction

TABLE I

| B/M No. | HP | PH | RPM | "U" Dim. | Imp. Dia. | Imp. No. |
|---------|-----|----|------|----------|-----------|----------|
| B61666 | 100 | 3 | 1800 | 1-5/8" | 11.94" | M07776 |
| B75242 | 125 | 3 | 1800 | 1-5/8" | 12.13" | M03798 |



| Item No. | Part Description | Part Number |
|----------|--------------------------------------|--------------|
| 1 | Case, Volute | H00811 |
| 2 | Impeller | See Table I |
| 7 | Ring, Wearing | S05973 |
| 11 | Retainer, Mechanical Shaft Seal | S15377 |
| 14 | Sleeve, Shaft | S07073 |
| 24 | Nut, Impeller | S07829 |
| 32 | Key, 3/8 x 2-1/4" (See Note) | S23940 |
| 71 | Bracket | See Table II |
| 73A | Gasket, Volute Case | S06271 |
| 73B | Gasket, Balance Ring | S09943 |
| 73C | Gasket, Seal Retainer | S16411 |
| 89 | Seal, Mechanical Shaft | S32016 |
| 115 | Ring, Balance | S14065 |
| 800A | Capscrew, 5/8 - 11 x 1-3/4" (8 Req.) | S27001 |
| 800B | Capscrew, 3/8 - 16 x 1-1/2" (4 Req.) | S26830 |
| 801A | Stud, 3/8 - 16 x 2-1/2" (2 Req.) | S04438 |
| 801B | Stud, 5/8 - 11 x 2-1/4" (12 Req.) | S24061 |
| 802A | Nut, Hex 3/8 - 16 (2 Req.) | S23343 |
| 802B | Nut, Hex 5/8 - 11 (12 Req.) | S23109 |
| 810 | Plug, Pipe 1/2 NPT (4 Req.) | S23717 |
| 820 | Connector, Comp. Fitting (2 Req.) | S24013 |
| 822 | Tubing, Copper | S20677 |
| • | Plug, Pipe 1/4 NPT (Not Illustrated) | S14692 |
| • | Plug, Pipe 1/8 NPT (Not Illustrated) | S23714 |

TABLE II

| HP | PH | Bracket No. | "AK" Fit | "U" Dim. | Motor Frame |
|-----|----|-------------|----------|----------|-------------|
| 100 | 3 | H03936 | 12-1/2" | 1-5/8" | 404TC |
| 125 | 3 | H03936 | 12-1/2" | 1-5/8" | 405TC |

NOTE: For an explanation of the tabulated material found on this page and for impeller key location, refer to *Supplement A* located at the beginning of this section.



TYPE "B" SINGLE STAGE CENTRIFUGAL PUMP Electric Motor Drive

| | |
|-------------------|-----------------|
| Section | CC |
| Page | 420.9 |
| Date | January 1, 2004 |
| Supersedes 9/1/97 | |

SILICON BRONZE IMPELLER

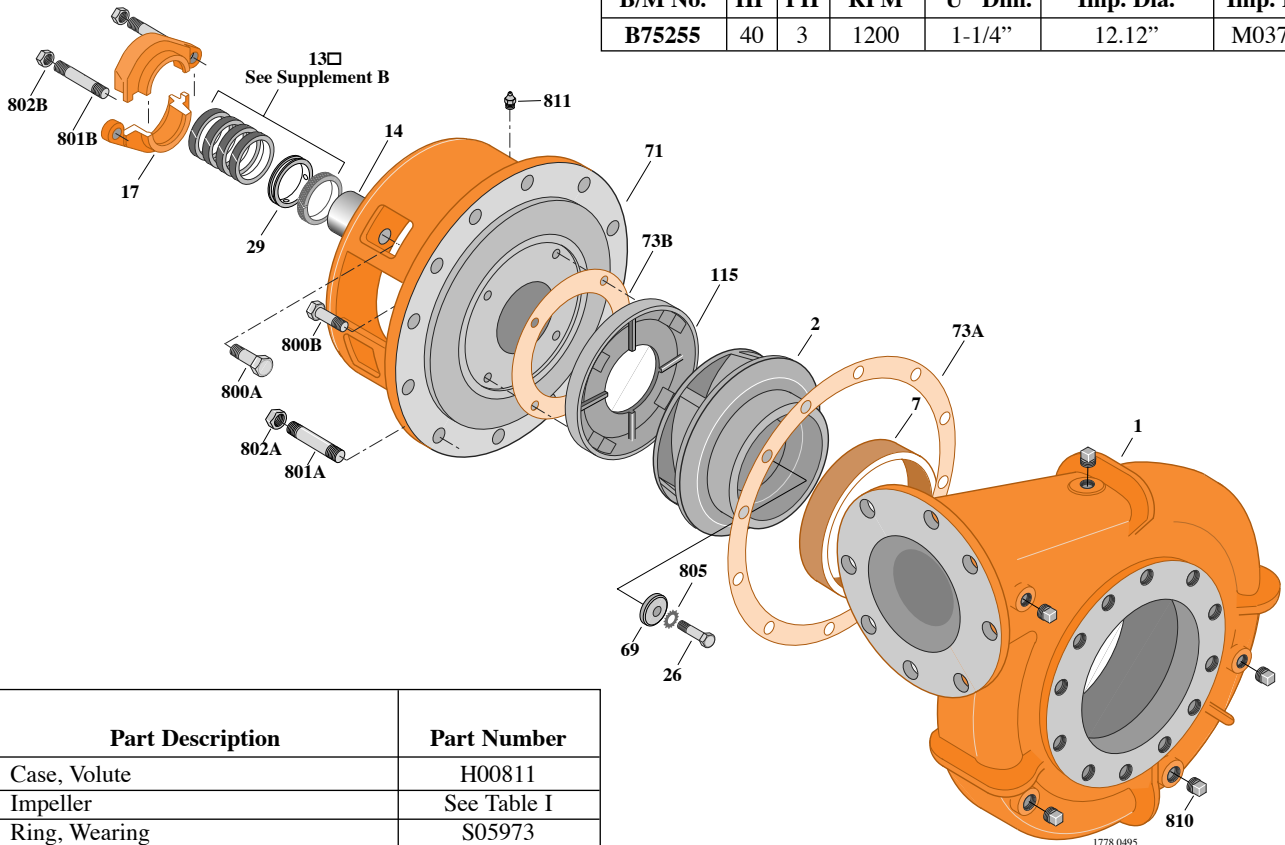
B8GPBM

Flanged Case

Packing Construction

TABLE I

| B/M No. | HP | PH | RPM | "U" Dim. | Imp. Dia. | Imp. No. |
|---------|----|----|------|----------|-----------|----------|
| B75255 | 40 | 3 | 1200 | 1-1/4" | 12.12" | M03798 |



| Item No. | Part Description | Part Number |
|----------|--------------------------------------|--------------|
| 1 | Case, Volute | H00811 |
| 2 | Impeller | See Table I |
| 7 | Ring, Wearing | S05973 |
| 13 | Rings, Packing (Set of 4) | S13437 |
| 14 | Sleeve, Shaft | S07073 |
| 17 | Gland, Packing | B82471 |
| 26 | Screw, Impeller 1/2 - 13 x 1-1/4" | S23621 |
| 29 | Ring, Lantern | S19198 |
| 32 | Key, 3/8 x 2-1/4" (See Note) | S23940 |
| 69 | Washer, Impeller | S34492 |
| 71 | Bracket | See Table II |
| 73A | Gasket, Volute Case | S06271 |
| 73B | Gasket, Balance Ring | S09943 |
| 115 | Ring, Balance | S14065 |
| 800A | Capscrew, 5/8 - 11 x 1-3/4" (4 Req.) | S27001 |
| 800B | Capscrew, 3/8 - 16 x 1-1/2" (4 Req.) | S26830 |
| 801A | Stud, 5/8 - 11 x 2-1/4" (12 Req.) | S24061 |
| 801B | Stud, 3/8 - 16 x 2-1/2" (2 Req.) | S04438 |
| 802A | Nut, Hex 5/8 - 11 (12 Req.) | S23109 |
| 802B | Nut, Hex 3/8 - 16 (2 Req.) | S23343 |
| 805 | Washer, Lock | S23038 |
| 810 | Plug, Pipe 1/2" NPT (5 Req.) | S23717 |
| 811 | Fitting, Grease | S23700 |

TABLE II

| HP | PH | Bracket No. | "AK" Fit | "U" Dim. | Motor Frame |
|----|----|-------------|----------|----------|-------------|
| 40 | 3 | H03622 | 12-1/2" | 1-1/4" | 364TCZ |

NOTE: For an explanation of the tabulated material found on this page and for impeller key location, refer to *Supplement A* located at the beginning of this section.



TYPE "B" SINGLE STAGE CENTRIFUGAL PUMP Electric Motor Drive

| | |
|-------------------|-----------------|
| Section | CC |
| Page | 420.10 |
| Date | January 1, 2004 |
| Supersedes 9/1/97 | |

SILICON BRONZE IMPELLER

B8GPBMS

Flanged Case

Mechanical Shaft Seal Construction

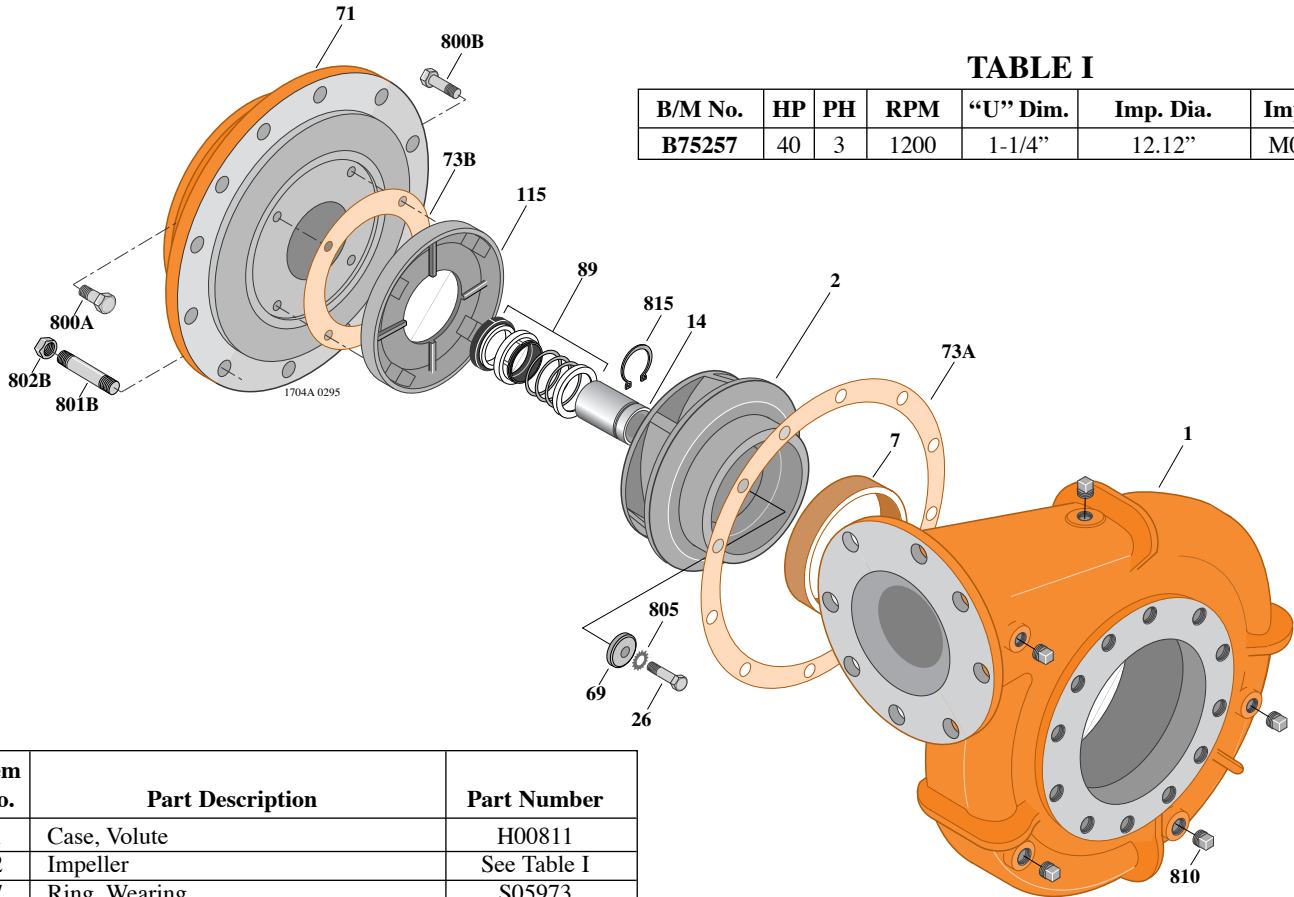


TABLE I

| B/M No. | HP | PH | RPM | "U" Dim. | Imp. Dia. | Imp. No. |
|---------|----|----|------|----------|-----------|----------|
| B75257 | 40 | 3 | 1200 | 1-1/4" | 12.12" | M03798 |

| Item No. | Part Description | Part Number |
|----------|---|--------------|
| 1 | Case, Volute | H00811 |
| 2 | Impeller | See Table I |
| 7 | Ring, Wearing | S05973 |
| 11 | Retainer, Mechanical Shaft Seal | S15377 |
| 14 | Sleeve, Shaft | S07073 |
| 26 | Screw, Impeller 1/2 - 13 x 1-1/4" | S23621 |
| 32 | Key, 3/8 x 2-1/4" (See Note) | S23940 |
| 69 | Washer, Impeller | S34492 |
| 71 | Bracket | See Table II |
| 73A | Gasket, Volute Case | S06271 |
| 73B | Gasket, Balance Ring | S09943 |
| 73C | Gasket, Mechanical Shaft Seal Retainer | S15078 |
| 89 | Seal, Mechanical Shaft | S32016 |
| 115 | Ring, Balance | S14065 |
| 800A | Capscrew, 5/8 - 11 x 1-3/4" (4 Req.) | S27001 |
| 800B | Capscrew, 3/8 - 16 x 1-1/2" (4 Req.) | S26830 |
| 801A | Stud, 3/8 - 16 x 2-1/2" (2 Req.) | S04438 |
| 801B | Stud, 5/8 - 11 x 2-1/4" (12 Req.) | S24061 |
| 802A | Nut, Hex 3/8 - 16 (2 Req.) | S23343 |
| 802B | Nut, Hex 5/8 - 11 (12 Req.) | S23109 |
| 805 | Washer, Lock | S23038 |
| 810 | Plug, Pipe 1/2" NPT (5 Req.) | S23717 |
| • | Plug, Pipe 1/8" NPT(In Bracket)(2 Req.) | S23714 |

TABLE II

| HP | PH | Bracket No. | "AK" Fit | "U" Dim. | Motor Frame |
|----|----|-------------|----------|----------|-------------|
| 40 | 3 | H03301 | 12-1/2" | 1-1/4" | 364JMZ |

NOTE: For an explanation of the tabulated material found on this page and for impeller key location, refer to *Supplement A* located at the beginning of this section.

NOTE: For seal flush line details, see *Supplement D*.

• Not illustrated.



TYPE "B" SINGLE STAGE CENTRIFUGAL PUMP Electric Motor Drive

| | |
|-----------------|-----------------|
| Section | CC |
| Page | 420.11 |
| Date | January 1, 2004 |
| Supersedes /New | |

BRONZE IMPELLER

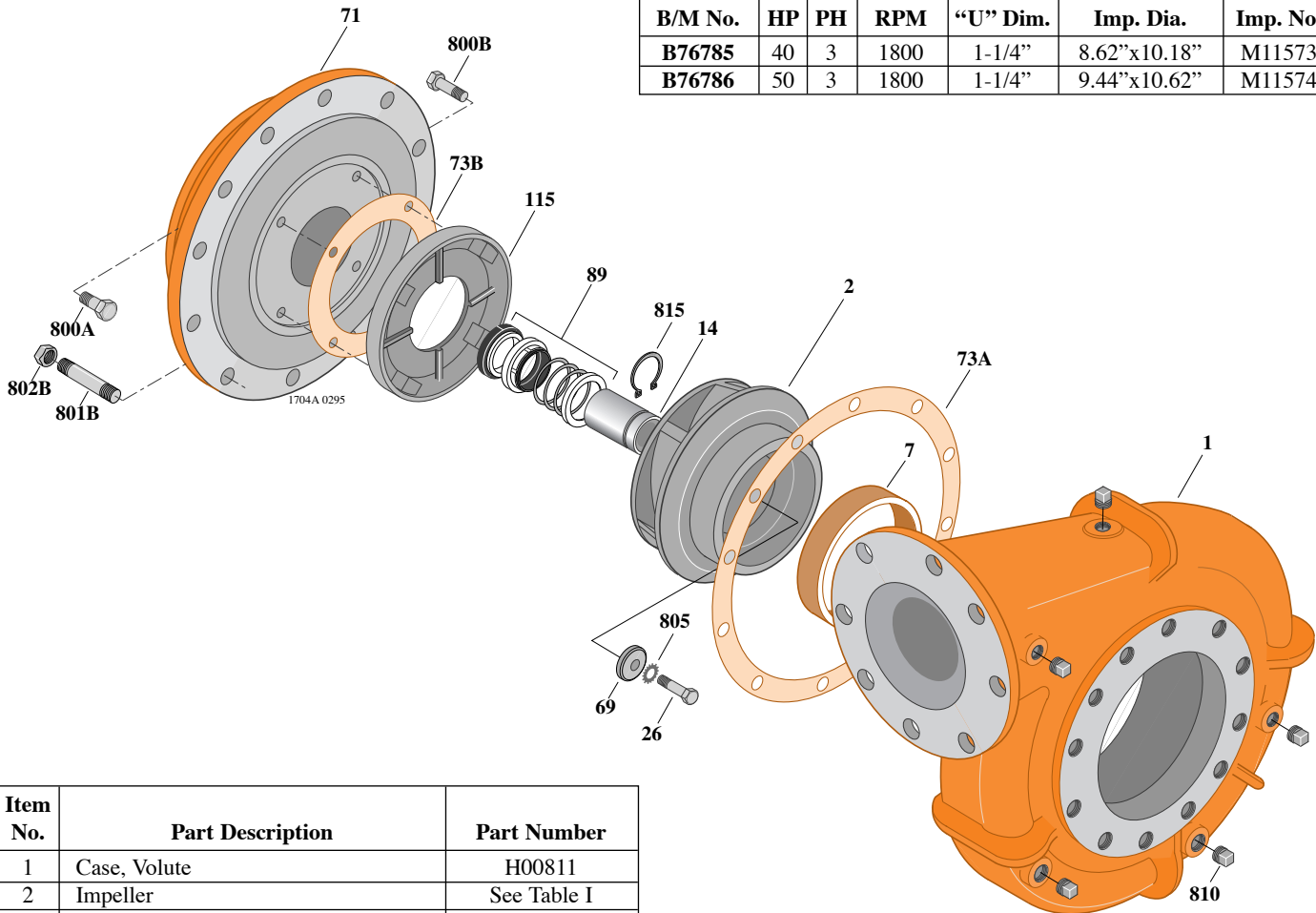
B8GPBMS

Flanged Case

Mechanical Shaft Seal Construction

TABLE I

| B/M No. | HP | PH | RPM | "U" Dim. | Imp. Dia. | Imp. No. |
|---------------|----|----|------|----------|--------------|----------|
| B76785 | 40 | 3 | 1800 | 1-1/4" | 8.62"x10.18" | M11573 |
| B76786 | 50 | 3 | 1800 | 1-1/4" | 9.44"x10.62" | M11574 |



| Item No. | Part Description | Part Number |
|----------|--------------------------------------|--------------|
| 1 | Case, Volute | H00811 |
| 2 | Impeller | See Table I |
| 7 | Ring, Wearing | S05973 |
| 14 | Sleeve, Shaft | S18869 |
| 26 | Screw, Impeller 1/2 - 13 x 2-3/4" | S23630 |
| 32 | Key, 1/4 x 2-1/4" (See Note) | S23677 |
| 69 | Washer, Impeller | S06319 |
| 71 | Bracket | See Table II |
| 73A | Gasket, Volute Case | S06271 |
| 73B | Gasket, Balance Ring | S09943 |
| 89 | Seal, Mechanical Shaft | S32015 |
| 115 | Ring, Balance | S19073 |
| 800A | Capscrew, 5/8 - 11 x 1-1/2" (4 Req.) | S26999 |
| 800B | Capscrew, 3/8 - 16 x 1" (4 Req.) | S26826 |
| 801 | Stud, 5/8 - 11 x 2-1/4" (12 Req.) | S24061 |
| 802 | Nut, Hex 5/8 - 11 (12 Req.) | S23109 |
| 805 | Washer, Lock | S23038 |
| 810 | Plug, Pipe 1/2 NPT (5 Req.) | S23717 |
| 815 | Ring, Retaining | S16767 |

TABLE II

| HP | PH | Bracket No. | "AK" Fit | "U" Dim. | Motor Frame |
|----|----|-------------|----------|----------|-------------|
| 40 | 3 | H03301 | 12-1/2" | 1-1/4" | 324JM |
| 50 | 3 | H03301 | 12-1/2" | 1-1/4" | 326JM |

NOTE: For an explanation of the tabulated material found on this page and for impeller key location, refer to *Supplement A* located at the beginning of this section.



TYPE "B" SINGLE STAGE CENTRIFUGAL PUMP Electric Motor Drive

| | |
|----------------|-----------------|
| Section | CC |
| Page | 420.12 |
| Date | January 1, 2004 |
| Supersedes/New | |

BRONZE IMPELLER

B8GPBMS

Flanged Case

Mechanical Shaft Seal Construction

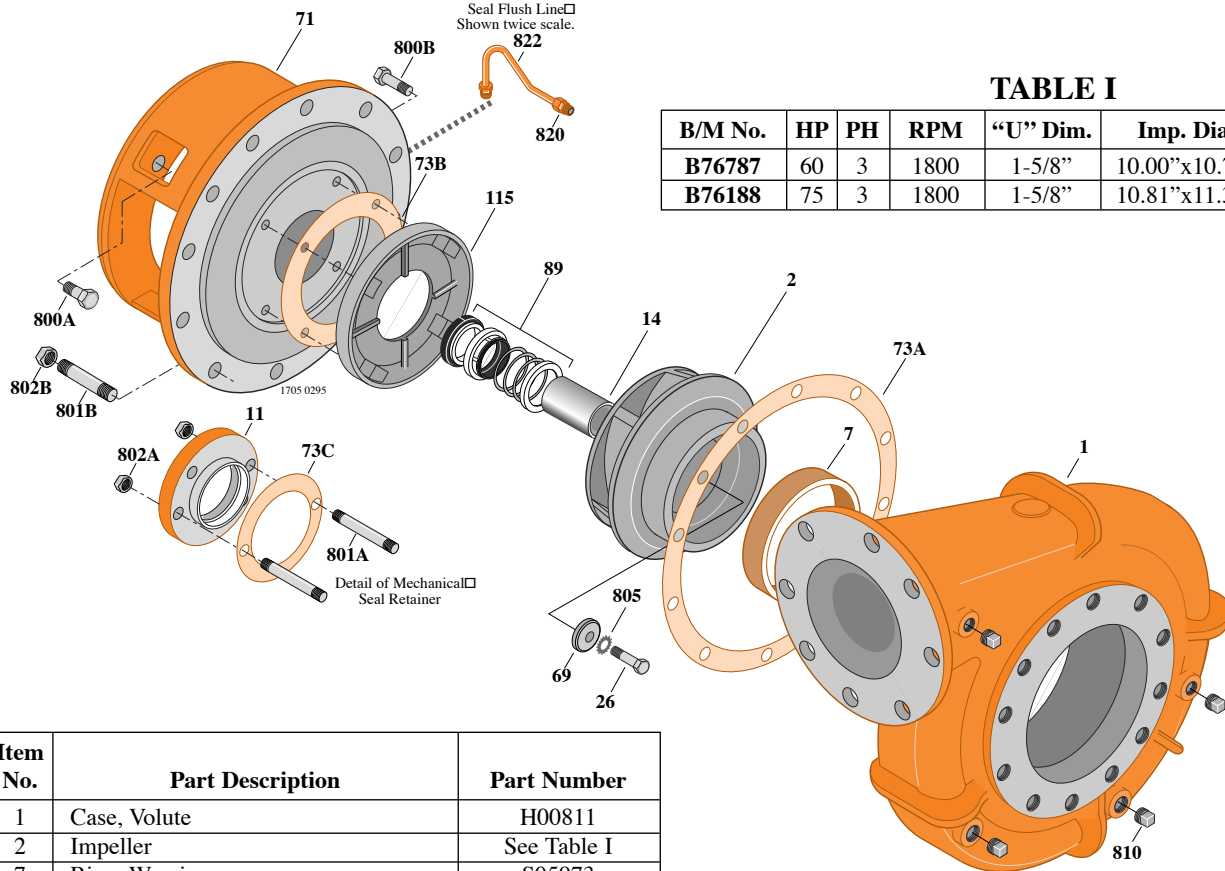


TABLE I

| B/M No. | HP | PH | RPM | "U" Dim. | Imp. Dia. | Imp. No. |
|---------------|----|----|------|----------|---------------|----------|
| B76787 | 60 | 3 | 1800 | 1-5/8" | 10.00"x10.75" | M11575 |
| B76188 | 75 | 3 | 1800 | 1-5/8" | 10.81"x11.38" | M11576 |

| Item No. | Part Description | Part Number |
|----------|--------------------------------------|--------------|
| 1 | Case, Volute | H00811 |
| 2 | Impeller | See Table I |
| 7 | Ring, Wearing | S05973 |
| 11 | Retainer, Mechanical Shaft Seal | S15377 |
| 14 | Sleeve, Shaft | S07073 |
| 26 | Screw, Impeller 1/2 - 13 x 1-1/4" | S23621 |
| 32 | Key, 3/8 x 2-1/4" (See Note) | S23940 |
| 69 | Washer, Impeller | S34492 |
| 71 | Bracket | See Table II |
| 73A | Gasket, Volute Case | S06271 |
| 73B | Gasket, Balance Ring | S09943 |
| 73C | Gasket, Seal Retainer | S16411 |
| 89 | Seal, Mechanical Shaft | S32016 |
| 115 | Ring, Balance | S14065 |
| 800A | Capscrew, 5/8 - 11 x 1-3/4" (4 Req.) | S27001 |
| 800B | Capscrew, 3/8 - 16 x 1-1/2" (4 Req.) | S26830 |
| 801A | Stud, 3/8 - 16 x 2-1/2" (2 Req.) | S04438 |
| 801B | Stud, 5/8 - 11 x 2-1/4" (12 Req.) | S24061 |
| 802A | Nut, Hex 3/8 - 16 (2 Req.) | S23343 |
| 802B | Nut, Hex 5/8 - 11 (12 Req.) | S23109 |
| 805 | Washer, Lock | S23038 |
| 810 | Plug, Pipe 1/2 NPT (4 Req.) | S23717 |
| 820 | Connector, Comp. Fitting (2 Req.) | S24013 |
| 822 | Tubing, Copper | S20677 |
| • | Plug, Pipe 1/8 NPT (Not Illustrated) | S23714 |
| • | Plug, Pipe 1/4 NPT (Not Illustrated) | S23715 |

TABLE II

| HP | PH | Bracket No. | "AK" Fit | "U" Dim. | Motor Frame |
|----|----|-------------|----------|----------|-------------|
| 60 | 3 | H03936 | 12-1/2" | 1-5/8" | 364JP |
| 75 | 3 | H03936 | 12-1/2" | 1-5/8" | 365JP |

NOTE: For an explanation of the tabulated material found on this page and for impeller key location, refer to *Supplement A* located at the beginning of this section.



TYPE "B" SINGLE STAGE CENTRIFUGAL PUMP Electric Motor Drive

| | |
|----------------|-----------------|
| Section | CC |
| Page | 420.13 |
| Date | January 1, 2004 |
| Supersedes/New | |

BRONZE IMPELLER

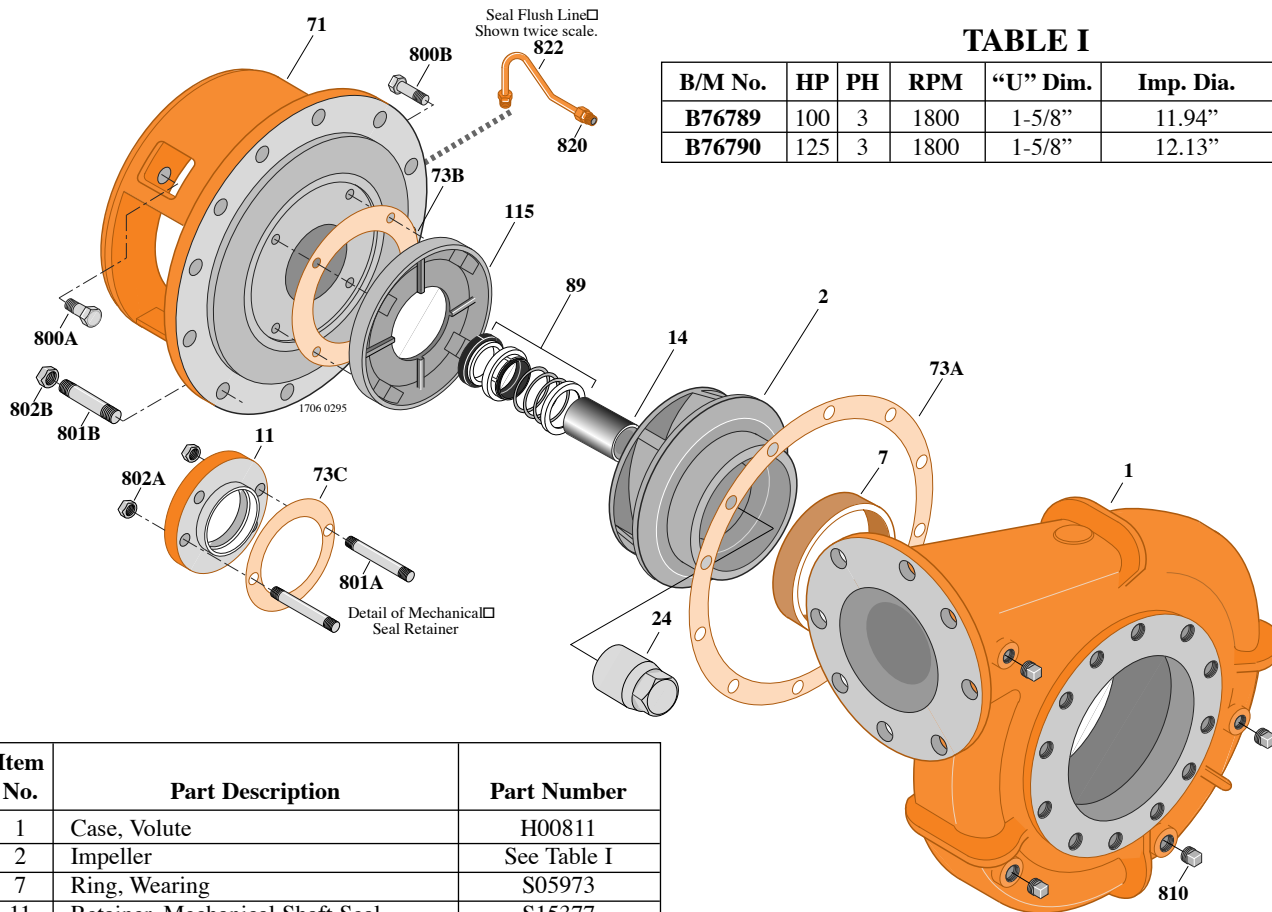
B8GPBMS

Flanged Case

Mechanical Shaft Seal Construction

TABLE I

| B/M No. | HP | PH | RPM | "U" Dim. | Imp. Dia. | Imp. No. |
|---------|-----|----|------|----------|-----------|----------|
| B76789 | 100 | 3 | 1800 | 1-5/8" | 11.94" | M11577 |
| B76790 | 125 | 3 | 1800 | 1-5/8" | 12.13" | M11578 |



| Item No. | Part Description | Part Number |
|----------|--------------------------------------|--------------|
| 1 | Case, Volute | H00811 |
| 2 | Impeller | See Table I |
| 7 | Ring, Wearing | S05973 |
| 11 | Retainer, Mechanical Shaft Seal | S15377 |
| 14 | Sleeve, Shaft | S07073 |
| 24 | Nut, Impeller | S07829 |
| 32 | Key, 3/8 x 2-1/4" (See Note) | S23940 |
| 71 | Bracket | See Table II |
| 73A | Gasket, Volute Case | S06271 |
| 73B | Gasket, Balance Ring | S09943 |
| 73C | Gasket, Seal Retainer | S16411 |
| 89 | Seal, Mechanical Shaft | S32016 |
| 115 | Ring, Balance | S14065 |
| 800A | Capscrew, 5/8 - 11 x 1-3/4" (8 Req.) | S27001 |
| 800B | Capscrew, 3/8 - 16 x 1-1/2" (4 Req.) | S26830 |
| 801A | Stud, 3/8 - 16 x 2-1/2" (2 Req.) | S04438 |
| 801B | Stud, 5/8 - 11 x 2-1/4" (12 Req.) | S24061 |
| 802A | Nut, Hex 3/8 - 16 (2 Req.) | S23343 |
| 802B | Nut, Hex 5/8 - 11 (12 Req.) | S23109 |
| 810 | Plug, Pipe 1/2 NPT (4 Req.) | S23717 |
| 820 | Connector, Comp. Fitting (2 Req.) | S24013 |
| 822 | Tubing, Copper | S20677 |
| • | Plug, Pipe 1/4 NPT (Not Illustrated) | S14692 |
| • | Plug, Pipe 1/8 NPT (Not Illustrated) | S23714 |

TABLE II

| HP | PH | Bracket No. | "AK" Fit | "U" Dim. | Motor Frame |
|-----|----|-------------|----------|----------|-------------|
| 100 | 3 | H03936 | 12-1/2" | 1-5/8" | 404TC |
| 125 | 3 | H03936 | 12-1/2" | 1-5/8" | 405TC |

NOTE: For an explanation of the tabulated material found on this page and for impeller key location, refer to *Supplement A* located at the beginning of this section.



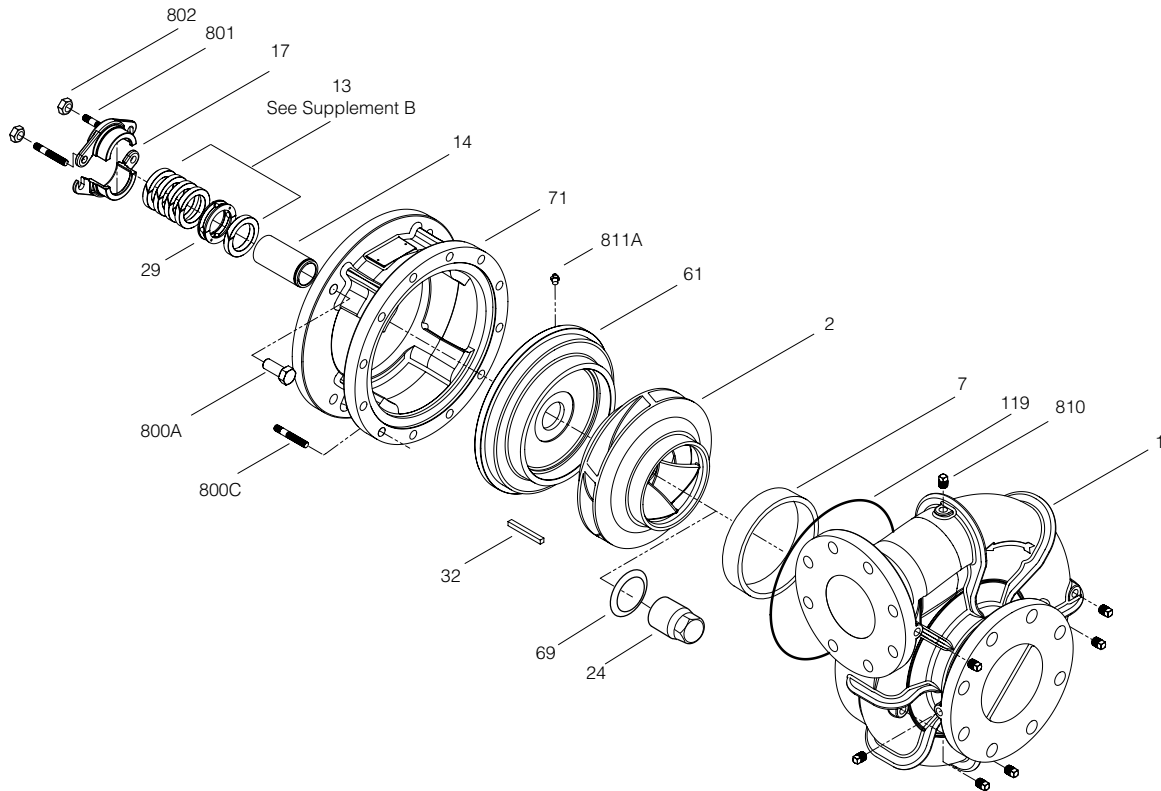
Type "B" Single Stage Centrifugal Pump Electric Motor Drive

| | |
|---------|--------------|
| Section | CC |
| Page | 422.1.1 |
| Date | June 1, 2011 |
| New | |

CAST IRON IMPELLERB8JPBH

Flanged Case

Packing Construction



| Ref | Part Description | Part Number |
|------|-------------------------------------|--------------|
| 1 | Case, Volute | M15104 |
| 2 | Impeller (Note 1) | See Table I |
| 7 | Ring, Wearing | M15126 |
| 13 | Rings, Packing (Set of 2) | S16448 |
| 14 | Sleeve, Shaft (Note 2) | S29517L |
| 17 | Gland, Packing (2 rqd) | M05311 |
| 24 | Locknut, Impeller | S07829 |
| 29 | Ring, Lantern | S14330 |
| 32 | Key, Impeller 1/2 x 2-3/8" 150HP | M15123 |
| 32A | Key, Impeller 3/8 x 2" 100 & 125HP | M15124 |
| 61 | Plate, Seal | M15111 |
| 69 | Washer, Impeller | M15232 |
| 71 | Bracket | See Table II |
| 119 | O-Ring | M15130 |
| 800A | Capscrew, 5/8 - 11 x 1-1/2" (8 rqd) | S28427 |
| 800C | Stud (12 rqd) | M15388 |
| 801 | Stud, 1/2 - 13 x 2-1/2" (2 rqd) | S24358 |
| * | Nut, Hex (12 rqd) | S23109 |
| 802 | Nut, Hex, Lock, 1/2 - 13 (2 rqd) | S23347 |

| Ref | Part Description | Part Number |
|------|--------------------|-------------|
| 810 | Plug, Pipe (7 rqd) | S23717 |
| 811A | Fitting, Grease | S23700 |
| * | Slinger, Water | M15129 |

* Not shown

Table I

| B/M No. | HP | PH | RPM | Imp. Dia. | Imp. No. |
|---------|-----|----|------|-----------|----------|
| B85772 | 100 | 3 | 1800 | 12.06" | M15646 |
| B85770 | 125 | | | 12.88" | M15191 |
| B85768 | 150 | | | 13.50" | M15106 |

Table II

| HP | PH | Bracket No. | "AK" Fit | "U" Dim. | Motor Frame |
|-----|----|-------------|----------|----------|-------------|
| 100 | 3 | M15114 | 12.5" | 1.625" | 404TCZ |
| 125 | | | 405TCZ | | |
| 150 | | M15113 | 16.0" | 2.1875" | 444TY |

NOTE 1: Impeller kit B85813 includes items 2, 24, 32, 69, 119. Impeller (Ref. 2) is full diameter.

NOTE 2: Shaft sleeve kit B85812 includes items 14, 24, 32, 69, 119, adhesive and instruction sheet.



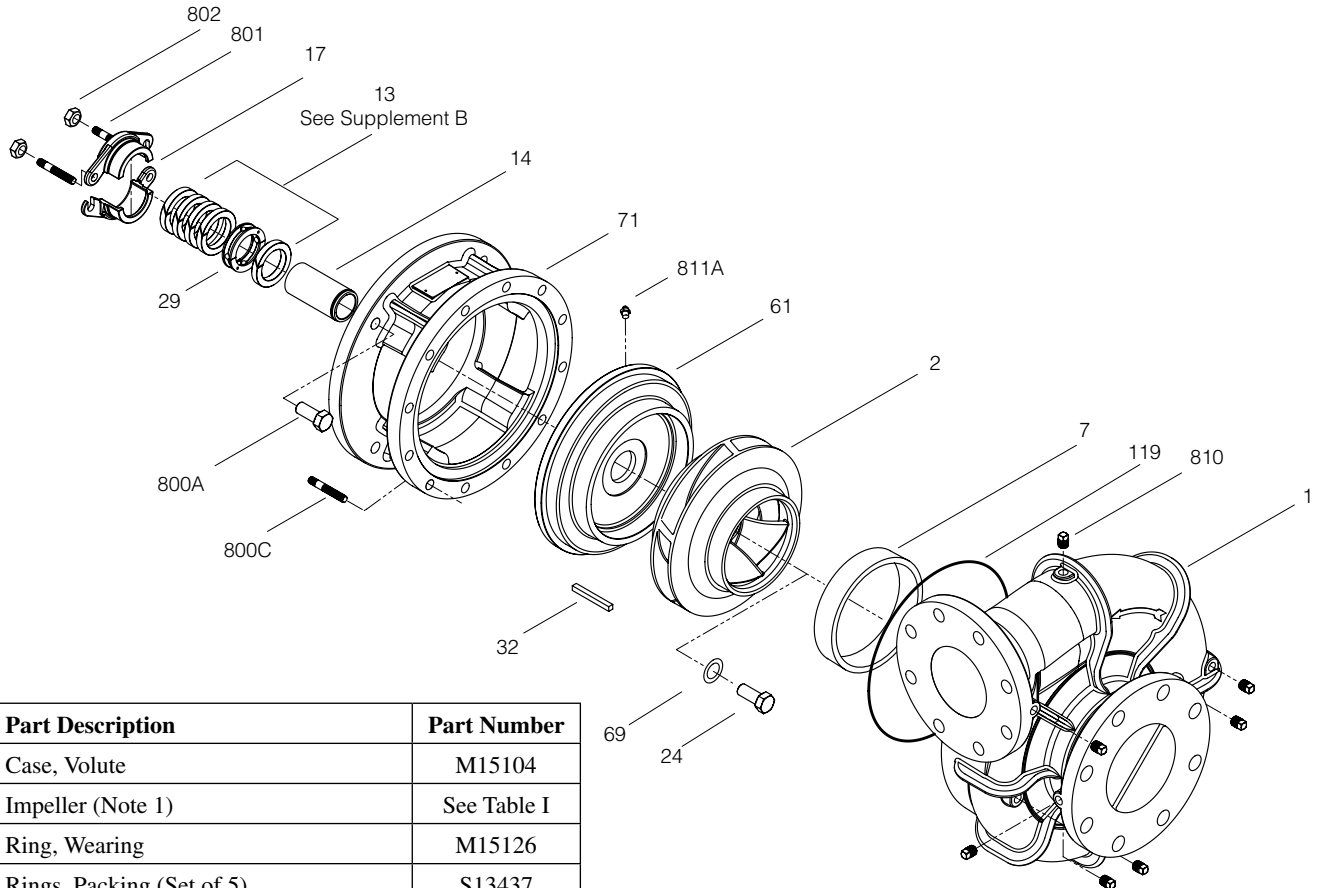
Type "B" Single Stage Centrifugal Pump Electric Motor Drive

| | |
|---------|--------------|
| Section | CC |
| Page | 422.1.2 |
| Date | June 1, 2011 |
| New | |

CAST IRON IMPELLERB8JPBH

Flanged Case

Packing Construction



| Ref | Part Description | Part Number |
|------|-------------------------------------|--------------|
| 1 | Case, Volute | M15104 |
| 2 | Impeller (Note 1) | See Table I |
| 7 | Ring, Wearing | M15126 |
| 13 | Rings, Packing (Set of 5) | S13437 |
| 14 | Sleeve, Shaft (Note 2) | M15120 |
| 17 | Gland, Packing (2 rqd) | M13598 |
| 24 | Capscrew, Impeller | S23623 |
| 29 | Ring, Lantern | S19198 |
| 32 | Key, Impeller 3/8 x 3/8 x 2" | M15124 |
| 61 | Plate, Seal | M15112 |
| 69 | Washer, Impeller | M15231 |
| 71 | Bracket | See Table II |
| 119 | O-Ring | M15130 |
| 800A | Capscrew, 5/8 - 11 x 1-1/2" (8 rqd) | S28427 |
| 800C | Stud (12 rqd) | M15388 |
| 801 | Stud, 3/8 - 16 x 2" (2 rqd) | S24335 |
| * | Nut, Hex (12 rqd) | S23109 |
| 802 | Nut, Hex, Lock, 3/8 - 16 (2 rqd) | S23343 |
| 810 | Plug, Pipe | S23717 |
| 811A | Fitting, Grease | S23700 |
| * | Slinger, Water | M15128 |

Table I

| B/M No. | HP | PH | RPM | Imp. Dia. | Imp. No. |
|---------|----|----|------|---------------|----------|
| B85776 | 60 | 3 | 1800 | 10.5" x 9.75" | M15648 |
| B85774 | 75 | | | 10.94" | M15647 |

Table II

| HP | PH | Bracket No. | "AK" Fit | "U" Dim. | Motor Frame |
|----|----|-------------|----------|----------|-------------|
| 60 | 3 | M15114 | 12.5" | 1.625" | 364JP |
| 75 | | | | | 365TCZ |

NOTE 1: Impeller kit B85823 includes items 2, 24, 32, 69, 119. Impeller (Ref. 2) is full diameter.

NOTE 2: Shaft sleeve kit B85815 includes items 14, 24, 32, 69, 119, adhesive and instruction sheet.

* Not shown



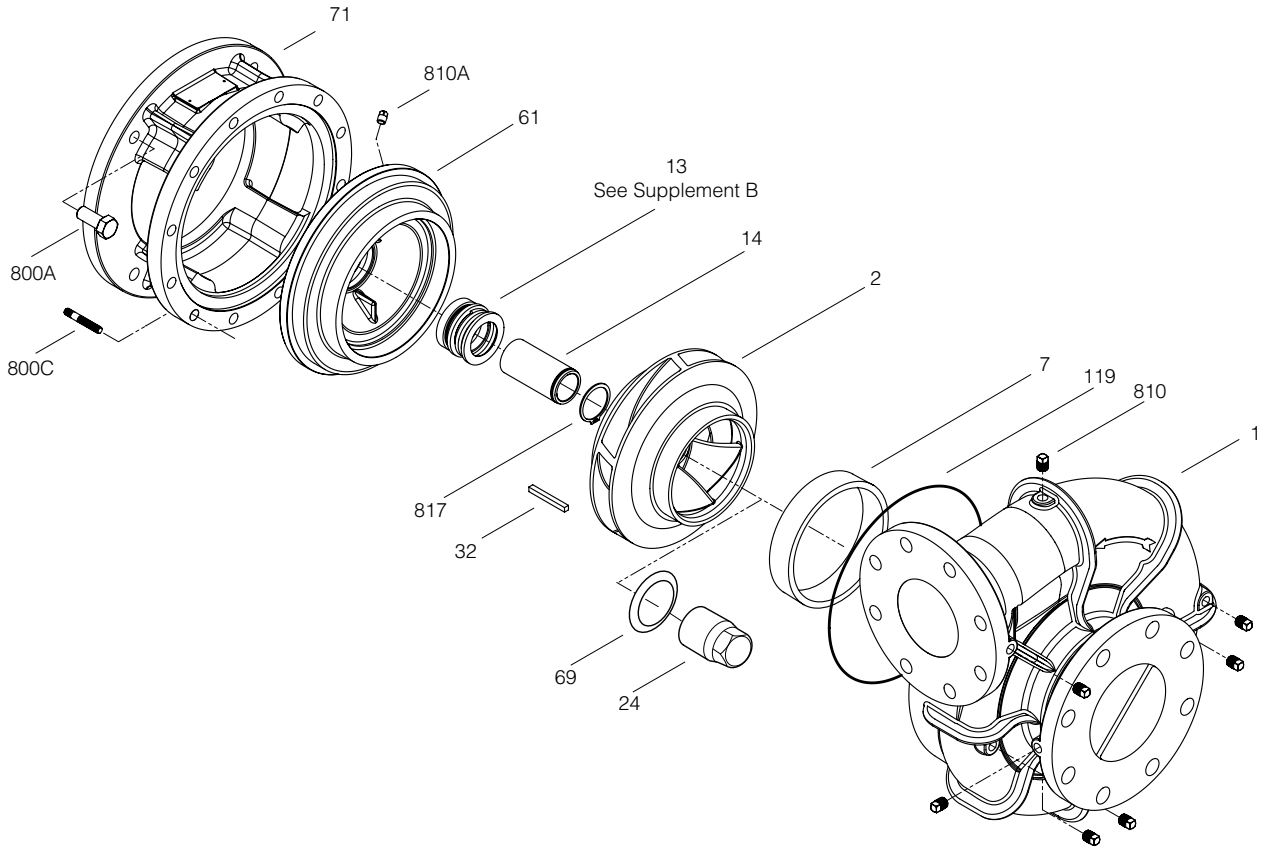
Type "B" Single Stage Centrifugal Pump Electric Motor Drive

| | |
|---------|--------------|
| Section | CC |
| Page | 422.2.1 |
| Date | June 1, 2011 |
| New | |

CAST IRON IMPELLERB8JPBHS

Flanged Case

Mechanical Shaft Seal Construction



| Ref | Part Description | Part Number |
|------|------------------------------------|--------------|
| 1 | Case, Volute | M15104 |
| 2 | Impeller (Note 1) | See Table I |
| 7 | Ring, Wearing | M15126 |
| 13 | Seal, Shaft | S32697 |
| 14 | Sleeve, Shaft (Note 2) | S29517L |
| 24 | Locknut, Impeller | S07829 |
| 32 | Key, Impeller 1/2 x 2-3/8" 150HP | M15123 |
| 32A | Key, Impeller 3/8 x 2" 100 & 125HP | M15124 |
| 61 | Plate, Seal | M15108 |
| 69 | Washer, Impeller | M15232 |
| 71 | Bracket | See Table II |
| 119 | O-Ring | M15130 |
| 800A | Screw, 5/8 - 11 x 1-3/4" (8 rqd.) | S28427 |
| 800C | Stud (12 rqd) | M15388 |
| * | Nut, Hex (12 rqd) | S23109 |
| 810 | Plug, Pipe 1/2 NPT (7 rqd) | S23717 |
| 810A | Plug, Pipe | S23714 |

| Ref | Part Description | Part Number |
|-----|------------------|-------------|
| 817 | Ring, Retaining | S29519 |
| * | Slinger, Water | M15129 |

* Not Shown

Table I

| B/M No. | HP | PH | RPM | Imp. Dia. | Imp. No. |
|---------|-----|----|------|-----------|----------|
| B85773 | 100 | 3 | 1800 | 12.06" | M15646 |
| B85771 | 125 | | | 12.88" | M15191 |
| B85769 | 150 | | | 13.50" | M15106 |

Table II

| HP | PH | Bracket No. | "AK" Fit | "U" Dim. | Motor Frame |
|-----|----|-------------|----------|----------|-------------|
| 100 | 3 | M15114 | 12.5" | 1.625" | 404TCZ |
| 125 | | | | | 405TCZ |
| 150 | 3 | M15113 | 16.0" | 2.1875" | 444TCY |

NOTE 1: Impeller kit B85813 includes items 2, 24, 32, 69, 119. Impeller (Ref. 2) is full diameter.

NOTE 2: Shaft sleeve kit B85812 includes items 14, 24, 32, 69, 119, adhesive and instruction sheet.



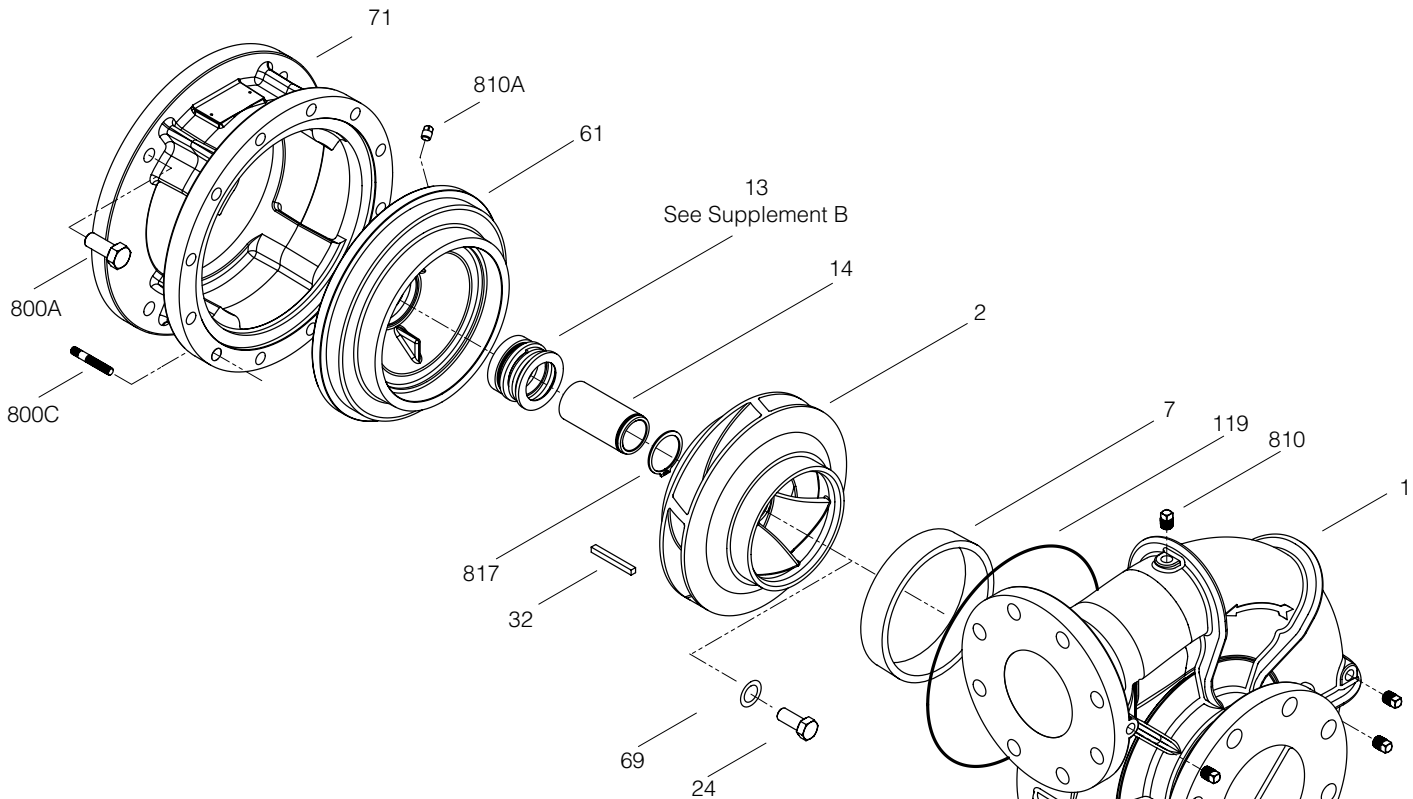
Type "B" Single Stage Centrifugal Pump Electric Motor Drive

| | |
|---------|--------------|
| Section | CC |
| Page | 422.2.2 |
| Date | June 1, 2011 |
| New | |

CAST IRON IMPELLERB8JPBHS

Flanged Case

Mechanical Shaft Seal Construction



| Ref | Part Description | Part Number |
|------|---------------------------------------|--------------|
| 1 | Case, Volute | M15104 |
| 2 | Impeller (Note 1) | See Table I |
| 7 | Ring, Wearing | M15126 |
| 13 | Seal, Shaft | S32016 |
| 14 | Sleeve, Shaft (Note 2) | M15120 |
| 24 | Capscrew, Impeller | S23623 |
| 32 | Key, 3/8 x 2-3/8" | M15124 |
| 61 | Plate, Seal | M15109 |
| 69 | Washer, Impeller | M15231 |
| 71 | Bracket | See Table II |
| 119 | O-Ring | M15130 |
| 800A | Capscrew, 5/8 - 11 x 1-1/2" (8 reqd.) | S28427 |
| 800C | Stud (12 reqd) | M15388 |
| * | Nut, Hex (12 reqd) | S23109 |
| 810 | Plug, Pipe 1/2 NPT | S23717 |
| 810A | Plug, Pipe | S23714 |
| 817 | Ring, Retaining | M15131 |
| * | Slinger, Water | M15128 |

* Not Shown

Table I

| B/M No. | HP | PH | RPM | Imp. Dia. | Imp. No. |
|---------|----|----|------|---------------|----------|
| B85777 | 60 | 3 | 1800 | 10.5" x 9.75" | M15648 |
| B85775 | 75 | | | 10.94" | M15647 |

Table II

| HP | PH | Bracket No. | "AK" Fit | "U" Dim. | Motor Frame |
|----|----|-------------|----------|----------|-------------|
| 60 | 3 | M15114 | 12.5" | 1.625" | 364JP |
| 75 | | | | | 365TCZ |

NOTE 1: Impeller kit B85823 includes items 2, 24, 32, 69, 119. Impeller (Ref. 2) is full diameter.

NOTE 2: Shaft sleeve kit B85815 includes items 14, 24, 32, 69, 119, adhesive and instruction sheet.



TYPE "B" SINGLE STAGE CENTRIFUGAL PUMP Electric Motor Drive

| | |
|-------------------|-----------------|
| Section | CC |
| Page | 430.1 |
| Date | January 1, 2004 |
| Supersedes 6/1/95 | |

CAST IRON IMPELLER

B10GPBM

Flanged Case

Packing Construction

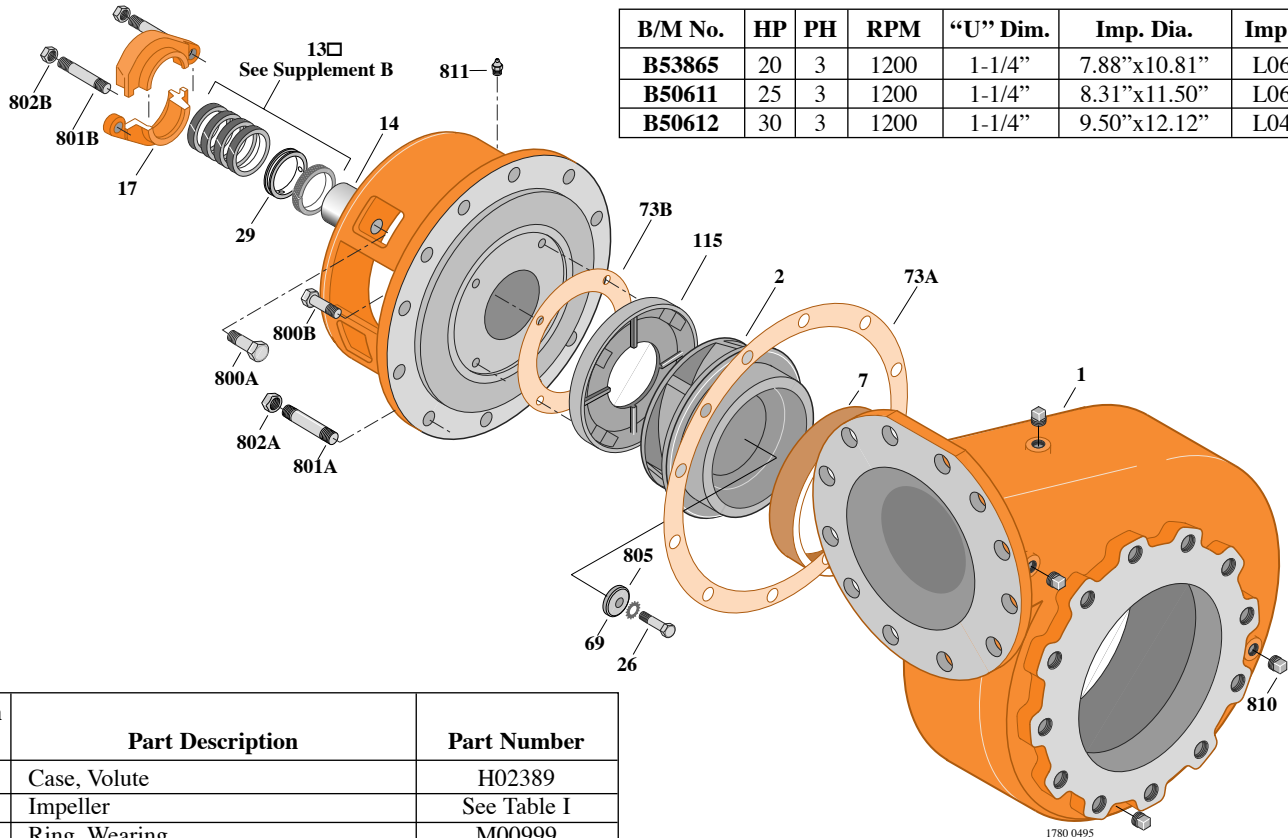


TABLE I

| B/M No. | HP | PH | RPM | "U" Dim. | Imp. Dia. | Imp. No. |
|---------------|----|----|------|----------|--------------|----------|
| B53865 | 20 | 3 | 1200 | 1-1/4" | 7.88"x10.81" | L06204 |
| B50611 | 25 | 3 | 1200 | 1-1/4" | 8.31"x11.50" | L06203 |
| B50612 | 30 | 3 | 1200 | 1-1/4" | 9.50"x12.12" | L04240 |

| Item No. | Part Description | Part Number |
|----------|--------------------------------------|--------------|
| 1 | Case, Volute | H02389 |
| 2 | Impeller | See Table I |
| 7 | Ring, Wearing | M00999 |
| 13 | Rings, Packing (Set of 4) | S13435 |
| 14 | Sleeve, Shaft | S05149 |
| 17 | Gland, Packing | B82470 |
| 26 | Screw, Impeller 1/2 - 13 x 2-1/2" | S23629 |
| 29 | Ring, Lantern | S19200 |
| 32 | Key, 1/4 x 2-1/4" (See Note) | S23677 |
| 69 | Washer, Impeller | S06319 |
| 71 | Bracket | See Table II |
| 73A | Gasket, Volute Case | S06271 |
| 73B | Gasket, Balance Ring | S09943 |
| 115 | Ring, Balance | S14065 |
| 800A | Capscrew, 5/8 - 11 x 1-1/2" (4 Req.) | S26999 |
| 800B | Capscrew, 3/8 - 16 x 1-1/2" (4 Req.) | S26830 |
| 801A | Stud, 5/8 - 11 x 2-1/4" (12 Req.) | S24061 |
| 801B | Stud, 3/8 - 16 x 2-1/2" (2 Req.) | S04438 |
| 802A | Nut, Hex 5/8 - 11 (12 Req.) | S23109 |
| 802B | Nut, Hex 3/8 - 16 (2 Req.) | S23343 |
| 805 | Washer, Lock | S23038 |
| 810 | Plug, Pipe 1/2 NPT (4 Req.) | S23717 |
| 811 | Fitting, Grease | S23700 |
| 812 | Elbow, Street | S25421 |

TABLE II

| HP | PH | Bracket No. | "AK" Fit | "U" Dim. | Motor Frame |
|----|----|-------------|----------|----------|-------------|
| 20 | 3 | H01601 | 12-1/2" | 1-1/4" | 286JP |
| 25 | 3 | H01601 | 12-1/2" | 1-1/4" | 324JP |
| 30 | 3 | H01601 | 12-1/2" | 1-1/4" | 326JP |

NOTE: For an explanation of the tabulated material found on this page and for impeller key location, refer to *Supplement A* located at the beginning of this section.



TYPE "B" SINGLE STAGE CENTRIFUGAL PUMP Electric Motor Drive

| | |
|-------------------|-----------------|
| Section | CC |
| Page | 430.2 |
| Date | January 1, 2004 |
| Supersedes 6/1/95 | |

CAST IRON IMPELLER

B10GPBM

Flanged Case

Packing Construction

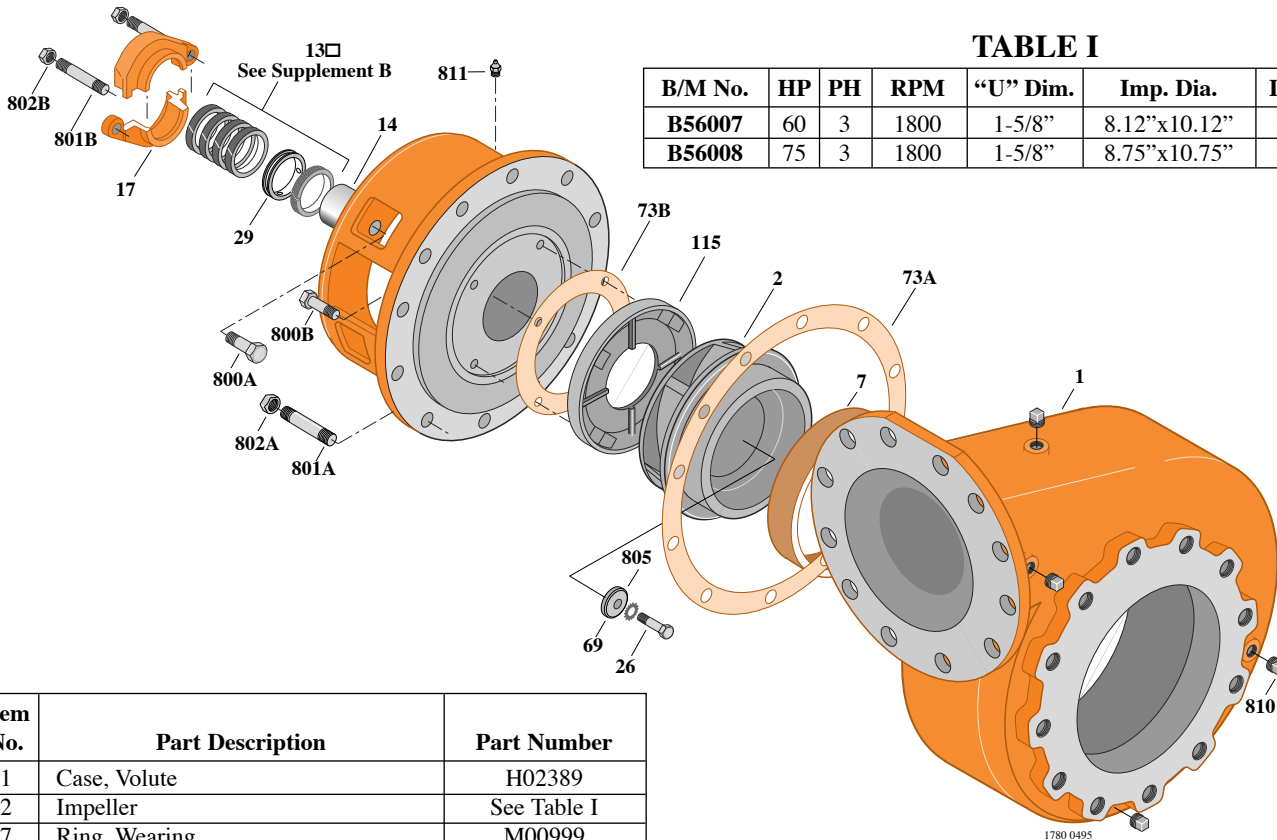


TABLE I

| B/M No. | HP | PH | RPM | "U" Dim. | Imp. Dia. | Imp. No. |
|---------|----|----|------|----------|--------------|----------|
| B56007 | 60 | 3 | 1800 | 1-5/8" | 8.12"x10.12" | L06205 |
| B56008 | 75 | 3 | 1800 | 1-5/8" | 8.75"x10.75" | L06206 |

| Item No. | Part Description | Part Number |
|----------|---|--------------|
| 1 | Case, Volute | H02389 |
| 2 | Impeller | See Table I |
| 7 | Ring, Wearing | M00999 |
| 13 | Rings, Packing (Set of 4) | S13437 |
| 14 | Sleeve, Shaft | S07073 |
| 17 | Gland, Packing | B82471 |
| 26 | Screw, Impeller 1/2 - 13 x 2-1/2" | S23621 |
| 29 | Ring, Lantern | S19198 |
| 32 | Key, 1/4 x 2-1/4" (See Note) | S23677 |
| 69 | Washer, Impeller | S34492 |
| 71 | Bracket | See Table II |
| 73A | Gasket, Volute Case | S06271 |
| 73B | Gasket, Balance Ring | S09943 |
| 115 | Ring, Balance | S14065 |
| 800A | Capscrew, 5/8 - 11 x 1-3/4" (4 Req.) | S27001 |
| 800B | Capscrew, 3/8 - 16 x 1-1/2" (4 Req.) | S26830 |
| 801A | Stud, 5/8 - 11 x 2" (12 Req.) | S24060 |
| 801B | Stud, 3/8 - 16 x 2-1/2" (2 Req.) | S04438 |
| 802A | Nut, Hex 5/8 - 11 (12 Req.) | S23109 |
| 802B | Nut, Hex 3/8 - 16 (2 Req.) | S23343 |
| 805 | Washer, Lock | S23038 |
| 810 | Plug, Pipe 1/2 NPT (5 Req.) | S23717 |
| 811 | Fitting, Grease | S23700 |
| 812 | Elbow, Street | S25421 |
| • | Plug, Pipe 1/4 NPT (2 Req.) (Not Illustrated) | S23715 |

TABLE II

| HP | PH | Bracket No. | "AK" Fit | "U" Dim. | Motor Frame |
|----|----|-------------|----------|----------|-------------|
| 60 | 3 | H03622 | 12-1/2" | 1-5/8" | 364JP |
| 75 | 3 | H03622 | 12-1/2" | 1-5/8" | 365JP |

NOTE: For an explanation of the tabulated material found on this page and for impeller key location, refer to *Supplement A* located at the beginning of this section.



TYPE "B" SINGLE STAGE CENTRIFUGAL PUMP Electric Motor Drive

| | |
|-------------------|-----------------|
| Section | CC |
| Page | 430.3 |
| Date | January 1, 2004 |
| Supersedes 6/1/95 | |

CAST IRON IMPELLER

B10GPBM

Flanged Case

Packing Construction

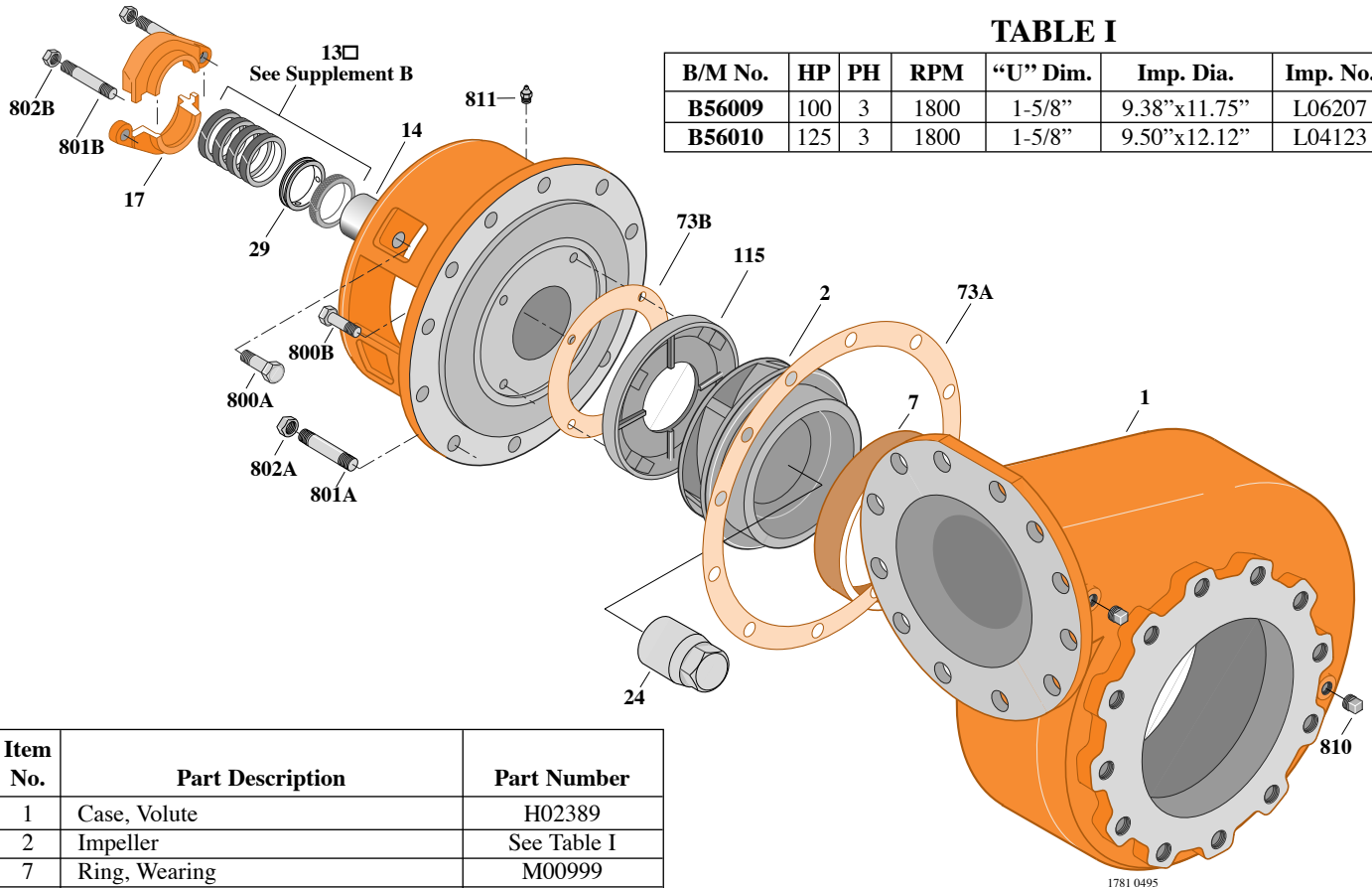


TABLE I

| B/M No. | HP | PH | RPM | "U" Dim. | Imp. Dia. | Imp. No. |
|---------------|-----|----|------|----------|--------------|----------|
| B56009 | 100 | 3 | 1800 | 1-5/8" | 9.38"x11.75" | L06207 |
| B56010 | 125 | 3 | 1800 | 1-5/8" | 9.50"x12.12" | L04123 |

| Item No. | Part Description | Part Number |
|----------|---|--------------|
| 1 | Case, Volute | H02389 |
| 2 | Impeller | See Table I |
| 7 | Ring, Wearing | M00999 |
| 13 | Rings, Packing (Set of 4) | S13437 |
| 14 | Sleeve, Shaft | S07073 |
| 17 | Gland, Packing | B82471 |
| 24 | Nut, Impeller | S07829 |
| 29 | Ring, Lantern | S19198 |
| 32 | Key, 3/8 x 2-1/4" (See Note) | S23940 |
| 71 | Bracket | See Table II |
| 73A | Gasket, Volute Case | S06271 |
| 73B | Gasket, Balance Ring | S09943 |
| 115 | Ring, Balance | S14065 |
| 800A | Capscrew, 5/8 - 11 x 1-3/4" (4 Req.) | S27001 |
| 800B | Capscrew, 3/8 - 16 x 1-1/2" (4 Req.) | S26830 |
| 801A | Stud, 5/8 - 11 x 2" (12 Req.) | S24060 |
| 801B | Stud, 3/8 - 16 x 2-1/2" (2 Req.) | S04438 |
| 802A | Nut, Hex 5/8 - 11 (12 Req.) | S23109 |
| 802B | Nut, Hex 3/8 - 16 (2 Req.) | S23343 |
| 810 | Plug, Pipe 1/2 NPT (5 Req.) | S23717 |
| 811 | Fitting, Grease | S23700 |
| 812 | Elbow, Street | S25421 |
| • | Plug, Pipe 1/4 NPT (2 Req.) (Not Illustrated) | S23715 |

TABLE II

| HP | PH | Bracket No. | "AK" Fit | "U" Dim. | Motor Frame |
|-----|----|-------------|----------|----------|-------------|
| 100 | 3 | H03622 | 12-1/2" | 1-5/8" | 404TC |
| 125 | 3 | H03622 | 12-1/2" | 1-5/8" | 405TC |

NOTE: For an explanation of the tabulated material found on this page and for impeller key location, refer to *Supplement A* located at the beginning of this section.



TYPE "B" SINGLE STAGE CENTRIFUGAL PUMP Electric Motor Drive

| | |
|-------------------|-----------------|
| Section | CC |
| Page | 430.4 |
| Date | January 1, 2004 |
| Supersedes 6/1/95 | |

CAST IRON IMPELLER

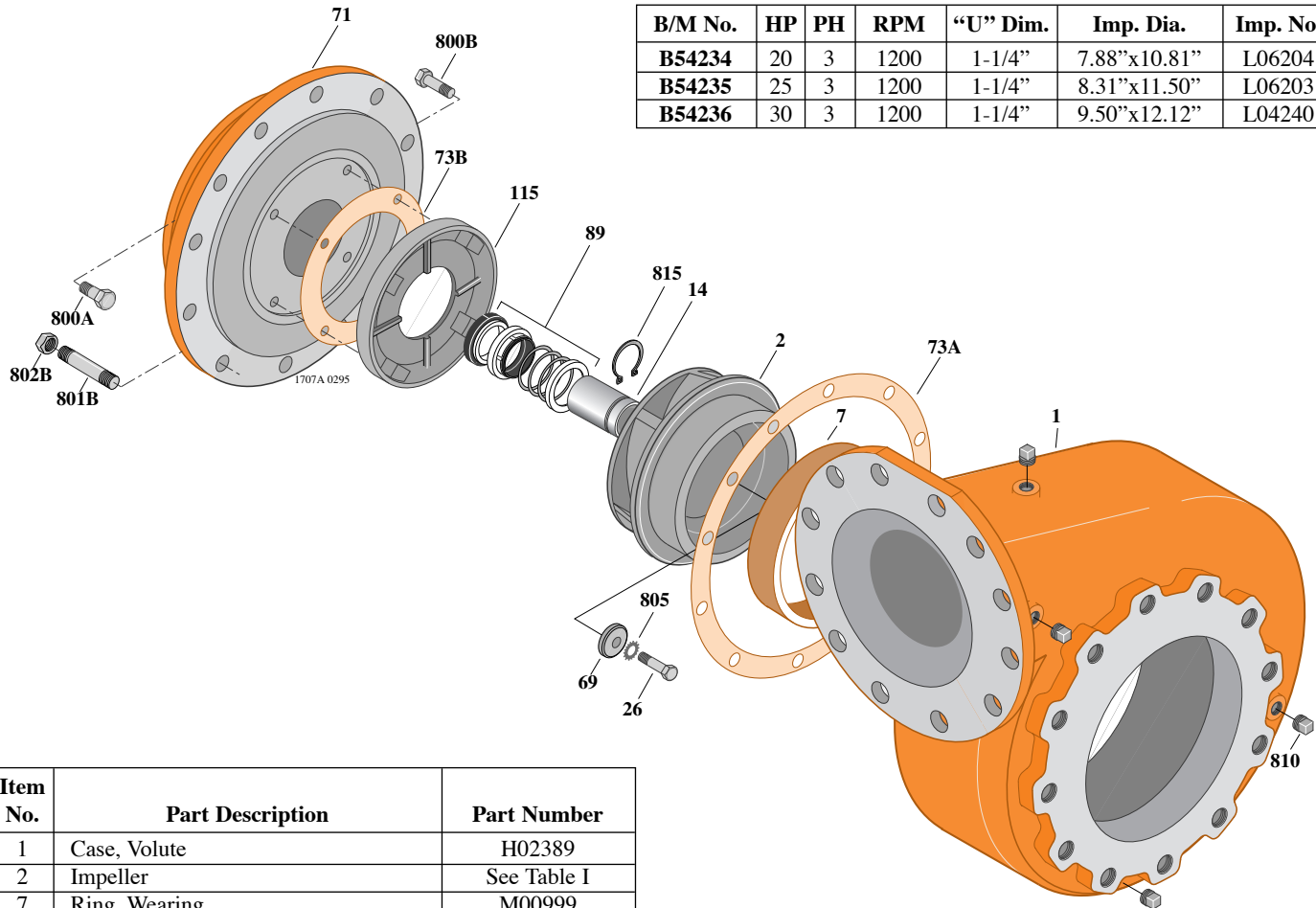
B10GPBMS

Flanged Case

Mechanical Shaft Seal Construction

TABLE I

| B/M No. | HP | PH | RPM | "U" Dim. | Imp. Dia. | Imp. No. |
|---------------|----|----|------|----------|--------------|----------|
| B54234 | 20 | 3 | 1200 | 1-1/4" | 7.88"x10.81" | L06204 |
| B54235 | 25 | 3 | 1200 | 1-1/4" | 8.31"x11.50" | L06203 |
| B54236 | 30 | 3 | 1200 | 1-1/4" | 9.50"x12.12" | L04240 |



| Item No. | Part Description | Part Number |
|----------|--------------------------------------|--------------|
| 1 | Case, Volute | H02389 |
| 2 | Impeller | See Table I |
| 7 | Ring, Wearing | M00999 |
| 14 | Sleeve, Shaft | S18869 |
| 26 | Screw, Impeller 1/2 - 13 x 2-1/2" | S23629 |
| 32 | Key, 1/4 x 2-1/4" (See Note) | S23677 |
| 69 | Washer, Impeller | S06319 |
| 71 | Bracket | See Table II |
| 73A | Gasket, Volute Case | S06271 |
| 73B | Gasket, Balance Ring | S09943 |
| 89 | Seal, Mechanical Shaft | S32015 |
| 115 | Ring, Balance | S19073 |
| 800A | Capscrew, 5/8 - 11 x 1-1/2" (4 Req.) | S26999 |
| 800B | Capscrew, 3/8 - 16 x 1" (4 Req.) | S26826 |
| 801 | Stud, 5/8 - 11 x 2-1/4" (12 Req.) | S24061 |
| 802 | Nut, Hex 5/8 - 11 (12 Req.) | S23109 |
| 805 | Washer, Lock | S23038 |
| 810 | Plug, Pipe 1/2 NPT (4 Req.) | S23717 |
| 815 | Ring, Retaining | S16767 |
| • | Ring Spacer (Not Illustrated) | S19349 |

TABLE II

| HP | PH | Bracket No. | "AK" Fit | "U" Dim. | Motor Frame |
|----|----|-------------|----------|----------|-------------|
| 20 | 3 | H03301 | 12-1/2" | 1-1/4" | 286JM |
| 25 | 3 | H03301 | 12-1/2" | 1-1/4" | 324JM |
| 30 | 3 | H03301 | 12-1/2" | 1-1/4" | 326JM |

NOTE: For an explanation of the tabulated material found on this page and for impeller key location, refer to *Supplement A* located at the beginning of this section.



TYPE "B" SINGLE STAGE CENTRIFUGAL PUMP Electric Motor Drive

| | |
|-------------------|-----------------|
| Section | CC |
| Page | 430.5 |
| Date | January 1, 2004 |
| Supersedes 6/1/95 | |

CAST IRON IMPELLER

B10GPBMS

Flanged Case

Mechanical Shaft Seal Construction

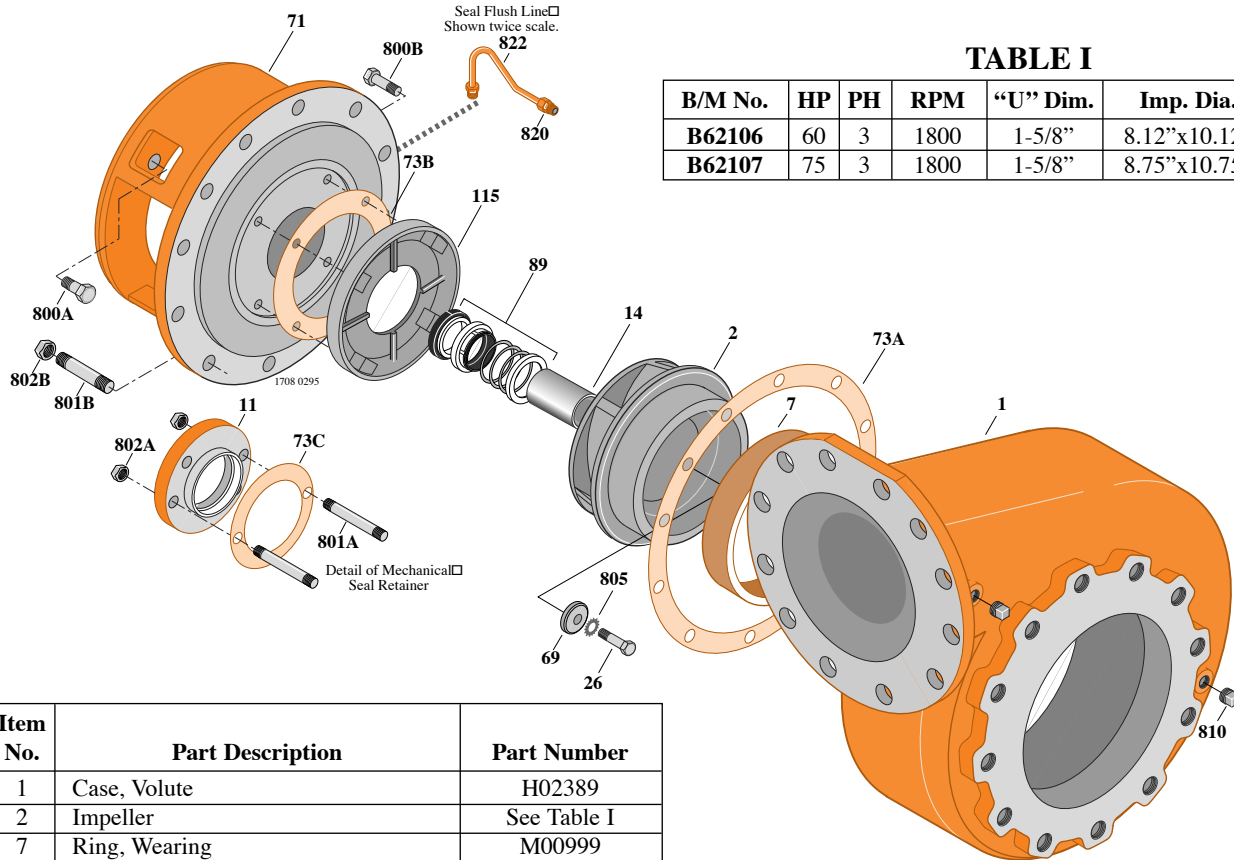


TABLE I

| B/M No. | HP | PH | RPM | "U" Dim. | Imp. Dia. | Imp. No. |
|---------|----|----|------|----------|--------------|----------|
| B62106 | 60 | 3 | 1800 | 1-5/8" | 8.12"x10.12" | L06205 |
| B62107 | 75 | 3 | 1800 | 1-5/8" | 8.75"x10.75" | L06206 |

| Item No. | Part Description | Part Number |
|----------|--------------------------------------|--------------|
| 1 | Case, Volute | H02389 |
| 2 | Impeller | See Table I |
| 7 | Ring, Wearing | M00999 |
| 11 | Retainer, Mechanical Shaft Seal | S15377 |
| 14 | Sleeve, Shaft | S07073 |
| 26 | Screw, Impeller 1/2 - 13 x 1-1/4" | S23621 |
| 32 | Key, 1/4 x 2-1/4" (See Note) | S23677 |
| 69 | Washer, Impeller | S34492 |
| 71 | Bracket | See Table II |
| 73A | Gasket, Volute Case | S06271 |
| 73B | Gasket, Balance Ring | S09943 |
| 73C | Gasket, Seal Retainer | S16411 |
| 89 | Seal, Mechanical Shaft | S32016 |
| 115 | Ring, Balance | S14065 |
| 800A | Capscrew, 5/8 - 11 x 1-3/4" (4 Req.) | S27001 |
| 800B | Capscrew, 3/8 - 16 x 1-1/2" (4 Req.) | S26830 |
| 801A | Stud, 3/8 - 16 x 2-1/2" (2 Req.) | S04438 |
| 801B | Stud, 5/8 - 11 x 2" (12 Req.) | S24060 |
| 802A | Nut, Hex 3/8 - 16 (2 Req.) | S23343 |
| 802B | Nut, Hex 5/8 - 11 (12 Req.) | S23109 |
| 805 | Washer, Lock | S23038 |
| 810 | Plug, Pipe 1/2 NPT (5 Req.) | S23717 |
| 820 | Connector, Comp. Fitting (2 Req.) | S24013 |
| 822 | Tubing, Copper | S20677 |
| • | Plug, Pipe 1/8 NPT (Not Illustrated) | S23714 |
| • | Plug, Pipe 1/4 NPT (Not Illustrated) | S19349 |

TABLE II

| HP | PH | Bracket No. | "AK" Fit | "U" Dim. | Motor Frame |
|----|----|-------------|----------|----------|-------------|
| 60 | 3 | H03936 | 12-1/2" | 1-5/8" | 364JP |
| 75 | 3 | H03936 | 12-1/2" | 1-5/8" | 365JP |

NOTE: For an explanation of the tabulated material found on this page and for impeller key location, refer to *Supplement A* located at the beginning of this section.



TYPE "B" SINGLE STAGE CENTRIFUGAL PUMP Electric Motor Drive

| | |
|-------------------|-----------------|
| Section | CC |
| Page | 430.6 |
| Date | January 1, 2004 |
| Supersedes 6/1/95 | |

CAST IRON IMPELLER

B10GPBMS

Flanged Case

Mechanical Shaft Seal Construction

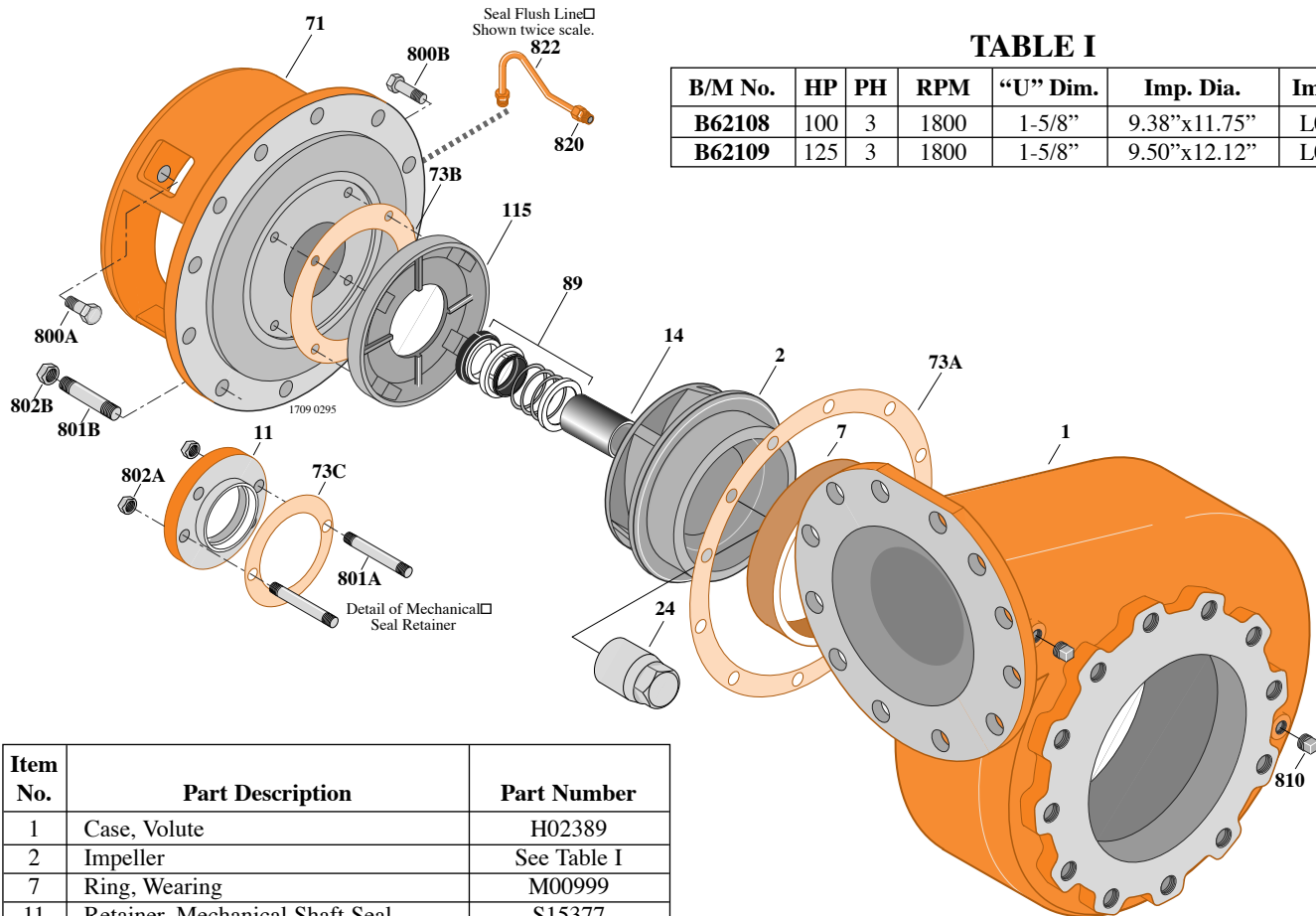


TABLE I

| B/M No. | HP | PH | RPM | "U" Dim. | Imp. Dia. | Imp. No. |
|---------|-----|----|------|----------|--------------|----------|
| B62108 | 100 | 3 | 1800 | 1-5/8" | 9.38"x11.75" | L06207 |
| B62109 | 125 | 3 | 1800 | 1-5/8" | 9.50"x12.12" | L04123 |

| Item No. | Part Description | Part Number |
|----------|--------------------------------------|--------------|
| 1 | Case, Volute | H02389 |
| 2 | Impeller | See Table I |
| 7 | Ring, Wearing | M00999 |
| 11 | Retainer, Mechanical Shaft Seal | S15377 |
| 14 | Sleeve, Shaft | S07073 |
| 24 | Nut, Impeller | S07829 |
| 32 | Key, 3/8 x 2-1/4" (See Note) | S23940 |
| 71 | Bracket | See Table II |
| 73A | Gasket, Volute Case | S06271 |
| 73B | Gasket, Balance Ring | S09943 |
| 73C | Gasket, Seal Retainer | S16411 |
| 89 | Seal, Mechanical Shaft | S32016 |
| 115 | Ring, Balance | S14065 |
| 800A | Capscrew, 5/8 - 11 x 1-3/4" (4 Req.) | S27001 |
| 800B | Capscrew, 3/8 - 16 x 1-1/2" (4 Req.) | S26830 |
| 801A | Stud, 3/8 - 16 x 2-1/2" (2 Req.) | S04438 |
| 801B | Stud, 5/8 - 11 x 2" (12 Req.) | S24060 |
| 802A | Nut, Hex 3/8 - 16 (2 Req.) | S23343 |
| 802B | Nut, Hex 5/8 - 11 (12 Req.) | S23109 |
| 810 | Plug, Pipe 1/2 NPT (5 Req.) | S23717 |
| 820 | Connector, Comp. Fitting (2 Req.) | S24013 |
| 822 | Tubing, Copper | S20677 |
| • | Plug, Pipe 1/8 NPT (Not Illustrated) | S23714 |
| • | Plug, Pipe 1/4 NPT (Not Illustrated) | S19349 |

TABLE II

| HP | PH | Bracket No. | "AK" Fit | "U" Dim. | Motor Frame |
|-----|----|-------------|----------|----------|-------------|
| 100 | 3 | H03936 | 12-1/2" | 1-5/8" | 404TC |
| 125 | 3 | H03936 | 12-1/2" | 1-5/8" | 405TC |

NOTE: For an explanation of the tabulated material found on this page and for impeller key location, refer to *Supplement A* located at the beginning of this section.



TYPE "B" SINGLE STAGE CENTRIFUGAL PUMP Electric Motor Drive

| | |
|-------------------|-----------------|
| Section | CC |
| Page | 430.7 |
| Date | January 1, 2004 |
| Supersedes 9/1/97 | |

CAST IRON IMPELLER

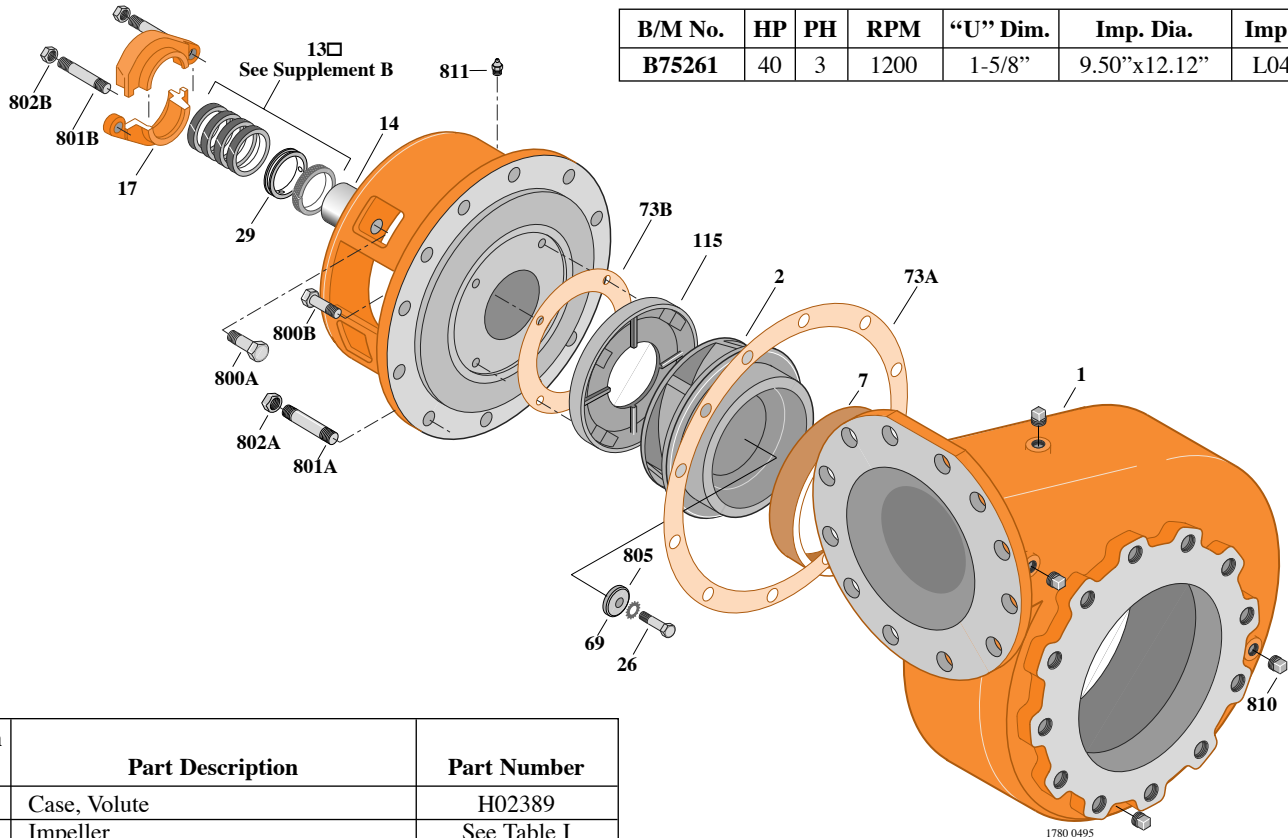
B10GPBM

Flanged Case

Packing Construction

TABLE I

| B/M No. | HP | PH | RPM | "U" Dim. | Imp. Dia. | Imp. No. |
|---------------|----|----|------|----------|--------------|----------|
| B75261 | 40 | 3 | 1200 | 1-5/8" | 9.50"x12.12" | L04123 |



| Item No. | Part Description | Part Number |
|----------|--------------------------------------|--------------|
| 1 | Case, Volute | H02389 |
| 2 | Impeller | See Table I |
| 7 | Ring, Wearing | M00999 |
| 13 | Rings, Packing (Set of 4) | S13437 |
| 14 | Sleeve, Shaft | S07073 |
| 17 | Gland, Packing | B82471 |
| 26 | Screw, Impeller 1/2 - 13 x 1-1/4" | S23621 |
| 29 | Ring, Lantern | S19198 |
| 32 | Key, 3/8 x 2-1/4" (See Note) | S23940 |
| 69 | Washer, Impeller | S34492 |
| 71 | Bracket | See Table II |
| 73A | Gasket, Volute Case | S06271 |
| 73B | Gasket, Balance Ring | S09943 |
| 115 | Ring, Balance | S14065 |
| 800A | Capscrew, 5/8 - 11 x 1-3/4" (4 Req.) | S27001 |
| 800B | Capscrew, 3/8 - 16 x 1-1/2" (4 Req.) | S26830 |
| 801A | Stud, 5/8 - 11 x 2" (12 Req.) | S24060 |
| 801B | Stud, 3/8 - 16 x 2-1/2" (2 Req.) | S04438 |
| 802A | Nut, Hex 5/8 - 11 (12 Req.) | S23109 |
| 802B | Nut, Hex 3/8 - 16 (2 Req.) | S23343 |
| 805 | Washer, Lock | S23038 |
| 810 | Plug, Pipe 1/2" NPT (5 Req.) | S23717 |
| 811 | Fitting, Grease | S23700 |

TABLE II

| HP | PH | Bracket No. | "AK" Fit | "U" Dim. | Motor Frame |
|----|----|-------------|----------|----------|-------------|
| 40 | 3 | H03622 | 12-1/2" | 1-5/8" | 364TCZ |

NOTE: For an explanation of the tabulated material found on this page and for impeller key location, refer to *Supplement A* located at the beginning of this section.



TYPE "B" SINGLE STAGE CENTRIFUGAL PUMP Electric Motor Drive

| | |
|-------------------|-----------------|
| Section | CC |
| Page | 430.8 |
| Date | January 1, 2004 |
| Supersedes 9/1/97 | |

CAST IRON IMPELLER

B10GPBMS

Flanged Case

Mechanical Shaft Seal Construction

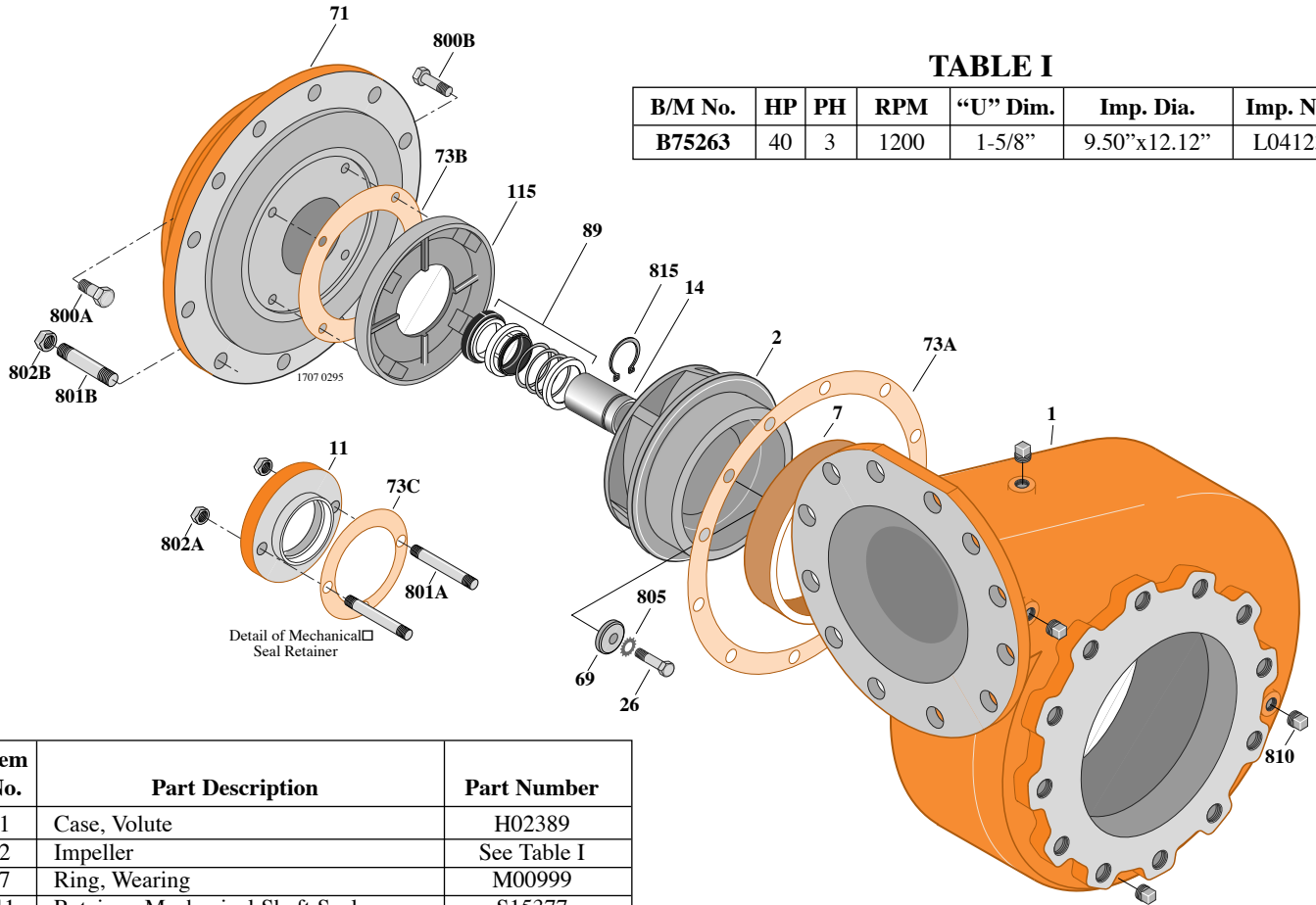


TABLE I

| B/M No. | HP | PH | RPM | "U" Dim. | Imp. Dia. | Imp. No. |
|---------|----|----|------|----------|--------------|----------|
| B75263 | 40 | 3 | 1200 | 1-5/8" | 9.50"x12.12" | L04123 |

| Item No. | Part Description | Part Number |
|----------|---|--------------|
| 1 | Case, Volute | H02389 |
| 2 | Impeller | See Table I |
| 7 | Ring, Wearing | M00999 |
| 11 | Retainer, Mechanical Shaft Seal | S15377 |
| 14 | Sleeve, Shaft | S07073 |
| 26 | Screw, Impeller 1/2 - 13 x 1-1/4" | S23621 |
| 32 | Key, 3/8 x 2-1/4" (See Note) | S23490 |
| 69 | Washer, Impeller | S34492 |
| 71 | Bracket | See Table II |
| 73A | Gasket, Volute Case | S06271 |
| 73B | Gasket, Balance Ring | S09943 |
| 73C | Gasket, Mechanical Shaft Seal Retainer | S15078 |
| 89 | Seal, Mechanical Shaft | S32016 |
| 115 | Ring, Balance | S14065 |
| 800A | Capscrew, 5/8 - 11 x 1-3/4" (4 Req.) | S27001 |
| 800B | Capscrew, 3/8 - 16 x 1-1/2" (4 Req.) | S26830 |
| 801A | Stud, 3/8 - 16 x 2-1/2" (2 Req.) | S04438 |
| 801B | Stud, 5/8 - 11 x 2" (12 Req.) | S24060 |
| 802A | Nut, Hex 3/8 - 16 (2 Req.) | S23343 |
| 802B | Nut, Hex 5/8 - 11 (12 Req.) | S23109 |
| 805 | Washer, Lock | S23038 |
| 810 | Plug, Pipe 1/2" NPT (5 Req.) | S23717 |
| • | Plug, Pipe 1/8" NPT(In Bracket)(2 Req.) | S23714 |

TABLE II

| HP | PH | Bracket No. | "AK" Fit | "U" Dim. | Motor Frame |
|----|----|-------------|----------|----------|-------------|
| 40 | 3 | H03936 | 12-1/2" | 1-5/8" | 364JMZ |

NOTE: For an explanation of the tabulated material found on this page and for impeller key location, refer to *Supplement A* located at the beginning of this section.

NOTE: For seal flush line details, see *Supplement D*.

• Not illustrated.



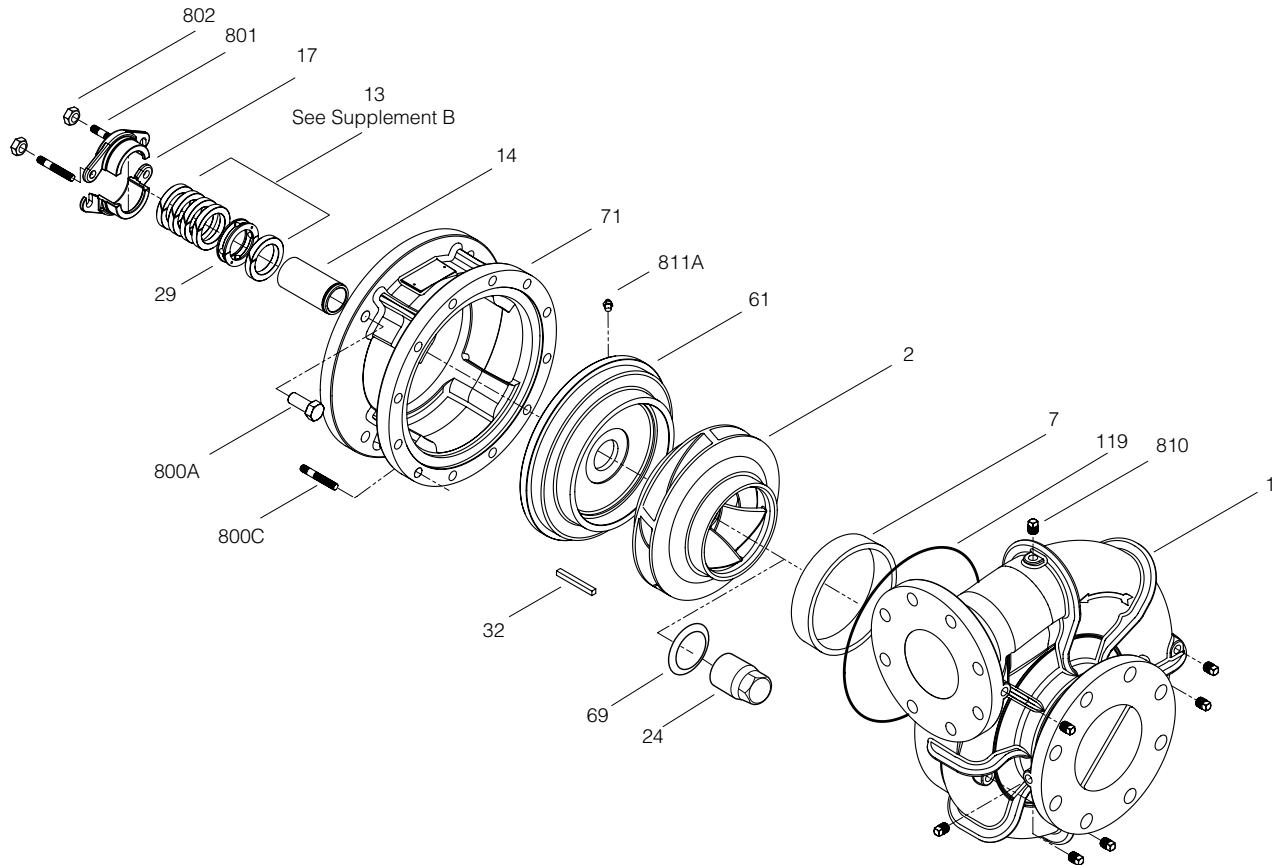
Type "B" Single Stage Centrifugal Pump Electric Motor Drive

| | |
|---------|--------------|
| Section | CC |
| Page | 440.1.1 |
| Date | June 1, 2011 |
| New | |

CAST IRON IMPELLER B10JPBH

Flanged Case

Packing Construction



| Ref | Part Description | Part Number |
|------|-------------------------------------|--------------|
| 1 | Case, Volute | M15103 |
| 2 | Impeller (Note 1) | See Table I |
| 7 | Ring, Wearing | M15125 |
| 13 | Rings, Packing (Set of 5) | S16448 |
| 14 | Sleeve, Shaft (Note 2) | S29517L |
| 17 | Gland, Packing (2 rqd) | M05311 |
| 24 | Locknut, Impeller | S07829 |
| 29 | Ring, Lantern | S14330 |
| 32 | Key, Impeller 1/2 x 2-3/4" | M15123 |
| 61 | Plate, Seal | M15110 |
| 69 | Washer, Impeller | M15232 |
| 71 | Bracket | See Table II |
| 119 | O-Ring | M15130 |
| 800A | Capscrew, 5/8 - 11 x 1-3/4" (8 rqd) | S28427 |
| 800C | Stud (12 rqd) | M15388 |
| * | Nut, Hex (12 rqd) | S23490 |
| 801 | Stud, 3/8 - 16 x 2-1/2" (2 rqd) | S24358 |

| Ref | Part Description | Part Number |
|------|----------------------------------|-------------|
| 802 | Nut, Hex, Lock, 3/8 - 16 (2 rqd) | S23347 |
| 810 | Plug, Pipe | S23717 |
| 811A | Fitting, Grease | S23700 |
| * | Slinger, Water | M15129 |

* Not shown

Table I

| B/M No. | HP | PH | RPM | Imp. Dia. | Imp. No. |
|---------|-----|----|------|-----------|----------|
| B85760 | 150 | 3 | 1800 | 12.50" | M15622 |
| B85758 | 200 | | | 13.50" | M15105 |

Table II

| HP | PH | Bracket No. | "AK" Fit | "U" Dim. | Motor Frame |
|-----|----|-------------|----------|----------|-------------|
| 150 | 3 | M15113 | 16.00" | 2.1875" | 444TY |
| 200 | | | | | 445TY |

NOTE 1: Impeller kit B85810 includes items 2, 24, 32, 69, 119. Impeller (Ref. 2) is full diameter.

NOTE 2: Shaft sleeve kit B85812 includes items 14, 24, 32, 69, 119, adhesive and instruction sheet.



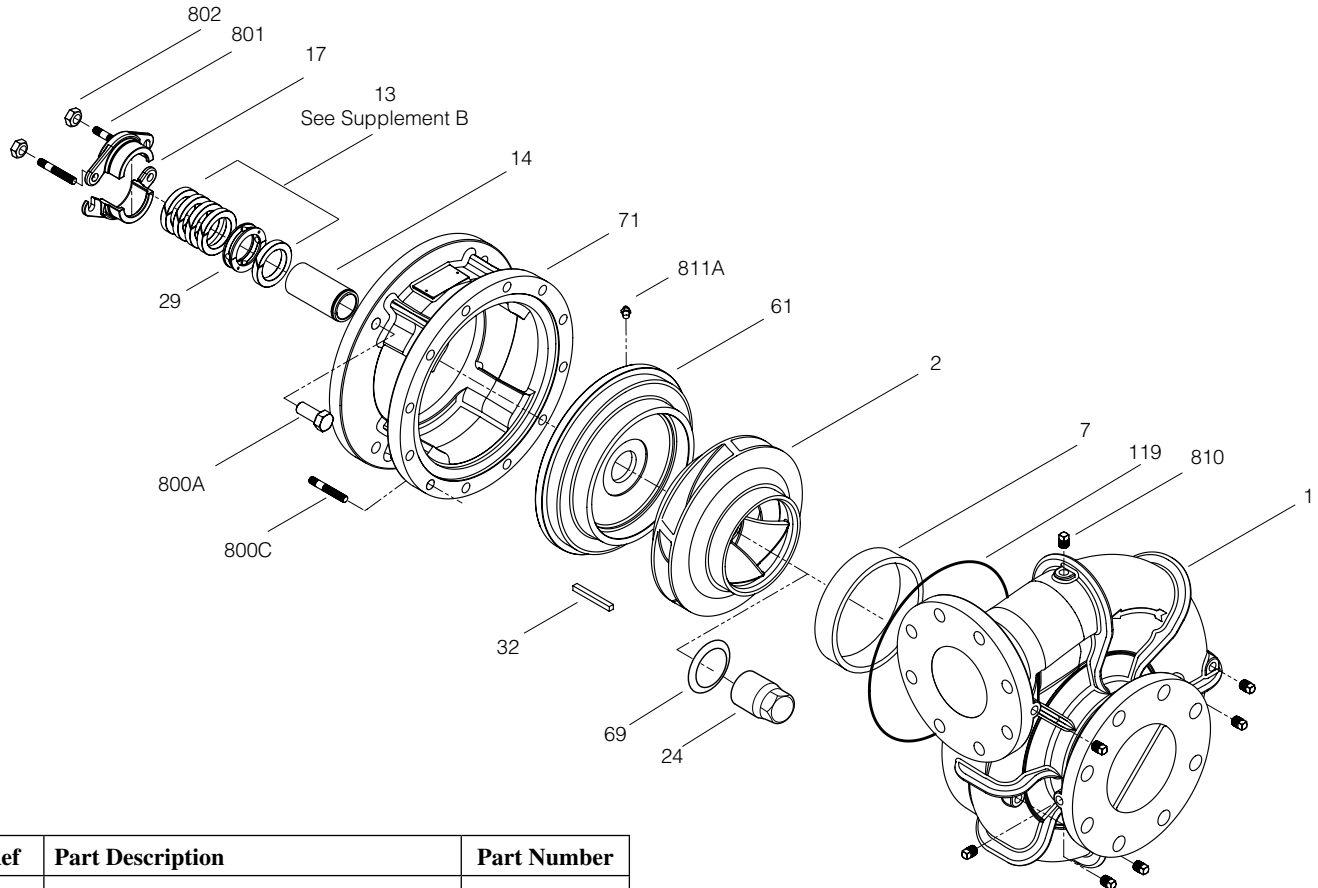
Type "B" Single Stage Centrifugal Pump Electric Motor Drive

| | |
|---------|--------------|
| Section | CC |
| Page | 440.1.2 |
| Date | June 1, 2011 |
| New | |

CAST IRON IMPELLER B10JPBH

Flanged Case

Packing Construction



| Ref | Part Description | Part Number |
|------|----------------------------------|--------------|
| 1 | Case, Volute | M15103 |
| 2 | Impeller (Note 1) | See Table I |
| 7 | Ring, Wearing | M15125 |
| 13 | Rings, Packing (Set of 5) | S13437 |
| 14 | Sleeve, Shaft (Note 2) | M15120 |
| 17 | Gland, Packing (2 rqd) | M13598 |
| 24 | Locknut, Impeller | S07829 |
| 29 | Ring, Lantern | S19198 |
| 32 | Key, Impeller 3/8 x 3/8 x 2" | M15124 |
| 61 | Plate, Seal | M15222 |
| 69 | Washer, Impeller | M15232 |
| 71 | Bracket | See Table II |
| 119 | O-Ring | M15130 |
| 800A | Screw, 5/8 - 11 x 1-3/4" (8 rqd) | S28427 |
| 800C | Stud (12 rqd) | M15388 |
| * | Nut, Hex (12 rqd) | S23490 |
| 801 | Stud, 3/8 - 16 x 2" (2 rqd) | S24335 |
| 802 | Nut, Hex, Lock, 3/8 - 16 (2 rqd) | S23343 |

| Ref | Part Description | Part Number |
|------|------------------|-------------|
| 810 | Plug, Pipe | S23717 |
| 811A | Fitting, Grease | S23700 |
| * | Slinger, Water | M15128 |

* Not shown

Table I

| B/M No. | HP | PH | RPM | Imp. Dia. | Imp. No. |
|---------|-----|----|------|-----------|----------|
| B85764 | 100 | 3 | 1800 | 11.00" | M15623 |
| B85762 | 125 | | | 11.63" | M15223 |

Table II

| HP | PH | Bracket No. | "AK" Fit | "U" Dim. | Motor Frame |
|-----|----|-------------|----------|----------|-------------|
| 100 | 3 | M15114 | 12.50: | 1.625" | 404TCZ |
| 125 | | | | | 405TCZ |

NOTE 1: Impeller kit B85822 includes items 2, 24, 32, 69, 119. Impeller (Ref. 2) is full diameter.

NOTE 2: Shaft sleeve kit B85815 includes items 14, 24, 32, 69, 119, adhesive and instruction sheet.



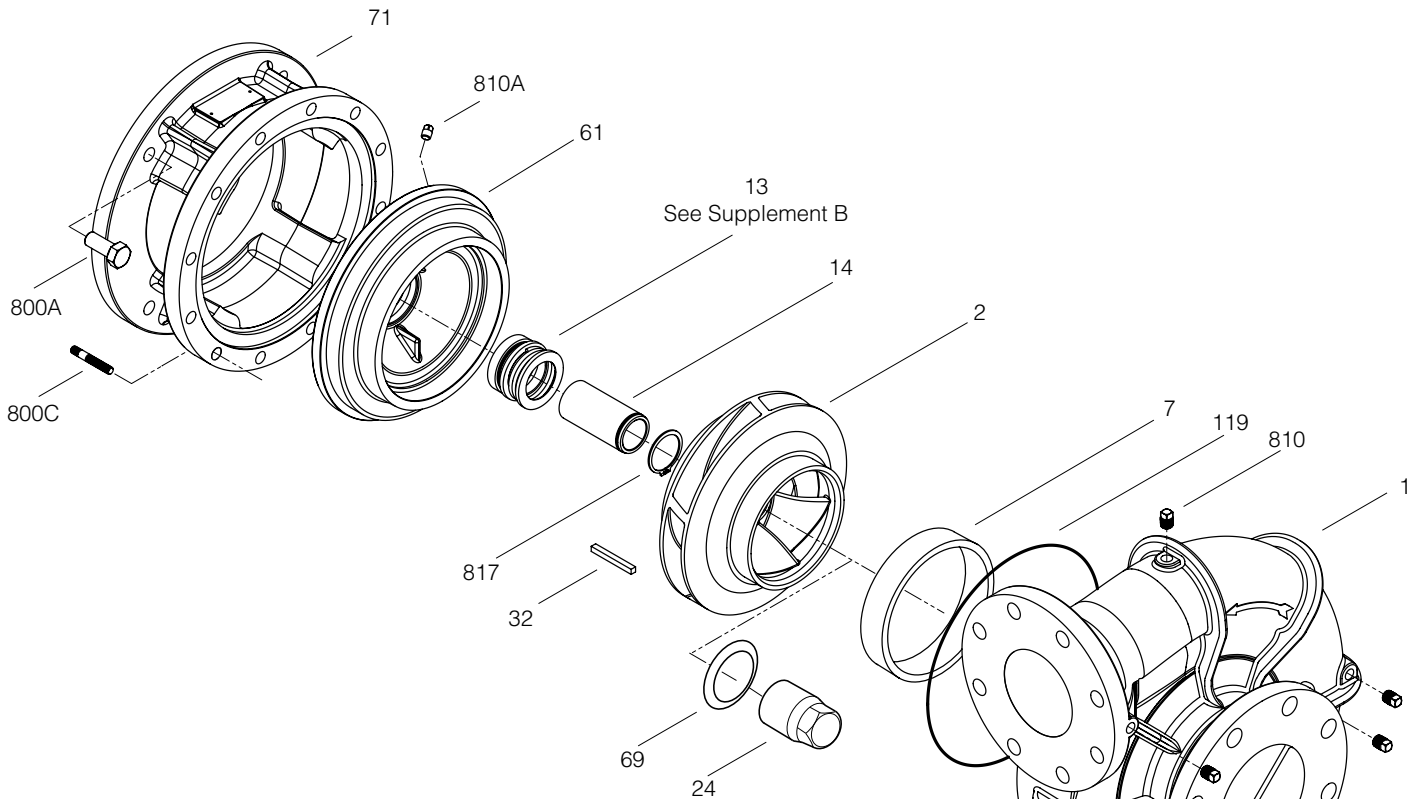
Type "B" Single Stage Centrifugal Pump Electric Motor Drive

| | |
|---------|--------------|
| Section | CC |
| Page | 440.2.1 |
| Date | June 1, 2011 |
| New | |

CAST IRON IMPELLERB10JPBHS

Flanged Case

Mechanical Shaft Seal Construction



| Ref | Part Description | Part Number |
|------|----------------------------------|--------------|
| 1 | Case, Volute | M15103 |
| 2 | Impeller (Note 1) | See Table I |
| 7 | Ring, Wearing | M15125 |
| 13 | Seal, Shaft | S32697 |
| 14 | Sleeve, Shaft (Note 2) | S29517L |
| 24 | Locknut, Impeller | S07829 |
| 32 | Key, 3/8 x 3/8 x 2" | M15124 |
| 61 | Plate, Seal | M15107 |
| 69 | Washer, Impeller | M15232 |
| 71 | Bracket | See Table II |
| 119 | O-Ring | M15130 |
| 800A | Screw, 5/8 - 11 x 1-1/2" (8 rqd) | S28427 |
| 800C | Stud (12 rqd) | M15388 |
| * | Nut, Hex (12 rqd) | S23490 |
| 810 | Plug, Pipe 1/2 NPT | S23717 |
| 810A | Plug, Pipe | S23714 |
| 817 | Ring, Retaining | S29519 |
| * | Slinger, Water | M15129 |

* Not Shown

Table I

| B/M No. | HP | PH | RPM | Imp. Dia. | Imp. No. |
|---------|-----|----|------|-----------|----------|
| B85761 | 150 | 3 | 1800 | 12.50" | M15622 |
| B85759 | 200 | | | 13.50" | M15105 |

Table II

| HP | PH | Bracket No. | "AK" Fit | "U" Dim. | Motor Frame |
|-----|----|-------------|----------|----------|-------------|
| 150 | 3 | M15113 | 16.00" | 2.1875" | 444TY |
| 200 | | | | | 445TY |

NOTE 1: Impeller kit B85810 includes items 2, 24, 32, 69, 119. Impeller (Ref. 2) is full diameter.

NOTE 2: Shaft sleeve kit B85812 includes items 14, 24, 32, 69, 119, adhesive and instruction sheet.



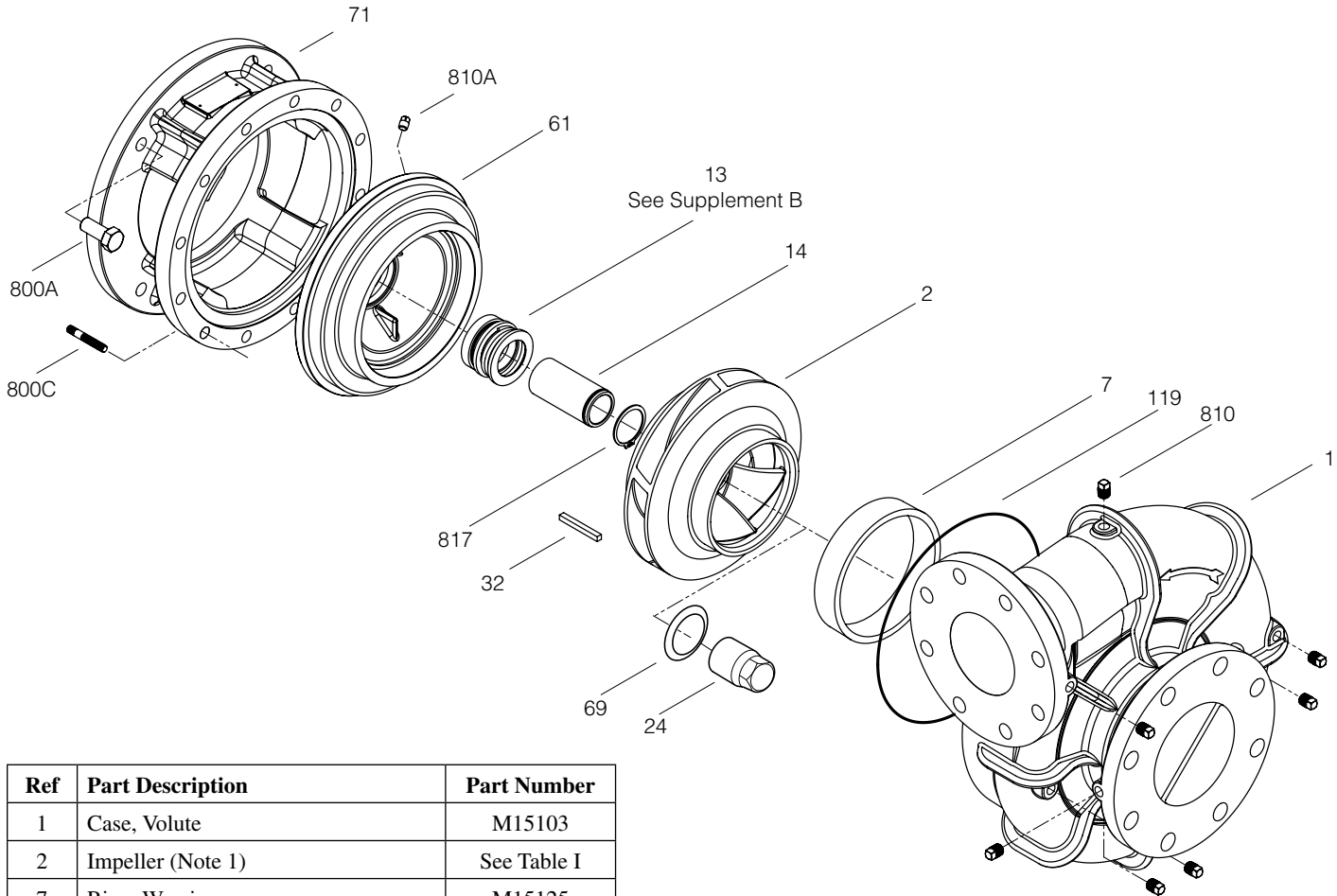
Type "B" Single Stage Centrifugal Pump Electric Motor Drive

| | |
|---------|--------------|
| Section | CC |
| Page | 440.2.2 |
| Date | June 1, 2011 |
| New | |

CAST IRON IMPELLERB10JPBHS

Flanged Case

Mechanical Shaft Seal Construction



| Ref | Part Description | Part Number |
|------|-------------------------------------|--------------|
| 1 | Case, Volute | M15103 |
| 2 | Impeller (Note 1) | See Table I |
| 7 | Ring, Wearing | M15125 |
| 13 | Seal, Shaft | S32016 |
| 14 | Sleeve, Shaft (Note 2) | M15120 |
| 24 | Locknut, Impeller | S07829 |
| 32 | Key, 3/8 x 3/8 x 2" | M15124 |
| 61 | Plate, Seal | M15221 |
| 69 | Washer, Impeller | M15232 |
| 71 | Bracket | See Table II |
| 119 | O-Ring | M15130 |
| 800A | Capscrew, 5/8 - 11 x 1-1/2" (8 rqd) | S28427 |
| 800C | Stud (12 rqd) | M15388 |
| * | Nut, Hex (12 rqd) | S23490 |
| 810 | Plug, Pipe 1/2 NPT | S23717 |
| 810A | Plug, Pipe | S23714 |
| 817 | Ring, Retaining | M15131 |
| * | Slinger, Water | M15128 |

* Not Shown

Table I

| B/M No. | HP | PH | RPM | Imp. Dia. | Imp. No. |
|---------|-----|----|------|-----------|----------|
| B85765 | 100 | 3 | 1800 | 11.00" | M15623 |
| B85763 | 125 | | | 11.63" | M15223 |

Table II

| HP | PH | Bracket No. | "AK" Fit | "U" Dim. | Motor Frame |
|-----|----|-------------|----------|----------|-------------|
| 100 | 3 | M15114 | 12.50: | 1.625" | 404TCZ |
| 125 | | | | | 405TCZ |

NOTE 1: Impeller kit B85822 includes items 2, 24, 32, 69, 119. Impeller (Ref. 2) is full diameter.

NOTE 2: Shaft sleeve kit B85815 includes items 14, 24, 32, 69, 119, adhesive and instruction sheet.



TYPE "B" TWO STAGE CENTRIFUGAL PUMP Electric Motor Drive

| | |
|-------------------|--------------|
| Section | CC/2S |
| Page | 10.1 |
| Date | May 15, 2009 |
| Supersedes 1/1/04 | |

SILICON BRONZE IMPELLER

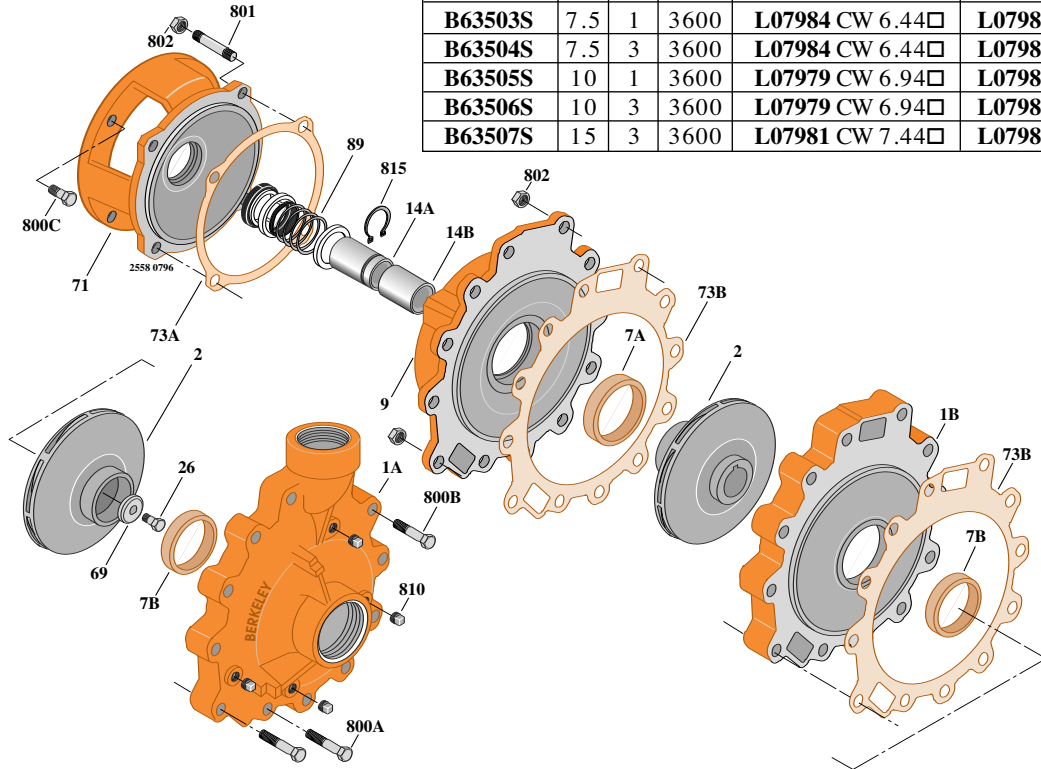
B1-1/2WP2S

Threaded Case (NPT)

Mechanical Seal Construction

TABLE I

| B/M No. | HP | PH | RPM | 1st Stage Imp. No. | 2nd Stage Imp. No. |
|---------|-----|----|------|--------------------|--------------------|
| B63503S | 7.5 | 1 | 3600 | L07984 CW 6.44□ | L07983 CCW 6.44□ |
| B63504S | 7.5 | 3 | 3600 | L07984 CW 6.44□ | L07983 CCW 6.44□ |
| B63505S | 10 | 1 | 3600 | L07979 CW 6.94□ | L07980 CCW 6.94□ |
| B63506S | 10 | 3 | 3600 | L07979 CW 6.94□ | L07980 CCW 6.94□ |
| B63507S | 15 | 3 | 3600 | L07981 CW 7.44□ | L07982 CCW 7.44□ |



| Item No. | Part Description | Part Number |
|----------|--------------------------------------|--------------|
| 1A | Case, Volute, 1st Stage | L04460 |
| 1B | Case, Volute, 2nd Stage | L04464 |
| 2 | Impeller | See Table I |
| 7A | Ring, Wear | S29274 |
| 7B | Ring, Wear (2 Req.) | S29273 |
| 9 | Cover, Suction, 2nd Stage | L04468 |
| 14A | Sleeve, Shaft (See Note 2) | S19310L |
| 14B | Sleeve, Shaft | S00619 |
| 26 | Screw, Impeller | S23566 |
| 32 | Key, 3/16 x 1-1/4□(See Note 1) | S34383 |
| 69 | Washer, Impeller | S06314 |
| 71 | Bracket | See Table II |
| 73A | Gasket, Bracket (As Required) | S04757 |
| 73B | Gasket, 1st & 2nd Stage (2 Req.) | L05525 |
| 89 | Seal, Mechanical Shaft | S32014 |
| 800A | Capscrew, 1/2 - 13 x 5□(2 Req.) | S26930 |
| 800B | Capscrew, 1/2 - 13 x 3-1/2□(10 Req.) | S26926 |
| 800C | Capscrew, 1/2 - 13 x 1□(4 Req.) | S26912 |
| 801 | Stud, 1/2 - 13 x 1-1/2□(4 Req.) | S24043 |
| 802 | Nut, Hex 1/2 - 13 (16 Req.) | S23107 |
| 810 | Plug, Pipe 1/8 NPT (4 Req.) | S23714 |
| 815 | Ring, Retaining, External | S11207 |

TABLE II

| HP | PH | Bracket No. | "AK" Fit | "U" Dim. | Motor Frame |
|-----|----|-------------|----------|----------|-------------|
| 7.5 | 1 | L04428 | 8-1/2□ | 7/8□ | 213TCZ |
| 7.5 | 3 | L04428 | 8-1/2□ | 7/8□ | 184TCZ |
| 10 | 1 | L04428 | 8-1/2□ | 7/8□ | 215TCZ |
| 10 | 3 | L04428 | 8-1/2□ | 7/8□ | 213TCZ |
| 15 | 3 | L04428 | 8-1/2□ | 7/8□ | 215TCZ |

NOTE 1: For an explanation of the tabulated material found on this page and for impeller key location, refer to *Supplement A* located at the beginning of section *CC*.

NOTE 2: Sleeve replacement kit available. Berkeley part number B85681 includes the shaft sleeve, adhesive compound and instruction sheet.



TYPE "B" TWO STAGE CENTRIFUGAL PUMP Electric Motor Drive

| | |
|-------------------|--------------|
| Section | CC/2S |
| Page | 10.2 |
| Date | May 15, 2009 |
| Supersedes 1/1/04 | |

BRONZE IMPELLER

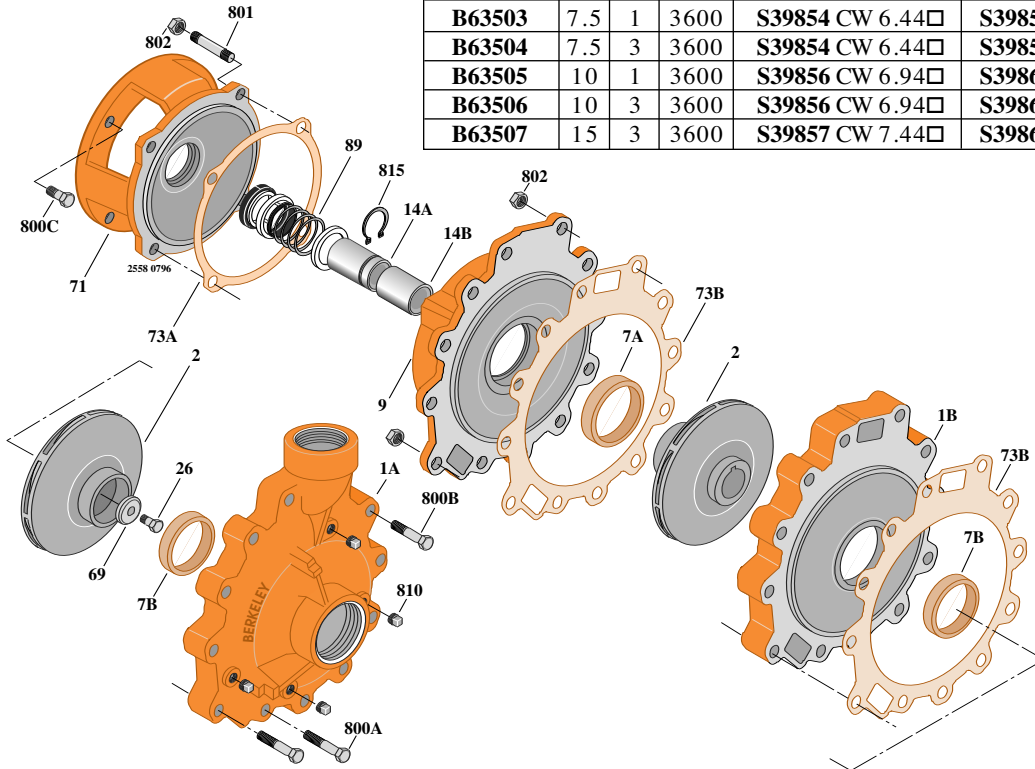
B1-1/2WP2S

Threaded Case (NPT)

Mechanical Seal Construction

TABLE I

| B/M No. | HP | PH | RPM | 1st Stage Imp. No. | 2nd Stage Imp. No. |
|---------------|-----|----|------|------------------------|-------------------------|
| B63503 | 7.5 | 1 | 3600 | S39854 CW 6.44□ | S39858 CCW 6.44□ |
| B63504 | 7.5 | 3 | 3600 | S39854 CW 6.44□ | S39858 CCW 6.44□ |
| B63505 | 10 | 1 | 3600 | S39856 CW 6.94□ | S39860 CCW 6.94□ |
| B63506 | 10 | 3 | 3600 | S39856 CW 6.94□ | S39860 CCW 6.94□ |
| B63507 | 15 | 3 | 3600 | S39857 CW 7.44□ | S39861 CCW 7.44□ |



| Item No. | Part Description | Part Number |
|----------|--------------------------------------|--------------|
| 1A | Case, Volute, 1st Stage | L04460 |
| 1B | Case, Volute, 2nd Stage | L04464 |
| 2 | Impeller | See Table I |
| 7A | Ring, Wear | S29274 |
| 7B | Ring, Wear (2 Req.) | S29273 |
| 9 | Cover, Suction, 2nd Stage | L04468 |
| 14A | Sleeve, Shaft (See Note 2) | S19310L |
| 14B | Sleeve, Shaft | S00619 |
| 26 | Screw, Impeller | S23566 |
| 32 | Key, 3/16 x 1-1/4□(See Note 1) | S34383 |
| 69 | Washer, Impeller | S06314 |
| 71 | Bracket | See Table II |
| 73A | Gasket, Bracket (As Required) | S04757 |
| 73B | Gasket, 1st & 2nd Stage (2 Req.) | L05525 |
| 89 | Seal, Mechanical Shaft | S32014 |
| 800A | Capscrew, 1/2 - 13 x 5□(2 Req.) | S26930 |
| 800B | Capscrew, 1/2 - 13 x 3-1/2□(10 Req.) | S26926 |
| 800C | Capscrew, 1/2 - 13 x 1□(4 Req.) | S26912 |
| 801 | Stud, 1/2 - 13 x 1-1/2□(4 Req.) | S24043 |
| 802 | Nut, Hex 1/2 - 13 (16 Req.) | S23107 |
| 810 | Plug, Pipe 1/8 NPT (4 Req.) | S23714 |
| 815 | Ring, Retaining, External | S11207 |

TABLE II

| HP | PH | Bracket No. | "AK" Fit | "U" Dim. | Motor Frame |
|-----|----|-------------|----------|----------|-------------|
| 7.5 | 1 | L04428 | 8-1/2□ | 7/8□ | 213TCZ |
| 7.5 | 3 | L04428 | 8-1/2□ | 7/8□ | 184TCZ |
| 10 | 1 | L04428 | 8-1/2□ | 7/8□ | 215TCZ |
| 10 | 3 | L04428 | 8-1/2□ | 7/8□ | 213TCZ |
| 15 | 3 | L04428 | 8-1/2□ | 7/8□ | 215TCZ |

NOTE 1: For an explanation of the tabulated material found on this page and for impeller key location, refer to *Supplement A* located at the beginning of section *CC*.

NOTE 2: Sleeve replacement kit available. Berkeley part number B85681 includes the shaft sleeve, adhesive compound and instruction sheet.



TYPE "B" TWO STAGE CENTRIFUGAL PUMP Electric Motor Drive

| | |
|--------------------|-----------------|
| Section | CC/2S |
| Page | 20.1 |
| Date | January 1, 2004 |
| Supersedes 10/1/96 | |

SILICON BRONZE IMPELLER

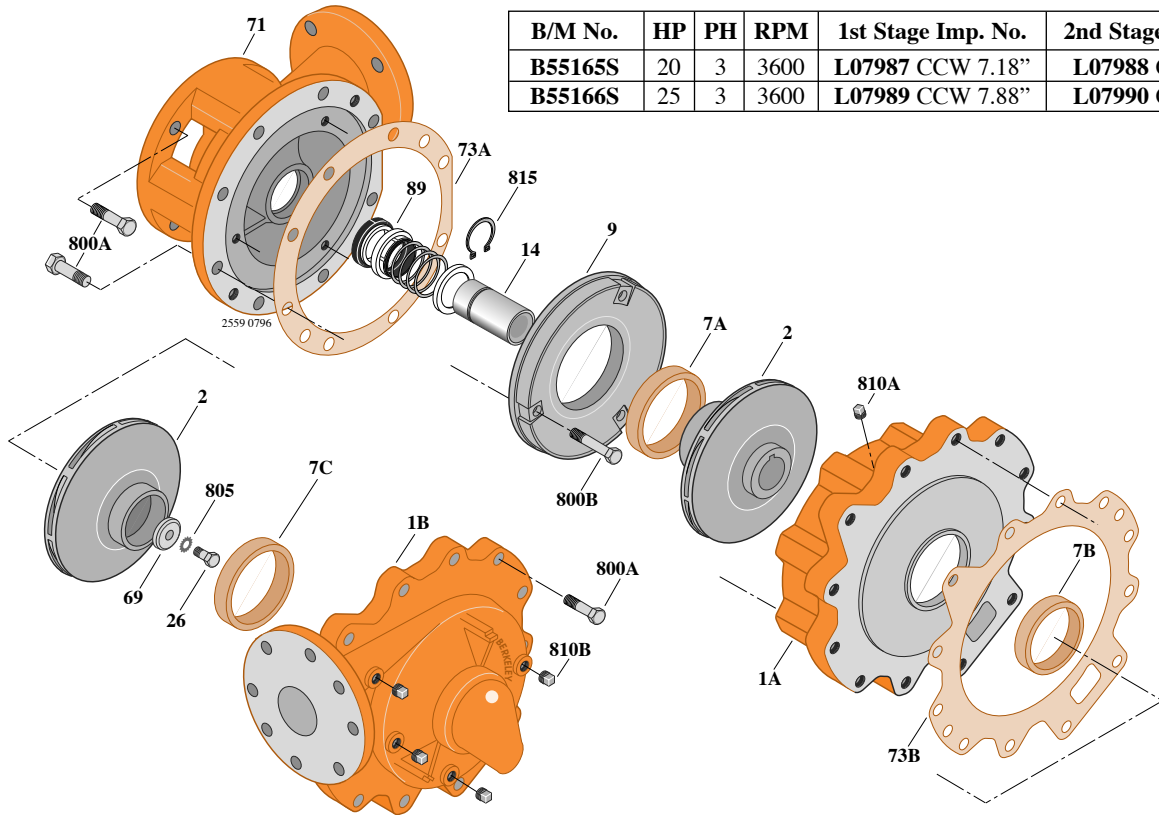
B2ZP2S

Flanged Case

Mechanical Seal Construction

TABLE I

| B/M No. | HP | PH | RPM | 1st Stage Imp. No. | 2nd Stage Imp. No. |
|---------|----|----|------|--------------------|--------------------|
| B55165S | 20 | 3 | 3600 | L07987 CCW 7.18" | L07988 CW 7.18" |
| B55166S | 25 | 3 | 3600 | L07989 CCW 7.88" | L07990 CW 7.88" |



| Item No. | Part Description | Part Number |
|----------|---------------------------------------|--------------|
| 1A | Case, Volute, 1st Stage | H02863 |
| 1B | Case, Volute, 2nd Stage | H02862 |
| 2 | Impeller | See Table I |
| 7A | Ring, Wear | S03238 |
| 7B | Ring, Wear | S00516 |
| 7C | Ring, Wear | S10506 |
| 9 | Cover, Suction | L04597 |
| 14 | Sleeve, Shaft | S16764 |
| 26 | Screw, Impeller | S23621 |
| 32 | Key, 3/16 x 1-1/4" (See Note) | S34383 |
| 69 | Washer, Impeller | S06317 |
| 71 | Bracket | See Table II |
| 73A | Gasket, Bracket | L04602 |
| 73B | Gasket, 1st & 2nd Stage | L04598 |
| 89 | Seal, Mechanical Shaft | S32015 |
| 800A | Capscrew, 1/2 - 13 x 1-1/2" (24 Req.) | S26916 |
| 800B | Capscrew, 3/8 - 16 x 1-1/2" (3 Req.) | S25983 |
| 805 | Washer, Lock | S23038 |
| 810A | Plug, Pipe 1/8 NPT (5 Req.) | S23714 |
| 810B | Plug, Pipe 1/4 NPT (5 Req.) | S23715 |
| 815 | Ring, Retaining, External | S16767 |

TABLE II

| HP | PH | Bracket No. | "AK" Fit | "U" Dim. | Motor Frame |
|----|----|-------------|----------|----------|-------------|
| 20 | 3 | H02861 | 8-1/2" | 1-1/4" | 254JP/TCZ |
| 25 | 3 | H02861 | 8-1/2" | 1-1/4" | 256JP/TCZ |

NOTE: For an explanation of the tabulated material found on this page and for impeller key location, refer to *Supplement A* located at the beginning of section *CC*.



TYPE "B" TWO STAGE CENTRIFUGAL PUMP Electric Motor Drive

| | |
|--------------------|-----------------|
| Section | CC/2S |
| Page | 20.2 |
| Date | January 1, 2004 |
| Supersedes 10/1/96 | |

BRONZE IMPELLER

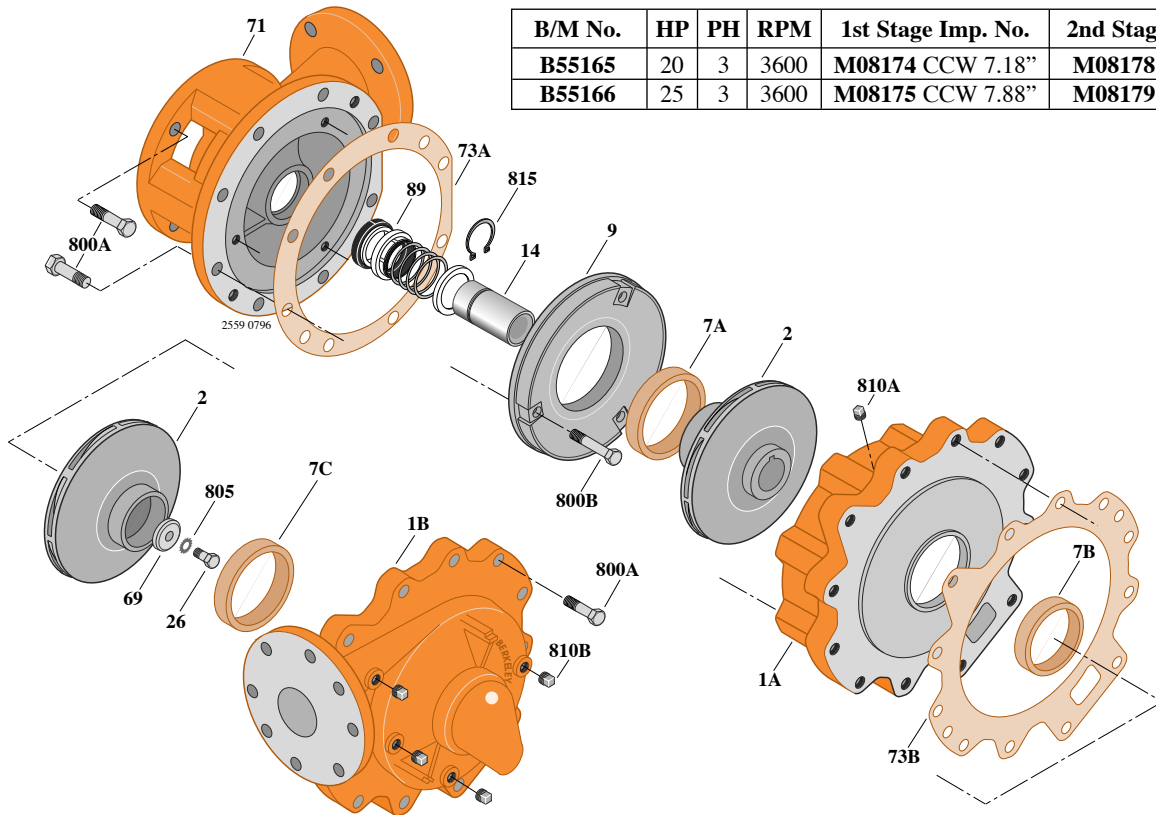
B2ZP2S

Flanged Case

Mechanical Seal Construction

TABLE I

| B/M No. | HP | PH | RPM | 1st Stage Imp. No. | 2nd Stage Imp. No. |
|---------|----|----|------|--------------------|--------------------|
| B55165 | 20 | 3 | 3600 | M08174 CCW 7.18" | M08178 CW 7.18" |
| B55166 | 25 | 3 | 3600 | M08175 CCW 7.88" | M08179 CW 7.88" |



| Item No. | Part Description | Part Number |
|----------|---------------------------------------|--------------|
| 1A | Case, Volute, 1st Stage | H02863 |
| 1B | Case, Volute, 2nd Stage | H02862 |
| 2 | Impeller | See Table I |
| 7A | Ring, Wear | S03238 |
| 7B | Ring, Wear | S00516 |
| 7C | Ring, Wear | S10506 |
| 9 | Cover, Suction | L04597 |
| 14 | Sleeve, Shaft | S16764 |
| 26 | Screw, Impeller | S23621 |
| 32 | Key, 3/16 x 1-1/4" (See Note) | S34383 |
| 69 | Washer, Impeller | S06317 |
| 71 | Bracket | See Table II |
| 73A | Gasket, Bracket | L04602 |
| 73B | Gasket, 1st & 2nd Stage | L04598 |
| 89 | Seal, Mechanical Shaft | S32015 |
| 800A | Capscrew, 1/2 - 13 x 1-1/2" (24 Req.) | S26916 |
| 800B | Capscrew, 3/8 - 16 x 1-1/2" (3 Req.) | S25983 |
| 805 | Washer, Lock | S23038 |
| 810A | Plug, Pipe 1/8 NPT (4 Req.) | S23714 |
| 810B | Plug, Pipe 1/4 NPT (5 Req.) | S23715 |
| 815 | Ring, Retaining, External | S16767 |

TABLE II

| HP | PH | Bracket No. | "AK" Fit | "U" Dim. | Motor Frame |
|----|----|-------------|----------|----------|-------------|
| 20 | 3 | H02861 | 8-1/2" | 1-1/4" | 254JP/TCZ |
| 25 | 3 | H02861 | 8-1/2" | 1-1/4" | 256JP/TCZ |

NOTE: For an explanation of the tabulated material found on this page and for impeller key location, refer to *Supplement A* located at the beginning of section *CC*.



TYPE "B" TWO STAGE CENTRIFUGAL PUMP Electric Motor Drive

| | |
|--------------------|-----------------|
| Section | CC/2S |
| Page | 30.1 |
| Date | January 1, 2004 |
| Supersedes 10/1/96 | |

SILICONE BRONZE IMPELLER

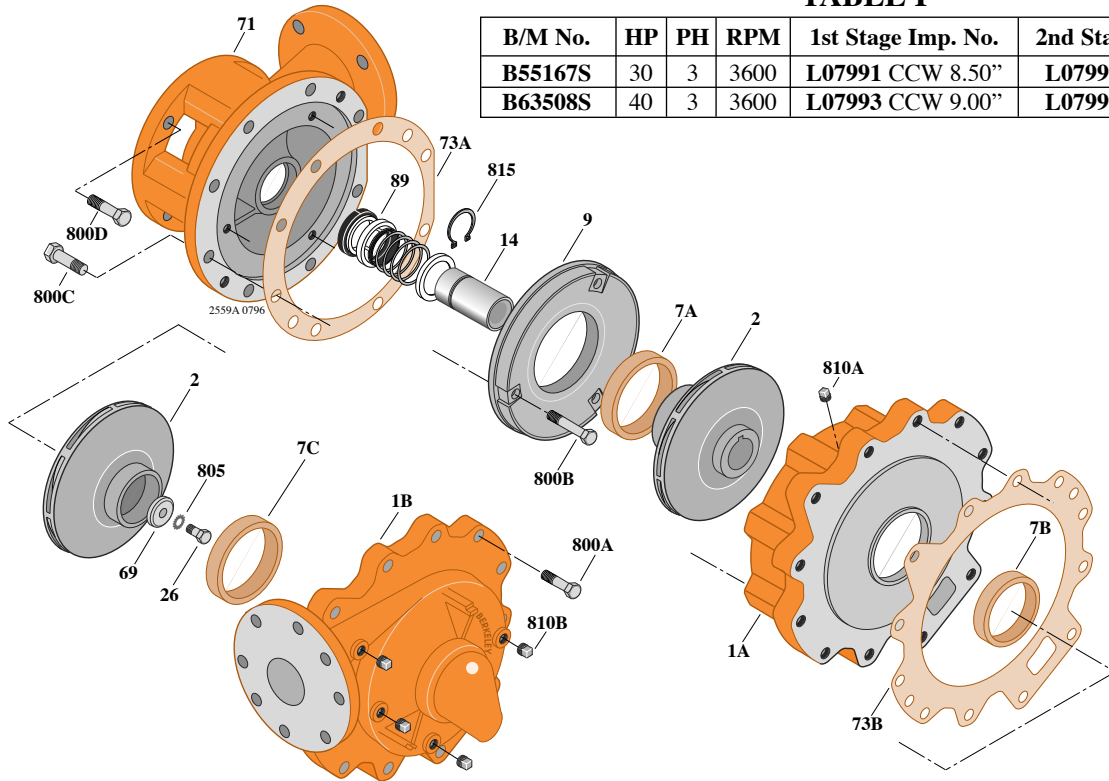
B2ZP2S

Flanged Case

Mechanical Seal Construction

TABLE I

| B/M No. | HP | PH | RPM | 1st Stage Imp. No. | 2nd Stage Imp. No. |
|---------|----|----|------|--------------------|--------------------|
| B55167S | 30 | 3 | 3600 | L07991 CCW 8.50" | L07992 CW 8.50" |
| B63508S | 40 | 3 | 3600 | L07993 CCW 9.00" | L07994 CW 9.00" |



| Item No. | Part Description | Part Number |
|----------|---------------------------------------|--------------|
| 1A | Case, Volute, 1st Stage | H02863 |
| 1B | Case, Volute, 2nd Stage | H02862 |
| 2 | Impeller | See Table I |
| 7A | Ring, Wear | S03238 |
| 7B | Ring, Wear | S00516 |
| 7C | Ring, Wear | S10506 |
| 9 | Cover, Suction | L04597 |
| 14 | Sleeve, Shaft | S16764 |
| 26 | Screw, Impeller | S23621 |
| 32 | Key, 3/16 x 1-1/4" (See Note) | S34383 |
| 69 | Washer, Impeller | S06317 |
| 71 | Bracket | See Table II |
| 73A | Gasket, Bracket | L04602 |
| 73B | Gasket, 1st & 2nd Stage | L04598 |
| 89 | Seal, Mechanical Shaft | S32015 |
| 800A | Capscrew, 1/2 - 13 x 1-3/4" (12 Req.) | S26918 |
| 800B | Capscrew, 3/8 - 16 x 1-1/2" (3 Req.) | S25983 |
| 800C | Capscrew, 1/2 - 13 x 1-1/2" (8 Req.) | S26916 |
| 800D | Capscrew, 1/2 - 13 x 1-1/4" (4 Req.) | S26914 |
| 805 | Washer, Lock | S23038 |
| 810A | Plug, Pipe 1/8 NPT (4 Req.) | S23714 |
| 810B | Plug, Pipe 1/4 NPT (5 Req.) | S23715 |
| 815 | Ring, Retaining, External | S16767 |

TABLE II

| HP | PH | Bracket No. | "AK" Fit | "U" Dim. | Motor Frame |
|----|----|-------------|----------|----------|-------------|
| 30 | 3 | H02864 | 10-1/2" | 1-1/4" | 284TCZ |
| 40 | 3 | H02864 | 10-1/2" | 1-1/4" | 286TCZ |

NOTE: For an explanation of the tabulated material found on this page and for impeller key location, refer to *Supplement A* located at the beginning of section *CC*.



TYPE "B" TWO STAGE CENTRIFUGAL PUMP Electric Motor Drive

| | |
|--------------------|-----------------|
| Section | CC/2S |
| Page | 30.2 |
| Date | January 1, 2004 |
| Supersedes 10/1/96 | |

BRONZE IMPELLER

B2ZP2S

Flanged Case

Mechanical Seal Construction

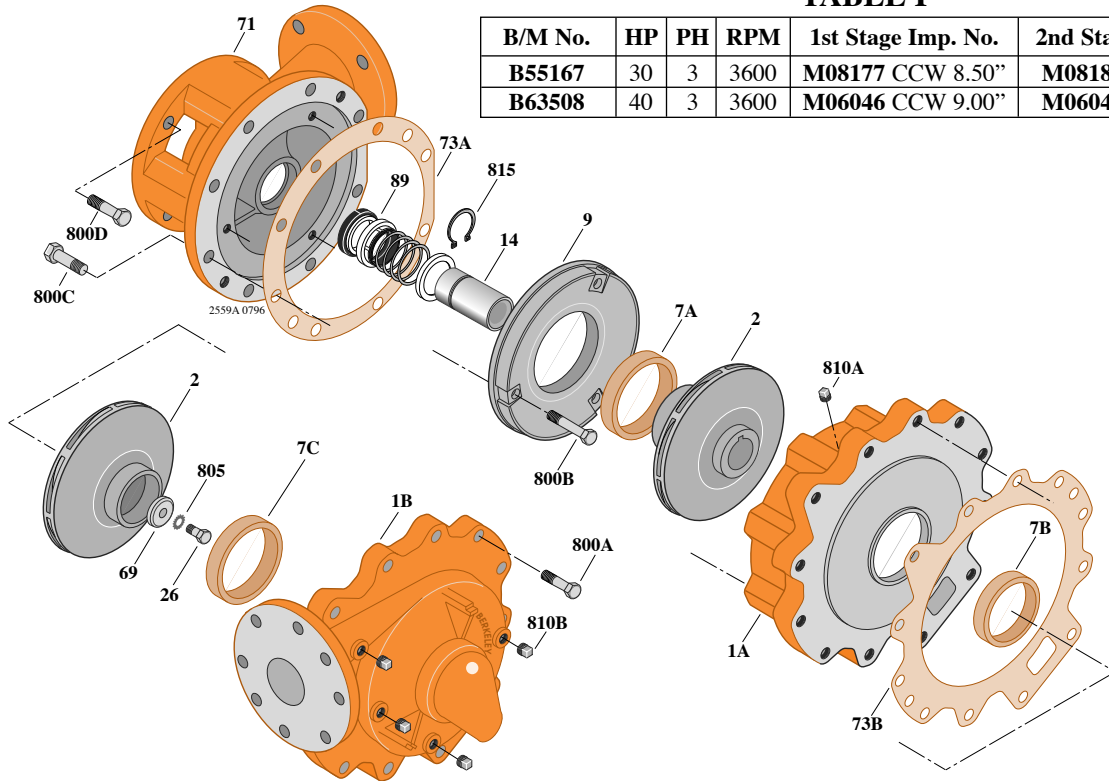


TABLE I

| B/M No. | HP | PH | RPM | 1st Stage Imp. No. | 2nd Stage Imp. No. |
|---------|----|----|------|--------------------|--------------------|
| B55167 | 30 | 3 | 3600 | M08177 CCW 8.50" | M08181 CW 8.50" |
| B63508 | 40 | 3 | 3600 | M06046 CCW 9.00" | M06047 CW 9.00" |

| Item No. | Part Description | Part Number |
|----------|---------------------------------------|--------------|
| 1A | Case, Volute, 1st Stage | H02863 |
| 1B | Case, Volute, 2nd Stage | H02862 |
| 2 | Impeller | See Table I |
| 7A | Ring, Wear | S03238 |
| 7B | Ring, Wear | S00516 |
| 7C | Ring, Wear | S10506 |
| 9 | Cover, Suction | L04597 |
| 14 | Sleeve, Shaft | S16764 |
| 26 | Screw, Impeller | S23621 |
| 32 | Key, 3/16 x 1-1/4" (See Note) | S34383 |
| 69 | Washer, Impeller | S06317 |
| 71 | Bracket | See Table II |
| 73A | Gasket, Bracket | L04602 |
| 73B | Gasket, 1st & 2nd Stage | L04598 |
| 89 | Seal, Mechanical Shaft | S32015 |
| 800A | Capscrew, 1/2 - 13 x 1-3/4" (12 Req.) | S26918 |
| 800B | Capscrew, 3/8 - 16 x 1-1/2" (3 Req.) | S25983 |
| 800C | Capscrew, 1/2 - 13 x 1-1/2" (8 Req.) | S26916 |
| 800D | Capscrew, 1/2 - 13 x 1-1/4" (4 Req.) | S26914 |
| 805 | Washer, Lock | S23038 |
| 810A | Plug, Pipe 1/8 NPT (4 Req.) | S23714 |
| 810B | Plug, Pipe 1/4 NPT (5 Req.) | S23715 |
| 815 | Ring, Retaining, External | S16767 |

TABLE II

| HP | PH | Bracket No. | "AK" Fit | "U" Dim. | Motor Frame |
|----|----|-------------|----------|----------|-------------|
| 30 | 3 | H02864 | 10-1/2" | 1-1/4" | 284TCZ |
| 40 | 3 | H02864 | 10-1/2" | 1-1/4" | 286TCZ |

NOTE: For an explanation of the tabulated material found on this page and for impeller key location, refer to *Supplement A* located at the beginning of section *CC*.



TYPE "C" SINGLE STAGE CENTRIFUGAL PUMP Electric Motor Drive

| | |
|-------------------|-----------------|
| Section | CC/C |
| Page | 10.1 |
| Date | January 1, 2004 |
| Supersedes 8/1/96 | |

CAST IRON IMPELLER

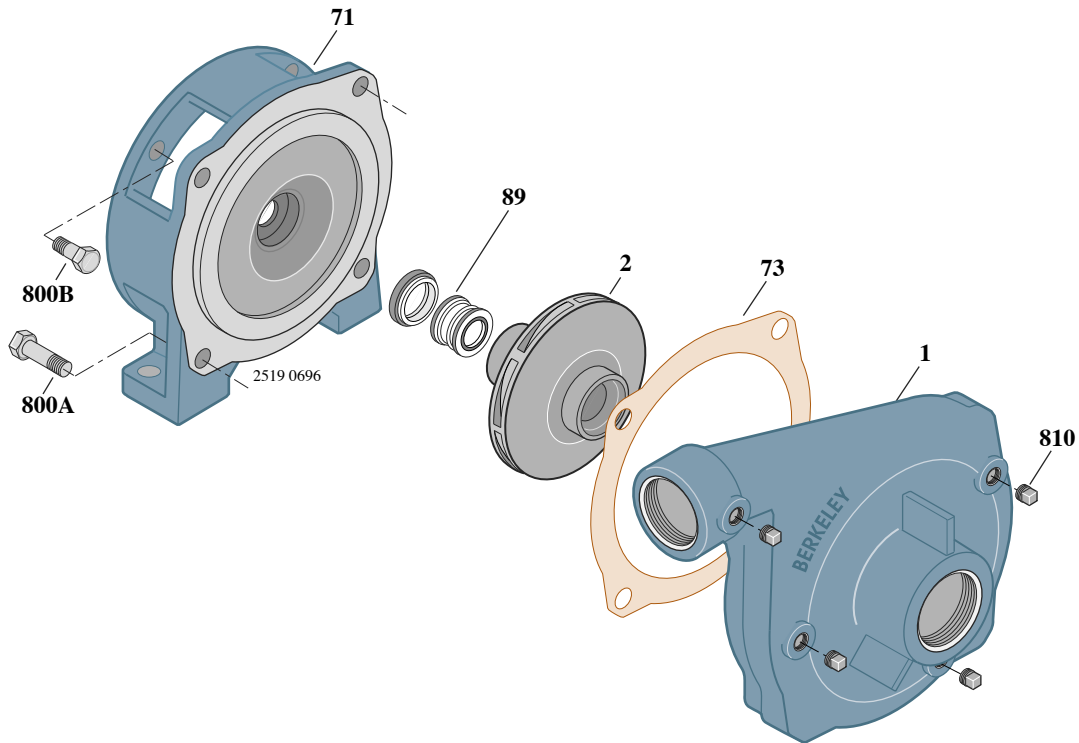
C1-1/4TPMS

Threaded Case (NPT)

Mechanical Seal Construction

TABLE I

| B/M No. | HP | Phase | RPM | Impeller | Impeller Diameter |
|----------------|----|-------|------|----------|-------------------|
| B53602 | 3 | 1 | 3600 | M06919 | 5.47" |
| B53602S | 3 | 1 | 3600 | M11205 | 5.94" |
| B53603 | 3 | 3 | 3600 | M06919 | 5.47" |
| B53603S | 3 | 3 | 3600 | M11205 | 5.94" |



| Item No. | Part Description | Part Number |
|----------|-------------------------------------|-------------|
| 1 | Case, Volute | M03011 |
| 2 | Impeller | See Table I |
| 71 | Bracket | L02866 |
| 73 | Gasket, Case | S07445 |
| 89 | Seal, Mechanical Shaft | S08019 |
| 800A | Capscrew, 5/16 - 18 x 7/8" (4 Req.) | S26783 |
| 800B | Capscrew, 3/8 - 16 x 7/8" (4 Req.) | S26825 |
| 810 | Plug, Pipe 1/8 NPT (4 Req.) | S23714 |



TYPE "C" SINGLE STAGE CENTRIFUGAL PUMP Electric Motor Drive

| | |
|-------------------|-----------------|
| Section | CC/C |
| Page | 20.1 |
| Date | January 1, 2004 |
| Supersedes 8/1/96 | |

CAST IRON IMPELLER

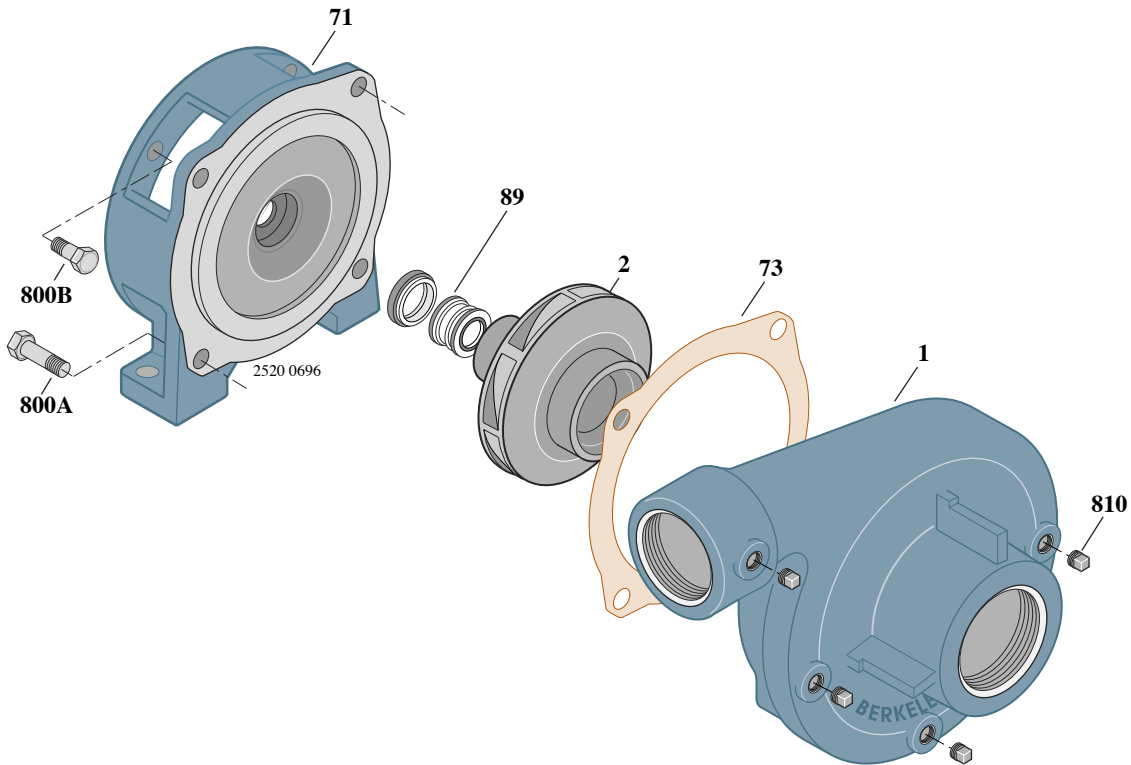
C1-1/2TPHS

Threaded Case (NPT)

Mechanical Seal Construction

TABLE I

| B/M No. | HP | Phase | RPM | Impeller | Impeller Diameter |
|----------------|----|-------|------|----------|-------------------|
| B59212 | 3 | 1 | 3600 | M07636 | 4.88" |
| B59212S | 3 | 1 | 3600 | M11209 | 4.88" |
| B59213 | 3 | 3 | 3600 | M07636 | 4.88" |
| B59213S | 3 | 3 | 3600 | M11209 | 4.88" |



| Item No. | Part Description | Part Number |
|----------|-------------------------------------|-------------|
| 1 | Case, Volute | L01848 |
| 2 | Impeller | See Table I |
| 71 | Bracket | L02866 |
| 73 | Gasket, Case | S07445 |
| 89 | Seal, Mechanical Shaft | S08019 |
| 800A | Capscrew, 5/16 - 18 x 7/8" (4 Req.) | S26783 |
| 800B | Capscrew, 3/8 - 16 x 7/8" (4 Req.) | S26825 |
| 810 | Plug, Pipe 1/8 NPT (4 Req.) | S23714 |



TYPE "C" SINGLE STAGE CENTRIFUGAL PUMP Electric Motor Drive

| | |
|-------------------|-----------------|
| Section | CC/C |
| Page | 30.1 |
| Date | January 1, 2004 |
| Supersedes 8/1/96 | |

CAST IRON IMPELLER

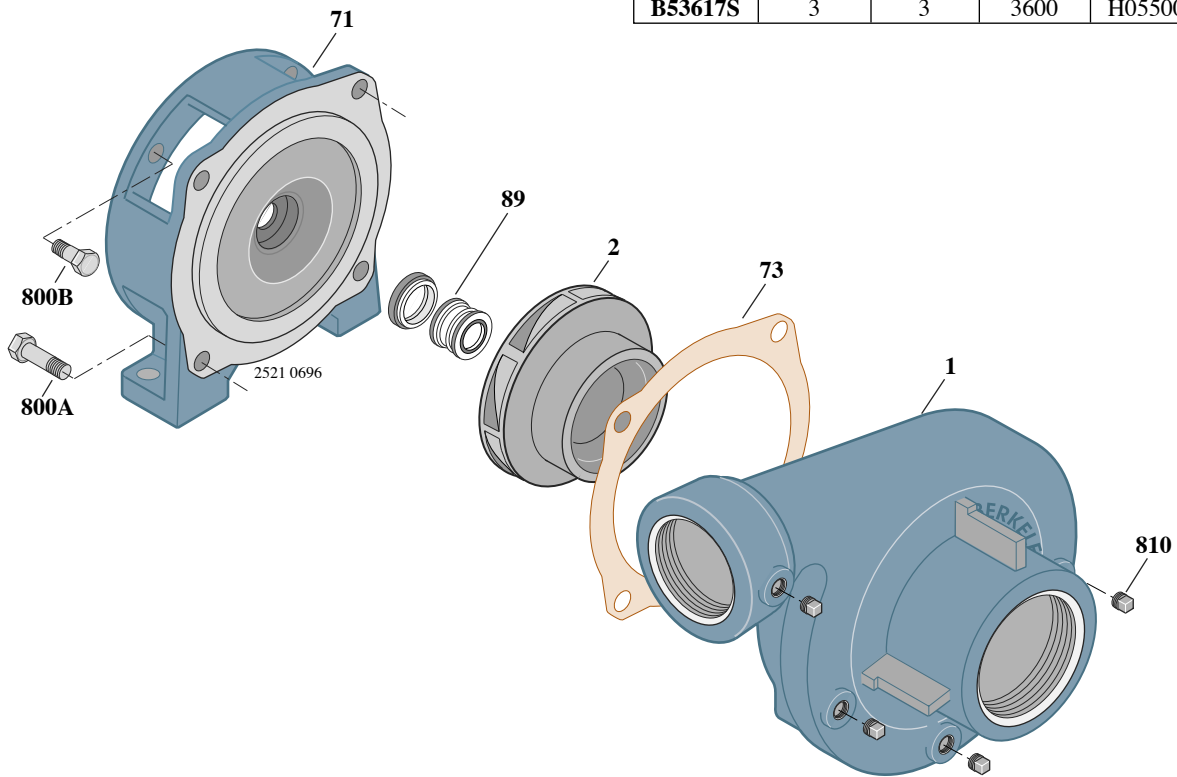
C2MPS

Threaded Case (NPT)

Mechanical Seal Construction

TABLE I

| B/M No. | HP | Phase | RPM | Impeller | Impeller Diameter |
|----------------|----|-------|------|----------|-------------------|
| B53616 | 3 | 1 | 3600 | M07749 | 4.50" |
| B53616S | 3 | 1 | 3600 | H05500 | 4.50" |
| B53617 | 3 | 3 | 3600 | M07749 | 4.50" |
| B53617S | 3 | 3 | 3600 | H05500 | 4.50" |



| Item No. | Part Description | Part Number |
|----------|-------------------------------------|-------------|
| 1 | Case, Volute | L01861 |
| 2 | Impeller | See Table I |
| 71 | Bracket | L02866 |
| 73 | Gasket, Case | S07445 |
| 89 | Seal, Mechanical Shaft | S08019 |
| 800A | Capscrew, 5/16 - 18 x 7/8" (4 Req.) | S26783 |
| 800B | Capscrew, 3/8 - 16 x 7/8" (4 Req.) | S26825 |
| 810 | Plug, Pipe 1/8 NPT (4 Req.) | S23714 |



TYPE "B" SINGLE STAGE CENTRIFUGAL PUMP High Pressure Motor Drive

| | |
|-------------------|-----------------|
| Section | CC/HP |
| Page | 10.1 |
| Date | January 1, 2004 |
| Supersedes 8/1/96 | |

BRONZE IMPELLER

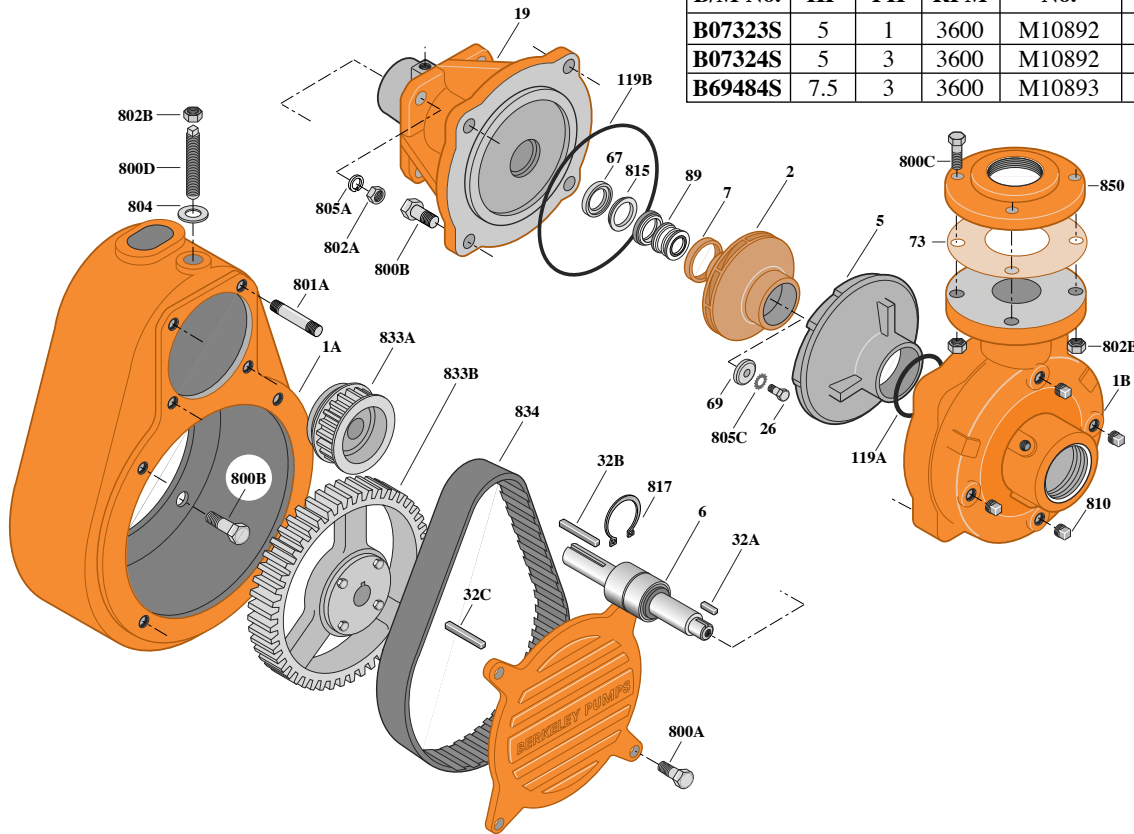
B1-1/2XPBS

Threaded Case (NPT)

Mechanical Seal Construction

TABLE I

| B/M No. | HP | PH | RPM | Impeller No. | Bearing Housing | Srocket |
|----------------|-----|----|------|--------------|-----------------|---------|
| B07323S | 5 | 1 | 3600 | M10892 | M04520 | S12693 |
| B07324S | 5 | 3 | 3600 | M10892 | M04520 | S12693 |
| B69484S | 7.5 | 3 | 3600 | M10893 | M04520 | S12693 |



| Item No. | Part Description | Part Number |
|----------|--------------------------------------|-------------|
| 1A | Case, Drive | L03332 |
| 1B | Case, Volute | L03030 |
| 2 | Impeller | See Table I |
| 5 | Diffuser | L07986 |
| 6 | Shaft and Bearing Assembly | S12863 |
| 7 | Ring, Wear | S03314 |
| 9 | Cover, Drive Case | M04689 |
| 19 | Housing, Bearing | See Table I |
| 26 | Screw, Impeller 1/4 - 20 x 1" | S23512 |
| 32A | Key, 3/16 x 3/4" | U65-2SS |
| 32B | Key, 3/16 x 1-3/4" | S24153 |
| 32C | Key, 5/16 x 2" | S24240 |
| 67 | Spacer, Impeller | S00512 |
| 69 | Washer, Impeller | S16745 |
| 73 | Gasket, Flange | S10361 |
| 89 | Seal, Mechanical Shaft | S22380 |
| 119A | Quadring | S13933 |
| 119B | O-Ring | S13932 |
| 800A | Capscrew, 3/8 - 16 x 1" (4 Req.) | S26826 |
| 800B | Capscrew, 1/2 - 13 x 1-1/4" (8 Req.) | S26914 |

| Item No. | Part Description | Part Number |
|----------|----------------------------------|-------------|
| 800C | Capscrew, 1/2 - 13 x 2" (4 Req.) | S26920 |
| 800D | Screw, Set 1/2 - 13 x 3" | S32407 |
| 801 | Stud, 3/8 - 16 x 1-1/4" (4 Req.) | S23994 |
| 802A | Nut, Hex 3/8-16 (4 Req.) | S23103 |
| 802B | Nut, Hex 1/2-13 (5 Req.) | S23107 |
| 804A | Washer, Flat 1/2 ID x 1-1/16 OD | S23052 |
| 805A | Washer, Lock, 3/8 (8 Req.) | S23076 |
| 805B | Washer, Lock, 1/2 (4 Req.) | S23091 |
| 805C | Washer, Lock, External Tooth | S23034 |
| 810 | Plug, Pipe 1/4 NPT (7 Req.) | S23715 |
| 815 | Ring, Seal Retaining | S11894 |
| 817 | Ring, Retaining, Internal | S23022 |
| 833A | Sprocket, Timing Belt | S12694 |
| 833B | Sprocket, Timing Belt | See Table I |
| 834 | Timing Belt | S12691 |
| 850 | Flange, Companion | S11785 |
| • | Tubing, 3/8 | S22480 |
| • | Connector, Tubing (2 Req.) | S24017 |

• Not illustrated.



TYPE "B" SINGLE STAGE CENTRIFUGAL PUMP High Pressure Motor Drive

| | |
|-------------------|-----------------|
| Section | CC/HP |
| Page | 10.2 |
| Date | January 1, 2004 |
| Supersedes 8/1/96 | |

BRASS IMPELLER

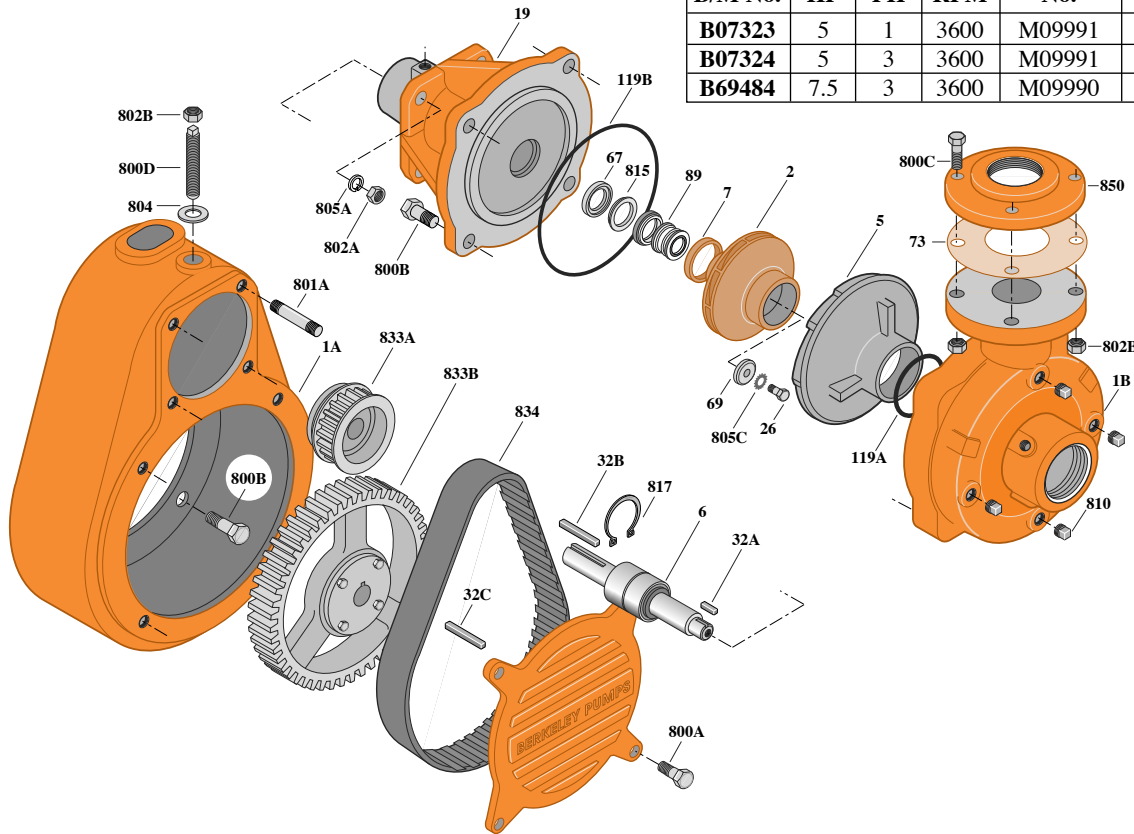
B1-1/2XPBS

Threaded Case (NPT)

Mechanical Seal Construction

TABLE I

| B/M No. | HP | PH | RPM | Impeller No. | Bearing Housing | Srocket |
|---------------|-----|----|------|--------------|-----------------|---------|
| B07323 | 5 | 1 | 3600 | M09991 | M04520 | S12693 |
| B07324 | 5 | 3 | 3600 | M09991 | M04520 | S12693 |
| B69484 | 7.5 | 3 | 3600 | M09990 | M04520 | S12693 |



| Item No. | Part Description | Part Number |
|----------|--------------------------------------|-------------|
| 1A | Case, Drive | L03332 |
| 1B | Case, Volute | L03030 |
| 2 | Impeller | See Table I |
| 5 | Diffuser | L03112 |
| 6 | Shaft and Bearing Assembly | S12863 |
| 7 | Ring, Wear | S03314 |
| 9 | Cover, Drive Case | M04689 |
| 19 | Housing, Bearing | See Table I |
| 26 | Screw, Impeller 1/4 - 20 x 1" | S23512 |
| 32A | Key, 3/16 x 3/4" | U65-2SS |
| 32B | Key, 3/16 x 1-3/4" | S24153 |
| 32C | Key, 5/16 x 2" | S24240 |
| 67 | Spacer, Impeller | S00512 |
| 69 | Washer, Impeller | S16745 |
| 73 | Gasket, Flange | S10361 |
| 89 | Seal, Mechanical Shaft | S22380 |
| 119A | Quadrang | S13933 |
| 119B | O-Ring | S13932 |
| 800A | Capscrew, 3/8 - 16 x 1" (4 Req.) | S26826 |
| 800B | Capscrew, 1/2 - 13 x 1-1/4" (8 Req.) | S26914 |

| Item No. | Part Description | Part Number |
|----------|----------------------------------|-------------|
| 800C | Capscrew, 1/2 - 13 x 2" (4 Req.) | S26920 |
| 800D | Screw, Set 1/2 - 13 x 3" | S32407 |
| 801 | Stud, 3/8 - 16 x 1-1/4" (4 Req.) | S23994 |
| 802A | Nut, Hex 3/8-16 (4 Req.) | S23103 |
| 802B | Nut, Hex 1/2-13 (5 Req.) | S23107 |
| 804A | Washer, Flat 1/2 ID x 1-1/16 OD | S23052 |
| 805A | Washer, Lock, 3/8 (8 Req.) | S23076 |
| 805B | Washer, Lock, 1/2 (4 Req.) | S23091 |
| 805C | Washer, Lock, External Tooth | S23034 |
| 810 | Plug, Pipe 1/4 NPT (7 Req.) | S23715 |
| 815 | Ring, Seal Retaining | S11894 |
| 817 | Ring, Retaining, Internal | S23022 |
| 833A | Sprocket, Timing Belt | S12694 |
| 833B | Sprocket, Timing Belt | See Table I |
| 834 | Timing Belt | S12691 |
| 850 | Flange, Companion | S11785 |
| • | Tubing, 3/8 | S22480 |
| • | Connector, Tubing (2 Req.) | S24017 |

• Not illustrated.



TYPE "B" SINGLE STAGE CENTRIFUGAL PUMP Electric Motor Drive Self Prime

| | |
|-------------------|-----------------|
| Section | CC/SP |
| Page | 10.1 |
| Date | January 1, 2004 |
| Supersedes 8/1/96 | |

CAST IRON IMPELLER

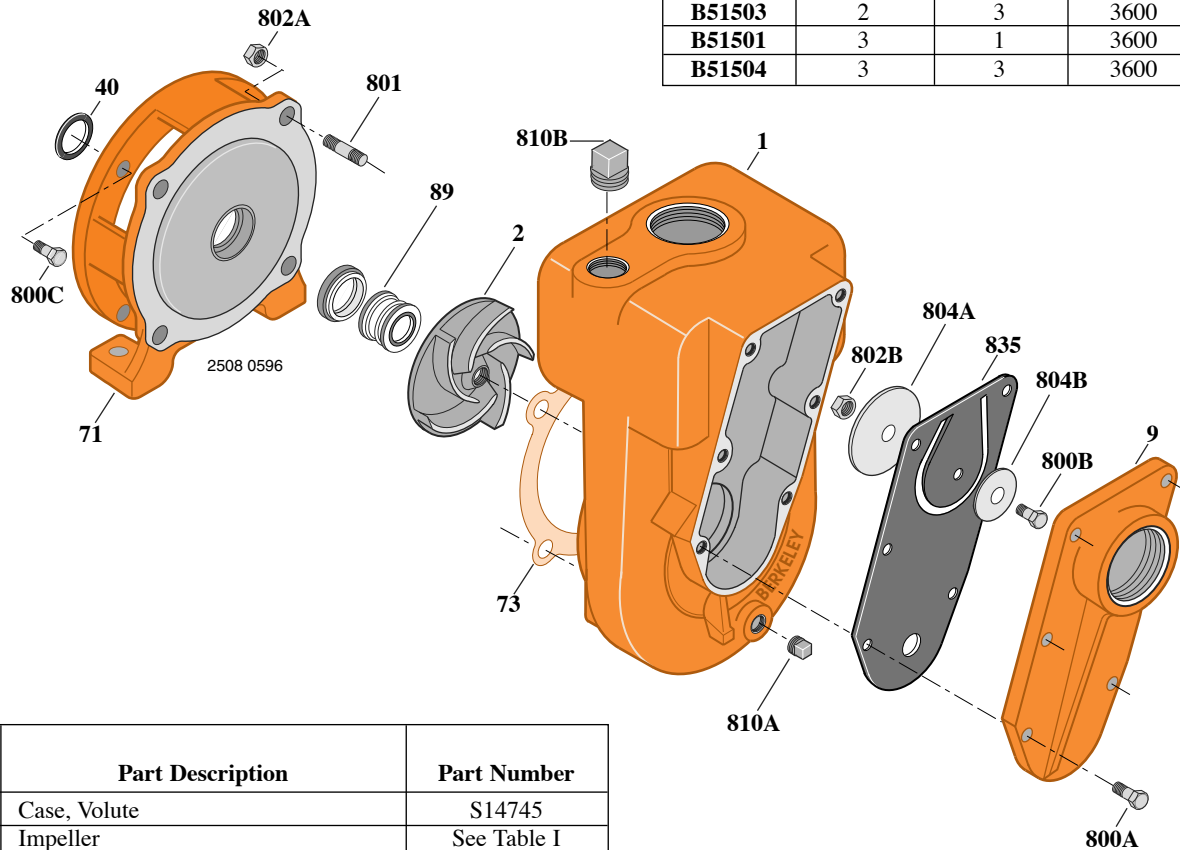
B2XPKS

Threaded Case (NPT)

Mechanical Seal Construction

TABLE I

| B/M No. | HP | PH | RPM | Imp. No. |
|---------|-----|----|------|----------|
| B51499 | 1.5 | 1 | 3600 | S11486 |
| B51502 | 1.5 | 3 | 3600 | S11486 |
| B51500 | 2 | 1 | 3600 | S11484 |
| B51503 | 2 | 3 | 3600 | S11484 |
| B51501 | 3 | 1 | 3600 | S11485 |
| B51504 | 3 | 3 | 3600 | S11485 |



| Item No. | Part Description | Part Number |
|----------|-------------------------------------|-------------|
| 1 | Case, Volute | S14745 |
| 2 | Impeller | See Table I |
| 9 | Cover, Suction | M05420 |
| 40 | Slinger, Water | S05222 |
| 71 | Bracket | M02725 |
| 73 | Gasket | S04728 |
| 89 | Seal, Mechanical Shaft | S20990 |
| 800A | Capscrew, 5/16 - 18 x 7/8" (6 Req.) | S26783 |
| 800B | Capscrew, 1/4 - 20 x 1/2" | S23117 |
| 800C | Capscrew, 3/8 - 16 x 3/4" (4 Req.) | S26824 |
| 801 | Stud, 3/8 - 16 x 1-1/4" (4 Req.) | S23994 |
| 802A | Nut, Hex 3/8 - 16 (4 Req.) | S23103 |
| 802B | Nut, Hex 1/4 - 20 | S23100 |
| 804A | Weight, Clack | S14673 |
| 804B | Weight, Clack | S14676 |
| 810A | Plug, Pipe 1/4 NPT | S14692 |
| 810B | Plug, Pipe 1 NPT | S14693 |
| 835 | Clack, Rubber | M05424 |



**TYPE "B" SINGLE STAGE
CENTRIFUGAL PUMP
Electric Motor Drive Self Prime**

| | |
|-------------------|--------------|
| Section | CC/SP |
| Page | 20.1 |
| Date | May 15, 2009 |
| Supersedes 1/1/04 | |

CAST IRON IMPELLER

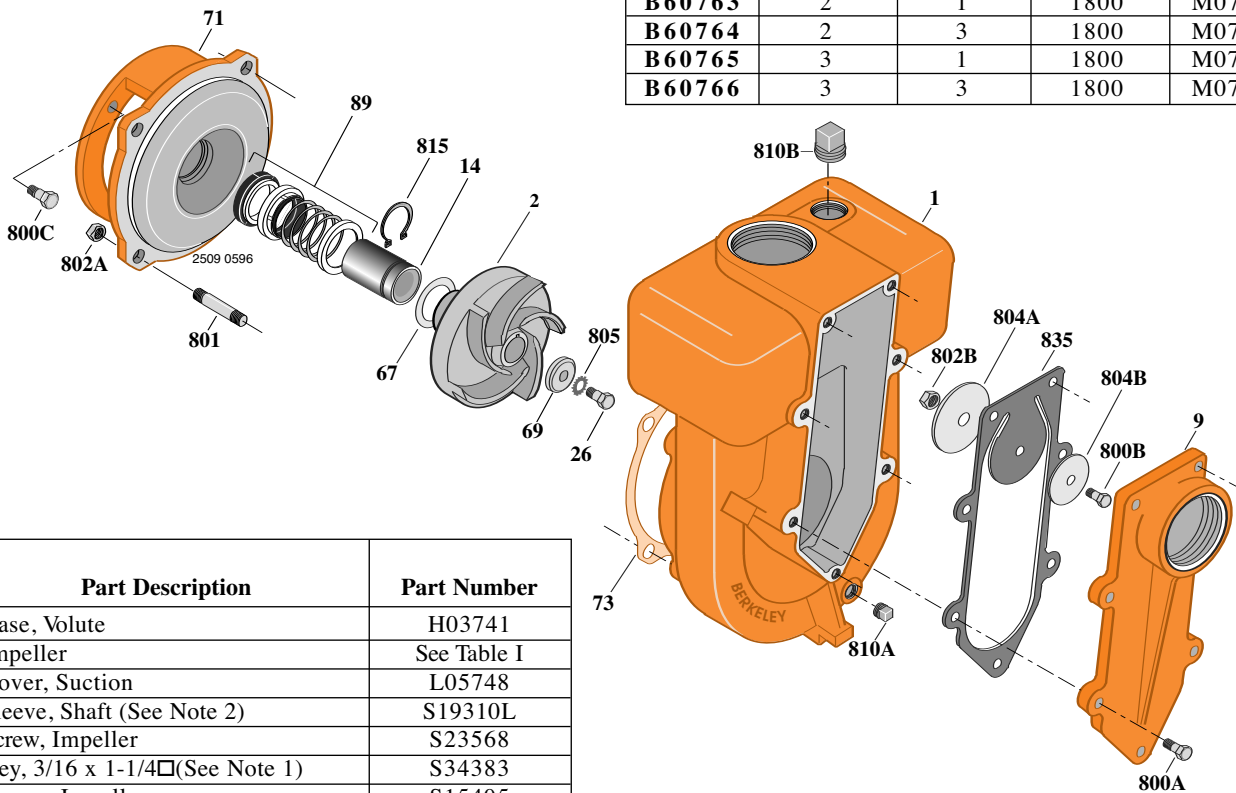
B3TPKS

Threaded Case (NPT)

Mechanical Seal Construction

TABLE I

| B/M No. | HP | PH | RPM | Imp. No. |
|---------------|-----|----|------|----------|
| B60761 | 1.5 | 1 | 1800 | M07240 |
| B60762 | 1.5 | 3 | 1800 | M07240 |
| B60763 | 2 | 1 | 1800 | M07239 |
| B60764 | 2 | 3 | 1800 | M07239 |
| B60765 | 3 | 1 | 1800 | M07232 |
| B60766 | 3 | 3 | 1800 | M07232 |



| Item No. | Part Description | Part Number |
|----------|-------------------------------------|--------------|
| 1 | Case, Volute | H03741 |
| 2 | Impeller | See Table I |
| 9 | Cover, Suction | L05748 |
| 14 | Sleeve, Shaft (See Note 2) | S19310L |
| 26 | Screw, Impeller | S23568 |
| 32 | Key, 3/16 x 1-1/4 (See Note 1) | S34383 |
| 67 | Spacer, Impeller | S15405 |
| 69 | Washer, Impeller Lock | S06314 |
| 71 | Bracket | See Table II |
| 73 | Gasket | S04757 |
| 73 | Gasket (As required) | S15049 |
| 89 | Seal, Mechanical Shaft | S32014 |
| 800A | Capscrew, 3/8 - 16 x 1-1/4 (7 Req.) | S26828 |
| 800B | Capscrew, 3/8 - 16 x 3/4 | S26824 |
| 800C | Capscrew, 3/8 - 16 x 1 (4 Req.) | S26826 |
| 801 | Stud, 1/2 - 13 x 1-1/2 (4 Req.) | S24043 |
| 802A | Nut, Hex 1/2 - 13 (4 Req.) | S23107 |
| 802B | Nut, Hex 3/8 - 16 | S23103 |
| 804A | Weight, Clack | S15325 |
| 804B | Weight, Clack | S14843 |
| 805 | Washer, Lock | S23036 |
| 810A | Plug, Pipe 1/4 NPT | S23715 |
| 810B | Plug, Pipe 1-1/4 NPT | S23694 |
| 815 | Ring, Retaining | S11207 |
| 835 | Clack, Rubber | L05749 |

TABLE II

| HP | PH | Bracket No. | "AK" Fit | "U" Dim. | Motor Frame |
|-----|----|-------------|----------|----------|-------------|
| 1.5 | 1 | L05329 | 4-1/2 | 7/8 | 145JM |
| 1.5 | 3 | L05329 | 4-1/2 | 7/8 | 145JM |
| 2 | 1 | L05329 | 4-1/2 | 7/8 | 182JM |
| 2 | 3 | L05329 | 4-1/2 | 7/8 | 145JM |
| 3 | 1 | L05329 | 4-1/2 | 7/8 | 184JM |
| 3 | 3 | L05329 | 4-1/2 | 7/8 | 182JM |

NOTE 1: For an explanation of the tabulated material found on this page and for impeller key location, refer to **Supplement A** located at the beginning of section **CC**.

NOTE 2: Sleeve replacement kit available. Berkeley part number B85681 includes the shaft sleeve, adhesive compound and instruction sheet.



TYPE "B" SINGLE STAGE CENTRIFUGAL PUMP Electric Motor Drive Self Prime

| | |
|-------------------|--------------|
| Section | CC/SP |
| Page | 20.2 |
| Date | May 15, 2009 |
| Supersedes 1/1/04 | |

CAST IRON IMPELLER

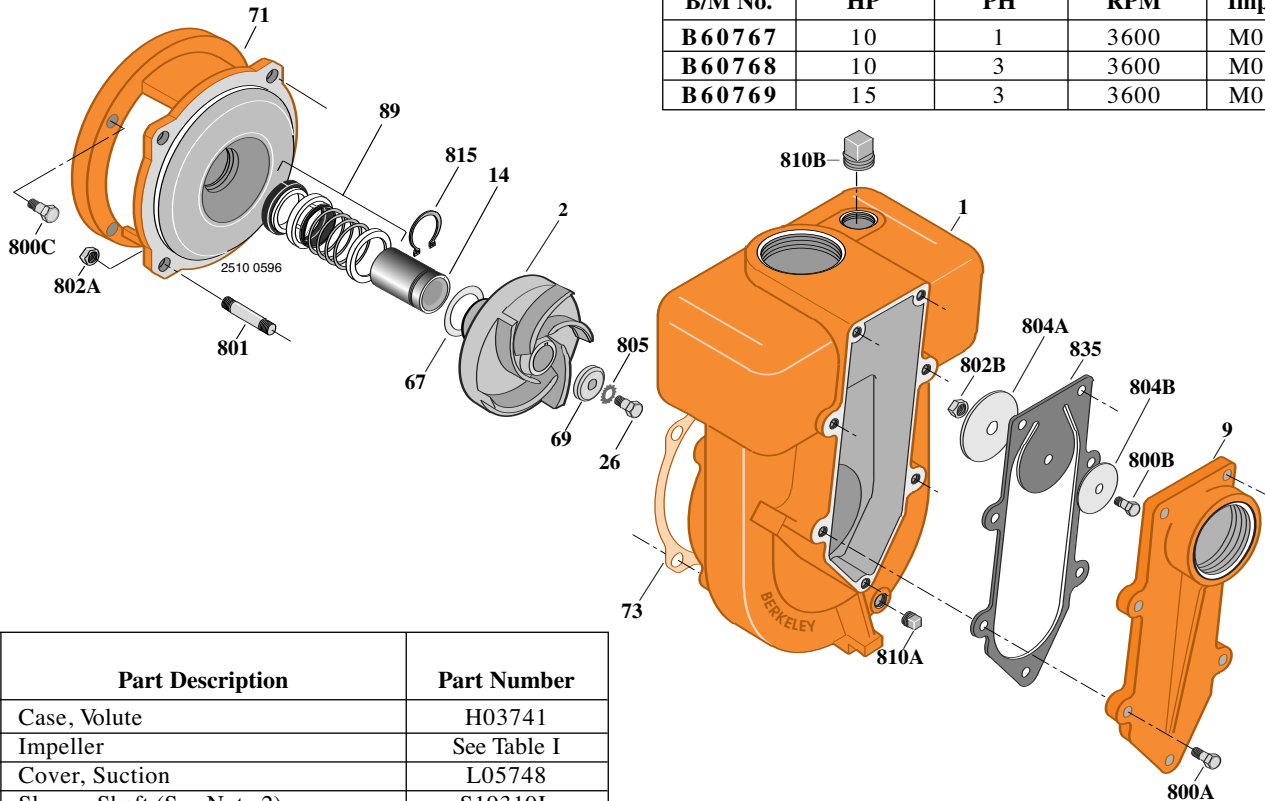
B3TPKS

Threaded Case (NPT)

Mechanical Seal Construction

TABLE I

| B/M No. | HP | PH | RPM | Imp. No. |
|---------------|----|----|------|----------|
| B60767 | 10 | 1 | 3600 | M07240 |
| B60768 | 10 | 3 | 3600 | M07240 |
| B60769 | 15 | 3 | 3600 | M07239 |



| Item No. | Part Description | Part Number |
|----------|-------------------------------------|--------------|
| 1 | Case, Volute | H03741 |
| 2 | Impeller | See Table I |
| 9 | Cover, Suction | L05748 |
| 14 | Sleeve, Shaft (See Note 2) | S19310L |
| 26 | Screw, Impeller | S23568 |
| 32 | Key, 3/16 x 1-1/4 (See Note 1) | S34383 |
| 67 | Spacer, Impeller | S15405 |
| 69 | Washer, Impeller Lock | S06314 |
| 71 | Bracket | See Table II |
| 73 | Gasket | S04757 |
| 73 | Gasket (As required) | S15049 |
| 89 | Seal, Mechanical Shaft | S32014 |
| 800A | Capscrew, 3/8 - 16 x 1-1/4 (7 Req.) | S26828 |
| 800B | Capscrew, 3/8 - 16 x 3/4 | S26824 |
| 800C | Capscrew, 1/2 - 13 x 1 (4 Req.) | S26912 |
| 801 | Stud, 1/2 - 13 x 1-1/2 (4 Req.) | S24043 |
| 802A | Nut, Hex 1/2 - 13 (4 Req.) | S23107 |
| 802B | Nut, Hex 3/8 - 16 | S23103 |
| 804A | Weight, Clack | S15325 |
| 804B | Weight, Clack | S14843 |
| 805 | Washer, Lock | S23036 |
| 810A | Plug, Pipe 1/4 NPT | S23715 |
| 810B | Plug, Pipe 1-1/4 NPT | S23694 |
| 815 | Ring, Retaining | S11207 |
| 835 | Clack, Rubber | L05749 |

TABLE II

| HP | PH | Bracket No. | "AK" Fit | "U" Dim. | Motor Frame |
|----|----|-------------|----------|----------|-------------|
| 10 | 1 | L05328 | 8-1/2 | 7/8 | 215JM |
| 10 | 3 | L05328 | 8-1/2 | 7/8 | 213JM |
| 15 | 3 | L05328 | 8-1/2 | 7/8 | 215JM |

NOTE 1: For an explanation of the tabulated material found on this page and for impeller key location, refer to *Supplement A* located at the beginning of section *CC*.

NOTE 2: Sleeve replacement kit available. Berkeley part number B85681 includes the shaft sleeve, adhesive compound and instruction sheet.



TYPE "B" SINGLE STAGE CENTRIFUGAL PUMP Electric Motor Drive Self Prime

| | |
|-------------------|--------------|
| Section | CC/SP |
| Page | 30.1 |
| Date | May 15, 2009 |
| Supersedes 1/1/04 | |

CAST IRON IMPELLER

B4TPKLS

Threaded Case (NPT)

Mechanical Seal Construction

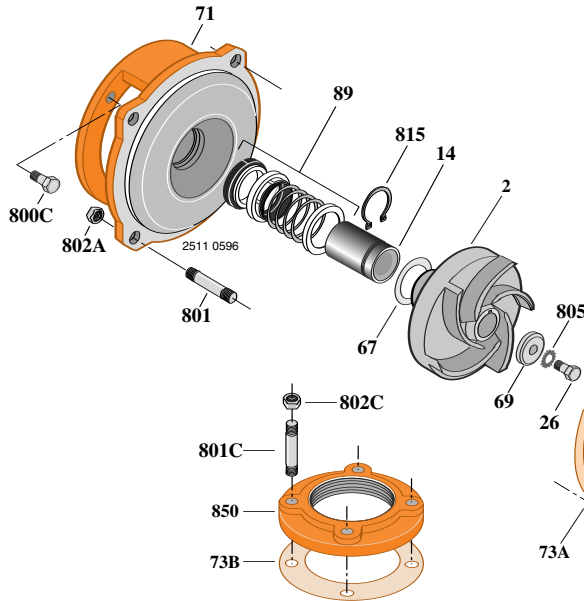
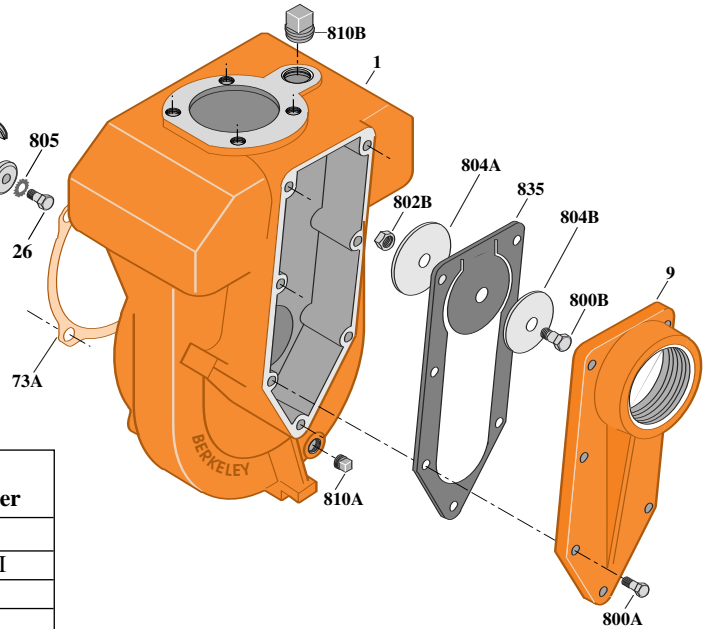


TABLE I

| B/M No. | HP | PH | RPM | Imp. No. |
|----------------|----|----|------|----------|
| B 54629 | 3 | 1 | 1800 | M05491 |
| B 54630 | 3 | 3 | 1800 | M05491 |



| Item No. | Part Description | Part Number |
|----------|-------------------------------------|--------------|
| 1 | Case, Volute | H02550 |
| 2 | Impeller | See Table I |
| 9 | Cover, Suction | L04108 |
| 14 | Sleeve, Shaft (See Note 2) | S19310L |
| 26 | Screw, Impeller | S23568 |
| 32 | Key, 3/16 x 1-1/2□(See Note 1) | S23500 |
| 67 | Spacer, Impeller | S15405 |
| 69 | Washer, Impeller Lock | S06314 |
| 71 | Bracket | See Table II |
| 73A | Gasket, Volute | S04757 |
| 73B | Gasket, Blind | S10364 |
| 89 | Seal, Mechanical Shaft | S32014 |
| 800A | Capscrew, 3/8 - 16 x 1-1/4□(7 Req.) | S26828 |
| 800B | Capscrew, 3/8 - 16 x 3/4□ | S26824 |
| 800C | Capscrew, 3/8 - 16 x 1□(4 Req.) | S26826 |
| 801A | Stud, 1/2 - 13 x 1-1/2□(4 Req.) | S24043 |
| 801B | Stud, 5/8 - 11 x 2-1/2□(4 Req.) | S24062 |
| 802A | Nut, Hex 1/2 - 13 (4 Req.) | S23107 |
| 802B | Nut, Hex 3/8 - 16 | S23103 |
| 802C | Nut, Hex 5/8 - 11 (4 Req.) | S23109 |
| 804A | Weight, Clack | S14842 |
| 804B | Weight, Clack | S15325 |
| 805 | Washer, Lock | S23036 |
| 810A | Plug, Pipe 1/2 NPT | S23717 |
| 810B | Plug, Pipe 1-1/4 NPT | S23694 |
| 815 | Ring, Retaining | S11207 |
| 835 | Clack, Rubber | L04119 |
| 850 | Flange, Companion | S15933 |

TABLE II

| HP | PH | Bracket No. | "AK" Fit | "U" Dim. | Motor Frame |
|----|----|-------------|----------|----------|-------------|
| 3 | 1 | L05329 | 4-1/2□ | 7/8□ | 184JM |
| 3 | 3 | L05329 | 4-1/2□ | 7/8□ | 182JM |

NOTE 1: For an explanation of the tabulated material found on this page and for impeller key location, refer to *Supplement A* located at the beginning of section *CC*.

NOTE 2: Sleeve replacement kit available. Berkeley part number B85681 includes the shaft sleeve, adhesive compound and instruction sheet.



TYPE "B" SINGLE STAGE CENTRIFUGAL PUMP Electric Motor Drive Self Prime

| | |
|-------------------|--------------|
| Section | CC/SP |
| Page | 40.1 |
| Date | May 15, 2009 |
| Supersedes 1/1/04 | |

CAST IRON IMPELLER

B4TPKHS

Threaded Case (NPT)

Mechanical Seal Construction

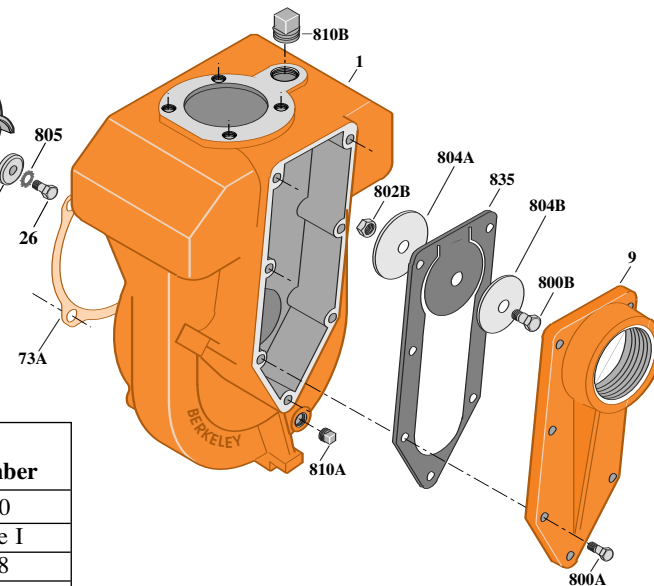
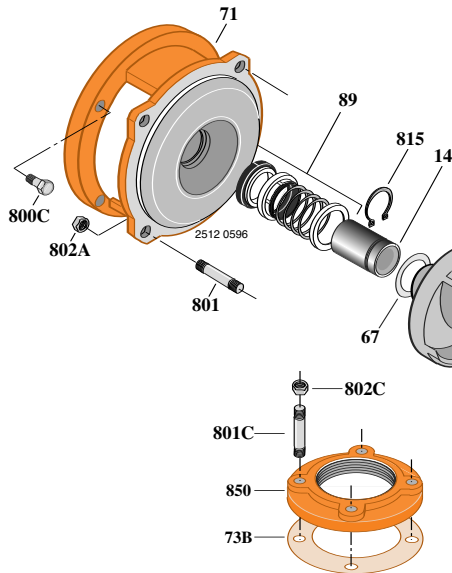


TABLE I

| B/M No. | HP | PH | RPM | Imp. No. |
|---------|----|----|------|----------|
| B 54631 | 5 | 1 | 1800 | M05524 |
| B 54632 | 5 | 3 | 1800 | M05524 |

| Item No. | Part Description | Part Number |
|----------|-------------------------------------|--------------|
| 1 | Case, Volute | H02550 |
| 2 | Impeller | See Table I |
| 9 | Cover, Suction | L04108 |
| 14 | Sleeve, Shaft (See Note 1) | S19310L |
| 26 | Screw, Impeller | S23568 |
| 32 | Key, 3/16 x 1-1/4 (See Note 1) | S34383 |
| 67 | Spacer, Impeller | S15405 |
| 69 | Washer, Impeller Lock | S06314 |
| 71 | Bracket | See Table II |
| 73A | Gasket, Volute | S04757 |
| 73B | Gasket, Blind | S10364 |
| 89 | Seal, Mechanical Shaft | S32014 |
| 800A | Capscrew, 3/8 - 16 x 1-1/4 (7 Req.) | S26828 |
| 800B | Capscrew, 3/8 - 16 x 3/4 | S26824 |
| 800C | Capscrew, 3/8 - 16 x 1 | S26826 |
| 800C | 4-1/2 AK (4 Req.) | |
| 800C | Capscrew, 1/2 - 13 x 1 | S26912 |
| 800C | 8-1/2 AK (4 Req.) | |
| 801A | Stud, 1/2 - 13 x 1-1/2 (4 Req.) | S24043 |
| 801B | Stud, 5/8 - 11 x 2-1/2 (4 Req.) | S24062 |
| 802A | Nut, Hex 1/2 - 13 (4 Req.) | S23107 |
| 802B | Nut, Hex 3/8 - 16 | S23103 |
| 802C | Nut, Hex 5/8 - 11 (4 Req.) | S23109 |
| 804A | Weight, Clack | S14842 |
| 804B | Weight, Clack | S15325 |
| 805 | Washer, Lock | S23036 |
| 810A | Plug, Pipe 1/2 NPT | S23717 |
| 810B | Plug, Pipe 1-1/4 NPT | S23694 |
| 815 | Ring, Retaining | S11207 |
| 835 | Clack, Rubber | L04119 |
| 850 | Flange, Companion | S15933 |

TABLE II

| HP | PH | Bracket No. | "AK" Fit | "U" Dim. | Motor Frame |
|----|----|-------------|----------|----------|-------------|
| 3 | 1 | L05328 | 8-1/2 | 7/8 | 213JM |
| 3 | 3 | L05329 | 4-1/2 | 7/8 | 184JM |

NOTE 1: For an explanation of the tabulated material found on this page and for impeller key location, refer to **Supplement A** located at the beginning of section **CC**.

NOTE 2: Sleeve replacement kit available. Berkeley part number B85681 includes the shaft sleeve, adhesive compound and instruction sheet.



TYPE "B" SINGLE STAGE CENTRIFUGAL PUMP Electric Motor Drive Self Prime

| | |
|-------------------|--------------|
| Section | CC/SP |
| Page | 50.1 |
| Date | May 15, 2009 |
| Supersedes 1/1/04 | |

CAST IRON IMPELLER

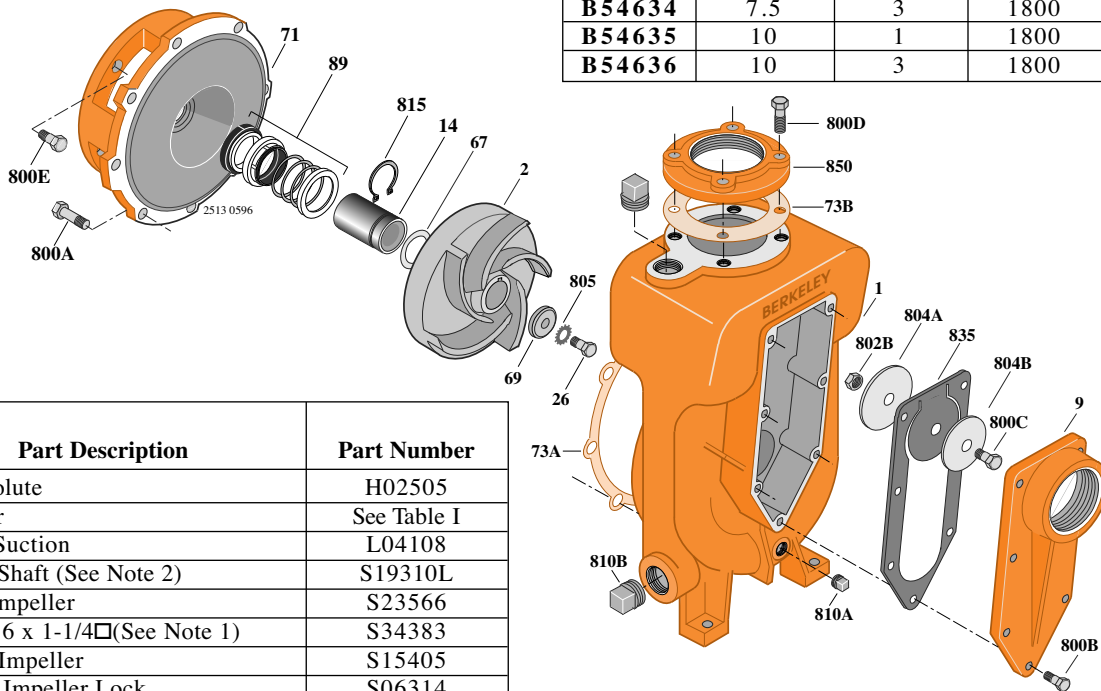
B4ZPKS

Threaded Case (NPT)

Mechanical Seal Construction

TABLE I

| B/M No. | HP | PH | RPM | Imp. No. |
|---------------|-----|----|------|----------|
| B58449 | 5 | 1 | 1800 | M07561 |
| B58450 | 5 | 3 | 1800 | M07561 |
| B54633 | 7.5 | 1 | 1800 | M05639 |
| B54634 | 7.5 | 3 | 1800 | M05639 |
| B54635 | 10 | 1 | 1800 | M05640 |
| B54636 | 10 | 3 | 1800 | M05640 |



| Item No. | Part Description | Part Number |
|----------|---|--------------|
| 1 | Case, Volute | H02505 |
| 2 | Impeller | See Table I |
| 9 | Cover, Suction | L04108 |
| 14 | Sleeve, Shaft (See Note 2) | S19310L |
| 26 | Screw, Impeller | S23566 |
| 32 | Key, 3/16 x 1-1/4" (See Note 1) | S34383 |
| 67 | Spacer, Impeller | S15405 |
| 69 | Washer, Impeller Lock | S06314 |
| 71 | Bracket | See Table II |
| 73A | Gasket, Volute | S05126 |
| 73B | Gasket, Blind | S10364 |
| 89 | Seal, Mechanical Shaft | S32014 |
| 800A | Capscrew, 3/8 - 16 x 1" (8 Req.) | S26826 |
| 800B | Capscrew, 3/8 - 16 x 1-1/4" (7 Req.) | S26828 |
| 800C | Capscrew, 3/8 - 16 x 1" | S26824 |
| 800D | Capscrew, 5/8 - 11 x 1-3/4" (4 Req.) | S27001 |
| 800E | Capscrew, 3/8 - 16 x 1-1/8" 4-1/2 AK (4 Req.) | S26827 |
| 800E | Capscrew, 1/2 - 13 x 1" 8-1/2 AK (4 Req.) | S26912 |
| 802 | Nut, Hex 3/8 - 16 | S23103 |
| 804A | Weight, Clack | S14842 |
| 804B | Weight, Clack | S15325 |
| 805 | Washer, Lock | S23036 |
| 810A | Plug, Pipe 1/4 NPT | S23717 |
| 810B | Plug, Pipe 1-1/4 NPT | S23695 |
| 815 | Ring, Retaining | S11207 |
| 835 | Clack, Rubber | L04119 |
| 850 | Flange, Companion | S15933 |

TABLE II

| HP | PH | Bracket No. | "AK" Fit | "U" Dim. | Motor Frame |
|-----|----|-------------|----------|----------|-------------|
| 5 | 1 | L05331 | 8-1/2" | 7/8" | 213JM |
| 5 | 3 | L05332 | 4-1/2" | 7/8" | 184JM |
| 7.5 | 1 | L05331 | 8-1/2" | 7/8" | 215JM |
| 7.5 | 3 | L05331 | 8-1/2" | 7/8" | 213JM |
| 10 | 1 | L05331 | 8-1/2" | 7/8" | 215JM |
| 10 | 3 | L05331 | 8-1/2" | 7/8" | 215JM |

NOTE 1: For an explanation of the tabulated material found on this page and for impeller key location, refer to **Supplement A** located at the beginning of section **CC**.

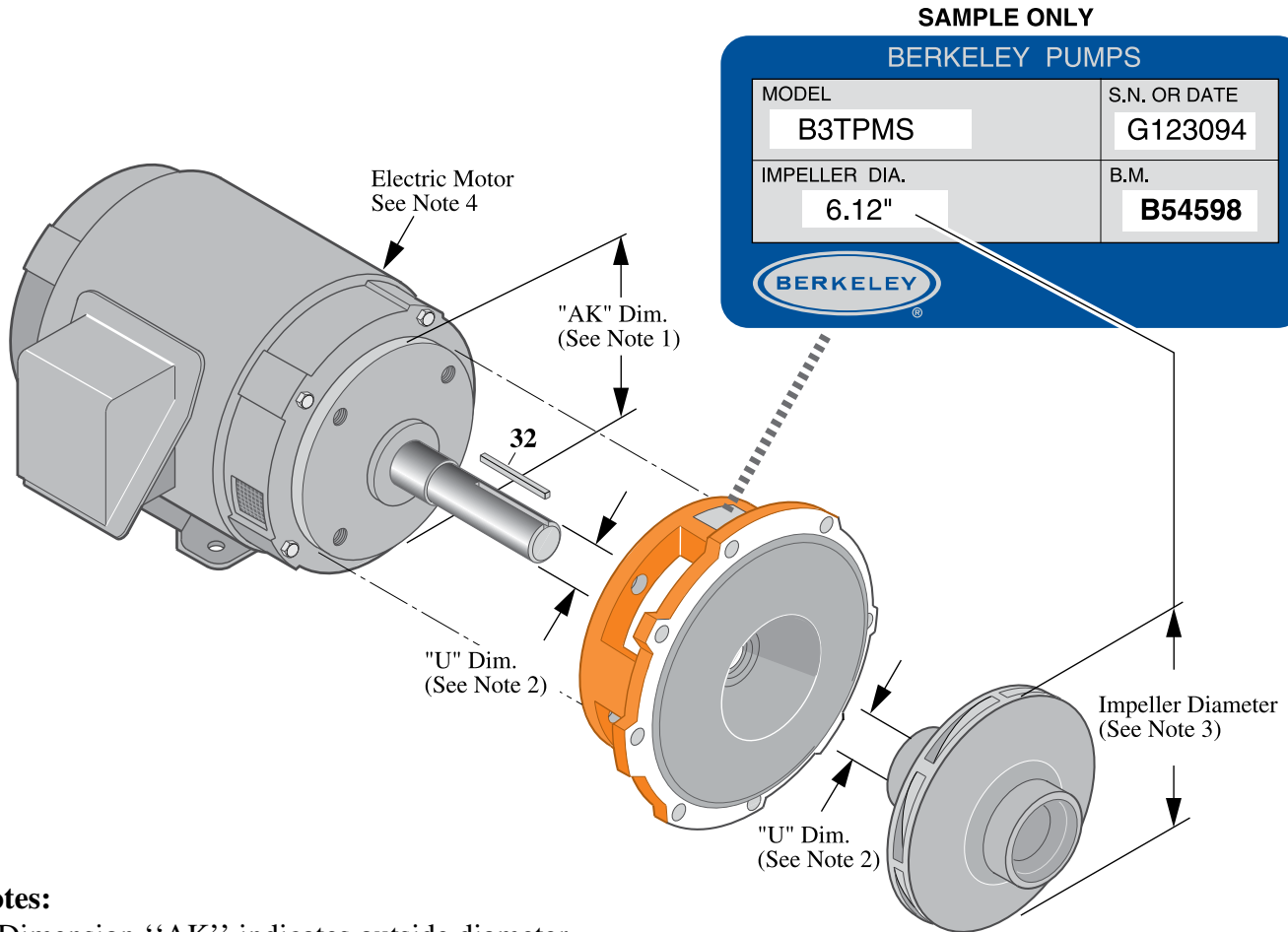
NOTE 2: Sleeve replacement kit available. Berkeley part number B85681 includes the shaft sleeve, adhesive compound and instruction sheet.



Type "B" Single Stage Centrifugal Pump Electric Motor Drive

| | |
|-------------------|--------------|
| Section | CC |
| Page | Supplement A |
| Date | July 1, 2011 |
| Supersedes 1/1/04 | |

Mechanical Shaft Seal Construction Packing Construction



Notes:

1. Dimension "AK" indicates outside diameter of male register fit on end of motor and is used in conjunction with motor frame size and motor bracket fit. Refer to TABLE II on parts sheets.
2. Dimension "U" indicates motor shaft diameter and nominal impeller shaft bore.
3. Impeller diameter shown in TABLE I of the parts sheets is the current catalog standard for each model and horsepower. When ordering impeller, specify diameter that is indicated on nameplate as shown above.
4. Electric motors are available for replacement, consult factory for information and availability.
NOTE: Shaft sleeve (Item 14) must be ordered with replacement motor, refer to individual parts listings for sleeve requirements.

Parts Ordering Information

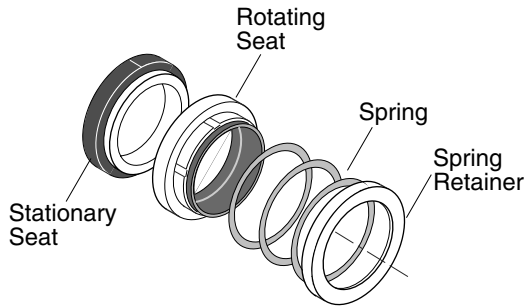
The diagrams and parts lists given on the following pages depict a typical pump configuration. It is most important that before calling in for repair instructions, or when ordering replacement parts, locate the Berkeley nameplate on the pump. It is affixed to the motor bracket, as shown here. Provide all nameplate data, especially the S.N OR DATE number and the B.M. (Bill of Material) number to ensure receiving correct parts.



TYPE "B" SINGLE STAGE CENTRIFUGAL PUMP Electric Motor Drive

| | |
|-------------------|-----------------|
| Section | CC |
| Supplement | B |
| Date | January 1, 2004 |
| Supersedes 6/1/95 | |

MECHANICAL SEAL CONSTRUCTION

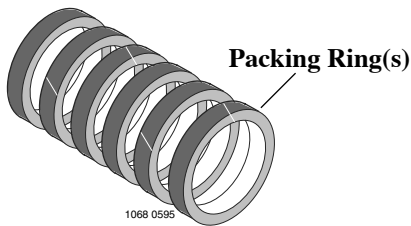


Typical Mechanical Seal

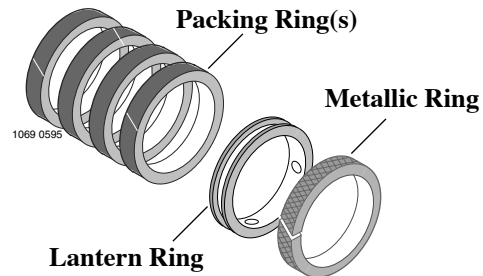
Standard Mechanical Seal/ Shaft Sleeve Combinations

| SEAL | | SLEEVE | |
|--------|----------------------|--------|---------------------------|
| P/N | Description | P/N | Description |
| S32013 | 1-1/4" Type 21 Long | S00619 | 1" I.D. x 1-1/4" O.D. |
| S32014 | 1-1/4" Type 21 Short | S19310 | 1" I.D. x 1-1/4" O.D. |
| S32015 | 1-3/4" Type 21 Short | S18869 | 1-3/8" I.D. x 1-3/4" O.D. |
| M10227 | 1-3/4" Type 2 | S18869 | 1-3/8" I.D. x 1-3/4" O.D. |
| S32016 | 2-1/8" Type 21 Long | S07073 | 1-3/4" I.D. x 2-1/8" O.D. |
| S39264 | 2-1/8" Type 21 Short | M09669 | 1-3/4" I.D. x 2-1/8" O.D. |
| S32697 | 2-3/4" Type 21 | S29517 | 2-1/4" I.D. x 2-3/4" O.D. |

PACKING CONSTRUCTION



Typical Packing Set - Soft Rings Only



Typical Packing Set With Soft Rings,
Lantern Ring, and Hard (Metallic) Ring

Standard Packing Sets Shown on Repair Parts Sheets

| Packing Set P/N | No. of Soft Rings | Metallic Ring | Ring I.D. | Ring O.D. | Cross Section |
|-----------------|-------------------|---------------|-----------|-----------|---------------|
| S14109 | 5 | None | 1-1/4" | 1-7/8" | 5/16" |
| S13469 | 6 | None | 1-1/4" | 1-7/8" | 5/16" |
| S15094 | 7 | None | 1-1/4" | 1-7/8" | 5/16" |
| S13435 | 4 | S11092 | 1-3/4" | 2-1/2" | 3/8" |
| S13470 | 6 | None | 1-3/4" | 2-1/2" | 3/8" |
| S13437 | 4 | S11093 | 2-1/8" | 2-7/8" | 3/8" |
| S13444 | 5 | S11093 | 2-1/8" | 2-7/8" | 3/8" |
| S16448 | 5 | S14327 | 2-3/4" | 3-3/4" | 1/2" |

NOTE: Part numbers given on repair parts sheets for packing rings reflects complete set of soft rings required for each model. Some models also require a hard (metallic) ring that is installed as shown above. Hard ring comes as part of the set, when required, and is in *addition* to the soft ring count shown (set of 5, set of 6, etc.). Metallic part number shown for reference only. Lantern Ring (item #29) is sold separately.



TYPE "B" SINGLE STAGE CENTRIFUGAL PUMP Electric Motor Drive

| | |
|-------------------|-----------------|
| Section | CC |
| Supplement | C1 |
| Date | January 1, 2004 |
| Supersedes 6/1/95 | |

COMPANION FLANGE KITS

3" NPT x 7-1/2" O.D.

| Key | Part Description | Part No. |
|-----|---|----------|
| 73 | Gasket | S10364 |
| 800 | Capscrew, 5/8 - 11 x 2-1/2" (4 Req.) | S27004 |
| 802 | Nut, Hex 5/8 - 11 (4 Req.) | S23109 |
| 850 | Flange, Companion, 125 lb. | S11788 |

B60129

4" NPT x 9" O.D.

| Key | Part Description | Part No. |
|-----|---|----------|
| 73 | Gasket | S10366 |
| 800 | Capscrew, 5/8 - 11 x 2-1/2" (8 Req.) | S27005 |
| 802 | Nut, Hex 5/8 - 11 (8 Req.) | S23109 |
| 850 | Flange, Companion, 125 lb. | S11790 |

B59870

4" NPT x 9" O.D.

| Key | Part Description | Part No. |
|-----|---|----------|
| 73 | Gasket | S10366 |
| 800 | Capscrew, 5/8 - 11 x 1-3/4" (8 Req.) | S27001 |
| 850 | Flange, Companion, 125 lb. | S11790 |

B74303

5" NPT x 10" O.D.

| Key | Part Description | Part No. |
|-----|-------------------------------------|----------|
| 73 | Gasket | S10367 |
| 800 | Capscrew, 3/4 - 10 x 3" (8 Req.) | S27333 |
| 802 | Nut, Hex 3/4 - 10 (8 Req.) | S23111 |
| 850 | Flange, Companion, 125 lb. | S11791 |

B59871

6" NPT x 11" O.D.

| Key | Part Description | Part No. |
|-----|-------------------------------------|----------|
| 73 | Gasket | S10368 |
| 800 | Capscrew, 3/4 - 10 x 3" (8 Req.) | S27333 |
| 802 | Nut, Hex 3/4 - 10 (8 Req.) | S23111 |
| 850 | Flange, Companion, 125 lb. | S11792 |

B59872



TYPE "B" SINGLE STAGE CENTRIFUGAL PUMP Electric Motor Drive

| | |
|-------------------|-----------------|
| Section | CC |
| Supplement | C2 |
| Date | January 1, 2004 |
| Supersedes 6/1/95 | |

COMPANION FLANGE KITS

8" NPT x 13-1/2" O.D.

| Key | Part Description | Part No. |
|-----|---|----------|
| 73 | Gasket | S10369 |
| 800 | Capscrew, 3/4 - 10 x 2-3/4" (8 Req.) | S27332 |
| 802 | Nut, Hex 3/4 - 10 (8 Req.) | S23111 |
| 850 | Flange, Companion, 125 lb. | S11793 |

B59873

10" NPT x 16" O.D.

| Key | Part Description | Part No. |
|-----|-------------------------------------|----------|
| 73 | Gasket | S10370 |
| 800 | Capscrew, 7/8 - 9 x 3" (12 Req.) | S23307 |
| 802 | Nut, Hex 7/8 - 9 (12 Req.) | S23113 |
| 850 | Flange, Companion, 125 lb. | S11794 |

B59874

5" NPT x 10" O.D.

| Key | Part Description | Part No. |
|-----|---|----------|
| 73 | Gasket | S10367 |
| 800 | Capscrew, 3/4 - 10 x 1-3/4" (8 Req.) | S27327 |
| 850 | Flange, Companion, 125 lb. | S11791 |

B59875

6" NPT x 10" O.D.

| Key | Part Description | Part No. |
|-----|---|----------|
| 73 | Gasket | S10367 |
| 800 | Capscrew, 3/4 - 10 x 2-1/4" (8 Req.) | S27330 |
| 850 | Flange, Companion, 125 lb. | S02178 |

B59876

6" NPT x 11" O.D.

| Key | Part Description | Part No. |
|-----|-------------------------------------|----------|
| 73 | Gasket | S10368 |
| 800 | Capscrew, 3/4 - 10 x 2" (8 Req.) | S27329 |
| 850 | Flange, Companion, 125 lb. | S11792 |

B59877

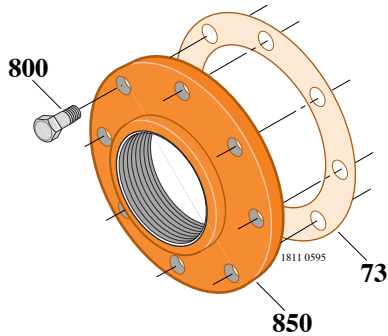


TYPE "B" SINGLE STAGE CENTRIFUGAL PUMP Electric Motor Drive

| | |
|-------------------|-----------------|
| Section | CC |
| Supplement | C3 |
| Date | January 1, 2004 |
| Supersedes 6/1/95 | |

COMPANION FLANGE KITS

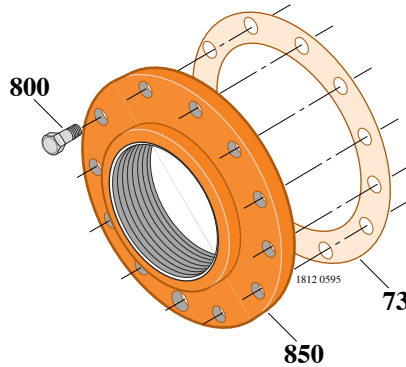
8" NPT x 13-1/2" O.D.



| Key | Part Description | Part No. |
|-----|-------------------------------------|----------|
| 73 | Gasket | S10369 |
| 800 | Capscrew, 3/4 - 10 x 2" (8 Req.) | S27329 |
| 850 | Flange, Companion, 125 lb. | S11793 |

B59878

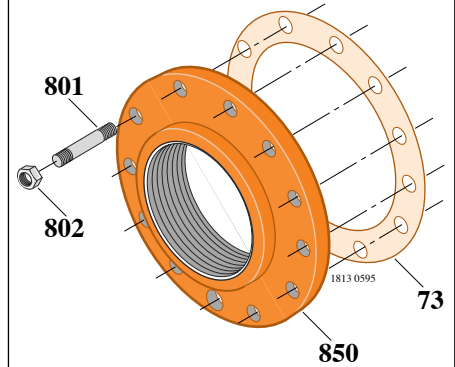
10" NPT x 16" O.D.



| Key | Part Description | Part No. |
|-----|-------------------------------------|----------|
| 73 | Gasket | S10370 |
| 800 | Capscrew, 7/8 - 9 x 2" (12 Req.) | S23303 |
| 850 | Flange, Companion, 125 lb. | S11794 |

B59879

12" NPT x 19" O.D.



| Key | Part Description | Part No. |
|-----|-------------------------------------|----------|
| 73 | Gasket | S10371 |
| 800 | Capscrew, 7/8 - 9 x 3" (12 Req.) | S23307 |
| 802 | Nut, Hex 7/8 - 9 (12 Req.) | S23113 |
| 850 | Flange, Companion, 125 lb. | S11795 |

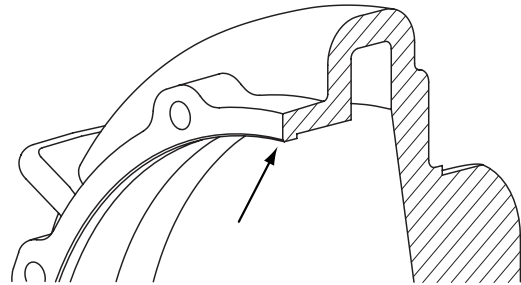
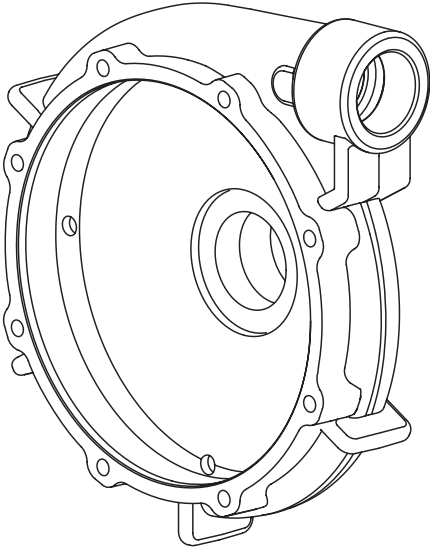
B59880



Type "B" Single Stage Centrifugal Pump Electric Motor Drive

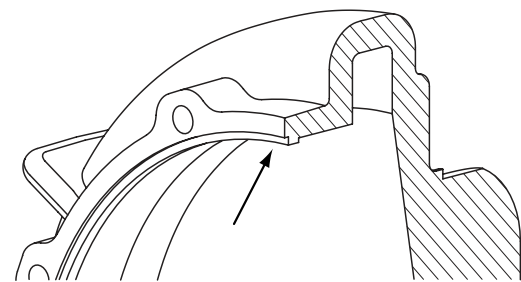
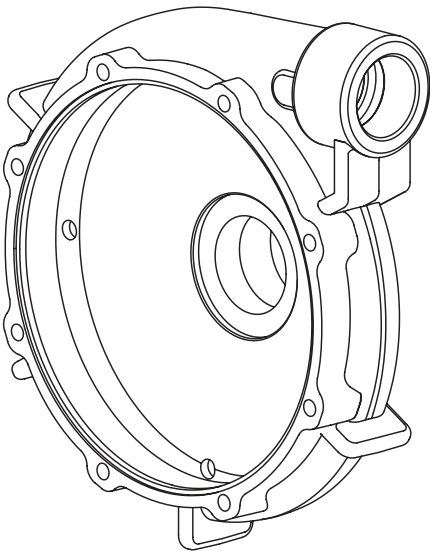
| | |
|-------------------|--------------|
| Section | CC |
| Page | Supplement E |
| Date | July 1, 2011 |
| Supersedes 1/1/04 | |

Volute Sealing: Gasket Only



Style 1: There is a small chamfer along the back face of the volute, but no circumferential o-ring groove. This volute can **ONLY** be sealed with a gasket.

Volute Sealing: O-ring or Gasket



Style 2: O-ring groove machined into back face of volute. This volute can be sealed with a gasket or with an o-ring.