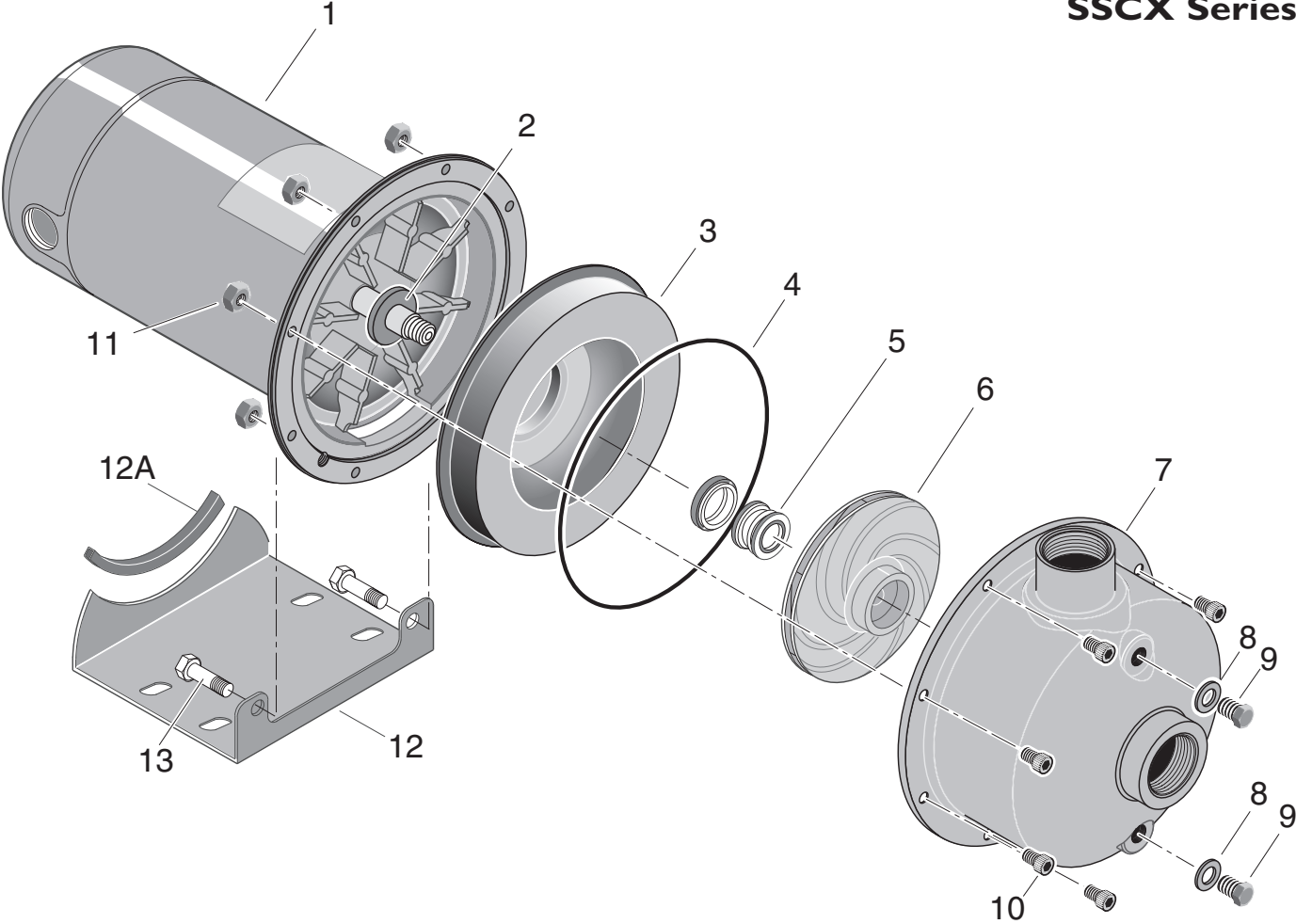


SSCX Series



Motor and Horsepower		SS1XN-1/2	SS1XN-3/4	SS1XN-1	SS1XN-11/2	SS11/4XN-2	SS11/4XN-21/2
Ref.	Description	Qty.	3/4 HP	1 HP	1-1/2 HP	2 HP	2-1/2 HP
1*	Motor, 115/230V/60 Hz., 1 Phase, ODP	1	B80441	B80442	B80443	B80444	B80445
	Motor, 115/230V/60 Hz., 1 Phase, TEFC	1	B80453	B80454	B80455	B80456	B80457
	Motor, 208-230/460V/60 Hz., 3 Phase, ODP	1	B80447	B80448	B80449	B80450	B80451
	Motor, 230/460V/60 Hz., 3 Phase, TEFC	1	B80459	B80460	B80461	B80462	B80463
2	Water Slinger	1	17351-0009	17351-0009	17351-0009	17351-0009	17351-0009
3	Seal Plate	1	C3-200SS	C3-200SS	C3-200SS	C3-200SS	C3-200SS
4	O-Ring**	1	111P0490	111P0490	111P0490	111P0490	111P0490
5	Shaft Seal***	1	U109-6A	U109-6A	U109-6A	U109-6A	U109-6A
6	Impeller - 1 Phase	1	C105-92PMS	C105-92PLS	C105-92PBSS	C105-214PCASS	C105-214PASS
	Impeller - 3 Phase	1	C105-92PMSA	C105-92PLSA	C105-92PBSSA	C105-214PCASS	C105-214PASS
•	Impeller Screw - 1 Phase	1	-	-	-	C30-14SS	C30-14SS
	Impeller Screw - 3 Phase	1	C30-14SS	C30-14SS	C30-14SS	C30-14SS	C30-14SS
7	Casing/Diffuser Assembly	1	723S2990	723S2990	723S2990	723S3370	723S3370
8	Washer	2	111P0990	111P0990	111P0990	111P0990	111P0990
9	Stainless Steel Plug	2	121P3780	121P3780	121P3780	121P3780	121P3780
10	Screw	8	121P0310	121P0310	121P0310	121P0310	121P0310
11	Nut, M6x1	8	U36-207SS	U36-207SS	U36-207SS	U36-207SS	U36-207SS
12	Base	1	J104-9F	J104-9F	J104-9F	J104-9F	J104-9F
	Base (1 Phase, TEFC only)	1	J104-9A	J104-9A	J104-9A	J104-9A	J104-9A
12A	Motor Pad	1	C35-5	C35-5	C35-5	C35-5	C35-5
13	Capscrews, 3/8-16x3/4"	2	U30-72SS	U30-72SS	U30-72SS	U30-72SS	U30-72SS

* For repair or service to motors, always give the motor Model Number and any other data found on the Motor Model Plate.

** Models B80427, B80428, B80429 and B80430 use Part Number U9-434.

*** Models B80427 and B80428 use Shaft Seal Number U109-432SS.

† Models B80429 and B80430 use Shaft Seal Number U9-437.

‡ These models use Motor Number B80445.

§ These models use Motor Number B80451.

• Not illustrated.