



BERKELEY®

INSTALLATION, OPERATION & PARTS MANUAL

Models 3PL, 5PL, 7PL, 10PL, 10PLS11C, 15PLS11C Convertible Jet Pumps

DESCRIPTION

Corrosion resistant convertible jet pumps (Models 3PL, 5PL, 7PL, 10PL, 10PLS11C and 15PLS11C) are adaptable to either shallow or deep well installations. A shallow well ejector (purchase separately) is used for suction lifts of 25 feet or less and can be used with drilled (cased) wells, driven well points, and cisterns or lakes. With a deep well ejector installed, the convertible jet pump can be used on wells up to 110' deep (depending on ejector package used). Pump is equipped with a capacitor start motor and a 30-50 psi preset pressure switch.

UNPACKING

Open carton and remove pump. Check for loose, missing, or damaged parts.

GENERAL SAFETY INFORMATION

READ AND FOLLOW SAFETY INSTRUCTIONS!

⚠ This is the safety alert symbol. When you see this symbol on your pump or in this manual, look for one of the following signal words and be alert to the potential for personal injury!

⚠ DANGER warns about hazards that **will** cause serious personal injury, death or major property damage if ignored.

⚠ WARNING warns about hazards that **can** cause serious personal injury, death or major property damage if ignored.

⚠ CAUTION warns about hazards that **will** or **can** cause minor personal injury or property damage if ignored.

NOTE: Indicates special instructions which are important but not related to hazards.

Carefully read and follow all safety instructions in this manual and on pump.

Keep safety labels in good condition.

Replace missing or damaged safety labels.

Electrical Safety

⚠ WARNING **Hazardous voltage. Can shock, burn, or cause death.** Ground pump before connecting to power supply. Disconnect power before working on pump, motor, or tank.

⚠ WARNING **Capacitor voltage may be hazardous.** To discharge motor capacitor, hold insulated handle screwdriver **BY THE HANDLE** and short capacitor terminals together. Do not touch metal screwdriver blade or capacitor terminals. If in doubt, consult a qualified electrician.

⚠ Wire motor for correct voltage. See "Electrical" section of this manual, motor nameplate, and diagram inside motor junction box cover.

⚠ Ground motor before connecting to power supply.

⚠ Meet United States National Electrical Code, Canadian Electrical Code, and local codes for all wiring.

⚠ Follow wiring instructions in this manual and in motor junction box when connecting motor to power lines.

General Safety

⚠ WARNING **Hazardous pressure!** Do not run pump against closed discharge. Release all pressure on system before working on any component.

⚠ CAUTION Do not touch an operating motor. Modern motors are designed to operate at high temperatures. To avoid burns when servicing pump, allow it to cool for 20 minutes after shut-down before handling.

Do not allow pump or any system component to freeze. To do so will void warranty.

Pump water only with this pump.

Periodically inspect pump and system components.

Wear safety glasses at all times when working on pumps.

Keep work area clean, uncluttered and properly lighted; properly store all unused tools and equipment.

Keep visitors at a safe distance from the work areas.

⚠ WARNING **Pump body may explode if used as a booster pump unless relief valve capable of passing full pump flow at 75 psi is installed.**

California Proposition 65 Warning

⚠ WARNING This product and related accessories contain chemicals known to the State of California to cause cancer, birth defects or other reproductive harm.

PERFORMANCE

TABLE I – 4” Double Pipe Deep Well Performance and Ejector Chart - Ejector Package BK4800

Feet to Water	Model 3PL Pressure in PSI					Model 5PL Pressure in PSI				
	20	30	40	50	60	20	30	40	50	60
	GPM with J32P-24 Venturi and #54 Nozzle					GPM with J32P-24 Venturi and #51 Nozzle				
30	9.8	7.2	4.5	2.2	–	10.0	8.8	6.5	4.1	2.1
40	8.3	5.8	3.5	1.4	–	9.0	7.5	5.1	3.0	1.0
50	7.0	4.5	2.3	–	–	8.3	6.4	4.0	2.0	–
60	5.5	3.3	1.3	–	–	6.8	5.0	3.0	1.0	–
70	–	–	–	–	–	5.6	4.0	1.8	–	–
80	–	–	–	–	–	4.0	2.5	0.75	–	–

TABLE II – 2” Single Pipe Deep Well Performance and Ejector Chart - Ejector Package BK4830, BK4840

Feet to Water	Model 3PL Pressure in PSI				Model 5PL Pressure in PSI			
	20	30	40	50	20	30	40	50
	GPM with J32P-24 Venturi and #54 Nozzle				GPM with J32P-24 Venturi and #54 Nozzle			
30	9.7	7.0	4.5	2.8	10.0	8.6	6.2	3.8
40	8.1	5.4	3.3	2.3	8.8	7.25	4.8	2.75
50	6.7	4.0	2.6	1.7	8.5	6.0	5.5	1.6
					GPM with J32P-18 Venturi and #52 Nozzle			
60	3.8	2.9	2.0	1.1	4.2	3.3	2.6	1.9
70	3.2	2.3	1.5	0.7	3.6	2.8	2.1	1.3
80	–	–	–	–	3.0	2.25	1.6	1.0
90	–	–	–	–	2.5	1.75	1.2	0.6
100	GPM with J32P-18 Venturi and #52 Nozzle				2.0	1.3	.75	–

TABLE III – Shallow Well Performance and Ejector Chart - Ejector Package BK4875

Feet to Water	Model 3PL Pressure in PSI					Model 5PL Pressure in PSI				
	20	30	40	50	60	20	30	40	50	60
	GPM with J32P-72 Venturi and #51 Nozzle					GPM with J32P-63 Venturi and #51 Nozzle				
5	9.5	9.2	9.0	5.8	3.0	16.2	15.8	15.3	8.7	1.3
10	8.2	8.0	7.8	5.2	2.3	14.2	14.0	13.8	7.2	–
15	7.2	6.8	6.8	4.5	1.8	12.2	12.0	11.8	5.3	–
20	5.7	5.7	5.7	3.8	–	9.7	9.7	9.2	3.7	–
25	4.3	4.3	4.3	3.2	–	7.2	6.8	6.8	–	–

PERFORMANCE

TABLE IV – 4” Double Pipe Deep Well Performance and Ejector Chart - Ejector Package BK4800

Feet to Water	Model 7PL, 10PLS11C Pressure in PSI					Model 10PL, 15PLS11C Pressure in PSI				
	20	30	40	50	60	20	30	40	50	60
	GPM with J32P-24 Venturi and #51 Nozzle					GPM with J32P-28 Venturi and #55 Nozzle				
30	11.0	10.0	8.4	6.6	4.8	24.5	19.0	13.2	9.4	7.2
40	9.6	9.6	7.25	4.5	3.6	19.0	14.5	9.5	7.5	5.6
50	9.5	8.1	6.2	4.5	2.75	13.0	9.75	8.0	6.2	4.3
60	8.2	6.6	5.0	3.3	1.9	10.0	8.2	6.5	4.8	3.0
70	7.2	5.7	4.1	2.5	1.0	8.4	7.0	5.3	3.6	2.0
						GPM with J32P-22 Venturi and #53 Nozzle				
80	5.4	3.9	2.9	1.5	–	6.2	5.5	4.4	2.9	1.4
90	4.2	3.2	2.0	.75	–	5.0	4.4	3.2	1.9	–
100	–	–	–	–	–	3.5	3.2	2.2	1.1	–
110	–	–	–	–	–	2.5	2.25	1.5	–	–

TABLE V – 2” Single Pipe Deep Well Performance and Ejector Chart - Ejector Package BK4830, BK4840

Feet to Water	Model 7PL, 10PLS11C Pressure in PSI				Model 10PL, 15PLS11C Pressure in PSI			
	20	30	40	50	20	30	40	50
	GPM with J32P-29 Venturi and #54 Nozzle				GPM with J32P-29 Venturi and #54 Nozzle			
30	17.8	14.4	10.6	6.4	18.6	15.6	12.3	8.7
40	9.2	11.0	7.4	4.7	15.25	12.4	9.2	6.0
50	8.5	6.0	3.7	1.6	12.3	9.0	6.4	3.2
	GPM with J32P-18 Venturi and #52 Nozzle				GPM with J32P-29 Venturi and #54 Nozzle			
60	5.5	3.75	3.75	3.0	9.75	7.0	4.7	1.1
	GPM with J32P-18 Venturi and #52 Nozzle				GPM with J32P-18 Venturi and #52 Nozzle			
70	5.0	4.1	3.25	2.5	5.1	4.3	3.7	3.0
80	4.3	3.5	2.7	2.0	4.6	3.9	3.25	2.6
90	3.75	3.0	2.25	1.5	4.0	3.3	2.75	2.1
100	3.25	2.5	1.75	1.1	3.6	3.0	2.4	1.75
110	2.5	1.8	1.25	0.7	2.75	2.25	1.75	1.25

TABLE VI – Shallow Well Performance and Ejector Chart - Ejector Package BK4875

Feet to Water	Model 10PLS11C Pressure in PSI					Model 15PLS11C Pressure in PSI				
	20	30	40	50	60	20	30	40	50	60
	GPM with N32P-64 Venturi and #54 Nozzle					GPM with N32P-65 Venturi and #51 Nozzle				
5	21.3	21.0	20.7	13.2	4.2	26.3	26.2	26.2	21.3	8.0
10	18.8	18.7	18.3	11.1	1.7	23.7	23.3	23.2	19.2	3.5
15	16.0	15.8	15.7	8.9	–	20.3	20.2	20.0	16.3	–
20	12.8	12.7	12.3	5.7	–	16.2	16.0	15.8	11.2	–
25	8.5	8.5	8.5	–	–	11.5	11.3	11.3	–	–

SPECIFICATIONS

Horsepower (3PL).....	1/3
(5PL).....	1/2
(7PL).....	3/4
(10PL).....	1
(10PLS11C).....	1
(15PLS11C).....	1-1/2
Volts @ 60 Hz.	115/230
Phase	1
Motor connected for.....	230V
Pressure Switch Setting	30-50 PSI
Height	11-3/4"
Width	10-3/4"
Length (3PL).....	17"
(5PL).....	17-3/4"
(7PL, 10PLS11C).....	18-1/4"
(10PL, 15PLS11C).....	18-3/4"
Port Size - Inlet.....	1-1/4"
Port Size - Outlet.....	1"
Weight (3PL).....	27 lbs.
(5PL).....	28 lbs.
(7PL, 10PLS11C)	30 lbs.
(10PL, 15PLS11C).....	36 lbs.

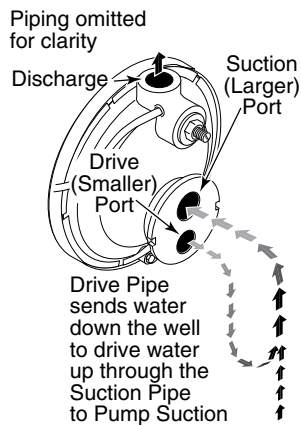


Figure 1 – Drive and Suction Functions

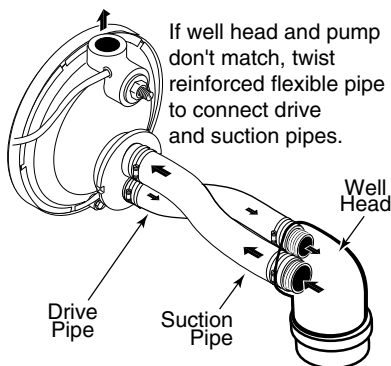


Figure 2 – Reversed Connections to Well

INSTALLATION

Replacing An Existing Pump

DEEP WELL

▲ WARNING Hazardous voltage. Disconnect power to pump before working on pump or motor.

1. Drain and remove the old pump. Check pipe for scale, lime, rust, etc., and replace it if necessary.
2. If your old pump has the suction pipe (the larger port – See Figure 1) below the drive port, you will need to install flexible pipe between the well head and the pump so that the connection will be correct (See Figure 2).

NOTE: Your old ejector (in the well) may not be properly matched to your new pump. If the pump does not perform properly, we recommend that you install a Berkeley ejector package to match your pump and well.

3. Install the pump in the system. Make sure that all pipe joints in the suction pipe are air-tight as well as water tight. If the suction pipe can suck air, the pump will not be able to pull water from the well.
4. Adjust the pump mounting height so that the plumbing connections do not put a strain on the pump body. Support the pipe so that the pump body does not take the weight of piping or fittings.

SHALLOW WELL

▲ WARNING Hazardous voltage. Disconnect power to pump before working on pump or motor.

1. Drain and remove the old pump. Check the old pipe for scale, lime, rust, etc., and replace it if necessary.
2. Install Berkeley ejector kit Model BK4875 (kits are sold separately). Follow the instructions provided with the kit. Be sure to align the venturi with the top hole on the front of the pump (See Figure 3).

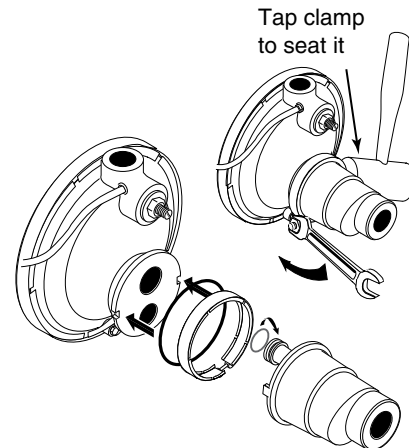


Figure 3 – Mount Ejector – Shallow Well

NOTE: Always replace the ejector when replacing the pump in a shallow well installation.

3. Install the pump in the system. Make sure that all pipe joints in the suction pipe are air-tight as well as water tight. If the suction pipe can suck air, the pump will not be able to pull water from the well.
4. Adjust the pump mounting height so that the plumbing connections do not put a strain on the pump body. Support the pipe so that the pump body does not take the weight of piping or fittings.

New Shallow Well, Driven Point Installation (Figure 4)

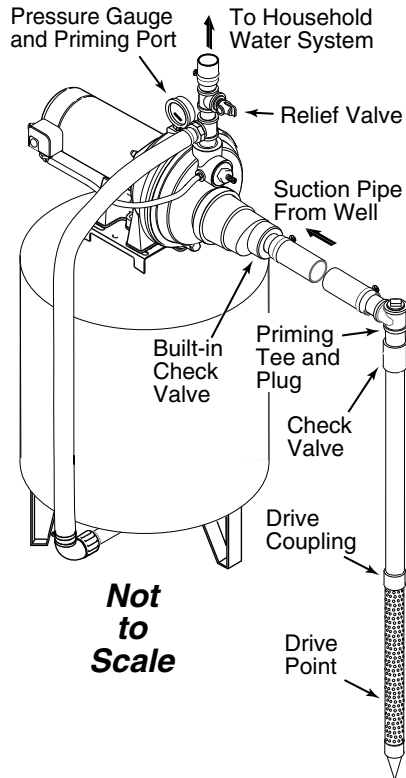


Figure 4 – Driven Point Installation

1. Install Berkeley ejector kit BK4875 (kits are sold separately). Follow the instructions provided with the kit. Align the venturi with the top hole on the front of the pump (See Figure 3).
2. Drive the well, using “drive couplings” and a “drive cap”. “Drive fittings” are threaded all the way through and allow the pipe ends to butt against each other so that the driving force of the maul is carried by the pipe and not by the threads. The ordinary fittings found in hardware stores are not threaded all the way through the fitting and can collapse under impact. “Drive fittings” are also smoother than standard plumbing fittings, making ground penetration easier.
3. Mount the pump as close to the well as possible.
4. Use the fewest possible fittings (especially elbows) when connecting the pipe from the well point to the pump suction port. The suction pipe should be at least as large as the suction port on the pump (include a check valve – See Figure 4). Support the pipe so that there are no dips or sags in the pipe, so it doesn’t strain the pump body, and so that it slopes slightly upward from the well to the pump (high spots can cause air pockets which can air lock the pump). Seal the suction pipe joints with PTFE pipe thread sealant tape approved for use on PVC. Joints must be air- and water-tight. If the suction pipe can suck air, the pump cannot pull water from the well. If one well point does not supply enough water, consider connecting two or three well points to one suction pipe.

Cased Well Installation, 2” or Larger Casing (Figure 5)

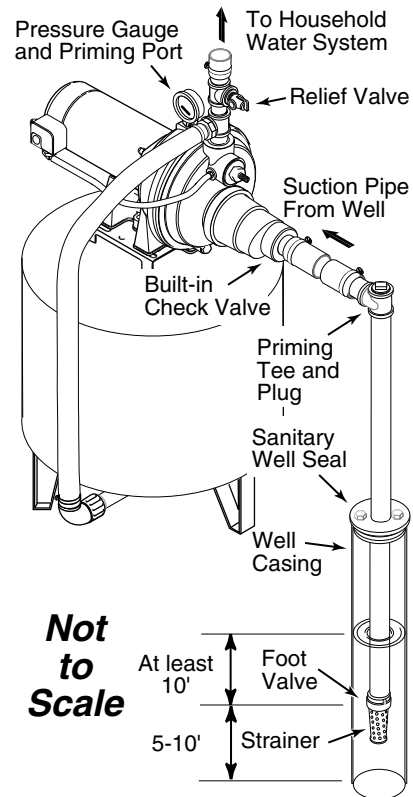


Figure 5 – Cased Well Installation

1. Install Berkeley ejector kit BK4875 (kits are sold separately). Follow the instructions provided with the kit. Align the venturi with the top hole on the front of the pump (See Figure 3).
2. Mount the pump as close to the well as possible.
3. Assemble the foot valve, strainer, and well pipe (See Figure 5). Make sure that the foot valve works freely.
4. Lower the pipe into the well until the strainer is five feet above the bottom of the well. It should also be at least 10 feet below the well’s water level while the pump is running in order to prevent the pump from sucking air. Install a sanitary well seal.
5. Install a priming tee, priming plug, and suction pipe to the pump (See Figure 5). Connect the pipe from the well to the pump suction port, using the fewest possible fittings (especially elbows) as fittings increase friction in the pipe. The suction pipe should be at least as large as the suction port on the pump. Use PTFE pipe thread sealant tape on threaded pipe joints. Support the pipe so that there are no dips or sags in the pipe, so it doesn’t strain the pump body, and so that it slopes slightly upward from the well to the pump (high spots can cause air pockets which can air lock the pump). Seal the suction pipe joints with PTFE pipe thread sealant tape. Joints must be air and water-tight. If the suction pipe can suck air, the pump cannot pull water from the well.

INSTALLATION FOR SURFACE WATER

1. Install Berkeley ejector kit BK4875 (sold separately). Follow the instructions provided with the kit. Align the venturi with the top hole on the front of the pump (See Figure 6).

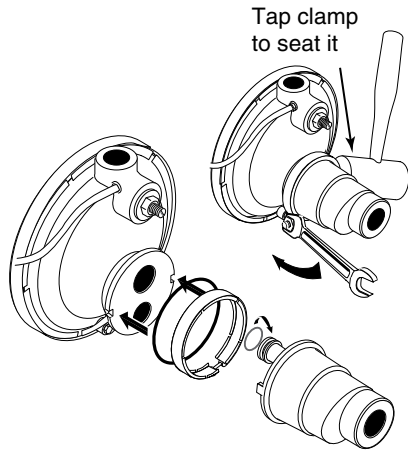


Figure 6 – Install Ejector

2. The pump should be installed as close to the water as possible, with the fewest possible fittings (especially elbows) in the suction pipe. The suction pipe should be at least as large as the suction port on the pump.
3. Assemble a foot valve and suction pipe (See Figure 7). Make sure that the foot valve works freely. Use PTFE pipe thread sealant tape on threaded pipe joints. Protect the foot valve assembly from fish, trash, etc. by installing a screen around it (See Figure 7).

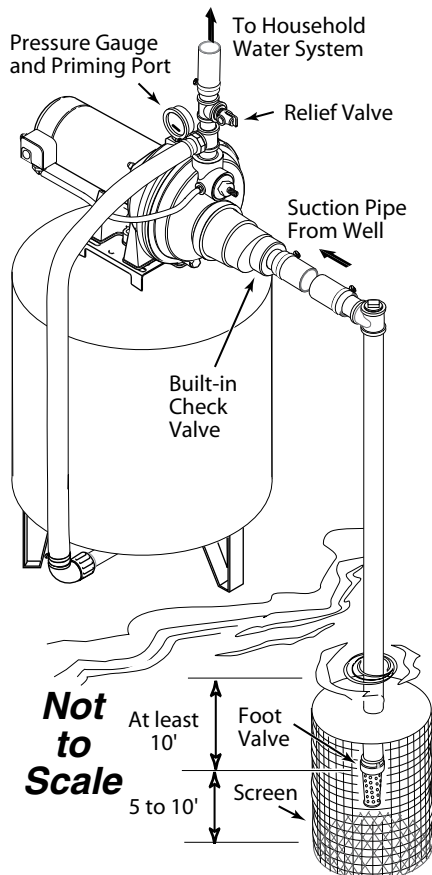


Figure 7 – Surface Water Installation

4. Lower the pipe into the water until the strainer is five feet above the bottom. It should also be at least 10 feet below the water level while the pump is running in order to prevent the pump from sucking air.
5. Install a priming tee, priming plug, and suction pipe to the pump (See Figure 7). Support the pipe so that there are no dips or sags in the pipe, so it doesn't strain the pump body, and so that it slopes slightly upward from the well to the pump (high spots can cause air pockets which can air lock the pump). Seal the suction pipe joints with PTFE pipe thread sealant tape. Joints must be air and water-tight. If the suction pipe can suck air, the pump cannot pull water from the well.

New Deep Well 4" Or Larger Well (Figure 8)

1. Assemble Berkeley ejector kit BK4800 (sold separately). Follow the instructions included with the kit in order to match the nozzle and venturi to your well conditions.
2. Mount the pump as close to the well as possible.
3. Connect two pipes (1" drive, 1-1/4" suction) to the ejector and lower the ejector into the well until it is five feet from the bottom. It should also be at least 10 feet below the well's water level while the pump is running in order to prevent the pump from sucking air.
4. Install a sanitary well seal and connect the ejector piping to the pump. Flexible poly pipe is recommended for ease of installation. However, use steel nipples through the well seal as tightening the well seal on plastic pipe can crush the pipe.
5. Support the pipe so that there are no dips or sags in the pipe, so it doesn't strain the pump body, and so that it slopes slightly upward from the well to the pump (high spots can cause air pockets which can air lock the pump). Seal the suction pipe joints with PTFE pipe thread sealant tape. Joints must be air and water-tight. If the suction pipe can suck air, the pump cannot pull water from the well.

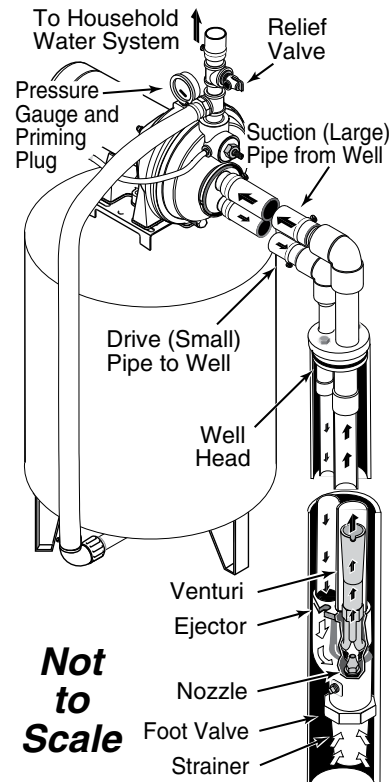


Figure 8 – 4" and Larger Deep Well

New Deep Well 2" Well (Figure 9)

1. Mount the pump as close to the well as possible.
2. Assemble Berkeley ejector kit BK4840 (sold separately), well piping, and well head adapter according to the instructions provided with the ejector package (See Figure 9.) Use galvanized drop pipe with turned couplings to allow proper flow. Follow the instructions included with the kit in order to match the nozzle and venturi to your well conditions.
3. Run two pipes (one smaller drive pipe, one larger suction pipe) from the well to the pump. Support the pipe so that there are no dips or sags in the pipe, so it doesn't strain the pump body, and so that it slopes slightly upward from the well to the pump (high spots can cause air pockets which can air lock the pump). Seal the suction pipe joints with PTFE pipe thread sealant tape. Joints must be air and water-tight. If the suction pipe can suck air, the pump cannot pull water from the well.

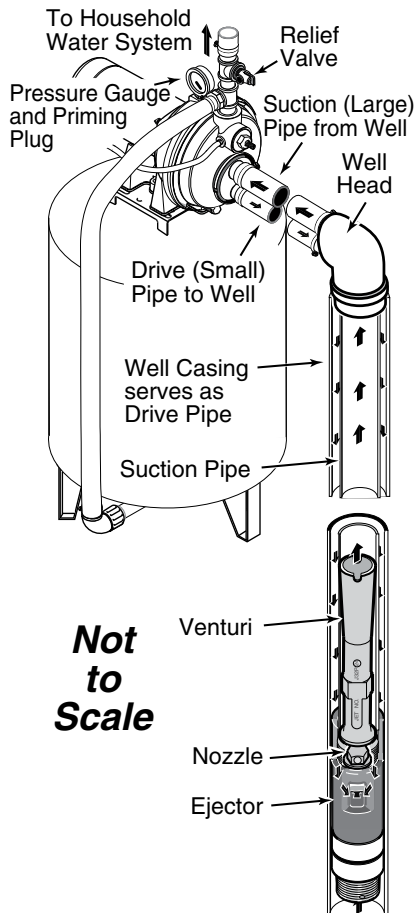


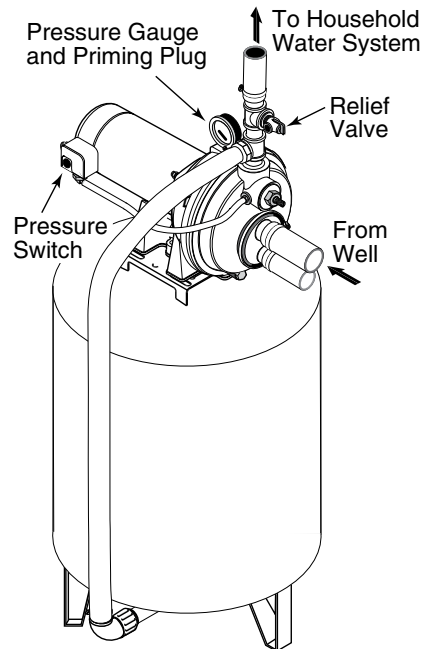
Figure 9 – 2" (Single Pipe) Deep Well

Discharge Pipe and Pressure Tank Connections

PRE-CHARGE TANK CONNECTION (FIGURE 10)

1. Install a close nipple and a tee in the pump discharge port (See Figure 10). The pipe size must be at least as large as the discharge port. Run a pipe or reinforced hose from one arm of the tee to the port on the pre-charged tank.
2. Install a second close nipple and tee with a relief valve in the tee.
3. Connect the other end of the second discharge tee to your plumbing system.
4. Check the pre-charge of air in the tank with an ordinary tire gauge. The pre-charge should be 2 psi less than the

cut-in setting of the pump's pressure switch. The pre-charge is measured when there is no water pressure in the tank. Your new pump has a 30/50 psi switch, so adjust the tank pre-charge pressure to 28 psi.

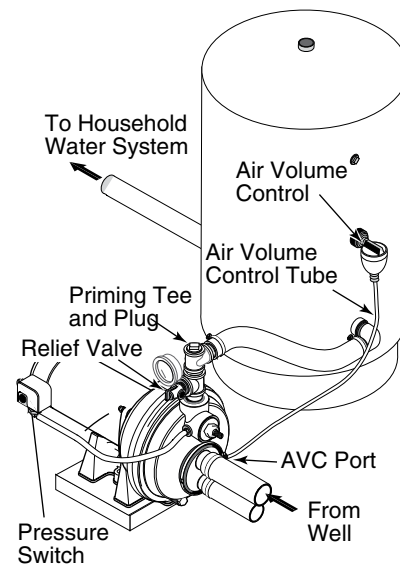


268 0395 NF

Figure 10 – Pre-charged Tank Connections

STANDARD TANK CONNECTION (FIGURE 11)

1. Install a close nipple and a tee in the pump discharge port. Mount a relief valve in one arm of the tee.
2. Install a second close nipple and tee in the open arm of the first tee. Put a priming plug in one arm of the second tee.
3. Run a pipe from the open arm of the second tee to the inlet port of your tank. The pipe size must be at least as large as the pump discharge port.
4. Remove the 1/8" NPT pipe plug from the pump Air Volume Control (AVC) port (See Figure 11). Run tubing from the pump's AVC port to the port on the AVC mounted on the tank. See instructions provided with tank and AVC for details.



276 0395 NF

Figure 11 – Standard Tank Connections

ELECTRICAL INSTALLATION

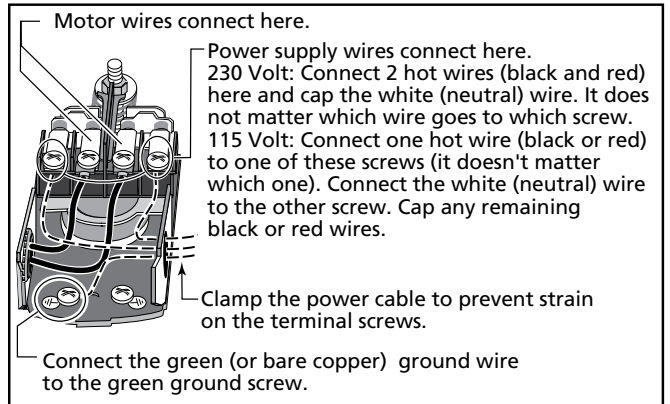
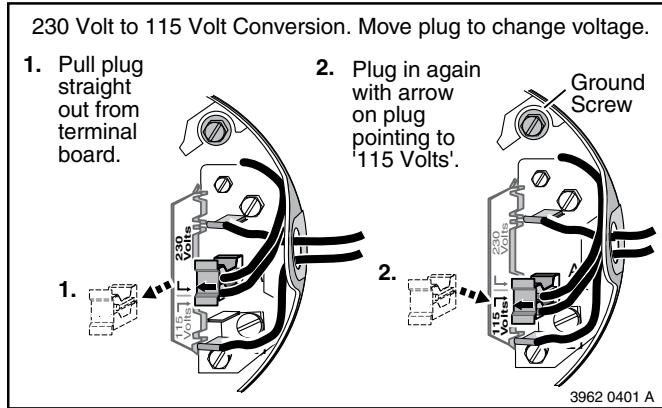
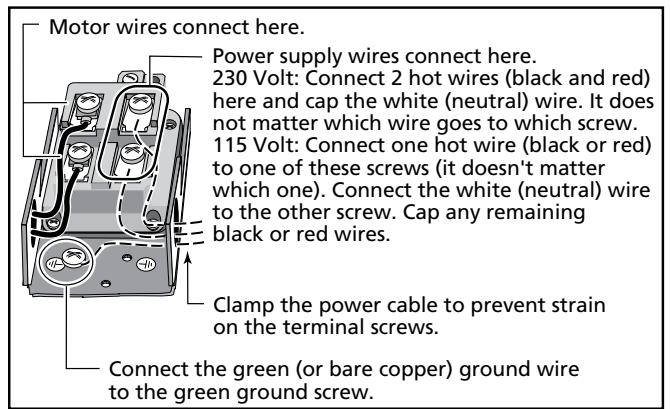
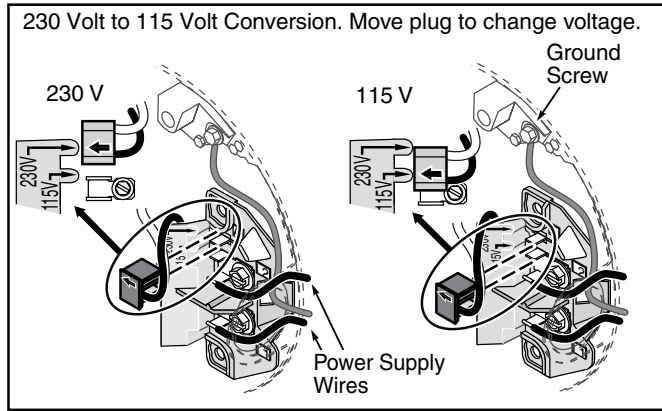


Figure 12 – Motor wiring connections through Pressure Switch. Match motor voltage to line voltage.

⚠ WARNING Hazardous voltage. Disconnect power before working on pump, motor, pressure switch, or wiring.

Your Motor Terminal Board (under the motor end cover) and Pressure Switch look like one of those shown above. Convert to 115 Volts as shown. Do not change motor wiring if line voltage is 230 Volts or if you have a single voltage motor. Connect power supply as shown for your type of switch and your supply voltage.

⚠ WARNING Hazardous voltage. Can shock, burn, or kill. Connect ground wire before connecting power supply wires. Use the wire size (including the ground wire) specified in the wiring chart (Page 10). If possible, connect the pump to a separate branch circuit with no other appliances on it.

⚠ WARNING Explosion hazard. Do not ground to a gas supply line.

Wiring Connections

⚠ WARNING Fire hazard. Incorrect voltage can cause a fire or seriously damage the motor and voids the warranty. The supply voltage must be within $\pm 10\%$ of the motor nameplate voltage.

NOTE: Dual-voltage motors are factory wired for 230 volts. If necessary, reconnect the motor for 115 volts, as shown. Do not alter the wiring in single voltage motors.

Install, ground, wire, and maintain your pump in compliance with the United States National Electrical Code (NEC) or the Canadian Electrical Code (CEC), as applicable, and with all local codes and ordinances that apply. Consult your local building inspector for code information.

Connection Procedure

1. Connect the ground wire first as shown in Figure 12. The ground wire must be a solid copper wire at least as large as the power supply wires.
2. There must be a solid metal connection between the pressure switch and the motor for motor grounding protection. If the pressure switch is not connected to the motor, connect the green ground screw in the switch to the green ground screw under the motor end cover. Use a solid copper wire at least as large as the power supply wires.
3. Connect the ground wire to a grounded lead in a service panel, to a metal underground water pipe, to a metal well casing at least ten feet (3M) long, or to a ground electrode provided by the power company or the hydro authority.
4. Connect the power supply wires to the pressure switch as shown in Figure 12.

WIRING CHART – RECOMMENDED WIRE AND FUSE SIZES

Model	Volts	Max. Load Amps	Branch Fuse Rating Amps*	Distance in Feet from Motor to Supply				
				0 - 100	101 - 200	201 - 300	301 - 400	401 - 500
3PL	115/230	8.8/4.4	15/15	14/14	12/14	10/14	8/14	8/12
5PL	115/230	12.2/6.1	20/15	12/14	10/14	8/14	6/12	6/12
7PL	115/230	14.8/7.4	20/15	12/14	8/14	6/14	6/12	4/10
10PL	115/230	16.2/8.1	25/15	10/14	8/14	6/14	6/12	4/10
10PLS11C	115/230	14.8/7.4	20/15	12/14	8/14	6/14	6/12	4/10
15PLS11C	115/230	16.2/8.1	25/15	10/14	8/14	6/14	6/12	4/10

* Time delay fuse or circuit breakers are recommended in any motor circuit.

OPERATION

Preparing to Start the Pump – Deep Well

CAUTION Never run pump dry. Running pump without water may cause pump to overheat, damaging seal and possibly causing burns to persons handling pump. Fill pump with water before starting.

WARNING Never run pump against closed discharge. To do so can boil water inside pump, causing hazardous pressure in unit, risk of explosion and possibly scalding persons handling pump.

1. Open the control valve as far as possible (See Figure 13). Then remove the priming plug from the pump and fill the pump, fill all piping between the pump and the well, and make sure that all piping in the well is full. If you have also installed a priming tee in the suction piping, remove the plug from the tee and fill the suction piping.

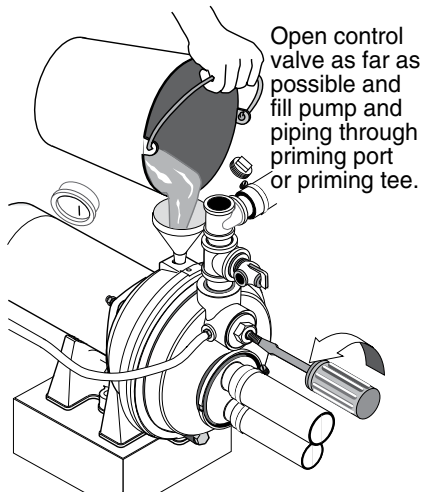


Figure 13 – Fill Pump

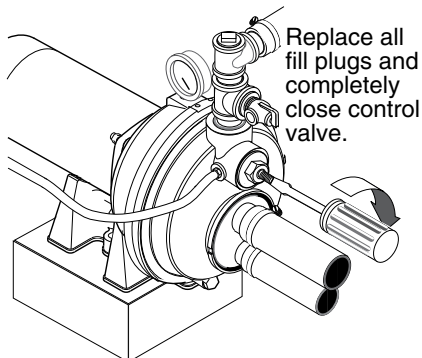


Figure 14 – Prime Pump

2. Replace all fill plugs and close the control valve completely (See Figure 14).
3. Power on! Start the pump and watch the pressure gauge. The pressure should build rapidly to 50 psi as the pump primes.
4. After 2 or 3 minutes, the gauge should show pressure. If not, stop the pump, remove the fill plugs, reopen the control valve, and refill the pump and piping. You may have to repeat this two or three times in order to get all the trapped air out of the piping. Don't forget to close the control valve each time before you start the pump.
5. When pressure has built up and stabilized at about 50 psi, slowly open the control valve (See Figure 15) and let the pressure drop until the pressure gauge needle starts to flutter. When the needle flutters, close the valve just enough to stop the flutter (See Figure 15). Your pump is now operating at its most efficient point.

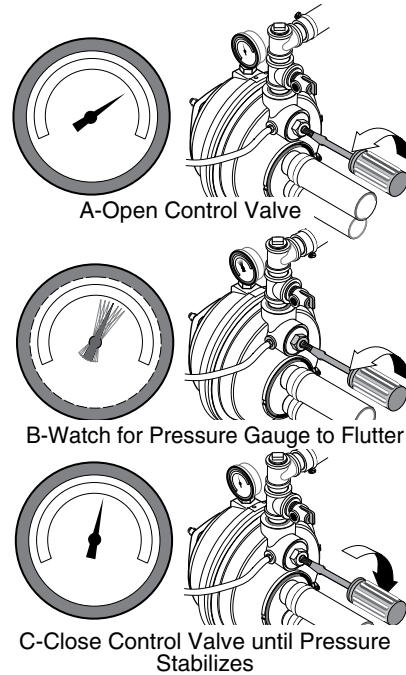


Figure 15 – Set Control Valve

6. After the pump has built up pressure in the system and shut off, check the pressure switch operation by opening a faucet or two and running enough water out to bleed off pressure until the pump starts. The pump should start when pressure drops to 30 psi and stop when pressure reaches 50 psi. Run the pump through one or two complete cycles to verify correct operation. This will also help clean the system of dirt and scale dislodged during installation.

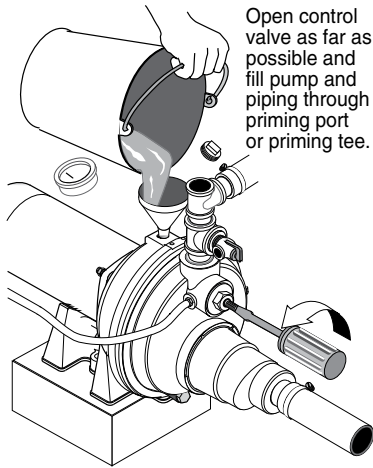
If you were unsuccessful, please refer to the Troubleshooting section (Page 10) or call our customer service technical staff.

Preparing to Start the Pump – Shallow Well

⚠ CAUTION Never run pump dry. Running pump without water may cause pump to overheat, damaging seal and possibly causing burns to persons handling pump. Fill pump with water before starting.

⚠ WARNING Never run pump against closed discharge. To do so can boil water inside pump, causing hazardous pressure in unit, risk of explosion and possibly scalding persons handling pump.

1. Open the control valve as far as possible (See Figure 16). Then remove the priming plug from the pump and fill the pump, fill all piping between the pump and the well, and make sure that all piping in the well is full. If you have also installed a priming tee in the suction piping, remove the plug from the tee and fill the suction piping.



284 0395 NF

Figure 16 – Open Control Valve

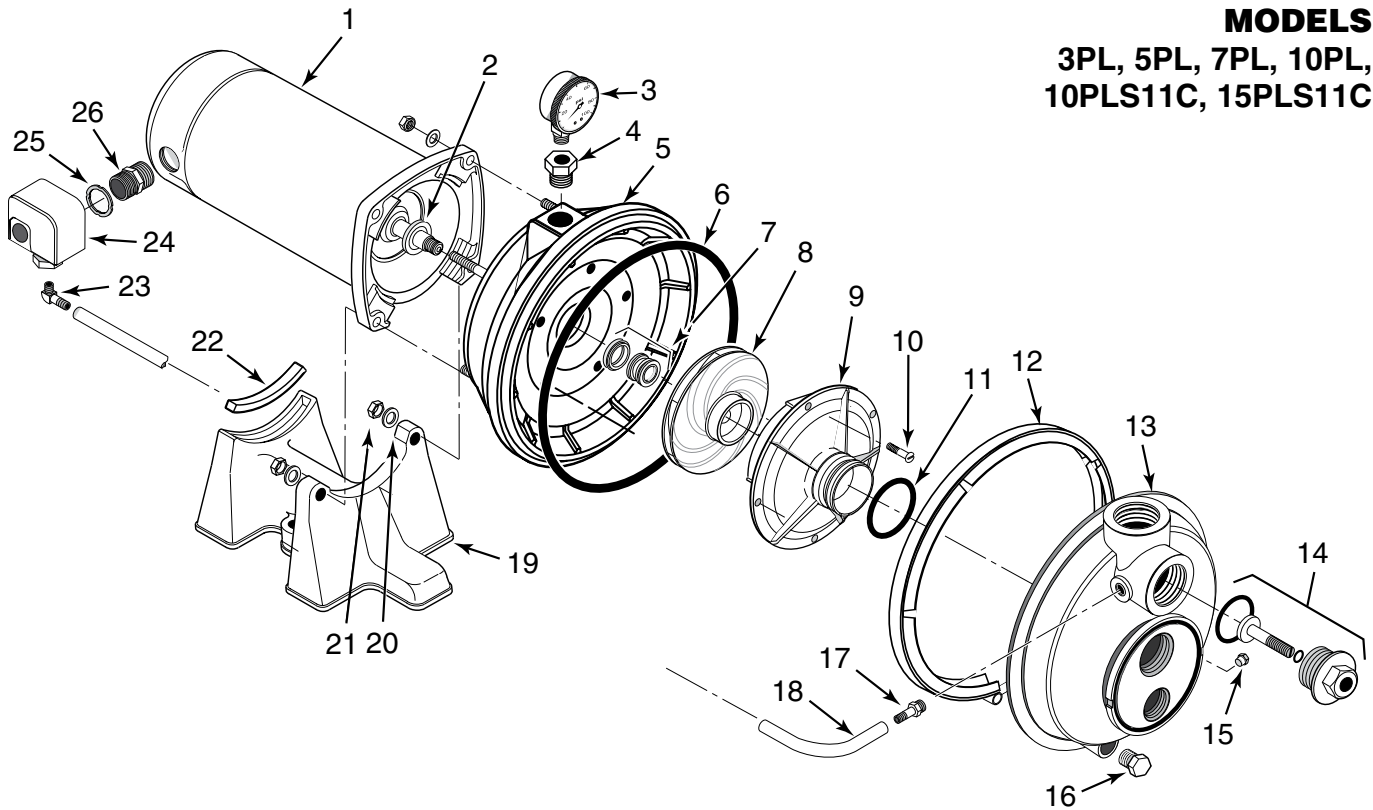
2. Replace all fill plugs. Leave the control valve open (in a shallow well installation, the control valve always stays open).
3. Power on! Start the pump. The pump should pump water in two or three minutes.
4. If you don't have water after 2 or 3 minutes, stop the pump and remove the fill plugs. Refill the pump and piping. You may have to repeat this two or three times in order to get all the trapped air out of the piping. The control valve remains open throughout this procedure.
5. After the pump has built up pressure in the system and shut off, check the pressure switch operation by opening a faucet or two and running enough water out to bleed off pressure until the pump starts. The pump should start when pressure drops to 30 psi and stop when pressure reaches 50 psi. Run the pump through one or two complete cycles to verify correct operation. This will also help clean the system of dirt and scale dislodged during installation.

If you were unsuccessful, please refer to the Troubleshooting section (Page 10) or call our customer service technical staff.

TROUBLESHOOTING CHART

Symptoms	Things to Do:
A. Motor will not run.	<p>A. Check that the disconnect switch is ON and that the circuit breaker has not tripped or the fuse has not blown.</p> <p>DISCONNECT POWER and make sure that wires connecting motor to power supply and pressure switch are tight and correctly connected (see Page 7).</p> <p>If the remedies above do not solve the problem, call your well professional.</p>
B. Motor runs hot and overload trips.	<p>B. Turn to electrical instructions on Page 7 and verify that motor is correctly wired.</p> <p>Check with the power company or hydro authority to make sure that the voltage at the pump is within $\pm 10\%$ of the motor's rated nameplate voltage.</p> <p>DISCONNECT POWER and make sure that the wires connecting the motor to the power supply are sized according to Wiring Chart, Page 7.</p> <p>If not, rewire according to the instructions on Page 7.</p> <p>If the pump is cycling too frequently, see Section E, below.</p>
C. Motor runs but no water is delivered.	<p>C. FIRST, check the prime; that is, make sure that the pump and all the suction piping plus the piping in the well are full of water. If they aren't, fill them up.</p> <p>In cold weather, make sure that the pipes and pump are not frozen. If they are, thaw them, watching out for split pipes and fittings as you work. Heat the pump pit or pump house and bury all piping below the frost line.</p> <p>Other possible causes (call your pump professional if you suspect one of these): Air leaks in the suction line, dropping water level in the well, foot valve stuck or plugged, ejector plugged, impeller plugged, foot valve or strainer stuck in the mud in the bottom of the well, a shallow well pump installed on a well with more than 25 ft depth to water (in this case a deep well jet pump is needed).</p>
D. Pump does not deliver water to full capacity.	<p>D. Possible causes are: the well water level is lower than estimated, making a different nozzle/venturi combination necessary; steel piping (if used) is corroded or limed, restricting capacity and increasing friction; or the piping is too small for the installation. Consult your well professional for any of these conditions.</p>
E. Pump cycles too frequently or does not shut off at all.	<p>E. Make sure no faucets have been left open.</p> <p>If system has a standard tank, make sure it isn't waterlogged. If it is, drain it down to the level of the air volume control. Make sure the AVC isn't defective and that there are no leaks at any connections.</p> <p>If system has a precharged tank, disconnect power, open all system faucets and bleed all pressure off of tank. Use a tire gauge to check the air pressure in the tank. This should be lower than the cut-in setting of the pressure switch by 2 PSI (that is, if the pressure switch starts the pump at 30 PSI, the precharge should be 28 PSI). Check the air valve for leaks (use a soap solution) and replace the core if necessary.</p> <p>If you suspect any of the following conditions, consult your well professional: leaky pipes, leaky foot valve, water level in the well lower than estimated, clogged ejector or impeller.</p>
F. Air spurts from faucets.	<p>F. Pump may still be priming; when priming is complete all air will have been ejected from the system.</p> <p>If you suspect leaks in the suction piping, gasses in the well, or that the pump is intermittently overpumping the well (that is, drawing the water level down below the foot valve), consult your well professional.</p>
G. Pump leaks around clamp.	<p>G. Tighten clamp nut 1-2 turns. <i>Do not overtighten.</i></p>

MODELS
3PL, 5PL, 7PL, 10PL,
10PLS11C, 15PLS11C



REPLACEMENT PARTS LIST

Key No.	Description	Qty.	3PL	5PL	7PL	10PL	10PLS11C	15PLS11C
1	Motor	1	A100BHL	A100CHL	A100DHL	A100EHL	A100ELL	A100FLL
2	Water slinger	1	17351-0009	17351-0009	17351-0009	17351-0009	17351-0009	17351-0009
3	Pressure gauge	1	U239-3	U239-3	U239-3	U239-3	U239-3	U239-3
4	1/2 x 1/8" NPT Reducer bushing	1	U78-107PT	U78-107PT	U78-107PT	U78-107PT	U78-107PT	U78-107PT
5	Pump body, back half	1	L176-47P	L176-47P	L176-47P	L176-47P	L176-47P	L176-47P
6	O-ring	1	U9-399	U9-399	U9-399	U9-399	U9-399	U9-399
7	Shaft seal	1	U109-6A	U109-6A	U109-6A	U109-6A	U109-6A	U109-6A
8	Impeller	1	J105-40PE	J105-42PT	J105-8PAN	J105-22PA	J105-8PAN	J105-22PA
9	Diffuser	1	J1-39P	J1-39P	J1-40P	J1-40PA	J1-40P	J1-40PA
**	Lockwasher	5	U43-21SS	U43-21SS	U43-21SS	U43-21SS	U43-21SS	U43-21SS
10	#8 - 32 x 7/8" lg. Screw, S.S.	5	*	*	*	*	*	*
11	Diffuser O-ring	1	U9-199	U9-199	U9-199	U9-199	U9-199	U9-199
12	Pump body clamp	1	C19-54SS	C19-54SS	C19-54SS	C19-54SS	C19-54SS	C19-54SS
13	Pump body, front half	1	L76-37P	L76-37P	L76-37P	L76-37P	L76-37P	L76-37P
14	Control valve	1	L162-10PS	L162-10PS	L162-10PS	L162-10PS	L162-10PS	L162-10PS
15	1/8" NPT Pipe plug	1	*	*	*	*	*	*
16	1/4" NPT Pipe plug	1	*	*	*	*	*	*
17	1/4" NPT straight barbed fitting	1	*	*	*	*	*	*
18	Switch tube	1	U37-671P	U37-671P	U37-671P	U37-671P	U37-671P	U37-671P
19	Base	1	C4-42P	C4-42P	C4-42P	C4-42P	C4-42P	C4-42P
20	5/16" Washer, S.S.	4	*	*	*	*	*	*
21	5/16" - 18 Hex head nut, S.S.	4	*	*	*	*	*	*
22	Motor pad	1	C35-11	C35-11	C35-11	C35-11	C35-11	C35-11
23	1/4" NPT Elbow barbed fitting	1	*	*	*	*	*	*
24	Pressure switch	1	U217-1216	U217-1216	U217-1216	U217-1217	U217-1216	U217-1217
25	1/2" Locknut	1	*	*	*	*	*	*
26	Connector	1	L43-5C	L43-5C	L43-5C	L43-5C	L43-5C	L43-5C
	• Ejector Kit – Shallow well	1	BK4875	BK4875	BK4875	BK4875	BK4875	BK4875
	• Ejector Kit – Deep well (4" dia. well)	1	BK4800	BK4800	BK4800	BK4800	BK4800	BK4800
	• Ejector Kit – Deep well (2" single pipe well)	1	BK4840	BK4840	BK4840	BK4840	BK4840	BK4840

* Standard hardware item, purchase locally.
 • Not shown and not included. Order separately.
 ** Not illustrated.

Limited Warranty

BERKELEY warrants to the original consumer purchaser ("Purchaser" or "You") of the products listed below, that they will be free from defects in material and workmanship for the Warranty Period shown below.

Product	Warranty Period
Water Systems:	
Water Systems Products — jet pumps, small centrifugal pumps, submersible pumps and related accessories	<i>whichever occurs first:</i> 12 months from date of original installation, or 18 months from date of manufacture
Pro-Source® Composite Tanks	5 years from date of original installation
Pro-Source® Steel Pressure Tanks	5 years from date of original installation
Pro-Source® Epoxy-Lined Tanks	3 years from date of original installation
Sump/Sewage/Effluent Products	12 months from date of original installation, or 18 months from date of manufacture
Agricultural/Commercial:	
Centrifugals – close-coupled motor drive, frame mount, SAE mount, engine drive, VMS, SSCX, SSHM, solids handling, submersible solids handling	12 months from date of original installation, or 24 months from date of manufacture
Submersible Turbines, 6" diameter and larger	12 months from date of original installation, or 24 months from date of manufacture

Our limited warranty will not apply to any product that, in our sole judgement, has been subject to negligence, misapplication, improper installation, or improper maintenance. Without limiting the foregoing, operating a three phase motor with single phase power through a phase converter will void the warranty. Note also that three phase motors must be protected by three-leg, ambient compensated, extra-quick trip overload relays of the recommended size or the warranty is void.

Your only remedy, and BERKELEY's only duty, is that BERKELEY repair or replace defective products (at BERKELEY's choice). You must pay all labor and shipping charges associated with this warranty and must request warranty service through the installing dealer as soon as a problem is discovered. No request for service will be accepted if received after the Warranty Period has expired. This warranty is not transferable.

BERKELEY SHALL NOT BE LIABLE FOR ANY CONSEQUENTIAL, INCIDENTAL, OR CONTINGENT DAMAGES WHATSOEVER. THE FOREGOING LIMITED WARRANTIES ARE EXCLUSIVE AND IN LIEU OF ALL OTHER EXPRESS AND IMPLIED WARRANTIES, INCLUDING BUT NOT LIMITED TO IMPLIED WARRANTIES OF MERCHANTABILITY AND FITNESS FOR A PARTICULAR PURPOSE. THE FOREGOING LIMITED WARRANTIES SHALL NOT EXTEND BEYOND THE DURATION PROVIDED HEREIN.

Some states do not allow the exclusion or limitation of incidental or consequential damages or limitations on the duration of an implied warranty, so the above limitations or exclusions may not apply to You. This warranty gives You specific legal rights and You may also have other rights which vary from state to state.

This Limited Warranty is effective June 1, 2011 and replaces all undated warranties and warranties dated before June 1, 2011.

In the U.S.: BERKELEY, 293 Wright St., Delavan, WI 53115
In Canada: 269 Trillium Dr., Kitchener, Ontario N2G 4W5

DESCRIPTION

Les pompes à éjecteur transformables résistantes à la corrosion et de toute première qualité (n°s 3PL, 5PL, 7PL, 10PL, 10PLS11C et 15PLS11C) peuvent être utilisées soit avec un puits peu profond, soit avec un puits profond. Un éjecteur pour puits peu profond (que l'on doit acheter séparément) est utilisé pour les hauteurs géométriques d'aspiration de 25 pieds ou moins et il peut être utilisé avec des puits forés (à tubage), une pointe filtrante, une citerne ou un lac. Si l'éjecteur pour puits profonds est posé, la pompe à éjecteur transformable peut être branchée sur des puits ayant jusqu'à 110 pieds de profondeur (en fonction de l'ensemble d'éjecteur utilisé).


La pompe est équipée d'un démarreur à condensateur et d'un manostat dont le réglage varie entre 30 et 50 lb/po².


DÉBALLAGE


Ouvrir la boîte et sortir la pompe. S'assurer qu'il n'y a pas de pièces qui se soient détachées, manquantes ou endommagées.


SÉCURITÉ GÉNÉRALE

LIRE TOUTES CES INSTRUCTIONS ET LES SUIVRE!

 **Ce symbole indique qu'il faut être prudent.** Lorsque ce symbole apparaît sur la pompe ou dans cette Notice, rechercher une des mises en garde qui suivent, car elles indiquent un potentiel possible de blessures corporelles :

 **DANGER** Avertit d'un danger qui causera des blessures corporelles, la mort ou des dommages matériels importants si on l'ignore.

 **AVERTISSEMENT** Avertit d'un danger qui risque de causer des blessures corporelles, la mort ou des dommages matériels importants si on l'ignore.


 **ATTENTION** Avertit d'un danger qui causera ou qui risquera de causer des blessures corporelles, la mort ou des dommages matériels importants si on l'ignore.


Le mot **NOTA** indique des instructions spéciales et importantes n'ayant aucun rapport avec les dangers.


Lire attentivement toutes les consignes de sécurité contenues dans cette Notice ou collées sur la pompe.


Garder les autocollants de sécurité en bon état; les remplacer s'ils manquent ou s'ils ont été endommagés.


Sécurité concernant l'électricité


 **AVERTISSEMENT** Tension dangereuse. Risque de secousses électriques, de brûlures, voire de mort. Mettre à la terre la pompe avant de la brancher sur le courant électrique. Couper l'arrivée de courant avant d'intervenir sur la pompe, sur le moteur ou sur le réservoir.

 **AVERTISSEMENT** La tension du condensateur peut être dangereuse. Pour décharger le condensateur du moteur, tenir un tournevis à manche isolé PAR LE MANCHE et mettre en court-circuit les bornes du condensateur. Ne pas toucher la lame métallique du tournevis ni les bornes du condensateur. En cas de doute, consulter un électricien qualifié.


 Câbler le moteur en fonction de la bonne tension. Voir la Section «Électricité» de cette Notice et la plaque signalétique du moteur.

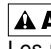
 Mettre à la terre le moteur avant de le brancher sur le courant électrique.

 Conforme au Code national de l'électricité, au Code canadien de l'électricité et aux codes municipaux pour tous les câblages.

 Respecter les instructions de câblage figurant dans cette Notice lorsque l'on branche le moteur sur une ligne haute tension.

Sécurité générale

 **AVERTISSEMENT** Pression dangereuse! Poser une soupape de sûreté sur le tuyau de refoulement. Dissiper toute la pression du système avant d'intervenir sur un élément.

 **ATTENTION** Ne pas toucher un moteur qui fonctionne. Les moteurs modernes sont conçus pour fonctionner par des températures élevées. Pour ne pas se brûler lorsque l'on intervient sur la pompe, la laisser refroidir pendant 20 minutes après l'avoir arrêtée avant de la toucher.

Ne pas laisser geler la pompe ni aucun autre élément du système, sinon la garantie sera annulée.

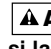
Ne pomper que de l'eau avec cette pompe.

Périodiquement, inspecter la pompe et tous les éléments du système.


Toujours porter des lunettes de sécurité lorsque l'on intervient sur une pompe.

Garder la zone de travail propre, non encombrée et bien éclairée; tous les outils et tout l'équipement non utilisés doivent être entreposés correctement.

Ne pas laisser les visiteurs s'approcher de la zone de travail.

 **AVERTISSEMENT** Le corps de la pompe peut exploser si la pompe est utilisée en tant que pompe de surpression, à moins qu'une soupape de sûreté pouvant laisser passer le débit maximum de la pompe à 75 lb/po² soit posée.

Avertissement lié à la Proposition 65 de la Californie

 **AVERTISSEMENT** Ce produit et les accessoires connexes contiennent des produits chimiques reconnus dans l'État de la Californie comme pouvant provoquer des cancers, des anomalies congénitales ou d'autres dangers relatifs à la reproduction.

RENDEMENT

TABLEAU I – Tableau de rendement avec des puits profonds de 4 po à deux tuyaux et des éjecteurs - ensemble d'éjecteur BK4800

Mètres jusqu'à l'eau	Modèle 3PL Pression en lb/po ²					Modèle 5PL Pression en lb/po ²				
	20	30	40	50	60	20	30	40	50	60
	L/m avec venturi J32P-24 et ajutage n° 54					L/m avec venturi J32P-24 et ajutage n° 51				
9,1	37,1	27,3	17,0	8,3	–	37,9	33,3	24,6	15,5	7,9
12,2	31,4	22,0	13,2	5,3	–	34,1	28,4	19,3	11,4	3,8
15,2	26,5	17,0	8,7	–	–	31,4	24,2	15,1	7,6	–
18,3	20,8	12,5	4,9	–	–	25,7	18,9	11,4	3,8	–
21,3	–	–	–	–	–	21,2	15,1	6,8	–	–
24,4	–	–	–	–	–	15,1	9,5	2,8	–	–

TABLEAU II – Tableau de rendement avec des puits profonds de 2 po à seul tuyaux et des éjecteurs - ensemble d'éjecteur BK4830, BK4840

Mètres jusqu'à l'eau	Modèle 3PL Pression en lb/po ²				Modèle 5PL Pression en lb/po ²			
	20	30	40	50	20	30	40	50
	L/m avec venturi J32P-24 et ajutage n° 54				L/m avec venturi J32P-24 Venturi et ajutage n° 54			
9,1	36,7	26,5	17,0	10,6	37,9	32,6	23,5	14,4
12,2	30,7	20,4	12,5	8,7	33,3	27,4	18,2	10,4
15,2	25,4	15,1	9,8	6,4	32,2	22,7	20,8	6,1
					L/m avec venturi J32P-18 Venturi et ajutage n° 52			
18,3	14,4	11,0	7,6	4,1	15,9	12,5	9,8	7,2
21,8	12,1	8,7	5,7	2,6	13,6	10,6	7,9	4,9
24,4	–	–	–	–	11,4	8,5	6,1	3,8
27,4	–	–	–	–	9,5	6,6	3,5	2,3
30,5	L/m avec venturi J32P-18 et ajutage n° 52				7,6	4,9	2,8	–

TABLEAU III – Tableau rendement avec des puits peu profonds et des éjecteurs - ensemble d'éjecteur BK4875

Mètres jusqu'à l'eau	Modèle 3PL Pression en lb/po ²					Modèle 5PL Pression en lb/po ²				
	20	30	40	50	60	20	30	40	50	60
	L/m avec venturi J32P-72 et ajutage n° 51					L/m avec venturi J32P-63 et ajutage n° 51				
1,5	36,0	34,8	34,1	4,8	11,4	61,3	59,8	57,9	32,9	4,9
3,0	31,0	30,1	29,5	19,7	8,7	53,8	53,0	52,2	27,3	–
4,6	27,3	25,7	25,7	17,0	6,8	46,2	45,4	44,7	20,1	–
6,1	21,6	21,6	21,6	14,4	–	36,7	36,7	34,8	14,0	–
7,6	16,3	16,3	16,3	12,1	–	27,3	25,7	25,7	–	–

RENDEMENT

TABLEAU IV – Tableau de rendement avec des puits profonds de 4 po à deux tuyaux et des éjecteurs - ensemble d'éjecteur BK4800

Mètres jusqu'à l'eau	Modèle 7PL, 10PLS11C Pression en lb/po ²					Modèle 10PL, 15PLS11C Pression en lb/po ²				
	20	30	40	50	60	20	30	40	50	60
	L/m avec venturi J32P-24 et ajustage n° 51					L/m avec venturi J32P-28 et ajustage n° 55				
9,1	41,6	37,9	31,8	25,0	18,2	92,7	71,9	50,0	35,6	27,3
12,2	36,3	36,3	27,4	17,0	13,6	71,9	54,8	36,0	28,4	21,2
15,2	36,0	30,7	23,5	17,0	10,4	49,2	36,9	30,1	23,5	16,3
18,3	31,0	25,0	18,9	12,5	7,2	37,9	31,0	29,5	18,2	11,4
21,3	27,3	21,6	15,5	9,5	3,8	31,8	26,5	20,1	13,6	7,6
						L/m avec venturi J32P-22 et ajustage n° 53				
24,4	20,4	14,8	11,0	5,7	–	23,5	20,8	16,7	11,0	5,3
27,4	16,0	12,1	7,6	2,8	–	18,9	16,7	12,1	7,2	–
30,5	–	–	–	–	–	13,2	12,1	8,3	4,2	–
33,5	–	–	–	–	–	9,5	8,5	5,7	–	–

TABLEAU V – Tableau de rendement avec des puits profonds de 2 po à seul tuyaux et des éjecteurs - ensemble d'éjecteur BK4830, BK4840

Mètres jusqu'à l'eau	Modèle 7PL, 10PLS11C Pression en lb/po ²				Modèle 10PL, 15PLS11C Pression en lb/po ²			
	20	30	40	50	20	30	40	50
	L/m avec venturi J32P-29 et ajustage n° 54				L/m avec venturi J32P-29 et ajustage n° 54			
9,1	67,4	54,5	40,1	24,2	70,4	59,1	46,6	32,9
12,2	34,8	41,6	28,0	17,8	57,7	46,1	34,8	22,7
15,2	32,2	22,7	14,0	6,1	46,6	34,1	24,2	12,1
	L/m avec venturi J32P-18 et ajustage n° 52				L/m avec venturi J32P-29 et ajustage n° 54			
18,3	20,8	14,2	14,2	11,4	36,9	26,5	17,8	4,2
	L/m avec venturi J32P-18 et ajustage n° 52				L/m avec venturi J32P-18 et ajustage n° 52			
21,8	18,9	15,5	12,3	9,5	19,3	16,3	14,0	11,4
24,4	16,3	13,2	10,2	7,6	17,4	14,8	12,3	9,8
27,4	14,2	11,4	8,5	5,7	15,1	12,5	10,4	7,9
30,5	12,3	9,5	6,6	4,2	13,6	11,4	9,1	6,6
33,5	9,5	6,8	4,7	2,6	10,4	8,5	6,6	4,7

TABLEAU VI – Tableau rendement avec des puits peu profonds et des éjecteurs - ensemble d'éjecteur BK4875

Mètres jusqu'à l'eau	Modèle 10PLS11C Pression en lb/po ²					Modèle 15PLS11C Pression en lb/po ²				
	20	30	40	50	60	20	30	40	50	60
	L/m avec venturi N32P-64 et ajustage n° 54					L/m avec venturi N32P-65 et ajustage n° 51				
1,5	80,1	79,5	78,4	50,0	15,9	99,6	99,2	99,2	80,6	30,3
3,0	71,2	70,8	69,3	42,0	6,4	89,7	88,2	87,8	72,7	13,2
4,6	60,6	59,8	59,4	33,7	–	76,8	76,5	75,7	61,7	–
10,1	48,5	48,1	46,6	21,6	–	61,3	60,6	59,8	42,4	–
7,6	32,2	32,2	32,2	–	–	43,5	42,8	42,8	–	–

SPÉCIFICATIONS

Moteur ch (3PL)	1/3
(5PL)	1/2
(7PL)	3/4
(10PL)	1
(10PLS11C)	1
(15PLS11C)	1-1/2
Volts @ 60 Hz.	115/230
Phase	1
Pour moteurs de	230V
Réglage du manostat	30-50 lb/po ²
Hauteur	30 cm
Largeur	26 cm
Longueur (3PL)	43 cm
(5PL)	45 cm
(7PL, 10PLS11C)	46 cm
(10PL, 15PLS11C)	48 cm
Filets N.P.T. - Aspiration	1-1/4 po
Filets N.P.T. - Refoulement	1 po
Pieds (3PL)	12,2 kg.
(5PL)	12,7 kg.
(7PL, 10PLS11C)	13,6 kg.
(10PL, 15PLS11C)	16,3 kg.

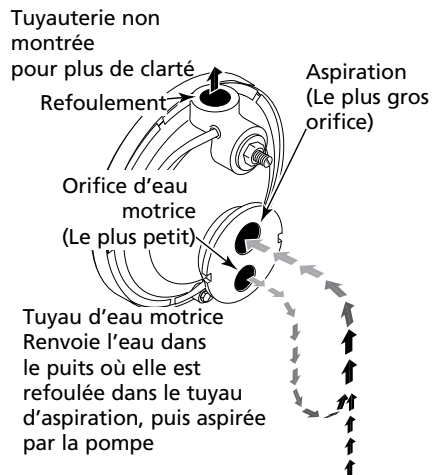


Figure 1 – Fonctions d'eau motrice et d'aspiration

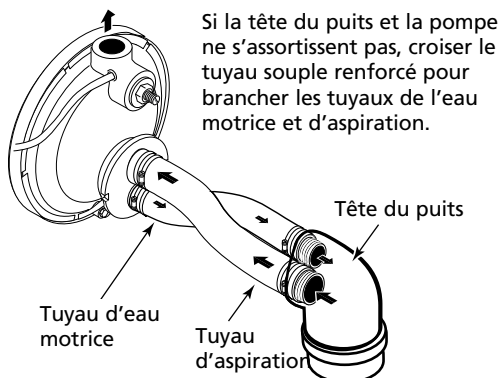


Figure 2 – Branchement inversé dans le puits

INSTALLATION

Remplacement d'une pompe existante

PUITS PROFONDS

▲ AVERTISSEMENT Tension dangereuse. Couper l'arrivée de courant à la pompe avant d'intervenir sur la pompe ou sur le moteur.

1. Vider toute l'eau de l'ancienne pompe; déposer l'ancienne pompe. Vérifier la tuyauterie à la recherche de dépôts de tartre, de chaux, de rouille, etc.; la remplacer selon le besoin.
2. Si l'ancienne pompe comporte un tuyau d'aspiration (le plus grand orifice – voir la Figure 1) sous l'orifice de pression, un tuyau souple devra être branché entre la tête du puits et la pompe pour que le branchement soit fait comme il faut. (Voir la Figure 2.)

NOTA : L'ancien éjecteur (celui qui est dans le puits) ne s'assortira peut-être pas bien avec la nouvelle pompe. Si le rendement de la pompe n'est pas adéquat, nous recommandons de poser un ensemble d'éjecteur Berkeley convenant à la pompe et au puits.

3. Brancher la pompe sur le système. S'assurer que tous les raccords du tuyau d'aspiration sont bien étanches, aussi bien à l'air qu'à l'eau. Si le tuyau d'aspiration aspire de l'air, la pompe ne pompera pas l'eau du puits.
4. Régler la hauteur de montage de la pompe de façon que les raccords de plomberie n'exercent aucune contrainte sur le corps de la pompe. Supporter les tuyaux de façon que le corps de la pompe ne supporte pas le poids de la tuyauterie ni des raccords.

PUITS PEU PROFONDS

▲ AVERTISSEMENT Tension dangereuse. Couper l'arrivée de courant à la pompe avant d'intervenir sur la pompe ou sur le moteur.

1. Vider toute l'eau de l'ancienne pompe; déposer l'ancienne pompe. Vérifier la tuyauterie à la recherche de dépôts de tartre, de chaux, de rouille, etc.; la remplacer selon le besoin.
2. Poser un ensemble d'éjecteur Berkeley modèle BK4875 (vendu séparément). Suivre les instructions fournies avec le nécessaire. S'assurer de bien aligner le venturi avec le trou supérieur qui se trouve à l'avant de la pompe (voir la Figure 3).

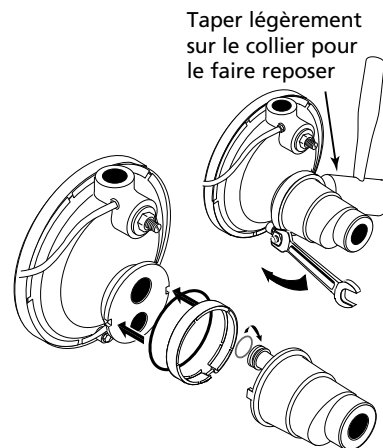


Figure 3 – Montage de l'éjecteur - Puits peu profonds

NOTA : Toujours remplacer l'éjecteur lorsque l'on remplace la pompe d'un puits peu profond.

3. Brancher la pompe sur le système. S'assurer que tous les raccords du tuyau d'aspiration sont bien étanches, aussi bien à l'air qu'à l'eau. Si le tuyau d'aspiration aspire de l'air, la pompe ne pompera pas l'eau du puits.
4. Régler la hauteur de montage de la pompe de façon que les raccords de plomberie n'exercent aucune contrainte sur le corps de la pompe. Supporter les tuyaux de façon que le corps de la pompe ne supporte pas le poids de la tuyauterie ni des raccords.

Installation sur un nouveau puits peu profond, Installation de la pointe filtrante (Figure 4)

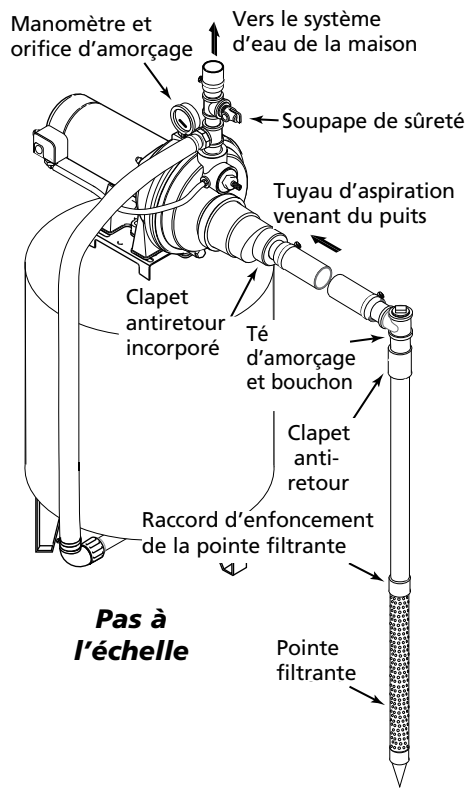


Figure 4 – Installation avec une pointe filtrante

1. Poser un ensemble d'éjecteur Berkeley modèle BK4875 (vendu séparément). Suivre les instructions fournies avec le nécessaire. S'assurer de bien aligner le venturi avec le trou supérieur qui se trouve à l'avant de la pompe (voir la Figure 3).
2. Enfoncer la pointe dans le sol, en utilisant des «raccords d'enfoncement» et des «chapeaux de battage». Les «raccords d'enfoncement» sont filetés sur toute leur longueur, ce qui permet aux extrémités des tuyaux de venir en butée l'une contre l'autre de façon que la force d'enfoncement du maillet soit absorbée par le tuyau et non pas par les filets. Les raccords ordinaires que l'on trouve dans les quincailleries ne sont pas filetés sur toute leur longueur et ils risquent de s'écraser sous l'impact des coups. Les «raccords d'enfoncement» sont également plus lisses que les raccords de plomberie standard, ce qui leur permet de pénétrer plus facilement dans le sol.
3. Monter la pompe aussi près que possible du puits.
4. Utiliser le moins possible de raccords (en particulier des coudes) lorsque l'on branche la tuyauterie de la pointe filtrante sur l'orifice d'aspiration de la pompe. Le diamètre du tuyau d'aspiration doit être au moins aussi grand que le diamètre de l'orifice d'aspiration de la pompe (y compris le clapet anti-retour - voir la Figure 4). Supporter le tuyau de façon qu'il ne soit pas cintré afin qu'il n'exerce pas de contraintes sur le corps de la pompe; de plus, il doit être légèrement incliné vers le haut, du puits jusqu'à la pompe (les points hauts risquent de causer des poches et des bouchons d'air dans la pompe). Rendre étanches les joints du tuyau d'aspiration avec du ruban d'étanchéité en PTFE pour filetage en PVC. Les raccords doivent être étanches à l'air et à l'eau. Si le tuyau d'aspiration aspire de l'air, la pompe ne pompera pas l'eau du puits. Si une pointe filtrante ne fournit pas suffisamment d'eau, considérer brancher deux ou trois pointes filtrantes sur un même tuyau d'aspiration.

Installation sur un puits à tubage de 2 pouces de diamètre ou plus grand (Figure 5)

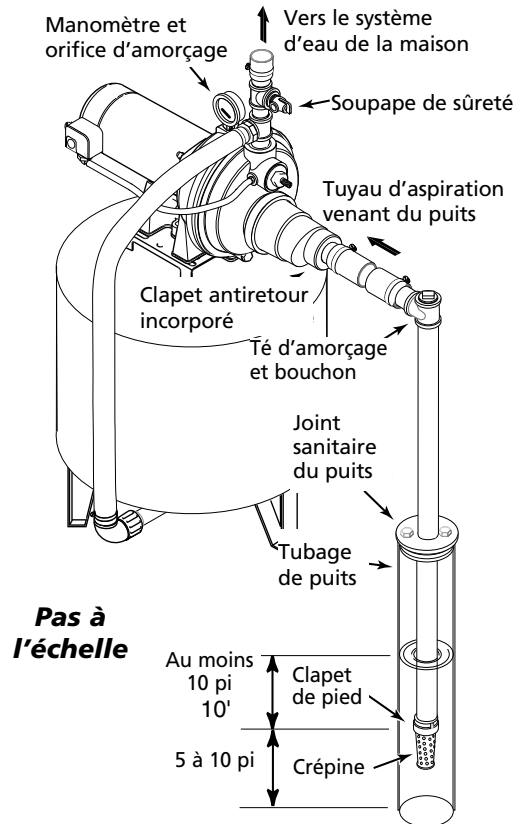


Figure 5 – Installation dans un puits à tubage

1. Poser un ensemble d'éjecteur Berkeley modèle BK4875 (vendu séparément). Suivre les instructions fournies avec le nécessaire. S'assurer de bien aligner le venturi avec le trou supérieur qui se trouve à l'avant de la pompe (voir la Figure 3).
2. Monter la pompe aussi près que possible du puits.
3. Brancher le clapet de pied, la crépine et le tuyau du puits (voir la Figure 5). S'assurer que le clapet de pied fonctionne librement.
4. Abaisser le tuyau dans le puits jusqu'à ce que la crépine soit à cinq pieds du fond du puits. Pour que la pompe n'aspire pas d'air, la crépine doit être au moins à 10 pieds sous le niveau de l'eau du puits pendant que la pompe fonctionne. Poser un joint sanitaire de puits.
5. Poser le té d'amorçage et le tuyau d'aspiration sur la pompe (voir la Figure 5). Brancher le tuyau provenant du puits sur l'orifice d'aspiration de la pompe en utilisant le moins possible de raccords - en particulier des coudes - étant donné que les raccords augmentent le frottement de l'eau dans les tuyaux. Le diamètre du tuyau d'aspiration doit être au moins aussi grand que le diamètre de l'orifice d'aspiration de la pompe. Utiliser du ruban d'étanchéité en PTFE pour filetage sur les raccords de tuyaux filetés. Supporter le tuyau de façon qu'il ne soit pas cintré afin qu'il n'exerce pas de contraintes sur le corps de la pompe; de plus, il doit être légèrement incliné vers le haut, du puits jusqu'à la pompe (les points hauts risquent de causer des poches et des bouchons d'air dans la pompe). Rendre étanches les joints du tuyau d'aspiration avec du ruban d'étanchéité en PTFE pour filetage. Les raccords doivent être étanches à l'air et à l'eau. Si le tuyau d'aspiration aspire de l'air, la pompe ne pompera pas l'eau du puits.

INSTALLATION POUR LES EAUX DE SURFACE

1. Poser un ensemble d'éjecteur Berkeley modèle BK4875 (vendu séparément). Suivre les instructions fournies avec le nécessaire. S'assurer de bien aligner le venturi avec le trou supérieur qui se trouve à l'avant de la pompe (voir la Figure 6).

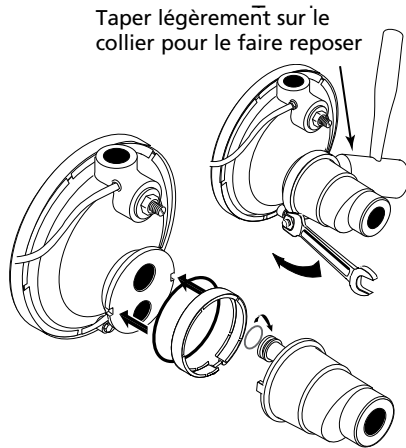


Figure 6 – Poser l'éjecteur

2. Monter la pompe aussi près que possible du puits en utilisant le moins possible de raccords (en particulier des coudes) sur le tuyau d'aspiration. Le diamètre du tuyau d'aspiration doit être au moins aussi grand que le diamètre de l'orifice d'aspiration de la pompe.
3. Assembler le clapet de pied et le tuyau d'aspiration (voir la Figure 7). S'assurer que le clapet de pied fonctionne librement. Utiliser du ruban d'étanchéité en PTFE pour filetage sur les raccords de tuyaux filetés. Poser une crépine autour du clapet de pied pour le protéger contre les poissons, les déchets, etc. (voir la Figure 7).

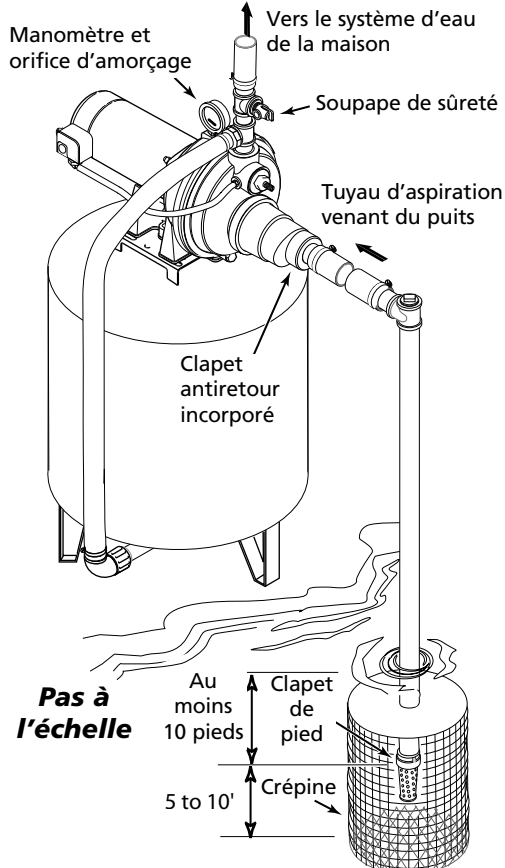


Figure 7 – Installation pour les eaux de surface

4. Abaisser le tuyau dans le puits jusqu'à ce que la crépine soit à cinq pieds du fond du puits. Pour que la pompe n'aspire pas d'air, la crépine doit être au moins à 10 pieds sous le niveau de l'eau du puits pendant que la pompe fonctionne.
5. Poser le té d'amorçage, le bouchon d'amorçage et le tuyau d'aspiration sur la pompe (voir la Figure 7). Supporter le tuyau de façon qu'il ne soit pas cintré afin qu'il n'exerce pas de contraintes sur le corps de la pompe; de plus, il doit être légèrement incliné vers le haut, du puits jusqu'à la pompe (les points hauts risquent de causer des poches et des bouchons d'air dans la pompe). Rendre étanches les joints du tuyau d'aspiration avec du ruban d'étanchéité en PTFE pour filetage. Les raccords doivent être étanches à l'air et à l'eau. Si le tuyau d'aspiration aspire de l'air, la pompe ne pompera pas l'eau du puits.

Installation sur un nouveau puits profond, Puits de 4 pouces de diamètre ou plus grand (Figure 8)

1. Poser un ensemble d'éjecteur Berkeley modèle BK4800 (vendu séparément). Voir la Figure 8. Suivre les instructions fournies avec le nécessaire de façon à assortir la buse et le venturi en fonction des conditions du puits.
2. Monter la pompe aussi près que possible du puits.
3. Brancher deux tuyaux (de 1 pouce pour l'eau motrice, de 1-1/4 pouce pour l'aspiration) sur l'éjecteur et abaisser l'éjecteur dans le puits jusqu'à ce qu'il soit à cinq pieds du fond du puits. Pour que la pompe n'aspire pas d'air, l'éjecteur doit également être à au moins 10 pieds sous le niveau de l'eau pendant que la pompe fonctionne.
4. Poser un joint sanitaire de puits et brancher la tuyauterie de l'éjecteur sur la pompe. Dans le cas de tuyaux en plastique souples, utiliser des raccords en acier là où les tuyaux traversent le joint d'étanchéité du puits pour éviter d'écraser les tuyaux lors du serrage du joint.
5. Supporter le tuyau de façon qu'il ne soit pas cintré afin qu'il n'exerce pas de contraintes sur le corps de la pompe; de plus, il doit être légèrement incliné vers le haut, du puits jusqu'à la pompe (les points hauts risquent de causer des poches et des bouchons d'air dans la pompe). Rendre étanches les joints du tuyau d'aspiration avec du ruban d'étanchéité en PTFE pour filetage. Les raccords doivent être étanches à l'air et à l'eau. Si le tuyau d'aspiration aspire de l'air, la pompe ne pompera pas l'eau du puits.

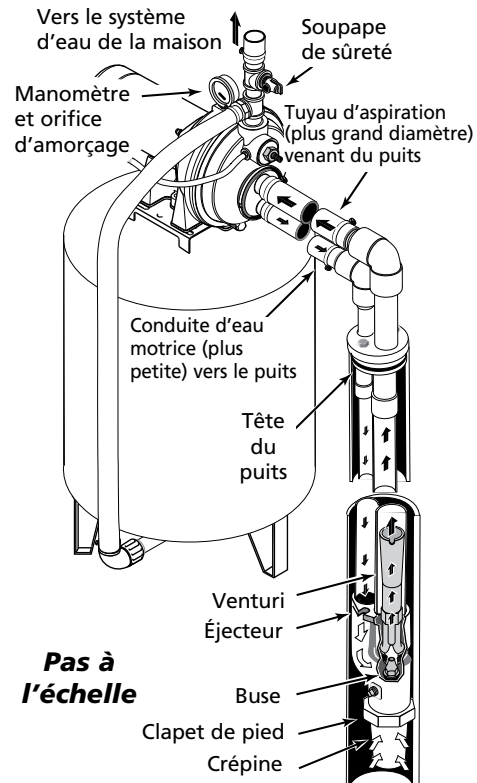


Figure 8 – Puits profond de 4 pouces et de plus grand diamètre

Installation sur un nouveau puits profond Puits de 2 pouces (Figure 9)

1. Monter la pompe aussi près que possible du puits.
2. Assembler l'ensemble d'éjecteur Berkeley BK4840 (vendu séparément), la tuyauterie du puits et l'adaptateur de la tête du puits conformément aux instructions fournies avec l'éjecteur (Voir la Figure 9.) Utiliser un tuyau de descente galvanisé muni de raccords usinés pour assurer un débit adéquat. Suivre les instructions fournies avec le nécessaire de façon à assortir la buse et le venturi aux conditions du puits.
3. Poser deux tuyaux (un de petit diamètre pour l'eau motrice, un de plus gros diamètre pour l'aspiration) entre le puits et la pompe. Supporter le tuyau de façon qu'il ne soit pas cintré afin qu'il n'exerce pas de contraintes sur le corps de la pompe; de plus, il doit être légèrement incliné vers le haut, du puits jusqu'à la pompe (les points hauts risquent de causer des poches et des bouchons d'air dans la pompe). Rendre étanches les joints du tuyau d'aspiration avec du ruban d'étanchéité en PTFE pour filetage. Les raccords doivent être étanches à l'air et à l'eau. Si le tuyau d'aspiration aspire de l'air, la pompe ne pompera pas l'eau du puits.

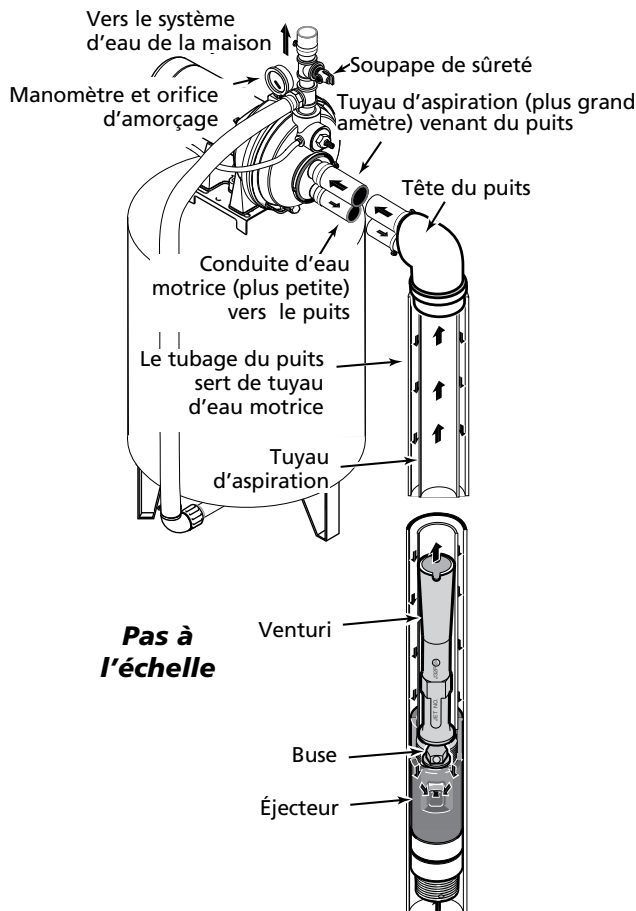


Figure 9 – Puits profond de 2 pouces (à un seul tuyau)

Branchements du tuyau de refoulement et sur un réservoir sous pression

BRANCHEMENT SUR UN RÉSERVOIR PRÉCHARGÉ (Figure 10)

1. Poser un raccord court et un té dans l'orifice de refoulement de la pompe (voir la Figure 10). Le diamètre du tuyau doit être au moins aussi grand que le diamètre de l'orifice de refoulement.
2. Poser un deuxième raccord court et un deuxième té; poser une soupape de sûreté dans le té.
3. Brancher l'autre extrémité du deuxième té de refoulement sur le système de la plomberie.
4. Vérifier la précharge d'air dans le réservoir avec un manomètre pour pneu. La précharge doit être de 2 lb/po² inférieure au réglage de la pression d'enclenchement du manomètre

de la pompe. La précharge se mesure lorsqu'il n'y a pas de pression d'eau dans le réservoir. Cette pompe neuve est équipée d'un manomètre de 30 à 50 lb/po²; la pression de précharge du réservoir devra donc être réglée à 28 lb/po².

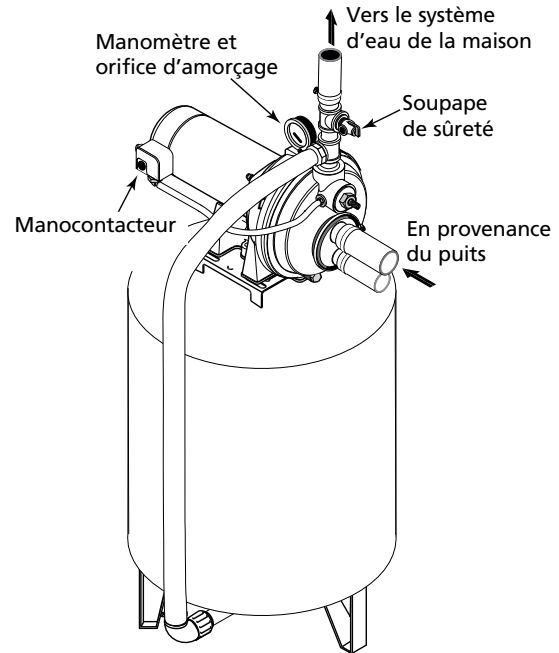


Figure 10 – Branchements sur un réservoir préchargé

BRANCHEMENT SUR UN RÉSERVOIR STANDARD (Figure 11)

1. Poser un raccord court et un té dans l'orifice de refoulement de la pompe. Poser une soupape de sûreté dans une des branches du té.
2. Poser un deuxième raccord court et un deuxième té dans la branche libre du premier té. Poser un bouchon d'amorçage dans une des branches du deuxième té.
3. Poser un tuyau entre la branche libre du deuxième té et l'orifice d'admission du réservoir. Le diamètre du tuyau doit être au moins aussi grand que le diamètre de l'orifice de refoulement de la pompe.
4. Déposer le bouchon fileté de 1/8 de pouce NPT de l'orifice du contrôleur d'air de la pompe (voir la Figure 11). Poser un tube entre l'orifice du contrôleur d'air de la pompe et l'orifice du contrôleur d'air monté sur le réservoir. Pour plus de détails, se reporter aux instructions fournies avec le réservoir et le contrôleur d'air.

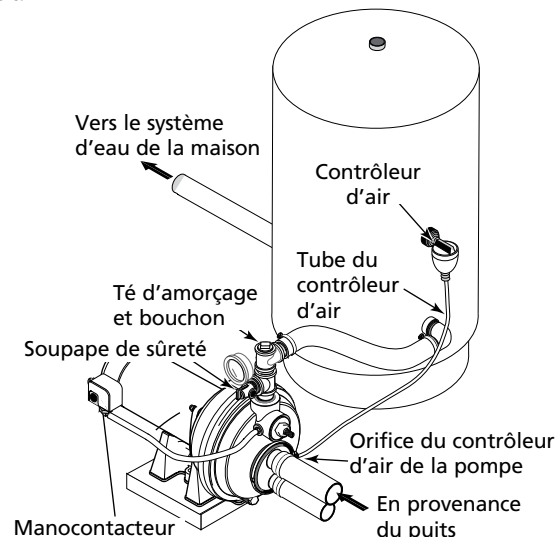


Figure 11 – Branchements sur un réservoir standard

INSTALLATION ÉLECTRICITÉ

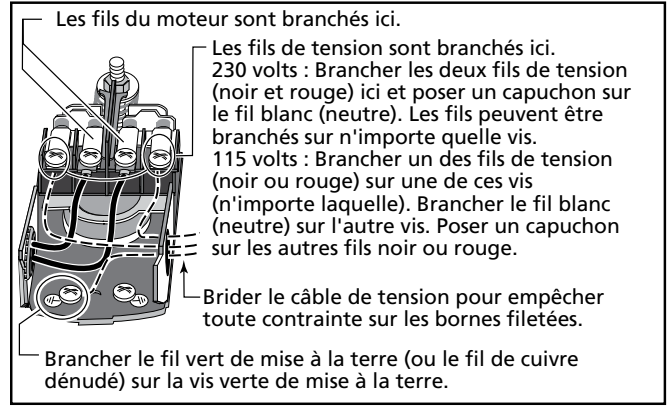
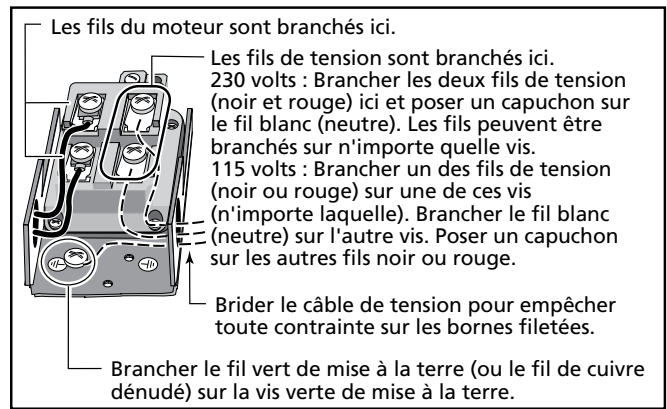
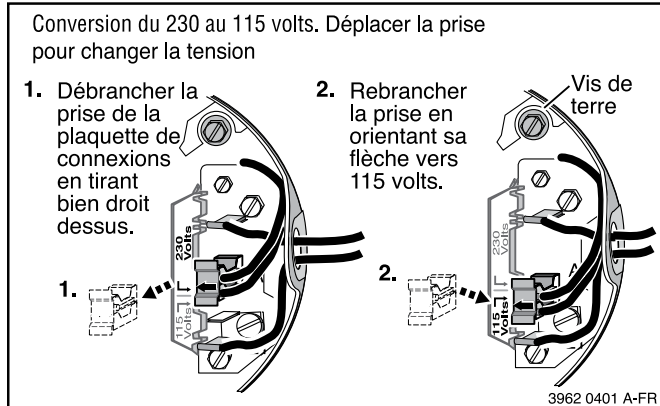
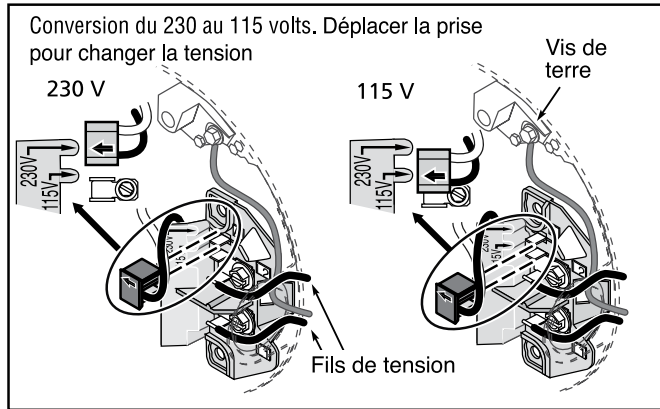


Figure 12 – Connexion des fils du moteur sur le manostat. Faire correspondre la tension du moteur à celle de la tension de ligne.

⚠ AVERTISSEMENT Tension dangereuse. Débrancher le courant électrique avant d'intervenir sur la pompe, le moteur, le manostat ou le câblage.

La plaquette de connexions du moteur (qui se trouve sous le couvercle d'extrémité du moteur) et du manostat ressemblera à une de celles illustrées ci-dessus. Convertir au 115 volts comme il est illustré. Ne pas modifier le câblage du moteur si la tension est de 230 volts ou si le moteur ne fonctionne que sur une tension. Brancher la tension comme il est illustré en fonction du type de manostat et de la tension d'alimentation.

⚠ AVERTISSEMENT Tension dangereuse. Risque de secousses électriques, de brûlures, voire la mort. Brancher le fil de terre avant de brancher les fils de tension. Utiliser des fils de calibre spécifié (y compris le fil de terre) dans le tableau de câblage (page 10). Dans la mesure du possible, brancher la pompe sur un circuit séparé, sur lequel aucun autre appareil ne sera branché.

⚠ AVERTISSEMENT Risque d'explosion. Ne pas mettre à la terre sur une conduite de gaz.

Connexions des fils

⚠ AVERTISSEMENT Risque d'incendie. L'utilisation d'une mauvaise tension risque de causer un incendie ou d'endommager gravement le moteur et d'annuler la garantie. La tension d'alimentation doit correspondre à $\pm 10\%$ de la tension figurant sur la plaque signalétique du moteur.

NOTA : Les moteurs bi-tension sont câblés à l'usine pour fonctionner sur le 230 volts. Au besoin, recâbler le moteur pour qu'il

fonctionne sur le 115 volts, comme il est illustré. Ne pas modifier le câblage des moteurs fonctionnant sur une tension.

Installer la pompe, la mettre à la terre, la câbler et l'entretenir conformément au National Electrical Code (NEC) ou au Code canadien de l'électricité, selon le cas, et conformément à tous les codes et décrets en vigueur de la municipalité. Consulter l'inspecteur des bâtiments de la localité pour plus de renseignements sur les codes.

Méthodes de connexion

1. Brancher tout d'abord le fil de mise à la terre, comme il est illustré à la Figure 12. Le fil de mise à la terre doit être un fil de cuivre massif d'un diamètre au moins aussi gros que le diamètre des fils de tension.
2. Il doit y avoir un raccordement en métal solide entre le manostat et le moteur pour une protection à la terre du moteur. Si le manostat n'est pas branché sur le moteur, brancher la vis verte de mise à la terre du manostat sur la vis verte de mise à la terre qui se trouve sous le couvercle du moteur. Utiliser un fil de cuivre massif ayant un diamètre au moins aussi gros que celui des fils de tension.
3. Brancher le fil de mise à la terre sur le fil de mise à la terre du tableau de distribution, sur un tuyau métallique d'eau enterré, sur le tubage d'un puits en métal ayant au moins 10 pieds (3 mètres) de long, ou sur une électrode de mise à la terre que fournira la compagnie d'électricité.
4. Brancher les fils de tension sur le manostat, comme il est illustré à la Figure 12.

TABLEAU DE CÂBLAGE - Câbles et diamètres des fusibles recommandés

Modèle	Tension	Charge max. en ampères	Fusible intensité en ampères*	Distance en mètres entre le moteur et le courant d'alimentation				
				0 - 30	31 - 61	62 - 91	92 - 122	123 - 152
3PL	115/230	8,8/4,4	15/15	14/14	12/14	10/14	8/14	8/12
5PL	115/230	12,2/6,1	20/15	12/14	10/14	8/14	6/12	6/12
7PL	115/230	14,8/7,4	20/15	12/14	8/14	6/14	6/12	4/10
10PL	115/230	16,2/8,1	25/15	10/14	8/14	6/14	6/12	4/10
10PLS11C	115/230	14,8/7,4	20/15	12/14	8/14	6/14	6/12	4/10
15PLS11C	115/230	16,2/8,1	25/15	10/14	8/14	6/14	6/12	4/10

(*) Il est recommandé d'utiliser des fusibles ou des disjoncteurs temporisés sur le circuit d'un moteur.

FONCTIONNEMENT

Préparations avant le démarrage de la pompe – Puits profond

⚠ ATTENTION Ne jamais faire fonctionner la pompe à sec. Faire fonctionner la pompe sans eau risque de causer une surchauffe de la pompe, d'endommager les joints et, possiblement, causer des brûlures aux personnes qui manipuleront la pompe. Faire le plein d'eau de la pompe avant de la démarrer.

⚠ AVERTISSEMENT Ne jamais faire fonctionner la pompe contre un refoulement fermé, sinon l'eau risque de bouillir à l'intérieur de la pompe, une accumulation dangereuse de pression risque de se produire, un danger d'explosion risque de s'ensuivre et les personnes qui manipuleront la pompe pourront peut-être être ébouillantées.

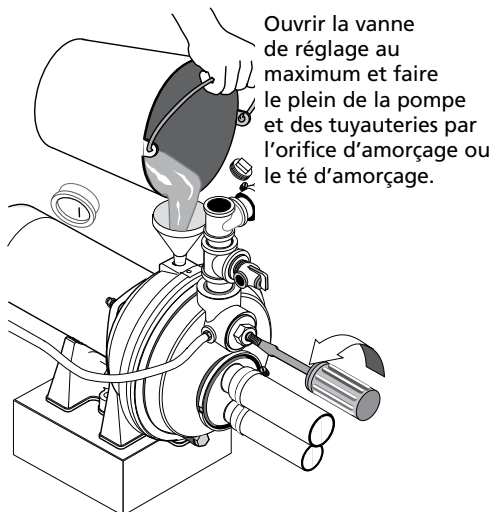


Figure 13 – Remplissage de la pompe

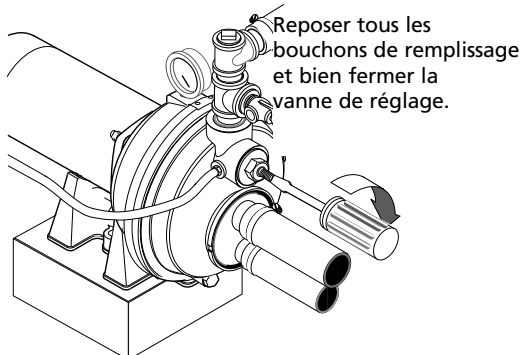


Figure 14 – Amorçage de la pompe

- Ouvrir au maximum la vanne de réglage (voir la Figure 13), déposer le bouchon d'amorçage de la pompe, puis faire le plein de la pompe, de toutes les tuyauteries entre la pompe et le puits et s'assurer que toutes les tuyauteries du puits sont pleines d'eau. Si un té d'amorçage a été posé sur le tuyau d'aspiration, déposer le bouchon du té et faire le plein de la tuyauterie d'aspiration.
- Reposer tous les bouchons de remplissage et fermer complètement la vanne de réglage (voir la Figure 14).
- Établir le courant! Démarrer la pompe et surveiller le manomètre. Au fur et à mesure que la pompe s'amorce, la pression doit rapidement monter jusqu'à 50 lb/po².
- Après 2 ou 3 minutes, le manomètre doit indiquer la pression. Sinon, arrêter la pompe, déposer les bouchons de remplissage, rouvrir la vanne de réglage et refaire le plein de la pompe et des tuyauteries. Il sera peut-être nécessaire de répéter cette opération deux ou trois fois de façon à chasser tout l'air pouvant être emprisonné dans les tuyauteries. Ne pas oublier de refermer la vanne de réglage avant de redémarrer la pompe.
- Lorsque la pression s'est accumulée et stabilisée à environ 50 lb/po², ouvrir lentement la vanne de réglage (voir la Figure 15) et laisser chuter la pression jusqu'à ce que l'aiguille du manomètre commence à osciller. Pendant que l'aiguille oscille, fermer suffisamment la vanne de réglage pour arrêter l'aiguille d'osciller (voir la Figure 15). La pompe fonctionne maintenant à son point le plus efficace.

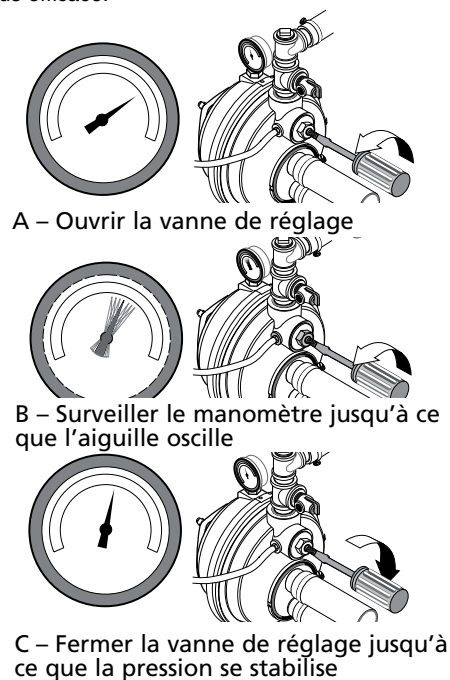


Figure 15 – Régler la vanne de réglage

- Après que la pression se sera accumulée dans le système et que la pompe se sera arrêtée, vérifier le fonctionnement du manostat en ouvrant un ou deux robinets du système; laisser couler suffisamment d'eau pour dissiper la pression jusqu'à ce que la pompe redémarre. La pompe doit redémarrer lorsque la pression chute à 30 lb/po² et s'arrêter lorsque la pression atteint 50 lb/po². Faire fonctionner la pompe pendant un ou deux cycles complets pour confirmer son bon fonctionnement. Ceci permettra également de nettoyer le système de toute la saleté et de tout le tartre qui se seront détachés pendant l'installation.

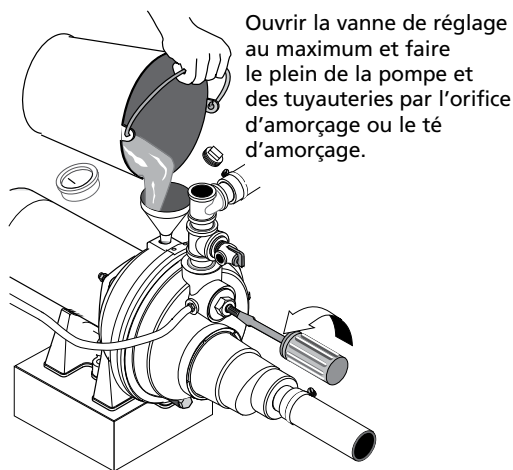
Si l'installation n'est pas réussie, se reporter à la Section Diagnostic des pannes (à la page 10) ou appeler notre personnel technique du service à la clientèle.

Préparations avant le démarrage de la pompe - Puits peu profond

⚠ ATTENTION Ne jamais faire fonctionner la pompe à sec. Faire fonctionner la pompe sans eau risque de causer une surchauffe de la pompe, d'endommager les joints et, possiblement, causer des brûlures aux personnes qui manipuleront la pompe. Faire le plein d'eau de la pompe avant de la démarrer.

⚠ AVERTISSEMENT Ne jamais faire fonctionner la pompe contre un refoulement fermé, sinon l'eau risque de bouillir à l'intérieur de la pompe, une accumulation dangereuse de pression risque de se produire, un danger d'explosion risque de s'ensuivre et les personnes qui manipuleront la pompe pourront peut-être être ébouillantées.

- Ouvrir au maximum la vanne de réglage (voir la Figure 16), déposer l'orifice d'amorçage de la pompe, puis faire le plein de la pompe, de toutes les tuyauteries entre la pompe et le puits et s'assurer que toutes les tuyauteries du puits sont pleines d'eau. Si un té d'amorçage a été posé sur le tuyau d'aspiration, déposer le bouchon du té et faire le plein de la tuyauterie d'aspiration.



284 0395 NF

Figure 16 – Ouvrir la vanne de réglage

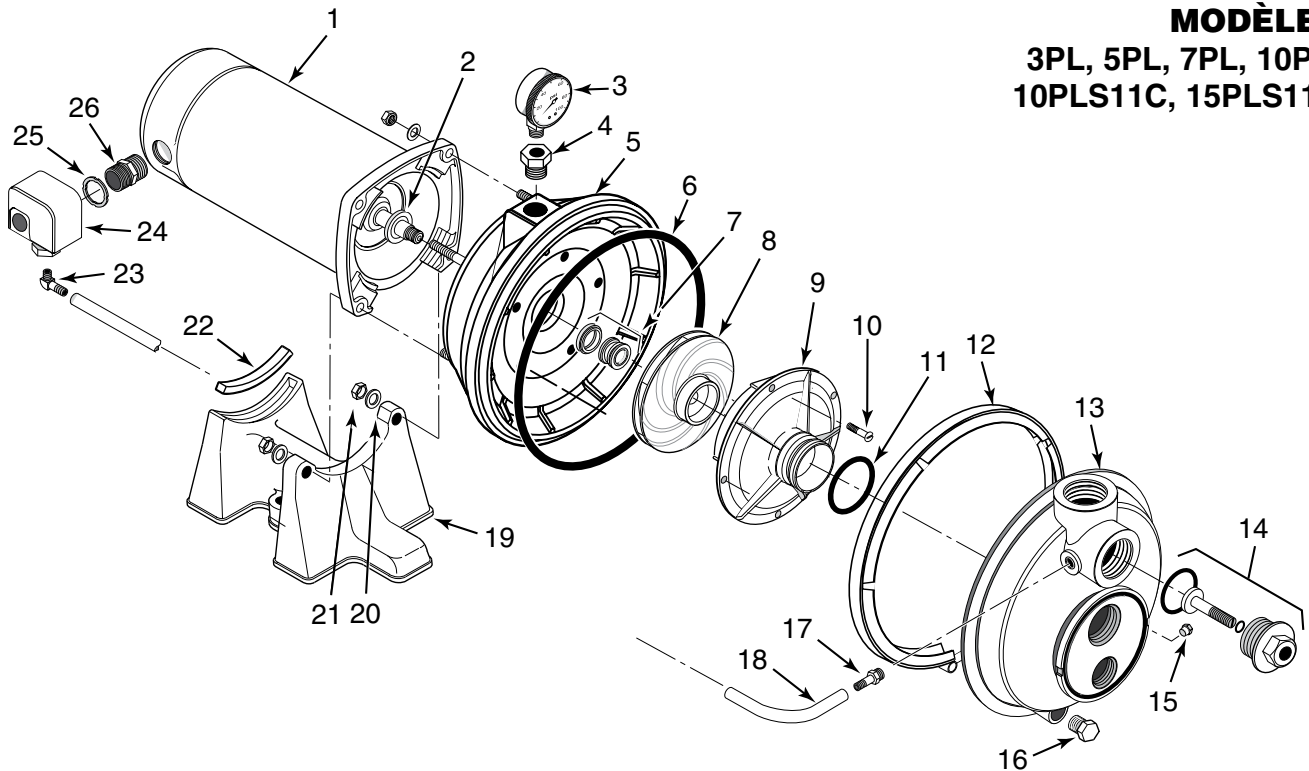
- Reposer tous les bouchons filetés. Laisser la vanne de réglage ouverte (dans les puits peu profonds, la vanne de réglage reste toujours ouverte).
- Établir le contact! Démarrer la pompe. La pompe doit pomper l'eau dans les deux ou trois minutes qui suivent.
- Si la pompe ne pompe pas d'eau dans les 2 ou 3 minutes qui suivent, l'arrêter et déposer les bouchons de remplissage. Faire le plein de la pompe et des tuyauteries. Il faudra peut-être répéter cette opération deux ou trois fois de façon à chasser tout l'air pouvant être emprisonné dans la tuyauterie. La vanne de réglage reste ouverte pendant cette opération.
- Après que la pression se sera accumulée dans le système et que la pompe se sera arrêtée, vérifier le fonctionnement du manostat en ouvrant un ou deux robinets du système; laisser couler suffisamment d'eau pour dissiper la pression jusqu'à ce que la pompe redémarre. La pompe doit redémarrer lorsque la pression chute à 30 lb/po² et s'arrêter lorsque la pression atteint 50 lb/po². Faire fonctionner la pompe pendant un ou deux cycles complets pour confirmer son bon fonctionnement. Ceci permettra également de nettoyer le système de toute la saleté et de tout le tartre qui se seront détachés pendant l'installation.

Si l'installation n'est pas réussie, se reporter à la Section Diagnostic des pannes (à la page 10) ou appeler notre personnel technique du service à la clientèle.

DIAGNOSTIC DES PANNES

Symptômes	Quoi faire :
A. Le moteur ne tourne pas.	<p>A. S'assurer que le sectionneur est sur MARCHE et que le disjoncteur ne s'est pas désenclenché ou que le fusible n'a pas sauté. COUPER LE COURANT D'ALIMENTATION et s'assurer que tous les fils raccordant le moteur au courant d'alimentation et au manoccontacteur sont bien serrés et bien branchés (voir la page 7). Si les remèdes précédents ne permettent pas de résoudre le problème, appeler un spécialiste en puits.</p>
B. Le moteur chauffe et le dispositif de protection contre les surcharges saute.	<p>B. Se reporter aux instructions concernant l'électricité à la page 7 et s'assurer que le moteur est bien câblé. Vérifier auprès de la compagnie qui fournit l'électricité ou les responsables d'hydro pour s'assurer que la tension parvenant à la pompe correspond à $\pm 10\%$ de la tension nominale indiquée sur la plaque signalétique du moteur. DÉBRANCHER LE COURANT D'ALIMENTATION et s'assurer que les fils raccordant le moteur au courant d'alimentation sont du calibre indiqué au Tableau de câblage, de la page 7. Sinon, recâbler conformément aux instructions de la page 7. Si la pompe s'arrête ou redémarre trop fréquemment, se reporter à la Section E ci-dessous.</p>
C. Le moteur fonctionne mais l'eau n'est pas pompée.	<p>C. TOUT D'ABORD, vérifier l'amorçage; c'est-à-dire, que la pompe et que toutes les tuyauteries d'aspiration et du puits sont remplies d'eau. Si elles ne sont pas pleines d'eau, en faire le plein. Par temps froid, s'assurer que les tuyaux et que la pompe n'ont pas gelé. S'ils sont gelés, les dégeler, s'assurer qu'il n'y a pas de tuyaux ni de raccords éclatés. Chauffer la fosse de la pompe ou l'enceinte de la pompe et enterrer toutes les tuyauteries sous la limite du gel. Autres causes possibles (dans ce cas, appeler un spécialiste en pompes si l'on soupçonne une de ces causes): Prises d'air dans la conduite d'aspiration, baisse de niveau d'eau dans le puits, clapet de pied grippé ou bouché, éjecteur bouché, impulseur bouché, clapet de pied ou crépine enfoui dans la boue au fond du puits et pompe pour puits peu profond posée dans un puits dont la profondeur est supérieure à 25 mètres jusqu'à l'eau (dans ce cas, une pompe à éjecteur pour puits profond est requise).</p>
D. La pompe ne pompe pas l'eau à pleine capacité.	<p>D. Causes possibles : Le niveau d'eau dans le puits est inférieur à celui évalué, ce qui rend une combinaison buse/venturi différente obligatoire; tuyauterie en acier (le cas échéant) corrodée ou entartrée, limitant la capacité et augmentant le frottement; ou bien les tuyauteries sont trop petites pour l'installation. Consulter un spécialiste en puits pour toutes ces conditions.</p>
E. La pompe s'arrête et repart trop fréquemment ou bien elle ne s'arrête pas du tout.	<p>E. S'assurer qu'aucun robinet n'a été laissé ouvert. Si le système fonctionne sur un réservoir standard, s'assurer qu'il n'est pas saturé d'eau. Dans l'affirmative, le vider jusqu'au niveau du contrôleur d'air. S'assurer que le contrôleur d'air n'est pas défectueux et qu'aucun raccord n'aspire de l'air. Si le système est branché sur un réservoir préchargé, couper le courant d'alimentation, ouvrir tous les robinets du système et purger toute la pression du réservoir. Utiliser un manomètre pour pneu pour vérifier la pression d'air dans le réservoir. Elle doit être de 2 lb/po² inférieure au réglage d'enclenchement du manoccontacteur, c'est-à-dire que si le manoccontacteur démarre la pompe à 30 lb/po², la précharge doit être de 28 lb/po². S'assurer que la valve ne fuit pas (utiliser une solution savonneuse) et remplacer l'obus au besoin. Si l'on pense qu'une des conditions suivantes existent, consulter un spécialiste en puits : fuites des tuyauteries, fuites du clapet de pied, niveau d'eau dans le puits inférieur à celui évalué, éjecteur ou impulseur bouché.</p>
F. L'air jaillit des robinets.	<p>F. La pompe est peut-être en train de s'amorcer. Lorsque l'amorçage est terminé, tout l'air sera éjecté du système. Si l'on pense que les tuyauteries d'aspiration fuient, qu'il y a des gaz dans le puits, ou que la pompe vide le puits par intermittence (c'est-à-dire qu'elle amène le niveau d'eau plus bas que le clapet de pied, consulter un spécialiste en puits.</p>
G. La pompe fuit autour de serrage.	<p>G. Serrer l'écrou de 1 ou 2 tours. <i>Ne pas trop serrer.</i></p>

MODÈLES
3PL, 5PL, 7PL, 10PL,
10PLS11C, 15PLS11C



Liste des pièces de rechange

Réf.	Description	Qté	3PL	5PL	7PL	10PL	10PLS11C	15PLS11C
1	Moteur	1	A100BHL	A100CHL	A100DHL	A100EHL	A100ELL	A100FLL
2	Défecteur d'eau	1	17351-0009	17351-0009	17351-0009	17351-0009	17351-0009	17351-0009
3	Manomètre	1	U239-3	U239-3	U239-3	U239-3	U239-3	U239-3
4	Manchon réducteur de 1/2 pouce x 1/8 de pouce NPT	1	U78-107PT	U78-107PT	U78-107PT	U78-107PT	U78-107PT	U78-107PT
5	Moitié arrière du corps de la pompe	1	L176-47P	L176-47P	L176-47P	L176-47P	L176-47P	L176-47P
6	Joint torique	1	U9-399	U9-399	U9-399	U9-399	U9-399	U9-399
7	Joint d'arbre	1	U109-6A	U109-6A	U109-6A	U109-6A	U109-6A	U109-6A
8	Impulseur	1	J105-40PE	J105-42PT	J105-8PAN	J105-22PA	J105-8PAN	J105-22PA
9	Diffuseur	1	J1-39P	J1-39P	J1-40P	J1-40PA	J1-40P	J1-40PA
**	Rondelle-frein	5	U43-21SS	U43-21SS	U43-21SS	U43-21SS	U43-21SS	U43-21SS
10	Vis n° 8 - 32 x 7/8 de po de long, acier inoxydable	5	*	*	*	*	*	*
11	Joint torique du diffuseur	1	U9-199	U9-199	U9-199	U9-199	U9-199	U9-199
12	Collier du corps de la pompe	1	C19-54SS	C19-54SS	C19-54SS	C19-54SS	C19-54SS	C19-54SS
13	Moitié avant du corps de la pompe	1	L76-37P	L76-37P	L76-37P	L76-37P	L76-37P	L76-37P
14	Vanne de régulation	1	L162-10PS	L162-10PS	L162-10PS	L162-10PS	L162-10PS	L162-10PS
15	Bouchon fileté de 1/8 de pouce NPT	1	*	*	*	*	*	*
16	Bouchon fileté de 1/4 de pouce NPT	1	*	*	*	*	*	*
17	Raccord cannelé droit de 1/4 de po NPT	1	*	*	*	*	*	*
18	Tube du manostat	1	U37-671P	U37-671P	U37-671P	U37-671P	U37-671P	U37-671P
19	Socle	1	C4-42P	C4-42P	C4-42P	C4-42P	C4-42P	C4-42P
20	Rondelle de 5/16 de pouce, acier inoxydable	4	*	*	*	*	*	*
21	Écrou à six pans de 5/16 de pouce - 18, acier inoxydable	4	*	*	*	*	*	*
22	Support du moteur	1	C35-11	C35-11	C35-11	C35-11	C35-11	C35-11
23	Raccord cannelé coudé de 1/4 de po NPT	1	*	*	*	*	*	*
24	Manostat	1	U217-1216	U217-1216	U217-1216	U217-1217	U217-1216	U217-1217
25	Écrou de 1/2 pouce	1	*	*	*	*	*	*
26	Raccord	1	L43-5C	L43-5C	L43-5C	L43-5C	L43-5C	L43-5C
•	Ensemble d'éjecteur - Puits peu profond	1	BK4875	BK4875	BK4875	BK4875	BK4875	BK4875
•	Ensemble d'éjecteur - Puits profond (4 po de dia.)	1	BK4800	BK4800	BK4800	BK4800	BK4800	BK4800
•	Ensemble d'éjecteur - Puits profond (2 po de dia., 1 seul tuyau)	1	BK4840	BK4840	BK4840	BK4840	BK4840	BK4840

* Articles standard à acheter localement.

• Pas illustrés et pas inclus. À commander séparément.

** Pas illustrés.

Garantie limitée

BERKELEY garantit au consommateur initial (ci-après appelé l'« Acheteur ») que les produits énumérés dans les présentes sont exempts de défaut de matériau et de fabrication pendant la durée des garanties à compter de la durée des garanties indiquées ci-dessous.

Produits	Durée des garanties
Systèmes d'eau :	
Produits de systèmes d'eau — Pompes à éjecteur, petites pompes centrifuges, pompes submersibles et tous les accessoires connexes	<i>Selon le premier terme atteint :</i> 12 mois à compter de la date de la première installation ou 18 mois à compter de la date de fabrication
Réservoirs composites Pro-Source®	5 ans à compter de la date de la première installation
Réservoirs sous pression en acier Pro-Source®	5 ans à compter de la date de la première installation
Réservoirs revêtus d'époxyde Pro-Source®	3 ans à compter de la date de la première installation
Produits de puisard/d'égout/d'effluents	12 mois à compter de la date de la première installation ou 18 mois à compter de la date de fabrication
Agricole/commercial :	
Centrifuges – entraînement par moteur monobloc, monté sur cadre, monté sur SAE, entraînement par moteur à combustion, multiétagé vertical, SSCX, SSHM, pompes pour les matières solides, pompes submersibles pour les matières solides	12 mois à compter de la date de la première installation ou 24 mois à compter de la date de fabrication
Turbines submersibles, diamètre de 6 po et plus grand	12 mois à compter de la date de la première installation ou 24 mois à compter de la date de fabrication

Nos garanties limitée ne s'appliquent pas aux produits ayant fait l'objet de négligence, d'une mauvaise utilisation, d'une mauvaise installation ou d'un manque d'entretien adéquat. Sans aucune limitation des présentes, la garantie des moteurs triphasés submersibles sera nulle et non avenue si ces moteurs sont branchés et fonctionnent sur le courant monophasé par l'intermédiaire d'un déphaseur. Il faut également noter que les moteurs triphasés doivent être protégés par un relais de surcharge tripolaire thermocompensé à déclenchement extrêmement rapide du calibre recommandé, sinon la garantie sera nulle et non avenue.

Le seul recours de l'Acheteur et la seule responsabilité de BERKELEY consistent à réparer ou à remplacer (au choix de BERKELEY) les produits qui se révéleraient défectueux. L'Acheteur s'engage à payer tous les frais de main d'œuvre et d'expédition du produit couvert par sa garantie et de s'adresser au concessionnaire-installateur ayant procédé à l'installation dès qu'un problème est découvert pour obtenir un service sous garantie. Aucune demande de service en vertu de sa garantie ne sera acceptée après expiration de la durée de sa garantie. Ces garanties ne sont pas transférables.

BERKELEY DÉCLINE TOUTE RESPONSABILITÉ POUR TOUT DOMMAGE INDIRECT OU FORTUIT QUEL QU'IL SOIT.

LA GARANTIE LIMITÉE SUSMENTIONNÉE EST EXCLUSIVE ET REMPLACE TOUTES LES AUTRES GARANTIES EXPRESSES ET TACITES, Y COMPRIS, MAIS SANS S'Y LIMITER, LES GARANTIES DE QUALITÉ MARCHANDE ET D'ADAPTATION À UN USAGE PARTICULIER. LA GARANTIE LIMITÉE SUSMENTIONNÉE NE DOIT PAS ÊTRE PROLONGÉE AU-DELÀ DE LA DURÉE PRÉVUE AUX PRÉSENTES.

Certains états, territoires et certaines provinces ne permettent pas l'exclusion ou la limitation des dommages indirects ou fortuits, ni les limitations relatives à la durée des garanties tacites. Par conséquent, il se peut que les limitations ou les exclusions stipulées dans les présentes ne s'appliquent pas dans ce cas. Ces garanties accordent des droits juridiques précis, bien que l'on puisse bénéficier d'autres droits, selon la province, le territoire ou l'état dans lequel on réside.

La présente garantie limitée est entrée en vigueur le 1er juin 2011 et remplace toute garantie non datée ou antérieure à cette date.

Aux États-Unis : BERKELEY, 293 Wright St., Delavan, WI 53115
Au Canada : 269 Trillium Dr., Kitchener, Ontario N2G 4W5

**Modelos 3PL, 5PL, 7PL, 10PL,
10PLS11C, 15PLS11C
Bombas y Sistemas
Convertibles tipo “Jet”****DESCRIPCIÓN**

Las Bombas Convertibles tipo “Jet” anticorrosivas (Números. 3PL, 5PL, 7PL, 10PL, 10PLS11C y 15PLS11C) se pueden adaptar tanto a pozos poco profundos, como a pozos profundos. Usa un eyector para pozo poco profundo (se vende por separado) para alturas de succión de 25 pies o menores, y se puede usar con pozos perforados (recubiertos), puntos de pozo y perforación, cisternas y lagos. Cuando se instala un eyector para pozo profundo, la bomba convertible tipo “Jet” se puede usar en pozos de hasta 110 pies de profundidad (dependiendo del paquete de eyector). La bomba está equipada con un motor de arranque con capacitor y un interruptor de presión de parada automática de 30-50 lib./pulg².

DESEMPAQUE

Abra la caja de cartón y saque la bomba. Verifique que no haya partes sueltas, faltantes o dañadas..

INSTRUCCIONES DE SEGURIDAD**LEA Y SIGA LAS INSTRUCCIONES DE SEGURIDAD!**

⚠ Este es el símbolo de alerta de seguridad. Cuando usted vea este símbolo en su bomba o en este manual, busque alguna de las siguientes palabras de advertencia y esté alerta a la posibilidad de una herida personal.

⚠ PELIGRO Advierte acerca de los peligros que pueden ocasionar lesiones personales serias, la muerte o un daño severo a la propiedad si se ignoran dichos peligros.

⚠ ADVERTENCIA Advierte acerca de los peligros que ocasionarán o podrán ocasionar lesiones personales menores o daños a la propiedad si se ignoran dichos peligros.

⚠ PRECAUCIÓN Advierte acerca de los peligros que ocasionarán o podrán ocasionar lesiones personales menores o daños a la propiedad si se ignoran dichos peligros.

AVISO: Indica instrucciones especiales que son importantes pero no relacionados a los peligros.

Lea y siga cuidadosamente todas las instrucciones de seguridad en este manual y en la bomba.

Mantenga las etiquetas de seguridad en buenas condiciones. Reemplace las etiquetas de seguridad faltantes o dañadas.

Seguridad Eléctrica

⚠ ADVERTENCIA Voltaje peligroso. Puede ocasionar conmoción, quemaduras e incluso la muerte. Conecte la bomba a tierra antes de conectarla a la alimentación de energía antes de trabajar en la bomba, el motor o el tanque.

⚠ ADVERTENCIA El voltaje del capacitor puede ser peligroso. Para descargar el capacitor del motor, tome un desatornillador con mango aislado POR EL MANGO y ponga en corto las terminales del capacitor. No toque la superficie de metal del desatornillador ni las terminales del capacitor. Si tiene alguna duda, consulte a un electricista calificado.

⚠ Conecte el motor al voltaje correcto. Vea la sección “Electricidad” en este manual y la placa del motor.

⚠ Conecte el motor a tierra antes de conectarlo a la alimentación de energía.

⚠ Cumpla con las indicaciones del Código Nacional Eléctrico en EE.UU., el de Canadá y los códigos locales para toda la conexión eléctrica.

⚠ Siga las instrucciones de conexión eléctrica en este manual al conectar el motor a las líneas de energía eléctrica.

Instrucciones de Seguridad

⚠ ADVERTENCIA Presión peligrosa! Instale una válvula de alivio de presión en la tubería de descarga. Libere toda la presión en el sistema antes de trabajar en alguno de los componentes.

⚠ PRECAUCIÓN No toque un motor en operación. Los motores modernos están diseñados para operar a temperaturas altas. Para evitar quemaduras al realizar el servicio a una bomba, déjela enfriar por 20 minutos después de apagarla.

No permita que la bomba o cualquier componente de sistema se congele. Hacerlo invalidará la garantía.

Utilice esta bomba sólo para agua.

Inspeccione la bomba y los componentes del sistema periódicamente. Utilice gafas de seguridad durante todo el tiempo mientras trabaje en la bomba.

El área de trabajo se debe mantener limpia, ordenada y con iluminación adecuada; guarde las herramientas y el equipo que no utilice en el lugar apropiado.

Mantenga a los visitantes a una distancia segura de las áreas de trabajo.

⚠ ADVERTENCIA El cuerpo de la bomba puede explotar si se utiliza como una bomba propulsora a menos que se instale una válvula de alivio que sea capaz de pasar todo el flujo de la bomba a 75 lib./pulg².

Advertencia de la Proposición 65 de California

⚠ ADVERTENCIA Este producto y accesorios relacionados contienen sustancias químicas reconocidas en el Estado de California como causantes de cáncer, malformaciones congénitas y otros daños al sistema reproductivo.

FUNCIONAMIENTO

TABLA I – Tabla de eyector y de desempeño en pozos profundos con tubería doble de 4” - paquete de eyector BK4800

Metros al agua	Modèle 3PL Pression en lb/po ²					Modèle 5PL Pression en lb/po ²				
	20	30	40	50	60	20	30	40	50	60
	LPM con Venturi J32P-24 y Boquilla #54					LPM con Venturi J32P-24 y Boquilla #51				
9,1	37,1	27,3	17,0	8,3	–	37,9	33,3	24,6	15,5	7,9
12,2	31,4	22,0	13,2	5,3	–	34,1	28,4	19,3	11,4	3,8
15,2	26,5	17,0	8,7	–	–	31,4	24,2	15,1	7,6	–
18,3	20,8	12,5	4,9	–	–	25,7	18,9	11,4	3,8	–
21,3	–	–	–	–	–	21,2	15,1	6,8	–	–
24,4	–	–	–	–	–	15,1	9,5	2,8	–	–

TABLA II – De eyector y de desempeño en pozos profundos con tubería sencilla de 2” - paquete de eyector BK4830, BK4840

Metros al agua	Modèle 3PL Pression en lb/po ²				Modèle 5PL Pression en lb/po ²			
	20	30	40	50	20	30	40	50
	LPM con Venturi J32P-24 y Boquilla #54				LPM con Venturi J32P-24 Venturi y Boquilla #54			
9,1	36,7	26,5	17,0	10,6	37,9	32,6	23,5	14,4
12,2	30,7	20,4	12,5	8,7	33,3	27,4	18,2	10,4
15,2	25,4	15,1	9,8	6,4	32,2	22,7	20,8	6,1
					LPM con Venturi J32P-18 Venturi y Boquilla #52			
18,3	14,4	11,0	7,6	4,1	15,9	12,5	9,8	7,2
21,8	12,1	8,7	5,7	2,6	13,6	10,6	7,9	4,9
24,4	–	–	–	–	11,4	8,5	6,1	3,8
27,4	–	–	–	–	9,5	6,6	3,5	2,3
30,5	LPM con Venturi J32P-18 y Boquilla #52				7,6	4,9	2,8	–

TABLA III – Desempeño en pozo poco profundo y tabla de eyectores paquete BK4875

Metros al agua	Modèle 3PL Pression en lb/po ²					Modèle 5PL Pression en lb/po ²				
	20	30	40	50	60	20	30	40	50	60
	LPM con Venturi J32P-72 y Boquilla #51					LPM con Venturi J32P-63 y Boquilla #51				
1,5	36,0	34,8	34,1	4,8	11,4	61,3	59,8	57,9	32,9	4,9
3,0	31,0	30,1	29,5	19,7	8,7	53,8	53,0	52,2	27,3	–
4,6	27,3	25,7	25,7	17,0	6,8	46,2	45,4	44,7	20,1	–
6,1	21,6	21,6	21,6	14,4	–	36,7	36,7	34,8	14,0	–
7,6	16,3	16,3	16,3	12,1	–	27,3	25,7	25,7	–	–

FUNCIONAMIENTO

TABLA IV – Tabla de eyector y de desempeño en pozos profundos con tubería doble de 4” - paquete de eyector BK4800

Metros al agua	Modèle 7PL, 10PLS11C Pression en lb/po ²					Modèle 10PL, 15PLS11C Pression en lb/po ²				
	20	30	40	50	60	20	30	40	50	60
	LPM con Venturi J32P-24 y Boquilla #51					LPM con Venturi J32P-28 y Boquilla #55				
9,1	41,6	37,9	31,8	25,0	18,2	92,7	71,9	50,0	35,6	27,3
12,2	36,3	36,3	27,4	17,0	13,6	71,9	54,8	36,0	28,4	21,2
15,2	36,0	30,7	23,5	17,0	10,4	49,2	36,9	30,1	23,5	16,3
18,3	31,0	25,0	18,9	12,5	7,2	37,9	31,0	29,5	18,2	11,4
21,3	27,3	21,6	15,5	9,5	3,8	31,8	26,5	20,1	13,6	7,6
						LPM con Venturi J32P-22 y Boquilla #53				
24,4	20,4	14,8	11,0	5,7	–	23,5	20,8	16,7	11,0	5,3
27,4	16,0	12,1	7,6	2,8	–	18,9	16,7	12,1	7,2	–
30,5	–	–	–	–	–	13,2	12,1	8,3	4,2	–
33,5	–	–	–	–	–	9,5	8,5	5,7	–	–

TABLA V – De eyector y de desempeño en pozos profundos con tubería sencilla de 2” - paquete de eyector BK4830, BK4840

Metros al agua	Modèle 7PL, 10PLS11C Pression en lb/po ²				Modèle 10PL, 15PLS11C Pression en lb/po ²			
	20	30	40	50	20	30	40	50
	LPM con Venturi J32P-29 y Boquilla #54				LPM con Venturi J32P-29 y Boquilla #54			
9,1	67,4	54,5	40,1	24,2	70,4	59,1	46,6	32,9
12,2	34,8	41,6	28,0	17,8	57,7	46,1	34,8	22,7
15,2	32,2	22,7	14,0	6,1	46,6	34,1	24,2	12,1
	LPM con Venturi J32P-18 y Boquilla #52				LPM con Venturi J32P-29 y Boquilla #54			
18,3	20,8	14,2	14,2	11,4	36,9	26,5	17,8	4,2
	LPM con Venturi J32P-18 y Boquilla #52				LPM con Venturi J32P-18 y Boquilla #52			
21,8	18,9	15,5	12,3	9,5	19,3	16,3	14,0	11,4
24,4	16,3	13,2	10,2	7,6	17,4	14,8	12,3	9,8
27,4	14,2	11,4	8,5	5,7	15,1	12,5	10,4	7,9
30,5	12,3	9,5	6,6	4,2	13,6	11,4	9,1	6,6
33,5	9,5	6,8	4,7	2,6	10,4	8,5	6,6	4,7

TABLA VI – Desempeño en pozo poco profundo y tabla de eyectores paquete BK4875

Metros al agua	Modèle 10PLS11C Pression en lb/po ²					Modèle 15PLS11C Pression en lb/po ²				
	20	30	40	50	60	20	30	40	50	60
	LPM con Venturi N32P-64 y Boquilla #54					LPM con Venturi N32P-65 y Boquilla #51				
1,5	80,1	79,5	78,4	50,0	15,9	99,6	99,2	99,2	80,6	30,3
3,0	71,2	70,8	69,3	42,0	6,4	89,7	88,2	87,8	72,7	13,2
4,6	60,6	59,8	59,4	33,7	–	76,8	76,5	75,7	61,7	–
10,1	48,5	48,1	46,6	21,6	–	61,3	60,6	59,8	42,4	–
7,6	32,2	32,2	32,2	–	–	43,5	42,8	42,8	–	–

ESPECIFICACIONES

HP del motor (3PL).....	1/3
(5PL).....	1/2
(7PL).....	3/4
(10PL).....	1
(10PLS11C).....	1
(15PLS11C).....	1-1/2
Voltios @ 60 Hz.....	115/230
PH del motor.....	1
Cabl. del motor para.....	230V
Ajus. del Int. de Pres.....	30-50 PSI
Alto.....	30 cm
Ancho.....	26 cm
Largo (3PL).....	43 cm
(5PL).....	45 cm
(7PL, 10PLS11C).....	46 cm
(10PL, 15PLS11C).....	48 cm
Ent. de Suc.....	1-1/4"
Desc. de Salida.....	1"
Peso (3PL).....	12,2 kg.
(5PL).....	12,7 kg.
(7PL, 10PLS11C).....	13,6 kg.
(10PL, 15PLS11C).....	16,3 kg.

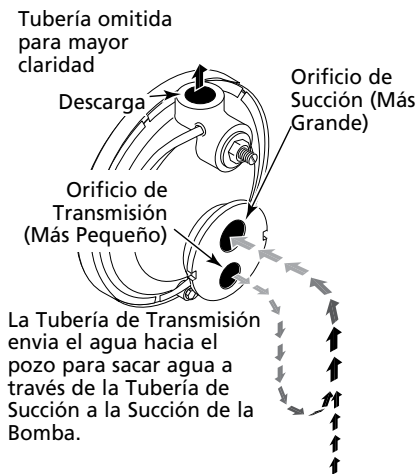


Figura 1 – Funciones de Succión y Transmisión

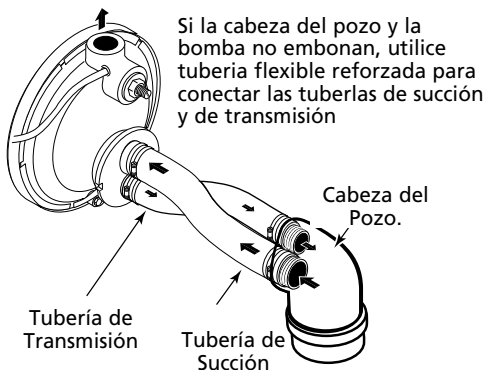


Figura 2 – Conexiones Invertidas hacia el Pozo

INSTALACIÓN

Reemplazo de una Bomba Existente

POZO PROFUNDO

⚠ ADVERTENCIA Voltaje peligroso. Desconecte la alimentación de energía de la bomba antes de trabajar en ella o en el motor.

1. Drene y retire la bomba vieja. Revise las condiciones de la tubería, que no tenga óxido, sarro, etc y reemplácela si es necesario.
2. Si su bomba vieja tiene la tubería de succión (el orificio más grande - vea la Figura 1) debajo del orificio de transmisión, será necesario que instale tubo flexible entre la cabeza del pozo y la bomba para que la conexión sea correcta. (Vea la Figura 2).

AVISO: Es posible que el eyector viejo (en el pozo) no esté conectado adecuadamente a su nueva bomba. Si el desempeño de la bomba no es el adecuado, se recomienda instalar un paquete de eyector Teel apto para su tipo de bomba y pozo.

3. Instale la bomba en el sistema. Asegúrese que todas las conexiones de la tubería de succión estén herméticamente cerradas y sean a prueba de agua. Si la tubería de succión puede succionar aire, la bomba no podrá sacar agua del pozo.
4. Ajuste la altura del montaje de la bomba para que las conexiones de la tubería no ejerzan una tensión sobre el cuerpo de la bomba. Ponga soportes a la tubería para que el cuerpo de la bomba no soporte el peso de la tubería o de las conexiones.

POZO POCO PROFUNDO

⚠ ADVERTENCIA Voltaje peligroso. Desconecte la alimentación de energía de la bomba antes de trabajar en ella o en el motor.

1. Drene y retire la bomba vieja. Revise las condiciones de la tubería, que no tenga óxido, sarro, etc. y reemplácela si es necesario.
2. Instale el kit de eyector Teel modelo 2P431 (se vende por separado). Siga las instrucciones que vienen incluidas en el kit. Asegúrese de alinear el venturi con el orificio superior en la parte frontal de la bomba (Vea la Figura 3).

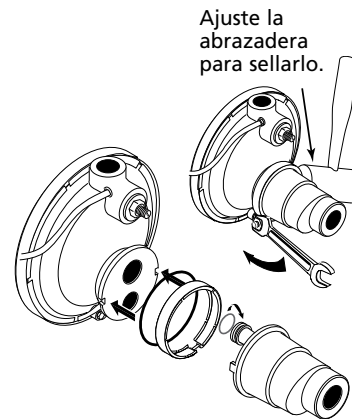


Figura 3 – Monte el Eyector - Pozo Poco Profundo

AVISO: Siempre reemplace el eyector al reemplazar la bomba en una instalación para pozo poco profundo.

3. Instale la bomba en el sistema. Asegúrese que todas las conexiones de la tubería de succión estén herméticamente cerradas y sean a prueba de agua. Si la tubería de succión puede succionar aire, la bomba no podrá sacar agua del pozo.
4. Ajuste la altura del montaje de la bomba para que las conexiones de la tubería no ejerzan una tensión sobre el cuerpo de la bomba. Ponga soportes a la tubería para que el cuerpo de la bomba no soporte el peso de la tubería o de las conexiones.

Nuevo de Poca Profundidad, Instalacion del punto de pozo (Figura 4)

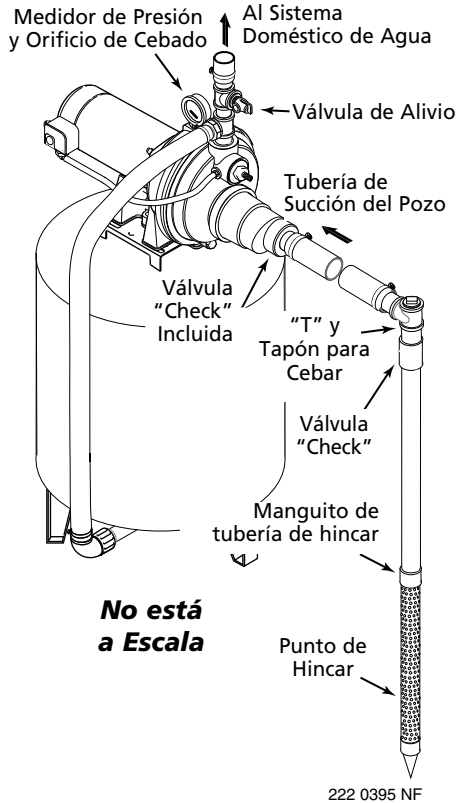


Figura 4 – Instalación del Punto de Hincado

1. Instale el kit de eyector Teel modelo 2P431 (se vende por separado). Siga las instrucciones que vienen incluidas en el kit. Asegúrese de alinear el venturi con el orificio superior en la parte frontal de la bomba (Vea la Figura 3).
2. Hínque el pozo utilizando "manguitos de tubería de hincar" y una "caperuza para la hínca". Las "conexiones para perforar" están roscadas a todo lo largo y permiten que los extremos de la tubería empalmen para que la fuerza de perforación del mazo sea soportada por la tubería y no por el enroscado. Las conexiones ordinarias que se encuentran en las tlapalerías no están roscadas a todo lo largo y se pueden colapsar por el impacto. Las "conexiones de hincado" también son más suaves que las conexiones de plomería comunes y esto facilita la penetración en el suelo.
3. Monte la bomba tan cerca del pozo como sea posible.
4. Utilice el menor número de conexiones posible (especialmente codos) al conectar la tubería desde el punto del pozo al orificio de succión de la bomba. La tubería de succión debe ser por lo menos del mismo tamaño que el orificio de succión en la bomba (incluya una válvula "check" - Vea la Figura 4). Soporte la tubería para que no haya inclinaciones verticales o hundimientos en ella a fin de que no ejerza tensión sobre el cuerpo de la bomba y con el propósito de que no se incline ligeramente hacia arriba desde el pozo hacia la bomba (los puntos altos pueden ocasionar que se formen bolsas de aire que pueden bloquear la bomba). Sellar las juntas de la tubería de aspiración con cinta selladora de PTFE para roscas de tubería en PVC. Las juntas deben ser a prueba de agua y estar herméticamente cerradas. Si la tubería de succión pudiera succionar aire, la bomba no podría sacar agua del pozo. Si un punto de pozo no proporciona suficiente agua, considere la posibilidad de conectar dos o tres puntos de a una tubería de succión.

Instalacion de pozo recubierto con un recubrimiento de 2" o mas (Figura 5)

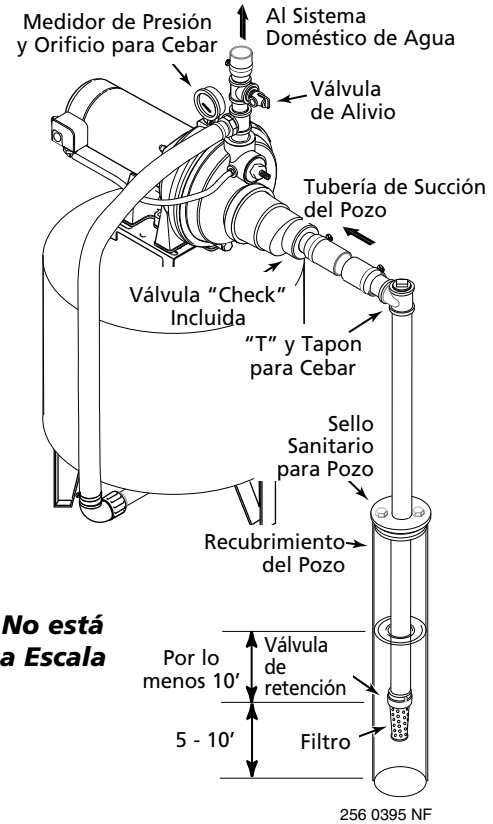


Figura 5 – Instalación de Pozo Recubierto

1. Instale el kit de eyector Teel modelo 2P431 (se vende por separado). Siga las instrucciones que vienen incluidas en el kit. Asegúrese de alinear el venturi con el orificio superior en la parte frontal de la bomba. (Vea la Figura 3).
2. Monte la bomba tan cerca del pozo como sea posible.
3. Instale la válvula de retención, el filtro y la tubería del pozo (Vea la Figura 5). Asegúrese que la válvula de retención funcione libremente.
4. Baje la tubería hacia el pozo hasta que el filtro se encuentre a cinco pies sobre el fondo del pozo. También debe estar a por lo menos 10 pies debajo del nivel de agua del pozo cuando la bomba esté funcionando a fin de evitar que la bomba succione aire. Instale un sello sanitario para pozo.
5. Instale una "T" para cebiar, tapón para cebiar y la tubería de succión a la bomba (Vea la Figura 5). Conecte la tubería del pozo al orificio de succión de la bomba; utilice el menor número de conexiones posible - especialmente codos - ya que las conexiones incrementan la fricción en la tubería. La tubería de succión debe ser por lo menos del mismo tamaño que el orificio de succión en la bomba. Utilizar cinta selladora de PTFE para roscas de tubería sobre las juntas roscadas de la tubería. Soporte la tubería para que no haya inclinaciones verticales o hundimientos en ella a fin de que no ejerza tensión sobre el cuerpo de la bomba y con el propósito de que no se incline ligeramente hacia arriba desde el pozo hacia la bomba (los puntos altos pueden ocasionar que se formen bolsas de aire que pueden bloquear la bomba). Sellar las juntas de la tubería de aspiración con cinta selladora de PTFE para roscas de tubería. Las juntas deben ser a prueba de agua y estar herméticamente cerradas. Si la tubería de succión pudiera succionar aire, la bomba no podrá sacar agua de pozo.

INSTALACION PARA AGUA SUPERFICIAL

1. Instale el kit de eyector Berkely modelo BK4875 (se vende por separado). Siga las instrucciones que vienen incluidas en el kit. Asegúrese de alinear el venturi con el orificio superior en la parte frontal de la bomba (Vea la Figura 6).

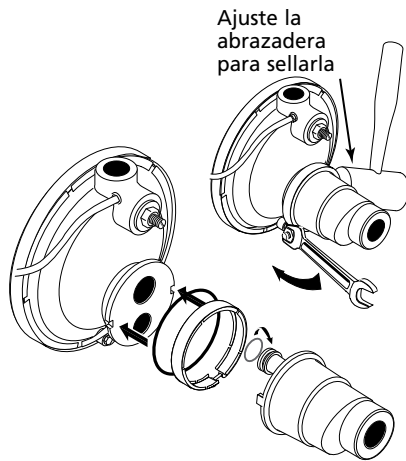


Figura 6 – Instale el Eyector

2. La bomba se debe instalar tan cerca del agua como sea posible, con el menor número posible de conexiones (especialmente codos) en la tubería de succión. La tubería de succión debe ser por lo menos del mismo tamaño que el orificio de succión en la bomba.
3. Instale una válvula de retención y la tubería de succión (Vea la Figura 7). Asegúrese que la válvula de retención funcione libremente. Utilizar cinta selladora de PTFE para roscas de tubería sobre las juntas roscadas de la tubería. Proteja la conexión de la válvula de retención de peces, basura, etc. con la instalación de una malla de alambre a su alrededor (Vea la Figura 7).

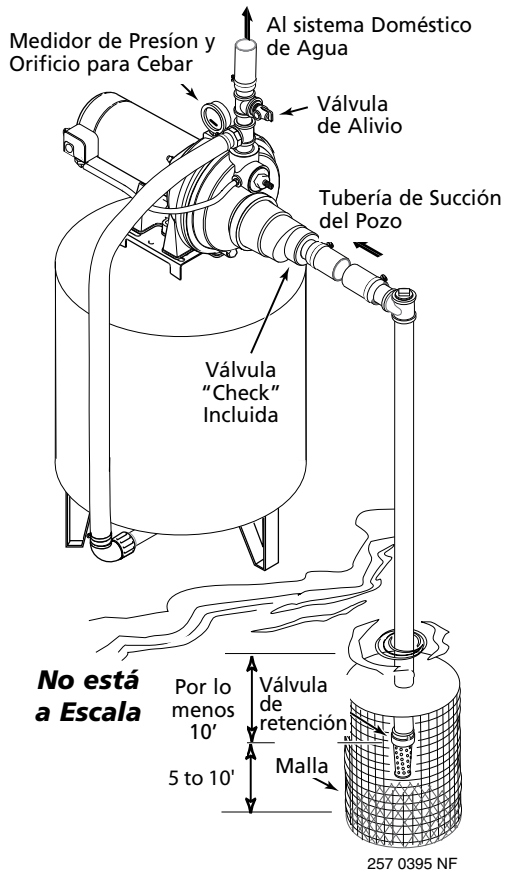


Figura 7 – Instalación para Agua Superficial

4. Baje la tubería hacia el agua hasta que el filtro se encuentre a cinco pies sobre el fondo. También debe estar a por lo menos 10 pies debajo del nivel de agua a fin de evitar que la bomba succione aire.
5. Instale una "T" para cebiar, tapón para cebiar y la tubería de succión a la bomba (Vea la Figura 7). Soporte la tubería para que no haya inclinaciones verticales o hundimientos en ella a fin de que no ejerza tensión sobre el cuerpo de la bomba y con el propósito de que no se incline ligeramente hacia arriba desde el pozo hacia la bomba (los puntos altos pueden ocasionar que se formen bolsas de aire que pueden bloquear la bomba). Sellar las juntas de la tubería de aspiración con cinta selladora de PTFE para roscas de tubería. Las juntas deben ser a prueba de agua y estar herméticamente cerradas. Si la tubería de succión pudiera succionar aire, la bomba no podría sacar agua del pozo.

De un pozo nuevo profundo pozo de 4" ó mas (Figura 8)

1. Arme el kit de eyector Berkeley modelo BK4800 (se vende por separado). Siga las instrucciones que vienen incluidas en el kit para ajustar la boquilla y el venturi a las condiciones de su pozo.
2. Monte la bomba tan cerca del pozo como sea posible.
3. Conecte las dos tuberías (1" la de sondeo, 1-1/4" la de succión) al eyector y baje el eyector hacia el pozo hasta que el filtro se encuentre a cinco pies del fondo. También debe estar a por lo menos 10 pies debajo del nivel de agua del pozo cuando la bomba esté funcionando a fin de evitar que la bomba succione aire.
4. Instale un sello sanitario para pozo y conecte la tubería del eyector a la bomba. Utilice boquillas de acero a través del sello del pozo con tubería flexible de polietileno para evitar aplastar la tubería de plástico al ajustar el sello.
5. Soporte la tubería para que no haya inclinaciones verticales o hundimientos en ella a fin de que no ejerza tensión sobre el cuerpo de la bomba y con el propósito de que no se incline ligeramente hacia arriba desde el pozo hacia la bomba (los puntos altos pueden ocasionar que se formen bolsas de air que pueden bloquear la bomba). Sellar las juntas de la tubería de aspiración con cinta selladora de PTFE para roscas de tubería. Las juntas deben ser a prueba de agua y estar herméticamente cerradas. Si la tubería de succión pudiera succionar aire, la bomba no podrá sacar agua del pozo.

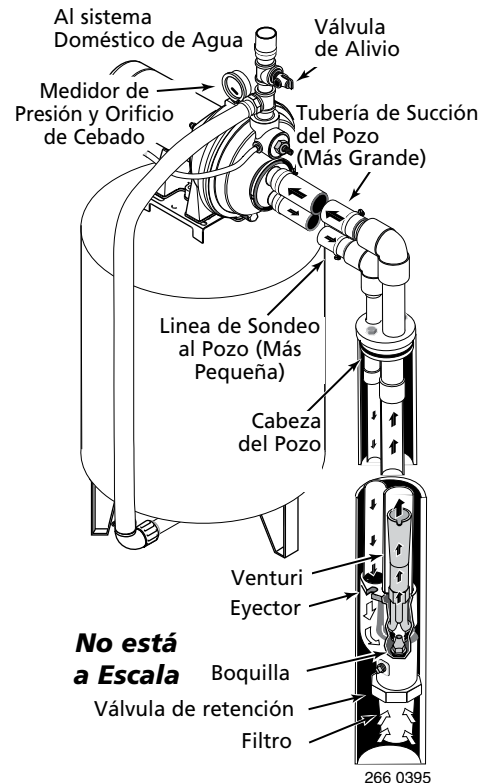


Figura 8 – Pozos Profundos de 4" y Más Grandes

De un pozo nuevo profundo pozo de 2” (Figura 9)

1. Monte la bomba tan cerca del pozo como sea posible.
2. Arme el paquete de eyector Berkeley modelo BK4840 (se vende por separado), la tubería del pozo y el adaptador de la cabeza del pozo siguiendo las instrucciones incluidas en el kit de eyector (Vea la Figura 9). Utilice tubo galvanizado de caída con juntas invertidas para lograr un flujo adecuado. Siga las instrucciones incluidas en el kit para ajustar la boquilla y el venturi a las condiciones de su pozo.
3. Conecte las dos tuberías (una tubería de sondeo más pequeña y una más grande de succión) del pozo a la bomba. Soporte la tubería para que no haya inclinaciones verticales o hundimientos en ella a fin de que no ejerza tensión sobre el cuerpo de la bomba y con el propósito de que no se incline ligeramente hacia arriba desde el pozo hacia la bomba (los puntos altos pueden ocasionar que se formen bolsas de aire que pueden bloquear la bomba). Sellar las juntas de la tubería de aspiración con cinta selladora de PTFE para roscas de tubería. Las juntas deben ser a prueba de agua y estar herméticamente cerradas. Si la tubería de succión pudiera succionar aire, la bomba no podría sacar agua del pozo.

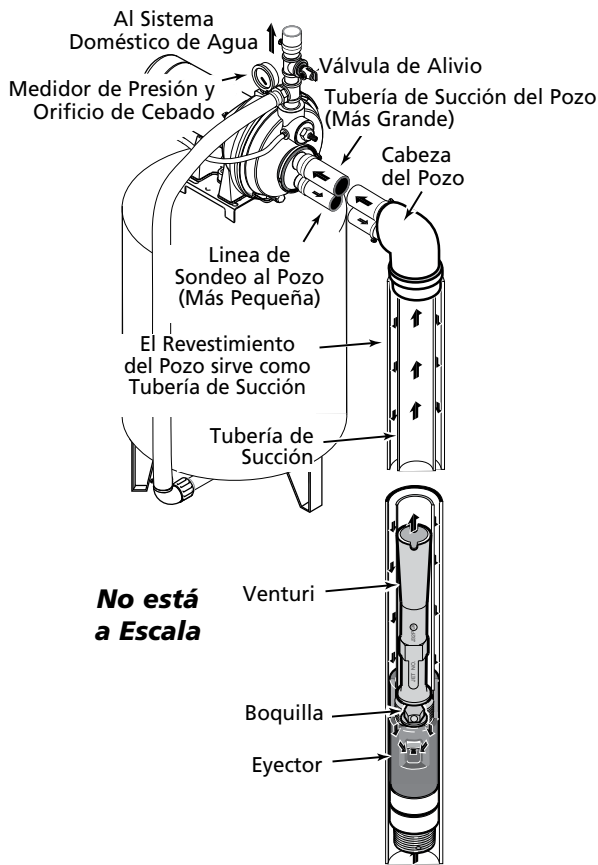


Figura 9 – 2 pulg. (Tubo Sencillo) Pozo Profundo

Tubería de Descarga y Conexiones del Tanque de Presión

CONEXIÓN DE TANQUE DE PRE-CARGA (Figura 10)

1. Instale una boquilla de cierre y una “T” en el orificio de descarga de la bomba (Vea la Figura 10). La tubería debe ser al menos del mismo tamaño que el orificio de descarga. Instale una tubería o una manguera reforzada desde un brazo de la “T” al orificio en el tanque.
2. Instale una segunda boquilla de cierre y una “T” con una válvula de alivio en la “T”.
3. Conecte el otro extremo de la segunda “T” de descarga a un sistema de plomería.

4. Verifique la pre-carga de aire en el tanque con un medidor de aire para neumáticos. La pre-carga debe ser 2 psi menos que el ajuste de cierre del interruptor de presión de la bomba. La pre-carga se mide cuando no haya presión de agua en el tanque. Su nueva bomba tiene un interruptor de 30/50 psi; ajuste la presión de pre-carga del tanque a 28 psi.

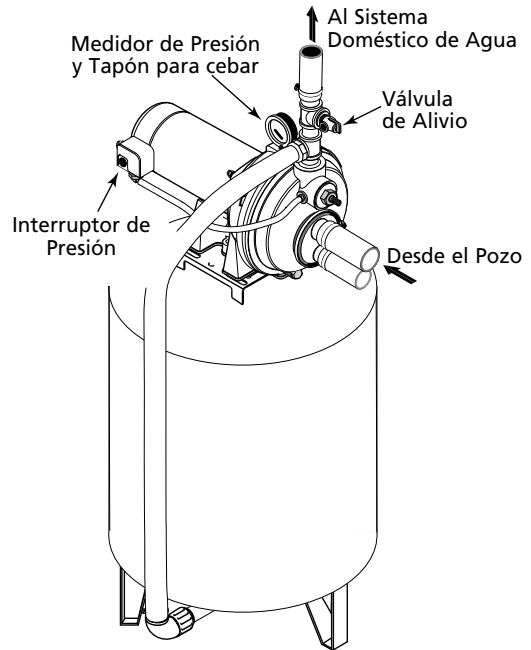


Figura 10 – Conexiones del Tanque Pre-cargado

CONEXIÓN PARA TANQUE ESTÁNDAR (Figura 11)

1. Instale una boquilla de cierre y una “T” en el orificio de descarga de la bomba. Instale una válvula de alivio en un brazo de la “T”.
2. Instale una segunda boquilla de cierre y una “T” en el brazo libre de la primera “T”. Coloque un tapón para cebar en un brazo de la segunda “T”.
3. Instale una tubería desde el brazo abierto de la segunda “T” al orificio de entrada de su tanque. La tubería debe ser al menos del mismo tamaño que el orificio de descarga de la bomba.
4. Retire el tapón de la tubería de 1/8” de NPT del orificio del Control de Volumen de Aire (CVA) de la bomba (Vea Figura 11). Instale una tubería desde el orificio de CVA de la bomba hacia el orificio en el CVA montado en el tanque. Vea mayores detalles en las instrucciones incluidas con el tanque y en el CVA.

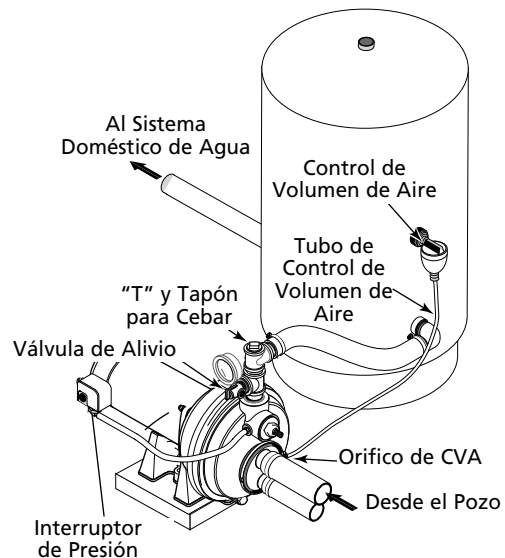


Figura 11 – Conexiones para Tanque Estándar

INSTALACIÓN ELECTRICIDAD

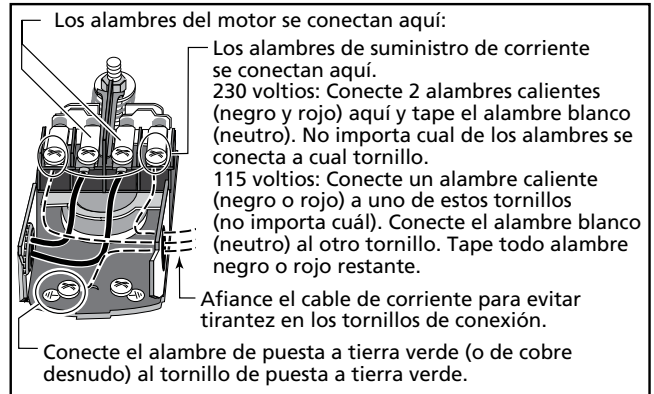
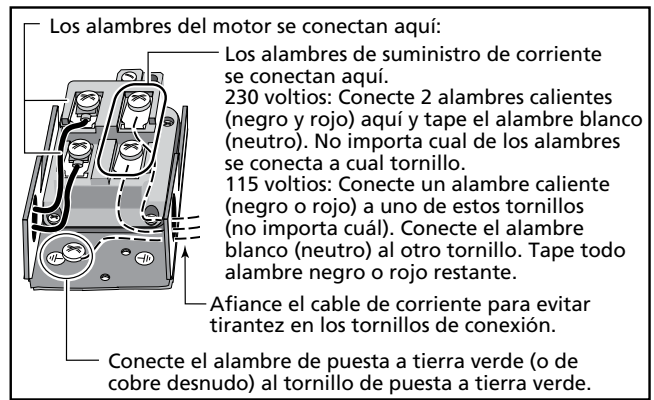
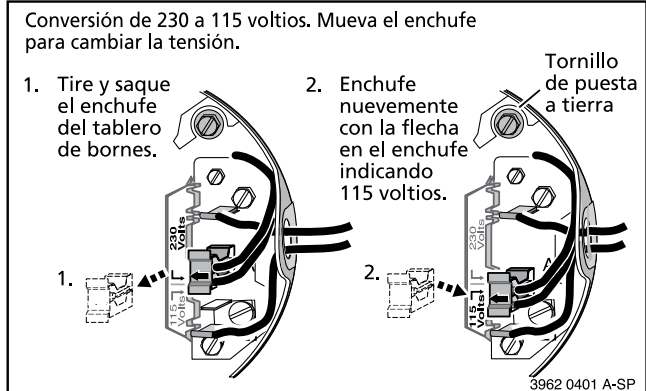
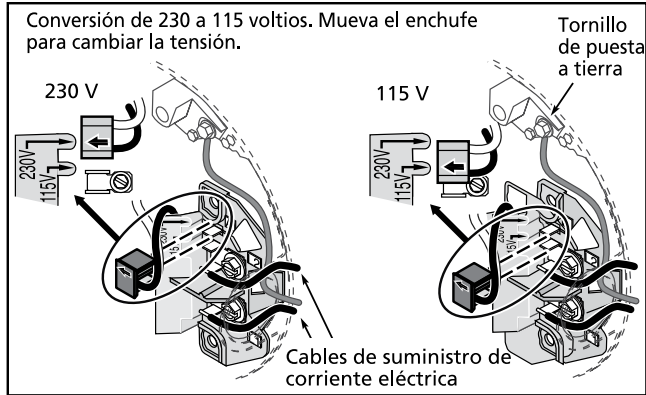


Figura 12 – Conexiones de los cables del motor a través del Conmutador a Presión. La tensión del motor debe ser equivalente a la tensión de la línea.

⚠ ADVERTENCIA Tensión peligrosa. Desconecte la corriente antes de trabajar en la bomba, el motor, el conmutador a presión, o los cables. El Tablero de Bornes del Motor (debajo de la tapa de extremo del motor) y el Conmutador a Presión tienen un aspecto similar a los que aparecen arriba. Convierta a 115 voltios según se ilustra. No cambie los cables del motor si la tensión de línea es de 230 voltios o si tiene un motor de tensión singular. Conecte el suministro de corriente según se ilustra para el tipo de conmutador y tensión de suministro.

⚠ ADVERTENCIA Tensión peligrosa. Puede causar choques, quemaduras o muerte. Conecte el alambre de puesta a tierra antes de conectar los alambres de suministro de corriente. Use el cable del tamaño especificado en la tabla de cableado (incluyendo el alambre de puesta a tierra) (Página 10). Si es posible, conecte la bomba a un circuito separado de derivación sin ningún otro artefacto en el mismo.

⚠ ADVERTENCIA Peligro de explosión. No haga la conexión a tierra en una línea de suministro de gas.

Conexiones de los cables

⚠ ADVERTENCIA Peligro de incendio. Una tensión incorrecta puede causar un incendio o dañar el motor seriamente e invalidará la garantía. La tensión de suministro debe ser entre $\pm 10\%$ de la tensión especificada en la placa de datos del motor.

AVISO: Los motores para doble tensión vienen cableados de fábrica a 230 voltios. Si es necesario, vuelva a conectar el motor para 115

voltios, según se ilustra. No modifique el cableado en los motores de tensión singular.

Instale, ponga a tierra, conecte los alambres y mantenga su bomba conforme al Código Nacional de Electricidad en EE. UU. (NEC) o al Código Canadiense de Electricidad (CEC), según corresponda, y conforme a todos los códigos y normas locales que correspondan. Consulte con su inspector local de construcciones para obtener información sobre los códigos.

Procedimiento para las conexiones:

1. Conecte el alambre de puesta a tierra primero según se ilustra en la Figura 12. El alambre de puesta a tierra debe ser un alambre de cobre sólido por lo menos tan grande como los alambres de suministro de corriente.
2. Debe haber una conexión metálica sólida entre el conmutador a presión y el motor para brindar protección a tierra para el motor. Si el conmutador a presión no está conectado al motor, conecte el tornillo de puesta a tierra verde en el conmutador al tornillo de puesta a tierra verde debajo de la tapa de extremo del motor. Use un alambre de cobre sólido que sea por lo menos tan grande como los alambres de suministro de corriente.
3. Conecte el alambre de puesta a tierra a un alambre conectado a tierra del tablero de servicio, a un tubo metálico para agua subterránea, a un entubamiento metálico para pozos de por lo menos 3 metros (10 pies) de largo, o a un electrodo a tierra suministrado por la empresa de energía o hidroeléctrica.
4. Conecte los alambres de suministro de corriente al conmutador de presión según se ilustra en la Figura 12.

TABLA DE CONEXIONES - CABLES RECOMENDADOS Y TAMAÑOS DE FUSIBLES

Modelo	Voltios	Amp de Carga Máxima	Amp de Rango de Fusible de Derivación*	Distancia en Metros desde el Motor al Suministro de Energía				
				0 - 30	31 - 61	62 - 91	92 - 122	123 - 152
3PL	115/230	8,8/4,4	15/15	14/14	12/14	10/14	8/14	8/12
5PL	115/230	12,2/6,1	20/15	12/14	10/14	8/14	6/12	6/12
7PL	115/230	14,8/7,4	20/15	12/14	8/14	6/14	6/12	4/10
10PL	115/230	16,2/8,1	25/15	10/14	8/14	6/14	6/12	4/10
10PLS11C	115/230	14,8/7,4	20/15	12/14	8/14	6/14	6/12	4/10
15PLS11C	115/230	16,2/8,1	25/15	10/14	8/14	6/14	6/12	4/10

(*) Se recomienda usar fusibles temporizados o disyuntores en todos los circuitos del motor.

OPERATION

Preparación Para Arrancar La Bomba - Pozo Profundo

⚠ PRECAUCIÓN Nunca ponga a funcionar la bomba en seco. Poner a funcionar la bomba sin agua puede ocasionarle sobre calentamiento, dañar el sello y tal vez causar quemaduras a las personas que la estén manejando. Llene la bomba con agua antes de arrancarla.

⚠ ADVERTENCIA Nunca ponga a funcionar una bomba hacia una descarga cerrada. Hacerlo puede ocasionar que el agua en el interior de la bomba ebullicione, produciendo una presión peligrosa en la unidad, riesgo de explosión y posibles quemaduras con el agua a la persona que esté manejando la bomba.

1. Abra la válvula de control lo más que sea posible (Vea la Figura 13). Después retire el tapón de cebado de la bomba y llénela, llenando toda la tubería entre la bomba y el pozo; asegúrese de que toda la tubería en el pozo esté llena. Si también instaló una

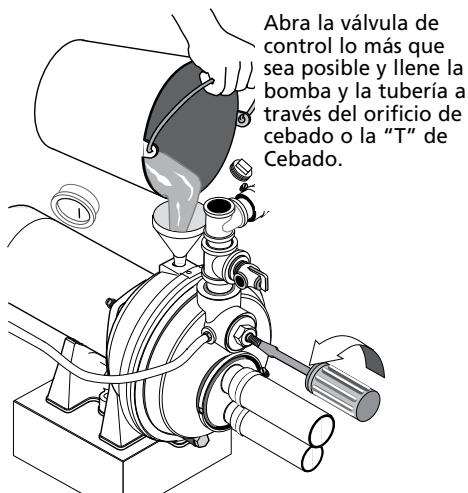


Figura 13 – Llenado de la Bomba

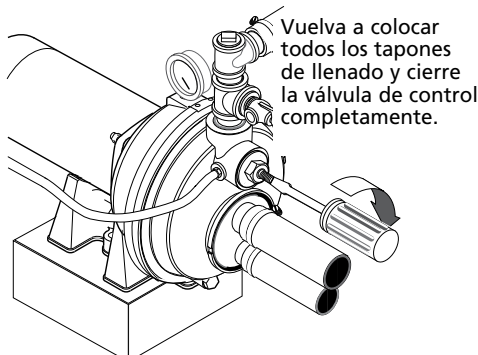
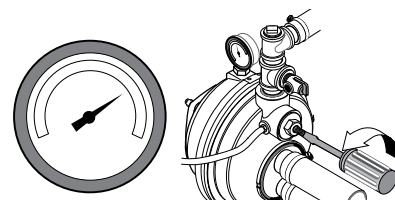


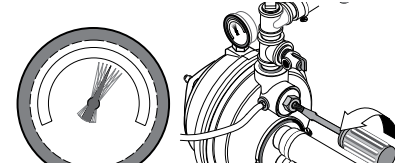
Figura 14 – Bomba de Carga

2. Vuelva a colocar todos los tapones de llenado y cierre la válvula de control completamente (Vea Figura 14).
3. Enciéndala! Arranque la bomba y observe el medidor de presión. La presión debe aumentar rápidamente a 50 psi al irse cargando la bomba.
4. Después de 2 ó 3 minutos, el medidor debe indicar la presión. Si no, pare la bomba, retire los tapones de llenado, vuelva a abrir la válvula de control y vuelva a llenar la bomba y la tubería. Posiblemente tendrá que repetir esto dos o tres veces para sacar todo el aire atrapado en la tubería. No olvide cerrar la válvula de control cada vez antes de encender la bomba.
5. Una vez que la presión haya aumentado y se haya estabilizado en aproximadamente 50 psi, abra lentamente la válvula de control (Vea la Figura 15) y permita que la presión caiga hasta que la aguja del medidor de presión comience a oscilar (Vea la Figura 15). Ahora su bomba está operando en su punto más eficiente.
6. Después de que la bomba ha producido presión en el sistema y esté apagada, verifique la operación del interruptor de presión abriendo una llave o dos y dejando correr suficiente agua para descargar la presión hasta que la bomba arranque. La bomba debe arrancar cuando la presión caiga a 30 psi y se debe detener cuando la presión alcance los 50 psi. Haga funcionar la bomba durando uno o dos ciclos completos para verificar su correcta operación. Esto también le ayudará a limpiar el sistema de polvo y basura producida durante la instalación.

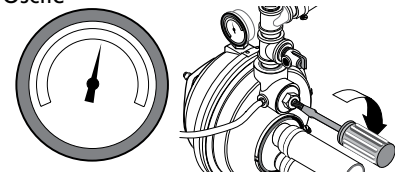
Si usted no tuvo éxito, por favor pase a la sección de Solución de Problemas (Página 10) o llame a nuestro personal técnico de servicio al cliente.



A - Abra la Válvula de Control



B - Observe que el Medidor de Presión Oscile



C - Cierre la Válvula de Control hasta que la Presión se Estabilice

Figura 15 – Fije la Válvula de Control

Preparación para arrancar la bomba - Pozo poco profundo

⚠ PRECAUCIÓN Nunca ponga a funcionar la bomba en seco. Poner a funcionar la bomba sin agua puede ocasionarle sobre calentamiento, dañar el sello y tal vez causar quemaduras a las personas que la estén manejando. Llene la bomba con agua antes de arrancarla

⚠ ADVERTENCIA Nunca ponga a funcionar una bomba hacia una descarga cerrada. Hacerlo puede ocasionar que el agua en el interior de la bomba ebullicione, produciendo una presión peligrosa en la unidad, riesgo de explosión y posibles quemaduras con el agua a la persona que esté manejando la bomba.

1. Abra la válvula de control lo más que sea posible (Vea la Figura 16). Después retire el tapón de cebado de la bomba y llénela, llenando toda la tubería entre la bomba y el pozo; asegúrese de que toda la tubería en el pozo esté llena. Si también instaló una "T" de cebado en la tubería de succión, retire el tapón de la "T" y llene la tubería de succión.



284 0395 NF

Figura 16 – Abra la Válvula de Control

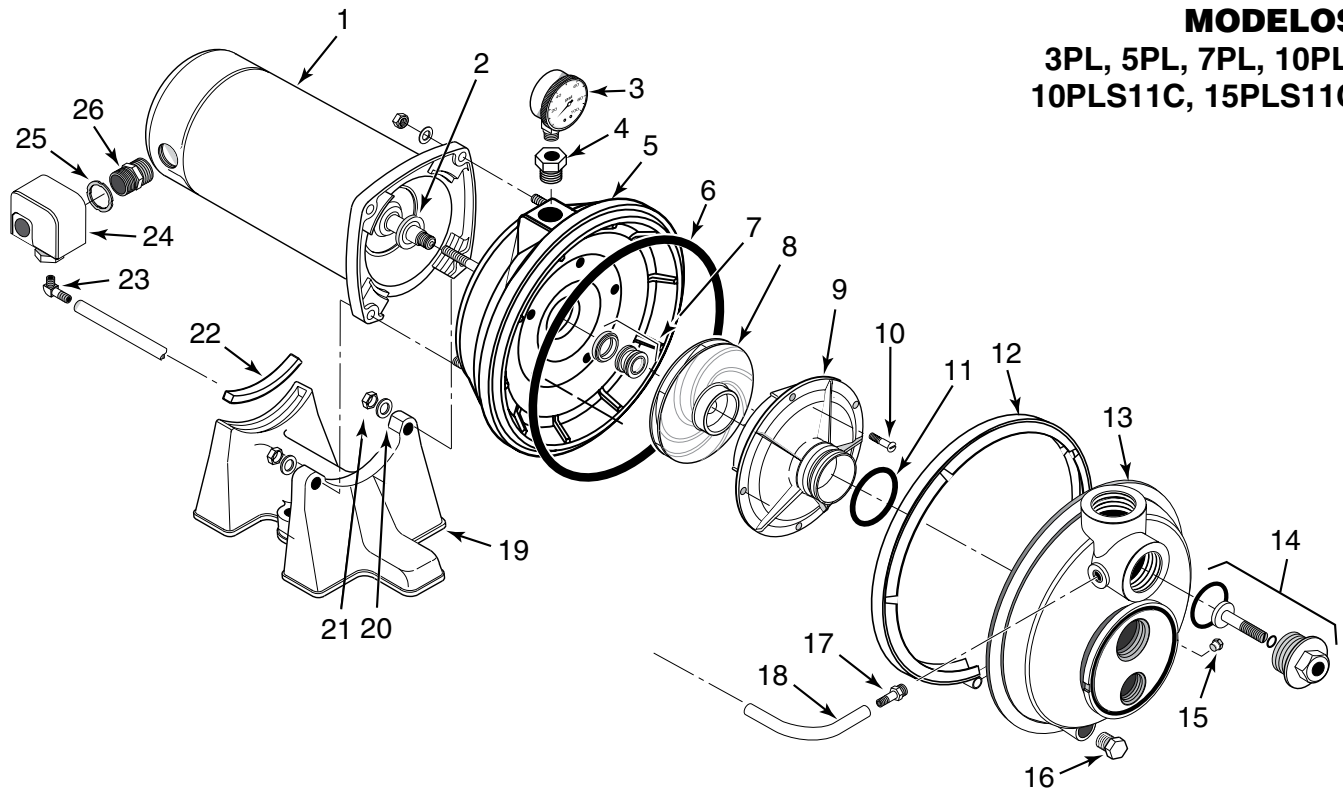
2. Vuelva a colocar todos los tapones de llenado. Deje abierta la válvula de control (en una instalación para pozo poco profundo, la válvula de control siempre debe mantenerse abierta).
3. Enciéndala! Arranque la bomba. La bomba debe bombear agua después de 2 ó 3 minutos.
4. Si no tiene agua después de 2 ó 3 minutos, pare la bomba y retire todos los tapones de llenado. Vuelva a llenar la bomba y la tubería. Posiblemente tendrá que repetir esto dos o tres veces para sacar todo el aire atrapado en la tubería. La válvula de control se debe mantener abierta durante todo el procedimiento.
5. Después de que la bomba ha producido presión en el sistema y esté apagada, verifique la operación del interruptor de presión abriendo una llave o dos y dejando correr suficiente agua para descargar la presión hasta que la bomba arranque. La bomba debe arrancar cuando la presión caiga a 30 psi y se debe detener cuando la presión alcance los 50 psi. Haga funcionar la bomba durando uno o dos ciclos completos para verificar su correcta operación. Esto también le ayudará a limpiar el sistema de polvo y basura producida durante la instalación.

Si usted no tuvo éxito, por favor pase a la sección de Solución de Problemas (Página 10) o llame a nuestro personal técnico de servicio al cliente.

SOLUCIÓN DE PROBLEMAS

Problema	Soluciones
A. El motor no enciende.	<p>A. Verifique si el interruptor está conectado y si el disyuntor no ha saltado o el fusible no se ha quemado.</p> <p>DESCONECTE LA CORRIENTE y asegúrese de que los cables que conectan el motor con la fuente de alimentación y el interruptor de presión están bien conectados (ver página 7).</p> <p>Si las medidas previas no resuelven el problema, llame a un especialista en pozos.</p>
B. El motor se calienta y se produce desconexión por sobrecarga.	<p>B. Lea las instrucciones sobre las conexiones eléctricas de la página 7 y verifique si el motor está cableado como corresponde. Verifique con la compañía de electricidad si la tensión en la bomba está dentro del +/- 10% de la tensión nominal que aparece en la placa de identificación del motor.</p> <p>DESCONECTE LA CORRIENTE y asegúrese de que los cables que conectan el motor con la fuente de alimentación corresponden a lo especificado en la Tabla de conexiones, página 7.</p> <p>Si no corresponden, vuelva a conectar los cables siguiendo las instrucciones de la página 7.</p> <p>Si el ciclo de la bomba es muy frecuente, lea la sección E, más abajo.</p>
C. El motor funciona pero no sale agua.	<p>C. PRIMERO, verifique el cebado; es decir, asegúrese de que la bomba y toda la tubería de succión y la instalada en el pozo tienen agua. Si están vacías, llénelas.</p> <p>Cuando hace frío, asegúrese de que toda la tubería y la bomba no están heladas. Si se hielan, deshiélelas cuidando de que las tuberías ni los accesorios se agrieten. Caliente la cava o la caseta de la bomba y entierre toda la tubería por debajo del límite de congelación.</p> <p>Si sospecha que es una de las causas siguientes, llame a un profesional: entrada de aire en la línea de succión, bajo nivel del agua en el pozo, válvula de pie trabada o tapada, eyector o impulsor tapado, válvula de pie o filtro enlodado en el fondo del pozo, una bomba para pozo de poca profundidad instalada en un pozo con más de 25 pies de profundidad de agua (en estos casos se necesita una bomba Jet).</p>
D. La bomba no suministra agua a toda su capacidad.	<p>D. Las causas posibles son: el nivel del agua del pozo es inferior al estimado y se necesita hacer una combinación de venturi/boquilla diferente; la tubería de acero (si se utiliza) se ha corroído o encalado, restringiendo la capacidad y aumentando la fricción; o la tubería es demasiado pequeña para la instalación. Para cualquiera de estas situaciones consulte a un especialista en pozos.</p>
E. Los ciclos de bombeo son muy frecuentes o la bomba no se detiene.	<p>E. Los ciclos de la bomba son muy frecuentes y no se detienen.</p> <p>Asegúrese de que no se ha dejado ninguna llave abierta. Si el sistema tiene un tanque estándar, asegúrese de que no está anegado. Si lo está, drénelo hasta el nivel del control del volumen de aire. Asegúrese de que el CVA no está defectuoso y de que no hay fugas en las conexiones. Si el sistema tiene un tanque precargado, desconecte la corriente abra todas las llaves y purgue toda la presión del tanque. Use una varilla de medición para verificar la presión de aire del tanque. Dicha presión debería ser 2 PSI inferior a la del ajuste de cierre del interruptor de presión (o sea, si el interruptor de presión hace arrancar la bomba a 30 PSI, la precarga debería estar a 28 PSI). Verifique si la válvula de aire tiene fugas (use una solución jabonosa) y cambie el núcleo si fuera necesario.</p> <p>Si usted sospecha de cualquiera de las situaciones siguientes, llame a un especialista en pozos: pérdidas en los tubos, en la válvula de pie, nivel de agua del pozo inferior al estimado, eyector o eje impulsor tapados.</p>
F. Sale aire de las llaves.	<p>F. La bomba puede estar cebándose; cuando haya terminado de cebarse, no quedará más aire en el sistema.</p> <p>Si sospecha que hay pérdidas en la tubería de succión, gases en el pozo o que la bomba bombea intermitentemente un exceso de agua del pozo (es decir, haciendo que el agua disminuya por debajo del nivel de la válvula de pie) consulte a un profesional.</p>
G. La bomba fugas alrededor de la abrazadera.	<p>G. Apriete la tuerca de la abrazadera 1-2 vueltas. <i>No apriete demasiado.</i></p>

MODELOS
3PL, 5PL, 7PL, 10PL,
10PLS11C, 15PLS11C



LISTA DE PARTES DE REPUESTOS

No. Ref.	Descripción	Cant.	3PL	5PL	7PL	10PL	10PLS11C	15PLS11C
1	Motor	1	A100BHL	A100CHL	A100DHL	A100EHL	A100ELL	A100FLL
2	Filtro de agua	1	17351-0009	17351-0009	17351-0009	17351-0009	17351-0009	17351-0009
3	Manómetro de presión	1	U239-3	U239-3	U239-3	U239-3	U239-3	U239-3
4	Casquillo reductor	1	U78-107PT	U78-107PT	U78-107PT	U78-107PT	U78-107PT	U78-107PT
5	Cuerpo de la bomba, mitad posterior	1	L176-47P	L176-47P	L176-47P	L176-47P	L176-47P	L176-47P
6	O-ring	1	U9-399	U9-399	U9-399	U9-399	U9-399	U9-399
7	Sello del eje	1	U109-6A	U109-6A	U109-6A	U109-6A	U109-6A	U109-6A
8	Impulsor	1	J105-40PE	J105-42PT	J105-8PAN	J105-22PA	J105-8PAN	J105-22PA
9	Difusor	1	J1-39P	J1-39P	J1-40P	J1-40PA	J1-40P	J1-40PA
**	Arandela de seguridad	5	U43-21SS	U43-21SS	U43-21SS	U43-21SS	U43-21SS	U43-21SS
10	Tornillo #8, de 32 x 7/8" de largo, acero inoxidable	5	*	*	*	*	*	*
11	O-ring del difusor	1	U9-199	U9-199	U9-199	U9-199	U9-199	U9-199
12	Abrazadera del cuerpo de la bomba	1	C19-54SS	C19-54SS	C19-54SS	C19-54SS	C19-54SS	C19-54SS
13	Cuerpo de la bomba, mitad delantera	1	L76-37P	L76-37P	L76-37P	L76-37P	L76-37P	L76-37P
14	Válvula de control	1	L162-10PS	L162-10PS	L162-10PS	L162-10PS	L162-10PS	L162-10PS
15	Tapón de tubería de 1/8" NPT	1	*	*	*	*	*	*
16	Tapón de tubería de 1/4" NPT	1	*	*	*	*	*	*
17	Conector con púas recto de 1/4" NPT	1	*	*	*	*	*	*
18	Tubo del interruptor	1	U37-671P	U37-671P	U37-671P	U37-671P	U37-671P	U37-671P
19	Base	1	C4-42P	C4-42P	C4-42P	C4-42P	C4-42P	C4-42P
20	Roldana de 5/16", acero inoxidable	4	*	*	*	*	*	*
21	Tuerca de cabeza hex. de 5/16", acero inoxidable	4	*	*	*	*	*	*
22	Cojinete del motor	1	C35-11	C35-11	C35-11	C35-11	C35-11	C35-11
23	Codo con púas de 1/4" NPT	1	*	*	*	*	*	*
24	Interruptor de presión	1	U217-1216	U217-1216	U217-1216	U217-1217	U217-1216	U217-1217
25	Contratuera de 1/2"	1	*	*	*	*	*	*
26	Conector	1	L43-5C	L43-5C	L43-5C	L43-5C	L43-5C	L43-5C
	• Kit de Eyector - Pozo Poco Profundo	1	BK4875	BK4875	BK4875	BK4875	BK4875	BK4875
	• Kit de Eyector - Pozo Poco Profundo (Pozo de 4" de diámetro)	1	BK4800	BK4800	BK4800	BK4800	BK4800	BK4800
	• Kit de Eyector - Pozo Poco Profundo (Pozo de 4" de tubería sencilla)	1	BK4840	BK4840	BK4840	BK4840	BK4840	BK4840

* Parte convencional, de venta en su localidad.
 • No se muestra y no se incluye. Ordenar por separado.
 ** No ilustrado.

Garantía limitada

BERKELEY le garantiza al comprador/consumidor original (“Comprador” o “Usted”) de los productos enumerados abajo, que estos estarán libres de defectos en material y mano de obra durante el Período de Garantía indicado a continuación.

Producto	Período de garantía
Sistemas de agua:	
Productos de sistemas de agua — bombas de chorro, pequeñas bombas centrífugas, bombas sumergibles y accesorios asociados	<i>lo que ocurra primero:</i> 12 meses desde la fecha de la instalación inicial, o 18 meses desde la fecha de fabricación
Tanques de compuesto Pro-Source®	5 años desde la fecha de la instalación inicial
Tanques a presión de acero Pro-Source®	5 años desde la fecha de la instalación inicial
Tanques con revestimiento epoxídico Pro-Source®	3 años desde la fecha de la instalación inicial
Productos para sumideros/aguas residuales/efluente	12 meses desde la fecha de la instalación inicial, o 18 meses desde la fecha de fabricación
Agrícola/comercial:	
Centrífugas – accionamiento por motor monobloque, montaje sobre el bastidor, montaje sobre SAE, accionamiento por motor, VMS, SSCX, SSHM, pompes pour les matières solides, pompes submersibles pour les matières solides	12 meses desde la fecha de la instalación inicial, o 24 meses desde la fecha de fabricación
Turbinas sumergibles, diámetro de 6” y mayor	12 meses desde la fecha de la instalación inicial, o 24 meses desde la fecha de fabricación

Nuestra garantía limitada no se aplicará a ningún producto que, a nuestro sólo juicio, haya sido sometido a negligencia, mal uso, instalación inadecuada o mal mantenimiento. Sin perjuicio a lo que antecede, la garantía quedará anulada en el caso en que un motor trifásico se haya usado con una fuente de alimentación monofásica, a través de un convertidor de fase. Es importante indicar que los motores trifásicos deben estar protegidos por relés de sobrecarga de disparo extra-rápido, con compensación ambiental de tres etapas, del tamaño recomendado, de lo contrario, la garantía quedará anulada.

Su único recurso, y la única obligación de BERKELEY es que BERKELEY repare o reemplace los productos defectuosos (a juicio de BERKELEY). Usted deberá pagar todos los cargos de mano de obra y de envío asociados con esta garantía y deberá solicitar el servicio bajo garantía a través del concesionario instalador tan pronto como se descubra un problema. No se aceptará ninguna solicitud de servicio bajo garantía que se reciba después del vencimiento del Período de Garantía. Esta garantía no se puede transferir.

BERKELEY NO SE HARÁ RESPONSABLE DE NINGÚN DAÑO CONSECUENTE, INCIDENTAL O CONTINGENTE.

LAS GARANTÍAS LIMITADAS QUE ANTECEDEN SON EXCLUSIVAS Y EN LUGAR DE TODA OTRA GARANTÍA EXPLÍCITA E IMPLÍCITA, INCLUYENDO, PERO SIN LIMITARSE A LAS GARANTÍAS IMPLÍCITAS DE COMERCIALIZACIÓN E IDONEIDAD PARA UN FIN ESPECÍFICO. LAS GARANTÍAS LIMITADAS QUE ANTECEDEN NO SE EXTENDERÁN MÁS ALLÁ DEL PERÍODO DE DURACIÓN INDICADO EN LA PRESENTE.

Algunos estados no permiten la exclusión o limitación de daños incidentales o consecuentes o de limitaciones de tiempo sobre garantías implícitas, de modo que es posible que las limitaciones o exclusiones que preceden no correspondan en su caso. Esta garantía le otorga derechos legales específicos y es posible que usted también tenga otros derechos que pueden variar de un estado al otro.

Esta Garantía Limitada entra en vigor el 1 de junio de 2011 y sustituye toda garantía sin fecha o garantía con fecha anterior al 1 de junio de 2011.

En los EE.UU: BERKELEY, 293 Wright St., Delavan, WI 53115
En Canadá: 269 Trillium Dr., Kitchener, Ontario N2G 4W5

