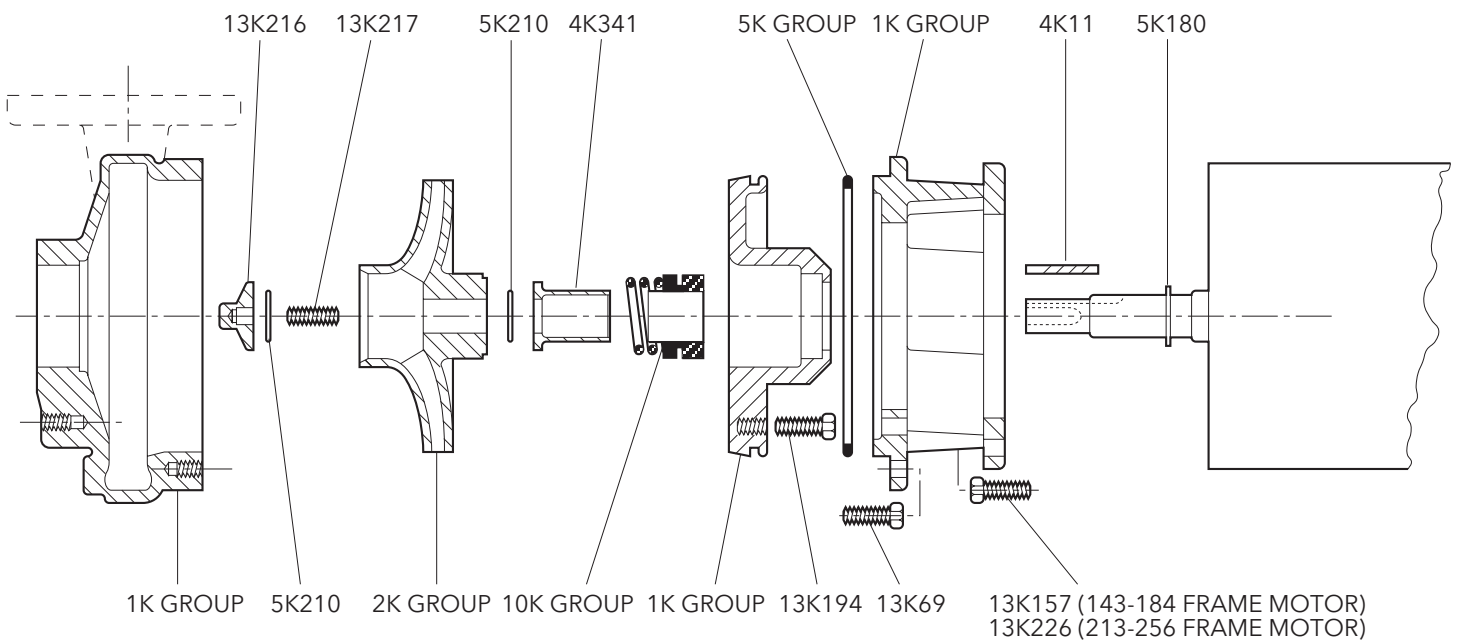


3657/3757 REPAIR PARTS



Note: For S-Group Power Frame individual parts, see S-Group Power Frame repair parts page (RSPFRAME).

IMPELLERS

Part No.	Part Name	Material	Pattern No.
1K212	Casing 1½ x 2-6	316 SS	59184
1K213	Casing 2 x 3-7	316 SS	59185
1K214	Casing 1½ x 2-8	316 SS	59186
1K215	Seal housing 1½ x 2-6	316 SS	59181
1K216	Seal housing 2 x 3-7	316 SS	59182
1K217	Seal housing 1½ x 2-8	316 SS	59183
1K220	Motor adapter 1½ x 2-6 143-184 FR	C.I.	59176
1K221	Motor adapter 1½ x 2-6 213-215 FR	C.I.	59177
1K222	Motor adapter 2 x 3-7 143-184 FR	C.I.	59178
1K223	Motor adapter 2 x 3-7 213-254 FR	C.I.	59179
1K224	Motor adapter 1½ x 2-8 143-184 FR	C.I.	59180
1K225	Motor adapter 1½ x 2-8 213-256 FR	C.I.	59187
4K341	Shaft sleeve	316 SS	
4K11	Impeller key	Steel	
5K206 5K193	O-ring - 2 x 3-7	Viton EPR	
5K207 5K194	O-ring - 1½ x 2-6	Viton EPR	
5K205 5K192	O-ring - 1½ x 2-8	Viton EPR	
5K210 5K195	O-ring - impeller	Viton EPR	
5K180	O-ring - shaft deflector	BUNA	
10K27	Mechanical seal - standard duty and high temperature	Carbon/sil car - 316 SS/viton	
10K19	Mechanical seal - standard duty	Carbon/sil car - 316 SS/EPR	
10K64	Mechanical seal - severe duty	Sil car/sil car - 316 SS/Viton	
13K157	Hex cap screw - adapter to motor 143-184 FR adapter to seal housing and casing - all	304 SS	
13K216	Impeller nut	316 SS	59192
13K217	Impeller stud	Steel	
13K226	Hex cap screw - adapter to motor- 213-256 FR	304 SS	

Group	Part No.	Diameter - HP/Enclosure
1½ x 2 - 6	2K297	6" 5 HP ODP - 1.15 SF and 5 HP TEFC - 1.25 SF
	2K298	5⅝" 5 HP TEFC - 1.0 SF
	2K299	5¼" 3 HP ODP - 1.15 SF and 3 HP TEFC - 1.25 SF
	2K300	4¾" 3 HP TEFC - 1.0 SF
2 x 3-7	2K301	7" 20 HP ODP and 20 HP TEFC - all
	2K302	6¾" 15 HP ODP - 1.15 SF and 15 HP TEFC - 1.25 SF
	2K303	6⅝" 15HP TEFC - 1.0 SF
	2K304	5 ¹⁵ / ₁₆ " 10 HP ODP - 1.15 SF and 10 HP TEFC - 1.25 SF
	2K305	5½" 10 HP TEFC - 1.0 SF
	2K306	5⅜" 7½ HP ODP - 1.15 SF and 7½ HP TEFC - 1.25 SF
	2K307	5 ¹ / ₁₆ " 7½ HP TEFC - 1.0 SF
	2K308	4⅝" 5 HP ODP - 1.15 SF and 5 HP TEFC 1.25 SF
	2K309	4⅜" 5 HP TEFC - 1.0 SF
	2K310	3⅞" 3 HP ODP - 1.15 SF and 3 HP TEFC 1.25 SF
1½ x 2 - 8	2K311	8 ¹ / ₁₆ " 25 HP ODP 1.15 SF and 20 HP TEFC 1.25 SF
	2K312	7¾" 20 HP ODP 1.15 SF
	2K313	7½" 15 HP TEFC 1.25 SF and 20 HP TEFC 1.0 SF
	2K314	7¼" 15 HP ODP 1.15 SF
	2K315	7" 15 HP TEFC 1.0 SF
	2K316	6½" 10 HP TEFC 1.25 SF
	2K317	6¼" 10 HP ODP 1.15 SF
	2K318	6" 7½ HP TEFC 1.25 SF and 10 HP TEFC 1.0 SF
	2K319	5⅞" 7½ HP ODP 1.15 SF
	2K320	5½" 7½ HP TEFC 1.0 SF
	2K321	5¼" 5 HP ODP 1.15 SF and 5 HP TEFC 1.25 SF

Xylem Inc.

2881 East Bayard Street Ext., Suite A, Seneca Falls, NY 13148

Phone: (800) 453-6777 Fax: (888) 322-5877

www.gouldswatertechnology.com

