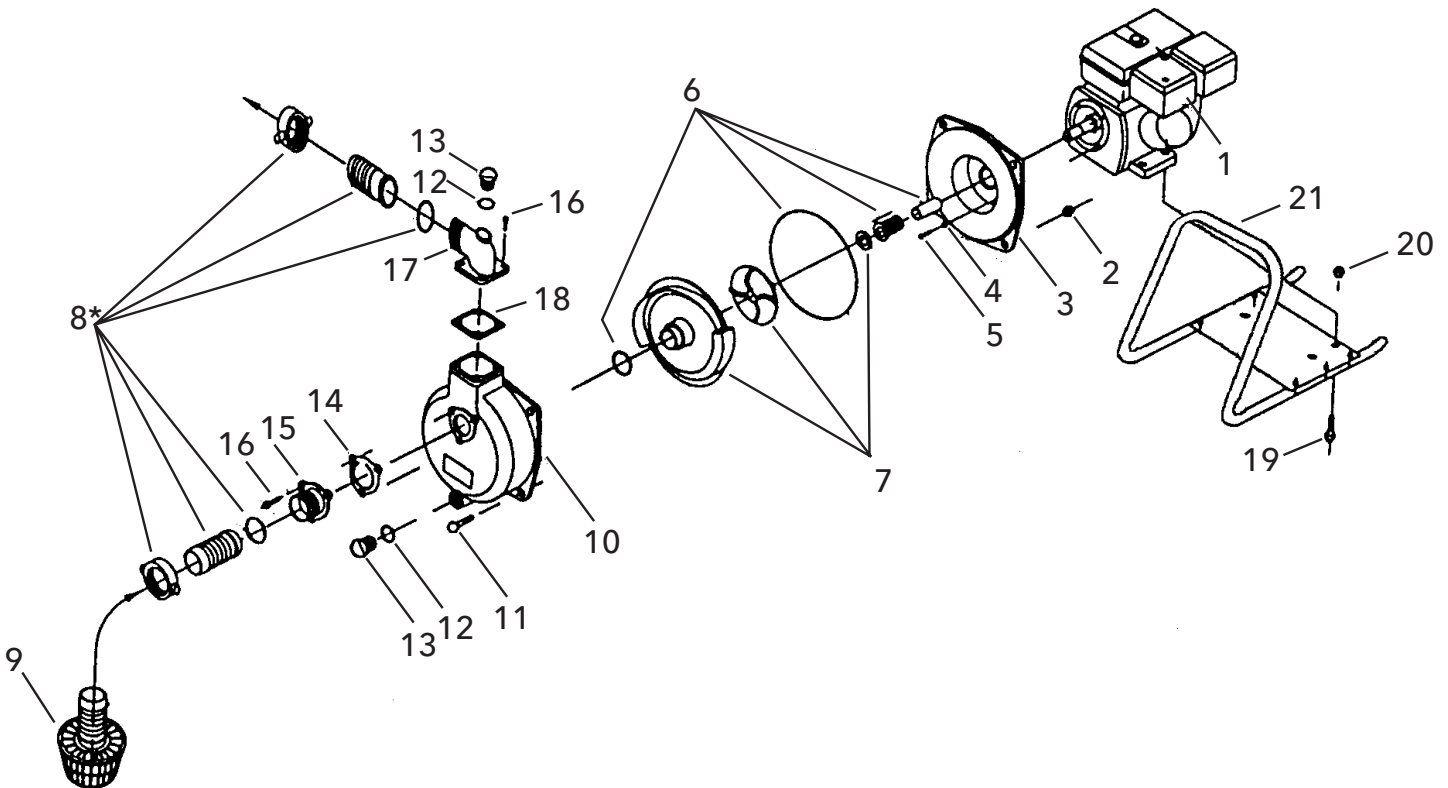


AU REPAIR PARTS



Item	Part Description	Before SN-J051171U	After SN-J051171U	Part No. 3"	Quantity		
		Part No. 2"	Part No. 2"				
1	Engine - 4.5 HP		16K1		1		
	Engine - 6.0 HP		16K2				
2	Locknut - 3/8" - 16		16K3		4		
3	Engine adapter		16K4		1		
4	Aluminum washer - 5/16"		16K5		4		
5	Bolt - 5/16" - 24 x 3/4"		16K6		4		
6	Seal assembly		16K7		1		
	Shaft sleeve				1		
	O-ring housing				1		
	O-ring volute				1		
7	Impeller		16K8	16K9	1		
	Volute						
	Impeller shim: 010, 020, 030						3
8	Hose mounting nipple		16K10*	NA	NA		
	Hose mounting nut (BSP)						2
	Hose mounting gasket						2
9	Suction strainer		16K71	16K72	1		
10	Pump housing		16K12	16K13	1		
11	Bolt - 3/8" - 16 x 1 1/2"		16K14		4		
12	O-ring, drain/filler plug		16K15	16K16	2		
13	Drain/fill plug with o-ring		16K17	16K18	2		
14	Flapper valve		16K19	16K20	1		
15	Suction flange	16K21* (BSP)	16K128 (NPT)	16K22 (NPT)	1		
16	Bolt - 5/16" - 18" x 7/8"		16K23	16K24	7		
17	Discharge elbow	16K25* (BSP)	16K129 (NPT)	16K26 (NPT)	1		
18	Discharge gasket		16K27	16K28	1		
19	Bolt - 5/16" - 18" x 1 1/2"		16K29		4		
20	Lock nut - 5/16" - 18		16K30		4		
21	Cradle assembly		16K31		1		

* BSP threaded flange no longer available.

Xylem Inc.

2881 East Bayard Street Ext., Suite A, Seneca Falls, NY 13148

Phone: (800) 453-6777 Fax: (888) 322-5877

www.gouldswatertechnology.com

