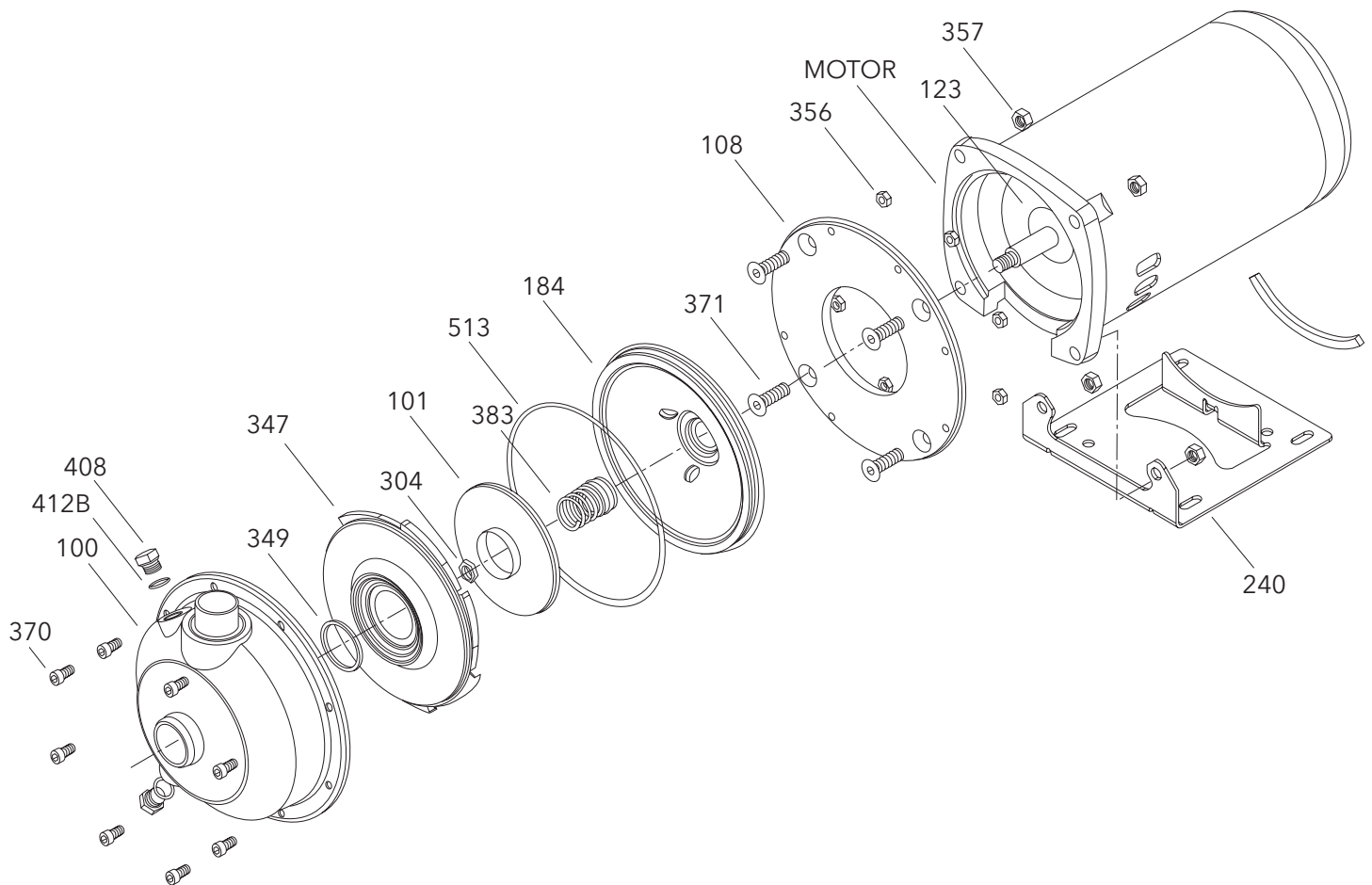


# MCS REPAIR PARTS

REPAIR PARTS / RMCS R3



### MECHANICAL SEAL and O-RING

0 = Pre-Engineered Standard. For Optional Mechanical Seal modify catalog order no. with Seal Code listed below.

John Crane Mechanical Seal (5/8" seal)						
Seal Code	Rotary	Stationary	Elastomers	Metal Parts	Part No.	Casing O-Ring
0	Carbon	Ceramic	BUNA	18-8SS	10K10	BUNA
2		Sil-Carbide	EPR	316 SS	10K18	EPR
4			Viton		10K55*	Viton
5	EPR		10K81		EPR	
6	Viton		10K62		Viton	

\*Replaces obsolete 10K24.

### MCS STANDARD REPAIR PARTS LIST

Item No.	Description	Materials of Construction	1MS 1 x 1¼	2MS 1¼ x 1½	3MS 1½ x 2	Quantity
100	Casing	AISI 316L SS	1L81	1L82	1L83	1
101	Impeller		See Impeller chart on page 4			
108	Motor adapter (mounting plate)	Aluminum	1K336			
123	Deflector	BUNA-N	5K7			
184A	Seal housing standard	AISI 316L SS	1L79			
240	Motor support (feet)	300 SS	4K450			
	Rubber channel	Rubber	9K188			
	Rubber channel	Rubber**	9K286			
304	Impeller locknut	AISI 316 SS	13K286			
347	Guidevane	AISI 316L SS	3L23	3L24	3L25	
349	Seal ring, guidevane	Viton	5K269	5K270		
		EPR	5K273	5K274		
		BUNA	5K271	5K272		
356	Nut, casing	AISI 300 SS	13K269			8
357	Nut, motor		13K262			4
370	Socket head screw, casing	AISI 410 SS	13K268			8
371	Bolts, motor	Steel	13K287			4
383	Mechanical seal		See Mechanical Seal Chart Numbering System			1
408	Drain and vent plug, casing	AISI 316 SS	6L3			2
412B	O-ring, drain plugs	Viton, standard	5L99			
		EPR	5L80			
		BUNA	5L62			
513	O-ring, casing (square cut)	Viton	5K206			1
		EPR	5K193			
		BUNA standard	5K4			

**Note:** \*\*Used on all single phase ODP units ½ - 2 HP.

### MCS STANDARD IMPELLERS for pumps built after January 6, 2020

Impeller Code	Pump Size					
	1 x 1¼ - 6		1¼ x 1½ - 6		1½ x 2 - 6	
	Diameter	Part No.	Diameter	Part No.	Diameter	Part No.
A	6⅛	2K1203			5⅛	2K1401
B	5¾	2K1202	6	2K1392	5	2K1402
C	5⅓	2K1201	5¾	2K1393	4¾	2K1403
D	4¾	2K1200	5⅓	2K1394	4½	2K1404
E	4⅔	2K1199	5	2K1395	4⅜	2K1405
F	4	2K1211	4⅞	2K1396	4	2K1406
G			4⅝	2K1397	3⅝	2K1407
H			4¼	2K1398		
J			4	2K1399		

**\*Please Note:** Interchangeable with impellers used on pumps built prior to January 6, 2020. Performance has changed. Please reference Technical Brochure & Performance Comparison.

### MCS CLOSE-COUPLED MOTORS 3500 RPM

HP	Single-Phase, 60 Hz, 115/230 V**, 56Y Frame					
	Open, Drip-Proof			Totally Enclosed, Fan Cooled		
	Order Number	Maximum Amps	Weight (lbs.)	Order Number	Maximum Amps	Weight (lbs.)
½	SFE04853S	10.2/5.1	24	SFE04821S	9.4/4.7	30
¾	SFE05853S	13.4/6.7	26	SFE05821S	12.2/6.1	33
1	SFE06853S	14.0/7.0	27	SFE06821S	15.2/7.6	37
1½	SFE07853S	20.0/10.0	28	SFE07821S	14.4/8.7	40
2	SFE08854S	21.0/10.5	30	SFE08821S	10.0	42
3	SFE09854S	15.2	36	SFE09821S	13.8	48
5	SFE10754S	22.0	48			

**Note:\*\*** 2 HP TEFC and all 3 and 5 HP Single-Phase motors are 230 V only.

HP	Three-Phase, 60 Hz, 208-230/460 V, 56Y Frame					
	Open, Drip-Proof			Totally Enclosed, Fan Cooled		
	Order Number	Maximum Amps	Weight (lbs.)	Order Number	Maximum Amps	Weight (lbs.)
½	SFE04873S	2.6/1.3	19	SFE04876S	2.6/1.3	20
¾	SFE05873S	3.4/1.7	25	SFE05876S	3.4/1.7	21
1	SFE06873S	4.0/2.0	26	SFE06876S	4.0/2.0	23
1½	SFE07878S	5.6/2.8	28	SFE07876S	5.4/2.7	35
2	SFE08874S	6.4/3.2	34	SFE08876S	6.6/3.3	36
3	SFE09874S	9.0/4.5	34	SFE09876S	9.8/4.9	40
5	SFE10774S	14.4/7.2	46			

# Xylem |'zīləm|

- 1) The tissue in plants that brings water upward from the roots;
- 2) a leading global water technology company.

We're a global team unified in a common purpose: creating advanced technology solutions to the world's water challenges. Developing new technologies that will improve the way water is used, conserved, and re-used in the future is central to our work. Our products and services move, treat, analyze, monitor and return water to the environment, in public utility, industrial, residential and commercial building services settings. Xylem also provides a leading portfolio of smart metering, network technologies and advanced analytics solutions for water, electric and gas utilities. In more than 150 countries, we have strong, long-standing relationships with customers who know us for our powerful combination of leading product brands and applications expertise with a strong focus on developing comprehensive, sustainable solutions.

**For more information on how Xylem can help you, go to [www.xylem.com](http://www.xylem.com)**



Xylem Inc.  
Phone: (866) 673-0428  
Fax: (888) 322-5877  
[www.xylem.com/goulds](http://www.xylem.com/goulds)

Goulds is a registered trademark of Goulds Pumps Inc. and is used under license.  
© 2020 Xylem Inc. RMCS R3 July 2020