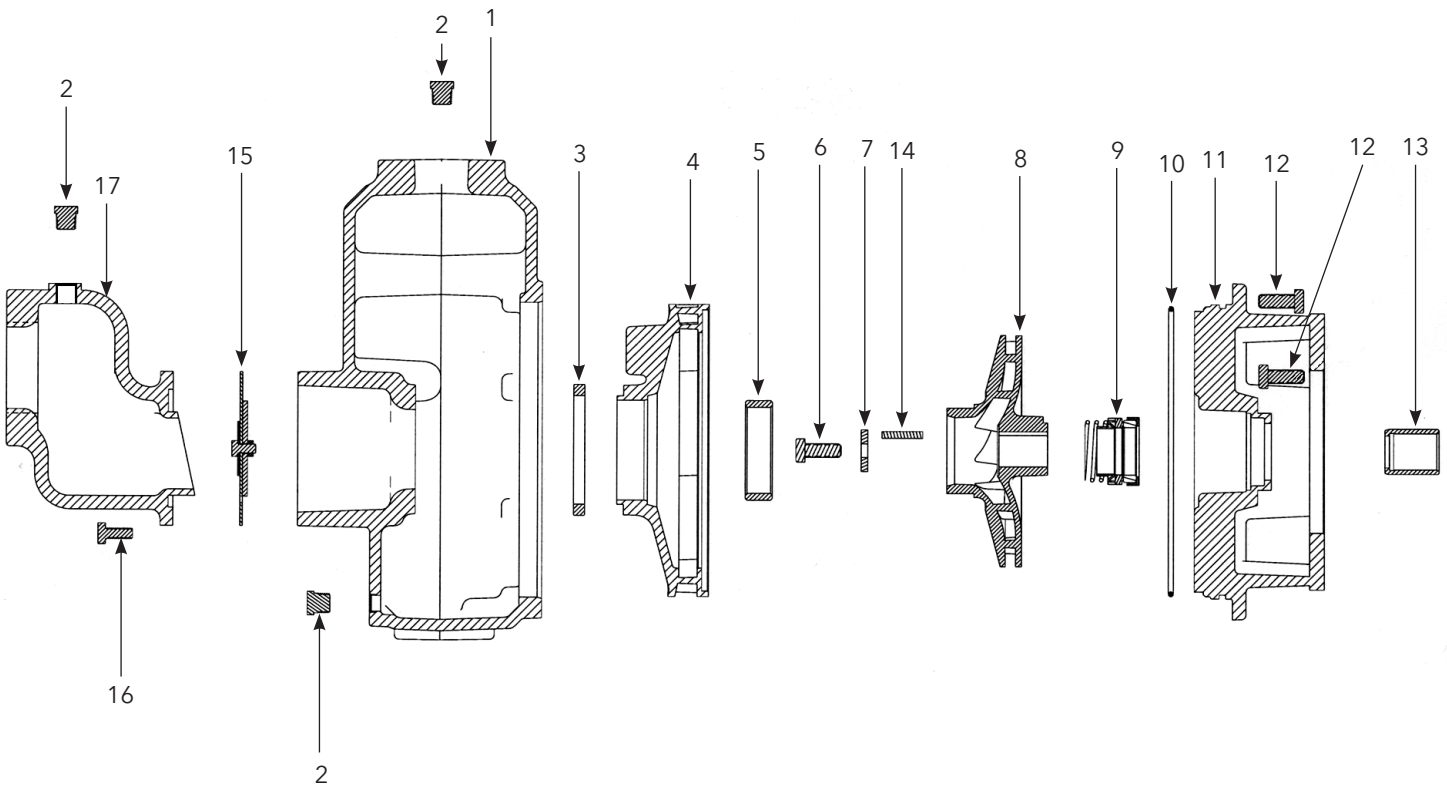


Prime Line[®] SP

REPAIR PARTS

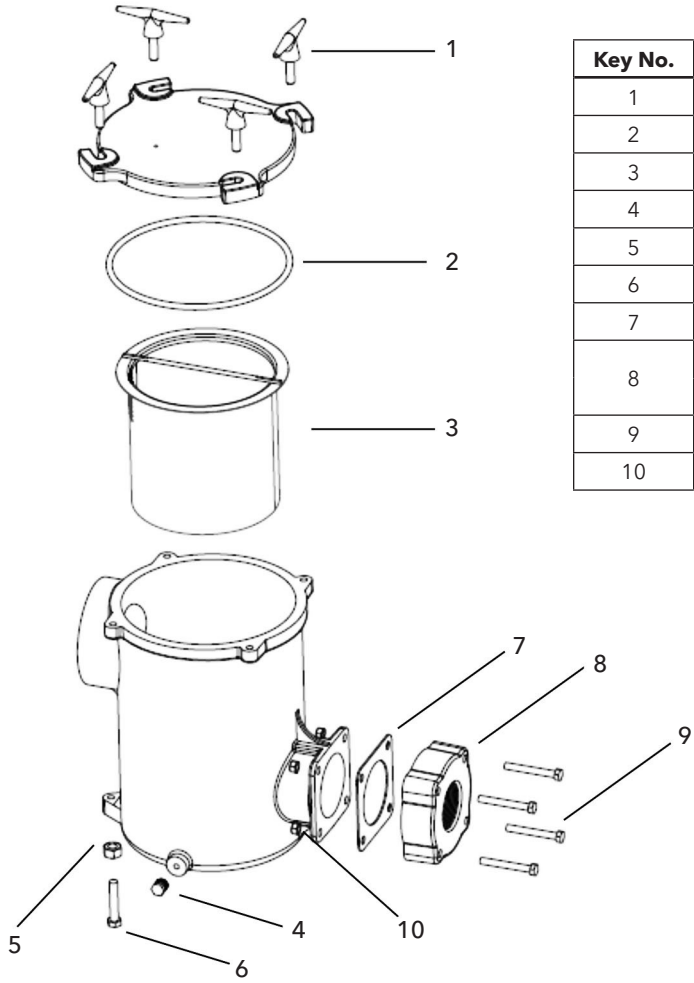


Location	Description	Repair Part	Quantity	
1	Case 1 ½" NPT	1K502	1	
	Case 2" NPT	1K503		
	Case 2 ½" NPT	1K504		
2	Pipe Plug ¼" NPT	Suction Flange	1	
		Case	2	
3	Diffuser Seal Ring	5K380	1	
4	Diffuser - High Head	3K77	1	
	Diffuser - Medium Head	3K78		
5	Casing Wear Ring	4K68	1	
6	Impeller Screw	13K43	1	
7	Impeller Washer	13L39	1	
8	Impeller - High Head	5 HP	2K1019	1
		3 HP	2K153	
	Impeller - Medium Head	5 HP	2K1025	
		3 HP	2K1024	
9	Mechanical Seal	See chart below		
10	O-Ring	5K74	1	
11	Motor Adapter - 140/180 FR	1K114	1	
12	Hex Head Cap Screw .38 - 16 UNC .88 Lg	Case	8	
		Motor	4	
13	Shaft Sleeve	4K66	1	
14	Key - Square End	4K11	1	
15	Check Valve Assembly	15K55	1	
16	Hex Head Cap Screw .31 - 18 UNC .75 Lg	13K108	4	
17	Suction Flange	1" NPT	1K506	1
		2 ½" NPT	1K507	
		3" NPT	1K508	
Not pictured	Motor Shims 0.75"*	13K248	4	
Not pictured	Motor Shims 1.75"*	13K346	4	

*Shimming requirements will vary depending upon motor selection. Confirm with measurement or contact technical support for assistance.

Mechanical Seal Options

Seal Code	Rotary	Stationary	Elastomers	Metal Parts	Part No.
0	Carbon	Ceramic	BUNA	316SS	10K13
3					10K27
5	Sil-Carbide	Sil-Carbide	Viton		10K64



Key No.	Part Description	Part No.	Quantity
1	T-Handle	6K214	4
2	Lid O-ring	5K526	1
3	Strainer Basket	15K106	1
4	Pipe Plug, 1/4"	6K2	1
5	Hex Nut, 3/8-16	13K89	1
6	Cap Screw, 3/8-16 x 2	13K450	1
7	Suction Gasket	5K527	1
8	Strainer Adapter, 2"	1K1111	1
	Strainer Adapter, 3"	1K1112	1
9	Cap Screw, 5/16-18 x 2-1/2	13K387	4
10	Hex Nut, 5/16-18	13K460	4

Xylem |'zīləm|

- 1) The tissue in plants that brings water upward from the roots;
- 2) a leading global water technology company.

We're a global team unified in a common purpose: creating advanced technology solutions to the world's water challenges. Developing new technologies that will improve the way water is used, conserved, and re-used in the future is central to our work. Our products and services move, treat, analyze, monitor and return water to the environment, in public utility, industrial, residential and commercial building services, and agricultural settings. With its October 2016 acquisition of Sensus, Xylem added smart metering, network technologies and advanced data analytics for water, gas and electric utilities to its portfolio of solutions. In more than 150 countries, we have strong, long-standing relationships with customers who know us for our powerful combination of leading product brands and applications expertise with a strong focus on developing comprehensive, sustainable solutions.

For more information on how Xylem can help you, go to www.xylem.com

Xylem Inc.

2881 East Bayard Street Ext., Suite A, Seneca Falls, NY 13148

Phone: (800) 453-6777 Fax: (888) 322-5877

www.gouldswatertechnology.com

